

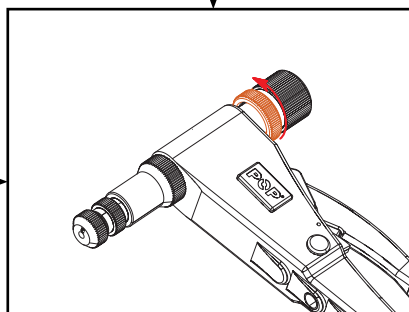
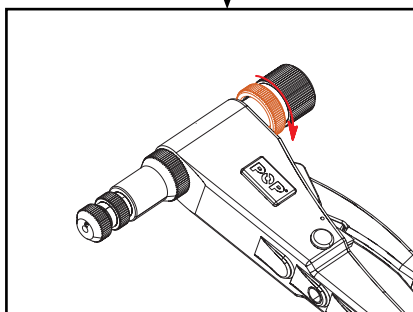
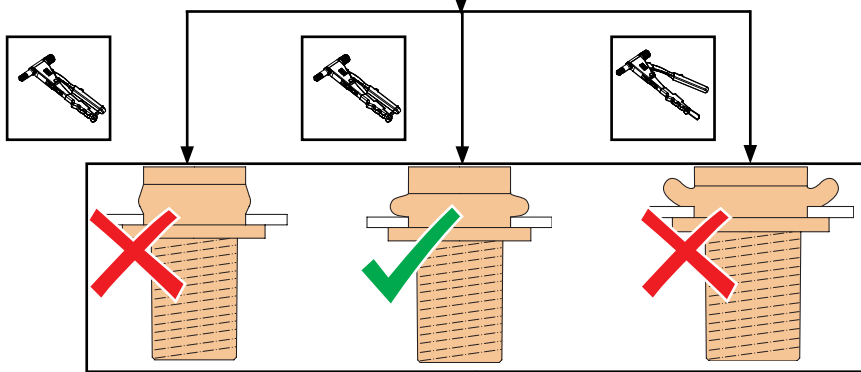
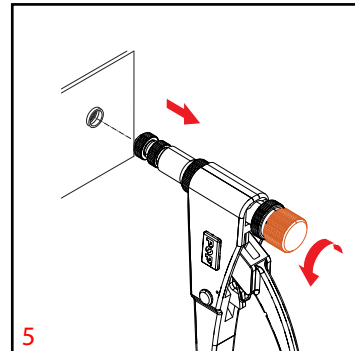
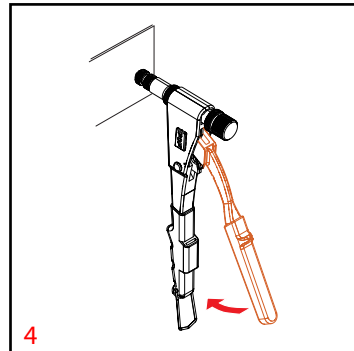
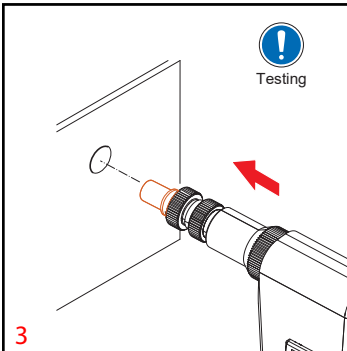
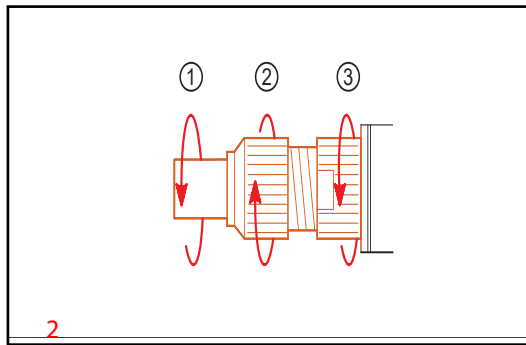
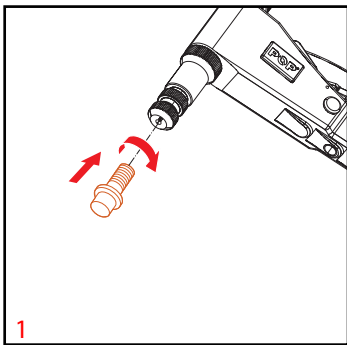
PNT110X& PNT110XI



PNT110X& PNT110XI



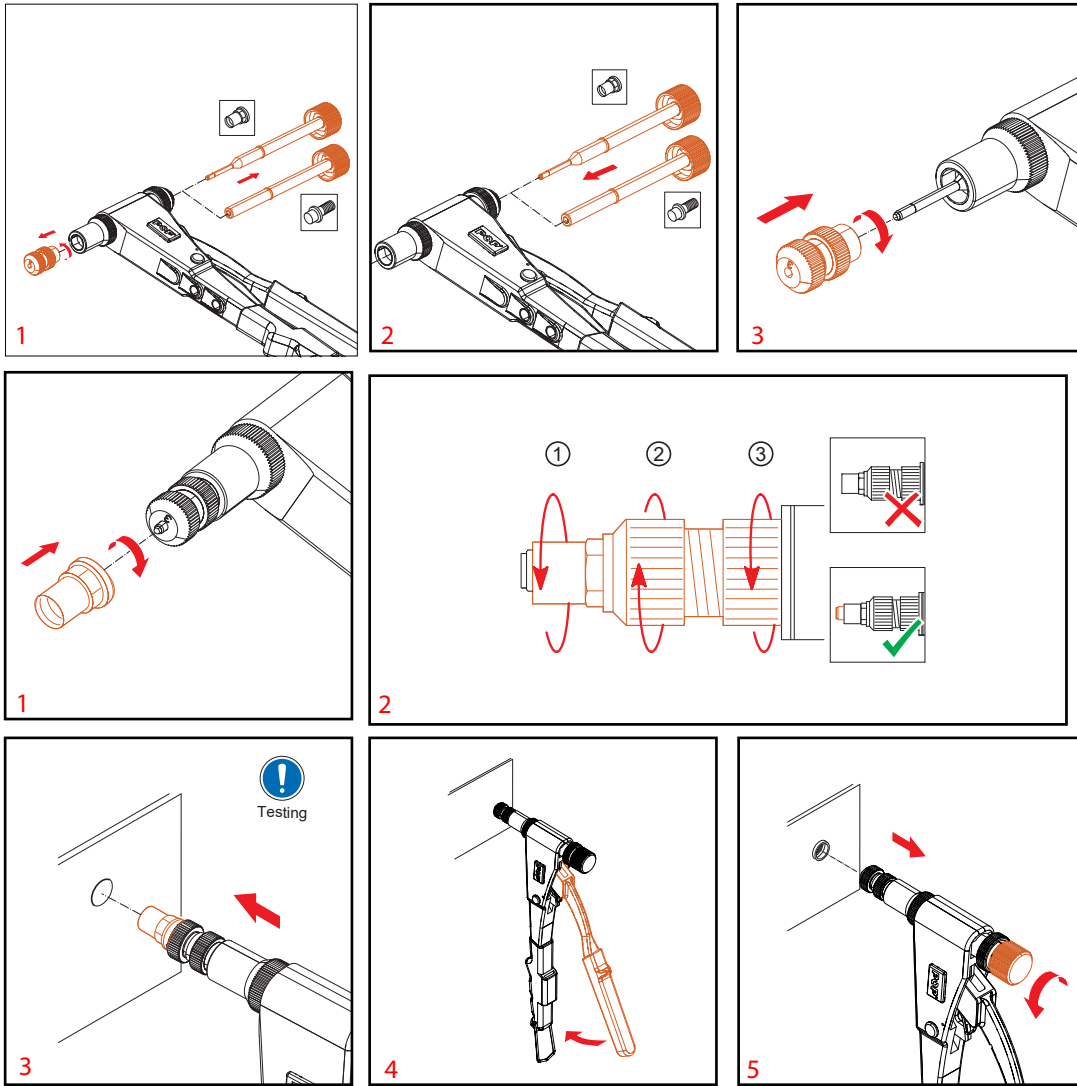
CAPACITY IN STEEL		
Metric	Imperial	
M4	8-32 UNC	
M5	10-24 UNC	
M6	1/4-20 UNC	



PNT110X& PNT110XI



PNT110X& PNT110XI



CAPACITY IN STEEL		
Metric	Imperial	
M3	6-32 UNC	
M4	8-32 UNC	
M5	10-24 UNC	
M6	1/4-20 UNC	

