

STANLEY[®]
Engineered Fastening



STANLEY[®]
Assembly Technologies

Supercharge Your Solar Installation:

Harness The Power Of All-New BLC40PB-35

Cordless Convenience. Exceptional Tool Life. Multiple Fastener Compatibility.

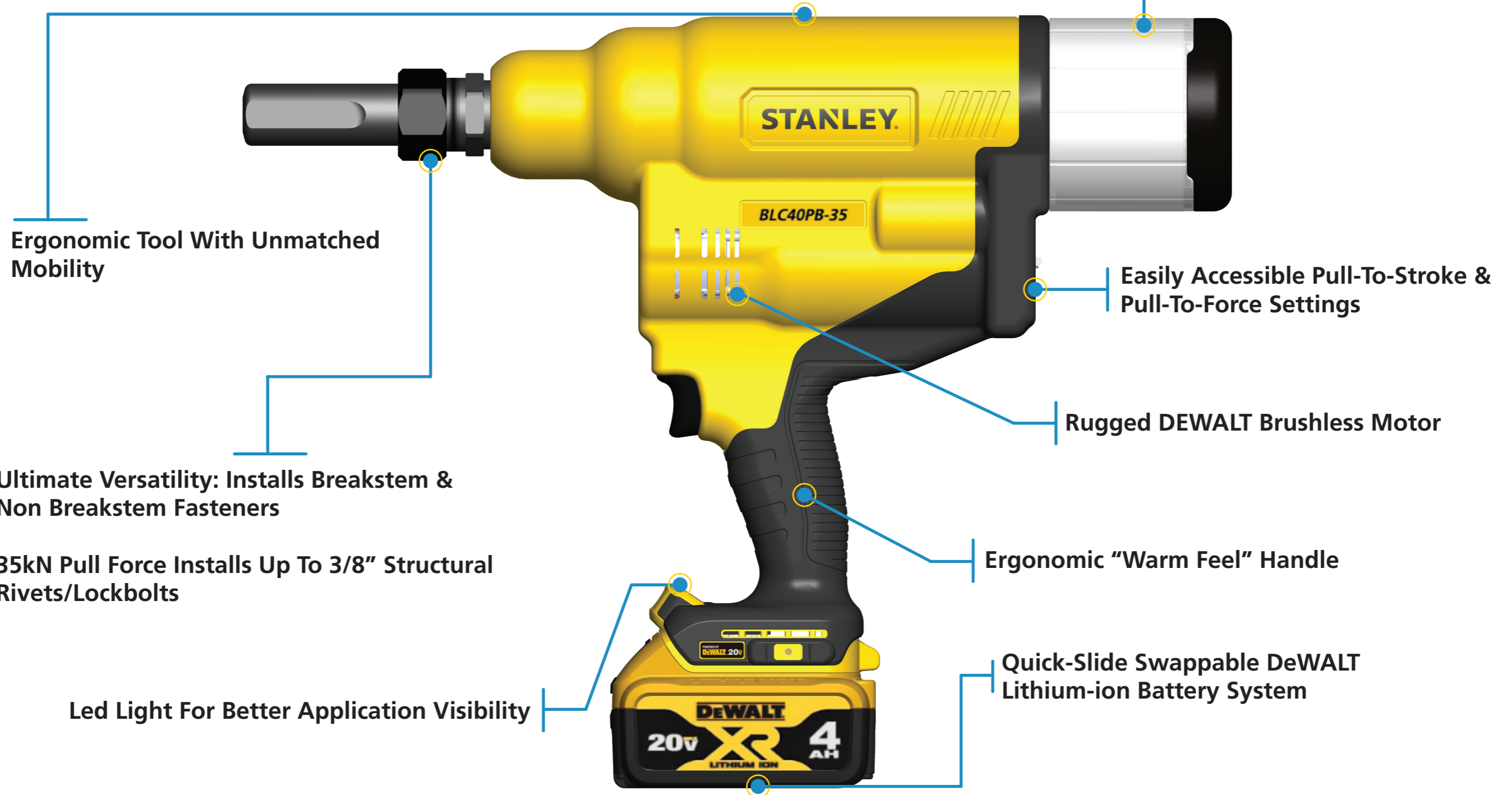
POWERED BY
DEWALT[®]

The BLC40PB-35 Advantage

Exceptional Performance With Cordless Portability

- Up to 4 times longer tool life with 200,000+ cycles
- 35kN of precise pulling force
- 3.8-second cycle time
- Increases mobility – no cables & hoses required
- Pull-to-force & pull-to-stroke settings

Collector Bottle: 100 Materials



Ergonomic Tool With Unmatched Mobility

Ultimate Versatility: Installs Breakstem & Non Breakstem Fasteners

35kN Pull Force Installs Up To 3/8" Structural Rivets/Lockbolts

Led Light For Better Application Visibility

Easily Accessible Pull-To-Stroke & Pull-To-Force Settings

Rugged DEWALT Brushless Motor

Ergonomic "Warm Feel" Handle

Quick-Slide Swappable DeWALT Lithium-ion Battery System

One Cordless Tool, Multiple Applications



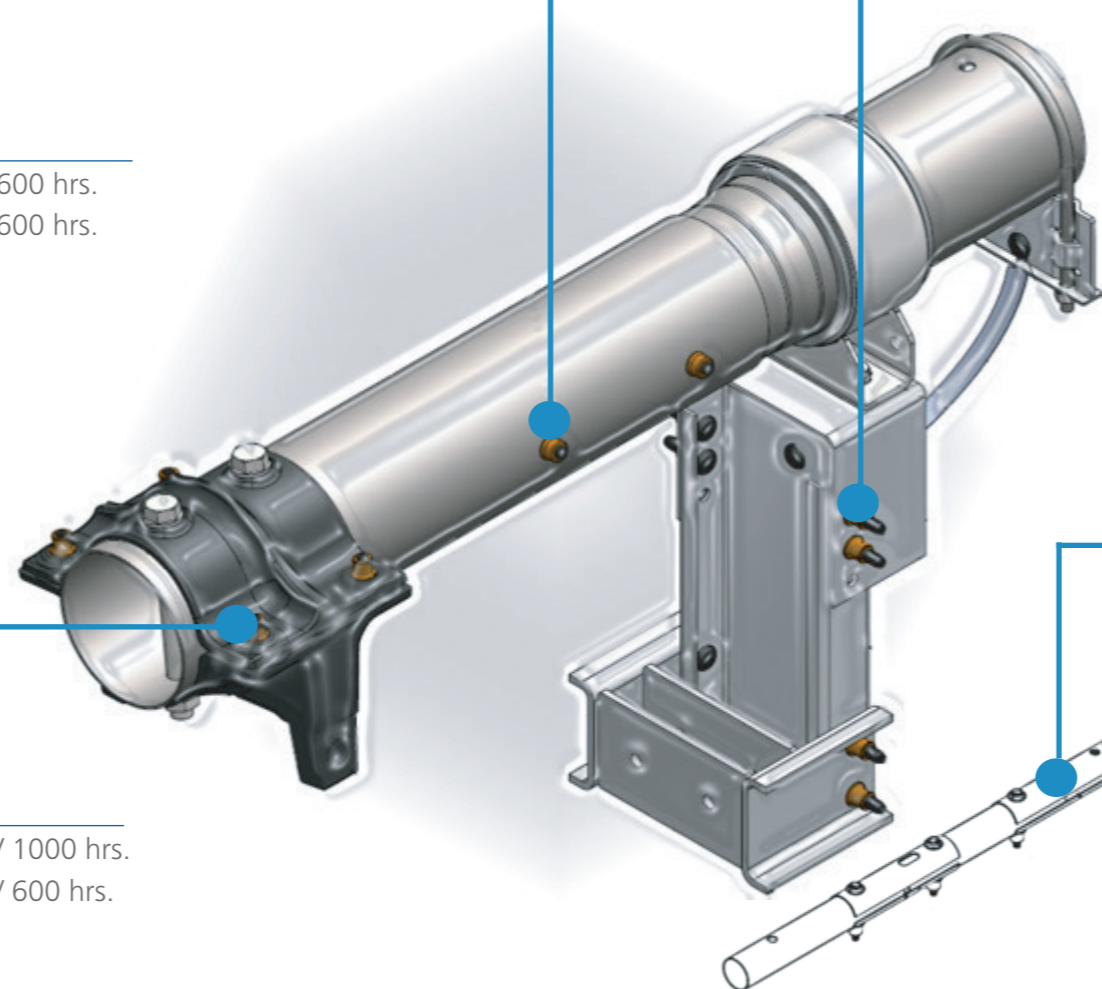
Torque Tube Applications

Fasteners	
Fastener Choice	Finish
Avbolt®	Magni / 600 hrs.
Avbolt® ECO	Magni / 600 hrs.



Clamp & Cable Drive

Fasteners	
Fastener Choice	Finish
NeoBolt® XT + Flange Collar	Magni / 1000 hrs.
Avbolt®	Magni / 600 hrs.



Gear Drive / Lateral Support Plate

Fasteners	
Fastener Choice	Finish
NeoBolt® XT + Flange Collar	Magni / 1000 hrs.
Avbolt®	Magni / 600 hrs.

Driveline Pipe & Long Plate Clamp

Fasteners	
Fastener Choice	Finish
NeoBolt® XT + Flange Collar	Magni / 1000 hrs.
Avbolt®	Magni / 600 hrs.

Reduced TCO & Operational Efficiency

- Long-lasting tool
- Durable, ergonomic design
- Eliminates costly hydraulic & pneumatic infrastructure
- Reduces assembly time with lesser component requirements

Specifications

Dimensions: L361 mm x H284 mm x W86 mm (without nose assembly & battery)

Battery: DEWALT 18/20V Li-Ion

Rivets Per Charge: [4.0Ah - 320], [5.0Ah - 440]

Charger: DEWALT Fast Charger with Progress Lamp Display

Tool Stroke: 40mm

Pull Force: 35kN

Weight: 4.7kg (without nose assembly & battery)



*DeWalt 18/20V 5.0Ah Battery with Avbolt 5/16"

Unmatched Versatility

- Installs breakstem & non-breakstem lockbolt fasteners
- Compatible with:
 - 5/16" Avbolt, 5/16" Avbolt ECO
 - AV5 Nose Assemblies
 - 3/8" Neobolt, 3/8" Monobolt, up to 16mm Avseal & more

Enhanced Mobility

- Quick-slide battery system
- Ergonomic soft-grip handle
- Compact design minimizes operator fatigue
- Compatible with belt & harness system (Optional)

DEWALT Battery Platform

- 18/20V Li-Ion technology
- Industry-leading fast charging capability
- Common swappable battery system
- Long-lasting batteries with multiple charge cycles

Seamless Inventory Management & Comprehensive Support

- One-stop solution for tools & fasteners
- Solar industry expertise
- Global warranty & service network
- Rapid response to minimize downtime

CONTACT OUR TEAM OF EXPERTS FOR MORE INFORMATION ON THE ALL-NEW BLC40PB-35

&

FOR IN-DEPTH DEMOS

STANLEY®

Engineered Fastening

<p>AVDEL</p> <p>Structural Blind Fasteners</p>	<p>INTEGRA™</p> <p>Plastic Components</p>	<p>NELSON™</p> <p>Stud Welding</p>	<p>OPTIA™</p> <p>Threaded Fasteners</p>	<p>POP™</p> <p>Non-structural Blind Fasteners</p>	<p>STANLEY Assembly Technologies</p> <p>Specialist Assembly</p>	<p>TUCKER™</p> <p>Automated Fastener Systems</p>
						

Stanley Engineered Fastening — a division of Stanley Black and Decker — is the global leader in precision fastening and assembly solutions. Our industry-leading brands, Avdel , Integra™, Nelson , Optia™, POP , STANLEY Assembly Technologies, and Tucker , elevate what our customers create. Backed by a team of passionate and responsive problem-solvers, we empower engineers who are changing the world.

STANLEY ENGINEERED FASTENING FAMILY OF BRANDS

AVDEL INTEGRA™ NELSON™ OPTIA™ POP™ STANLEY Assembly Technologies TUCKER™