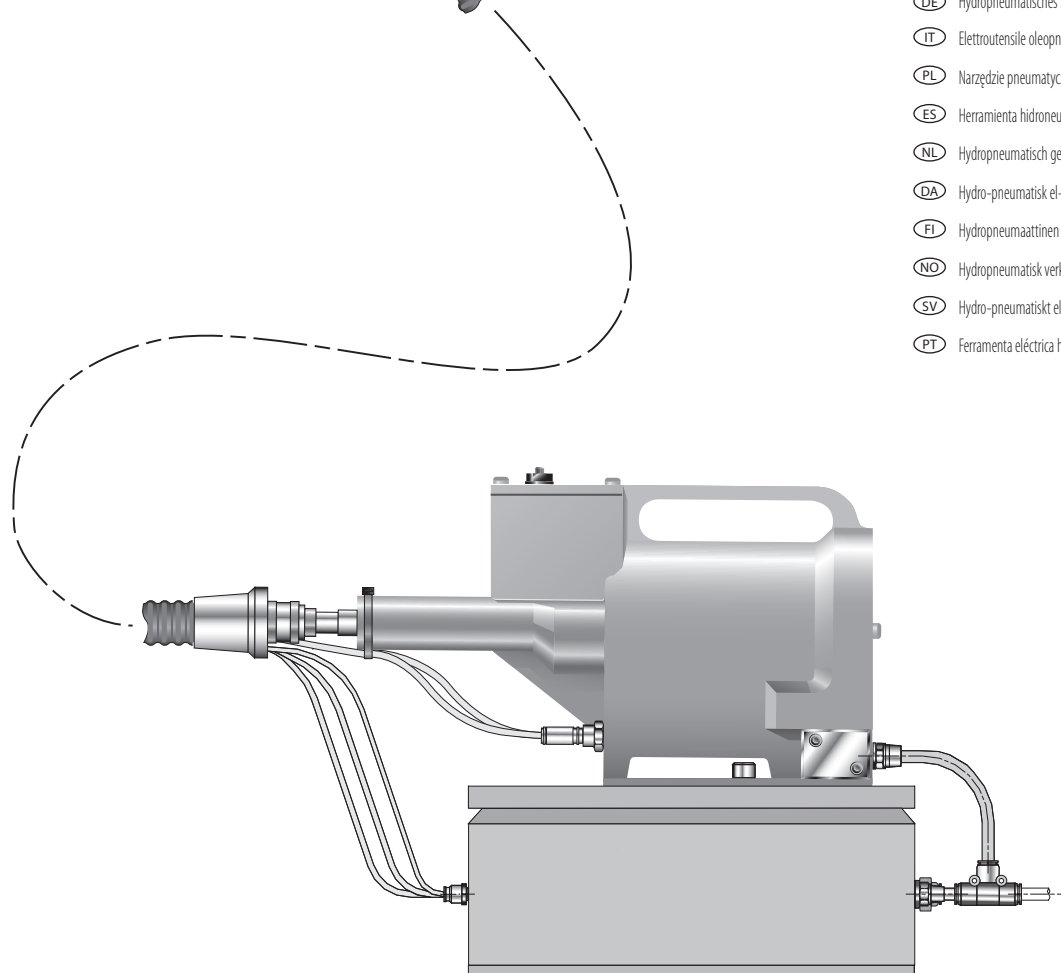


- Ⓔ EN Hydro-Pneumatic Power Tool
- Ⓕ FR Outil électrique hydropneumatique
- Ⓓ DE Hydropneumatisches Setzergerät
- Ⓘ IT Elettrostrumento oleopneumatico
- Ⓟ PL Narzędzie pneumatyczno-hydrauliczne
- Ⓔ ES Herramienta hidroneumática
- Ⓝ NL Hydropneumatisch gereedschap
- Ⓓ A Hydro-pneumatisk el-værktøj
- Ⓕ FI Hydropneumaattinen sähkötyökalu
- Ⓝ NO Hydropneumatisk verktøy
- Ⓕ SV Hydro-pneumatiskt elverktyg
- Ⓕ PT Ferramenta eléctrica hidropneumática



07536 Repetition Tool for Speed Rivets

Hydro-Pneumatic Power Tool

©2021 Stanley Black & Decker inc.
All rights reserved.

The information provided may not be reproduced and/or made public in any way and through any means (electronically or mechanically) without prior explicit and written permission from STANLEY Engineered Fastening. The information provided is based on the data known at the moment of the introduction of this product. STANLEY Engineered Fastening pursues a policy of continuous product improvement and therefore the products may be subject to change. The information provided is applicable to the product as delivered by STANLEY Engineered Fastening. Therefore, STANLEY Engineered Fastening cannot be held liable for any damage resulting from deviations from the original specifications of the product.

The information available has been composed with the utmost care. However, STANLEY Engineered Fastening will not accept any liability with respect to any faults in the information nor for the consequences thereof. STANLEY Engineered Fastening will not accept any liability for damage resulting from activities carried out by third parties. The working names, trade names, registered trademarks, etc. used by STANLEY Engineered Fastening should not be considered as being free, pursuant to the legislation with respect to the protection of trade marks.

1. SAFETY DEFINITIONS	4
1.1 GENERAL SAFETY RULES	4
1.2 PROJECTILE HAZARDS	4
1.3 OPERATING HAZARDS.....	5
1.4 REPETITIVE MOTIONS HAZARDS.....	5
1.5 ACCESSORY HAZARDS	5
1.6 WORKPLACE HAZARDS.....	5
1.7 NOISE HAZARDS.....	5
1.8 VIBRATION HAZARDS.....	5
1.9 ADDITIONAL SAFETY INSTRUCTIONS FOR PNEUMATIC & HYDRAULIC POWER TOOLS	6
2. SPECIFICATIONS.....	7
2.1 SPECIFICATION FOR 07536 TOOL	7
2.2 SPECIFICATION FOR 07531 INTENSIFIER.....	7
3. INTENT OF USE.....	8
3.1 TOOL DIMENSIONS - 07536 MODEL.....	8
4. PUTTING INTO SERVICE.....	9
4.1 AIR SUPPLY	9
4.2 AIR CURSORS	10
4.3 LOADING AND RELOADING THE TOOL	10
4.4 OPERATING PROCEDURE.....	12
5. SERVICING THE TOOL.....	13
5.1 PNEUMATIC CONTROL BOX.....	13
5.2 DAILY	13
5.3 WEEKLY	13
5.4 MOLY LITHIUM GREASE EP 3753 SAFETY DATA.....	13
5.5 SERVICE KIT.....	14
5.6 AIR CURSOR TOOL, INTENSIFIER & CONTROL BOX ASSEMBLY 07536-02100	15
6. MAINTENANCE.....	16
6.1 DISMANTLING 07536-02200	16
6.2 GENERAL ASSEMBLY OF BASE TOOL 07536-02200.....	18
6.3 PARTS LIST FOR BASE TOOL 07536-02200	19
6.4 DISMANTLING INSTRUCTIONS.....	20
6.5 PROTECTING THE ENVIRONMENT	21
6.6 INTENSIFIER 07531-02200.....	21
7. PRIMING	23
7.1 OIL DETAILS.....	23
7.2 HYPIN® VG32 AND AWS 32 OIL SAFETY DATA	23
7.3 PRIMING PROCEDURE.....	23
8. FAULT DIAGNOSIS	24
9. EC DECLARATION OF CONFORMITY	26
10. UK DECLARATION OF CONFORMITY	27
11. PROTECT YOUR INVESTMENT!	28



This instruction manual must be read by any person installing or operating this tool with particular attention to the following safety rules.



Always wear impact-resistant eye protection during operation of the tool. The grade of protection required should be assessed for each use.







Use hearing protection in accordance with employer's instructions and as required by occupational health and safety regulations.



Use of the tool can expose the operator's hands to hazards, including crushing, impacts, cuts and abrasions and heat. Wear suitable gloves to protect hands.

1. SAFETY DEFINITIONS

The definitions below describe the level of severity for each signal word. Please read the manual and pay attention to these symbols.

-  **DANGER:** Indicates an imminently hazardous situation which, if not avoided, will result in death or serious injury.
-  **WARNING:** Indicates a potentially hazardous situation which, if not avoided, could result in death or serious injury.
-  **CAUTION:** Indicates a potentially hazardous situation which, if not avoided, may result in minor or moderate injury.
-  **CAUTION:** Used without the safety alert symbol indicates a potentially hazardous situation which, if not avoided, may result in property damage.

Improper operation or maintenance of this product could result in serious injury and property damage. Read and understand all warnings and operating instructions before using this equipment. When using power tools, basic safety precautions must always be followed to reduce the risk of personal injury.

SAVE ALL WARNINGS AND INSTRUCTIONS FOR FUTURE REFERENCE

1.1 GENERAL SAFETY RULES

- For multiple hazards, read and understand the safety instructions before installing, operating, repairing, maintaining, changing accessories on, or working near the tool. Failure to do so can result in serious bodily injury.
- Only qualified and trained operators must install, adjust or use the tool.
- DO NOT use outside the design intent of placing STANLEY Engineered Fastening Blind Rivets.
- Use only parts, fasteners, and accessories recommended by the manufacturer.
- DO NOT modify the tool. Modifications can reduce the effectiveness of safety measures and increase the risks to the operator. Any modification to the tool undertaken by the customer will be the customer's entire responsibility and void any applicable warranties.
- Do not discard the safety instructions; give them to the operator.
- Do not use the tool if it has been damaged.
- Prior to use, check for misalignment or binding of moving parts, breakage of parts, and any other condition that affects the tool's operation. If damaged, have the tool serviced before using. Remove any adjusting key or wrench before use.
- Tools shall be inspected periodically to verify that the ratings and markings required by this part of ISO 11148 are legibly marked on the tool. The employer/user shall contact the manufacturer to obtain replacement marking labels when necessary.
- The tool must be maintained in a safe working condition at all times and examined at regular intervals for damage and function by trained personnel. Any dismantling procedure will be undertaken only by trained personnel. Do not dismantle this tool without prior reference to the maintenance instructions.

1.2 PROJECTILE HAZARDS

- Disconnect the tool from the air supply before performing any maintenance, attempting to adjust, fit or remove a nose assembly or accessories.
- Be aware that failure of the workpiece or accessories, or even of the inserted tool itself can generate high-velocity projectiles.
- Always wear impact-resistant eye protection during operation of the tool. The grade of protection required should be assessed for each use.
- The risks to others should also be assessed at this time.
- Ensure that the workpiece is securely fixed.
- Check that the means of protection from ejection of fastener and/or mandrel is in place and is operative.
- Warn against the possible forcible ejection of mandrels from the front of the tool.
- DO NOT operate a tool that is directed towards any person(s).

1.3 OPERATING HAZARDS

- Use of the tool can expose the operator's hands to hazards, including crushing, impacts, cuts and abrasions and heat. Wear suitable gloves to protect hands.
- Operators and maintenance personnel shall be physically able to handle the bulk, weight and power of the tool.
- Hold the tool correctly; be ready to counteract normal or sudden movements and have both hands available.
- Keep tool handles dry, clean, and free from oil and grease.
- Maintain a balanced body position and secure footing when operating the tool.
- Release the start-and-stop device in the case of an interruption of the hydraulic supply.
- Use only lubricants recommended by the manufacturer.
- Contact with hydraulic fluid should be avoided. To minimise the possibility of rashes, care should be taken to wash thoroughly if contact occurs.
- Material Safety Data Sheets for all hydraulic oils and lubricants is available on request from your tool supplier.
- Avoid unsuitable postures as it is likely for these positions not to allow counteracting of normal or unexpected movement of the tool.
- If the tool is fixed to a suspension device, make sure that the fixation is secure.
- Beware of the risk of crushing or pinching if nose equipment is not fitted.
- DO NOT operate tool with the nose casing removed.
- Adequate clearance is required for the tool operator's hands before proceeding.
- When carrying the tool from place to place keep hands away from the trigger to avoid inadvertent activation.
- DO NOT abuse the tool by dropping or using it as a hammer.
- Care should be taken to ensure that spent mandrels do not create a hazard.

1.4 REPETITIVE MOTIONS HAZARDS

- When using the tool, the operator can experience discomfort in the hands, arms, shoulders, neck or other parts of the body.
- While using the tool, the operator should adopt a comfortable posture whilst maintaining a secure footing and avoiding awkward or off-balance postures. The operator should change posture during extended tasks; this can help avoid discomfort and fatigue.
- If the operator experiences symptoms such as persistent or recurring discomfort, pain, throbbing, aching, tingling, numbness, burning sensations or stiffness, these warning signs should not be ignored. The operator should tell the employer and consult a qualified health professional.

1.5 ACCESSORY HAZARDS

- Disconnect the tool from the air supply before fitting or removing the nose assembly or accessory.
- Use only sizes and types of accessories and consumables that are recommended by the manufacturer of the tool; do not use other types or sizes of accessories or consumables.

1.6 WORKPLACE HAZARDS

- Slips, trips and falls are major causes of workplace injury. Be aware of slippery surfaces caused by use of the tool and also of trip hazards caused by the air line or hydraulic hose.
- Proceed with care in unfamiliar surroundings. There can be hidden hazards, such as electricity or other utility lines.
- The tool is not intended for use in potentially explosive atmospheres and is not insulated against contact with electric power.
- Ensure that there are no electrical cables, gas pipes, etc., which can cause a hazard if damaged by use of the tool.
- Dress properly. Do not wear loose clothing or jewellery. Keep your hair, clothing and gloves away from moving parts. Loose clothes, jewellery or long hair can be caught in moving parts.
- Care should be taken to ensure that spent mandrels do not create a hazard.

1.7 NOISE HAZARDS

- Exposure to high noise levels can cause permanent, disabling hearing loss and other problems, such as tinnitus (ringing, buzzing, whistling or humming in the ears). Therefore, risk assessment and the implementation of appropriate controls for these hazards are essential.
- Appropriate controls to reduce the risk may include actions such as damping materials to prevent workpieces from "ringing".
- Use hearing protection in accordance with employer's instructions and as required by occupational health and safety regulations.
- Operate and maintain the tool as recommended in the instruction manual, to prevent an unnecessary increase in the noise level.

1.8 VIBRATION HAZARDS

- Exposure to vibration can cause disabling damage to the nerves and blood supply of the hands and arms.
- Wear warm clothing when working in cold conditions and keep your hands warm and dry.

- If you experience numbness, tingling, pain or whitening of the skin in your fingers or hands, stop using the tool, tell your employer and consult a physician.
- Where possible Support the weight of the tool in a stand, tensioner or balancer, because a lighter grip can then be used to support the tool.

1.9 ADDITIONAL SAFETY INSTRUCTIONS FOR PNEUMATIC & HYDRAULIC POWER TOOLS

- The operating supply air must not exceed 7 bar (100 PSI).
- Air under pressure can cause severe injury.
- Never leave operating tool unattended. Disconnect air hose when tool is not in use, before changing accessories or when making repairs.
- DO NOT let air exhaust opening on the mandrel collector face in the direction of the operator or other persons. Never direct air at yourself or anyone else.
- Whipping hoses can cause severe injury. Always check for damaged or loose hoses and fittings.
- Prior to use, inspect airlines for damage, all connections must be secure. Do not drop heavy objects on hoses. A sharp impact may cause internal damage and lead to premature hose failure.]
- Cold air shall be directed away from hands.
- Whenever universal twist couplings (claw couplings) are used, lock pins shall be installed and whipcheck safety cables shall be used to safeguard against possible hose-to-tool or hose-to-hose connection failure.
- DO NOT lift the placing tool by the hose. Always use the placing tool handle.
- Vent holes must not become blocked or covered.
- Keep dirt and foreign matter out of the hydraulic system of the tool as this will cause the tool to malfunction.
- Oil under pressure can cause severe injury.
- Prior to use, inspect hydraulic hoses for damage. All hydraulic connections must be clean, fully engaged and tight before operation. Do not drop heavy objects on hoses. A sharp impact may cause internal damage and lead to premature hose failure.
- DO NOT pull or move the intensifier unit using the hoses. Always use the unit handle.
- Use only clean oil and filling equipment.
- Only recommended hydraulic fluids may be used.
- Maximum temperature of the hydraulic fluid at the inlet is 100°C (212°F).

⚠ WARNING: While a small amount of wear and marking will naturally occur through normal and correct use of mandrels, they must be regularly examined for excessive wear and marking, with particular attention to the head diameter, the tail jaw gripping area of the shank or heavy pitting of the shank and any mandrel distortion. Mandrels which fail during use could forcibly exit the tool. It is the customer's responsibility to ensure that mandrels are replaced before any excessive levels of wear and always before the maximum recommended number of placings. Contact your STANLEY Engineered Fastening representative who will let you know what that figure is by measuring the broach load of your application with our calibrated measuring tool.

STANLEY Engineered Fastening policy is one of continuous product development and improvement and we reserve the right to change the specification of any product without prior notice.

2. SPECIFICATIONS

2.1 SPECIFICATION FOR 07536 TOOL

Air Pressure	Minimum - Maximum	5-7 bar (70-100 lbf/in ²)
Free Air Volume Required	@ 5.1 bar /75 lbf/in ²	2.6 litres (0.09 ft ³)
Stroke	Minimum	25 mm (1 in)
Pull Force	@ 5.5 bar /80 lbf/in ²	3.89 kN (875 lbf)
Cycle time	Approximately	1 second
Weight	Pistol	1.2 kg (2.64 lb)

2.2 SPECIFICATION FOR 07531 INTENSIFIER

Air Pressure	Minimum - Maximum	5-7 bar (70-100 lbf/in ²)
Intensification Ratio		32:1

Noise values determined according to noise test code ISO 15744 and ISO 3744.		07536
A-weighted sound power level dB(A), L_{WA}	Uncertainty noise: $k_{WA} = 2.3$ dB(A)	79.5 dB(A)
A-weighted emission sound pressure level at the work station dB(A), L_{pA}	Uncertainty noise: $k_{pA} = 2.3$ dB(A)	68.5 dB(A)
C-weighted peak emission sound pressure level dB(C), L_{pC} , peak	Uncertainty noise: $k_{pC} = 2.5$ dB(C)	96.9 dB(C)
Vibration values determined according to vibration test code ISO 20643 and ISO 5349.		07536
Vibration emission level, a_{hd} :	Uncertainty vibration: $k = 0.25$ m/s ²	0.97 m/s ²
Declared vibration emission values in accordance with EN 12096		

3. INTENT OF USE

The pneumatic 07536 tool is a hand held light weight tool designed to place 1/16" Avlug® making it ideal for batch or flow-line assembly in a wide variety of applications throughout all industries.

The Hand Tool and Intensifier have been tested as separate items and combined. They must only be used together and for no other purposes. Refer to "Putting into Service" on page 9-12 for connection details.

Part numbers are shown to order a complete tool but no nose equipment.

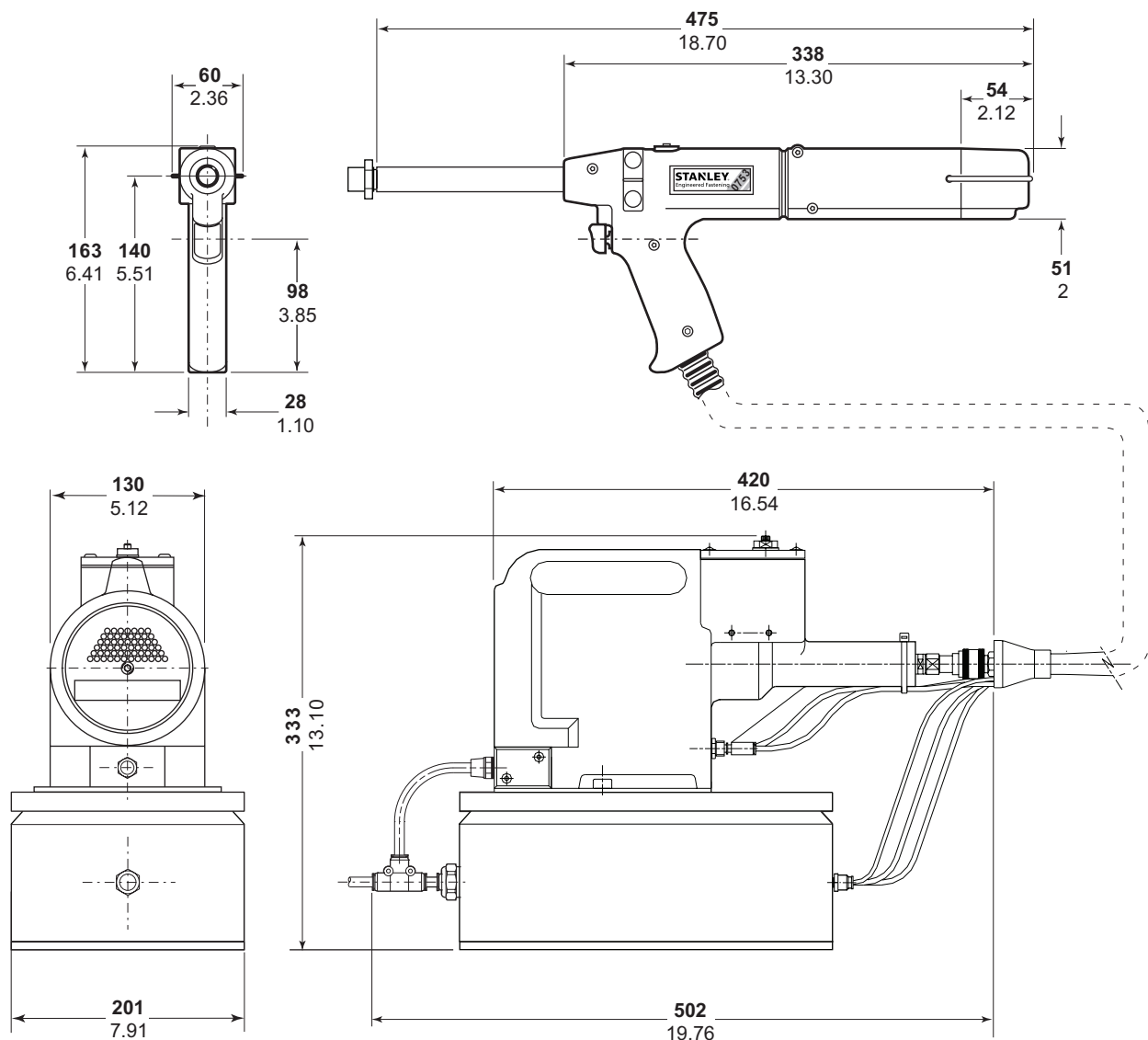
The tool number for the 07536 model is 07536-02200.

See the general assemblies on pages 15-22.

DO NOT use under wet conditions or in the presence of flammable liquids or gases.

3.1 TOOL DIMENSIONS - 07536 MODEL

Part Number 07536-02100



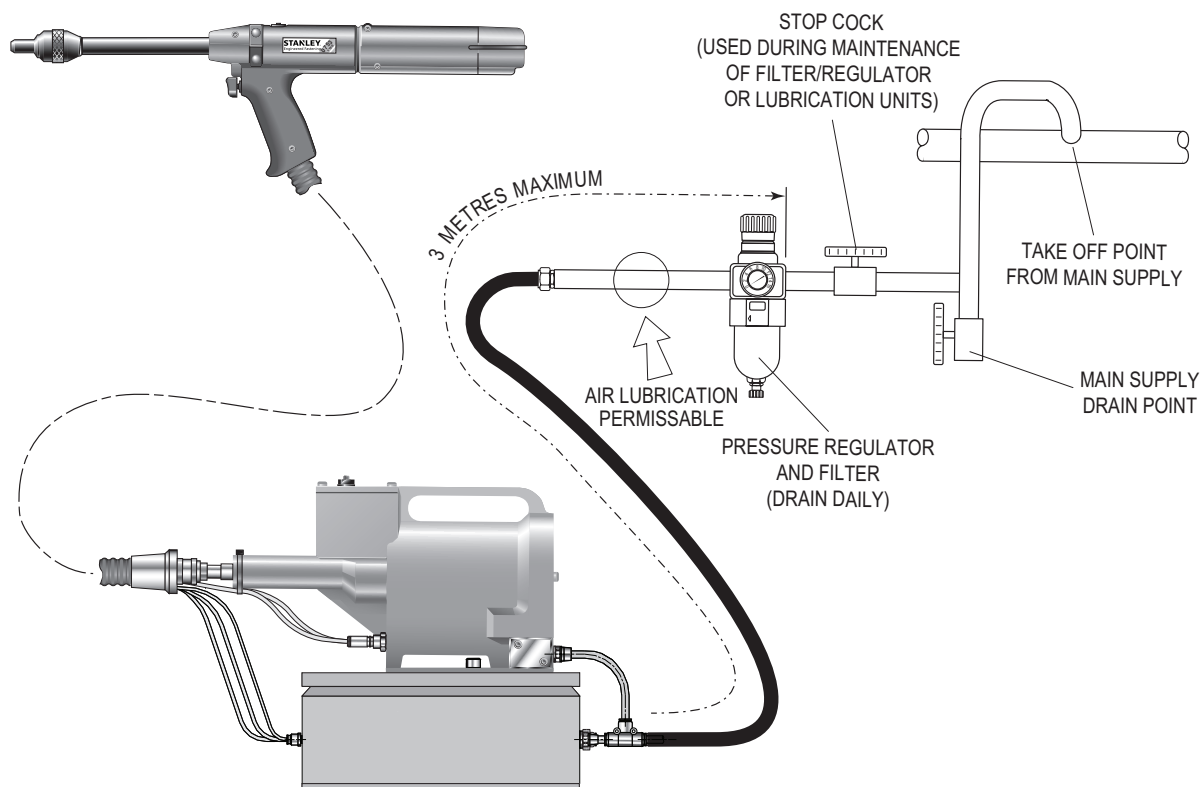
Dimensions in mm.

4. PUTTING INTO SERVICE

4.1 AIR SUPPLY

All tools are operated with compressed air at an optimum pressure of 5.5 bar. We recommend the use of pressure regulators and automatic oiling/filtering systems on the main air supply. To ensure maximum tool life and minimum tool maintenance they should be fitted within 3 metres of the tool (see diagram below).

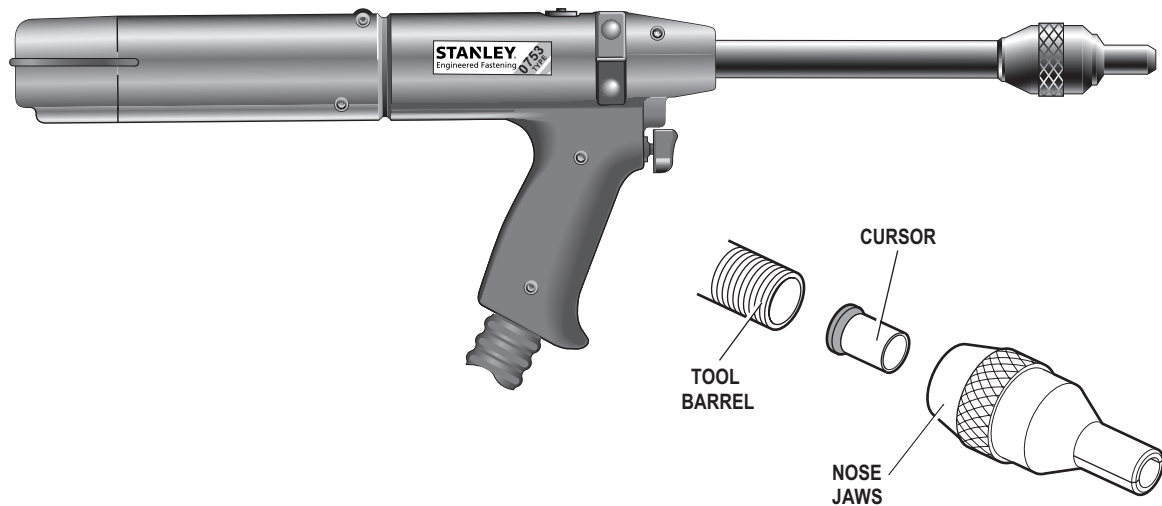
Air supply hoses should have a minimum working effective pressure rating of 150% of the maximum pressure produced in the system or 10 bar, whichever is the highest. Air hoses should be oil resistant, have an abrasion resistant exterior and should be armoured where operating conditions may result in hoses being damaged. All air supply hoses MUST have a minimum bore diameter of 6.4 millimetres or 1/4 inch.



Follow the steps below when connecting the tool to the intensifier and main air supply:

- Push the end of the large hydraulic hose from the tool into the quick release connector on the end of the intensifier.
- On the front face of the intensifier (Refer to page 15):
 - Push the blue pneumatic (4mm OD) line into the reducer fitting which is located in the left hand bulkhead connector.
 - Push the black pneumatic (4mm OD) line into the plastic collet of the right hand bulkhead connector.
- On the front face of the control box (Refer to page 15):
 - Push the silver pneumatic (3mm OD) line into the reducer labelled 'Cursor' on the front face of the control box - LH side.
 - Push the green pneumatic (4mm OD) line into the reducer labelled 'Tail Jaws' on the front face of the control box - middle.
 - Push the white pneumatic (4mm OD) line into the reducer labelled 'Signal' on the front face of the control box - RH side.
- Fit a pneumatic hose between the male connector at the rear of the intensifier and main air supply.

4.2 AIR CURSORS



Air Cursor Selection

See separate data sheet 07900-00863 for nose assembly components.

CURSOR

IMPORTANT

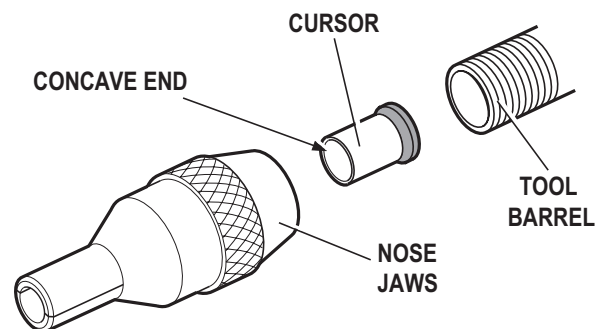
If fitted incorrectly, the cursor will not allow the loading of the tool and feeding of the fasteners.

While the cursor will be fitted the correct way round when the tool is supplied, we recommend that you check its orientation before fitting the nose equipment. The slightly concave end of the cursor should point towards the front of the tool as shown in the illustration.

To reverse the orientation of the cursor, follow these steps:

Extreme caution must be exercised when undertaking the following procedure. Care must be taken to avoid the barrel and protruding mandrel.

- Remove the Nose Assembly if there is one.
- Insert an empty mandrel fully into the tool.
- Close the Tail Jaws **32**, by switching on the tail jaw switch (items **18** and **19**).
- The cursor will pop out of the barrel after a short delay.
- Open the Tail Jaws **32**, by switching off the tail jaw switch (items **18** and **19**), this will release the mandrel.
- Remove the cursor from the mandrel and insert the cursor into the barrel.



4.3 LOADING AND RELOADING THE TOOL

IMPORTANT

The procedure for loading the tool and for fitting the nose equipment to the tool is integral.

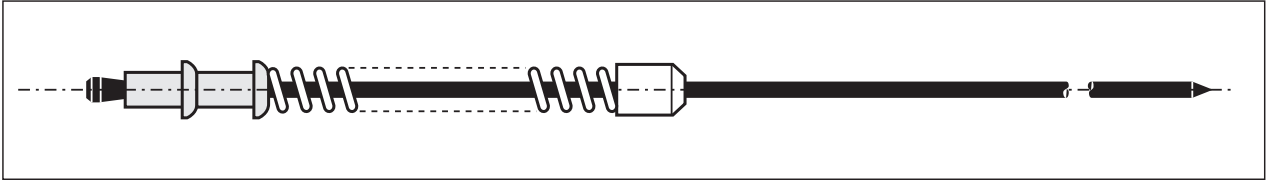
When ordering a complete tool or system you will normally be supplied with all the nose equipment required for the fastener to be placed.

If you have been supplied with a nose jaw, mandrels and mandrel follower springs proceed with loading the tool and fitting the nose equipment as shown below.

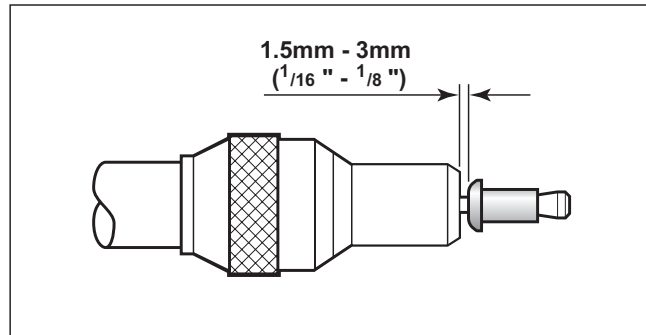
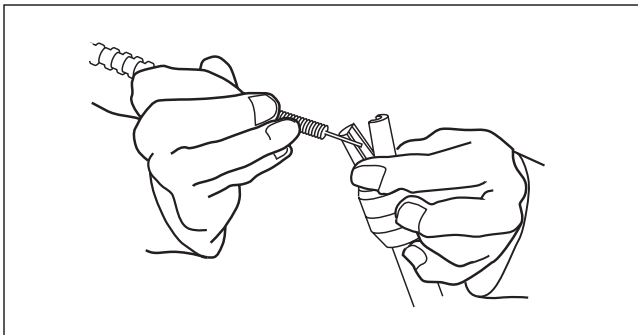
Item numbers in **bold** refer to the general assembly and parts list for the 07536-02200 Tool on pages 18-19.

Loading the Tool

- Connect the air supply to the tool.
- Open Tail Jaws **32** which grip the mandrel, by switching off the tail jaw switch (items **18** and **19**).
- Screw selected nose jaws onto Barrel **44** of the tool.
- * Insert a mandrel into the tail end of the fasteners through the paper pod.
- Slide the mandrel follower spring onto the mandrel ensuring correct orientation.



- Gripping the tail end of the mandrel, tear off the paper pod from around the fasteners.
- Open the nose jaws either by rotating the outer ring on Cam operated jaws or by pushing outwards on the jaw ends, as illustrated below left.
- Insert the previously assembled mandrel, mandrel follower spring and fasteners into the nose jaws until the first fastener to be placed is protruding from the nose jaw.
- Close the nose jaws and adjust so that the first fastener protrudes by 1.5mm - 3mm ($1/16''$ to $1/8''$), as shown in the illustration below right.
- Close the Tail Jaws **32** to ensure the mandrel is gripped, by switching on the tail jaw switch (items **18** and **19**).



Re-loading the Tool

- Open Tail Jaws **32** of tool, by switching off the tail jaws (items **18** and **19**).
- Open the nose jaws and pull the empty mandrel and mandrel follower spring out of the tool.
- Reload the tool by following the above instructions, starting at stage •*.

Setting the Tool - Adjustable Nose Assemblies Only

Insert the previously assembled mandrel (see Loading the Tool •*) or the disposable mandrel against the stop within the Tail Jaw Piston Assembly **60**.

While holding the mandrel, close the Tail Jaws **32**, which grip the mandrel, by switching on the tail jaw switch (**18** and **19**).

Screw the lock nut onto the Barrel **44** of the tool.

Rotate the nose assembly onto the Barrel **44**.

Adjust the nose assembly so that the first fastener protrudes by 1,5mm-3mm ($1/16''$ - $1/8''$), as shown in the illustration on page 11.

Tighten the lock nut against the nose assembly to prevent the nose jaw assembly from moving.

Re-loading the Tool

Open the tail jaws of the tool, by switching off the tail jaw switch (**18-19**).

Open the jaws and pull the empty mandrel and follower spring out of the tool.

Insert the new mandrel against the stop within the too, and close the Tail Jaws **32** which grip the mandrel, by switching on the tail jaw switch (**18** and **19**).

Close the Tail Jaws **32**.

4.4 OPERATING PROCEDURE**IMPORTANT**

You must check that the cursor orientation and the nose equipment are correct before attempting to operate the tool.

- Push the fastener, protruding from the nose jaws, fully into the application holes ensuring that the tool is held square.
- Operate the trigger without releasing - the mandrel head is pulled through the fastener, forming the fastener into the application.
- Remove the tool.
- Release the trigger. The next fastener will be automatically presented through the nose jaws, ready for placing.

5. SERVICING THE TOOL

Regular servicing should be carried out and a comprehensive inspection performed annually or every 500,000 cycles, whichever is sooner.

IMPORTANT

**The employer is responsible for ensuring that tool maintenance instructions are given to the appropriate personnel.
The operator should not be involved in maintenance or repair of the tool unless properly trained.**

5.1 PNEUMATIC CONTROL BOX

IMPORTANT

**Under no circumstances must the pneumatic box be opened. The box is a closed item.
The internal adjustments are preset and must not be altered or tampered with.
Only Authorised STANLEY Engineered Fastening personnel may dismantle this control box.**

⚠ CAUTION: Never use solvents or other harsh chemicals for cleaning the non-metallic parts of the tool. These chemicals may weaken the materials used in these parts.

5.2 DAILY

- Daily, before use or when first putting the tool into service. Pour a few drops of clean lubricating oil into the air inlet of the intensifier if no lubricator is fitted on air supply. If the tool is in continuous use, the air hose should be disconnected from the main air supply and the tool lubricated every two to three hours.
- Check for air and oil leaks. If damaged, hoses and couplings should be replaced.
- If there is no filter on the pressure regulator, bleed the airline to clear it of accumulated dirt or water before connecting the air hose to the intensifier. If there is a filter, drain it.
- Check that the nose equipment is correct.
- Check mandrels regularly for signs of wear or damage monitoring the number of placings (read the safety instructions on page 4-6).

5.3 WEEKLY

- Conduct the full "Daily" procedures as described above.
- Remove, inspect, clean and grease the Tail Jaws (refer to "Tail Jaw Cylinder" in the "Maintenance Section" page 16).
- Check oil level in the intensifier Unit reservoir is approximately 12mm (1/2") below the transparent cover plate.

5.4 MOLY LITHIUM GREASE EP 3753 SAFETY DATA

Grease can be ordered as a single item, the part number is shown in the Service Kit page 14.

First Aid

SKIN:

As the grease is completely water resistant it is best removed with an approved emulsifying skin cleaner.

INGESTION:

Ensure the individual drinks 30ml Milk of Magnesia, preferably in a cup of milk.

EYES:

Irritant but not harmful. Irrigate with water and seek medical attention.

Fire

FLASH POINT: Above 220°C.

Not classified as flammable.

Suitable extinguishing media: CO₂, Halon or water spray if applied by an experienced operator.

Environment

Scrape up for burning or disposal on approved site.

Handling

Use barrier cream or oil resistant gloves.

Storage

Away from heat and oxidising agent.

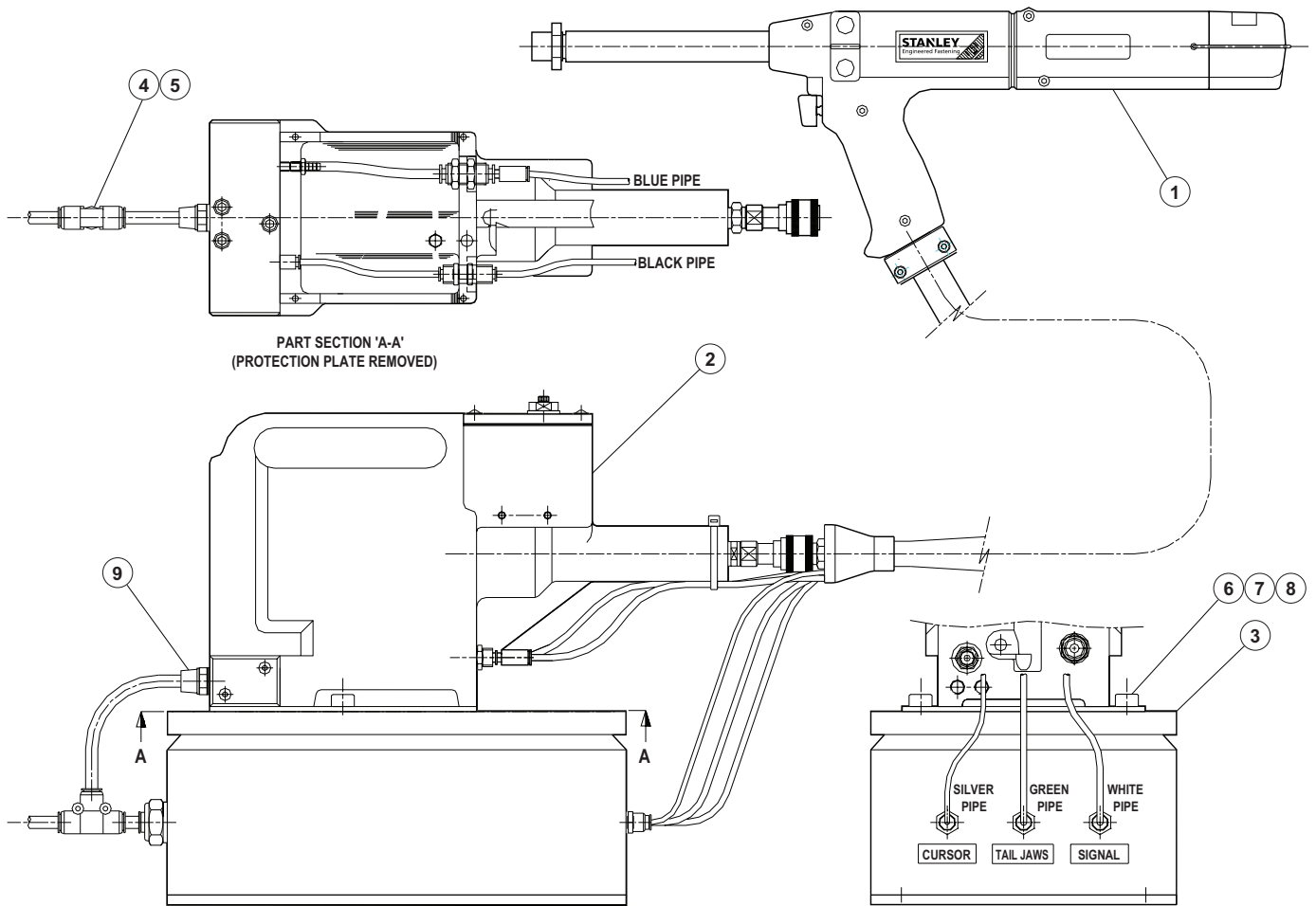
5.5 SERVICE KIT

For all servicing we recommend the use of the Service Kit (part number 07900-05300).

SERVICE KIT					
ITEM PART N°	DESCRIPTION	N° OFF	ITEM PART N°	DESCRIPTION	N° OFF
07900-00157	CIRCLIP PLIERS	1	07900-00352	SEAL REMOVAL HOOK	1
07900-00006	SPATULA	1	07900-00710	BARREL PLUG REMOVAL SPANNER	1
07900-00446	EXTRACTOR	1	07900-00725	BULLET	1
07900-00603	BARREL VICE JAWS	1	07900-00243	SCREWDRIVER	1
07900-00520	3/8" ROD	1	07900-00717	INTENSIFIER SPANNER	1
07900-00521	1/4" ROD	1	07900-00013	1/8" ALLEN KEY	1
07900-00602	'O' RING ASSEMBLY BULLET	1	07900-00617	LOCTITE® MULTI-GASKET 574 50ml PACK	1
07900-00595	18mm SPANNER	1	07900-00469	2.5mm ALLEN KEY	1
07900-00434	32mm SPANNER	1	07900-00351	3mm ALLEN KEY	1
07900-00237	3/8" × 5/16" B.S.W. SPANNER	1	07900-00224	4mm ALLEN KEY	1
07900-00012	9/16" × 5/8" SPANNER	1	07900-00225	5mm ALLEN KEY	1
07900-00008	7/16" × 1/2" SPANNER	1	07992-00020	80g TIN MOLY LITHIUM GREASE EP 3753	1

Note: Spanner sizes are measured 'across flats' unless otherwise specified.

5.6 AIR CURSOR TOOL, INTENSIFIER & CONTROL BOX ASSEMBLY 07536-02100



ITEM	PART No	DESCRIPTION	No OFF
1	07536-02200	AIR CURSOR HAND TOOL	1
2	07531-02200	INTENSIFIER TOOL	1
3	07007-02024	AIR CURSOR CONTROL BOX	1
4	07005-10071	T CONNECTOR	1
5	07005-10072	8 MM TUBING (2.50 m)	1
6	74405-12080	MODIFIED M8 NUTSERT	8
7	07001-00469	M8 × 15 SOCKET CAP HEAD SCREW	2
8	07002-00105	M8 WASHER	4
9	07005-01573	MALE CONNECTOR 8MM TUBE	1
10	07005-01977	MALE/FEMALE REDUCER 6MM /4MM	1

6. MAINTENANCE

Every 500,000 cycles the tool should be completely dismantled and new components should be used where worn, damaged or when recommended. All 'O' rings and seals should be renewed and lubricated with Moly Lithium grease EP 3753 before assembling.

IMPORTANT

Safety Instructions appear on page 4.

**The employer is responsible for ensuring that tool maintenance instructions are given to the appropriate personnel.
The operator should not be involved in maintenance or repair of the tool unless properly trained.**

The airline must be disconnected before any servicing or dismantling is attempted, unless specifically instructed otherwise.

It is recommended that any dismantling operation be carried out in clean conditions.

Prior to dismantling the tool, you will need to remove the nose equipment.

For total tool servicing we advise that you proceed with the dismantling of sub-assemblies in the order shown below after having disconnected the hydraulic hose from the intensifier unit, air lines from the intensifier and control box, thus separating the pistol unit from the intensifier unit.

The potentially dangerous substances that could have deposited on the machine as a result of work processes must be removed before maintenance.

6.1 DISMANTLING 07536-02200

TAIL JAW CYLINDER

- Manually flip the retaining Clip **53** up and remove the End Cap **59**.
- Using an Allen Key*, remove one Cap Head Screw **6** ensuring that any trapped air in the tail jaw cylinder is exhausted. Remove the second Cap Head Screw **6**.
- Pull out Rear Plug **50**. **Note:** To aid extraction there is a 5mm thread on the rear face of the plug.
- Extract air tail jaw components, comprising Tail Jaw Piston Assembly **60**, Stop **52**, 'O' Ring **12** and Jaws **32**.
- Extract the remaining components, comprising of Spring **36** and Jaw Housing **42**.
- Free length of spring **36** should be 38.1mm (1.5"). Replace if necessary.
- Remove piston assembly seal 'O' Ring **11**.
- Disconnect Air Cursor Concertina Tube (Green) **49** from Elbow Connector **22**.
- Disconnect Air Cursor Concertina Tube (Silver) **38** from Barb Elbow **30**.
- Using an Allen Key*, remove all five handle moulding securing Screws **3**, **4** and all four Nuts **8** from the tool handle.
- Grip Barrel **44** in a vice using soft jaws* to avoid damage.
- Using a box spanner*, unscrew Barrel Plug **46**, preventing Barrel **44** turning by using an open ended spanner*.
- Pull the Tail Jaw Cylinder **47** from the tool.
- Remove 'O' Ring **14**, Rubbing Strip **41** and Barrel Return Spring **37**.
- Coat the face of Tail Jaws **32** with Moly Lithium grease, in contact with Jaw Housing **42**, before assembling.
- Assemble in reverse order of dismantling.

HYDRAULIC PISTON

- Remove Tail Jaw Cylinder **47** as described earlier.
- Grip Body **45** in vice using soft jaws* to avoid damage, undo Stroke Limiter **40**.
- Using an Allen Key*, loosen Screw **5** that is clamping the Switch Block **54** to the barrel **44**.

* Refers to items included in the 0753 MkII Service Kit. For complete list see page 14.
Item numbers in **bold** refer to the general assemblies and parts lists on pages 18-19.

- Hold the tool firmly and pull the Barrel **44** from the Body **45** (a small quantity of hydraulic oil may be ejected from inside the head assembly).
- Remove Piston **39** carefully so as not to damage head bore.
- Remove Seal **16**.
- Seal **17** is difficult to remove without damaging, but can remain in place during cleaning (provided it is not affected by cleaning process). If however, Seal **17** requires renewing proceed as follows:
- Using spatula*, prise out Seal **17** from Body **45**, taking care not to damage body cavity and bores. The removed Seal **17** MUST be discarded.
- To replace Seal **17**, unscrew Bleed Plug Assembly **43** until inside face is level with internal bore of the Body **45**. This will provide a smooth passage for insertion of a new Seal **17** through rear of Body **45**.
- Ensure the Seal **17** is well greased and the correct way round with the open end of the seal facing the rear tail jaws.
- Complete assembly in reverse order of dismantling.

TRIGGER ASSEMBLY

- To dismantle/service assembly, remove covers from the tool as described earlier.
- Disconnect all air hoses from assembly, taking care not to damage them. Remove assembly.
- Using a spanner*, unscrew the Retainer **34** and remove. Take care to keep the Spring **31**.
- Prise off the 'O' Ring **10** taking care not to damage the Spindle **35** and Retainer **34** seatings.
- Clean and re-assemble using a new 'O' Ring **10**.
- Check length of Spring **31** which must be 12.7mm (0.5") free length – replace if necessary.
- Assembly in reverse order of dismantling.

TAIL JAW ON/OFF VALVE

- The unit is designed so that minimum of servicing is required during the life of the tool.
- If it is necessary to dismantle the valve, proceed as follows:
- Remove Trigger Housing **56** as described in section "Hydraulic Piston".
- Using a screwdriver*, carefully remove the Chrome Star-lock Washer **18** from Air Tail Jaw Spool **55** and discard washer.
- Extract Air Tail Jaw Spool **55** from Switch Block **54**.
- Taking care not to damage the Air Tail Jaw Spool **55**, remove the 'O' Rings **12**.
- Clean spool and refit new 'O' Rings **12** using assembly bullet* and insert into Switch Block **54**, noting its orientation.
- Fit New Chrome Star-lock Washer **18** by clamping in a soft jaw vice to prevent damage. DO NOT USE UNDUE FORCE.
- Complete assembly in reverse order of dismantling.

HANDLE & END CAP

- Clean and inspect mouldings for cracks or other damage.

CURSOR

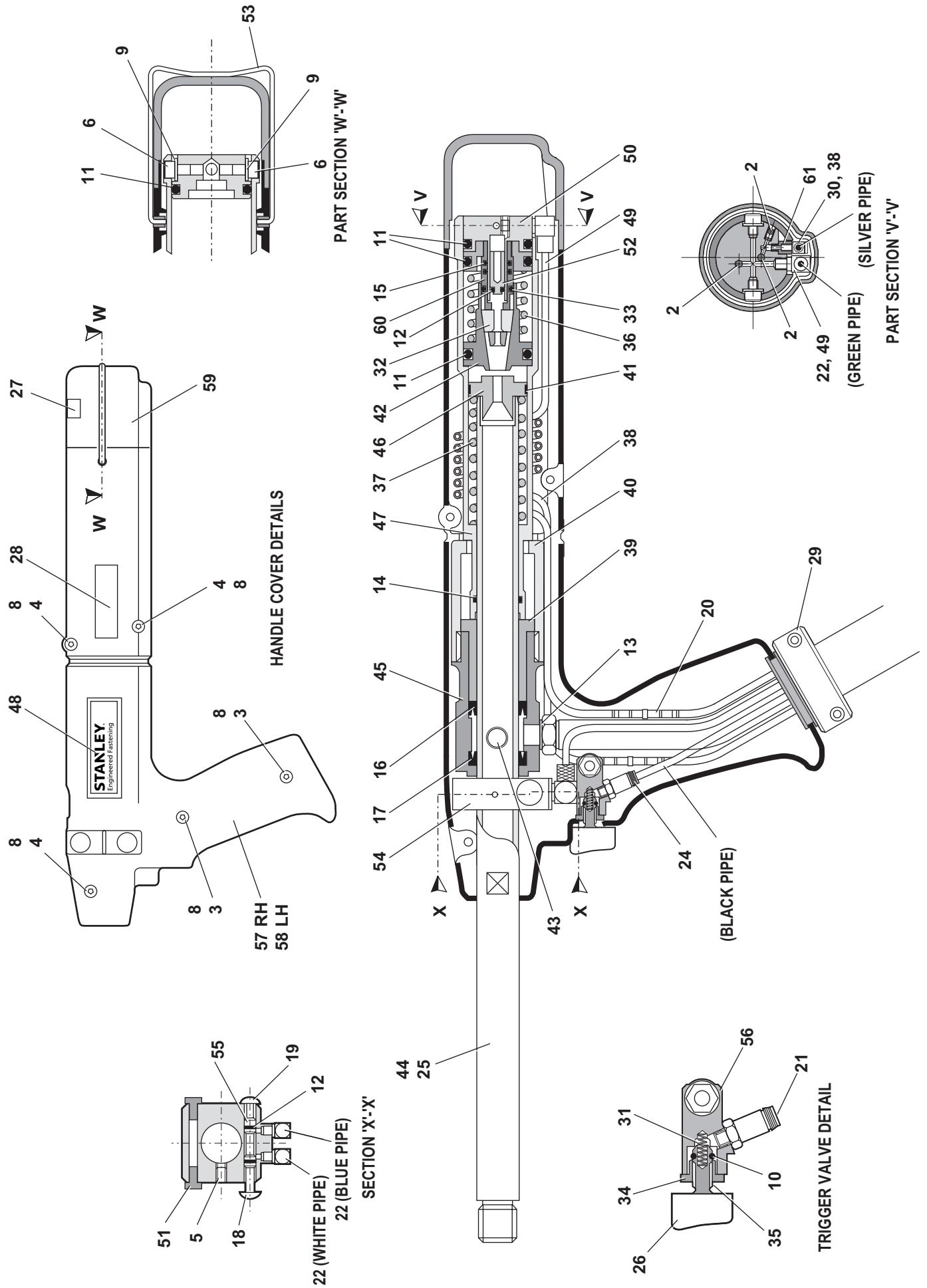
- Clean and oil cursor assembly occasionally with a little light oil.

IMPORTANT

**Check the tool against daily and weekly servicing.
Priming is ALWAYS necessary after the tool has been dismantled and prior to operating.**

* Refers to items included in the 0753 MkII Service Kit. For complete list see page 14.
Item numbers in **bold** refer to the general assemblies and parts lists on pages 18-19.

6.2 GENERAL ASSEMBLY OF BASE TOOL 07536-02200



6.3 PARTS LIST FOR BASE TOOL 07536-02200

07536-02200 PARTS LISTS									
ITEM	PART N°	DESCRIPTION	QTY	SPARES	ITEM	PART N°	DESCRIPTION	QTY	SPARES
1	07007-00392	CABLE TIE (NOT SHOWN)	1	-	34	07220-00803	RETAINER	1	-
2	07001-00499	M3×5 LONG SOCKET SET SCREW	3	-	35	07241-00208	SPINDLE	1	-
3	07001-00262	M4×22 LONG SOCKET HEAD CAP SCREW	1	-	36	07154-00404	SPRING	1	-
4	07001-00401	M4×10 LONG SOCKET HEAD CAP SCREW	4	-	37	07490-03002	BARREL RETURN SPRING	1	-
5	07001-00404	M5×6 LONG SOCKET HEAD SET SCREW	1	-	38	07536-02211	3MM AIR CURSOR CON-CERTINA TUBE - SILVER	1	-
6	07001-00504	M4×6 LONG SOCKET HEAD CAP SCREW	2	2	39	07536-00203	PISTON	1	-
7					40	07530-00204	STROKE LIMITER	1	-
8	07002-00134	M4 HEX NUT	4	-	41	07530-00206	RUBBING STRIP	1	1
9	07002-00153	M4 WASHER [PLASTIC]	2	-	42	07536-00208	JAW HOUSING	1	-
10	07003-00022	'O' RING	1	-	43	07530-00500	BLEED PLUG ASSEMBLY [ITEMS 62 TO 65] ●	1	-
11	07003-00113	'O' RING	3	3	44	07536-02201	BARREL	1	-
12	07003-00121	'O' RING	3	3	45	07530-02202	BODY	1	-
13	07003-00142	1/8" BSP BONDED SEAL	1	1	46	07530-02205	BARREL PLUG	1	-
14	07003-00167	'O' RING	1	1	47	07536-02207	TAIL JAW CYLINDER	1	-
15	07003-00386	'O' RING	2	-	48	07530-02210	LABEL	2	-
16	07003-00236	SEAL [DYNAMIC]	1	1	49	07536-02212	4MM AIR CURSOR CON-CERTINA TUBE - GREEN	1	-
17	07003-00237	SEAL [STATIC]	1	-	50	07536-02213	REAR PLUG	1	-
18	07004-00058	1/8" STARLOCK WASHER CHROME	1	-	51	07530-00310	BLANKING PLUG	2	-
19	07004-00059	1/8" STARLOCK WASHER BLACK	1	-	52	07536-02214	STOP	1	-
20	07005-10073	3MM CONNECTOR	1	-	53	07530-02220	CLIP	1	-
21	07005-01357	COLLET TYPE CON-NECTOR	1	-	54	07530-02301	SWITCH BLOCK	1	-
22	07005-01571	ELBOW CONNECTOR	3	-	55	07530-02302	AIR TAIL JAW SPOOL	1	-
23	07536-02216	LOCKNUT	1	-	56	07530-02311	TRIGGER HOUSING	1	-
24	07005-10074	2MM CONNECTOR	1	-	57	07536-02601	HANDLE MOULDING AS-SEMBLY RIGHT HAND	1	-
25	07007-00017	DUST CAP	1	-	58	07536-02602	HANDLE MOULDING AS-SEMBLY LEFT HAND	1	-
26	07007-00300	TRIGGER BUTTON	1	-	59	07530-02603	END CAP	1	-
27	73200-02022	SAFETY LABEL	1	-	60	07536-02800	TAIL JAW PISTON ASSEM-BLY	1	-
28	07007-01504	CE MARK LABEL	1	-	61	07536-02215	FITTING ADAPTER	1	-
29	07008-00438	FLEXIBLE HOSE ASSEM-BLY	1	-	62	07003-00142	●BONDED SEAL (NOT SHOWN)	1	1
30	07005-01323	M3 BARB ELBOW	1	-	63	07003-00194	●BONDED SEAL (NOT SHOWN)	1	1
31	07125-00215	SPRING	1	-	64	07001-00442	●SCREW (NOT SHOWN)	1	1
32	07151-00403	TAIL JAWS	1 pair	2	65	07530-00501	●PLUG (NOT SHOWN)	1	-
33	07003-00016	'O' RING	1						

6.4 DISMANTLING INSTRUCTIONS

- When dismantling the intensifier assembly, first disconnect the air supply hose to intensifier inlet Connector **22**.
- Using an Allen Key* undo four Screws **27** and remove Protection Plate **24**.
- Disconnect the trigger hose **47** from the intensifier Valve **43** or **48** by depressing the outlet collet and withdrawing the hose.
- Remove Cover Plate **4** and Gasket **35** by removing Screws **37** and Washers **36** using Allen Key*.
- Ensure that gasket is not damaged to ensure a proper seal on assembly.
- Invert intensifier assembly and drain oil from reservoir into a suitable container.
- Remove Quick Release Connector **32** together with Connector **31** and Seals **33** with suitable spanner*.
- Remove intensifier Valve **43** or **48** by removing the fixing screws with a suitable spanner taking care to retain 'O' Ring **21** located in the Intensifier Body Casting.
- Remove Screw **19** using a suitable Allen Key* and remove Silencer Cover **16**, Foam Silencer **15**, Spacer **18** and Retaining Plate **20**.
- Pull off the 6mm Plastic Tube **41** from Vacuum Connectors **42**.
- From the base of the intensifier insert a 3mm Allen Key * through the two holes and unscrew the Vacuum Connectors **42**. Note:
 - Care must be taken as the vacuum connectors are locked and sealed in place using Loctite® 574.
 - If difficult to remove, the vacuum connectors can be drilled out using a $\frac{3}{16}$ " or 4.7mm diameter drill.
- To reassemble the Vacuum Connectors **42**, the following procedure must be followed: -
 - Soak the vacuum connectors in a suitable primer, i.e. Perma Bond A905
 - Place a drop of Loctite® 574 in the intensifier threaded hole.
 - From the base of the intensifier insert the Allen Key * through the hole. Ensure that the Allen Key * is free from Loctite® 574 before inserting into the vacuum connector.
 - Rotate the Allen Key while applying Loctite® 574 to the base of the vacuum connector.
 - Screw the Vacuum connector into the intensifier, ensuring that there is sufficient Loctite® 574 at the base of the fitting such the thread is not visible.
- Using a screwdriver, carefully remove internal Retaining Ring **14**. Clean and inspect groove for sign of damage.
- Using Extractor*, insert male threaded end into End Cover **12** and withdraw it along with intensifier Sleeve **28** and 'O' Rings **10** and **13**.
- Insert Rod* through the connector orifice at the front of the intensifier body and tap out Piston Rod **9** and Piston Assembly.
- Using a suitable Allen Key*, unscrew two Screws **25** and remove End Cover **12** from intensifier Sleeve **28**.
- Remove Seal Plug **7** with spanner*.
- Insert rod* through connector orifice at the front of the intensifier body and push out Seal Housing **5** and associated 'O' rings and lip seals.
- Remove Valve Housing Assembly **34** from the main body with a suitable spanner*. Clean by blowing through with a low-pressure air jet.
- Remove Piston Rod **9** from intensifier Air Piston **11** by gripping the first 20 mm (3/4") of the rod in a vice fitted with soft jaws, taking care not to damage or mark the working surface.
- Unscrew locking Nut **17** with a suitable spanner*.
- Assemble in the reverse order of dismantling, observing the following:
 - Clean all parts and renew all 'O' rings.
 - Lubricate all seals using Moly Lithium grease.
 - Valve Housing Assembly **34** must be refitted using a thread sealing adhesive.

* Refers to items included in the 0753 MkII Service Kit. For complete list see page 14.
Item numbers in **bold** refer to the illustration and parts list opposite.

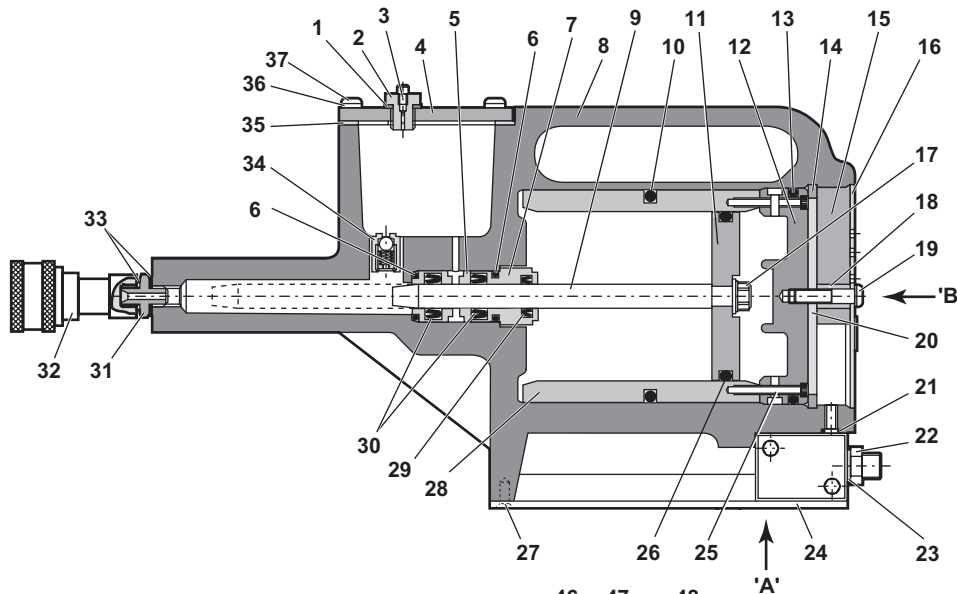
- Assemble the Piston Assembly using a new Nut **17**.
- End Cover **12** must be fitted correctly inside Retaining Ring **14**. The tool must not be operated if the end cover has been omitted.

IMPORTANT
Priming is ALWAYS necessary after the tool has been dismantled and prior to operating.

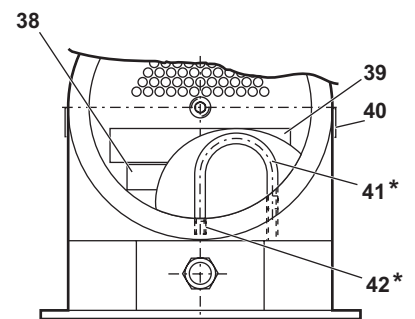
6.5 PROTECTING THE ENVIRONMENT

Assure conformity with applicable disposal regulations. Dispose all waste products at an approved waste facility or site so as not to expose personnel and the environment to hazards.

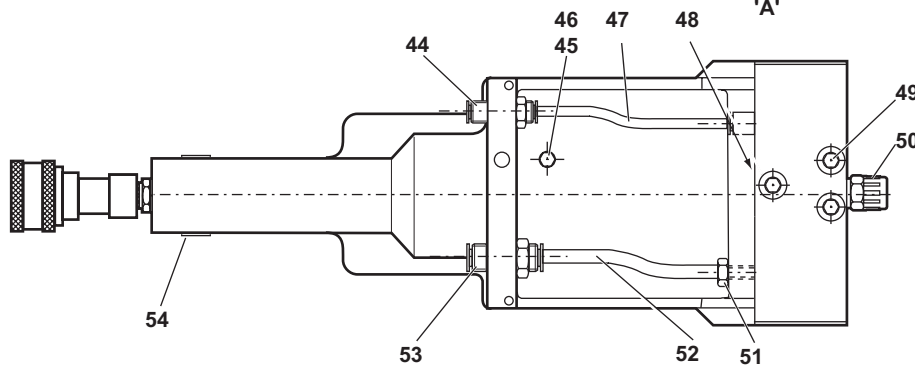
6.6 INTENSIFIER 07531-02200



Note
 * Some units will not include these items (The required link is achieved via internal porting).



VIEW ON ARROW 'B'



VIEW ON ARROW 'A'

VIEW ILLUSTRATING FESTO VALVE

VIEW ILLUSTRATING COMPAIR VALVE

* Refers to items included in the 0753 MkII Service Kit. For complete list see page 14. Item numbers in **bold** refer to the illustration and parts list opposite.

07531-02200 PARTS LIST									
ITEM	PART N°	DESCRIPTION	QTY	SPARES	ITEM	PART N°	DESCRIPTION	QTY	SPARES
1	07003-00037	SEAL	1	1	28	07531-00201	SLEEVE	1	-
2	07240-00211	FILLER SCREW	1	-	29	07003-00337	LIP SEAL	1	1
3	07001-00418	BLEED SCREW	1	1	30	07003-00336	LIP SEAL	2	2
4	07240-00210	COVER PLATE	1	-	31	07005-00406	CONNECTOR	1	-
5	71420-02006	SEAL HOUSING	1	-	32	07005-00759	QUICK RELEASE CON-NECTOR	1	-
6	07003-00153	'O' RING	2	-	33	07003-00142	SEAL	2	1
7	71420-02007	SEAL PLUG	1	-	34	07240-00400	VALVE HOUSING AS-SEMBLY	1	-
8	71420-02300	BODY ASSEMBLY	1	-	35	07240-00209	GASKET	1	1
9	71420-02008	PISTON ROD	1	-	36	07002-00073	WASHER	4	1
10	07003-00182	'O' RING	1	1	37	07001-00554	SCREW	4	1
11	07531-00202	AIR PISTON	1	-	38	07007-01504	LABEL	1	-
12	07531-00204	END COVER	1	-	39	07240-00217	LABEL	1	-
13	07003-00183	'O' RING	1	1	40	07531-00205	LABEL	2	-
14	07004-00069	RETAINING RING	1	1	41	07005-00596	* 6mm PLASTIC TUBE	-	-
15	07240-00213	FOAM SILENCER	1	1	42	07245-00103	* VACUUM CONNECTOR	2	-
16	07240-00214	SILENCER COVER	1	-	43	07005-00590	COMPAIR VALVE	1	1
17	07002-00017	NUT	1	1	44	07005-01431	BULKHEAD CONNECTOR	1	1
18	07240-00215	SPACER	1	-	45	07005-00668	M5 PLUG	1	-
19	07001-00417	SCREW	1	1	46	07005-00670	M5 SEALING RING	1	-
20	07240-00216	RETAINING PLATE	1	-	47	07005-01084	4mm PLASTIC TUBE (150mm)	-	-
21	*07003-00042	'O' RING	1	1	48	07005-01524	FESTO VALVE	1	-
22	07005-00041	CONNECTOR	1	-	49	07001-00176	SCREW	3	-
23	07003-00065	WASHER	1	-	50	07007-00292	1/4" BSP REDCAP	1	-
24	07240-00220	PROTECTION PLATE	1	-	51	07005-00647	CONNECTOR	1	-
25	07001-00375	SCREW	2	-	52	07005-01085	6mm PLASTIC TUBE (150mm)	-	-
26	07003-00238	'O' RING	1	1	53	07005-00855	BULKHEAD UNION	1	-
27	07001-00396	SCREW	4	-	54	73200-02022	SAFETY LABEL	1	-

7. PRIMING

Priming is ALWAYS necessary after the tool has been dismantled and prior to operating. It may also be necessary to restore the full stroke after considerable use, when the stroke may be reduced and fasteners are not fully placed by one operation of the trigger.

7.1 OIL DETAILS

The recommended oil for priming is Hyspin® VG32 and AWS 32 available in 0.5l (part number 07992-00002) or one gallon containers (part number 07992-00006). Please see safety data below.

7.2 HYSPIN® VG32 AND AWS 32 OIL SAFETY DATA

First Aid

SKIN:

Wash thoroughly with soap and water as soon as possible. Casual contact requires no immediate attention. Short term contact requires no immediate attention.

INGESTION:

Seek medical attention immediately. DO NOT induce vomiting.

EYES:

Irrigate immediately with water for several minutes. Although NOT a primary irritant, minor irritation may occur following contact.

Fire

Suitable extinguishing media: CO₂, dry powder, foam or water fog. DO NOT use water jets.

Environment

WASTE DISPOSAL: Through authorised contractor to a licensed site. May be incinerated. Used product may be sent for reclamation.

SPILLAGE: Prevent entry into drains, sewers and water courses. Soak up with absorbent material.

Handling

Wear eye protection, impervious gloves (e.g. of PVC) and a plastic apron. Use in well ventilated area.

Storage

No special precautions.

7.3 PRIMING PROCEDURE

IMPORTANT

DO NOT OPERATE THE TRIGGER WHILE THE BLEED SCREW IS REMOVED

All operations should be carried out on a clean bench, with clean hands in a clean area.

Ensure that the new oil is perfectly clean and free from air bubbles.

Care **MUST** be taken at all times, to ensure that no foreign matter enters the tool, or serious damage may result.

- Remove Screw **2** and Seal **1** from Plastic Cover plate **4** on the intensifier reservoir.
- Pour the priming oil into the reservoir until it is approximately 1/2" (12mm) from the top.
- Replace Screw **2** and Seal **1**.
- Connect the intensifier unit to the air supply. Remove screw from reservoir.
- With the 07536 pistol unit fitted to the intensifier unit and held below the level of the intensifier unit, unscrew Bleed Screw **64** from Bleed Plug Assembly **43** on the 07536 tool two turns and allow oil to flow out of the tool.
- When the oil runs freely and free of air bubbles, tighten the bleed screw.
- Top up the reservoir on the intensifier unit with priming oil.
- Cycle the tool until any air bubbles present in the oil are expelled into the oil reservoir.

Item numbers in **bold** refer to the general assemblies and parts lists pages 18-21.

8. FAULT DIAGNOSIS

SYMPTOM	POSSIBLE CAUSE	REMEDY	PAGE REF.
Tool will not place fastener	Low air pressure.	Increase air pressure	
	Lack of lubrication.	Lubricate tool at air inlet point	
	High broach load.	Check fastener grip and application hole size	
	Check for correct size mandrel.		
	Tail jaws switched off.	Switch on tail jaws	
	Air in hydraulic system.	See 'Priming Procedure'	23
	'Mandrel Slip' - jaws will not grip mandrel	Worn or dirty tail jaws.	Clean or renew as necessary
'Insufficient air pressure/volume.		Increase air pressure/volume	
'Tail jaw switch inoperable.		Replace switch	
'Air leaks to tail jaws.		Renew 'O' rings on piston 11	
Mandrel broken and not reaching tail jaws.		Replace mandrel	
Fault in pneumatic control box.		Contact Stanley Engineered Fastening personnel	
Jaws will not release mandrel	Dirty tail jaws or jaw housing.	Clean and lubricate	
	Faulty tail jaw switch.	Replace 'O' rings	
	Trapped air signal	Check pneumatic lines	
	Fault in pneumatic control box	Contact Stanley Engineered Fastening personnel	
Fasteners will not feed through nose jaws	Tail jaws not switched on.	Switch on tail jaws	
	Worn tail jaws.	Renew tail jaws	
	Cursor orientation incorrect.	Refit, ensuring correct orientation	
	Incorrect cursor	Fit correct cursor	
	Incorrect nose jaws.	Fit correct nose jaws	
	Mandrel follower spring not fitted.	Fit correct mandrel follower spring	
	Mandrel follower length	Fit correct mandrel follower	
	Incorrect gap between fastener head and nose jaws when loaded.	Set gap to 1.5mm - 3mm (1/16" - 1/8") See 'Loading the Tool'	11-12
	Cursor sticking.	Clean and oil cursor	
	worn air cursor	Renew cursor	
	Incorrect mandrel follower spring fitted.	Fit correct mandrel follower spring	
Worn or broken barrel return spring	Replace barrel return spring		
Excessive tail jaw wear	High broach load.	Check application hole size and thickness and fastener grip capability	
Feeding more than one fastener at a time	Mandrel slip.	Check as for 'Mandrel Slip', stage 2	
	Incorrect gap between fastener head and nose jaws when loaded	Set gap to 1.5mm - 3mm (1/16" - 1/8") See 'Loading the Tool' on page	11-12

Other symptoms or failures should be reported to your local Stanley Engineered Fastening authorised distributor or repair centre.

NOTES

9. EC DECLARATION OF CONFORMITY

We, **Stanley Engineered Fastening, Stanley House, Works Road, Letchworth Garden City, Hertfordshire, SG6 1JY UNITED KINGDOM**, declare under our sole responsibility that the product:

Description: **Hydro-Pneumatic Repetition Tool for Speed Rivets**

Model: **07536**

to which this declaration relates is in conformity with the following harmonized standards:

ISO 12100:2010	EN ISO 3744:2010
EN ISO 11202:2010	EN ISO 11148-1:2011
EN ISO 4413:2010	BS EN 28662-1:1993
EN ISO 4414:2010	EN ISO 20643:2008+A1:2012
EN ISO 28927-5:2009+A1:2015	ES100118-rev 17:2017

Technical documentation is compiled in accordance with Annex VII, in accordance with the following Directive: **2006/42/EC The Machinery Directive** (Statutory Instruments 2008 No 1597 - The Supply of Machinery (Safety) Regulations refers).

The undersigned makes this declaration on behalf of STANLEY Engineered Fastening



A. K. Seewraj
Director of Engineering, UK

Avdel UK Limited, Stanley House, Works Road, Letchworth Garden City, Hertfordshire,
SG6 1JY UNITED KINGDOM

Place of issue: **Letchworth Garden City, UK**

Date of issue: **01-01-2021**

The undersigned is responsible for compilation of the technical file for products sold in the European Union and makes this declaration on behalf of Stanley Engineered Fastening.

Matthias Appel

Team Leader Technical Documentation

Stanley Engineered Fastening, Tucker GmbH, Max-Eyth-Str.1,
35394 Gießen, Germany



**This machinery is in conformity with
Machinery Directive 2006/42/EC**

STANLEY
Engineered Fastening

10. UK DECLARATION OF CONFORMITY

We, **Stanley Engineered Fastening, Stanley House, Works Road, Letchworth Garden City, Hertfordshire, SG6 1JY UNITED KINGDOM**, declare under our sole responsibility that the product:

Description: **Hydro-Pneumatic Repetition Tool for Speed Rivets**

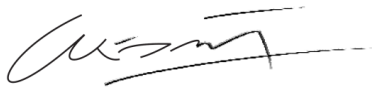
Model: **07536**

to which this declaration relates is in conformity with the following designated standards:

ISO 12100:2010	EN ISO 3744:2010
EN ISO 11202:2010	EN ISO 11148-1:2011
EN ISO 4413:2010	BS EN 28662-1:1993
EN ISO 4414:2010	EN ISO 20643:2008+A1:2012
EN ISO 28927-5:2009+A1:2015	ES100118-rev 17:2017

Technical documentation is compiled in accordance with the Supply of Machinery (Safety) Regulations 2008, S.I. 2008/1597 (as amended).

The undersigned makes this declaration on behalf of STANLEY Engineered Fastening



A. K. Seewraj

Director of Engineering, UK

Avdel UK Limited, Stanley House, Works Road, Letchworth Garden City, Hertfordshire, SG6 1JY UNITED KINGDOM

Place of issue: **Letchworth Garden City, UK**

Date of issue: **01-01-2021**



This machinery is in conformity with
Supply of Machinery (Safety) Regulations 2008,
S.I. 2008/1597 (as amended)

11.PROTECT YOUR INVESTMENT!

Stanley® Engineered Fastening BLIND RIVET TOOL WARRANTY

STANLEY® Engineered Fastening warrants that all power tools have been carefully manufactured and that they will be free from defect in material and workmanship under normal use and service for a period of one (1) year.

This warranty applies to the first time purchaser of the tool for original use only.

Exclusions:

Normal wear and tear.

Periodic maintenance, repair and replacement parts due to normal wear and tear are excluded from coverage.

Abuse & Misuse.

Defect or damage that results from improper operation, storage, misuse or abuse, accident or neglect, such as physical damage are excluded from coverage.

Unauthorized Service or Modification.

Defects or damages resulting from service, testing adjustment, installation, maintenance, alteration or modification in any way by anyone other than STANLEY® Engineered Fastening, or its authorized service centres, are excluded from coverage.

All other warranties, whether expressed or implied, including any warranties of merchantability or fitness for purpose are hereby excluded.

Should this tool fail to meet the warranty, promptly return the tool to our factory authorized service centre location nearest you. For a list of STANLEY® Engineered Fastening Authorized Service Centres in the US or Canada, contact us at our toll free number (877)364 2781.

Outside the US and Canada, visit our website **www.StanleyEngineeredFastening.com** to find your nearest STANLEY Engineered Fastening location.

STANLEY Engineered Fastening will then replace, free of charge, any part or parts found by us to be defective due to faulty material or workmanship, and return the tool prepaid. This represents our sole obligation under this warranty.

In no event shall STANLEY Engineered Fastening be liable for any consequential or special damages arising out of the purchase or use of this tool.

Register Your Blind Rivet Tool online.

To register your warranty online, visit us at

<https://www.stanleyengineeredfastening.com/support/warranty-registration-form>

Thank you for choosing a STANLEY® Engineered Fastening's Stanley Assembly Technologies Brand tool.

©2021 Stanley Black & Decker inc.
Tous droits réservés.

Les informations fournies ne peuvent être ni reproduites ni rendues publiques de quelque façon que ce soit et par quelque moyen que ce soit (électronique ou mécanique) sans autorisation préalable, expresse et écrite, de STANLEY Engineered Fastening. Les informations fournies sont issues des données connues au moment de la sortie de ce produit. STANLEY Engineered Fastening adopte une politique d'amélioration permanente de ses produits et ces derniers peuvent donc faire l'objet de modifications. Les informations fournies s'appliquent au produit tel que livré par STANLEY Engineered Fastening. Par conséquent, STANLEY Engineered Fastening ne saurait être tenu responsable des dommages résultant de différences avec les caractéristiques d'origine du produit.

Les informations disponibles ont été rédigées avec le plus grand soin. Toutefois, STANLEY Engineered Fastening rejette toute responsabilité concernant les éventuelles erreurs dans les informations et les conséquences qu'elles pourraient entraîner. STANLEY Engineered Fastening rejette toute responsabilité quant aux dommages résultant d'activités effectuées par des tiers. Les appellations, noms commerciaux, marques commerciales déposées, etc. utilisés par STANLEY Engineered Fastening ne sont pas libres de droit, conformément à la législation sur la protection des marques.

1. DÉFINITIONS LIÉES À LA SÉCURITÉ	30
1.1 RÈGLES DE SÉCURITÉ GÉNÉRALE	30
1.2 RISQUES DE PROJECTIONS	30
1.3 RISQUES LIÉS AU FONCTIONNEMENT	31
1.4 RISQUES LIÉS À LA RÉPÉTITION DES MOUVEMENTS	31
1.5 RISQUES LIÉS AUX ACCESSOIRES.....	31
1.6 RISQUES LIÉS AU POSTE DE TRAVAIL.....	31
1.7 RISQUES LIÉS AU BRUIT.....	32
1.8 RISQUES LIÉS AUX VIBRATIONS	32
1.9 CONSIGNES DE SÉCURITÉ SUPPLÉMENTAIRES PROPRES AUX OUTILS PNEUMATIQUES ET HYDRAULIQUES.....	32
2. CARACTÉRISTIQUES	33
2.1 CARACTÉRISTIQUES POUR L'OUTIL 07536	33
2.2 CARACTÉRISTIQUES POUR LA TÊTE DE RIVETAGE 07531.....	33
3. UTILISATION PRÉVUE	34
3.1 DIMENSIONS DE L'OUTIL - MODÈLE 07536.....	34
4. MISE EN SERVICE.....	35
4.1 ALIMENTATION EN AIR	35
4.2 CURSEURS À AIR.....	36
4.3 REMPLIR ET RÉEMPLIR L'OUTIL	36
4.4 PROCÉDURE D'UTILISATION.....	38
5. RÉVISION DE L'OUTIL	39
5.1 BOÎTIER DE COMMANDE PNEUMATIQUE	39
5.2 TOUS LES JOURS.....	39
5.3 TOUTES LES SEMAINES.....	39
5.4 DONNÉES DE SÉCURITÉ GRAISSE MOLY LITHIUM EP 3753	39
5.5 KIT DE RÉVISION	40
5.6 OUTIL CURSEUR À AIR, TÊTE DE RIVETAGE ET ENSEMBLE BOÎTIER DE COMMANDE 07536-02100	41
6. MAINTENANCE.....	42
6.1 DÉMONTER LE 07536-02200.....	42
6.2 PLAN D'ENSEMBLE DE L'OUTIL DE BASE 07536-02200.....	45
6.3 NOMENCLATURE DE L'OUTIL DE BASE 07536-02200	46
6.4 INSTRUCTIONS POUR LE DÉMONTAGE	47
6.5 PROTECTION DE L'ENVIRONNEMENT.....	48
6.6 TÊTE DE RIVETAGE 07531-02200	48
7. AMORÇAGE	50
7.1 DÉTAILS CONCERNANT L'HUILE	50
7.2 FICHE DE SÉCURITÉ HUILE HYPIN® VG32 ET AWS 32.....	50
7.3 PROCÉDURE POUR L'AMORÇAGE	50
8. DIAGNOSTIC DE PANNES.....	51
9. DÉCLARATION DE CONFORMITÉ CE	53
10. DÉCLARATION DE CONFORMITÉ ROYAUME-UNI	54
11. PROTÉGEZ VOTRE INVESTISSEMENT !.....	55



Ce manuel d'utilisation doit être lu par toutes les personnes qui installent ou qui utilisent cet outil, avec une attention particulière pour les consignes de sécurité qui suivent.



Veillez à toujours porter une protection oculaire pouvant résister aux impacts lorsque vous utilisez l'outil. La classe de protection nécessaire doit être définie en fonction de chaque utilisation.







Veillez à porter des protections auditives conformément aux instructions de votre employeur et telles que prescrites par la réglementation sur la santé et la sécurité au travail.



L'utilisation de l'outil peut exposer les mains de l'opérateur à des risques et notamment à un écrasement, des chocs, des coupures, des éraflures et des brûlures. Portez des gants adaptés pour protéger vos mains.

1. DÉFINITIONS LIÉES À LA SÉCURITÉ

Les définitions ci-dessous décrivent le niveau de gravité de chaque mention d'avertissement. Veillez à lire le manuel et à faire attention à ces symboles.

-  **DANGER** : Indique une situation de risque imminent, qui conduit, si elle n'est pas évitée, à la mort ou à de graves blessures.
-  **AVERTISSEMENT** : Indique une situation potentiellement risquée, qui pourrait, si elle n'est pas évitée, entraîner la mort ou de graves blessures.
-  **ATTENTION** : Indique une situation potentiellement risquée, qui peut, si elle n'est pas évitée, entraîner des blessures mineures ou légères.
-  **ATTENTION** : L'utilisation de ce mot sans symbole d'avertissement indique une situation potentiellement risquée, qui peut, si elle n'est pas évitée, entraîner des dégâts matériels.

L'utilisation ou la maintenance incorrectes de ce produit peut conduire à de graves blessures et des dommages matériels. Veillez à lire à bien comprendre tous les avertissements et toutes les instructions d'utilisation avant d'utiliser cet équipement. L'utilisation d'outils électriques impose le respect des consignes de sécurité de base afin de réduire le risque de blessure.

CONSERVEZ TOUS LES AVERTISSEMENTS ET TOUTES LES CONSIGNES POUR POUVOIR VOUS Y RÉFÉRER DANS LE FUTUR

1.1 RÈGLES DE SÉCURITÉ GÉNÉRALE

- En raison des nombreux risques existant, veillez à lire et à assimiler les consignes de sécurité avant d'installer l'outil, de le faire fonctionner, de le réparer, d'en effectuer la maintenance et avant de remplacer un accessoire ou de travailler à proximité de l'outil. Le non-respect de cette consigne peut entraîner de graves blessures.
- L'installation, le réglage et l'utilisation de l'outil sont réservés aux seuls opérateurs, qualifiés et correctement formés.
- N'utilisez PAS l'outil à d'autres fins que l'utilisation prévue, à savoir, la pose de rivets aveugles STANLEY Engineered Fastening.
- N'utilisez que des pièces, des fixations et des accessoires, recommandés par le fabricant.
- NE modifiez PAS l'outil. Les modifications peuvent réduire l'efficacité des dispositifs de sécurité et augmenter les risques encourus par l'opérateur. Toute modification de l'outil réalisée par le client l'est sous sa propre et entière responsabilité et aura pour conséquence d'annuler toute garantie applicable.
- Ne jetez pas les consignes de sécurité ; transmettez-les à l'opérateur.
- N'utilisez pas l'outil s'il a été endommagé.
- Avant utilisation, vérifiez que les pièces mobiles sont alignées correctement et qu'elles ne sont pas coincées. Vérifiez l'absence de rupture de pièces ainsi que toute autre condition qui pourrait nuire au bon fonctionnement de l'outil. En cas de dommage, faites réparer l'outil avant de l'utiliser. Retirez toutes les clés ou pinces de réglage avant l'utilisation.
- Les outils doivent être inspectés périodiquement afin de contrôler que les valeurs nominales et les marquages prescrits par la partie applicable de la norme ISO 11148 figurent lisiblement sur l'outil. L'employeur/l'utilisateur doit contacter le fabricant pour obtenir des étiquettes de marquage de rechange en cas de nécessité.
- L'outil doit en permanence être conservé en bon état de marche, l'absence de dommages et son bon fonctionnement doivent être vérifiés à intervalles réguliers par du personnel qualifié. Les opérations de démontage sont réservées aux seules personnes qualifiées. Ne démontez pas cet outil sans avoir au préalable consulté les instructions liées à la maintenance.

1.2 RISQUES DE PROJECTIONS

- Débranchez l'outil de l'alimentation en air avant d'effectuer toute opération de maintenance, de réglage ou de fixer et de retirer l'embout de rivetage ou un accessoire.
- Gardez à l'esprit qu'une défaillance de l'ouvrage ou des accessoires, ou même de l'outil inséré peut engendrer leur projection à grande vitesse.

- Veillez à toujours porter une protection oculaire pouvant résister aux impacts lorsque vous utilisez l'outil. La classe de protection nécessaire doit être définie en fonction de chaque utilisation.
- Il est également nécessaire, au même moment, de définir les risques possibles pour les tiers.
- Veillez à ce que l'ouvrage soit fixé de façon sûre.
- Contrôlez que les moyens de protection contre l'éjection des fixations et/ou des mandrins sont correctement en place et opérationnels.
- Restez vigilant par rapport la possible éjection des mandrins par l'avant de l'outil.
- NE FAITES PAS fonctionner l'outil en le pointant directement vers quiconque.

1.3 RISQUES LIÉS AU FONCTIONNEMENT

- L'utilisation de l'outil peut exposer les mains de l'opérateur à des risques dont l'écrasement, les coups, les coupures, les éraflures et la chaleur. Portez des gants adaptés pour protéger vos mains.
- Les opérateurs et le personnel de maintenance doivent être physiquement capables d'appréhender le volume, le poids et la puissance de l'outil.
- Tenez correctement l'outil ; restez prêt à contrer les mouvements normaux ou soudains, gardez vos deux mains disponibles.
- Gardez les poignées de l'outil sèches, propres et exemptes d'huile ou de graisse.
- Conservez une posture équilibré et gardez vos pieds bien ancrés au sol lorsque vous utilisez l'outil.
- Relâchez le dispositif de mise en marche/arrêt en cas de coupure de l'alimentation hydraulique.
- N'utilisez que les lubrifiants recommandés par le fabricant.
- Évitez tout contact avec le fluide hydraulique. Afin de minimiser le risque d'éventuelles irrptions cutanées, rincez abondamment en cas de contact.
- Les fiches de données de sécurité pour toutes les huiles hydrauliques et tous les lubrifiants sont disponibles sur demande auprès du fournisseur de votre outil.
- Évitez toutes les postures inadaptées car elles ne permettent pas de contrer les mouvements normaux ou inattendus de l'outil.
- Si l'outil est installé sur un dispositif de suspension, veillez à qu'il soit correctement sécurisé.
- Gardez à l'esprit le risque d'écrasement ou de pincement si l'embout de pose n'est pas installé.
- N'utilisez PAS l'outil si le porte-embout n'est pas en place.
- Le dégagement des mains de l'utilisateur de l'outil est nécessaire avant l'intervention.
- Si vous déplacez l'outil d'un endroit à un autre, gardez vos mains loin de la gâchette afin d'éviter tout déclenchement accidentel.
- NE maltraitez PAS l'outil en le faisant tomber ou en vous en servant comme d'un marteau.
- Veillez à vous assurer que les restes de mandrins ne représentent pas un danger.

1.4 RISQUES LIÉS À LA RÉPÉTITION DES MOUVEMENTS

- Pendant l'utilisation de l'outil, il est possible que l'opérateur ressente un certain inconfort dans la mains, les bras, les épaules, le cou ou d'autres parties du corps.
- Pendant l'utilisation de l'outil, l'opérateur doit adopter une posture confortable mais sûre et éviter les maladresses et les déséquilibres. L'utilisateur doit changer de position au cours des longues opérations pour aider à éviter l'inconfort et la fatigue.
- Si l'opérateur présente des symptômes persistants et récurrents tels qu'un inconfort, des douleurs, des endolorissements, des picotements, des engourdissements, des sensations de brûlure ou des rigidités, n'ignorez pas ces signaux d'alerte. L'opérateur doit en référer à son employeur et consultez un professionnel de santé spécialisé.

1.5 RISQUES LIÉS AUX ACCESSOIRES

- Débranchez l'outil de l'alimentation en air avant d'installer ou de retirer l'embout de rivetage ou un accessoire.
- N'utilisez que des accessoires et des consommables de la taille et du type recommandés par le fabricant de l'outil. N'utilisez pas d'autres types ou tailles d'accessoires ou de consommables.

1.6 RISQUES LIÉS AU POSTE DE TRAVAIL

- Les glissades, les trébuchements et les chutes sont les causes principales des accidents de travail. Faites attention aux surfaces glissantes dues à l'utilisation de l'outil ainsi qu'aux risques de trébuchement que représentent les flexibles pneumatiques.
- Soyez prudent dans les environnements inconnus. Ils peuvent présenter des risques cachés, comme les risques liés à l'électricité ou aux autres réseaux de fluides.
- L'outil n'est pas conçu pour être utilisé dans des environnements potentiellement explosifs et elle n'est pas isolée contre les contacts électriques.
- Assurez-vous de l'absence de câbles électriques, de canalisations de gaz, etc. qui pourraient créer un risque s'ils sont endommagés pendant l'utilisation de l'outil.
- Portez des vêtements appropriés. Ne portez aucuns vêtements amples, ni bijoux. Gardez vos cheveux, vos vêtements et vos gants loin des pièces mobiles. Les vêtements amples, les bijoux et les cheveux longs peuvent se trouver pris dans les pièces mobiles.
- Veillez à vous assurer que les restes de mandrins ne représentent pas un danger.

1.7 RISQUES LIÉS AU BRUIT

- Toute exposition à des niveaux sonores élevés peut provoquer une perte de l'ouïe invalidante et permanente ainsi que d'autres problèmes tels que des acouphènes (tintements, bourdonnements, sifflements ou ronronnements dans les oreilles). C'est la raison pour laquelle, l'évaluation des risques et la mise en œuvre de contrôles adaptés à ces risques sont essentiels.
- Les contrôles adaptés pour réduire ces risques peuvent inclure des actions comme la mise en place de matériaux insonorisants pour empêcher les ouvrages de "résonner".
- Utilisez une protection auditive conformément aux instructions de votre employeur et telle que prescrite par la réglementation sur la santé et la sécurité au travail.
- Utilisez et entretenez l'outil de la façon recommandée dans la présente notice, afin d'empêcher l'augmentation inutile du niveau sonore.

1.8 RISQUES LIÉS AUX VIBRATIONS

- L'exposition aux vibrations peut engendrer des dommages invalidants sur les nerfs et la circulation sanguine au niveau des mains et des bras.
- Portez des vêtements chauds lorsque vous travaillez dans le froid et gardez vos mains au chaud et au sec.
- Si vous ressentez des engourdissements, des picotements, des douleurs ou que la peau de vos doigts et de vos mains blanchit, n'utilisez plus l'outil, avertissez votre employeur et consultez un médecin.
- Soutenez, autant que possible, le poids de l'outil à l'aide d'un socle, d'un dispositif tenseur ou d'un balancier car ils permettent ensuite de tenir l'outil avec moins de force.

1.9 CONSIGNES DE SÉCURITÉ SUPPLÉMENTAIRES PROPRES AUX OUTILS PNEUMATIQUES ET HYDRAULIQUES

- L'alimentation en air ne doit pas dépasser 7 bars (100 PSI).
- L'air sous pression peut occasionner de graves blessures.
- Ne laissez jamais l'outil en marche sans surveillance. Débranchez le flexible pneumatique lorsque l'outil n'est pas utilisé, avant de remplacer un accessoire ou pour effectuer des réparations.
- NE laissez PAS l'ouverture d'échappement d'air du bac de récupération des mandrins pointer vers l'opérateur ou d'autres personnes. Ne dirigez jamais l'air vers vous-même ou les autres.
- L'effet "coup de fouet" des flexibles peut occasionner de graves blessures. Contrôlez toujours l'absence de dommages et la bonne fixation des flexibles et des raccords.
- Avant utilisation, vérifiez l'absence de dommage sur la ligne d'air, tous les branchements doivent être correctement faits. Ne faites tomber aucun objet lourd sur les flexibles. Un choc brutal peut occasionner des dommages internes et conduire à la rupture prématurée du flexible.]
- L'air froid doit être dirigé loin des mains.
- Si vous utilisez des raccords universels à tourner (raccords à griffes), des goupilles de blocage doivent être installées et des câbles de sécurité doivent être utilisés comme protection contre les "effets coup de fouet" en cas de défaillance des raccordements flexible/outil ou flexible/flexible.
- Ne soulevez PAS la riveteuse par le flexible. Utilisez toujours la poignée de l'outil.
- Les orifices d'aération ne doivent ni être bouchés, ni être recouverts.
- Gardez le système hydraulique exempt de toute saleté ou corps étranger qui pourraient provoquer la panne de l'outil.
- L'huile sous pression peut provoquer de graves blessures.
- Veillez à inspecter les flexibles hydrauliques pour contrôler l'absence de dommages avant chaque utilisation. Tous les raccords hydrauliques doivent être propres et parfaitement raccordés et serrés avant la mise en marche. Ne faites tomber aucun objet lourd sur les flexibles. Un choc brutal peut occasionner des dommages internes et conduire à la rupture prématurée du flexible.
- Ne tirez PAS et ne déplacez pas la tête de rivetage par les flexibles. Veillez à toujours utiliser la poignée de la machine.
- Veillez à n'utiliser que de l'huile et du matériel propres pour le remplissage.
- Veillez à n'utiliser que des fluides hydrauliques préconisés.
- La température maximum du fluide hydraulique au niveau de l'arrivée est de 100°C (212°F).

▲ AVERTISSEMENT : Bien que l'utilisation normale et correcte des mandrins entraîne naturellement une faible usure et un léger marquage, ils doivent être examinés régulièrement afin de contrôler l'absence de toute usure ou marquage excessifs, en portant une attention particulière au diamètre de la tête, à la zone de préhension de la mâchoire de tige sur le fût ou aux piqûres importantes sur le fût et à toute déformation du mandrin. Le dysfonctionnement des mandrins pendant l'utilisation peuvent sortir de l'outil. Il est de la responsabilité du client de veiller à ce que les mandrins soient remplacés avant d'atteindre un niveau d'usure excessif ou avant le nombre de poses maximum recommandé. Contactez votre représentant STANLEY Engineered Fastening qui vous renseignera sur ce nombre en mesurant la charge soumise à la broche par votre application à l'aide d'un instrument de mesure calibré.

La politique de STANLEY Engineered Fastening prévoit le développement et l'amélioration constants des produits et nous nous réservons le droit de modifier les caractéristiques techniques de tous les produits sans notification préalable.

2. CARACTÉRISTIQUES

2.1 CARACTÉRISTIQUES POUR L'OUTIL 07536

Pression de l'air	Minimum - Maximum	5-7 bars (70 -100 lbf/in ²)
Volume d'air ambiant requis	À 5,1 bars /75 lbf/in ²	2,6 litres (0,09 ft ³)
Course	Minimum	25 mm (1 in)
Force de traction	À 5,5 bars /80 lbf/in ²	3,89 kN (875 lbf)
Durée du cycle	Environ	1 seconde
Poids	Pistolet	1,2 kg (2,64 lb)

2.2 CARACTÉRISTIQUES POUR LA TÊTE DE RIVETAGE 07531

Pression de l'air	Minimum - Maximum	5-7 bars (70 -100 lbf/in ²)
Rapport de multiplication		32:1

Valeurs sonores définies conformément aux tests sonores de la norme ISO 15744 et ISO 3744.		07536
Niveau de puissance sonore pondérée A dB (A), L _{WA}	Incertitude pour le bruit : k _{WA} = 2,3 dB(A)	79,5 dB(A)
Niveau de pression sonore pondérée-A émise au poste de travail dB(A), L _{pA}	Incertitude pour le bruit : k _{pA} = 2,3 dB(A)	68,5 dB(A)
Crête du niveau de pression sonore émis pondéré C dB(C), L _{pC'} crête	Incertitude pour le bruit : k _{pC} = 2,5 dB(C)	96,9 dB(C)
Valeurs des vibrations définies conformément aux tests sur les vibrations de la norme ISO 20643 et ISO 5349.		07536
Niveau des vibrations émises, a _{hd} :	Incertitude pour les vibrations : k = 0,25 m/s ²	0,97 m/s ²
Valeurs des vibrations émises déclarées selon la norme EN 12096		

3. UTILISATION PRÉVUE

L'outil pneumatique 07536 est un outil à main léger conçu pour poser des rivets Avlug® 1/16", ce qui en fait l'outil idéal pour les lignes de rivetage et l'assemblage par lots de nombreuses applications et dans de nombreuses industries.

L'outil à main et la tête de rivetage ont été testés séparément et ensemble. Ils ne doivent être utilisés qu'ensemble et à aucune autre fin que celle prévue. Consultez la section "Mise en service" page 35-38 pour savoir comment procéder au raccordement.

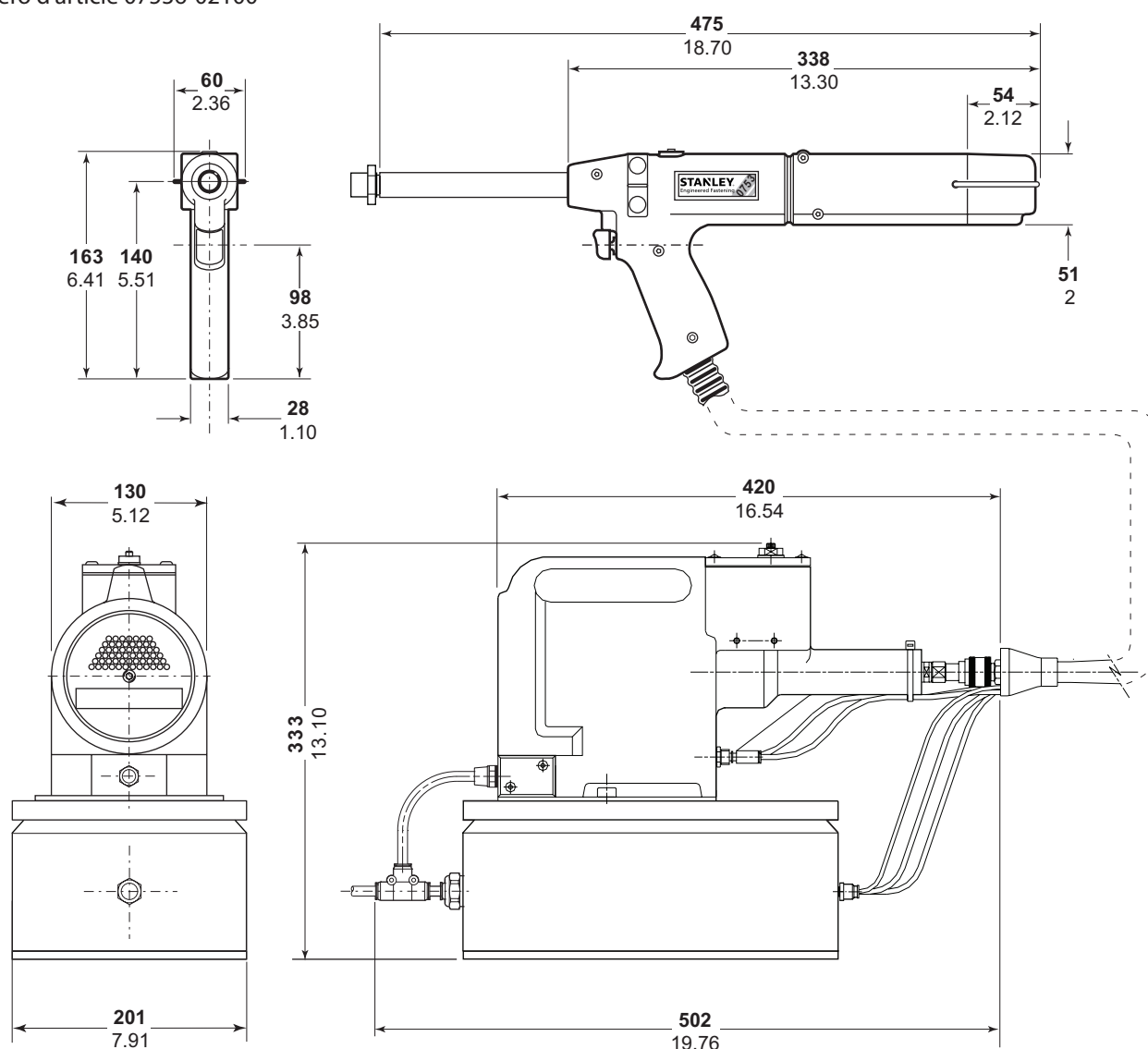
Les numéros de pièces sont indiqués pour pouvoir commander un outil complet mais sans embout.

Le numéro de l'outil pour le modèle 07536 est 07536-02200.
Consultez les plans d'ensemble généraux des pages 41-49.

N'UTILISEZ PAS l'équipement dans un environnement humide ou en présence de liquides ou de gaz inflammables.

3.1 DIMENSIONS DE L'OUTIL - MODÈLE 07536

Numéro d'article 07536-02100



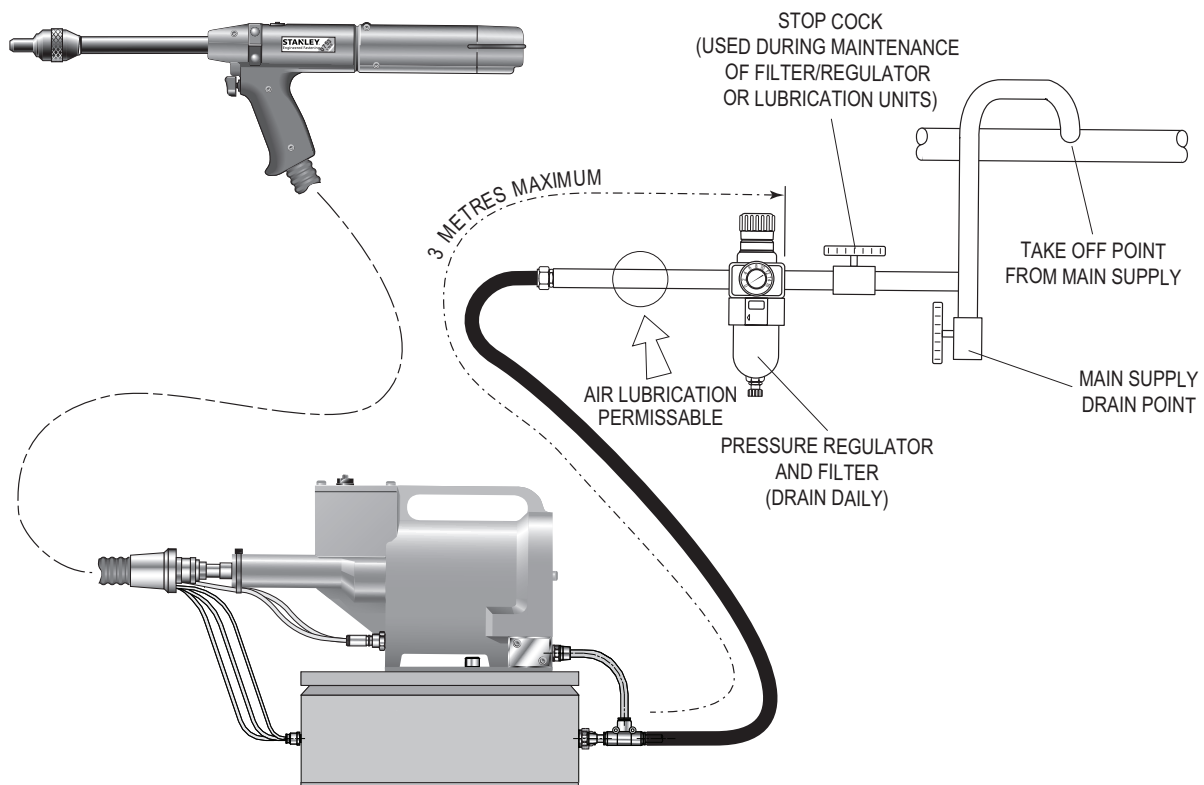
Dimensions en mm.

4. MISE EN SERVICE

4.1 ALIMENTATION EN AIR

Tous les outils fonctionnent avec de l'air comprimé à une pression optimale de 5,5 bars. Nous vous conseillons d'utiliser des régulateurs de pression et des systèmes de graissage et de filtrage automatiques sur le circuit d'air principal. Afin de garantir une durée de vie maximale pour l'outil avec un minimum de maintenance, ils doivent être installés à moins de 3 mètres de l'outil (voir le schéma ci-dessous).

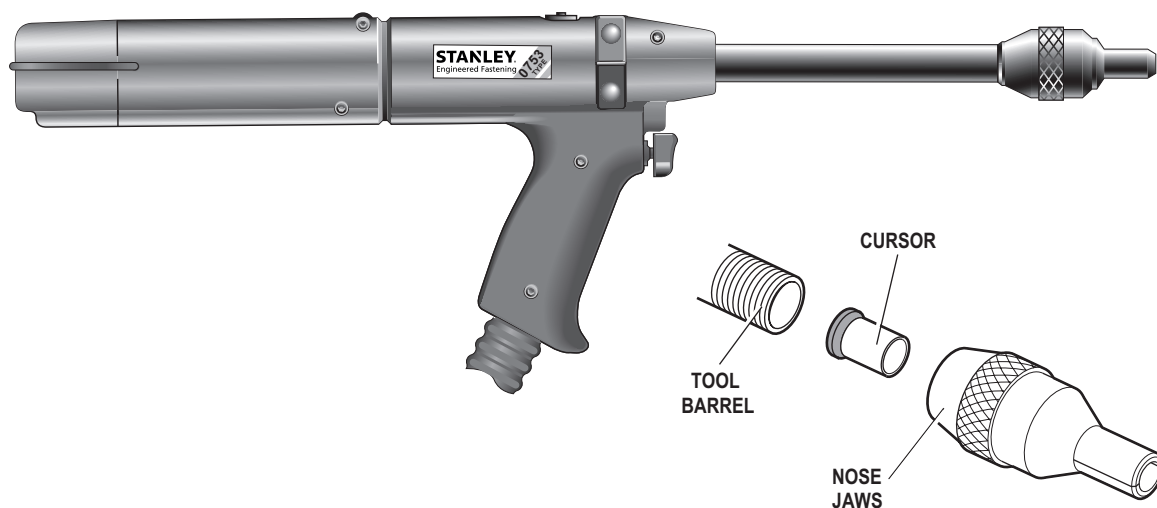
Les flexibles d'arrivée d'air doivent avoir une pression nominale de service minimum de 150% la pression maximum produite par le système ou de 10 bars, le plus élevé devant être appliqué. Les flexibles pneumatiques doivent être résistants à l'huile, leur revêtement extérieur doit résister à l'abrasion et ils doivent être blindés si les conditions de fonctionnement peuvent engendrer leur détérioration. Tous les flexibles pneumatiques DOIVENT avoir un diamètre intérieur minimum de 6,4 millimètres 1/4".



Respectez les étapes ci-dessous au moment de raccorder l'outil à la tête de rivetage et à l'alimentation principale en air :

- Poussez l'extrémité du grand flexible hydraulique de l'outil dans le raccord rapide en extrémité de la tête de rivetage.
- Sur la face avant de la tête de rivetage (consultez la page 41) :
 - Enfoncez la conduite pneumatique bleue (Diam. ext. 4mm) dans le réducteur dans le raccord passe-cloison de gauche.
 - Enfoncez la conduite pneumatique noire (Diam. ext. 4mm) dans le collet en plastique du passe-cloison de droite.
- Sur la face avant du boîtier de commande (consultez la page 41) :
 - Enfoncez la conduite pneumatique argent (Diam. ext. 3mm) dans le réducteur étiqueté "Cursor (Curseur)" sur la face avant du boîtier de commande, côté gauche.
 - Enfoncez la conduite pneumatique verte (Diam. ext. 4mm) dans le réducteur étiqueté "Tail Jaws (Mâchoires de tige)" sur la face avant du boîtier de commande, au milieu.
 - Enfoncez la conduite pneumatique blanche (Diam. ext. 4mm) dans le réducteur étiqueté "Signal" sur la face avant du boîtier de commande, côté droit.
- Installez un flexible pneumatique entre le raccord mâle à l'arrière de la tête de rivetage et l'alimentation en air principale.

4.2 CURSEURS À AIR



Choix du curseur à air

Consultez la fiche technique 07900-00863 pour les composants des embouts de rivetage.

CURSEUR

IMPORTANT

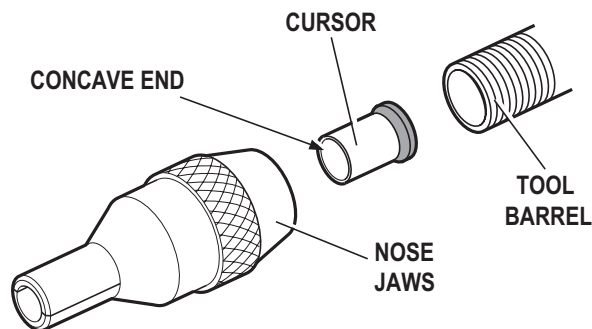
S'il est mal installé, le curseur ne permet pas le réarmement de l'outil et la distribution des fixations.

Bien que le curseur soit correctement installé au moment de la livraison de l'outil, nous vous conseillons de vérifier son orientation avant d'installer l'embout de rivetage. L'extrémité légèrement concave du curseur doit pointer vers l'avant de l'outil, comme le montre l'illustration.

Pour inverser le sens du curseur, procédez comme suit :

Soyez extrêmement prudent en effectuant la procédure suivante. Veillez à éviter le canon et le mandrin en saillie.

- Retirez l'embout de rivetage le cas échéant.
- Insérez complètement un mandrin vide dans l'outil.
- Fermez les mâchoires de tige **32**, en actionnant l'interrupteur de la mâchoire de tige (élément **18** et **19**).
- Le curseur ressort du canon après un court instant.
- Ouvrez les mâchoires de tige **32**, en actionnant l'interrupteur de la mâchoire de tige (élément **18** et **19**), cela libère le mandrin.
- Retirez le curseur du mandrin et insérez-le dans le canon.



4.3 REMPLIR ET RÉEMPLIR L'OUTIL

IMPORTANT

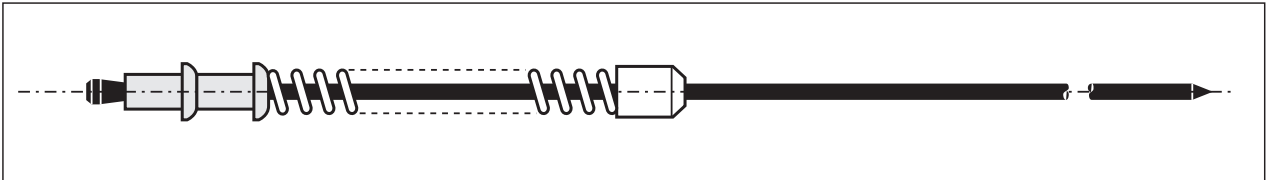
La procédure pour le chargement de l'outil et pour l'installation de l'embout de rivetage est intégrale.

En commandant un outil ou un système complet, vous recevez normalement un embout de rivetage complet pour la fixation à poser.

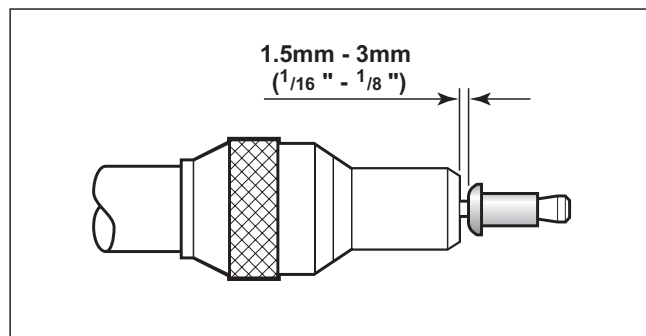
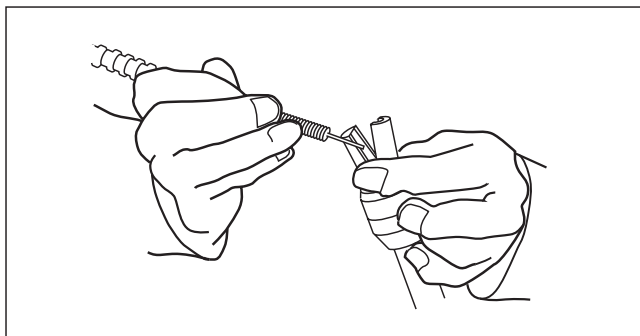
Si une mâchoire d'embout, des mandrins et des ressorts suiveurs de mandrin vous ont été livrés, effectuez le remplissage de l'outil et l'installation de l'embout de rivetage comme indiqué ci-dessous.

Remplir l'outil

- Raccordez l'alimentation en air à l'outil.
- Ouvrez les mâchoires de tige **32** qui retiennent le mandrin en coupant l'interrupteur de la mâchoire de tige (éléments **18** et **19**).
- Vissez les mâchoires d'embout choisies sur le canon **44** de l'outil.
- * Insérez un mandrin dans l'extrémité arrière des fixations par la gaine en papier.
- Glissez le ressort suiveur de mandrin sur le mandrin en veillant à sa bonne orientation.



- En tenant l'extrémité arrière du mandrin, déchirez la gaine en papier autour des fixations.
- Ouvrez les mâchoires d'embout, soit en tournant la bague extérieure sur les mâchoires à came ou en poussant les extrémités des mâchoires vers l'extérieur, comme illustré ci-dessous à gauche.
- Insérez le mandrin précédemment assemblé, le ressort suiveur du mandrin et les fixations dans les mâchoires d'embout jusqu'à ce que la première fixation à riveter dépasse de la mâchoire.
- Refermez les mâchoires d'embout et réglez-les de sorte que la première fixation ressorte de 1,5mm - 3mm ($1/16''$ à $1/8''$), comme indiqué sur l'illustration ci-dessous à droite.
- Fermez les mâchoires de tige **32** pour que le mandrin soit tenu, en allumant l'interrupteur de la mâchoire de tige (éléments **18** et **19**).



Réemplir l'outil

- Ouvrez les mâchoires de tige **32** de l'outil, en coupant l'interrupteur des mâchoires de tige (éléments **18** et **19**).
- Ouvrez les mâchoires d'embout de l'outil et tirez le mandrin vide et le ressort suiveur de mandrin hors de l'outil.
- Remplissez l'outil en respectant les instructions ci-dessus, en commençant par l'étape •*.

Régalez l'outil, Embout de rivetage réglable uniquement

Insérez le mandrin précédemment assemblé (consultez Remplir l'outil •*) ou le mandrin jetable contre la butée à l'intérieur de l'ensemble Piston Mâchoire de tige **60**.

Tout en tenant le mandrin, fermez les mâchoires de tige **32** qui retiennent le mandrin en actionnant l'interrupteur de la mâchoire de tige (**18** et **19**).

Vissez l'écrou de blocage sur le canon **44** de l'outil.

Vissez l'embout de rivetage sur la canon **44**.

Régalez l'embout de rivetage de sorte que la première fixation ressorte de 1,5mm-3mm ($1/16'' - 1/8''$), comme indiqué sur l'illustration page 37.

Serrez l'écrou de blocage contre l'embout de rivetage pour que l'ensemble Mâchoire d'embout ne bouge plus.

Réemplir l'outil

Ouvrez les mâchoires de tige de l'outil, en actionnant l'interrupteur de la mâchoire de tige (**18-19**).

Ouvrez les mâchoires et tirez le mandrin vide et le ressort suiveur hors de l'outil.

Insérez le mandrin neuf contre la butée et fermez les mâchoires de tige **32** qui retiennent le mandrin en actionnant l'interrupteur de la mâchoire de tige (**18 et 19**).

Refermez les mâchoires de tige **32**.

4.4 PROCÉDURE D'UTILISATION

IMPORTANT

Vous devez contrôler que le sens du curseur est bon et que l'embout de rivetage installé est correct, avant de tenter d'utiliser l'outil.

- Poussez complètement la fixation qui ressort des mâchoires d'embout dans les trous de l'ouvrage en veillant à ce que l'outil soit maintenu à l'équerre.
- Actionnez la gâchette sans la relâcher. La tête du mandrin est tirée à travers la fixation, pour déformer la fixation dans l'ouvrage.
- Retirez l'outil.
- Relâchez la gâchette. La fixation qui suit est automatiquement présentée au bout des mâchoires d'embout, prête à être posée.

5. REVISION DE L'OUTIL

Un entretien régulier doit être réalisé et une inspection complète doit être effectuée tous les ans ou tous les 500 000 cycles, au premier des deux termes échus.

IMPORTANT

Il incombe à l'employeur de veiller à ce que les instructions de maintenance de l'outil soient remises au personnel concerné.

L'opérateur ne doit pas prendre part à la maintenance ou à la réparation de l'outil s'il n'a pas été correctement formé.

5.1 BOÎTIER DE COMMANDE PNEUMATIQUE

IMPORTANT

Le boîtier pneumatique ne doit être ouvert sous aucun prétexte. Le boîtier est un élément scellé.

Les réglages internes sont effectués en usine et ils ne doivent être ni altérés, ni modifiés.

Le démontage de ce boîtier de commande est réservé au seul personnel STANLEY Engineered Fastening agréé.

⚠ ATTENTION : N'utilisez jamais de solvants ou autres produits chimiques décapants pour nettoyer les parties non métalliques de l'outil. Ces produits chimiques pourraient fragiliser la matière de ces pièces.

5.2 TOUS LES JOURS

- Chaque jour, avant l'utilisation ou la première mise en service de l'outil. S'il n'y a pas de système de lubrification, versez quelques gouttes d'huile lubrifiante propre dans l'arrivée d'air de la tête de rivetage. Si l'outil est utilisé de façon continue, le flexible pneumatique doit être débranché de l'arrivée d'air principale et l'outil lubrifié toutes les deux à trois heures.
- Vérifiez l'absence de fuite d'air ou d'huile. Les flexibles et les raccords endommagés doivent être remplacés.
- S'il n'y a pas de filtre sur le régulateur de pression, purgez la ligne d'air pour supprimer toutes les saletés ou l'eau accumulées, avant de raccorder le flexible pneumatique à la tête de rivetage. S'il y a un filtre, videz-le.
- Contrôlez le bon état de l'embout de rivetage.
- Contrôlez régulièrement l'absence de signes d'usure ou d'endommagement sur les mandrins en surveillant le nombre de rivetages (consultez les consignes de sécurité page 30-32).

5.3 TOUTES LES SEMAINES

- Exécutez les procédures de la section "Tous les jours" complètement, de la façon décrite ci-dessus.
- Retirez, inspectez, nettoyez et graissez les mâchoires de tige (consultez la section "Cylindre mâchoires de tige", page 42).
- Contrôlez que le niveau d'huile dans le réservoir du module Tête de rivetage est à environ 12mm (1/2") sous le couvercle transparent.

5.4 DONNÉES DE SÉCURITÉ GRAISSE MOLY LITHIUM EP 3753

La graisse peut être commandée seule, le numéro d'article est indiqué à la page Kit de révision 40.

Premiers soins

PEAU :

La graisse étant parfaitement étanche à l'eau il est préférable de la retirer avec un nettoyant émulsifiant pour la peau homologué.

INGESTION :

Veillez à ce que l'individu boive 30ml de lait de magnésie, de préférence dans une tasse de lait.

YEUX :

Irritant mais pas dangereux. Rincez à l'eau et consultez un médecin.

Incendie

POINT ÉCLAIR : Au-dessus de 220°C.

Classé comme non-inflammable.

Moyens d'extinction adaptés : Pulvérisation CO₂, Halon ou eau par une personne qualifiée.

Environnement

Raclez pour incinération ou dépose dans un centre agréé.

Manipulation

Utilisez une crème de protection ou des gants résistants à l'huile.

Stockage

Loin de la chaleur ou d'agents oxydants.

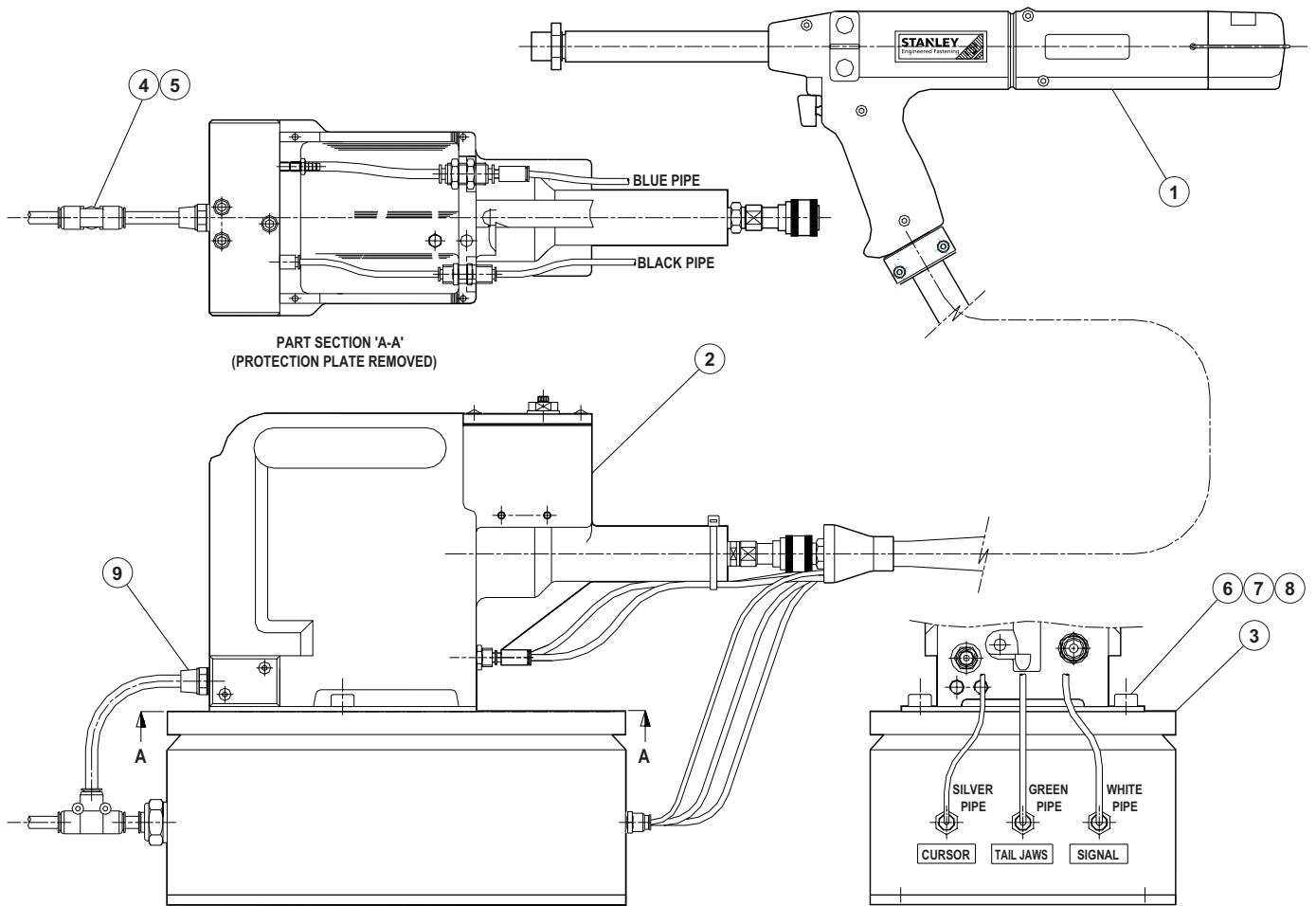
5.5 KIT DE RÉVISION

Pour toutes les révisions, nous vous conseillons d'utiliser le kit de révision (numéro d'article 07900-05300).

KIT DE RÉVISION					
N° D'ARTICLE DE L'ÉLÉMENT	DÉSIGNATION	QTÉ	N° D'ARTICLE DE L'ÉLÉMENT	DÉSIGNATION	QTÉ
07900-00157	PINCE POUR CIRCLIPS	1	07900-00352	CROCHET POUR RETIRER LES JOINTS	1
07900-00006	SPATULE	1	07900-00710	CLÉ POUR LE RETRAIT DU BOUCHON DE CANON	1
07900-00446	EXTRACTEUR	1	07900-00725	MASSELOTTE	1
07900-00603	MÂCHOIRES ÉTAU CANON	1	07900-00243	TOURNEVIS	1
07900-00520	TIGE 3/8"	1	07900-00717	CLÉ POUR TÊTE DE RIVETAGE	1
07900-00521	TIGE 1/4"	1	07900-00013	CLÉ ALLEN 1/8"	1
07900-00602	MASSELOTTE DE MONTAGE POUR JOINT TORIQUE	1	07900-00617	PACK LOCTITE® TOUT JOINT 574 50ml	1
07900-00595	CLÉ 18mm	1	07900-00469	CLÉ ALLEN 2,5mm	1
07900-00434	CLÉ 32mm	1	07900-00351	CLÉ ALLEN 3mm	1
07900-00237	3/8" x 5/16" B.S.W. CLÉ	1	07900-00224	CLÉ ALLEN 4mm	1
07900-00012	CLÉ 9/16" x 5/8"	1	07900-00225	CLÉ ALLEN 5mm	1
07900-00008	CLÉ 7/16" x 1/2"	1	07992-00020	GRAISSE MOLY LITHIUM TIN EP 3753 80g	1

Remarque : La taille des clés est mesurée entre les plats, sauf indication contraire.

5.6 OUTIL CURSEUR À AIR, TÊTE DE RIVETAGE ET ENSEMBLE BOÎTIER DE COMMANDE 07536-02100



ÉLÉMENT	N° D'ARTICLE	DÉSIGNATION	QTÉ
1	07536-02200	OUTIL À MAIN CURSEUR À AIR	1
2	07531-02200	OUTIL TÊTE DE RIVETAGE	1
3	07007-02024	BOÎTIER DE COMMANDE CURSEUR À AIR	1
4	07005-10071	RACCORD EN T	1
5	07005-10072	TUBE 8 MM (2,50 m)	1
6	74405-12080	NUTSERT M8 MODIFIÉ	8
7	07001-00469	CACHE VISSÉ DOUILLE M8 x 15	2
8	07002-00105	RONDELLE M8	4
9	07005-01573	TUBE CONNECTEUR MÂLE 8MM	1
10	07005-01977	RÉDUCTEUR MÂLE/FEMELLE 6MM/4MM	1

6. MAINTENANCE

Tous les 500 000 cycles, l'outil doit être complètement démonté et tous les composants usés, endommagés ou dont le remplacement est recommandé, doivent alors être remplacés. Tous les joints toriques et les joints d'étanchéité doivent être remplacés et lubrifiés avec de la graisse Moly Lithium EP 3753 avant le remontage.

IMPORTANT

Les consignes de sécurité se trouvent à la page 4.

Il incombe à l'employeur de veiller à ce que les instructions de maintenance de l'outil soient remises au personnel concerné.

L'opérateur ne doit pas prendre part à la maintenance ou à la réparation de l'outil s'il n'a pas été correctement formé.

Les flexibles pneumatiques doivent être débranchés avant toute opération de révision ou de démontage, sauf indication spécifique contraire.

Les opérations de démontage doivent toujours être effectuées dans d'excellentes conditions de propreté.

Avant de démonter l'outil, il est nécessaire d'en retirer l'embout.

Pour l'entretien complet de l'outil, nous vous conseillons de procéder au démontage des sous-ensembles dans l'ordre indiqué ci-dessous après avoir débranché le flexible hydraulique de la tête de rivetage, les conduites d'air de la tête de rivetage et du boîtier de commande, séparant ainsi le pistolet de la tête de rivetage.

Les substances potentiellement dangereuses qui peuvent se déposer sur la machine lors des processus de travail doivent être nettoyées avant de procéder à la maintenance.

6.1 DÉMONTER LE 07536-02200

CYLINDRE MÂCHOIRE DE TIGE

- Soulevez le clip de retenue **53** à la main et retirez le bouchon d'extrémité **59**.
- À l'aide d'une clé Allen*, retirez une vis borgne **6** en veillant à ce que tout l'air emprisonné dans le cylindre de la mâchoire de tige s'échappe. Retirez la seconde vis borgne **6**.
- Sortez le bouchon arrière **50**. **Remarque** : Un trou fileté de 5mm se trouve à l'arrière du bouchon pour aider à l'extraction.
- Extrayez les composants pneumatiques de la mâchoire de tige, composés de l'ensemble Piston mâchoire de tige **60**, butée **52**, joint torique **12** et mâchoires **32**.
- Extrayez les composants restants, composés du ressort 36 et du porte-mâchoire **42**.
- La longueur libre du ressort **36** doit être de 38,1mm (1.5"). Remplacez si nécessaire.
- Retirez le joint torique du joint de l'ensemble Piston **11**.
- Débranchez le tube Concertina du curseur à air (vert) **49** du raccord coudé **22**.
- Débranchez le tube Concertina du curseur à air (argent) **38** du coude barbelé **30**.
- À l'aide d'une clé Allen*, retirez les cinq vis de fixation du moule de la poignée **3, 4** et les quatre écrous **8** de la poignée de l'outil.
- Fixez le canon **44** dans un étau souple* pour ne pas l'endommager.
- À l'aide d'une clé à pipe*, dévissez le bouchon du canon **46**, en empêchant le canon **44** de tourner à l'aide d'une clé plate*.
- Tirez le cylindre la mâchoire de tige **47** hors de l'outil.
- Retirez le joint torique **14**, la bande en caoutchouc **41** et le ressort de rappel du canon **37**.
- Enduisez la face des mâchoires de tige **32** en contact avec le porte-mâchoires **42** de graisse Moly-lithium avant l'assemblage.
- Remontez dans le sens inverse.

* Fait référence aux éléments fournis dans le kit de révision 0753 MkII. Pour obtenir la liste complète, consultez la page 40. Les numéros d'éléments en **gras** font référence aux plans d'ensemble et aux nomenclatures des pages 45, 46 et .

PISTON HYDRAULIQUE

- Retirez le cylindre de la mâchoire de tige **47**, comme décrit plus haut.
- Fixez le corps **45** dans un étau souple* pour ne pas l'endommager. retirez le limiteur de course **40**.
- À l'aide d'une clé Allen*, desserrez la vis **5** qui fixe le bloc de commutation **54** sur le canon **44**.
- Tenez l'outil fermement et tirez le canon **44** hors du corps **45** (il se peut qu'un peu d'huile hydraulique soit éjectée hors de la tête).
- Retirez le piston **39** avec soin pour ne pas endommager le trou fileté du corps.
- Retirez le joint **16**.
- Le joint **17** est difficile à retirer sans l'endommager mais il peut rester en place pendant le nettoyage (à condition qu'il soit épargné lors de la procédure de nettoyage). Si le joint **17** doit malgré tout être remplacé, procédez comme suit :
- À l'aide d'une spatule*, retirez le joint **17** du corps **45**, en prenant soin de ne pas endommager la cavité et les trous du corps. Le joint **17** usagé DOIT être jeté.
- Pour remplacer le joint **17**, dévissez l'ensemble Bouchon de purge **43** jusqu'à ce que la face intérieure soit de niveau avec le trou fileté à l'intérieur du corps **45**. Cela crée un passage pour insérer un joint neuf **17** par l'arrière du corps **45**.
- Veillez à ce que le joint **17** soit bien graissé et installé dans le bon sens avec l'extrémité ouverte du joint face aux mâchoires de tige arrière.
- Terminez l'assemblage dans le sens inverse.

ENSEMBLE GÂCHETTE

- Pour démonter/réviser l'ensemble, retirez les caches de l'outil comme décrit plus haut.
- Débranchez tous les flexibles pneumatiques de l'ensemble, en prenant soin de ne pas les endommager. Retirez l'ensemble.
- À l'aide d'une clé*, dévissez le dispositif de retenue **34** et retirez-le. Veillez à conserver le ressort **31**.
- Retirez le joint torique **10** en prenant soin de ne pas endommager les sièges de la broche 35 et du dispositif de retenue **34**.
- Nettoyez et réassemblez avec un joint torique **10** neuf.
- Contrôlez la longueur libre du ressort **31** qui doit être de 12,7mm (0.5"). Remplacez si nécessaire.
- Remontez dans le sens inverse.

SOUPAPE D'ACTIVATION/DÉSACTIVATION DE LA MÂCHOIRE DE TIGE

- L'équipement a été conçu pour qu'un minimum d'entretien soit nécessaire au cours de la durée de vie de l'outil.
- Si le démontage de la soupape est nécessaire, procédez comme suit :
- Retirez le support de la gâchette **56** comme décrit dans la section "Piston hydraulique".
- À l'aide d'un tournevis*, retirez avec soin la rondelle de blocage chromée en étoile **18** de la bobine pneumatique de la mâchoire de tige **55** et jetez la rondelle.
- Extrayez la bobine pneumatique de la mâchoire de tige **55** du bloc de commutation **54**.
- Retirez les joints toriques **12**, en prenant soin de ne pas endommager la bobine pneumatique de la mâchoire de tige **55**.
- Nettoyez la bobine et réinstallez des joints toriques **12** neufs à l'aide d'une masselotte de montage* et insérez-la dans le bloc de commutation **54**, en veillant à son orientation.
- Installez une rondelle de blocage en étoile chromée **18** neuve en utilisant un étau souple pour éviter les dommages. N'EXERCEZ PAS TROP DE FORCE.
- Terminez l'assemblage dans le sens inverse.

* Fait référence aux éléments fournis dans le kit de révision 0753 MkII. Pour obtenir la liste complète, consultez la page 40. Les numéros d'éléments en **gras** font référence aux plans d'ensemble et aux nomenclatures des pages 45, 46 et .

POIGNÉE ET BOUCHON D'EXTRÉMITÉ

- Nettoyez et contrôlez l'absence de fissures ou d'autres dommages sur les moulages.

CURSEUR

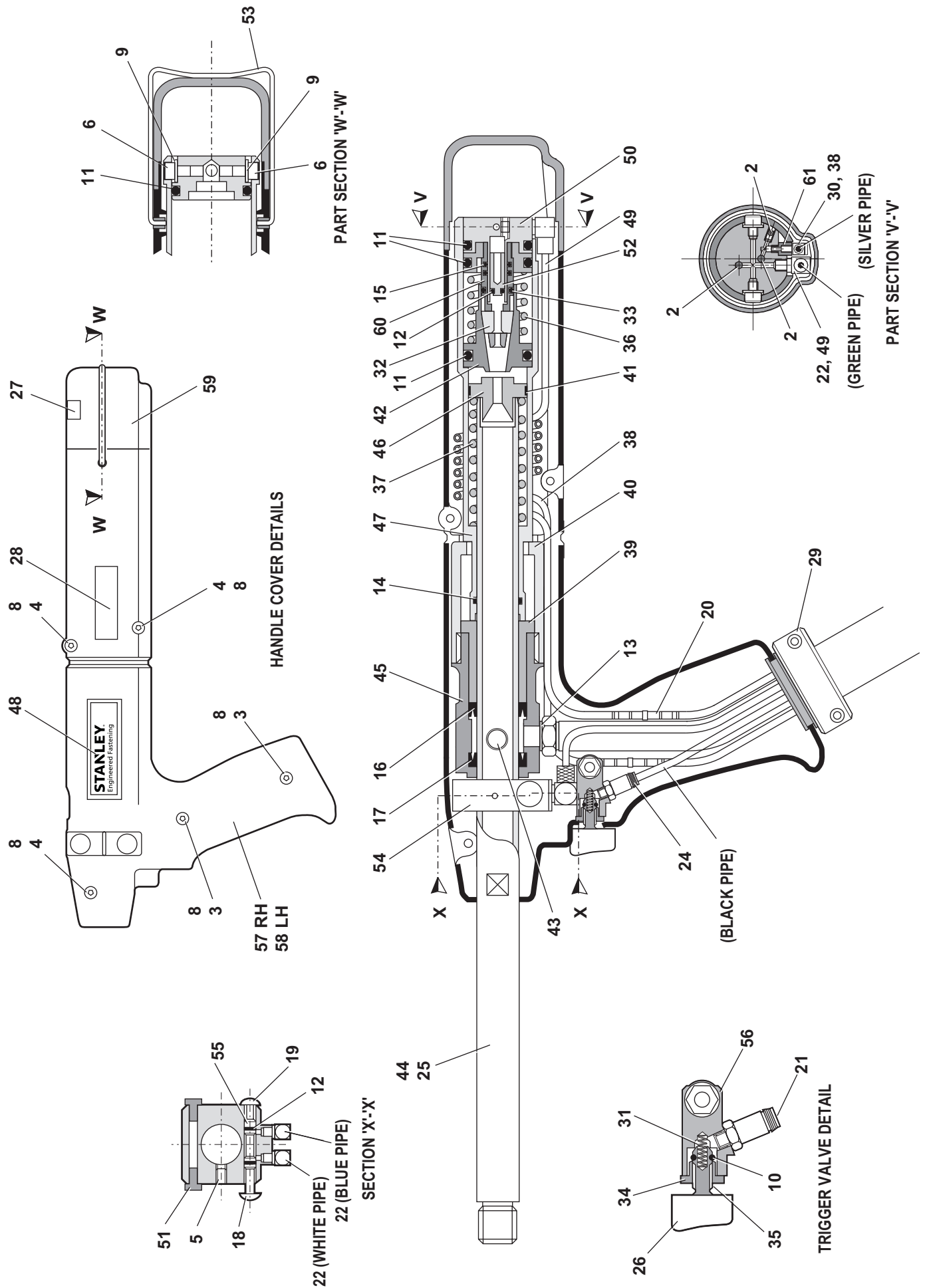
- Nettoyez et huilez l'ensemble Curseur de temps en temps à l'aide d'un peu d'huile.

IMPORTANT

**Contrôlez l'outil lors des révisions journalières et hebdomadaires.
L'amorçage de l'outil est TOUJOURS nécessaire après qu'il a été démonté et avant l'utilisation.**

* Fait référence aux éléments fournis dans le kit de révision 0753 MkII. Pour obtenir la liste complète, consultez la page 40.
Les numéros d'éléments en **gras** font référence aux plans d'ensemble et aux nomenclatures des pages 45, 46 et .

6.2 PLAN D'ENSEMBLE DE L'OUTIL DE BASE 07536-02200



6.3 NOMENCLATURE DE L'OUTIL DE BASE 07536-02200

NOMENCLATURES 07536-02200										
ÉLÉMENT	N° D'ARTICLE	DÉSIGNATION	QTÉ	PIÈCES DÉTACHÉES	ÉLÉMENT	N° D'ARTICLE	DÉSIGNATION	QTÉ	PIÈCES DÉTACHÉES	PIÈCES DÉTACHÉES
1	07007-00392	SERRE-CÂBLE (NON VISIBLE)	1	-	34	07220-00803	DISPOSITIF DE RETENUE	1	-	-
2	07001-00499	VIS DE BLOCAGE CREUSE LONGUE M3x5	3	-	35	07241-00208	BROCHE	1	-	-
3	07001-00262	CACHE VISSÉ CREUX LONG M4x22	1	-	36	07154-00404	RESSORT	1	-	-
4	07001-00401	CACHE VISSÉ CREUX LONG M4x10	4	-	37	07490-03002	RESSORT DE RAPPEL CANON	1	-	-
5	07001-00404	VIS DE BLOCAGE CREUSE LONGUE M5x6	1	-	38	07536-02211	TUBE CONCERTINA CURSEUR À AIR, ARGENT 3MM	1	-	-
6	07001-00504	CACHE VISSÉ CREUX LONG M4x6	2	2	39	07536-00203	PISTON	1	-	-
7					40	07530-00204	LIMITEUR DE COURSE	1	-	-
8	07002-00134	ÉCROU À SIX PANS M4	4	-	41	07530-00206	BANDE CAOUTCHOUÉE	1	1	-
9	07002-00153	RONDELLE M4 [PLASTIQUE]	2	-	42	07536-00208	PORTE-MÂCHOIRE	1	-	-
10	07003-00022	JOINT TORIQUE	1	-	43	07530-00500	ENSEMBLE BOUCHON DE PURGE [ÉLÉMENTS 62 À 65] ●	1	-	-
11	07003-00113	JOINT TORIQUE	3	3	44	07536-02201	CANON	1	-	-
12	07003-00121	JOINT TORIQUE	3	3	45	07530-02202	CORPS	1	-	-
13	07003-00142	JOINT COMPOSITE BSP 1/8"	1	1	46	07530-02205	BOUCHON DE CANON	1	-	-
14	07003-00167	JOINT TORIQUE	1	1	47	07536-02207	CYLINDRE MÂCHOIRE DE TIGE	1	-	-
15	07003-00386	JOINT TORIQUE	2	-	48	07530-02210	ÉTIQUETTE	2	-	-
16	07003-00236	JOINT [DYNAMIQUE]	1	1	49	07536-02212	TUBE CONCERTINA CURSEUR À AIR, VERT 4MM	1	-	-
17	07003-00237	JOINT [STATIQUE]	1	-	50	07536-02213	BOUCHON ARRIÈRE	1	-	-
18	07004-00058	RONDELLE DE BLOCAGE EN ÉTOILE CHROMÉE 1/8"	1	-	51	07530-00310	PLOT DE FERMETURE	2	-	-
19	07004-00059	RONDELLE DE BLOCAGE EN ÉTOILE NOIRE 1/8"	1	-	52	07536-02214	BUTÉE	1	-	-
20	07005-10073	CONNECTEUR 3MM	1	-	53	07530-02220	CLIP	1	-	-
21	07005-01357	CONNECTEUR TYPE COLLET	1	-	54	07530-02301	BLOC DE COMMUTATION	1	-	-
22	07005-01571	CONNECTEUR COUDÉ	3	-	55	07530-02302	BOBINE MÂCHOIRE DE TIGE PNEUMATIQUE	1	-	-
23	07536-02216	ÉCROU DE BLOCAGE	1	-	56	07530-02311	LOGEMENT GÂCHETTE	1	-	-
24	07005-10074	CONNECTEUR 2MM	1	-	57	07536-02601	ENSEMBLE MOULAGE POIGNÉE DROIT	1	-	-
25	07007-00017	CACHE ANTI POUSSIÈRE	1	-	58	07536-02602	ENSEMBLE MOULAGE POIGNÉE GAUCHE	1	-	-
26	07007-00300	BOUTON DE GÂCHETTE	1	-	59	07530-02603	BOUCHON D'EXTRÉMITÉ	1	-	-
27	73200-02022	ÉTIQUETTE DE SÉCURITÉ	1	-	60	07536-02800	ENSEMBLE PISTON MÂCHOIRE DE TIGE	1	-	-
28	07007-01504	ÉTIQUETTE MARQUAGE CE	1	-	61	07536-02215	ADAPTATEUR DE RACCORD	1	-	-
29	07008-00438	ENSEMBLE FLEXIBLE	1	-	62	07003-00142	● JOINT COMPOSITE (NON VISIBLE)	1	1	-
30	07005-01323	COUDE BARBELÉ M3	1	-	63	07003-00194	● JOINT COMPOSITE (NON VISIBLE)	1	1	-
31	07125-00215	RESSORT	1	-	64	07001-00442	● VIS (NON VISIBLE)	1	1	-
32	07151-00403	MÂCHOIRES QUEUE	1	2	65	07530-00501	● BOUCHON (NON VISIBLE)	1	-	-
33	07003-00016	JOINT TORIQUE	1							

6.4 INSTRUCTIONS POUR LE DÉMONTAGE

- Pour démonter l'ensemble Tête de rivetage, débranchez d'abord le flexible d'alimentation en air du raccord d'arrivée sur la tête de rivetage **22**.
- À l'aide d'une clé Allen*, dévissez les quatre vis **27** et retirez la plaque de protection **24**.
- Débranchez le flexible de la gâchette **47** de la soupape de la tête de rivetage **43** ou **48** en enfonçant le collet extérieur et en retirant le flexible.
- Retirez la plaque de couverture **4** et la bague d'étanchéité **35** en retirant les vis **37** et les rondelles **36** à l'aide d'une clé Allen*.
- Contrôlez que la bague d'étanchéité est en bonne état pour garantir la bonne étanchéité au remontage.
- Retournez l'ensemble Tête de rivetage et faites couler l'huile du réservoir dans un contenant adapté.
- Retirez le raccord rapide **32** et le raccord **31** et les joints **33** à l'aide d'une clé adaptée*.
- Retirez la soupape de la tête de rivetage **43** ou **48** en retirant les vis de fixation à l'aide d'une clé adaptée et en prenant soin de retenir le joint torique **21** situé dans le carter du corps de la tête de rivetage.
- Retirez la vis **19** à l'aide d'une clé Allen* adaptée et retirez le cache du silencieux **16**, la mousse insonorisante **15**, l'entretoise **18** et la plaque de retenue **20**.
- Tirez le tube en plastique de the 6mm **41** hors des raccords d'aspiration **42**.
- Depuis la base de la tête de rivetage, insérez une clé Allen* de 3 mm à travers les deux trous et dévissez les raccords d'aspiration **42**. Remarque :
 - Faites attention car les raccords d'aspiration sont fixés et scellés en place avec de la Loctite® 574.
 - S'ils sont difficiles à retirer, il est possible de percer les raccords d'aspiration à l'aide d'une mèche de 3/16" ou 4,7mm de diamètre.
- Pour réinstaller les raccords d'aspiration **42**, la procédure suivante doit être respectée : -
 - Trempez les raccords d'aspiration dans une solution de préparation des surfaces adaptée, ex : Perma Bond A905
 - Versez une goutte de Loctite® 574 dans le trou de la tête de rivetage.
 - Depuis la base de la tête de rivetage, insérez une clé Allen* à travers le trou. Veillez à ce qu'il n'y ait pas de Loctite® 574 sur la clé Allen* avant de l'insérer dans le raccord d'aspiration.
 - Tournez la clé Allen tout en appliquant de la Loctite® 574 à la base du raccord d'aspiration.
 - Vissez le raccord d'aspiration dans la tête de rivetage, en veillant à ce qu'il y ait suffisamment de Loctite® 574 à la base du raccord pour que le filetage ne soit plus visible.
- À l'aide d'un tournevis, retirez soigneusement la bague de retenue à l'intérieur **14**. Nettoyez et contrôlez l'absence d'usure et de dommages dans la rainure.
- À l'aide d'un extracteur*, insérez l'extrémité mâle fileté dans le bouchon d'extrémité **12** et retirez ce dernier avec la douille de tête de rivetage **28** et les joints toriques **10** et **13**.
- Insérez la tige* à travers le trou du raccord à l'avant du corps de la tête de rivetage et faites sortir la tige du piston **9** et l'ensemble Piston.
- À l'aide d'une clé Allen* adaptée, dévissez les deux vis **25** et retirez le bouchon d'extrémité **12** de la douille de la tête de rivetage **28**.
- Retirez le bouchon étanche **7** à l'aide d'une clé*.
- Insérez la tige* à travers le trou du raccord à l'avant du corps de la tête de rivetage et sortez, en poussant, le support du joint **5** ainsi que les joints toriques et les joints à lèvres associés.
- Retirez l'ensemble Siège de soupape **34** du corps principal à l'aide d'une clé adaptée*. Procédez au nettoyage en soufflant à travers avec un jet d'air à basse pression.
- Retirez la tige du piston **9** du piston pneumatique de la tête de rivetage **11** en maintenant les premiers 20 mm (3/4") de la tige dans un étau souple, en prenant soin de ne pas endommager ou marquer la surface utile.
- Dévissez l'écrou de blocage **17** à l'aide de la bonne clé*.

* Fait référence aux éléments fournis dans le kit de révision du 0753 MkII. Pour obtenir la liste complète, consultez la page 40. Les numéros d'éléments en **gras** font référence à l'illustration et à la nomenclature de la page d'en face.

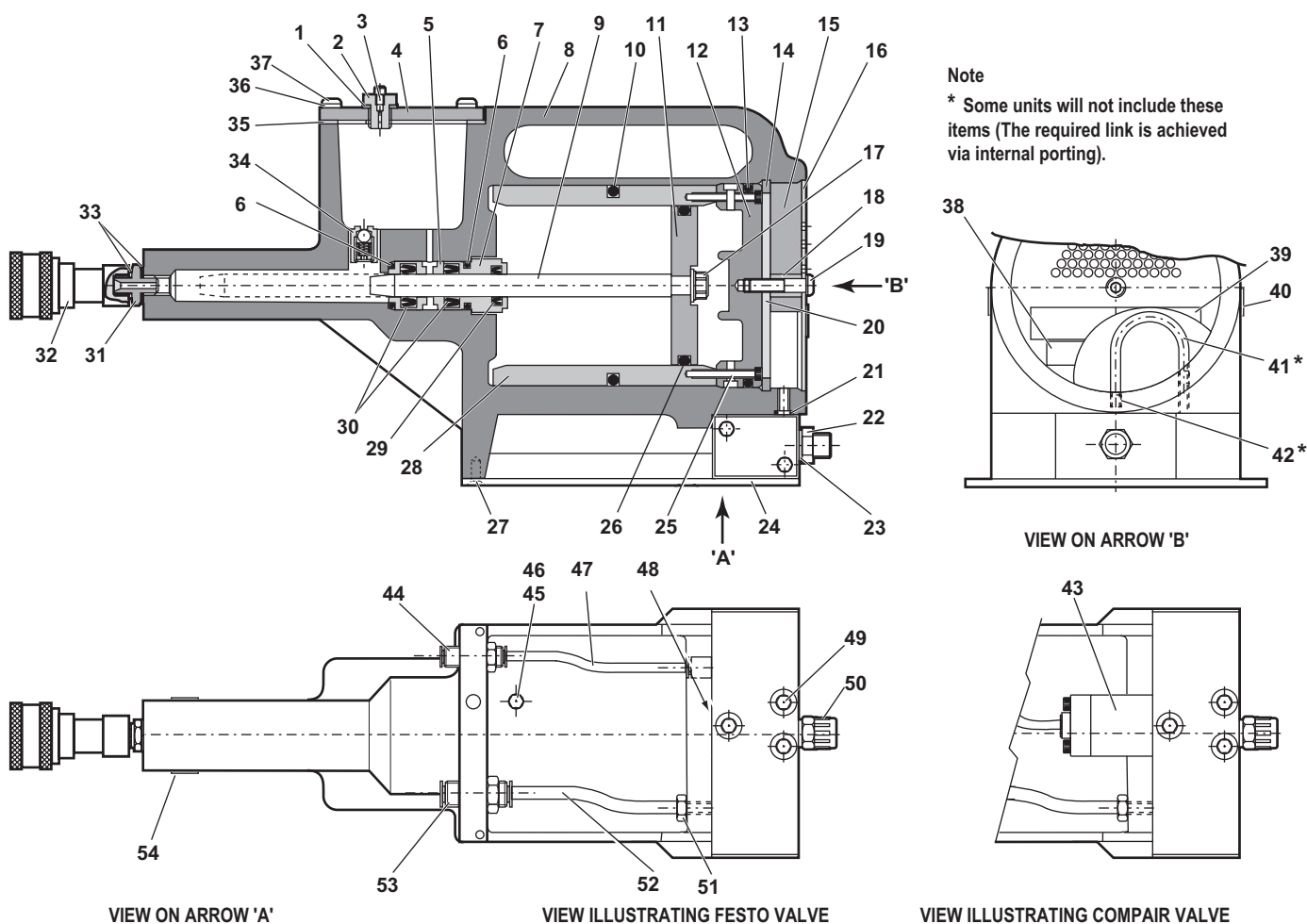
- Réassemblez dans l'ordre inverse en veillant à :
- Nettoyer toutes les pièces et à remplacer tous les joints toriques.
- Lubrifiez tous les joints avec de la graisse Moly Lithium.
- Réinstaller l'ensemble Siège de soupape **34** avec un adhésif d'étanchéité pour filetage.
- Installer l'ensemble Piston avec un écrou neuf **17**.
- Installez correctement le bouchon d'extrémité **12** à l'intérieur de la bague de retenue **14**. L'outil ne doit pas être utilisé si le bouchon d'extrémité a été oublié.

IMPORTANT

L'amorçage de l'outil est **TOUJOURS** nécessaire après qu'il a été démonté et avant l'utilisation.

6.5 PROTECTION DE L'ENVIRONNEMENT

Veillez à respecter toutes les dispositions des réglementations en vigueur. Déposez tous les déchets dans un centre récupération des déchets agréé afin de ne pas exposer le personnel et l'environnement à des risques.

6.6 TÊTE DE RIVETAGE 07531-02200

* Fait référence aux éléments fournis dans le kit de révision du 0753 MkII. Pour obtenir la liste complète, consultez la page 40. Les numéros d'éléments en **gras** font référence à l'illustration et à la nomenclature de la page d'en face.

NOMENCLATURE 07531-02200									
ÉLÉMENT	N° D'ARTICLE	DÉSIGNATION	QTÉ	PIÈCES DÉTACHÉES	ÉLÉMENT	N° D'ARTICLE	DÉSIGNATION	QTÉ	PIÈCES DÉTACHÉES
1	07003-00037	JOINT	1	1	28	07531-00201	MANCHON	1	-
2	07240-00211	VIS DE REMPLISSAGE	1	-	29	07003-00337	JOINT À LÈVRE	1	1
3	07001-00418	VIS DE PURGE	1	1	30	07003-00336	JOINT À LÈVRE	2	2
4	07240-00210	PLAQUE DE COUVERTURE	1	-	31	07005-00406	CONNECTEUR	1	-
5	71420-02006	SUPPORT DE JOINT	1	-	32	07005-00759	RACCORD RAPIDE	1	-
6	07003-00153	JOINT TORIQUE	2	-	33	07003-00142	JOINT	2	1
7	71420-02007	BOUCHON ÉTANCHE	1	-	34	07240-00400	ENSEMBLE SIÈGE DE SOUPAPE	1	-
8	71420-02300	ENSEMBLE CORPS	1	-	35	07240-00209	BAGUE D'ÉTANCHÉITÉ	1	1
9	71420-02008	TIGE DE PISTON	1	-	36	07002-00073	RONDELLE	4	1
10	07003-00182	JOINT TORIQUE	1	1	37	07001-00554	DE BLOCAGE	4	1
11	07531-00202	PISTON PNEUMATIQUE	1	-	38	07007-01504	ÉTIQUETTE	1	-
12	07531-00204	BOUCHON D'EXTREMITÉ	1	-	39	07240-00217	ÉTIQUETTE	1	-
13	07003-00183	JOINT TORIQUE	1	1	40	07531-00205	ÉTIQUETTE	2	-
14	07004-00069	BAGUE DE RETENUE	1	1	41	07005-00596	*TUBE EN PLASTIQUE 6mm	-	-
15	07240-00213	MOUSSE INSONORISANTE	1	1	42	07245-00103	* RACCORD D'ASPIRATION	2	-
16	07240-00214	CACHE SILENCIEUX	1	-	43	07005-00590	SOUPAPE COMPAIR	1	1
17	07002-00017	ÉCROU	1	1	44	07005-01431	RACCORD PASSE-CLOISON	1	1
18	07240-00215	ENTRETOISE	1	-	45	07005-00668	M5 PLUG	1	-
19	07001-00417	DE BLOCAGE	1	1	46	07005-00670	BAGUE D'ÉTANCHÉITÉ M5	1	-
20	07240-00216	PLAQUE DE RETENUE	1	-	47	07005-01084	TUBE EN PLASTIQUE 4mm (150mm)	-	-
21	*07003-00042	JOINT TORIQUE	1	1	48	07005-01524	SOUPAPE FESTO	1	-
22	07005-00041	CONNECTEUR	1	-	49	07001-00176	DE BLOCAGE	3	-
23	07003-00065	RONDELLE	1	-	50	07007-00292	CACHE ROUGE BSP 1/4"	1	-
24	07240-00220	PLAQUE DE PROTECTION	1	-	51	07005-00647	CONNECTEUR	1	-
25	07001-00375	DE BLOCAGE	2	-	52	07005-01085	TUBE EN PLASTIQUE 6mm (150mm)	-	-
26	07003-00238	JOINT TORIQUE	1	1	53	07005-00855	RACCORD PASSE-CLOISON	1	-
27	07001-00396	DE BLOCAGE	4	-	54	73200-02022	ÉTIQUETTE DE SÉCURITÉ	1	-

7. AMORÇAGE

L'amorçage de l'outil est TOUJOURS nécessaire après qu'il a été démonté et avant l'utilisation. Il peut également être nécessaire pour restaurer une course complète après une utilisation prolongée, si la course a été réduite et que les fixations ne sont plus complètement insérées après un seul déclenchement de la gâchette.

7.1 DÉTAILS CONCERNANT L'HUILE

L'huile recommandée pour l'amorçage est de la Hyspin® VG32 et AWS 32, disponibles en bidon de 0,5 l (n° d'article 07992-00002) ou de 1 gallon (n° d'article 07992-00006). Merci de consulter la fiche de sécurité ci-dessous.

7.2 FICHE DE SÉCURITÉ HUILE HYSPIN® VG32 ET AWS 32

Premiers soins

PEAU :

Lavez soigneusement à l'eau et au savon dès que possible. Les contacts occasionnels ne nécessitent aucune attention immédiate. Les contacts brefs ne nécessitent aucune attention immédiate.

INGESTION :

Consultez immédiatement un médecin. NE FAITES PAS vomir.

YEUX :

Rincez immédiatement à l'eau claire pendant plusieurs minutes. Bien qu'il ne s'agisse pas d'un produit dit irritant, une légère irritation peut avoir lieu après le contact.

Incendie

Moyens d'extinction adaptés : CO₂, poudre, mousse et brouillard d'eau. N'utilisez PAS de lances à eau.

Environnement

GESTION DES DÉCHETS : À faire déposer dans un site agréé par un entrepreneur agréé. Incinération possible. Le produit usagé peut être envoyé pour valorisation.

DÉVERSEMENT : Empêchez la pénétration dans les canalisations, les égouts et les cours d'eau. Absorbent avec un matériau absorbant.

Manipulation

Portez une protection oculaire, des gants imperméables (ex : PVC) et un tablier en plastique. À utiliser dans une zone bien ventilée.

Stockage

Aucune précaution particulière.

7.3 PROCÉDURE POUR L'AMORÇAGE

IMPORTANT

N'ACTIONNEZ JAMAIS LA GÂCHETTE QUAND LA VIS DE PURGE EST RETIRÉE

Toutes les opérations doivent être effectuées sur un établi propre, avec les mains propres et dans une zone propre.

Assurez-vous que l'huile neuve est parfaitement propre et exempte de bulles d'air.

Des précautions SONT à prendre à chaque instant, afin de garantir qu'aucun corps étranger ne pénètre dans l'outil, cela pourrait sinon entraîner de graves dommages.

- Retirez la vis **2** et le joint **1** de la plaque de couverture en plastique **4** sur le réservoir de la tête de rivetage.
- Versez l'huile d'amorçage dans le réservoir jusqu'à environ 1/2" (12mm) du haut.
- Réinstallez la vis **2** et le joint **1**.
- Raccordez la tête de rivetage à l'alimentation en air. Retirez la vis du réservoir.
- Avec le pistolet 07536 installé sur la tête de rivetage et tenu plus bas que la tête de rivetage, dévissez de deux tours la vis de purge **64** de l'ensemble Bouchon de purge **43** sur l'outil 07536 et laissez l'huile couler hors de l'outil.
- Dès que l'huile coule librement et sans bulles d'air, revissez la vis de purge.
- Remplissez le réservoir de la tête de rivetage d'huile d'amorçage.
- Cyclez l'outil jusqu'à ce que toutes les bulles d'air présents dans l'huile soient expulsées du réservoir d'huile.

Les numéros d'éléments en **gras** font référence aux plans d'ensemble et aux nomenclatures des pages 45, 48 et .

8. DIAGNOSTIC DE PANNES

SYMPTÔME	CAUSE POSSIBLE	REMÈDE	RÉF. PAGE
L'outil ne pose pas le fixations	Pression d'air basse.	Augmentez la pression d'air	
	Manque de lubrification.	Lubrifiez l'outil au niveau de l'arrivée d'air	
	Charge de la broche trop élevée.	Contrôlez la bonne préhension de la fixation et la taille du trou dans l'ouvrage	
	Contrôlez que la taille du mandrin est bonne.		
	Mâchoires de tige désactivées.	Activez les mâchoires de tige	
	Air dans le circuit hydraulique.	Consultez la section "Procédure pour l'amorçage"	50
"Glissement du mandrin" - les mâchoires ne prennent pas le mandrin	Mâchoires de tige usées ou sales.	Nettoyez ou remplacez au besoin	
	' Pression et volume d'air insuffisants.	Augmentez la pression/le volume d'air	
	' Interrupteur Mâchoire de tige inutilisable.	Remplacez l'interrupteur	
	' Fuites d'air dans les mâchoires de tige.	Remplacez les joints toriques sur le piston 11	
	Mandrin cassé qui n'atteint pas les mâchoires de tige.	Remplacez le mandrin	
	Défaut dans le boîtier de commande pneumatique.	Contactez le personnel de Stanley Engineered Fastening	
Les mâchoires ne libèrent pas le mandrin	Mâchoires de tige ou porte-mâchoires sales.	Nettoyez et lubrifiez	
	Interrupteur Mâchoires de tige défectueux.	Remplacez les joints toriques	
	Signal air emprisonné	Contrôlez les conduites pneumatiques	
	Défaut dans le boîtier de commande pneumatique	Contactez le personnel de Stanley Engineered Fastening	
Les fixations ne sont pas acheminées vers les mâchoires d'embout	Mâchoires de tige non activées.	Activez les mâchoires de tige	
	Mâchoires de tige usées.	Remplacez les mâchoires de tige	
	Orientation du curseur incorrecte.	Réinstallez en veillant à la bonne orientation	
	Curseur incorrect	Installez un curseur correct	
	Mauvaises mâchoires d'embout.	Installez les bonnes mâchoires d'embout	
	Ressort suiveur de mandrin non installé.	Installez un ressort suiveur de mandrin correct	
	Longueur suiveur du mandrin	Installez un suiveur de mandrin correct	
	Espace incorrect entre la tête de la fixation et les mâchoires d'embout, une fois chargées.	Réglez l'espace entre 1,5mm et 3mm (1/16" et 1/8") Consultez la section "Remplir l'outil"	37-38
	Le curseur se bloque.	Nettoyez et huilez le curseur	
	Curseur à air usé	Remplacez le curseur	
	Mauvais ressort suiveur de mandrin installé.	Installez un ressort suiveur de mandrin correct	
Ressort de rappel du canon usé ou cassé	Remplacez le ressort de rappel du canon		
Usure excessive de la mâchoire de queue	Charge de la broche trop élevée.	Contrôlez la taille du trou dans l'ouvrage et l'épaisseur de la tôle en plus de la capacité de préhension de la fixation	
Acheminement de plus d'une fixation à la fois	Glissement du mandrin.	Contrôlez le "glissement du 'mandrin", étape 2	
	Espace incorrect entre la tête de la fixation et les mâchoires de nez, une fois chargées	Réglez l'espace entre 1,5mm et 3mm (1/16" et 1/8") Consultez la section "Remplir l'outil" page	37-38

Les autres symptômes ou pannes doivent être signalés à votre distributeur ou votre centre de réparation Stanley Engineered Fastening local agréé.

REMARQUES

9. DÉCLARATION DE CONFORMITÉ CE

Nous, **Stanley Engineered Fastening, Stanley House, Works Road, Letchworth Garden City, Hertfordshire, SG6 1JY ROYAUME-UNI**, déclarons sous notre seule responsabilité que le produit :

Désignation : Riveteuse hydropneumatique pour rivets à répétition

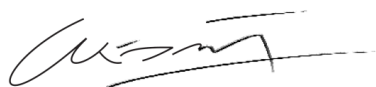
Modèle : 07536

auquel se réfère cette déclaration est conforme aux normes harmonisées suivantes :

ISO 12100:2010	EN ISO 3744:2010
EN ISO 11202:2010	EN ISO 11148-1:2011
EN ISO 4413:2010	BS EN 28662-1:1993
EN ISO 4414:2010	EN ISO 20643:2008+A1:2012
EN ISO 28927-5:2009+A1:2015	ES100118-rev 17:2017

La documentation technique a été compilée conformément à l'annexe VII et conformément à la Directive suivante : **Directive Machine 2006/42/CE** (Textes réglementaires 2008 n° 1597 - Réglementations sur la fourniture de machines (Sécurité)).

Le soussigné fait cette déclaration au nom de STANLEY Engineered Fastening



A. K. Seewraj

Directeur Ingénierie, Royaume-Uni

Avdel UK Limited, Stanley House, Works Road, Letchworth Garden City, Hertfordshire, SG6 1JY ROYAUME UNI

Lieu de diffusion : Letchworth Garden City, UK

Date de diffusion : 01-01-2021

Le soussigné est responsable de la compilation du dossier technique pour les produits vendus au sein de l'Union européenne et il fait cette déclaration au nom de Stanley Engineered Fastening.

Matthias Appel

Team Leader Documentation technique

Stanley Engineered Fastening, Tucker GmbH, Max-Eyth-Str.1, 35394 Gießen, Allemagne



Cette machine est conforme à la
Directive Machines 2006/42/CE

10. DÉCLARATION DE CONFORMITÉ ROYAUME-UNI

Nous, **Stanley Engineered Fastening, Stanley House, Works Road, Letchworth Garden City, Hertfordshire, SG6 1JY ROYAUME-UNI**, déclarons sous notre seule responsabilité que le produit :

Désignation : Riveteuse hydropneumatique pour rivets à répétition

Modèle : 07536

auquel se réfère cette déclaration est conforme aux normes suivantes :

ISO 12100:2010	EN ISO 3744:2010
EN ISO 11202:2010	EN ISO 11148-1:2011
EN ISO 4413:2010	BS EN 28662-1:1993
EN ISO 4414:2010	EN ISO 20643:2008+A1:2012
EN ISO 28927-5:2009+A1:2015	ES100118-rev 17:2017

La documentation technique a été compilée conformément à la réglementation sur la fourniture de machines (Sécurité) 2008, S.I. 2008/1597 (telle que modifiée).

Le soussigné fait cette déclaration au nom de STANLEY Engineered Fastening



A. K. Seewraj

Directeur Ingénierie, Royaume-Uni

Avdel UK Limited, Stanley House, Works Road, Letchworth Garden City, Hertfordshire, SG6 1JY ROYAUME UNI

Lieu de diffusion : Letchworth Garden City, UK

Date de diffusion : 01-01-2021



Cette machine est conforme à la
Réglementation sur la fourniture de machines (sécurité) 2008,
S.I. 2008/1597 (amendée)

11. PROTÉGEZ VOTRE INVESTISSEMENT !

GARANTIE RIVETEUSE POUR RIVETS AVEUGLES Stanley® Engineered Fastening

STANLEY® Engineered Fastening garantit que tous les outils ont été fabriqués avec soin et qu'ils seront exempts de défauts de pièces ou de main d'œuvre dans des conditions normales d'utilisation et d'entretien pendant une période d'un (1) an.

Cette garantie s'applique à l'acheteur de première main et pour un usage d'origine.

Exclusions :

Usure normale.

La maintenance périodique, la réparation et le remplacement des pièces dus à une usure normale ne sont pas couverts par de cette garantie.

Utilisation abusive et incorrecte.

Les défauts et dommages résultant d'une utilisation ou d'un stockage incorrect, d'une utilisation inappropriée ou abusive, d'un accident ou d'une négligence, comme les dommages physiques par exemple, ne sont pas couverts par cette garantie.

Réparation ou modification non autorisées.

Les défauts ou dommages résultant d'un/d'une quelconque entretien, test, réglage, installation, maintenance, altération ou modification par tout autre entité ou personne que STANLEY® Engineered Fastening, ou l'un de ses centres d'assistance agréés, sont exclus de la garantie.

Toutes les autres garanties, explicites ou implicites, dont les garanties de commercialisation ou d'adaptation à un usage particulier sont exclues par la présente.

Si cet outil devait ne pas répondre à la garantie, retournez-le dans les meilleurs délais au centre d'assistance agréé par notre usine, le plus proche. Pour obtenir la liste des centres de réparation agréés STANLEY® Engineered Fastening aux USA et au Canada, appelez notre numéro gratuit (877)364 2781.

En dehors des USA et du Canada, consultez notre site Internet www.StanleyEngineeredFastening.com pour trouver votre centre STANLEY Engineered Fastening le plus proche.

STANLEY Engineered Fastening procédera alors au remplacement, gratuit, de chacune des pièces jugées défectueuses par nos soins dont la cause serait un défaut de pièce ou de fabrication, avant de retourner l'outil en prépayé. Ceci représente notre unique obligation dans le cadre de cette garantie.

En aucun cas STANLEY Engineered Fastening ne saura être tenu responsable pour quelque dommage consécutif ou spécial découlant de l'achat ou de l'utilisation de cet outil.

Enregistrez votre riveteuse pour rivets aveugles en ligne.

Pour enregistrer votre garantie en ligne, consultez notre page sur <https://www.stanleyengineeredfastening.com/support/warranty-registration-form>

Merci d'avoir choisi un outil de la marque STANLEY® Engineered Fastening, STANLEY Assembly Technologies.

©2021 Stanley Black & Decker Inc.
 Alle Rechte vorbehalten.

Die bereitgestellten Informationen dürfen in keiner Weise durch irgendwelche Mittel (elektronisch oder mechanisch) vervielfältigt und/oder veröffentlicht werden, wenn keine vorherige ausdrückliche und schriftliche Genehmigung von STANLEY Engineered Fastening vorliegt. Die bereitgestellten Informationen basieren auf den Daten, die zum Zeitpunkt der Einführung dieses Produkts bekannt sind. STANLEY Engineered Fastening verfolgt eine Politik der ständigen Produktverbesserung und somit können die Produkte Änderungen unterliegen. Die bereitgestellten Informationen gelten für das Produkt wie von STANLEY Engineered Fastening geliefert. Daher haftet STANLEY Engineered Fastening nicht für Schäden, die aus Abweichungen von den ursprünglichen Spezifikationen des Produkts entstehen.

Die verfügbaren Informationen wurden mit größter Sorgfalt zusammengestellt. Allerdings übernimmt STANLEY Engineered Fastening keine Haftung für eventuelle Fehler in den Informationen noch für die Folgen davon. STANLEY Engineered Fastening haftet nicht für Schäden, die aus Tätigkeiten entstehen, die von Dritten ausgeführt werden. Die Arbeitsnamen, Handelsnamen, eingetragenen Marken usw., die von STANLEY Engineered Fastening verwendet werden, sollten gemäß den Rechtsvorschriften in Bezug auf den Schutz von Marken nicht als frei angesehen werden.

1. SICHERHEITSD DEFINITIONEN	58
1.1 ALLGEMEINE SICHERHEITSBESTIMMUNGEN.....	58
1.2 GEFAHREN DURCH UMHERFLIEGENDE TEILE.....	58
1.3 BETRIEBSGEFAHREN.....	59
1.4 GEFAHREN DURCH WIEDERKEHRENDE BEWEGUNGEN	59
1.5 GEFAHREN DURCH ZUBEHÖR.....	59
1.6 GEFAHREN AM ARBEITSPLATZ.....	59
1.7 GEFAHREN DURCH LÄRM.....	60
1.8 GEFAHREN DURCH VIBRATIONEN	60
1.9 ZUSÄTZLICHE SICHERHEITSHINWEISE FÜR PNEUMATISCHE UND HYDRAULISCHE ELEKTROWERKZEUGE	60
2. TECHNISCHE DATEN	61
2.1 TECHNISCHE DATEN FÜR DAS WERKZEUG 07536.....	61
2.2 TECHNISCHE DATEN FÜR DEN VERSTÄRKER 07531	61
3. VERWENDUNGSZWECK.....	62
3.1 WERKZEUGABMESSUNGEN - MODELL 07536.....	62
4. INBETRIEBNAHME	63
4.1 LUFTZUFUHR.....	63
4.2 LUFTSCHIEBER.....	64
4.3 LADEN UND NACHLADEN DES WERKZEUGS	64
4.4 BEDIENUNGSSCHRITTE.....	66
5. WARTUNG DES WERKZEUGS.....	67
5.1 PNEUMATIKSCHALTKASTEN.....	67
5.2 TÄGLICH.....	67
5.3 WÖCHENTLICH.....	67
5.4 SICHERHEITSDATEN ZU MOLY-LITHIUM-FETT EP 3753	67
5.5 WARTUNGSKIT	68
5.6 BAUGRUPPE LUFTSCHIEBER WERKZEUG, VERSTÄRKER & SCHALTKASTEN 07536-02100.....	69
6. INSTANDHALTUNG	70
6.1 DEMONTAGE 07536-02200.....	70
6.2 ALLGEMEINE MONTAGE DES BASISWERKZEUGS 07536-02200	73
6.3 TEILELISTE FÜR BASISWERKZEUG 07536-02200	74
6.4 DEMONTAGEANWEISUNGEN.....	75
6.5 UMWELTSCHUTZ	76
6.6 VERSTÄRKER 07531-02200.....	76
7. AUFFÜLLEN	78
7.1 HINWEISE ZUM ÖL.....	78
7.2 SICHERHEITSDATEN ZU DEN ÖLEN HYPIN® VG 32 UND AWS 32	78
7.3 AUFFÜLLEN	78
8. FEHLERSUCHE	79
9. EC-KONFORMITÄTSEKTLÄRUNG	81
10. GB-KONFORMITÄTSEKTLÄRUNG.....	82
11. SCHÜTZEN SIE IHRE INVESTITION!	83



Diese Betriebsanleitung ist von jeder Person zu lesen, die mit der Installation oder Inbetriebnahme dieses Werkzeugs befasst ist, wobei besonders die folgenden Sicherheitsregeln zu beachten sind.



Tragen Sie während des Betriebs des Werkzeugs stets einen stoßfesten Augenschutz. Die erforderliche Schutzart sollte für jeden Anwendungsfall bewertet werden.



Verwenden Sie einen Gehörschutz, der den Anweisungen des Arbeitgebers und den Arbeitsschutzbestimmungen entspricht.



Bei der Verwendung des Werkzeugs können die Hände des Bedieners Gefahren ausgesetzt werden, darunter Quetschungen, Stöße, Schnittverletzungen, Hautabschürfungen und Verbrennungen. Tragen Sie zum Schutz der Hände geeignete Handschuhe.

1. SICHERHEITSD DEFINITIONEN

Im Folgenden wird die Relevanz der einzelnen Warnhinweise erklärt. Bitte lesen Sie die Betriebsanleitung und achten Sie auf diese Symbole.

⚠ GEFAHR: Weist auf eine unmittelbar drohende gefährliche Situation hin, die, sofern nicht vermieden, zu tödlichen oder schweren Verletzungen führt.

⚠ WARNUNG: Weist auf eine möglicherweise gefährliche Situation hin, die, sofern nicht vermieden, zu tödlichen oder schweren Verletzungen führen kann.

⚠ VORSICHT: Weist auf eine möglicherweise gefährliche Situation hin, die, sofern nicht vermieden, zu leichten oder mittelschweren Verletzungen führen kann.

⚠ VORSICHT: Wird der Begriff ohne Warnsymbol gebraucht, weist er auf eine potenziell gefährliche Situation hin, die bei Nichtbeachtung zu Sachschäden führen kann.

Unschlagmäßiger Betrieb oder falsche Wartung dieses Produkts können zu schweren Verletzungen und Sachschäden führen. Machen Sie sich mit den Warnungen und Bedienanweisungen vertraut, bevor Sie dieses Gerät verwenden. Beim Gebrauch von hydropneumatischen Werkzeugen sind zum Schutz gegen Verletzungsgefahren immer die grundlegenden Sicherheitsvorschriften zu beachten.

BEWAHREN SIE ALLE WARNHINWEISE UND ANWEISUNGEN ZUM SPÄTEREN NACHSCHLAGEN AUF

1.1 ALLGEMEINE SICHERHEITSBESTIMMUNGEN

- Da verschiedene Gefahren bestehen, lesen Sie die Sicherheitshinweise genau durch, bevor Sie das Gerät installieren, bedienen, reparieren, warten, Zubehörteile austauschen oder in der Nähe arbeiten. Andernfalls kann es zu schweren Verletzungen kommen.
- Nur qualifiziertes und geschultes Personal darf das Werkzeug installieren, einstellen oder benutzen.
- NICHT auf andere Weise verwenden als im Verwendungszweck unter „Setzen von STANLEY Engineered Fastening Blindnieten“ angegeben.
- Verwenden Sie nur Teile, Verbindungselemente und Zubehörteile, die vom Hersteller empfohlen werden.
- Nehmen Sie KEINE Veränderungen am Werkzeug vor. Veränderungen können die Wirksamkeit von Sicherheitsvorrichtungen beeinträchtigen und die Risiken für den Bediener erhöhen. Jede Änderung am Werkzeug durch den Kunden unterliegt einzig der vollen Verantwortung des Kunden und macht geltende Gewährleistungen ungültig.
- Werfen Sie Sicherheitshinweise nicht weg, sondern stellen dem Bediener zur Verfügung.
- Verwenden Sie das Werkzeug nicht, wenn es beschädigt ist.
- Prüfen Sie vor der Verwendung, ob bewegliche Teile verzogen oder ausgeschlagen, ob Teile gebrochen oder in einem Zustand sind, der den Betrieb des Werkzeugs beeinträchtigt. Bei Beschädigungen lassen Sie das Werkzeug warten, bevor Sie es verwenden. Entfernen Sie vor dem Gebrauch alle Einstellwerkzeuge oder Schraubenschlüssel.
- Die Werkzeuge sind regelmäßig zu überprüfen, um sicherzustellen, dass die von diesem Teil der ISO 11148 geforderten Nennwerte und Kennzeichnungen lesbar auf dem Werkzeug angebracht sind. Der Arbeitgeber/Verwender muss sich mit dem Hersteller in Verbindung setzen, um gegebenenfalls Ersatzkennzeichnungen zu erhalten.
- Das Werkzeug muss jederzeit in einem sicheren Betriebszustand gehalten und in regelmäßigen Abständen von geschultem Personal auf Beschädigungen und Funktion überprüft werden. Nur geschultes Personal darf das Gerät demontieren. Vor der Demontage dieses Werkzeugs ist die Wartungsanleitung zu lesen.

1.2 GEFAHREN DURCH UMHERFLIEGENDE TEILE

- Trennen Sie das Werkzeug von der Luftzufuhr, bevor Sie Wartungsarbeiten durchführen oder versuchen, Ausrüstungsteile oder Zubehör einzustellen, anzubringen oder abzunehmen.
- Beachten Sie, dass ein Ausfall des Werkstücks oder des Zubehörs oder auch des eingesetzten Werkzeugs selbst Hochgeschwindigkeitsprojekteile erzeugen kann.

- Tragen Sie während des Betriebs des Werkzeugs stets einen stoßfesten Augenschutz. Die erforderliche Schutzart sollte für jeden Anwendungsfall bewertet werden.
- Auch Risiken für andere Personen sollten stets bewertet werden.
- Vergewissern Sie sich, dass das Werkstück sicher befestigt ist.
- Überprüfen, ob die Mittel zum Schutz vor dem Auswerfen von Verbindungselementen und/oder Dorn angebracht und funktionsfähig sind.
- Warnung vor dem möglichen heftigen Auswerfen von Dornen von der Vorderseite des Werkzeugs.
- Bedienen Sie das Werkzeug NICHT, wenn es auf Personen gerichtet ist.

1.3 BETRIEBSGEFAHREN

- Bei der Verwendung des Werkzeugs können die Hände des Bedieners Gefahren ausgesetzt werden, darunter Quetschungen, Stöße, Schnittverletzungen, Hautabschürfungen und Verbrennungen. Tragen Sie zum Schutz der Hände geeignete Handschuhe.
- Bediener und Wartungspersonal müssen physisch in der Lage sein, mit dem Volumen, Gewicht und der Leistung des Werkzeugs umzugehen.
- Halten Sie das Werkzeug richtig fest und seien Sie stets bereit, normalen oder plötzlichen Bewegungen entgegenzuwirken, ggf. mit beiden Händen.
- Halten Sie die Werkzeuggriffe trocken, sauber und frei von Öl und Fett.
- Behalten Sie während der Arbeit mit dem Werkzeug immer eine ausgeglichene Körperposition und einen sicheren Stand.
- Lassen Sie die Start-/Stoppvorrichtung bei einer Unterbrechung der Hydraulikversorgung los.
- Verwenden Sie nur die vom Hersteller empfohlenen Schmierstoffe.
- Kontakt mit Hydraulikflüssigkeit sollte vermieden werden. Um die Möglichkeit von Hautausschlägen zu minimieren, sollten die betroffenen Stellen nach einem Kontakt sorgfältig abgewaschen werden.
- Materialsicherheitsdatenblätter für alle Hydrauliköle und Schmierstoffe erhalten Sie auf Anfrage bei Ihrem Werkzeuglieferanten.
- Vermeiden Sie ungeeignete Körperhaltungen, da sie es wahrscheinlich nicht ermöglichen, einer normalen oder unerwarteten Bewegung des Werkzeugs entgegenzuwirken.
- Wenn das Werkzeug an einer Aufhängevorrichtung befestigt ist, achten Sie darauf, dass die Befestigung sicher ist.
- Beachten Sie die Quetsch- oder Einklemmgefahren, wenn keine Nietausrüstung montiert ist.
- Werkzeug NICHT bedienen, wenn die Mundstückhülse entfernt wurde.
- Vor der Arbeit müssen die Hände des Bedieners ausreichenden Abstand zum Werkstück haben.
- Wenn das Werkzeug an einen anderen Ort gebracht wird, halten Sie die Hände vom Auslöser fern, um eine unbeabsichtigte Aktivierung zu vermeiden.
- Missbrauchen Sie das Werkzeug NICHT, indem Sie es herunterfallen lassen oder als Hammer verwenden.
- Es ist darauf zu achten, dass verbrauchte Dorne keine Gefahr darstellen.

1.4 GEFAHREN DURCH WIEDERKEHRENDE BEWEGUNGEN

- Bei Verwendung des Werkzeugs können in den Händen, Armen, Schultern, Nacken oder anderen Körperteilen des Bedieners Beschwerden auftreten.
- Bei Verwendung des Werkzeugs sollte der Bediener eine bequeme Haltung einnehmen, gleichzeitig aber sicher stehen und unausgewogene Körperhaltungen vermeiden. Der Bediener sollte bei länger dauernden Aufgaben seine Körperhaltung regelmäßig verändern, um Beschwerden und Ermüdung zu vermeiden.
- Falls der Bediener Symptome wie anhaltende oder wiederkehrende Beschwerden, Schmerzen, Pochen, Kribbeln, Taubheit, Brennen oder Steifheit verspürt, sollten diese Warnzeichen nicht ignoriert werden. Der Bediener sollte seinen Arbeitgeber informieren und sich an einen qualifizierten Arzt wenden.

1.5 GEFAHREN DURCH ZUBEHÖR

- Trennen Sie das Werkzeug von der Luftzufuhr, bevor Sie die Mundstückbaugruppe oder das Zubehör anbringen oder entfernen.
- Verwenden Sie nur Größen und Typen von Zubehör und Verbrauchsmaterialien, die vom Hersteller des Werkzeugs empfohlen werden; andere Typen oder Größen von Zubehör oder Verbrauchsmaterialien sind nicht zulässig.

1.6 GEFAHREN AM ARBEITSPLATZ

- Ausrutschen, Stolpern und Stürzen sind die Hauptursachen für Verletzungen am Arbeitsplatz. Achten Sie auf rutschige Oberflächen, die durch den Einsatz des Werkzeugs verursacht werden, sowie auf Stolperfallen durch die Luftleitung oder den Hydraulikschlauch.
- Gehen Sie in ungewohnter Umgebung besonders vorsichtig vor. Es kann verborgene Gefahren wie Stromleitungen oder andere Versorgungsleitungen geben.
- Das Werkzeug ist nicht für den Einsatz in explosionsgefährdeten Bereichen bestimmt und ist nicht gegen Kontakt mit Strom geschützt.
- Stellen Sie sicher, dass keine elektrischen Kabel, Gasleitungen usw. vorhanden sind, die eine Gefahr verursachen können, falls sie mit dem Werkzeug beschädigt werden.

- Tragen Sie geeignete Kleidung. Tragen Sie keine weite Kleidung und keinen Schmuck. Halten Sie Ihre Haare, Kleidung und Handschuhe von beweglichen Teilen fern. Lose sitzende Kleidung, Schmuck oder lange Haare können sich in den beweglichen Teilen verfangen.
- Es ist darauf zu achten, dass verbrauchte Dorne keine Gefahr darstellen.

1.7 GEFAHREN DURCH LÄRM

- Belastung durch hohe Geräuschpegel kann zu dauerhaften Behinderungen, Hörverlust und anderen Problemen wie Tinnitus (Klingeln, Summen, Pfeifen oder Brummen in den Ohren) führen. Die Risikobewertung und die Einführung geeigneter Kontrollen für diese Gefahren sind daher von wesentlicher Bedeutung.
- Zu den geeigneten Maßnahmen zur Verringerung des Risikos gehören unter anderem Maßnahmen zum Dämpfen von Materialien, um zu verhindern, dass Werkstücke „klingeln“.
- Verwenden Sie einen Gehörschutz, der den Anweisungen des Arbeitgebers und den Arbeitsschutzbestimmungen entspricht.
- Bedienen und warten Sie das Gerät gemäß den Empfehlungen in der Betriebsanleitung, um einen unnötigen Anstieg des Geräuschpegels zu vermeiden.

1.8 GEFAHREN DURCH VIBRATIONEN

- Einwirkung von Vibrationen kann zu Behinderungen der Nerven und der Blutversorgung der Hände und Arme führen.
- Tragen Sie bei kalten Bedingungen warme Kleidung und halten Sie Ihre Hände warm und trocken.
- Wenn Sie Taubheitsgefühl, Kribbeln, Schmerzen oder Weißwerden der Haut in Ihren Fingern oder Händen feststellen, hören Sie auf, das Werkzeug zu verwenden, informieren Sie Ihren Arbeitgeber und wenden Sie sich an einen Arzt.
- Wenn möglich, stützen Sie das Gewicht des Werkzeugs in einem Ständer, einer Einspann- oder Ausgleichsvorrichtung ab, da sich das Werkzeug dann einfacher bedienen lässt.

1.9 ZUSÄTZLICHE SICHERHEITSHINWEISE FÜR PNEUMATISCHE UND HYDRAULISCHE ELEKTROWERKZEUGE

- Der Druck der Versorgungsluft darf 7 bar (100 PSI) nicht überschreiten.
- Unter Druck stehende Luft kann zu schweren Verletzungen führen.
- Lassen Sie ein laufendes Werkzeug niemals unbeaufsichtigt. Trennen Sie den Luftschlauch von der Pumpeneinheit, wenn das Werkzeug nicht in Gebrauch ist bzw. bevor Sie Zubehör austauschen oder Reparaturen durchführen.
- Die Entlüftungsöffnung des Dornkollektors darf NICHT in Richtung des Bedieners oder anderer Personen geöffnet werden. Richten Sie den Luftstrom keinesfalls auf sich selbst oder andere Personen.
- Umherpeitschende Schläuche können zu schweren Verletzungen führen. Führen Sie immer eine Überprüfung auf beschädigte oder lose Schläuche und Armaturen durch.
- Überprüfen Sie das Gerät vor dem Gebrauch auf Schäden; alle Anschlüsse müssen sicher sein. Lassen Sie keine schweren Gegenstände auf Schläuche fallen. Heftige Stöße können zu internen Beschädigungen und zu vorzeitigem Schlauchversagen führen.
- Kalte Luft muss von den Händen weg gerichtet werden.
- Bei Verwendung von Universal-Drehkupplungen (Klauenkupplungen) sind zum Schutz gegen möglichen Ausfall von Schlauch-Werkzeug- oder Schlauch-Schlauch-Verbindungen Sicherungsstifte anzubringen und Sicherheitskabel zu verwenden.
- Heben Sie das Setzwerkzeug NICHT am Schlauch an. Verwenden Sie dazu immer den Griff des Setzwerkzeugs.
- Lüftungsöffnungen dürfen nicht blockiert oder abgedeckt werden.
- Halten Sie Schmutz und Fremdkörper aus dem Hydrauliksystem des Werkzeugs fern, da sonst Fehlfunktionen auftreten können.
- Unter Druck stehendes Öl kann zu schweren Verletzungen führen.
- Hydraulikschläuche vor Gebrauch auch Schäden überprüfen. Alle Hydraulikanschlüsse müssen sauber und vor der Verwendung richtig eingerastet und dicht sein. Lassen Sie keine schweren Gegenstände auf Schläuche fallen. Heftige Stöße können zu internen Beschädigungen und zu vorzeitigem Schlauchversagen führen.
- Ziehen oder bewegen Sie die Verstärkereinheit nicht mit Hilfe der Schläuche. Verwenden Sie immer den Griff des Geräts.
- Öl und Befüllausrüstung müssen sauber sein.
- Es dürfen nur empfohlene Hydraulikflüssigkeiten verwendet werden.
- Die Höchsttemperatur der Hydraulikflüssigkeit am Einlass beträgt 100°C.

⚠ WARNUNG: Auch wenn bei normaler und korrekter Verwendung von Dornen naturgemäß ein geringer Verschleiß und wenig Riefen auftreten, müssen sie regelmäßig auf übermäßigen Verschleiß und Riefen untersucht werden, wobei besonders auf den Kopfdurchmesser, den Klemmbereich der Spannbacke des Schaftes oder auf starke Lochfraßbildung des Schaftes und jegliche Dornverzerrung zu achten ist. Dorne, die während der Verwendung versagen, könnten gewaltsam aus dem Werkzeug ausgestoßen werden. Es liegt in der Verantwortung des Kunden, dafür zu sorgen, dass die Dorne vor dem Auftreten von übermäßigem Verschleiß und stets vor der maximal empfohlenen Anzahl von Setzvorgängen ausgetauscht werden. Wenden Sie sich an Ihren Vertreter von STANLEY Engineered Fastening, der Ihnen diese Werte mitteilen kann, indem er die Räumnadelkraft Ihrer Anwendung mit unserem kalibrierten Messwerkzeug misst.

STANLEY Engineered Fastening verfolgt eine Politik der ständigen Produktweiterentwicklung und Verbesserung und wir behalten uns das Recht vor, die technischen Daten eines Produkts ohne vorherige Ankündigung zu ändern.

2. TECHNISCHE DATEN

2.1 TECHNISCHE DATEN FÜR DAS WERKZEUG 07536

Luftdruck	Minimum - Maximum	5-7 bar (70-100 lbf/in ²)
Erforderliches freies Luftvolumen	@ 5,1 bar /75 lbf/in ²	2,6 Liter (0,09 ft ³)
Hub	Minimum	25 mm (1 Zoll)
Zugkraft	@ 5,5 bar /80 lbf/in ²	3,89 kN (875 lbf)
Zyklusdauer	Ungefähre	1 Sekunde
Gewicht	Pistole	1,2 kg (2,64 lb)

2.2 TECHNISCHE DATEN FÜR DEN VERSTÄRKER 07531

Luftdruck	Minimum - Maximum	5-7 bar (70-100 lbf/in ²)
Intensivierungsrate		32:1

Geräuschwerte bestimmt gemäß Geräuschmessverfahren ISO 15744 und ISO 3744.		07536
A-bewerteter Schalleistungspegel dB(A), L _{WA}	Unsicherheitsfaktor Geräusche: k _{WA} = 2,3 dB(A)	79,5 dB(A)
A-bewerteter Emissionsschalldruckpegel am Arbeitsplatz dB(A), L _{PA}	Unsicherheitsfaktor Geräusche: k _{PA} = 2,3 dB(A)	68,5 dB(A)
C-bewerteter Spitzenemissionsschalldruckpegel dB(C), L _{PC'} peak	Unsicherheitsfaktor Geräusche: k _{PC} = 2,5 dB(C)	96,9 dB(C)
Schwingungswerte bestimmt gemäß Schwingungsmessverfahren nach ISO 20643 und ISO 5349.		07536
Schwingungsabgabenniveau, a _{hd} :	Unsicherheitsfaktor Vibrationen: k = 0,25 m/s ²	0,97 m/s ²
Angegebene Schwingungsabgabewerte gemäß EN 12096		

3. VERWENDUNGSZWECK

Das pneumatische Werkzeug 07536 ist ein leichtes, handgeführtes Werkzeug für das Setzen von 1/16" Avlug® und eignet sich ideal für die Massen- oder Fließmontage in verschiedensten Anwendungen und Branchen.

Das Handgerät und der Verstärker wurden sowohl einzeln als auch in Kombination getestet. Sie dürfen nur gemeinsam und für keine anderen Zwecke verwendet werden. Details zum Anschließen siehe „Inbetriebnahme“ auf Seite 63-66.

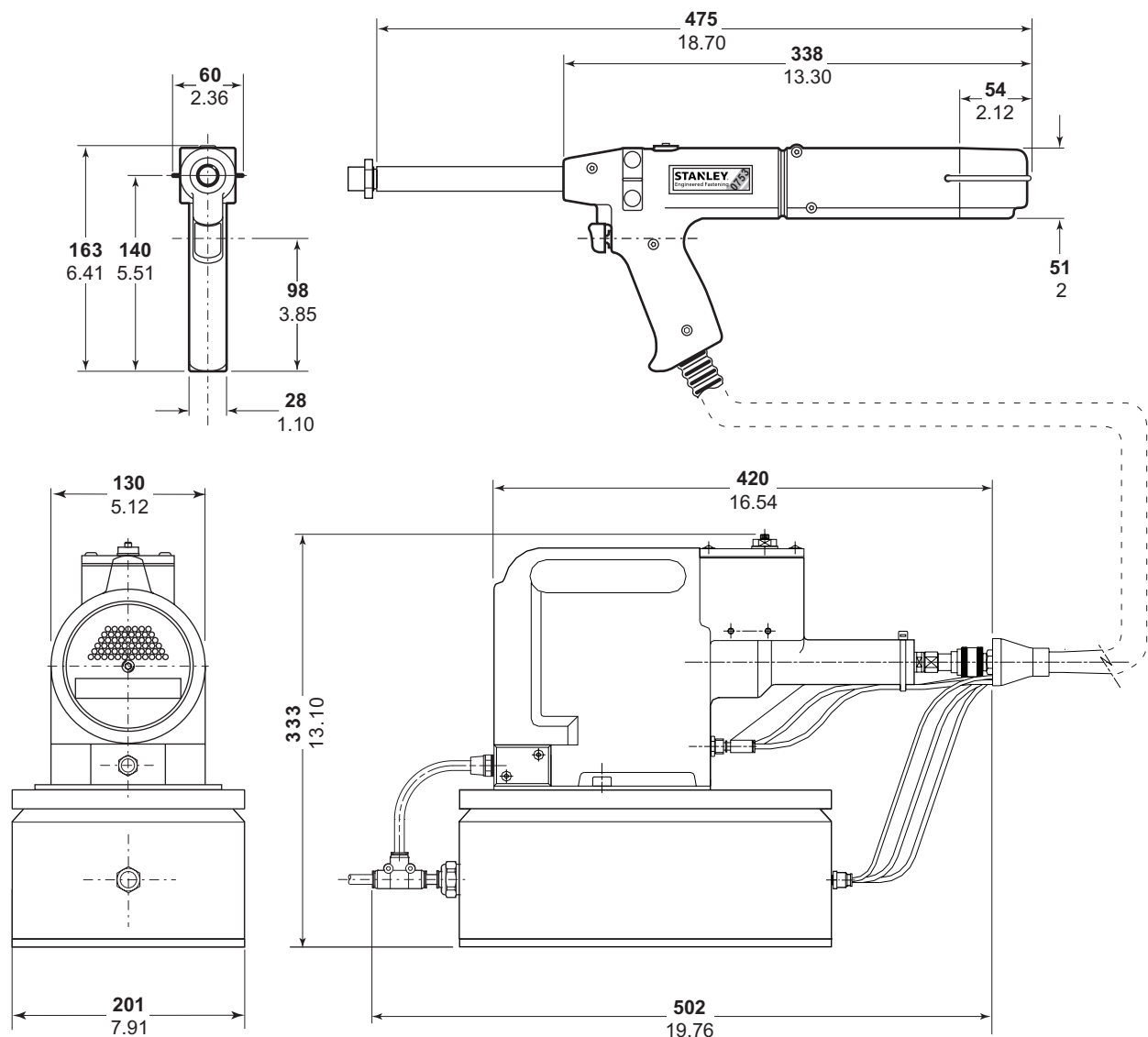
Die angegebenen Teilenummern beziehen sich auf ein komplettes Gerät, aber nicht auf die Nietausrüstung.

Die Werkzeugnummer für das Modell 07536 lautet 07536-02200.
Siehe die allgemeinen Montagehinweise auf den Seiten 69-77.

NICHT VERWENDEN in nasser Umgebung oder in der Nähe von entflammaren Flüssigkeiten oder Gasen.

3.1 WERKZEUGABMESSUNGEN - MODELL 07536

Teilenummer 07536-02100



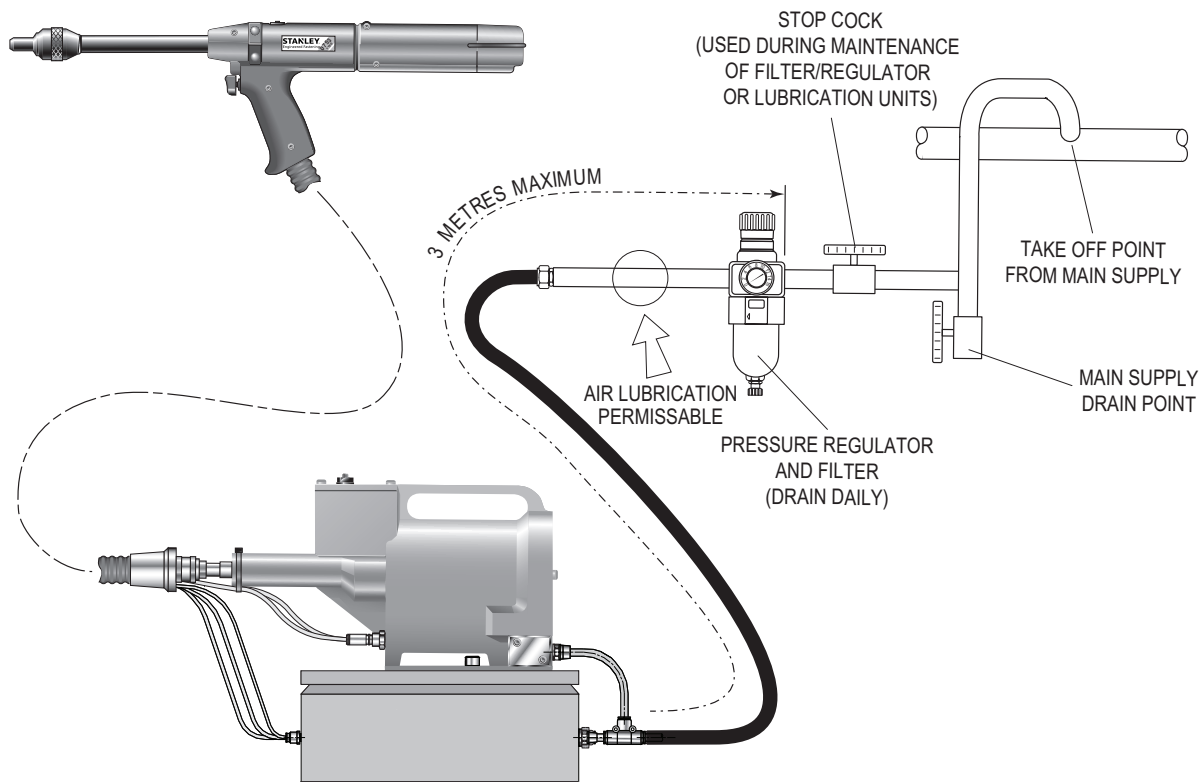
Dimensionen in mm.

4. INBETRIEBNAHME

4.1 LUFTZUFUHR

Alle Werkzeuge werden mit Druckluft bei einem optimalen Druck von 5,5 bar betrieben. Wir empfehlen die Verwendung von Druckreglern und automatischen Öl-/Filtersystemen für die Hauptluftversorgung. Zur Gewährleistung einer maximalen Lebensdauer und einer minimalen Wartung des Werkzeugs sollten die Regler in einem Abstand von höchstens 3 Metern zum Werkzeug angebracht werden (siehe Abbildung unten).

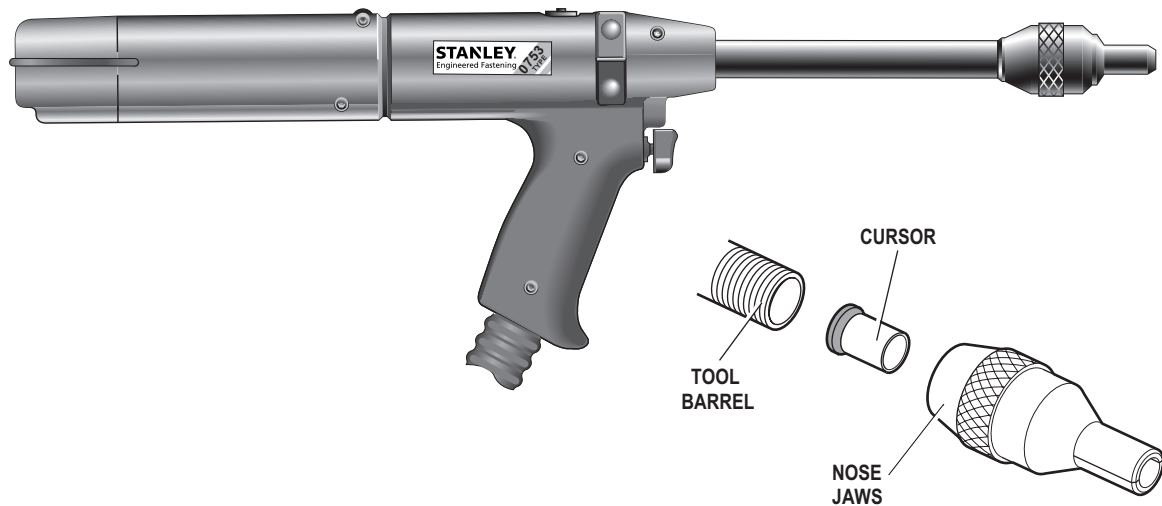
Luftzufuhrschläuche müssen einen Mindestnenndruck von 150 % des im System erzeugten Maximaldrucks haben, oder 10 bar, je nachdem, was höher ist. Luftzufuhrschläuche müssen ölbeständig sein, eine abriebfeste Außenseite haben und sollten gepanzert sein, wenn die Betriebsbedingungen eine Beschädigung der Schläuche zur Folge haben können. Alle Luftzufuhrschläuche MÜSSEN einen minimalen Innendurchmesser von 6,4 Millimetern bzw. 1/4 Zoll haben.



Gehen Sie beim Anschluss des Geräts an den Verstärker und die Hauptluftversorgung wie folgt vor:

- Stecken Sie das Ende des großen Hydraulikschlauches vom Werkzeug in den Schnellverschluss am Ende des Verstärkers.
- An der Vorderseite des Verstärkers (siehe Seite 69):
 - Schieben Sie die blaue Pneumatikleitung (4 mm Außendurchmesser) in das Reduzierstück, das sich im linken Schottanschluss befindet.
 - Schieben Sie die schwarze Pneumatikleitung (4 mm Außendurchmesser) in die Kunststoff-Spannzange des rechten Schottanschlusses.
- An der Vorderseite des Schaltkastens (siehe Seite 69):
 - Stecken Sie die silberfarbene Pneumatikleitung (3mm Außendurchmesser) in das Reduzierstück mit der Aufschrift ‚Cursor‘ (Schieber) links an der Vorderseite des Schaltkastens.
 - Stecken Sie die grüne Pneumatikleitung (4mm Außendurchmesser) in das Reduzierstück mit der Aufschrift ‚Tail Jaws‘ (Endbacken) in der Mitte der Vorderseite des Schaltkastens.
 - Stecken Sie die weiße Pneumatikleitung (4mm Außendurchmesser) in das Reduzierstück mit der Aufschrift ‚Signal‘ rechts an der Vorderseite des Schaltkastens.
- Montieren Sie einen Pneumatikschlauch zwischen dem Anschluss mit Außengewinde hinten am Verstärker und der Hauptluftversorgung.

4.2 LUFTSCHIEBER



Auswahl des Luftschiebers

Siehe separates Datenblatt 07900-00863 für die Komponenten der Mundstückbaugruppe.

SCHIEBER

WICHTIG

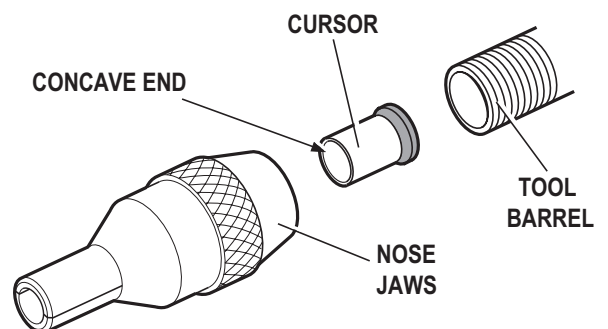
Bei falscher Montage lässt der Schieber das Laden des Werkzeugs und die Zuführung der Befestigungsmittel nicht zu.

Obwohl der Schieber bei der Lieferung des Werkzeugs richtig herum eingesetzt ist, empfehlen wir Ihnen, seine Ausrichtung zu überprüfen, bevor Sie das Mundstück montieren. Das leicht konkave Ende des Schiebers sollte wie abgebildet zur Vorderseite des Werkzeugs zeigen.

Um die Ausrichtung des Schiebers umzukehren, gehen Sie wie folgt vor:

Bei dem folgenden Verfahren ist äußerste Vorsicht geboten. Es ist darauf zu achten, dass der Lauf und der vorstehende Dorn nicht beschädigt werden.

- Entfernen Sie die Mundstückbaugruppe, falls vorhanden.
- Setzen Sie einen leeren Gewindedorn vollständig in das Werkzeug ein.
- Schließen Sie die Endbacken **32**, indem Sie den Schalter für die Endbacken (Position **18** und **19**) einschalten.
- Der Schieber springt nach einer kurzen Verzögerung aus dem Lauf heraus.
- Öffnen Sie die Endbacken **32**, indem Sie den Schalter für die Endbacken (Position **18** und **19**) einschalten. Dadurch wird der Dorn freigegeben.
- Nehmen Sie den Schieber vom Dorn und setzen Sie ihn in den Lauf ein.



4.3 LADEN UND NACHLADEN DES WERKZEUGS

WICHTIG

Das Verfahren zum Laden des Werkzeugs und zum Anbringen der Nietausrüstung am Werkzeug ist integriert.

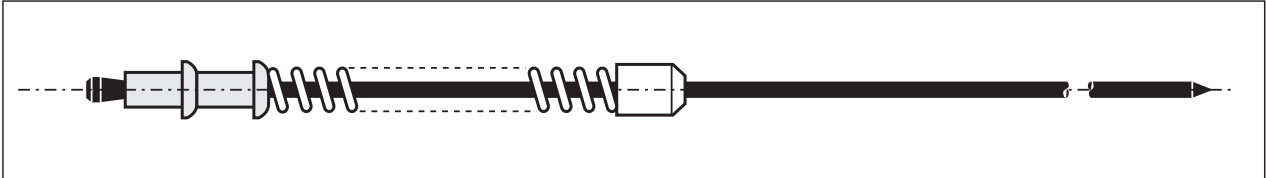
Wenn Sie ein komplettes Werkzeug oder System bestellen, erhalten Sie in der Regel alle für den zu setzenden Befestiger erforderlichen Nietausrüstungen.

Wenn Sie über Mundstückbacken, Dornen und Dornfolgefedern verfügen, fahren Sie mit dem Laden des Werkzeugs und der Montage der Nietausrüstung wie nachstehend gezeigt fort.

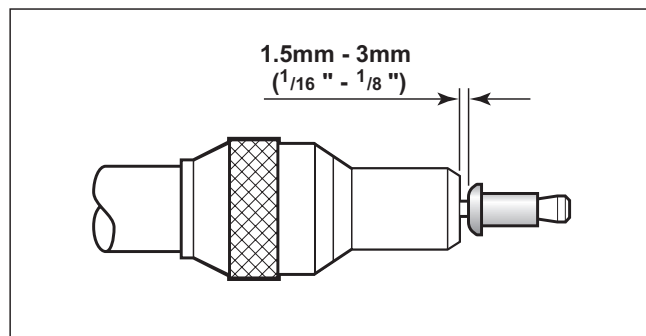
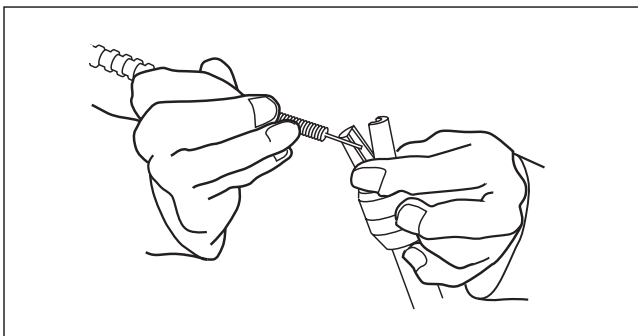
Die **fettgedruckten** Positionsnummern verweisen auf die Allgemeine Montage und Ersatzteilliste für das Modell 07536-02200 auf den Seiten 73-74.

LADEN DES WERKZEUGS

- Luftversorgung an das Werkzeug anschließen.
- Öffnen Sie die Endbacken **32**, die den Dorn festhalten, indem Sie den Schalter für die Endbacken (Position **18** und **19**) ausschalten.
- Dann die gewählten Mundstückbacken auf den Lauf **44** des Werkzeugs schrauben.
- * Einen Dorn durch die Papierhülse in das hintere Ende der Befestigungsmittel einsetzen.
- Die Dornfolgefeder auf den Dorn schieben und dabei auf die korrekte Ausrichtung achten.



- Das hintere Ende des Dorns festhalten und die Papierhülse um die Befestigungsmittel herum abreißen.
- Die Mundstückbacken entweder, beinockengesteuerten Backen, durch Drehen des Außenrings oder durch Drücken der Backenenden nach außen öffnen, wie unten links abgebildet.
- Führen Sie den zuvor montierten Dorn, die Dornfolgefeder und die Befestiger in die Mundstückbacken ein, bis der erste zu setzende Befestiger aus der Mundstückbacke herausragt.
- Schließen Sie die Mundstückbacken und stellen Sie sie so ein, dass der erste Befestiger um 1,5 mm bis 3 mm ($1/16''$ bis $1/8''$) herausragt, wie in der Abbildung unten rechts dargestellt.
- Schließen Sie die Endbacken **32**, um sicherzustellen, dass der Dorn festgehalten wird, indem Sie den Schalter für die Endbacken (Position **18** und **19**) einschalten.

**Nachladen des Werkzeugs**

- Öffnen Sie die Endbacken **32** des Werkzeugs, indem Sie den Schalter für die Endbacken (Position **18** und **19**) ausschalten.
- Öffnen Sie die Spannbacken und ziehen Sie den leeren Dorn und die Dornfolgefeder aus dem Werkzeug.
- Laden Sie das Werkzeug nach, indem Sie die obigen Anweisungen befolgen, beginnend mit dem mit •* gekennzeichneten Schritt.

Einstellen des Werkzeugs - nur bei einstellbaren Mundstückbaugruppen

Setzen Sie den zuvor montierten Dorn (siehe Laden des Werkzeugs, mit •* gekennzeichnetem Schritt) oder den Einwegdorn gegen den Anschlag in der Endbackenkolbenbaugruppe **60** ein.

Halten Sie den Dorn fest und schließen Sie die Endbacken **32**, die den Dorn festhalten, indem Sie den Schalter für die Endbacken (**18** und **19**) einschalten.

Dann die Sicherungsmutter auf den Lauf **44** des Werkzeugs schrauben.

Drehen Sie die Mundstückbaugruppe auf den Lauf **44**.

Die **fettgedruckten** Positionsnummern verweisen auf die Allgemeine Montage und Ersatzteilliste für das Modell 07536-02200 auf den Seiten 73-74.

Stellen Sie die Mundstückbaugruppe so ein, dass der erste Befestiger um 1,5mm bis -3mm ($1/16''$ - $1/8''$) herausragt, wie in der Abbildung auf Seite 65 dargestellt.

Ziehen Sie die Sicherungsmutter gegen die Mundstückbaugruppe fest, damit sich die Mundstückbackenbaugruppe nicht bewegen kann.

Nachladen des Werkzeugs

Öffnen Sie die Endbacken des Werkzeugs, indem Sie den Schalter für die Endbacken (**18-19**) ausschalten.

Öffnen Sie die Backen und ziehen Sie den leeren Dorn und die Folgefeder aus dem Werkzeug.

Setzen Sie den neuen Dorn bis zum Anschlag im Werkzeug ein und schließen Sie die Endbacken **32**, die den Dorn festhalten, indem Sie den Schalter für die Endbacken (**18** und **19**) einschalten.

Schließen Sie die Endbacken **32**.

4.4 BEDIENUNGSSCHRITTE

WICHTIG

Bevor Sie das Werkzeug in Betrieb nehmen, müssen Sie überprüfen, ob die Ausrichtung des Schiebers und der Nietausrüstung korrekt ist.

- Drücken Sie den aus den Spannbacken herausragende Befestiger vollständig in das Anwendungsloch und stellen Sie sicher, dass das Werkzeug rechtwinklig gehalten wird.
- Betätigen Sie den Auslöser, ohne ihn loszulassen - der Dornkopf wird durch den Befestiger gezogen und formt den Befestiger in die Anwendung hinein.
- Entfernen Sie das Werkzeug.
- Lassen Sie den Auslöser los. Der nächste Befestiger wird automatisch durch die Spannbacken geführt und ist für den Setzvorgang bereit.

5. WARTUNG DES WERKZEUGS

Es sollte eine regelmäßige Wartung durchgeführt werden, und eine umfassende Inspektion ist jährlich oder alle 500.000 Zyklen erforderlich, je nachdem, was früher eintritt.

WICHTIG

Der Betreiber ist dafür verantwortlich, dass diese Anweisungen zur Werkzeugwartung dem jeweiligen Bediener zur Verfügung gestellt werden.

Der Bediener darf nur dann Wartungs- oder Reparaturarbeiten am Werkzeug vornehmen, wenn er entsprechend geschult wurde.

5.1 PNEUMATIKSCHALTCASTEN

WICHTIG

Der Pneumatikschaltkasten darf unter keinen Umständen geöffnet werden. Dieser Kasten ist eine geschlossene Komponente.

Die internen Einstellungen sind voreingestellt und dürfen weder verändert noch manipuliert werden. Nur autorisiertes Personal von STANLEY Engineered Fastening darf diesen Schaltkasten zerlegen.

▲ VORSICHT: Verwenden Sie niemals Lösungsmittel oder andere scharfe Chemikalien für die Reinigung der nichtmetallischen Teile des Gerätes. Diese Chemikalien können das in diesen Teilen verwendete Material aufweichen.

5.2 TÄGLICH

- Täglich, vor dem Gebrauch oder bei der ersten Inbetriebnahme des Geräts. Geben Sie ein paar Tropfen frisches Schmieröl in den Lufteinlass des Verstärkers, wenn die Luftzufuhr nicht mit einer Schmiervorrichtung ausgestattet ist. Wird das Werkzeug im Dauereinsatz verwendet, sollte der Luftschlauch alle zwei bis drei Stunden von der Hauptluftzufuhr getrennt und das Werkzeug geschmiert werden.
- Achten Sie auf Flüssigkeits- und Luftlecks. Beschädigte Schläuche und Kupplungen sollten ausgetauscht werden.
- Wenn der Druckregler keinen Filter besitzt, entlüften Sie vor dem Anschließen des Luftschlauchs an den Verstärker die Luftleitung, um sie von angesammeltem Schmutz oder Wasser zu befreien. Wenn ein Filter vorhanden ist, entleeren Sie ihn.
- Überprüfen Sie, ob die richtige Nietausrüstung verwendet wird.
- Prüfen Sie die Dorne regelmäßig auf Anzeichen von Verschleiß oder Beschädigung und überwachen Sie die Anzahl der Setzvorgänge (lesen Sie die Sicherheitshinweise auf Seite 58-60).

5.3 WÖCHENTLICH

- Führen Sie alle „täglich“ Verfahren wie oben beschrieben durch.
- Entfernen, überprüfen, reinigen und fetten Sie die Spannbacken (siehe „Spannbackenzylinder“ im Abschnitt „Wartung“, Seite 70).
- Prüfen Sie, ob der Ölstand im Behälter des Verstärkers ca. 12 mm (1/2") unter der transparenten Abdeckplatte liegt.

5.4 SICHERHEITSDATEN ZU MOLY-LITHIUM-FETT EP 3753

Fett kann als Einzelartikel bestellt werden, die Teilenummer ist im Wartungskit auf Seite 68 angegeben.

Erste Hilfe

HAUT:

Da das Fett vollständig wasserabweisend ist, wird es am besten mit einem zugelassenen emulgierenden Hautreiniger entfernt.

VERSCHLUCKEN:

Sicherstellen, dass die Person 30 ml Magnesium zu sich nimmt, vorzugsweise in Form einer Tasse Milch.

AUGEN:

Reizend, aber nicht schädlich. Mit Wasser spülen und Arzt aufsuchen.

Brand

FLAMMPUNKT: Über 220°C.

Nicht als brennbar eingestuft.

Geeignete Löschmittel: CO₂, Halon oder Wasserspray, wenn von einem erfahrenen Betreiber angewendet.

Umfeld

Zusammenkratzen und zur Verbrennung oder Entsorgung zur zugelassenen Stelle bringen.

Handhabung

Schutzcreme oder ölfeste Handschuhe verwenden.

Lagerung

Von Hitze und Oxidationsmitteln fernhalten.

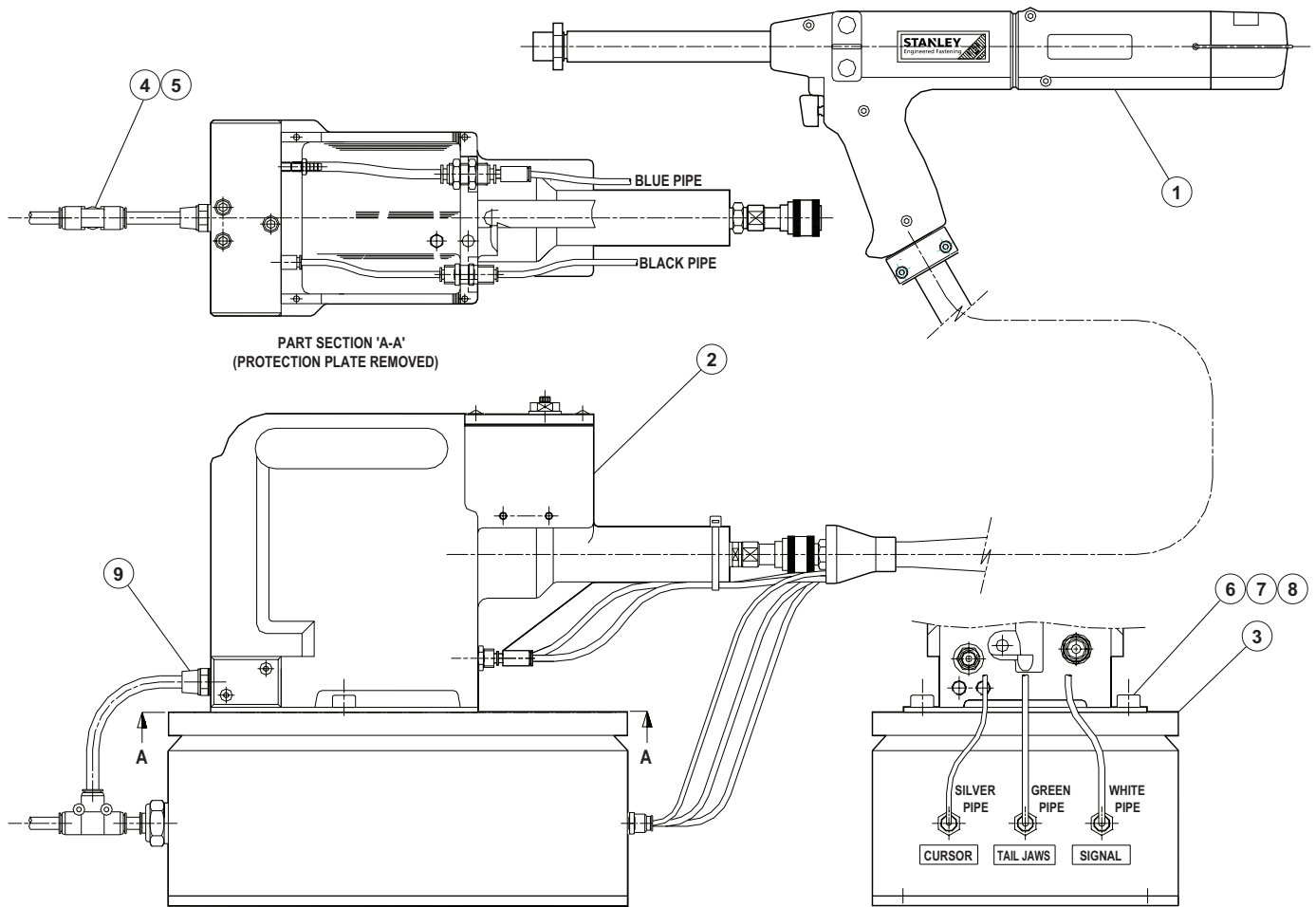
5.5 WARTUNGSKIT

Für alle Wartungsarbeiten empfehlen wir die Verwendung des Wartungskits (Teilenummer 07900-05300).

WARTUNGSKIT					
ARTIKELNUMMER	BESCHREIBUNG	ANZAHL	ARTIKELNUMMER	BESCHREIBUNG	ANZAHL
07900-00157	SICHERUNGSRINGZANGE	1	07900-00352	DICHTUNGSENTFERNUNGSHAKEN	1
07900-00006	SPATEL	1	07900-00710	SCHLÜSSEL ZUM ENTFERNEN DES LAUFSTOPFENS	1
07900-00446	AUSZIEHER	1	07900-00725	KUGEL	1
07900-00603	LAUF-SCHRAUBSTOCKBACKEN	1	07900-00243	SCHRAUBENDREHER	1
07900-00520	3/8"-STANGE	1	07900-00717	VERSTÄRKER-SCHRAUBENSCHLÜSSEL	1
07900-00521	1/4"-STANGE	1	07900-00013	1/8"-INBUSSCHLÜSSEL	1
07900-00602	O-RING-MONTAGEWERKZEUG	1	07900-00617	LOCTITE® MULTI-GASKET 574 50ml PAKET	1
07900-00595	18mm-SCHRAUBENSCHLÜSSEL	1	07900-00469	2,5mm-INBUSSCHLÜSSEL	1
07900-00434	32mm-SCHRAUBENSCHLÜSSEL	1	07900-00351	3mm-INBUSSCHLÜSSEL	1
07900-00237	3/8" × 5/16" B.S.W. SCHRAUBENSCHLÜSSEL	1	07900-00224	4mm-INBUSSCHLÜSSEL	1
07900-00012	9/16" × 5/8" -SCHRAUBENSCHLÜSSEL	1	07900-00225	5mm-INBUSSCHLÜSSEL	1
07900-00008	7/16" × 1/2" -SCHRAUBENSCHLÜSSEL	1	07992-00020	80g TIN MOLY LITHIUM-FETT EP 3753	1

Hinweis: Die Schlüsselweiten werden, wenn nicht anders angegeben, „über die Schlüsselflächen“ gemessen.

5.6 BAUGRUPPE LUFTSCHIEBER WERKZEUG, VERSTÄRKER & SCHALTKASTEN 07536-02100



POSITION	ARTIKELNR.	BESCHREIBUNG	ANZAHL
1	07536-02200	LUFTSCHIEBER HANDWERKZEUG	1
2	07531-02200	VERSTÄRKER WERKZEUG	1
3	07007-02024	LUFTSCHIEBER SCHALTKASTEN	1
4	07005-10071	T-VERBINDER	1
5	07005-10072	8-MM-ROHR (2,50 m)	1
6	74405-12080	MODIFIZIERTER M8 NUTSERT	8
7	07001-00469	M8 × 15 INNENSECHSKANT-ZYLINDERSCHRAUBE	2
8	07002-00105	M8-UNTERLEGSCHIBE	4
9	07005-01573	VERBINDER 8MM-ROHR	1
10	07005-01977	REDUZIERSTÜCK AUSSEN-/INNENGEWINDE 6MM / 4MM	1

6. INSTANDHALTUNG

Alle 500.000 Zyklen sollte das Werkzeug vollständig demontiert und neue Komponenten verwendet werden, wenn sie verschlissen oder beschädigt sind oder dies empfohlen wird. Alle O-Ringe und Dichtungen sollten vor der erneuten Montage erneuert und mit Moly Lithium-Fett EP 3753 geschmiert werden.

WICHTIG

Sicherheitshinweise siehe Seite 4.

Der Betreiber ist dafür verantwortlich, dass diese Anweisungen zur Werkzeugwartung dem jeweiligen Bediener zur Verfügung gestellt werden.

Der Bediener darf nur dann Wartungs- oder Reparaturarbeiten am Werkzeug vornehmen, wenn er entsprechend geschult wurde.

Vor Wartung oder Zerlegen ist, soweit nicht anders angewiesen, das Gerät von der Luftleitung zu trennen.

Es wird empfohlen, sämtliche Demontearbeiten unter sauberen Bedingungen durchzuführen.

Vor dem Zerlegen des Werkzeugs muss die Nietausrüstung abgenommen werden.

Für die vollständige Wartung des Geräts empfehlen wir, mit der Demontage der Unterbaugruppen in der unten dargestellten Reihenfolge fortzufahren, nachdem der Hydraulikschlauch von der Verstärkereinheit, die Luftleitungen vom Verstärker und dem Schaltkasten abgetrennt wurden, wodurch die Pistoleneinheit von der Verstärkereinheit getrennt wird.

Potenziell gefährliche Stoffe, die sich während der Arbeiten an dem Gerät abgelagert haben, müssen vor der Wartung beseitigt werden.

6.1 DEMONTAGE 07536-02200

ENDBACKENZYLINDER

- Klappen Sie den Halteclip **53** von Hand hoch und entfernen Sie die Endkappe **59**.
- Entfernen Sie mit einem Innensechskantschlüssel* eine Zylinderschraube **6** und stellen Sie sicher, dass eventuell eingeschlossene Luft aus dem Endbackenzylinder entweicht. Entfernen Sie die zweite Zylinderschraube **6**.
- Ziehen Sie den hinteren Stopfen **50** heraus. **Hinweis:** Zur Erleichterung des Herausziehens befindet sich an der Rückseite des Stopfens ein 5-mm-Gewinde.
- Ziehen Sie die Luft-Endbackenkomponenten heraus, bestehend aus der Endbackenkolbenbaugruppe **60**, der Anschlag **52**, O-Ring **12** und Backen **32**.
- Ziehen Sie die restlichen Komponenten heraus, bestehend aus der Feder **36** und der Spannbackenhülse **42**.
- Die freie Länge der Feder **36** sollte 38,1 mm (1,5") betragen. Gegebenenfalls ersetzen.
- Entfernen Sie den O-Ring der Kolbenbaugruppendichtung **11**.
- Trennen Sie den Luftschieber-Faltenschlauch (grün) **49** vom Winkelverbinder **22**.
- Trennen Sie das Luftschieber-Faltenschlauch (Silber) **38** vom Stecknippel-Winkelverbinder **30**.
- Entfernen Sie mit einem Inbusschlüssel* alle fünf Schrauben **3**, **4** und alle vier Muttern **8**, die zur Befestigung der Griffleiste dienen, vom Werkzeuggriff.
- Spannen Sie den Lauf **44** mit weichen Backen in einen Schraubstock ein, um Beschädigungen zu vermeiden.
- Schrauben Sie mit einem Steckschlüssel* den Laufstopfen **46** ab und verhindern Sie mit einem Maulschlüssel*, dass sich der Lauf **44** dreht.
- Ziehen Sie den Endbackenzylinder **47** vom Werkzeug ab.
- Entfernen Sie den O-Ring **14**, das Reibband **41** und die Rückstellfeder **37**.
- Streichen Sie die Fläche der Endbacken **32**, die mit der Spannbackenhülse **42** in Kontakt ist, vor dem Zusammenbau mit Moly-Lithium-Fett ein.
- Der Zusammenbau erfolgt in umgekehrter Reihenfolge der Demontage.

* Bezieht sich auf die im Wartungskit 0753 MklI enthaltenen Teile. Vollständige Liste siehe Seite 68.

Die **fettgedruckten** Positionsnummern beziehen sich auf die Allgemeinen Montagen und die Teilelisten auf den Seiten 73-74.

HYDRAULIKKOLBEN

- Entfernen Sie den Endbackenzylinder **47** wie zuvor beschrieben.
- Spannen Sie den Werkzeugkörper **45** mit weichen Backen in den Schraubstock ein, um Beschädigungen zu vermeiden, dann den Hubbegrenzer **40** lösen.
- Lösen Sie mit einem Inbusschlüssel* die Schraube **5**, mit welcher der Schalterblock **54** am Lauf **44** befestigt ist.
- Halten Sie das Werkzeug fest und ziehen Sie den Lauf **44** aus dem Werkzeugkörper **45** (dabei kann eine kleine Menge Hydrauliköl aus dem Inneren der Kopfbaugruppe austreten).
- Entfernen Sie den Kolben **39** vorsichtig, um die Bohrung des Kopfes nicht zu beschädigen.
- Dichtung **16** entfernen.
- Die Dichtung **17** lässt sich nur schwer entfernen, ohne sie zu beschädigen, kann aber während der Reinigung an Ort und Stelle bleiben (sofern sie durch den Reinigungsprozess nicht beeinträchtigt wird). Wenn Dichtung **17** jedoch erneuert werden muss, gehen Sie wie folgt vor:
- Mit einem Spatel* die Dichtung **17** aus dem Werkzeugkörper **45** heraushebeln, wobei zu beachten ist, dass der Hohlraum und die Bohrungen im Werkzeugkörper nicht beschädigt werden. Die entfernte Dichtung **17** MUSS entsorgt werden.
- Zum Auswechseln der Dichtung **17** die Entlüftungsschraubenbaugruppe **43** herausschrauben, bis die Innenfläche mit der Innenbohrung des Werkzeugkörpers **45** bündig ist. Dadurch entsteht ein glatter Durchgang für das Einsetzen der neuen Dichtung **17** durch die Rückseite des Werkzeugkörpers **45**.
- Vergewissern Sie sich, dass die Dichtung **17** gut eingefettet ist und richtig herum liegt, so dass das offene Ende der Dichtung zu den hinteren Endbacken zeigt.
- Führen Sie den Zusammenbau in umgekehrter Reihenfolge der Demontage durch.

AUSLÖSERBAUGRUPPE

- Um die Baugruppe zu demontieren/zu warten, entfernen Sie die Abdeckungen wie zuvor beschrieben vom Werkzeug.
- Trennen Sie alle Luftschläuche von der Baugruppe und achten Sie dabei darauf, sie nicht zu beschädigen. Entfernen Sie die Baugruppe.
- Schrauben Sie die Aufnahme **34** mit einem Schraubenschlüssel* ab und entfernen Sie sie. Achten Sie darauf, dass die Feder **31** erhalten bleibt.
- Heben Sie den O-Ring **10** ab und achten Sie dabei darauf, die Sitze der Spindel **35** und der Aufnahme **34** nicht zu beschädigen.
- Reinigen und mit einem neuen O-Ring **10** wieder zusammenbauen.
- Prüfen Sie die Länge der Feder **31**, die eine freie Länge von 12,7 mm (0,5") haben muss – ersetzen Sie sie gegebenenfalls.
- Der Zusammenbau erfolgt in umgekehrter Reihenfolge der Demontage.

EIN/AUS-VENTIL FÜR DIE ENDBACKEN

- Das Gerät ist so konzipiert, dass während seiner Lebensdauer nur ein Minimum an Wartungsarbeiten erforderlich ist.
- Wenn das Ventil zerlegt werden muss, gehen Sie wie folgt vor:
- Entfernen Sie das Auslösergehäuse **56** wie im Abschnitt „Hydraulikkolben“ beschrieben.
- Entfernen Sie mit einem Schraubendreher* vorsichtig die verchromte Starlock-Scheibe **18** von dem Endbacken-Luftsteuerkolben **55** und entsorgen Sie die Scheibe.
- Ziehen Sie den Endbacken-Luftsteuerkolben **55** vom Schalterblock **54** ab.
- Entfernen Sie die O-Ringe **12**, wobei darauf zu achten ist, dass der Endbacken-Luftsteuerkolben **55** nicht beschädigt wird.
- Reinigen Sie den Steuerkolben und setzen Sie die neuen O-Ringe **12** mit Hilfe des Montagewerkzeugs* wieder ein und setzen Sie sie in den Schalterblock **54** ein, achten Sie dabei auf die Ausrichtung.

* Bezieht sich auf die im Wartungskit 0753 Mkll enthaltenen Teile. Vollständige Liste siehe Seite 68.

Die **fettgedruckten** Positionsnummern beziehen sich auf die Allgemeinen Montagen und die Teilleisten auf den Seiten 73-74.

- Montieren Sie die neue verchromte Starlock-Scheibe **18**, indem Sie sie in einen Schraubstock mit weichen Backen einspannen, um Beschädigungen zu vermeiden. KEINE ÜBERMÄSSIGE KRAFT ANWENDEN.
- Führen Sie den Zusammenbau in umgekehrter Reihenfolge der Demontage durch.

GRIFF & ENDKAPPE

- Reinigen Sie die Griffleisten und untersuchen Sie sie auf Risse oder andere Schäden.

SCHIEBER

- Reinigen und ölen Sie die Schieberbaugruppe gelegentlich mit ein wenig Leichtöl.

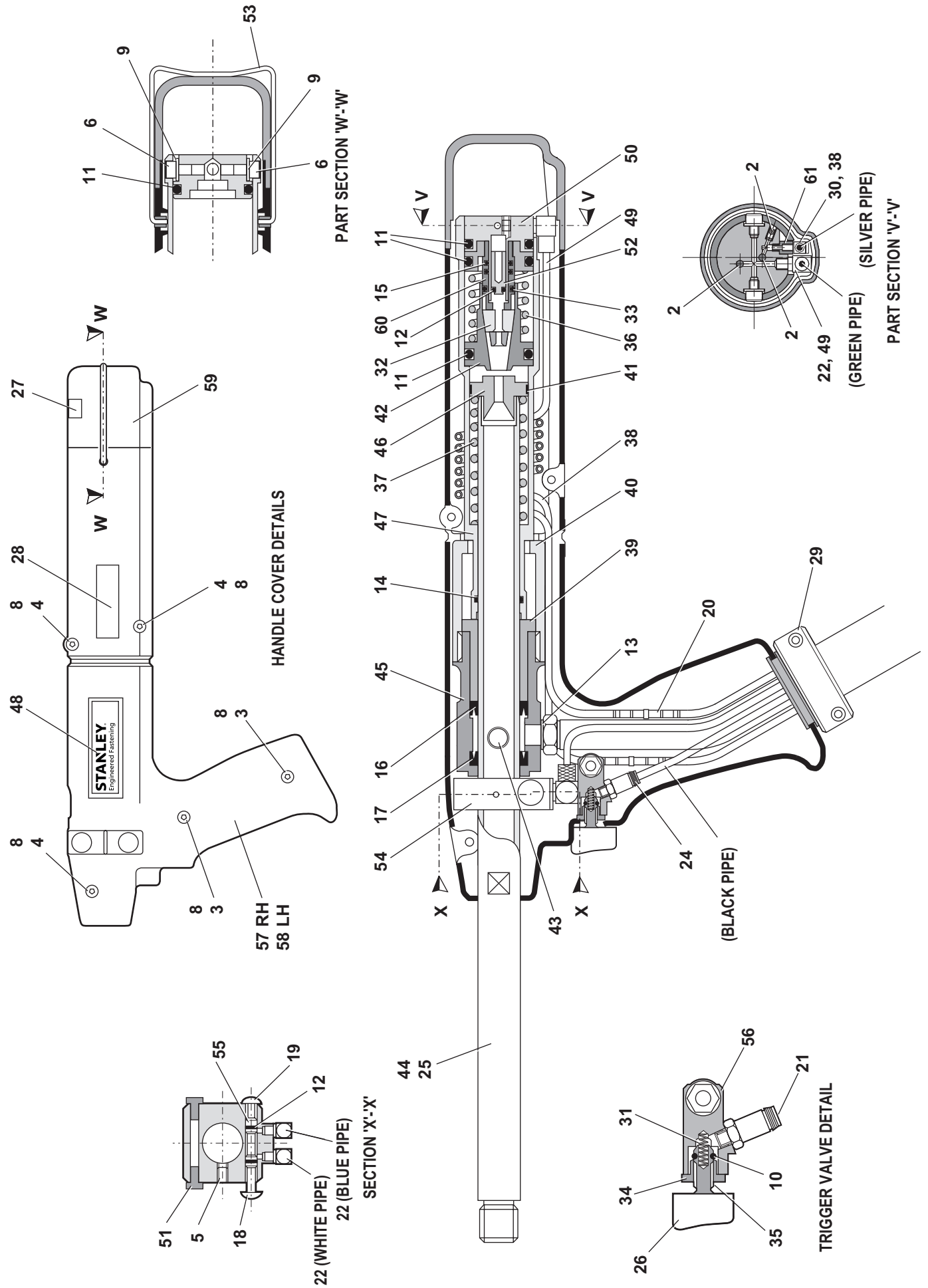
WICHTIG

**Überprüfen Sie das Werkzeug bei der täglichen und wöchentlichen Wartung.
Nach dem Zerlegen des Gerätes und vor Inbetriebnahme ist IMMER ein Auffüllen erforderlich.**

* Bezieht sich auf die im Wartungskit 0753 MkII enthaltenen Teile. Vollständige Liste siehe Seite 68.

Die **fettgedruckten** Positionsnummern beziehen sich auf die Allgemeinen Montagen und die Teilelisten auf den Seiten 73-74.

6.2 ALLGEMEINE MONTAGE DES BASISWERKZEUGS 07536-02200



6.3 TEILELISTE FÜR BASISWERKZEUG 07536-02200

07536-02200 TEILELISTE										
POSITION	ARTIKELNR.	BESCHREIBUNG	MENGE	ERSATZTEILE POSITION	ARTIKELNR.	BESCHREIBUNG	MENGE	ERSATZTEILE	MENGE	ERSATZTEILE
1	07007-00392	KABELBINDER (NICHT ABGEBILDET)	1	-	07220-00803	AUFNAHME	1	-	1	-
2	07001-00499	M3 x 5 LANGER GEWINDESTIFT	3	-	07241-00208	SPINDEL	1	-	1	-
3	07001-00262	M4 x 22 LANGE INNENSECHSKANTSCHRAUBE	1	-	07154-00404	FEDER	1	-	1	-
4	07001-00401	M4 x 10 LANGE INNENSECHSKANTSCHRAUBE	4	-	07490-03002	LAUFRÜCKSTELLFEDER	1	-	1	-
5	07001-00404	M5 x 6 LANGER GEWINDESTIFT	1	-	07536-02211	3MM LUFTSCHIEBER-FALTENSCHLAUCH - SILBERFARBEN	1	-	1	-
6	07001-00504	M4 x 6 LANGE INNENSECHSKANTSCHRAUBE	2	2	07536-00203	KOLBEN	1	-	1	-
7					07530-00204	HUBBEGRENZER	1	-	1	-
8	07002-00134	M4-SECHSKANTMUTTER	4	-	07530-00206	REIBEBAND	1	-	1	1
9	07002-00153	M4-UNTERLEGSCHIBE [KUNSTSTOFF]	2	-	07536-00208	SPANNBACKENHÜLSE	1	-	1	-
10	07003-00022	O-RING	1	-	07530-00500	ENTLÜFTUNGSSCHRAUBENBAUGRUPPE [POSITION 62 BIS 65] ●	1	-	1	-
11	07003-00113	O-RING	3	3	07536-02201	LAUF	1	-	1	-
12	07003-00121	O-RING	3	3	07530-02202	KAROSSERIE	1	-	1	-
13	07003-00142	1/8" BSP-VERBUNDDICHTUNG	1	1	07530-02205	LAUFSTOPFEN	1	-	1	-
14	07003-00167	O-RING	1	1	07536-02207	ENDBACKENZYLINDER	1	-	1	-
15	07003-00386	O-RING	2	-	07530-02210	ETIKETT	2	-	2	-
16	07003-00236	DICHTUNG [DYNAMISCH]	1	1	07536-02212	4MM LUFTSCHIEBER-FALTENSCHLAUCH - GRÜN	1	-	1	-
17	07003-00237	DICHTUNG [STATISCH]	1	-	07536-02213	HINTERER STOPFEN	1	-	1	-
18	07004-00058	1/8" STARLOCK-UNTERLEGSCHIBE CHROM	1	-	07530-00310	BLINDSTOPFEN	2	-	2	-
19	07004-00059	1/8" STARLOCK-UNTERLEGSCHIBE SCHWARZ	1	-	07536-02214	STOP	1	-	1	-
20	07005-10073	3MM-VERBINDER	1	-	07530-02220	CLIP	1	-	1	-
21	07005-01357	SPANNZANGENVERBINDER	1	-	07530-02301	SCHALTERBLOCK	1	-	1	-
22	07005-01571	WINKELVERBINDER	3	-	07530-02302	ENDBACKEN-LUFTSTEUERKOLBEN	1	-	1	-
23	07536-02216	SICHERUNGSMUTTER	1	-	07530-02311	AUSLÖSERGEHÄUSE	1	-	1	-
24	07005-10074	2MM-VERBINDER	1	-	07536-02601	GRIFFELEISTENBAUGRUPPE RECHTS	1	-	1	-
25	07007-00017	STAUBKAPPE	1	-	07536-02602	GRIFFELEISTENBAUGRUPPE LINKS	1	-	1	-
26	07007-00300	AUSLÖSETASTE	1	-	07530-02603	ENDKAPPE	1	-	1	-
27	73200-02022	SICHERHEITSETIKETT	1	-	07536-02800	ENDBACKENKOLBENBAUGRUPPE	1	-	1	-
28	07007-01504	ETIKETT CE-MARKIERUNG	1	-	07536-02215	ANSCHLUSSADAPTER	1	-	1	-
29	07008-00438	FLEXIBLE SCHLAUCHBAUGRUPPE	1	-	07003-00142	● VERBUNDDICHTUNG (NICHT ABGEBILDET)	1	-	1	1
30	07005-01323	M3 STECKNIPPEL-WINKELVERBINDER	1	-	07003-00194	● VERBUNDDICHTUNG (NICHT ABGEBILDET)	1	-	1	1
31	07125-00215	FEDER	1	-	07001-00442	● SCHRAUBE (NICHT ABGEBILDET)	1	-	1	1
32	07151-00403	ENDBACKEN	1 Paar	2	07530-00501	● STOPFEN (NICHT ABGEBILDET)	1	-	1	-
33	07003-00016	O-RING	1	-						

6.4 DEMONTAGEANWEISUNGEN

- Wenn Sie die Verstärkerbaugruppe demontieren, trennen Sie zuerst den Luftzufuhrschlauch vom Verstärkereinflussanschluss **22**.
- Lösen Sie mit einem Inbusschlüssel* die vier Schrauben **27** und entfernen Sie die Schutzplatte **24**.
- Trennen Sie den Auslöserschlauch **47** vom Verstärkerventil **43** oder **48**, indem Sie die Auslassspannzange herunterdrücken und den Schlauch herausziehen.
- Entfernen Sie die Abdeckplatte **4** und die Dichtung **35** durch Entfernen der Schrauben **37** und der Beilagscheiben **36** mit einem Inbusschlüssel*.
- Stellen Sie sicher, dass die Dichtung nicht beschädigt ist, um eine ordnungsgemäße Abdichtung der Baugruppe zu gewährleisten.
- Drehen Sie die Verstärkerbaugruppe um und lassen Sie das Öl aus dem Behälter in ein geeignetes Gefäß ab.
- Entfernen Sie den Schnellverschluss **32** zusammen mit dem Verbinder **31** und den Dichtungen **33** mit Hilfe eines geeigneten Schraubenschlüssels*.
- Entfernen Sie das Verstärkerventil **43** oder **48**, indem Sie die Befestigungsschrauben mit einem geeigneten Schraubenschlüssel entfernen. Dabei ist darauf zu achten, dass der O-Ring **21**, der sich im Gussgehäuse des Verstärkers befindet, erhalten bleibt.
- Entfernen Sie die Schraube **19** mit einem geeigneten Inbusschlüssel* und entfernen Sie Dämpferabdeckung **16**, Schaumstoffdämpfer **15**, Abstandhalter **18** und Halteplatte **20**.
- Ziehen Sie das 6-mm-Kunststoffrohr **41** von den Vakuumanschlüssen **42** ab.
- Stecken Sie einen 3-mm-Inbusschlüssel* durch die beiden Löcher an der Unterseite des Verstärkers und schrauben Sie die Vakuumanschlüsse **42** ab. Hinweis:
 - Es ist Vorsicht geboten, da die Vakuumanschlüsse mit Loctite® 574 gesichert und versiegelt sind.
 - Wenn sie schwer zu entfernen sind, können die Vakuumanschlüsse mit einem Bohrer mit $\frac{3}{16}$ " bzw. 4,7 mm Durchmesser aufgebohrt werden.
- Um die Vakuumanschlüsse **42** wieder anzubringen, müssen Sie wie folgt vorgehen: -
 - Tränken Sie die Vakuumanschlüsse mit einem geeigneten Primer, z. B. Perma Bond A905.
 - Geben Sie einen Tropfen Loctite® 574 in die Gewindebohrung des Verstärkers.
 - Stecken Sie den Inbusschlüssel* von der Unterseite des Verstärkers aus durch das Loch. Stellen Sie sicher, dass der Inbusschlüssel* frei von Loctite® 574 ist, bevor Sie ihn in den Vakuumanschluss einführen.
 - Drehen Sie den Inbusschlüssel, während Sie Loctite® 574 auf die Basis des Vakuumanschlusses auftragen.
 - Schrauben Sie den Vakuumanschluss in den Verstärker, wobei darauf zu achten ist, dass sich am Fuß des Anschlusses ausreichend Loctite® 574 befindet, damit das Gewinde nicht sichtbar ist.
- Entfernen Sie mit einem Schraubendreher vorsichtig den inneren Haltering **14**. Reinigen Sie die Nut und inspizieren Sie sie auf Beschädigungen.
- Setzen Sie mit Hilfe des Ausziehers* das Ende mit dem Außengewinde in die Endabdeckung **12** ein und ziehen Sie ihn zusammen mit der Verstärkerhülse **28** und den O-Ringe **10** und **13** heraus.
- Führen Sie die Stange* durch die Anschlussöffnung an der Vorderseite des Verstärkergehäuses und nehmen Sie die Kolbenstange **9** und die Kolbenbaugruppe heraus.
- Lösen Sie mit einem geeigneten Inbusschlüssel die beiden Schrauben **25** und entfernen Sie die Endabdeckung **12** von der Verstärkerhülse **28**.
- Entfernen Sie den Verschlussstopfen **7** mit Hilfe eines Schraubenschlüssels*.
- Die Stange* durch die Anschlussöffnung an der Vorderseite des Verstärkergehäuses einführen und das Dichtungsgehäuse **5** sowie die zugehörigen O-Ringe und Lippendichtungen herausdrücken.
- Nehmen Sie die Ventilgehäusebaugruppe **34** mit einem geeigneten Schraubenschlüssel* vom Hauptwerkzeugkörper ab. Reinigen Sie sie durch Durchblasen mit einem Niederdruck-Luftstrahl.

* Bezieht sich auf die im Wartungskit 0753 MkII enthaltenen Teile. Vollständige Liste siehe Seite 68.

Fettgedruckte Artikelnummern beziehen sich auf die gegenüberliegende Abbildung und Tabelle.

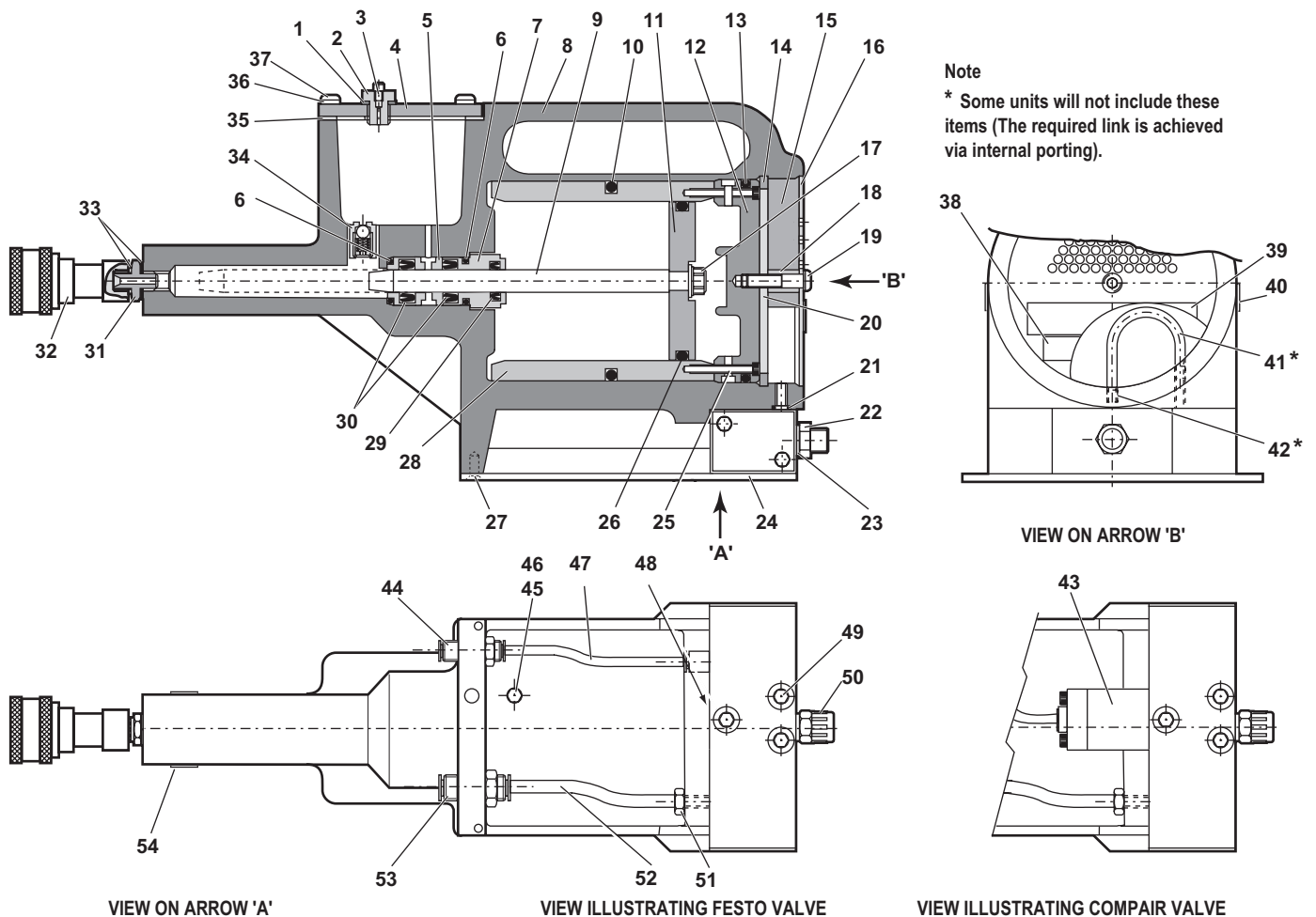
- Entfernen Sie die Kolbenstange **9** vom Luftkolben **11** des Verstärkers, indem Sie die ersten 20 mm (3/4") der Stange in einen Schraubstock mit weichen Backen einspannen und darauf achten, dass die Arbeitsfläche nicht beschädigt oder verkratzt wird.
- Schrauben Sie die Sicherungsmutter **17** mit einem geeigneten Schraubenschlüssel* ab.
- Der Zusammenbau erfolgt in umgekehrter Reihenfolge wie die Demontage, wobei Folgendes zu beachten ist:
- Reinigen Sie alle Teile und erneuern Sie alle O-Ringe.
- Schmieren Sie alle Dichtungen mit Moly-Lithium-Fett.
- Die Ventilgehäusebaugruppe **34** muss mit einem Gewindedichtmittel wieder montiert werden.
- Montieren Sie die Kolbenbaugruppe mit einer neuen Mutter **17**.
- Die Endabdeckung **12** muss korrekt in den Haltering **14** eingesetzt werden. Das Werkzeug darf nicht in Betrieb genommen werden, wenn die Endabdeckung nicht angebracht ist.

WICHTIG

Nach dem Zerlegen des Gerätes und vor Inbetriebnahme ist IMMER ein Auffüllen erforderlich.

6.5 UMWELTSCHUTZ

Geltende Vorschriften zur Abfallentsorgung beachten. Entsorgen Sie alle Abfallprodukte in einer zugelassenen Entsorgungseinrichtung, um Personen und Umwelt nicht zu gefährden.

6.6 VERSTÄRKER 07531-02200

* Bezieht sich auf die im Wartungskit 0753 MkII enthaltenen Teile. Vollständige Liste siehe Seite 68.

Fettgedruckte Artikelnummern beziehen sich auf die gegenüberliegende Abbildung und Tabelle.

07531-02200 TEILELISTE									
POSITION	ARTIKELNR.	BESCHREIBUNG	MENGE	ERSATZTEILE	POSITION	ARTIKELNR.	BESCHREIBUNG	MENGE	ERSATZTEILE
1	07003-00037	DICHTUNG	1	1	28	07531-00201	HÜLSE	1	-
2	07240-00211	FÜLLSCHRAUBE	1	-	29	07003-00337	LIPPENDICHTUNG	1	1
3	07001-00418	ENTLÜFTUNGSSCHRAUBE	1	1	30	07003-00336	LIPPENDICHTUNG	2	2
4	07240-00210	ABDECKPLATTE	1	-	31	07005-00406	VERBINDER	1	-
5	71420-02006	GEHÄUSEDICHTUNG	1	-	32	07005-00759	SCHNELLVERSCHLUSS	1	-
6	07003-00153	O-RING	2	-	33	07003-00142	DICHTUNG	2	1
7	71420-02007	VERSCHLUSSSTOPFEN	1	-	34	07240-00400	VENTILGEHÄUSEBAUGRUPPE	1	-
8	71420-02300	WERKZEUGKÖRPERBAUGRUPPE	1	-	35	07240-00209	DICHTUNG	1	1
9	71420-02008	KOLBENSTANGE	1	-	36	07002-00073	UNTERLEGSCHEIBE	4	1
10	07003-00182	O-RING	1	1	37	07001-00554	SCHRAUBE	4	1
11	07531-00202	LUFTKOLBEN	1	-	38	07007-01504	ETIKETT	1	-
12	07531-00204	ENDABDECKUNG	1	-	39	07240-00217	ETIKETT	1	-
13	07003-00183	O-RING	1	1	40	07531-00205	ETIKETT	2	-
14	07004-00069	HALTERING	1	1	41	07005-00596	* 6-MM-KUNSTSTOFFROHR	-	-
15	07240-00213	SCHAUMSTOFFDÄMPFER	1	1	42	07245-00103	* VAKUUMANSCHLUSS	2	-
16	07240-00214	DÄMPFERABDECKUNG	1	-	43	07005-00590	COMPAIR-VENTIL	1	1
17	07002-00017	MUTTER	1	1	44	07005-01431	SCHOTTANSCHLUSS	1	1
18	07240-00215	ABSTANDSHÜLSE	1	-	45	07005-00668	M5-STOPFEN	1	-
19	07001-00417	SCHRAUBE	1	1	46	07005-00670	M5-DICHTUNGSRING	1	-
20	07240-00216	HALTEPLATTE	1	-	47	07005-01084	4-MM-KUNSTSTOFFROHR (150mm)	-	-
21	*07003-00042	O-RING	1	1	48	07005-01524	FESTO-VENTIL	1	-
22	07005-00041	VERBINDER	1	-	49	07001-00176	SCHRAUBE	3	-
23	07003-00065	UNTERLEGSCHEIBE	1	-	50	07007-00292	1/4" BSP RED CAP	1	-
24	07240-00220	SCHUTZPLATTE	1	-	51	07005-00647	VERBINDER	1	-
25	07001-00375	SCHRAUBE	2	-	52	07005-01085	6-MM-KUNSTSTOFFROHR (150mm)	-	-
26	07003-00238	O-RING	1	1	53	07005-00855	SCHOTTVERSCHRAUBUNG	1	-
27	07001-00396	SCHRAUBE	4	-	54	73200-02022	SICHERHEITSETIKETT	1	-

7. AUFFÜLLEN

Nach dem Zerlegen des Gerätes und vor Inbetriebnahme ist **IMMER** ein Auffüllen erforderlich. Es kann auch notwendig werden, den vollen Hub nach längerem Gebrauch wiederherzustellen, wenn der Hub geringer geworden ist und Niete durch einmaliges Betätigen des Auslösers nicht vollständig gesetzt werden.

7.1 HINWEISE ZUM ÖL

Das empfohlene Öl für das Auffüllen ist Hyspin® VG 32 und AWS 32, dies steht in 0,5-Liter-Gebinden (Teilenr. 07992-00002) oder 4,5-Liter-Gebinden (Teilenr. 07992-00006) zur Verfügung. Bitte die unten stehenden Sicherheitsdaten beachten.

7.2 SICHERHEITSDATEN ZU DEN ÖLEN HYSPIN® VG 32 UND AWS 32

Erste Hilfe

HAUT:

So bald wie möglich gründlich mit Seife und Wasser waschen. Ein zufälliger Kontakt erfordert keine unmittelbare Maßnahme. Ein kurzzeitiger Kontakt erfordert keine unmittelbare Maßnahme.

VERSCHLUCKEN:

Sofort einen Arzt aufsuchen. KEIN Erbrechen herbeiführen.

AUGEN:

Sofort mehrere Minuten lang mit Wasser spülen. Obwohl es sich NICHT um ein primäres Reizmittel handelt, können nach Kontakt leichte Reizungen auftreten.

Brand

Geeignete Löschmittel: CO₂, Trockenpulver, Schaum oder Wasserdampf. KEINEN Wasserstrahl verwenden.

Umfeld

ABFALLENTSORGUNG: Durch einen zugelassenen Auftragnehmer an einem lizenzierten Standort. Darf verbrannt werden. Gebrauchte Produkte können zur Wiederverwertung eingesandt werden.

VERSCHÜTTEN: Verhindern Sie das Eindringen in Abflüsse, Kanalisationen und Wasserläufe. Mit saugfähigem Material aufsaugen.

Handhabung

Augenschutz, undurchlässige Handschuhe (z. B. aus PVC) und eine Kunststoffschürze tragen. In gut belüftetem Bereich verwenden.

Lagerung

Keine besonderen Vorkehrungen.

7.3 AUFFÜLLEN

WICHTIG

AUSLÖSER NICHT BETÄTIGEN, WENN DIE ENTLÜFTUNGSSCHRAUBE ENTFERNT WURDE

Sämtliche Arbeitsvorgänge sollten auf einer sauberen Werkbank, mit sauberen Händen und in einem sauberen Bereich durchgeführt werden.

Sicherstellen, dass das neue Öl absolut sauber und frei von Luftblasen ist.

Es MUSS stets darauf geachtet werden, dass keine Fremdstoffe in das Gerät eindringen, da es sonst zu schweren Schäden kommen kann.

- Entfernen Sie die Schraube **2** und die Dichtung **1** von der Kunststoffabdeckplatte **4** des Verstärkerbehälters.
- Gießen Sie Ansaugöl in den Behälter, bis zum oberen Rand noch etwa 1/2" (12mm) Platz ist.
- Bringen Sie die Schraube **2** und die Dichtung **1** wieder an.
- Schließen Sie die Verstärkereinheit an die Luftzufuhr an. Entfernen Sie die Schraube vom Behälter.
- Während die Pistoleneinheit 07536 an der Verstärkereinheit angebracht ist und unter dem Niveau der Verstärkereinheit gehalten wird, schrauben Sie die Entlüftungsschraube **64** zwei Umdrehungen von der Entlüftungsschraubenbaugruppe **43** am Werkzeug 07536 ab und lassen das Öl aus dem Werkzeug fließen.
- Wenn das Öl frei und ohne Luftblasen fließt, ziehen Sie die Entlüftungsschraube fest.
- Füllen Sie den Behälter der Verstärkereinheit mit Ansaugöl auf.
- Lassen Sie das Werkzeug so lange laufen, bis alle im Öl befindlichen Luftblasen in den Ölbehälter ausgestoßen wurden.

Die **fettgedruckten** Positionsnummern beziehen sich auf die Allgemeinen Montagen und die Teilelisten auf den Seiten 73-76.

8. FEHLERSUCHE

SYMPTOM	MÖGLICHE URSACHE	ABHILFE	SIEHE SEITE
Das Werkzeug setzt das Befestigungsmittel nicht	Ungenügender Luftdruck.	Luftdruck erhöhen	
	Fehlende Schmierung.	Werkzeug am Lufteinlasspunkt schmieren	
	Hohe Räumnadelbelastung.	Griffigkeit des Befestigungsmittels und die Größe des Anwendungslochs prüfen	
	Auf richtige Größe des Dorns prüfen.		
	Endbacken ausgeschaltet.	Endbacken einschalten	
	Luft im Hydrauliksystem.	Siehe ‚Auffüllen‘	78
„Dornschlupf“ - die Backen greifen den Dorn nicht	Abgenutzte oder verschmutzte Endbacken.	Bei Bedarf reinigen oder erneuern	
	’ Zu wenig Luftdruck/-volumen.	Luftdruck/-volumen erhöhen	
	’ Endbackenschalter nicht funktionsfähig.	Schalter austauschen	
	’ Luft entweicht zu den Endbacken.	O-Ringe am Kolben 11 erneuern	
	Dorn gebrochen und erreicht die Endbacken nicht.	Dorn austauschen	
	Störung im Pneumatikschaltkasten.	Personal von Stanley Engineered Fastening kontaktieren	
Backen lassen Dorn nicht los	Verschmutzte Endbacken oder Spannbackenhülse.	Reinigen und schmieren	
	Defekter Endbackenschalter.	O-Ringe austauschen	
	Signal für Lufteinschluss	Pneumatikleitungen prüfen	
	Störung im Pneumatikschaltkasten	Personal von Stanley Engineered Fastening kontaktieren	
Befestigungsmittel werden nicht durch die Mundstückbacken geführt	Endbacken nicht eingeschaltet.	Endbacken einschalten	
	Abgenutzte Endbacken.	Endbacken erneuern	
	Falsche Ausrichtung des Schiebers.	In korrekter Ausrichtung wieder anbringen	
	Falscher Schieber	Richtigen Schieber anbringen	
	Falsche Mundstückbacken.	Korrekte Mundstückbacken anbringen	
	Dornfolgefeder nicht montiert.	Richtige Dornfolgefeder montieren	
	Länge des Dornfolgers	Richtigen Dornfolger montieren	
	Falscher Spalt zwischen Befestigungsmittelkopf und Mundstückbacken beim Laden.	Spalt auf 1,5mm - 3mm (1/16" - 1/8") einstellen Siehe ‚Laden des Werkzeugs‘	65-66
	Schieber steckt fest.	Schieber reinigen und ölen	
	Verschlissener Luftschieber	Schieber erneuern	
	Falsche Dornfolgefeder eingebaut.	Richtige Dornfolgefeder montieren	
Verschlissene oder gebrochene Laufrückstellfeder	Laufrückstellfeder austauschen		
Übermäßiger Verschleiß der Endbacke	Hohe Räumnadelbelastung.	Größe und Dicke der Anwendungsbohrungen und die Griffigkeit des Befestigungsmittels prüfen	
Mehrere Befestigungsmittel werden gleichzeitig zugeführt	Dornschlupf.	Prüfung wie unter ‚Dornschlupf‘ unten, Schritt 2	
	Falscher Spalt zwischen Befestigungsmittelkopf und Mundstückbacken beim Laden	Spalt auf 1,5mm - 3mm (1/16" - 1/8") einstellen Siehe ‚Laden des Werkzeugs‘ auf Seite	65-66

Andere Symptome oder Störungen sind Ihrem zuständigen Stanley Engineered Fastening-Händler oder Reparaturcenter mitzuteilen.

ANMERKUNGEN

9. EC-KONFORMITÄTSERKLÄRUNG

Wir, **Stanley Engineered Fastening, Stanley House, Works Road, Letchworth Garden City, Hertfordshire, SG6 1JY GROSSBRITANNIEN**, erklären in alleiniger Verantwortung, dass das Produkt:

Beschreibung: **Hydropneumatisches Wiederholungswerkzeug für Schnellnieten**

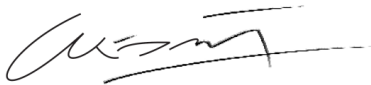
Modell: **07536**

auf das sich diese Erklärung bezieht, mit den folgenden harmonisierten Normen übereinstimmt:

ISO 12100:2010	EN ISO 3744:2010
EN ISO 11202:2010	EN ISO 11148-1:2011
EN ISO 4413:2010	BS EN 28662-1:1993
EN ISO 4414:2010	EN ISO 20643:2008+A1:2012
EN ISO 28927-5:2009+A1:2015	ES100118-Rev 17:2017

Die technische Dokumentation wird in Übereinstimmung mit Anhang VII zusammengestellt, und zwar in Übereinstimmung mit der folgenden Richtlinie: **2006/42/EG Maschinenrichtlinie** (siehe Verordnungen 2008 Nr. 1597 - Bereitstellung von Richtlinien zur Maschinensicherheit).

Der Unterzeichner gibt diese Erklärung ab im Namen von STANLEY Engineered Fastening



A. K. Seewraj

Director of Engineering, UK

Avdel UK Limited, Stanley House, Works Road, Letchworth Garden City, Hertfordshire, SG6 1JY, GROSSBRITANNIEN

Ort der Ausstellung: **Letchworth Garden City, UK**

Datum der Ausstellung: **01-01-2021**

Der Unterzeichnete ist verantwortlich für die Zusammenstellung des technischen Dossiers für Produkte, die in der Europäischen Union verkauft werden, und gibt diese Erklärung im Namen von Stanley Engineered Fastening ab.

Matthias Appel

Teamleiter Technische Dokumentation

Stanley Engineered Fastening, Tucker GmbH, Max-Eyth-Str.1, 35394 Gießen, Deutschland



Diese Maschine ist konform mit
Maschinenrichtlinie 2006/42/EG

STANLEY
Engineered Fastening

10. GB-KONFORMITÄTSERKLÄRUNG

Wir, **Stanley Engineered Fastening, Stanley House, Works Road, Letchworth Garden City, Hertfordshire, SG6 1JY GROSSBRITANNIEN**, erklären in alleiniger Verantwortung, dass das Produkt:

Beschreibung: **Hydropneumatisches Wiederholungswerkzeug für Schnellnieten**

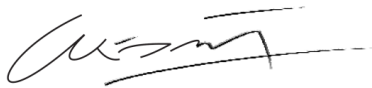
Modell: **07536**

auf das sich diese Erklärung bezieht, mit den folgenden festgelegten Normen übereinstimmt:

ISO 12100:2010	EN ISO 3744:2010
EN ISO 11202:2010	EN ISO 11148-1:2011
EN ISO 4413:2010	BS EN 28662-1:1993
EN ISO 4414:2010	EN ISO 20643:2008+A1:2012
EN ISO 28927-5:2009+A1:2015	ES100118-Rev 17:2017

Die technische Dokumentation wurde in Übereinstimmung mit der Supply of Machinery (Safety) Regulations 2008, S.I. 2008/1597 (in der jeweils gültigen Fassung) erstellt.

Der Unterzeichner gibt diese Erklärung ab im Namen von STANLEY Engineered Fastening



A. K. Seewraj

Director of Engineering, UK

Avdel UK Limited, Stanley House, Works Road, Letchworth Garden City, Hertfordshire, SG6 1JY, GROSSBRITANNIEN

Ort der Ausstellung: **Letchworth Garden City, UK**

Datum der Ausstellung: **01-01-2021**



Diese Maschine ist konform mit
Supply of Machinery (Safety) Regulations 2008,
S.I. 2008/1597 (in der geänderten Fassung)

STANLEY
Engineered Fastening

11. SCHÜTZEN SIE IHRE INVESTITION!

Stanley® Engineered Fastening BLINDNIETWERKZEUG – GARANTIE

STANLEY® Engineered Fastening garantiert, dass alle Blindnietmutterwerkzeuge sorgfältig hergestellt wurden und dass sie bei normalem Gebrauch und Service für einen Zeitraum von einem (1) Jahr frei von Mängeln in Material und Verarbeitung sind.

Diese Garantie gilt nur für den ursprünglichen Käufer des Werkzeugs und für die ursprüngliche Nutzung.

Ausschlüsse:

Normaler Verschleiß.

Regelmäßige Wartung, Reparatur und Ersatzteilbedarf aufgrund normaler Abnutzung sind von der Garantie ausgeschlossen.

Missbrauch & Fehlbedienung.

Defekte oder Schäden, die durch unsachgemäßen Betrieb, Lagerung, Missbrauch oder Fehlbedienung, Unfall oder Nachlässigkeit entstehen, sowie physische Schäden sind von der Garantie ausgeschlossen.

Unbefugte Wartung oder Änderung.

Defekte oder Schäden, die auf irgendeine Weise durch Kundendienst, Prüfung, Einstellung, Installation, Wartung, Änderung oder Modifikation entstehen, die von anderen Stellen als von STANLEY® Engineered Fastening oder einer autorisierten Kundendienststelle vorgenommen wurden, sind von der Garantie ausgeschlossen.

Alle anderen Garantien, ob ausdrücklich oder impliziert, einschließlich Garantien der Marktgängigkeit oder Eignung für einen bestimmten Zweck, sind ausgeschlossen.

Sollte dieses Werkzeug die Garantiebedingungen erfüllen, bringen Sie es unverzüglich zu einer autorisierten Kundendienststelle an einem Standort in Ihrer Nähe. Für eine Liste der autorisierten STANLEY® Engineered Fastening-Kundendienststellen in den USA oder Kanada rufen Sie uns gebührenfrei an unter: (877)364 2781.

Von außerhalb der USA und Kanada besuchen Sie unsere Website **www.StanleyEngineeredFastening.com**, wo Sie eine Filiale von STANLEY Engineered Fastening in Ihrer Nähe finden.

STANLEY Engineered Fastening wird dann kostenlos alle Teile austauschen, die von uns aufgrund von fehlerhaftem Material oder Verarbeitung als defekt festgestellt wurden und das Werkzeug mit bezahlten Versandkosten zurücksenden. Das ist unsere einzige Verpflichtung unter dieser Garantie.

In keinem Fall ist STANLEY® Engineered Fastening haftbar für irgendwelche Folge- oder speziellen Schäden, die aus dem Kauf oder der Verwendung dieses Werkzeugs entstehen.

Registrieren Sie Ihr Blindnietwerkzeug online.

Um Ihre Garantie online zu registrieren, besuchen Sie uns hier:

<https://www.stanleyengineeredfastening.com/support/warranty-registration-form>

Vielen Dank, dass Sie sich für ein Werkzeug von STANLEY® Engineered Fastening s Marke Stanley Assembly Technologies entschieden haben.

©2021 Stanley Black & Decker, Inc.
Tutti i diritti riservati.

Le informazioni riportate in questo manuale non possono essere riprodotte e/o rese pubbliche in alcun modo e con alcun mezzo (elettronico o meccanico) senza la preventiva ed esplicita autorizzazione scritta di STANLEY Engineered Fastening. Le informazioni fornite si basano su dati noti al momento dell'uscita sul mercato del prodotto. STANLEY Engineered Fastening persegue una politica di continuo miglioramento dei propri prodotti, pertanto essi potrebbero essere soggetti a modifiche. Le informazioni qui riportate sono applicabili al prodotto così come è stato fornito da STANLEY Engineered Fastening, pertanto STANLEY Engineered Fastening non può essere ritenuta responsabile a fronte di eventuali danni derivanti da possibili deviazioni dalle specifiche originali del prodotto.

Le informazioni disponibili sono state redatte con la massima cura, tuttavia STANLEY Engineered Fastening declina ogni responsabilità per quanto riguarda eventuali errori presenti nelle informazioni e le relative conseguenze. STANLEY Engineered Fastening non accetta alcuna responsabilità per danni derivanti da attività svolte da terzi. L'utilizzo di nomi operativi, nomi commerciali, marchi registrati, ecc. da parte di STANLEY Engineered Fastening non dovrà essere considerato libero, ai sensi della legislazione in materia di protezione dei marchi.

1. DEFINIZIONI DI SICUREZZA	86
1.1 NORME DI SICUREZZA GENERALI.....	86
1.2 PERICOLI ASSOCIATI ALL'ESPULSIONE DI PARTI E FRAMMENTI.....	86
1.3 PERICOLI OPERATIVI	87
1.4 PERICOLI ASSOCIATI AI MOVIMENTI RIPETITIVI	87
1.5 PERICOLI RIGUARDANTI GLI ACCESSORI.....	87
1.6 PERICOLI RIGUARDANTI IL LUOGO DI LAVORO	87
1.7 PERICOLI ASSOCIATI AL RUMORE.....	87
1.8 PERICOLI ASSOCIATI ALLA VIBRAZIONE.....	88
1.9 ISTRUZIONI DI SICUREZZA AGGIUNTIVE PER UTENSILI PNEUMATICI E IDRAULICI	88
2. SPECIFICHE.....	89
2.1 SPECIFICHE TECNICHE DELL'UTENSILE 07536.....	89
2.2 SPECIFICHE TECNICHE DELL'INTENSIFICATORE 07531.....	89
3. USO PREVISTO	90
3.1 DIMENSIONI DELL'UTENSILE MODELLO 07536	90
4. MESSA IN SERVIZIO	91
4.1 ALIMENTAZIONE DELL'ARIA.....	91
4.2 CURSORI PNEUMATICI	92
4.3 CARICAMENTO E SCARICAMENTO DELL'UTENSILE.....	92
4.4 PROCEDURA OPERATIVA	94
5. MANUTENZIONE DELL'UTENSILE.....	95
5.1 SCATOLA DI COMANDO PNEUMATICA.....	95
5.2 MANUTENZIONE QUOTIDIANA.....	95
5.3 MANUTENZIONE SETTIMANALE.....	95
5.4 DATI DI SICUREZZA RELATIVI AL GRASSO AL LITIO-MOLIBDENO EP 3753	95
5.5 KIT DI MANUTENZIONE.....	96
5.6 GRUPPO UTENSILE CON CURSORE PNEUMATICO, INTENSIFICATORE E SCATOLA DI COMANDO 07536-02100	97
6. MANUTENZIONE	98
6.1 SMONTAGGIO DEL MODELLO 07536-02200	98
6.2 DISEGNO ESPLOSO DELL'UTENSILE DI BASE 07536-02200	101
6.3 ELENCO DEI COMPONENTI DELL'UTENSILE DI BASE 07536-02200	102
6.4 ISTRUZIONI PER LO SMONTAGGIO.....	103
6.5 PROTEZIONE DELL'AMBIENTE	104
6.6 INTENSIFICATORE 07531-02200.....	104
7. ADESCAMENTO.....	106
7.1 DATI RELATIVI ALL'OLIO.....	106
7.2 DATI DI SICUREZZA RELATIVI ALL'OLIO HYSPIN® VG 32 E AWS 32	106
7.3 PROCEDURA DI RABBOCCO DELL'OLIO.....	106
8. RISOLUZIONE DEI PROBLEMI	107
9. DICHIARAZIONE DI CONFORMITÀ CE.....	109
10. DICHIARAZIONE DI CONFORMITÀ PER IL REGNO UNITO.....	110
11. PROTEGGETE IL VOSTRO INVESTIMENTO!.....	111



Questo manuale di istruzioni deve essere letto dalla persona che installa o utilizza il prodotto, prestando particolare attenzione alle norme di sicurezza riportate di seguito.



Durante l'impiego dell'utensile indossare sempre un dispositivo di protezione per gli occhi resistente agli urti. Il grado di protezione richiesto deve essere valutato per ciascuna applicazione.



Utilizzare protezioni acustiche conformi alle istruzioni del datore di lavoro e a quanto previsto dalle normative sulla salute e la sicurezza sul lavoro.



L'uso del prodotto può esporre le mani dell'operatore a pericoli, quali schiacciamento, urti, tagli, abrasioni e calore. Indossare guanti adatti per proteggere le mani.

1. DEFINIZIONI DI SICUREZZA

Le definizioni riportate di seguito descrivono il livello di allerta rappresentato da ogni parola di segnalazione. Leggere attentamente il manuale, prestando attenzione a questi simboli.

⚠ PERICOLO: indica una situazione di pericolo imminente che, se non evitata, provoca lesioni personali gravi o addirittura letali.

⚠ AVVERTENZA: indica una situazione potenzialmente pericolosa che, se non evitata, può causare lesioni personali gravi o addirittura letali.

⚠ ATTENZIONE: indica una situazione potenzialmente pericolosa che, se non evitata, potrebbe provocare lesioni personali di entità lieve o media.

⚠ ATTENZIONE: usato senza il simbolo di avviso per la sicurezza, questo simbolo indica una situazione di potenziale pericolo che, se non evitata, potrebbe causare danni materiali.

L'uso o la manutenzione impropri di questo utensile potrebbero causare gravi danni a persone e cose. Leggere e comprendere tutte le avvertenze e le istruzioni operative prima di utilizzare questo utensile. Durante l'uso degli elettro utensili è sempre necessario seguire le precauzioni di sicurezza di base per ridurre il rischio di lesioni alle persone.

CONSERVARE TUTTE LE AVVERTENZE E LE ISTRUZIONI PER RIFERIMENTI FUTURI

1.1 NORME DI SICUREZZA GENERALI

- Per pericoli multipli, leggere e comprendere le istruzioni di sicurezza prima di installare, utilizzare, riparare, mantenere, sostituire gli accessori o lavorare vicino al prodotto. In caso contrario è possibile incorrere in gravi lesioni personali.
- Questo utensile deve essere installato, regolato o utilizzato esclusivamente da operatori qualificati e addestrati.
- NON utilizzare l'utensile per scopi diversi dall'uso previsto di piazzamento di rivetti a strappo STANLEY Engineered Fastening.
- Utilizzare solo componenti, elementi di fissaggio e accessori raccomandati dal produttore.
- NON modificare l'utensile. Le eventuali modifiche possono ridurre l'efficacia delle misure di sicurezza e aumentare i rischi per l'operatore. Qualsiasi modifica apportata all'utensile da parte del cliente sarà sotto la sua totale responsabilità e comporterà l'inefficacia delle garanzie applicabili.
- Non gettare le istruzioni di sicurezza; darle all'operatore.
- Non utilizzare l'utensile se è danneggiato.
- Prima dell'uso, verificare che le parti mobili non siano allineate male o inceppate, che non vi siano componenti rotti e che non sussista alcun'altra condizione che possa influire negativamente sul funzionamento dell'utensile. Se l'utensile è danneggiato, farlo riparare prima dell'uso. Rimuovere qualsiasi chiave di regolazione o chiave inglese prima dell'uso.
- Ispezionare periodicamente l'utensile per verificare che i valori nominali e i contrassegni richiesti da questa parte della norma ISO 11148 siano marcati in modo leggibile sullo stesso. Laddove necessario, il datore di lavoro/l'operatore dovrà contattare il produttore per ottenere le etichette con le marcature sostitutive.
- L'utensile deve essere sempre mantenuto in condizioni operative sicure e ispezionato a intervalli regolari da parte di personale qualificato, per escludere l'eventuale presenza di danni e verificare il suo corretto funzionamento. Qualsiasi procedura di smontaggio deve essere effettuata esclusivamente da personale qualificato. Non smontare il prodotto senza prima avere consultato le istruzioni di manutenzione.

1.2 PERICOLI ASSOCIATI ALL'ESPULSIONE DI PARTI E FRAMMENTI

- Scollegare l'utensile dall'alimentazione dell'aria prima di eseguire qualsiasi operazione di manutenzione o regolazione dello stesso e prima di inserire o rimuovere una testata o degli accessori.
- Essere consapevoli del fatto che il guasto del pezzo in lavorazione o degli accessori, o persino dello stesso dispositivo inserito può generare l'espulsione di parti e frammenti ad alta velocità.
- Durante l'impiego del prodotto indossare sempre un dispositivo di protezione per gli occhi resistente agli urti. Il grado di protezione richiesto deve essere valutato per ciascuna applicazione.
- Nello stesso tempo dovrebbero essere valutati anche i rischi per le altre persone.

- Assicurarsi che il pezzo in lavorazione sia fissato saldamente.
- Verificare che i sistemi di protezione contro l'espulsione dell'elemento di fissaggio e/o del mandrino siano installati e funzionanti.
- Avvisare della possibile espulsione violenta dei mandrini dalla parte anteriore dell'elettrotensile.
- NON azionare l'utensile dirigendolo verso un'altra persona o altre persone.

1.3 PERICOLI OPERATIVI

- L'uso della rivettatrice può esporre le mani dell'operatore a rischi, quali schiacciamenti, urti, tagli, abrasioni e calore. Indossare guanti adatti per proteggere le mani.
- Gli operatori e il personale addetto alla manutenzione devono essere fisicamente in grado di gestire l'ingombro, il peso e la potenza dell'utensile.
- Sostenere correttamente l'utensile; essere preparati a contrastare movimenti normali o improvvisi e avere entrambe le mani a disposizione.
- Mantenere l'impugnatura dell'utensile asciutta, pulita e libera da olio e grasso.
- Mantenere una postura equilibrata e un appoggio dei piedi sicuro.
- In caso di interruzione dell'alimentazione idraulica rilasciare il dispositivo di avvio e arresto.
- Utilizzare esclusivamente i lubrificanti raccomandati dal produttore.
- Evitare il contatto con il fluido idraulico. Per ridurre al minimo il rischio della comparsa di eruzioni cutanee, lavarsi con cura in caso di contatto.
- Le Schede di sicurezza dei materiali relative a tutti gli oli idraulici e i lubrificanti sono disponibili su richiesta presso il proprio fornitore della rivettatrice.
- Evitare posture inadatte poiché è probabile che tali posizioni non consentano di contrastare il movimento normale o imprevisto della rivettatrice.
- Se la rivettatrice è fissata a un dispositivo di sospensione, assicurarsi che il fissaggio sia sicuro.
- Se la testata non è montata, prestare attenzione al rischio di stritolamento o schiacciamento.
- NON usare l'utensile con il canotto porta-naselli rimosso.
- Prima di iniziare a lavorare con l'utensile è necessario prevedere uno spazio adeguato per le mani dell'operatore.
- Durante il trasporto dell'utensile, tenere le mani lontano dal grilletto di azionamento per evitare l'avvio accidentale.
- NON usare l'utensile in modo improprio, lasciandolo cadere o utilizzandolo come martello.
- Prestare attenzione per assicurarsi che i gambi dei rivetti installati non creino un rischio.

1.4 PERICOLI ASSOCIATI AI MOVIMENTI RIPETITIVI

- Quando si utilizza l'utensile l'operatore può avvertire fastidio a mani, braccia, spalle, collo o altre parti del corpo.
- Durante l'impiego dell'utensile, l'operatore deve adottare una postura confortevole mantenendo un appoggio dei piedi sicuro ed evitando posture scomode o sbilanciate. Cambiare postura durante le attività prolungate può contribuire a evitare disagio e affaticamento.
- Se l'operatore dovesse manifestare sintomi quali fastidio persistente o ricorrente, dolore pulsante, dolore, formicolio, intorpidimento, sensazione di bruciore o rigidità, è importante che non ignori questi segnali di avviso. Egli dovrà rivolgersi immediatamente al proprio datore di lavoro e consultare un operatore sanitario qualificato.

1.5 PERICOLI RIGUARDANTI GLI ACCESSORI

- Scollegare l'utensile dall'alimentazione dell'aria compressa ed elettrica prima di montare o rimuovere la testata o un accessorio.
- Utilizzare solo dimensioni e tipi di accessori e materiali di consumo raccomandati dal produttore della rivettatrice; non usare accessori o materiali di consumo di tipi o dimensioni diversi.

1.6 PERICOLI RIGUARDANTI IL LUOGO DI LAVORO

- Scivolamenti, inciampi e cadute sono le principali cause di infortuni sul lavoro. Prestare attenzione alle superfici rese scivolose dall'uso dell'utensile e anche ai pericoli di inciampo causati dalle tubature dell'aria compressa o dal tubo idraulico.
- Procedere con attenzione negli ambienti non familiari. Potrebbero essere presenti pericoli nascosti, come cavi elettrici o altre linee di utenza.
- L'utensile non è destinato all'uso in ambienti in cui sussista il pericolo potenziale di esplosioni e non è isolato in caso di contatto con parti sotto tensione.
- Accertarsi che non vi siano cavi elettrici, tubi del gas, ecc. che possano essere pericolosi se danneggiati durante l'uso dell'utensile.
- Indossare indumenti adeguati. Non indossare abiti lenti o gioielli. Tenere capelli, indumenti e guanti lontano dalle parti in movimento. Abiti non aderenti, gioielli o capelli lunghi possono impigliarsi nelle parti in movimento.
- Prestare attenzione per assicurarsi che i gambi dei rivetti installati non creino un rischio.

1.7 PERICOLI ASSOCIATI AL RUMORE

- L'esposizione non protetta a livelli elevati di rumore può causare un'invalidità permanente, la perdita dell'udito e altri problemi, come l'acufene (un disturbo uditivo costituito da fischi, brusii o ronzii nelle orecchie). La valutazione dei rischi e l'implementazione di controlli appropriati per gli stessi sono essenziali.

- Tra i controlli opportuni per ridurre il rischio possono essere incluse azioni quali l'impiego di materiali che assorbono il rumore per evitare che i pezzi in lavorazione "rimbombino".
- Utilizzare un dispositivo di protezione uditiva in conformità con le istruzioni del datore di lavoro e secondo quanto previsto dalle normative sulla salute e sicurezza sul lavoro.
- Utilizzare e mantenere l'utensile come raccomandato nel manuale di istruzioni, per evitare un inutile aumento del livello di rumore.

1.8 PERICOLI ASSOCIATI ALLA VIBRAZIONE

- L'esposizione alla vibrazione può causare danni invalidanti ai nervi e all'afflusso sanguigno a mani e braccia.
- Indossare indumenti caldi quando si lavora in ambienti a basse temperature e tenere le mani calde e asciutte.
- Se si dovessero avvertire intorpidimento, formicolio, dolore o sbiancamento della pelle delle dita o delle mani, interrompere l'uso della rivettatrice, informare il proprio datore di lavoro e rivolgersi a un medico.
- Laddove possibile sostenere il peso della rivettatrice avvalendosi di un supporto, un tenditore o un bilanciatore, che consentono di usare una presa più leggera per supportarla.

1.9 ISTRUZIONI DI SICUREZZA AGGIUNTIVE PER ELETTROUTENSILI PNEUMATICI E IDRAULICI

- L'aria di alimentazione di esercizio non deve essere superiore a 7 bar (100 PSI).
- L'olio in pressione può causare gravi lesioni personali.
- Non lasciare mai incustodito l'attrezzo in funzione. Scollegare il tubo flessibile dell'aria quando l'utensile non è in uso e prima di cambiare gli accessori o di effettuare riparazioni.
- NON lasciare che l'apertura di scarico dell'aria sul raccogliambraccio sia rivolta verso l'operatore o altre persone. Non dirigere mai l'aria verso se stessi o altre persone.
- Se i tubi flessibili vengono sbattuti possono causare gravi lesioni personali. Verificare sempre se sono presenti tubi flessibili e raccordi danneggiati o allentati.
- Prima dell'uso, controllare che le linee aeree non presentino danni: tutti i collegamenti devono essere sicuri e protetti. Non far cadere oggetti pesanti sui tubi flessibili. Un forte impatto potrebbe causare danni interni e provocare una rottura precoce del tubo.]
- Dirigere l'aria fredda lontano dalle mani.
- Ogni volta che si utilizzano giunti a camma (con innesti a denti), devono essere installati i perni di bloccaggio e devono essere utilizzati cavi di sicurezza a soffietto per proteggersi da possibili guasti del collegamento tubo-utensile o tubo-tubo.
- NON sollevare l'utensile afferrandolo dal tubo flessibile, ma utilizzare sempre l'impugnatura.
- I fori di ventilazione non devono essere ostruiti o coperti.
- Evitare l'ingresso di sporcizia e corpi estranei dall'impianto idraulico dell'utensile per evitare malfunzionamenti dello stesso.
- L'olio in pressione può causare gravi lesioni personali.
- Prima dell'uso ispezionare i tubi flessibili idraulici per accertarsi che non siano danneggiati. Tutti i raccordi idraulici devono essere puliti, completamente inseriti e stretti prima dell'uso. Non far cadere oggetti pesanti sui tubi flessibili. Un forte impatto potrebbe causare danni interni e provocare una rottura precoce del tubo.
- NON spostare o tirare l'intensificatore afferrando i tubi. Utilizzare sempre l'impugnatura dell'unità.
- Utilizzare solo olio e attrezzatura di riempimento dell'olio puliti.
- È possibile usare solo i fluidi idraulici raccomandati.
- La temperatura massima del fluido idraulico in entrata è di 100°C (212°F).

⚠ AVVERTENZA: in condizioni di utilizzo corretto e normale, i mandrini si segnano e vengono sottoposti a un livello accettabile di usura: occorre comunque ispezionarli regolarmente per verificare che l'usura e i segni non siano eccessivi, in particolar modo lungo il diametro della testa e la porzione delle ganasce posteriori che afferra il gambo del rivetto; controllare inoltre che il gambo non venga eccessivamente forato e che il tirante non sia distorto. Se il mandrino non è in buone condizioni, potrebbe essere espulso dall'utensile. L'operatore ha la responsabilità di accertarsi che i mandrini vengano sostituiti prima che si usurino eccessivamente e, in ogni caso, prima di raggiungere il numero di installazioni massimo raccomandato. Per conoscere tale numero limite, rivolgersi al proprio rappresentante STANLEY Engineered Fastening di fiducia che misurerà il carico di ribaditura dell'applicazione specifica con un attrezzo di misura calibrato.

Nell'ambito della propria politica di sviluppo e miglioramento continui dei prodotti, STANLEY Engineered Fastening si riserva il diritto di apportare modifiche alle specifiche di qualsiasi prodotto senza alcun preavviso.

2. SPECIFICHE

2.1 SPECIFICHE TECNICHE DELL'UTENSILE 07536

Pressione dell'aria	Min - Max	5-7 bar (70-100 lbf/in ²)
Volume di aria libera richiesto	A 5,1 bar /75 lbf/in ²	2,6 litri (0,09 ft ³)
Corsa	Min	25 mm (1 in)
Forza di trazione	A 5,5 bar /80 lbf/in ²	3,89 kN (875 lbf)
Tempo di ciclo	Circa	1 secondo
Peso	A pistola	1,2 kg (2,64 lb)

2.2 SPECIFICHE TECNICHE DELL'INTENSIFICATORE 07531

Pressione dell'aria	Min - Max	5 bar - 7 bar (70 - 100 lbf/in ²)
Rapporto di intensificazione		32:1

Valori di rumorosità stabiliti in base al codice del test di rumorosità utilizzando gli standard ISO 15744 e ISO 3744.		07536
Livello di potenza sonora ponderato "A" dB (A), L _{WA}	Incertezza rumore: k _{WA} = 2.3 dB(A)	79.5 dB(A)
Livello di pressione sonora ponderato "A" dell'emissione presso la postazione di lavoro dB(A), L _{pA}	Incertezza rumore: k _{pA} = 2.3 dB(A)	68.5 dB(A)
Livello di pressione sonora di picco ponderato "C" dell'emissione dB (C), L _{pC} picco	Incertezza rumore: k _{pC} = 2.5 dB(C)	96.9 dB(C)
Valori di vibrazione stabiliti in base alle norme ISO 20643 e ISO 5349 sull'emissione di vibrazioni.		07536
Livello di emissione di vibrazione, a _{hd} :	Incertezza vibrazione: k = 0.25 m/s ²	0.97 m/s ²
Valori di emissione di vibrazione dichiarati ai sensi della norma EN 12096		

3. USO PREVISTO

L'utensile pneumatico 07536 è un utensile manuale a peso leggero progettato per inserire rivetti Avlug® di 1/16", il che lo rende ideale per l'uso nelle linee di assemblaggio in linea di flusso a lotti, in un'ampia gamma di applicazioni in tutti i settori.

L'utensile manuale e l'intensificatore sono stati testati separatamente e in combinata. Devono essere utilizzati soltanto insieme e per nessun altro scopo. Consultare "Messa in servizio" a pagina 91-94 per i dettagli di collegamento.

I codici delle parti sono mostrati per ordinare un utensile completo ma nessuna testata.

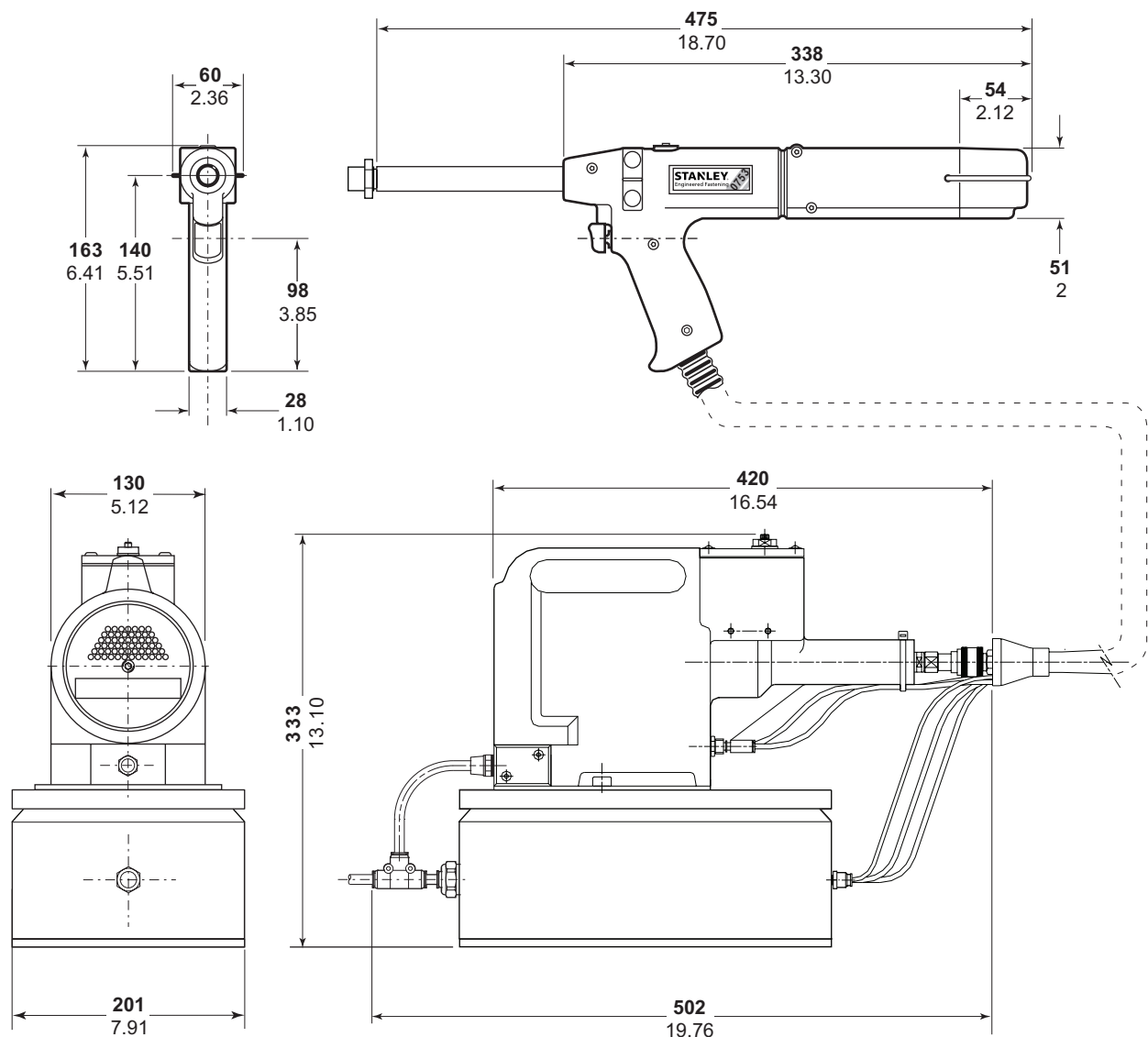
Il codice articolo per il modello 07536 è 07536-02200.

Vedere i disegni esplosi alle pagine 97-105.

NON utilizzare l'utensile in ambienti umidi o in presenza di liquidi infiammabili o gas.

3.1 DIMENSIONI DELL'UTENSILE MODELLO 07536

Codice articolo 07536-02100



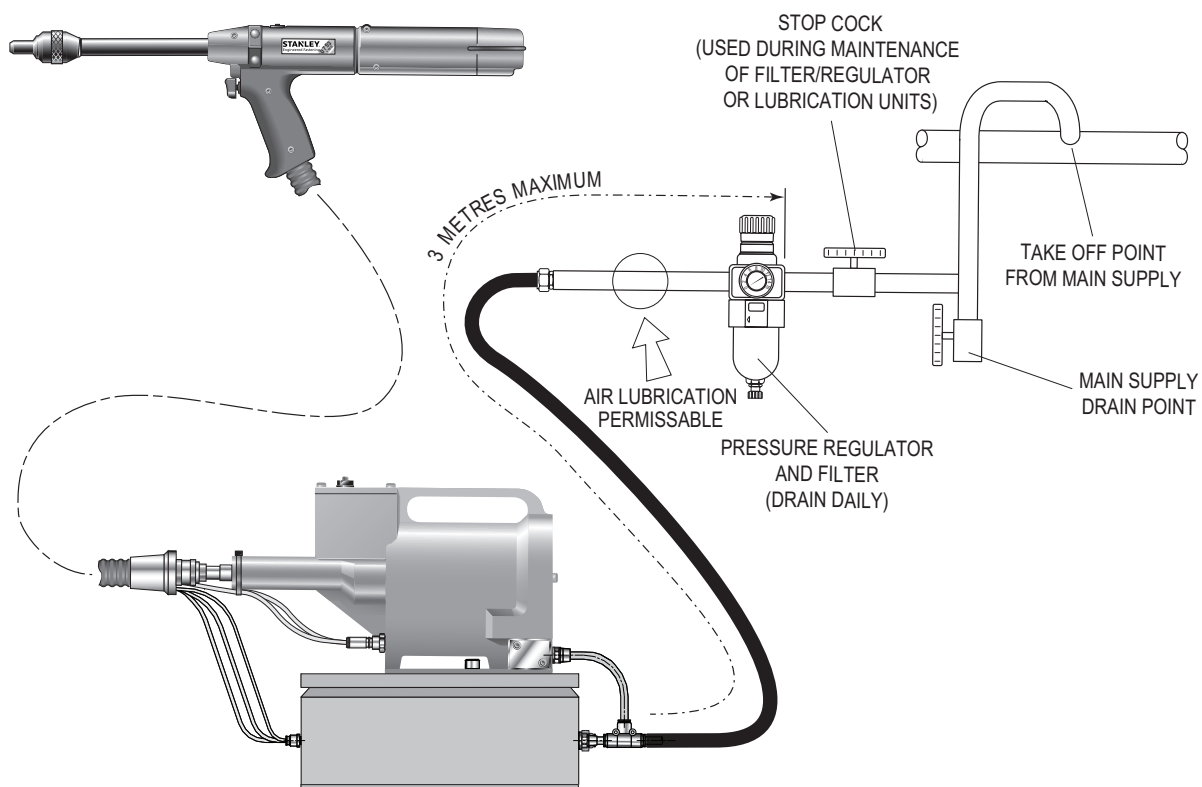
Le dimensioni sono espresse in mm.

4. MESSA IN SERVIZIO

4.1 ALIMENTAZIONE DELL'ARIA

Tutti gli utensili vengono fatti funzionare con aria compressa a una pressione ottimale di 5,5 bar. Si raccomanda l'uso di regolatori di pressione e sistemi automatici di lubrificazione e filtraggio nell'impianto di alimentazione principale dell'aria compressa. Per garantire la massima durata dell'utensile con la minima manutenzione montare tali dispositivi a un massimo di 3 metri di distanza dall'ingresso dell'aria dell'intensificatore (vedere la figura seguente).

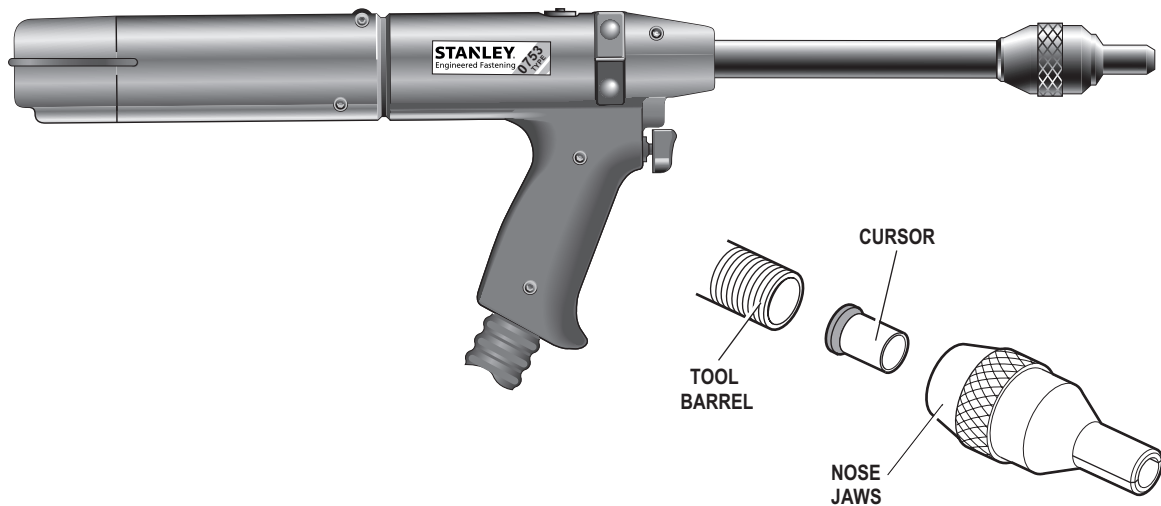
I tubi flessibili di alimentazione dell'aria compressa devono essere in grado di sostenere una pressione pari al 150% della pressione massima prodotta nel sistema, o di 10 bar, a seconda di quale sia il valore superiore. I tubi flessibili di alimentazione dell'aria compressa dovranno essere resistenti all'olio e rinforzati, laddove le condizioni d'impiego potrebbero causarne il danneggiamento. Tutti i tubi flessibili di alimentazione dell'aria compressa DEVONO avere un diametro interno minimo di 6,4 millimetri o 1/4".



Per collegare l'utensile all'intensificatore e all'alimentazione dell'aria seguire i passaggi elencati sotto:

- inserire l'estremità del tubo flessibile idraulico di diametro maggiore proveniente dall'utensile nel raccordo a sgancio rapido dell'intensificatore;
- Sulla parte anteriore dell'intensificatore (Fare riferimento alla pagina 97):
 - Inserire il tubo pneumatico blu (4mm OD) nel raccordo del riduttore situato nel raccordo passaparete a sinistra.
 - Inserire il tubo pneumatico nero (4mm OD) nel collare di plastica del raccordo passaparete a destra.
- Sulla parte anteriore della scatola di controllo (Fare riferimento a pagina 97):
 - infilare il tubo dell'aria argento (diametro esterno di 3 mm) nel riduttore con l'etichetta "Cursor" (Cursore), situato nella parte anteriore della scatola di comando, a sinistra;
 - infilare il tubo dell'aria verde (diametro esterno di 4 mm) nel riduttore con l'etichetta "Tail Jaws" (Ganasce posteriori), situato nella parte anteriore della scatola di comando, al centro;
 - infilare il tubo dell'aria bianco (diametro esterno di 4 mm) nel riduttore con l'etichetta "Signal" (Segnale) situato nella parte anteriore della scatola di comando, a sinistra;
- montare un tubo flessibile pneumatico tra il raccordo maschio situato sul lato posteriore dell'intensificatore e il tubo di alimentazione dell'aria.

4.2 CURSORI PNEUMATICI



Scelta del cursore

Vedere la scheda dati 07900-00863 per i componenti della testata.

CURSORE

IMPORTANTE

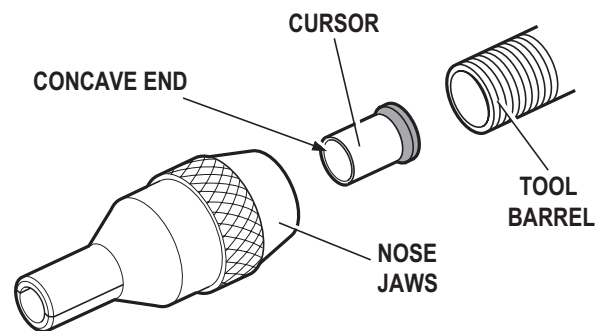
Se montato in modo scorretto, il cursore non consentirà l'alimentazione degli elementi di fissaggio.

Anche se il cursore è montato nel modo corretto, quando si acquista l'utensile si consiglia di controllarne l'orientamento prima di montare la testata. L'estremità del cursore, leggermente concava deve essere rivolta verso la parte anteriore dell'utensile, come mostrato in figura.

Per invertire l'orientamento del cursore, procedere come segue:

La seguente procedura deve essere eseguita con estrema cautela. Occorre fare attenzione a evitare il fusto e il mandrino sporgente.

- Rimuovere la testata, se presente.
- Inserire un mandrino vuoto completamente nell'utensile.
- Chiudere le ganasce posteriori **32**, reinsertendo il pulsante di serraggio delle ganasce posteriori (pos. **18** e **19**).
- Il cursore uscirà dal fusto dopo un breve ritardo.
- Aprire le ganasce posteriori **32**, disattivando il pulsante di serraggio delle ganasce posteriori (pos. **18** e **19**). In questo modo il mandrino viene rilasciato.
- Rimuovere il cursore dal mandrino e inserire il cursore nel fusto.



4.3 CARICAMENTO E SCARICAMENTO DELL'UTENSILE

IMPORTANTE

Il caricamento dell'utensile e il montaggio della testata sull'utensile sono a completamento della procedura.

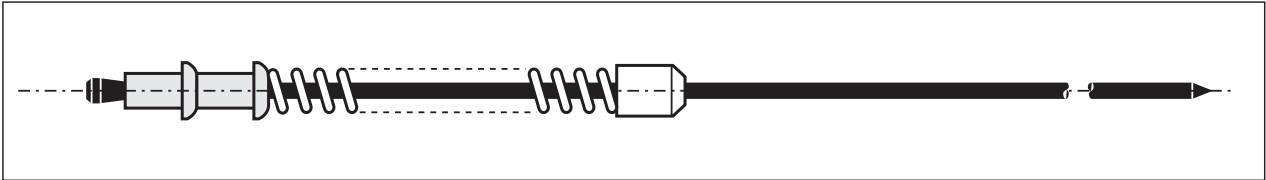
Quando si ordina un utensile o un sistema completo, normalmente viene fornita tutta la testata necessaria per l'elemento di fissaggio da installare.

Se le ganasce anteriori, i mandrini e le molle di trascinamento del mandrino sono stati forniti in dotazione, procedere caricando l'utensile e montando la testata come illustrato sotto.

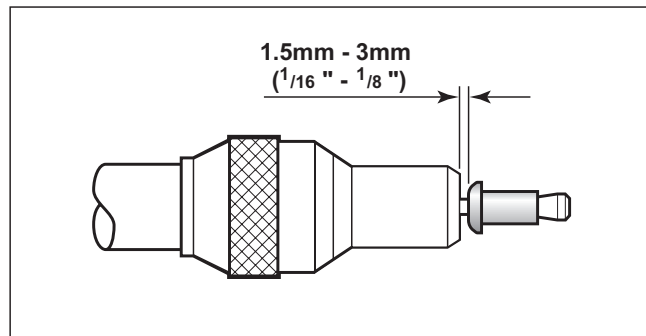
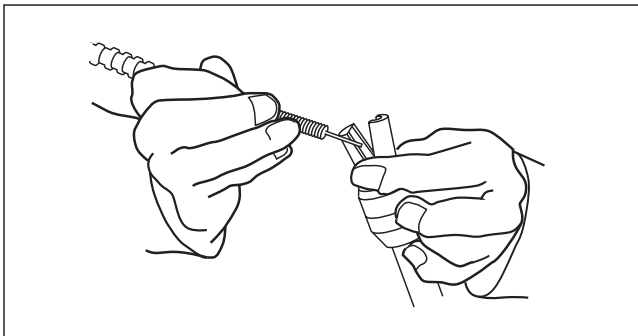
I numeri delle posizioni in **grassetto** fanno riferimento al disegno esploso e all'elenco dei componenti dell'utensile 07536-02200 riportati alle pagine 101-102.

Caricamento dell'utensile

- Collegare il tubo di alimentazione dell'aria compressa all'utensile.
- Aprire le ganasce posteriori **32** che afferrano il mandrino disinserendo il pulsante di serraggio delle ganasce posteriori (pos. **18** e **19**).
- Avvitare le ganasce anteriori selezionate sul fusto **44** dell'utensile.
- * Inserire un mandrino nell'estremità posteriore degli elementi di fissaggio attraverso l'involucro di carta.
- Far scorrere la molla di trascinamento del mandrino sul mandrino assicurandosi di orientarlo correttamente, come illustrato di seguito.



- Afferrando l'estremità posteriore del mandrino, strappare l'involucro di carta che circonda gli elementi di fissaggio.
- Aprire le ganasce anteriori ruotando l'anello esterno presente sulle ganasce a camma oppure spingendo in fuori le estremità delle ganasce, come illustrato di seguito sulla sinistra.
- Inserire il mandrino precedentemente assemblato, la molla di trascinamento del mandrino e i rivetti nelle ganasce anteriori fino a quando il primo rivetto da installare sporgerà dalle ganasce anteriori.
- Chiudere le ganasce posteriori e regolare in modo che il primo rivetto sporga di 1,5 mm - 3 mm ($1/16''$ - $1/8''$), come illustrato nella figura sotto a destra.
- Chiudere le ganasce posteriori **32** assicurandosi che il mandrino sia bloccato, reinserendo il pulsante di serraggio delle ganasce posteriori (pos. **18** e **19**).



Ricaricamento dell'utensile

- Aprire le ganasce posteriori **32** che afferrano il mandrino disinserendo il pulsante di chiusura delle ganasce posteriori (pos. **18** e **19**).
- Aprire le ganasce anteriori ed estrarre il mandrino vuoto e la molla di trascinamento del mandrino dall'utensile.
- Ricaricare l'utensile seguendo le istruzioni riportate sopra, a partire dal passaggio*.

Regolazione dell'utensile (solo per le testate regolabili)

Inserire il mandrino precedentemente assemblato (vedere la sezione "Caricamento dell'utensile") o il mandrino monouso contro il fermo all'interno del gruppo pistone delle ganasce posteriori **60**.

Tenendo fermo il mandrino aprire le ganasce posteriori **32** che afferrano il mandrino, disinserendo il pulsante di serraggio delle ganasce posteriori (pos. **18** e **19**).

Avvitare il controdado sul fusto **44** dell'utensile.

Ruotare la testata sul fusto **44**.

I numeri delle posizioni in **grassetto** fanno riferimento al disegno esploso e all'elenco dei componenti dell'utensile 07536-02200 riportati alle pagine 101-102.

Regolare la testata in modo che il primo rivetto sporga di 1,5 mm - -3mm ($1/16$ $1/8$ "), come illustrato nella figura a pagina 93.
Serrare il controdado contro la testata per evitare che le ganasce anteriori si muovano.

Ricaricamento dell'utensile

Aprire le ganasce posteriori dell'utensile disinserendo il pulsante di serraggio delle ganasce posteriori (pos. **(18-19)**).

Aprire le ganasce anteriori ed estrarre il mandrino vuoto e la molla di trascinamento del mandrino dall'utensile.

Inserire il nuovo mandrino contro il fermo del gruppo pistone ganasce e chiudere le ganasce posteriori **32** che afferrano il mandrino disinserendo il pulsante di serraggio delle ganasce posteriori (pos. **18** e **19**).

Chiudere le ganasce posteriori **32**.

4.4. PROCEDURA OPERATIVA

IMPORTANTE

Controllare che l'orientamento del cursore e della testata sia corretto prima di tentare di azionare l'utensile.

- Spingere l'elemento di fissaggio, che sporge dalle ganasce anteriori, completamente nei fori del pezzo in lavorazione, assicurandosi che il pezzo sia mantenuto in posizione ortogonale.
- Premere il grilletto di azionamento senza rilasciarlo mai: la testa del mandrino viene tirata attraverso l'elemento di fissaggio nel pezzo in lavorazione.
- Rimuovere l'utensile.
- Rilasciare il grilletto di azionamento. L'elemento di fissaggio successivo si presenterà automaticamente dalle ganasce anteriori, pronto per essere installato.

5. MANUTENZIONE DELL'UTENSILE

Occorre eseguire una regolare manutenzione e condurre un controllo completo annualmente oppure ogni 500.000 cicli, a seconda di quale evenienza si verifica per prima.

IMPORTANTE

**Il datore di lavoro é responsabile del fatto che le istruzioni di manutenzione dell'utensile siano fornite al personale appropriato.
L'operatore non dovrebbe essere coinvolto nella manutenzione o riparazione dell'utensile, a meno che egli sia stato opportunamente istruito in tal senso.**

5.1 SCATOLA DI COMANDO PNEUMATICA

IMPORTANTE

**La scatola di comando pneumatica non va assolutamente aperta. La scatola è un pezzo chiuso.
Tutte le regolazioni interne sono già impostate e non devono essere alterate o manomesse.
Questa scatola di comando può essere smontata esclusivamente da personale autorizzato STANLEY Engineered Fastening.**

⚠ ATTENZIONE: non utilizzare mai solventi o altri prodotti chimici aggressivi per pulire le parti non metalliche dell'utensile. Tali prodotti chimici indeboliscono i materiali utilizzati per questi componenti.

5.2 MANUTENZIONE QUOTIDIANA

- Tutti i giorni, prima dell'uso o quando si mette in funzione l'utensile la prima volta, versare qualche goccia di olio lubrificante leggero e pulito nella presa d'aria dell'attrezzo, se non è montato alcun lubrificatore sull'alimentazione dell'aria. Se l'utensile viene utilizzato nella modalità funzionamento continuo, il tubo dell'aria deve essere scollegato dall'impianto di alimentazione principale dell'aria e l'attrezzo lubrificato ogni due o tre ore.
- Verificare che non vi siano perdite di aria compressa e olio idraulico. Sostituire tubi e raccordi danneggiati.
- Se non è presente alcun filtro sul regolatore di pressione, spurgare l'aria per eliminare la sporcizia o l'acqua accumulata prima di collegare il tubo dell'aria all'intensificatore. Se è presente un filtro, spurgarlo.
- Controllare che la testata sia corretta.
- Ispezionare periodicamente i mandrini per accertarsi che non presentino segni di usura o danni, tenendo sotto controllo il numero di installazioni eseguite (leggere le Istruzioni di sicurezza a pagina 86-88).

5.3 MANUTENZIONE SETTIMANALE

- Eseguire le procedure complete di "Manutenzione quotidiana" descritte sopra.
- Smontare le ganasce posteriori, ispezionarle, pulirle e ingrassarle (vedere "Cilindro delle ganasce posteriori" nella sezione "Manutenzione" a pagina 98).
- Controllare che il livello dell'olio nel serbatoio dell'intensificatore sia circa 12 mm (1/2") sotto il coperchio trasparente.

5.4 DATI DI SICUREZZA RELATIVI AL GRASSO AL LITIO-MOLIBDENO EP 3753

Il grasso può essere ordinato come articolo singolo. Il codice pezzo è indicato nel Kit di manutenzione a pagina 96.

PRIMO SOCCORSO

CUTE

Poiché il grasso è completamente resistente all'acqua, il miglior metodo di rimozione è un detergente ad emulsione approvato per la cute.

INGESTIONE

Somministrare all'individuo 30 ml di latte al magnesio, preferibilmente in un bicchiere di latte.

CONTATTO CON GLI OCCHI

Irritante, ma non dannoso. Irrigare con acqua e consultare un medico.

Incendio

PUNTO DI INFIAMMABILITÀ Oltre 220 °C.

Non classificato come infiammabile.

Sostanze adatte per lo spegnimento in caso di incendio: CO₂, alon o acqua nebulizzata, se applicato da un operatore con esperienza.

Ambiente

Smaltire per incenerimento o depositare in un sito approvato.

Manipolazione

Applicare sulle mani una crema dermoprotettiva oppure indossare guanti resistenti all'olio.

Conservazione

Tenere lontano da calore o da agenti ossidanti.

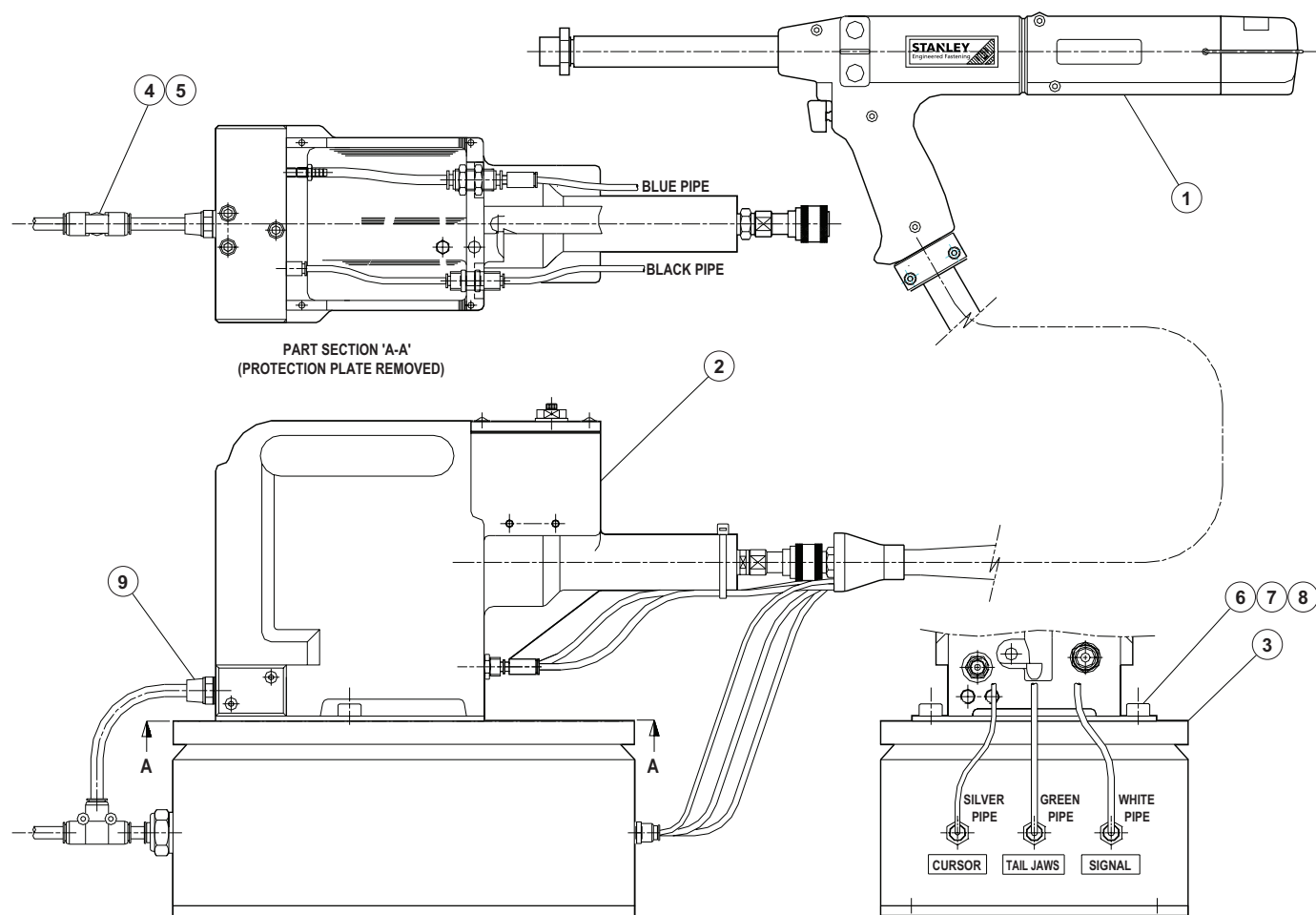
5.5 KIT DI MANUTENZIONE

Per tutti gli interventi di manutenzione si raccomanda l'uso del kit di manutenzione (codice articolo 07900-05300).

KIT DI MANUTENZIONE					
CODICE ARTICOLO	DESCRIZIONE	Q.TÀ	CODICE ARTICOLO	DESCRIZIONE	Q.TÀ
07900-00157	PINZE PER ANELLO DI SICUREZZA	1	07900-00352	GANCIO PER RIMOZIONE GUARNIZIONE	1
07900-00006	SPATOLA	1	07900-00710	CHIAVE PER RIMOZIONE TAPPO DEL FUSTO	1
07900-00446	ESTRATTORE	1	07900-00725	CAPSULA	1
07900-00603	GANASCE MORSA PER FUSTO	1	07900-00243	CACCIAVITE	1
07900-00520	ASTA DI 3/8"	1	07900-00717	CHIAVE PER INTENSIFICATORE	1
07900-00521	ASTA DI 1/4"	1	07900-00013	CHIAVE A BRUGOLA DA 1/8"	1
07900-00602	CAPSULA O-RING	1	07900-00617	LOCTITE® 574 MULTISIGILLANTE - CONFEZIONE DA 50 ml	1
07900-00595	CHIAVE DI 18 mm	1	07900-00469	CHIAVE A BRUGOLA DA 2,5 mm	1
07900-00434	CHIAVE DI 32 mm	1	07900-00351	CHIAVE A BRUGOLA DA 3mm	1
07900-00237	CHIAVE FISSA DA 3/8" x 5/16 "	1	07900-00224	CHIAVE A BRUGOLA DA 4mm	1
07900-00012	CHIAVE DA 9/16" x 5/8"	1	07900-00225	CHIAVE A BRUGOLA DA 5mm	1
07900-00008	CHIAVE DA 7/16" x 1/2"	1	07992-00020	LATTINA DI GRASSO AL LITIO-MOLIBDENO EP 3753 DA 80 g	1

Nota: se non diversamente specificato, le misure delle chiavi indicate si riferiscono all'apertura della chiave.

5.6 GRUPPO UTENSILE CON CURSORE PNEUMATICO, INTENSIFICATORE E SCATOLA DI COMANDO 07536-02100



POS.	CODICE PEZZO	DESCRIZIONE	Q.TÀ
1	07536-02200	UTENSILE PORTATILE CON CURSORE PNEUMATICO	1
2	07531-02200	INTENSIFICATORE	1
3	07007-02024	SCATOLA DI COMANDO DEL CURSORE PNEUMATICO	1
4	07005-10071	RACCORDO A T	1
5	07005-10072	TUBO DI 8 MM (2,50 m)	1
6	74405-12080	INSERTO NUTSERT M8 MODIFICATO	8
7	07001-00469	VITE A TESTA CILINDRICA M8 x 15	2
8	07002-00105	RONDELLA M8	4
9	07005-01573	RACCORDO MASCHIO PER TUBO DI 8 MM	1
10	07005-01977	RIDUTTORE MASCHIO/FEMMINA 6 MM/4 MM	1

6. MANUTENZIONE

Ogni 500.000 cicli l'utensile dovrebbe essere completamente smontato e dovrebbero essere utilizzati nuovi componenti in caso di usura, danneggiamento o secondo le raccomandazioni. Tutti gli o-ring e le guarnizioni devono essere rinnovati e lubrificati con Grasso al litio-molibdeno EP 3753 prima del montaggio.

IMPORTANTE

Le istruzioni per la sicurezza sono riportate a pagina 4.

Il datore di lavoro é responsabile del fatto che le istruzioni di manutenzione dell'utensile siano fornite al personale appropriato.

L'operatore non dovrebbe essere coinvolto nella manutenzione o riparazione dell'utensile, a meno che egli sia stato opportunamente istruito in tal senso.

Il tubo flessibile dell'aria deve essere scollegato prima di eseguire operazioni di manutenzione e smontaggio, a meno che non sia stata impartita un'istruzione diversa.

Si consiglia di eseguire lo smontaggio in condizioni di pulizia.

Prima di smontare l'utensile è necessario rimuovere la testata.

Per la manutenzione totale della macchina si consiglia di procedere allo smontaggio dei sottogruppi nell'ordine indicato di seguito, dopo aver scollegato il tubo idraulico dal gruppo intensificatore e i tubi dell'aria dell'intensificatore e dalla scatola comandi, separando così il gruppo rivettatrice dal gruppo intensificatore.

Le sostanze potenzialmente pericolose che potrebbero essersi depositate sulla macchina a seguito dei processi lavorativi devono essere rimosse prima della manutenzione.

6.1 SMONTAGGIO DEL MODELLO 07536-02200

CILINDRO DELLE GANASCE POSTERIORI

- Ribaltare in su manualmente l'anello di ritegno **53** e rimuovere il fondello **59**.
- Utilizzando una chiave a brugola*, rimuovere una delle viti **6**, assicurandosi che l'aria presente all'interno del cilindro delle ganasce posteriori fuoriesca. Rimuovere la seconda vite a testa cilindrica **6**.
- Estrarre il tappo posteriore **50**. **Nota:** per agevolare l'estrazione, nel retro del tappo è presente una filettatura di 5 mm
- Estrarre i componenti pneumatici delle ganasce posteriori: il gruppo pistone delle ganasce posteriori **60**, il fermo **52**, l'o-ring **12** e le ganasce **32**.
- Estrarre i componenti rimasti, inclusa la molla **36** e la sede delle ganasce **42**.
- La molla **36** deve essere lunga 38,1 mm (1,5"), quando non è sotto tensione. Se necessario, sostituire.
- Rimuovere l'o-ring di tenuta del pistone **11**.
- Scollegare il tubo Concertina del cursore pneumatico (verde) **49** dal raccordo a gomito **22**.
- Scollegare il tubo Concertina del cursore pneumatico (argento) **38** dal raccordo a gomito portagomma **30**.
- Rimuovere tutte e cinque le viti di fissaggio **3**, **4** e tutti e quattro i dadi **8** dall'impugnatura dell'utensile con una chiave a brugola*.
- Serrare il fusto **44** in una morsa dotata di ganasce morbide per evitare che si danneggi.
- Svitare il tappo del fusto **46**, con una chiave per dadi*, impedendo che il fusto **44** ruoti mediante una chiave fissa a forchetta doppia*.
- Togliere il cilindro delle ganasce posteriori **47** dall'utensile.
- Togliere l'o-ring **14**, il nastro abrasivo **41** e la molla di ritorno del fusto **37**.
- Prima di procedere al montaggio ricoprire la superficie delle ganasce posteriori **32** a contatto con la sede delle ganasce **42** con grasso al litio-molibdeno.

* Si riferisce agli articoli inclusi nel Kit di manutenzione 0753 MkII. Per un elenco completo vedere a pagina 96.

I numeri delle posizioni in **grassetto** fanno riferimento al disegno esplosivo e all'elenco dei componenti riportati alle pagine 101-102.

- Rimontare procedendo in ordine inverso rispetto allo smontaggio.

PISTONE IDRAULICO

- Rimuovere il cilindro delle ganasce posteriori **47** come descritto sopra.
- Serrare il corpo **45** in una morsa dotata di ganasce morbide* per evitare che si danneggi; smontare il limitatore di corsa **40**.
- Utilizzando una chiave a brugola*, allentare la vite **5** di fissaggio del blocco pulsante **54** al fusto **44**.
- Tenendo saldamente l'utensile, estrarre il fusto **44** dal corpo **45** (dall'interno della testa potrebbe essere espulsa una piccola quantità di olio idraulico).
- Rimuovere il pistone **39** con cautela in modo da non danneggiare il foro della testa.
- Rimuovere la guarnizione **16**.
- La guarnizione **17** è difficile da togliere senza essere danneggiata: può comunque rimanere al suo posto durante la pulizia (a condizione che non venga interessata dall'operazione di pulizia). Tuttavia, nel caso sia necessario sostituire la guarnizione **17**, procedere come descritto di seguito:
- Estrarre la guarnizione **17** dal corpo **45** con la spatola*, facendo attenzione a non danneggiare i fori e le pareti interne del corpo; una volta tolta, la guarnizione **17** DEVE essere gettata via.
- Per sostituire la guarnizione **17**, svitare il gruppo tappo di spurgo **43** finché la superficie interna sarà a livello con il foro interno del corpo **45**. Ciò fornirà un passaggio per inserire senza difficoltà una nuova guarnizione **17** dalla parte posteriore del corpo **45**.
- Accertarsi che la guarnizione **17** sia ben ingrassata e montata nel verso giusto, con l'estremità aperta posizionata verso le ganasce posteriori.
- Rimontare procedendo in ordine inverso rispetto allo smontaggio.

GRUPPO DEL GRILLETTO

- Per smontare/riparare il gruppo, rimuovere i coperchi dall'utensile come descritto in precedenza.
- Scollegare tutti i tubi pneumatici dal gruppo, facendo attenzione a non danneggiarli. Estrarre il gruppo.
- Utilizzando una chiave fissa*, svitare l'elemento di fermo **34** e rimuovere. Fare attenzione a tenere la molla **31**.
- Estrarre l'o-ring **10** facendo attenzione a non danneggiare le sedi del mandrino **35** e dell'elemento di fermo **34**.
- Pulire e riassembleare utilizzando un nuovo 'O' Ring **10**.
- Controllare la lunghezza della molla **31** che deve essere pari a 12,7mm (0,5") di lunghezza libera – sostituire se necessario.
- Rimontare procedendo in ordine inverso rispetto allo smontaggio.

VALVOLA ON/OFF DELLE GANASCE POSTERIORI

- L'unità è stata concepita in modo da ridurre al minimo gli interventi di manutenzione richiesti durante la vita operativa dell'utensile.
- Se tuttavia dovesse essere necessario smontare la valvola, procedere come segue:
- Rimuovere l'alloggiamento del grilletto **56**, come descritto nella sezione "Pistone idraulico".
- Togliere delicatamente con un cacciavite* la rondella di chiusura a stella cromata **18** dalla bobina pneumatica delle ganasce posteriori **55** e gettare la rondella.
- Estrarre la bobina pneumatica delle ganasce posteriori **55** dal blocco pulsante **54**.
- Togliere gli o-ring **12** facendo attenzione a non danneggiare la bobina pneumatica delle ganasce posteriori **55**.
- Pulire la bobina e rimontare l'o-ring **12** con la capsula* e inserirlo nel blocco pulsante **54**, facendo attenzione a rispettare il corretto orientamento.

* Si riferisce agli articoli inclusi nel Kit di manutenzione 0753 MkII. Per un elenco completo vedere a pagina 96.

I numeri delle posizioni in **grassetto** fanno riferimento al disegno esploso e all'elenco dei componenti riportati alle pagine 101-102.

- Bloccare il gruppo in una morsa dalle ganasce morbide, per evitare che si danneggi, e installare una nuova rondella di chiusura a stella cromata **18**. NON FORZARE.
- Rimontare procedendo in ordine inverso rispetto allo smontaggio.

IMPUGNATURA E FONDELLO

- Pulire e controllare che i pezzi stampati non presentino crepe o altri danni.

CURSORE

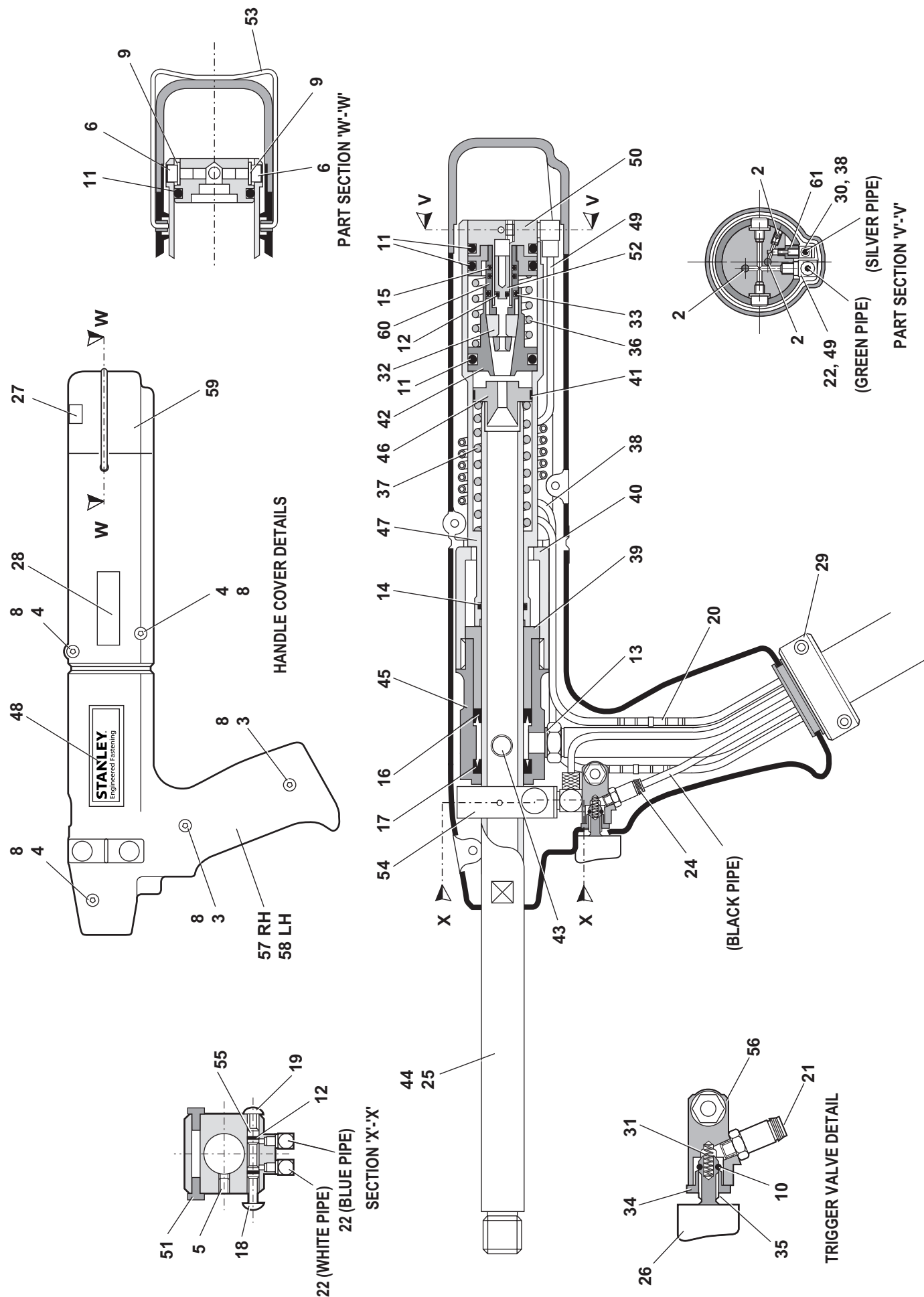
- Pulire e lubrificare il gruppo cursore occasionalmente con un po' di olio leggero.

IMPORTANTE

**Verificare che l'utensile sia sottoposto a manutenzione quotidiana e settimanale.
È SEMPRE necessario ricaricare l'olio dopo lo smontaggio dell'utensile e prima della messa in funzione.**

* Si riferisce agli articoli inclusi nel Kit di manutenzione 0753 MkII. Per un elenco completo vedere a pagina 96. I numeri delle posizioni in **grassetto** fanno riferimento al disegno esplosivo e all'elenco dei componenti riportati alle pagine 101-102.

6.2 DISEGNO ESPLOSO DELL'UTENSILE DI BASE 07536-02200



6.3 ELENCO DEI COMPONENTI DELL'UTENSILE DI BASE 07536-02200

07536-02200 ELENCO DEI COMPONENTI									
POS.	CODICE ART.	DESCRIZIONE	Q.TÀ	RICAMBI	POS.	CODICE ART.	DESCRIZIONE	Q.TÀ	RICAMBI
1	07007-00392	FASCETTA FERMACAVO (NON ILLUSTRATA IN FIGURA)	1	-	34	07220-00803	ELEMENTO DI FISSAGGIO	1	-
2	07001-00499	VITE DI FERMO A ESAGONO INCASSATO LUNGA M3 x 5	3	-	35	07241-00208	MANDRINO	1	-
3	07001-00262	VITE A TESTA CILINDRICA CON ESAGONO INCASSATO LUNGA M4 x 22	1	-	36	07154-00404	MOLLA	1	-
4	07001-00401	VITE A TESTA CILINDRICA CON ESAGONO INCASSATO LUNGA M4 x 10	4	-	37	07490-03002	MOLLA DI RITORNO FUSTO	1	-
5	07001-00404	VITE DI FERMO CON ESAGONO INCASSATO LUNGA M5 x 6	1	-	38	07536-02211	TUBO CONCERTINA PER CURSORE PNEUMATICO 3 MM - ARGENTO	1	-
6	07001-00504	VITE A TESTA CILINDRICA CON ESAGONO INCASSATO LUNGA M4 x 6	2	2	39	07536-00203	PISTONE	1	-
7					40	07530-00204	LIMITATORE DI CORSA	1	-
8	07002-00134	DADO ESAGONALE M4	4	-	41	07530-00206	NASTRO ABRASIVO	1	1
9	07002-00153	RONDELLA M4 [IN PLASTICA]	2	-	42	07536-00208	SEDE GANASCE	1	-
10	07003-00022	O-RING	1	-	43	07530-00500	GRUPPO TAPPO DI SPURGO [POS. DA 62 A 65] ●	1	-
11	07003-00113	O-RING	3	3	44	07536-02201	FUSTO	1	-
12	07003-00121	O-RING	3	3	45	07530-02202	CORPO	1	-
13	07003-00142	GUARNIZIONE COMPOSTA BSP 1/8"	1	1	46	07530-02205	TAPPO FUSTO	1	-
14	07003-00167	O-RING	1	1	47	07536-02207	CILINDRO DELLE GANASCE POSTERIORI	1	-
15	07003-00386	O-RING	2	-	48	07530-02210	ETICHETTA	2	-
16	07003-00236	GUARNIZIONE [DINAMICA]	1	1	49	07536-02212	TUBO CONCERTINA PER CURSORE PNEUMATICO 4 MM - VERDE	1	-
17	07003-00237	GUARNIZIONE [STATICA]	1	-	50	07536-02213	TAPPO POSTERIORE	1	-
18	07004-00058	RONDELLA DI CHIUSURA A STELLA CROMATA 1/8"	1	-	51	07530-00310	TAPPO DI CHIUSURA	2	-
19	07004-00059	RONDELLA DI CHIUSURA A STELLA NERA 1/8"	1	-	52	07536-02214	ARRESTA	1	-
20	07005-10073	RACCORDO 3 MM	1	-	53	07530-02220	FERMO	1	-
21	07005-01357	RACCORDO A COLLARE	1	-	54	07530-02301	BLOCCO PULSANTE	1	-
22	07005-01571	RACCORDO A GOMITO	3	-	55	07530-02302	BOBINA PNEUMATICA GANASCE POSTERIORI	1	-
23	07536-02216	DADO DI BLOCCAGGIO	1	-	56	07530-02311	ALLOGGIAMENTO DEL GRILLETTO	1	-
24	07005-10074	RACCORDO 2 MM	1	-	57	07536-02601	GRUPPO IMPUGNATURA - DESTROSI	1	-
25	07007-00017	CAPPUCCIO ANTIPOLVERE	1	-	58	07536-02602	GRUPPO IMPUGNATURA - MANCINI	1	-
26	07007-00300	GRILLETTO	1	-	59	07530-02603	FONDELLO	1	-
27	73200-02022	ETICHETTA DI SICUREZZA	1	-	60	07536-02800	PISTONE GANASCE POSTERIORI	1	-
28	07007-01504	ETICHETTA CON MARCHIO CE	1	-	61	07536-02215	RACCORDO ADATTATORE	1	-
29	07008-00438	TUBO FLESSIBILE	1	-	62	07003-00142	● GUARNIZIONE COMPOSTA (NON ILLUSTRATA IN FIGURA)	1	1
30	07005-01323	RACCORDO A GOMITO PORTAGOMMA M3	1	-	63	07003-00194	● GUARNIZIONE COMPOSTA (NON ILLUSTRATA IN FIGURA)	1	1
31	07125-00215	MOLLA	1	-	64	07001-00442	● VITE (NON ILLUSTRATA IN FIGURA)	1	1
32	07151-00403	GANASCE POSTERIORI	1 coppia	2	65	07530-00501	● TAPPO (NON ILLUSTRATO IN FIGURA)	1	-
33	07003-00016	O-RING	1						

6.4 ISTRUZIONI PER LO SMONTAGGIO

- Quando si smonta il gruppo intensificatore, per prima cosa scollegare il tubo di alimentazione dell'aria al raccordo di ingresso dell'intensificatore **22**.
- Utilizzando una chiave a brugola*, svitare le quattro viti **27** e rimuovere la piastra di protezione **24**.
- Scollegare il tubicino del grilletto **47** dalla valvola dell'intensificatore **43** o **48** premendo il collare esterno e tirando il tubicino.
- Rimuovere la piastra di copertura **4** e la guarnizione **35** togliendo le viti **37** e le rondelle **36** con una chiave a brugola*.
- Assicurarci che la guarnizione non sia danneggiata in modo da garantire una tenuta adeguata sul gruppo.
- Capovolgere il gruppo intensificatore e scaricare l'olio dal serbatoio in un contenitore idoneo.
- Rimuovere il connettore a sgancio rapido **32** insieme al raccordo **31** e alle guarnizioni **33** con una chiave idonea*.
- Rimuovere la valvola dell'intensificatore **43** o **48** togliendo le viti di fissaggio con una chiave adatta, avendo cura di mantenere in posizione l'o-ring **21** situato nel pezzo fuso del corpo dell'intensificatore.
- Estrarre la vite **19** con una chiave a brugola idonea* e rimuovere il coperchio del silenziatore **16**, il silenziatore in materiale espanso **15**, il distanziatore **18** e la piastra di fermo **20**.
- Staccare il tubo di plastica di 6 mm **41** dai connettori per l'aspirazione **42**.
- Dalla base dell'intensificatore inserire una chiave a brugola* di 3 mm attraverso i due fori e svitare i raccordi per l'aspirazione **42**. Nota:
 - È necessario procedere con cautela, perché i raccordi per l'aspirazione sono bloccati e sigillati in posizione con Loctite® 574.
 - in caso di difficoltà nella rimozione, è possibile estrarre i raccordi con un trapano utilizzando una punta di 3/16" o 4,7 mm di diametro.
- Per rimontare i raccordi per l'aspirazione **42** attenersi alla procedura seguente. -
 - Immergere i raccordi per l'aspirazione in un primer adatto, come ad esempio Perma Bond A905
 - Mettere una goccia di Loctite® 574 nel foro filettato dell'intensificatore.
 - Dalla base dell'intensificatore inserire la chiave a brugola* attraverso il foro. Assicurarci che la chiave a brugola* non presenti tracce di Loctite® 574 prima di inserirla nel raccordo per l'aspirazione.
 - Durante l'applicazione di Loctite® 574 alla base del raccordo per l'aspirazione ruotare la chiave a brugola.
 - Avvitare il raccordo per l'aspirazione nell'intensificatore, assicurandosi che vi sia una quantità sufficiente di Loctite® 574 alla base del raccordo affinché la filettatura non sia visibile.
- Utilizzando un cacciavite rimuovere con cautela l'anello di ritegno interno **14**. Pulire e controllare che la scanalatura non sia usurata o danneggiata.
- Usando l'estrattore*, inserire l'estremità filettata maschio nel coperchio terminale **12** ed estrarlo insieme al manicotto dell'intensificatore **28** e agli o-ring **10** e **13**.
- Inserire l'asta attraverso il forellino del raccordo nella parte anteriore del corpo dell'intensificatore ed estrarre l'asta del pistone **9** e il gruppo pistone.
- Utilizzando una chiave a brugola* idonea, svitare le due viti **25** rimuovere il coperchio terminale **12** dal manicotto dell'intensificatore **28**.
- Rimuovere il tappo di tenuta **7** con la chiave*.
- Inserire l'asta* attraverso l'orifizio del raccordo nella parte anteriore del corpo dell'intensificatore e spingere fuori l'alloggiamento della guarnizione **5** e i relativi o-ring e labbri di tenuta.
- Rimuovere il gruppo alloggiamento valvola **34** dal corpo principale con una chiave* idonea. Pulire soffiando con un getto d'aria a bassa pressione.
- Rimuovere l'asta del pistone **9** dal pistone aria dell'intensificatore **11**, bloccando i primi 20 mm (3/4") dell'asta in una morsa dotata di ganasce morbide, avendo cura di non danneggiare o segnare la superficie di lavoro.
- Svitare il dado di bloccaggio **17** con una chiave* idonea.

* Si riferisce agli articoli inclusi nel Kit di manutenzione 0753 MkII. Per un elenco completo vedere a pagina 96.
I numeri delle posizioni **in grassetto** si riferiscono alle figure e agli elenchi dei componenti a fronte.

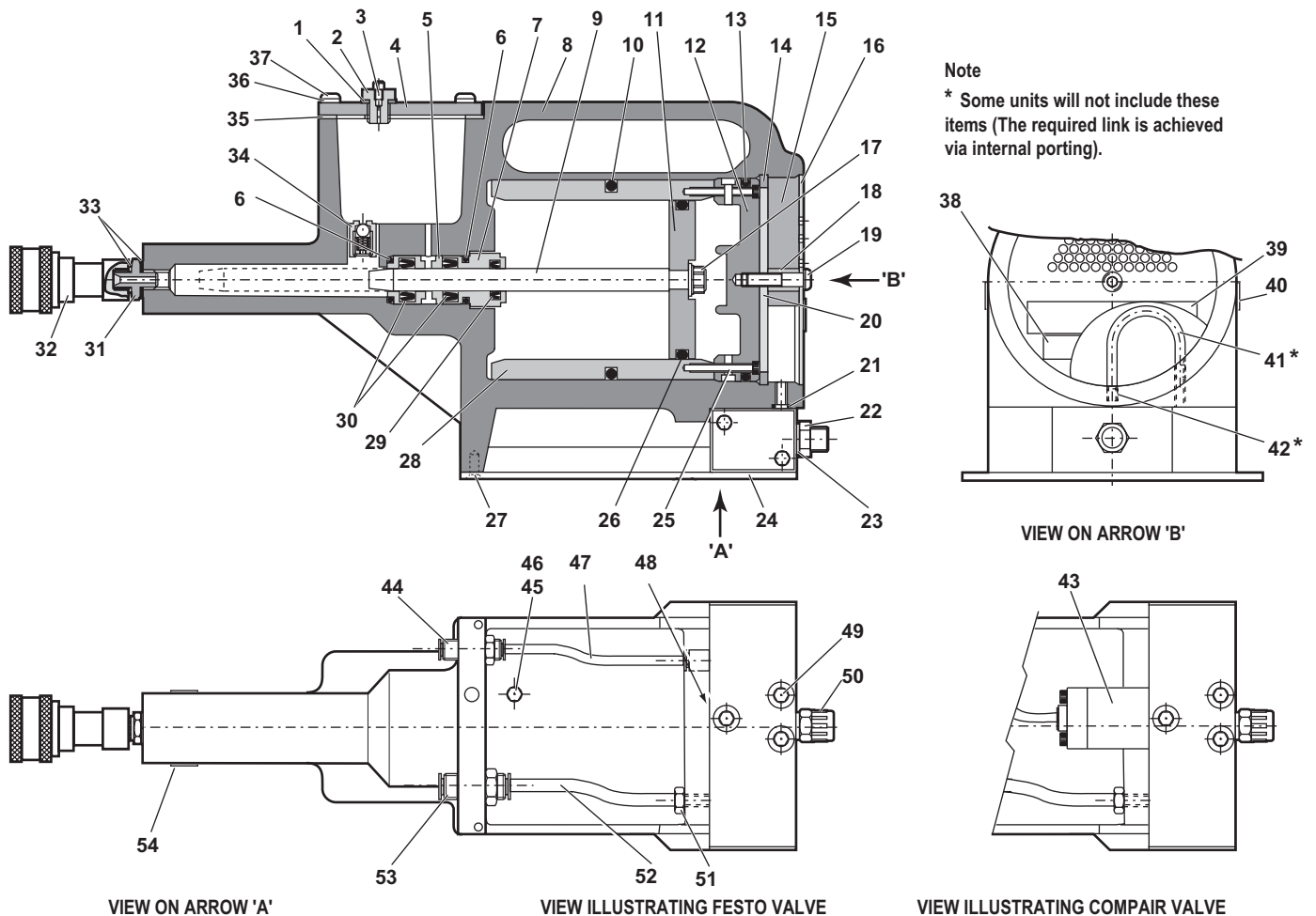
- Per rimontare procedere in ordine inverso rispetto allo smontaggio e osservare quanto segue:
- Pulire tutti i componenti e sostituire tutti gli o-ring.
- Lubrificare tutte le guarnizioni con grasso al litio-molibdeno.
- Il gruppo alloggiamento valvola **34** deve essere rimontato utilizzando un adesivo sigillante per filetti.
- Assemblare il gruppo pistone con un dado **17** nuovo.
- Il coperchio terminale **12** deve essere montato correttamente all'interno dell'anello di ritegno **14**. L'utensile non può essere messo in funzione se il coperchio terminale risulta mancante.

IMPORTANTE

È SEMPRE necessario ricaricare l'olio dopo lo smontaggio dell'utensile e prima della messa in funzione.

6.5 PROTEZIONE DELL'AMBIENTE

Assicurare la conformità alle normative applicabili sullo smaltimento. Smaltire tutto il materiale di scarto presso una struttura o un sito autorizzati, in modo da non esporre il personale e l'ambiente a rischi.

6.6 INTENSIFICATORE 07531-02200

* Si riferisce agli articoli inclusi nel Kit di manutenzione 0753 MkII. Per un elenco completo vedere a pagina 96. I numeri delle posizioni **in grassetto** si riferiscono alle figure e agli elenchi dei componenti a fronte.

07531- 02200 ELENCO DEI COMPONENTI									
POS.	CODICE ART.	DESCRIZIONE	Q.TÀ RICAMBI		POS.	CODICE ART.	DESCRIZIONE	Q.TÀ RICAMBI	
1	07003-00037	GUARNIZIONE	1	1	28	07531-00201	MANICOTTO	1	-
2	07240-00211	VITE DI RIEMPIMENTO	1	-	29	07003-00337	LABBRO DI TENUTA	1	1
3	07001-00418	VITE DI SPURGO	1	1	30	07003-00336	LABBRO DI TENUTA	2	2
4	07240-00210	PIASTRA DI COPERTURA	1	-	31	07005-00406	RACCORDO	1	-
5	71420-02006	ALLOGGIAMENTO GUARNIZIONE	1	-	32	07005-00759	CONNETTORE A SGANCIO RAPIDO	1	-
6	07003-00153	O-RING	2	-	33	07003-00142	GUARNIZIONE	2	1
7	71420-02007	TAPPO DI TENUTA	1	-	34	07240-00400	GRUPPO ALLOGGIAMENTO VALVOLA	1	-
8	71420-02300	CORPO	1	-	35	07240-00209	GUARNIZIONE	1	1
9	71420-02008	ASTA PISTONE	1	-	36	07002-00073	RONDELLA	4	1
10	07003-00182	O-RING	1	1	37	07001-00554	VITE	4	1
11	07531-00202	PISTONE ARIA COMPRESSA	1	-	38	07007-01504	ETICHETTA	1	-
12	07531-00204	COPERCHIO TERMINALE	1	-	39	07240-00217	ETICHETTA	1	-
13	07003-00183	O-RING	1	1	40	07531-00205	ETICHETTA	2	-
14	07004-00069	ANELLO DI RITENZIONE	1	1	41	07005-00596	*TUBO DI PLASTICA Ø 6 mm	-	-
15	07240-00213	SILENZIATORE IN MATERIALE ESPANSO	1	1	42	07245-00103	*RACCORDO PER ASPIRAZIONE	2	-
16	07240-00214	COPERCHIO SILENZIATORE	1	-	43	07005-00590	VALVOLA COMPAIR	1	1
17	07002-00017	DADO	1	1	44	07005-01431	RACCORDO PASSAPARETE	1	1
18	07240-00215	DISTANZIATORE	1	-	45	07005-00668	TAPPO M5	1	-
19	07001-00417	VITE	1	1	46	07005-00670	ANELLO DI TENUTA M5	1	-
20	07240-00216	PIASTRA DI FERMO	1	-	47	07005-01084	TUBO DI PLASTICA 4 mm (150 mm)	-	-
21	*07003-00042	O-RING	1	1	48	07005-01524	VALVOLA FESTO	1	-
22	07005-00041	RACCORDO	1	-	49	07001-00176	VITE	3	-
23	07003-00065	RONDELLA	1	-	50	07007-00292	CAPPUCCIO ROSSO BSP 1/4"	1	-
24	07240-00220	PIASTRA DI PROTEZIONE	1	-	51	07005-00647	RACCORDO	1	-
25	07001-00375	VITE	2	-	52	07005-01085	TUBO DI PLASTICA 6 mm (150 mm)	-	-
26	07003-00238	O-RING	1	1	53	07005-00855	RACCORDO PASSAPARETE	1	-
27	07001-00396	VITE	4	-	54	73200-02022	ETICHETTA DI SICUREZZA	1	-

7. ADESCAMENTO

È SEMPRE necessario ricaricare l'olio dopo lo smontaggio dell'utensile e prima della messa in funzione. Potrebbe essere anche necessario ristabilire l'intera corsa dopo un utilizzo considerevole, se la corsa si è ridotta e gli elementi di fissaggio da mettere in posa non vengono completamente installati premendo una volta il grilletto.

7.1 DATI RELATIVI ALL'OLIO

Si raccomanda l'utilizzo di olio per rabbocco Hyspin® VG32 e AWS 32 disponibile in confezioni da 0,5 l (codice articolo 07992-00002) o in contenitori da un gallone (codice articolo 07992-00006). Vedere i dati di sicurezza di seguito.

7.2 DATI DI SICUREZZA RELATIVI ALL'OLIO HYSPIN® VG 32 E AWS 32

PRIMO SOCCORSO

CUTE

Lavare a fondo con acqua e sapone appena possibile. Il contatto casuale non richiede attenzione immediata. Il contatto per breve tempo non richiede attenzione immediata.

INGESTIONE

Rivolgersi immediatamente a un medico. NON indurre il vomito.

CONTATTO CON GLI OCCHI

Sciacquare immediatamente con abbondante acqua per diversi minuti. Pur non essendo un agente irritante di primo livello, potrebbero verificarsi lievi irritazioni in seguito al contatto con la pelle.

Incendio

Sostanze adatte per lo spegnimento in caso di incendio: CO₂, polvere a secco, schiuma o acqua nebulizzata. NON utilizzare getti d'acqua.

Ambiente

SMALTIMENTO DEI RIFIUTI Consegnare a una ditta autorizzata per lo smaltimento o in un punto di raccolta apposito. Può essere incenerito. Il prodotto usato può essere destinato al recupero.

VERSAMENTO Evitare che il prodotto finisca negli scarichi, nelle fogne e nei corsi d'acqua. Raccogliere il prodotto con materiale assorbente.

Manipolazione

Indossare un dispositivo di protezione per gli occhi, guanti impermeabili (ad esempio in PVC) e un grembiule di plastica. Utilizzare il prodotto in un'area ben ventilata.

Conservazione

Non sono richieste precauzioni particolari.

7.3. PROCEDURA DI RABBOCCO DELL'OLIO

IMPORTANTE

NON PREMERE IL GRILLETTO DI AZIONAMENTO QUANDO LA VITE DI SPURGO NON È AVVITATA ALL'UTENSILE
Tutte le operazioni devono essere eseguite su un banco da lavoro pulito, con le mani pulite e in un'area pulita.
Assicurarsi che il nuovo olio sia perfettamente pulito e non contenga bolle d'aria.
Si DEVE assolutamente evitare che sostanze estranee penetrino all'interno dell'attrezzo, poiché quest'ultimo potrebbe subire gravi.

- Rimuovere la vite di riempimento **2** e la guarnizione **1** dalla piastra di copertura di plastica **4** sul serbatoio dell'intensificatore.
- Versare l'olio di rabbocco nel serbatoio fino a quando arriva a circa 12 mm (1/2") dal bordo superiore.
- Rimontare la vite **2** e la guarnizione **1**.
- Collegare l'intensificatore all'alimentazione dell'aria. Rimuovere la vite dal serbatoio.
- Con la rivettatrice 07536 collegata all'intensificatore e posizionata al di sotto dello stesso, svitare la vite del foro di spurgo **64** dal tappo di spurgo **43** dell'utensile 07536 di due giri e lasciare fuoriuscire l'olio dall'utensile.
- Quando l'olio scorrerà liberamente e senza bolle d'aria, serrare la vite del foro di spurgo.
- Riempire il serbatoio dell'intensificatore con olio di rabbocco.
- Fare compiere all'utensile alcuni cicli operativi finché le bolle d'aria presenti nell'olio non saranno espulse dal serbatoio dell'olio.

I numeri delle posizioni in **grassetto** fanno riferimento al disegno esplosivo e all'elenco dei componenti riportati alle pagine 101-104.

8. RISOLUZIONE DEI PROBLEMI

PROBLEMA	POSSIBILE CAUSA	SOLUZIONE	RIF. PAGINA
L'utensile non inserisce i rivetti.	Bassa pressione dell'aria.	Aumentare la pressione dell'aria	
	Manca di lubrificazione.	Lubrificare l'utensile nella presa d'aria	
	Carico di ribaditura elevato.	Verificare la presa del rivetto e le dimensioni del foro di applicazione.	
	Verificare che la dimensione del mandrino sia corretta.		
	Ganasce posteriori disattivate.	Attivare le ganasce posteriori	
	Aria nell'impianto idraulico.	Vedere "Procedura di rabbocco olio"	106
Scivolamento del mandrino - Le ganasce non afferrano il mandrino	Ganasce posteriori usurate o sporche.	Pulirle o sostituirle secondo necessità	
	Pressione o volume dell'aria insufficiente.	Aumentare la pressione/il volume dell'aria	
	Pulsante di serraggio delle ganasce posteriori fuori uso.	Sostituire il pulsante	
	Perdite d'aria dalle ganasce posteriori.	Sostituire gli o-ring sul pistone 11	
	Mandrino rotto e che non raggiunge le ganasce posteriori.	Sostituire il mandrino	
	Guasto nella scatola di comando pneumatica.	Contattare il personale STANLEY Engineered Fastening	
Le ganasce non rilasceranno il mandrino	Ganasce posteriori o sede ganasce sporche.	Pulire e lubrificare	
	Pulsante di serraggio delle ganasce posteriori malfunzionante.	Sostituire gli o-ring	
	Segnale di aria intrappolata	Controllare i tubi dell'aria compressa	
	Guasto nella scatola di comando pneumatica	Contattare il personale STANLEY Engineered Fastening	
Gli elementi di fissaggio non passano attraverso le ganasce anteriori	Ganasce posteriori non attivate.	Attivare le ganasce posteriori	
	Ganasce posteriori usurate.	Sostituire con ganasce nuove posteriori	
	Orientamento del cursore non corretto.	Rimontare accertandosi che l'orientamento sia corretto	
	Cursore non corretto	Inserire il cursore corretto	
	Ganasce anteriori non corrette.	Montare ganasce anteriori corrette	
	Molla di trascinamento del mandrino non montata.	Montare la molla di trascinamento del mandrino corretta	
	Lunghezza della molla di trascinamento del mandrino	Montare la molla di trascinamento del mandrino corretta	
	Spazio errato tra la testa dell'elemento di fissaggio e le ganasce anteriori caricate.	Regolare lo spazio tra 1,5 mm e 3 mm (1/16" - 1/8") Vedere "Caricamento dell'utensile"	93-94
	Inceppamento del cursore.	Pulire o lubrificare il cursore	
	Cursore pneumatico usurato	Sostituire il cursore	
	Molla di trascinamento del mandrino montata non corretta.	Montare la molla di trascinamento del mandrino corretta	
Molla di ritorno fusto usurata o rotta	Sostituire la molla di ritorno fusto		
Ganasce posteriori troppo usurate	Carico di ribaditura elevato.	Verificare la presa del rivetto e le dimensioni del foro di applicazione.	
Alimentazione di più un rivetto alla volta	Slittamento del mandrino.	Eseguire la stessa verifica condotta in caso di scivolamento del mandrino descritta al passaggio 2	
	Spazio errato tra la testa del rivetto e le ganasce anteriori caricate	Regolare lo spazio tra 1,5 mm e 3 mm (1/16" - 1/8") Vedere "Caricamento dell'utensile" a pagina	93-94

Rivolgersi al proprio rivenditore autorizzato o al centro riparazioni Stanley Engineered Fastening di zona per altri problemi o guasti.

NOTE

9. DICHIARAZIONE DI CONFORMITÀ CE

STANLEY Engineered Fastening, Stanley House, Works Road, Letchworth Garden City, Hertfordshire, SG6 1JY REGNO UNITO dichiara, sotto la sua sola responsabilità che il prodotto:

Descrizione: Utensile per l'installazione a ripetizione di rivetti rapidi

Modello: 07536

al quale si riferisce la presente dichiarazione è conforme alle seguenti norme:

ISO 12100:2010	EN ISO 3744:2010
EN ISO 11202:2010	EN ISO 11148-1:2011
EN ISO 4413:2010	BS EN 28662-1:1993
EN ISO 4414:2010	EN ISO 20643:2008+A1:2012
EN ISO 28927-5:2009+A1:2015	ES100118-rev 17:2017

La documentazione tecnica è compilata in base all'Allegato VII, ai sensi della Direttiva seguente: **Direttiva macchine 2006/42/CE** (la legislazione britannica corrispondente si basa sulle Supply of Machinery (Safety) Regulations, Statutory Instruments 2008 n.1597 [Norme di sicurezza riguardanti la fornitura di macchinari in vigore nel Regno Unito]).

Il firmatario rende la presente dichiarazione per conto di STANLEY Engineered Fastening



A. K. Seewraj

Direttore tecnico, Regno Unito

Avdel UK Limited, Stanley House, Works Road, Letchworth Garden City, Hertfordshire, SG6 1JY REGNO UNITO

Luogo di pubblicazione: Letchworth Garden City, Regno Unito

Data di pubblicazione: 01-01-2021

Il firmatario è responsabile della compilazione della documentazione tecnica per i prodotti venduti nell'Unione europea e rilascia la presente dichiarazione per conto di Stanley Engineered Fastening.

Matthias Appel

Responsabile team di compilazione documentazione tecnica

Stanley Engineered Fastening, Tucker GmbH, Max-Eyth-Str.1, 35394 Gießen, Germania



Questo prodotto è conforme alla
Direttiva Macchine 2006/42/CE

10. DICHIARAZIONE DI CONFORMITÀ PER IL REGNO UNITO

STANLEY Engineered Fastening, Stanley House, Works Road, Letchworth Garden City, Hertfordshire, SG6 1JY REGNO UNITO dichiara, sotto la sua sola responsabilità che il prodotto:

Descrizione: Utensile per l'installazione a ripetizione di rivetti rapidi

Modello: 07536

al quale si riferisce la presente dichiarazione è conforme alle seguenti norme:

ISO 12100:2010	EN ISO 3744:2010
EN ISO 11202:2010	EN ISO 11148-1:2011
EN ISO 4413:2010	BS EN 28662-1:1993
EN ISO 4414:2010	EN ISO 20643:2008+A1:2012
EN ISO 28927-5:2009+A1:2015	ES100118-rev 17:2017

La documentazione tecnica è compilata in base alle Supply of Machinery (Safety) Regulations 2008 S.I. 2008/1597 [Norme di sicurezza riguardanti la fornitura di macchinari in vigore nel Regno Unito] (e successive modifiche).

Il firmatario rende la presente dichiarazione per conto di STANLEY Engineered Fastening



A. K. Seewraj

Direttore tecnico, Regno Unito

Avdel UK Limited, Stanley House, Works Road, Letchworth Garden City, Hertfordshire, SG6 1JY REGNO UNITO

Luogo di pubblicazione: Letchworth Garden City, Regno Unito

Data di pubblicazione: 01-01-2021



Questo prodotto è conforme alla
Supply of Machinery (Safety) Regulations 2008,
S.I. 2008/1597, (e successive modifiche)

11. PROTEGGETE IL VOSTRO INVESTIMENTO!

GARANZIA DELL'UTENSILE DI INSTALLAZIONE PER ELEMENTI DI FISSAGGIO A STRAPPO Stanley® Engineered Fastening

STANLEY® Engineered Fastening garantisce che tutti gli elettroutensili sono stati fabbricati accuratamente e, in condizioni di utilizzo e manutenzione normali, saranno esenti da difetti materiali e di fabbricazione per un periodo di un (1) anno.

La presente garanzia si applica al primo acquirente dell'utensile che lo utilizzi esclusivamente per lo scopo previsto.

Esclusioni:

Usura normale

Gli interventi di manutenzione periodica, la riparazione o la sostituzione di parti richiesti per via della normale usura non sono coperti dalla presente garanzia.

Abuso e utilizzo improprio

Eventuali difetti o danni causati da impiego e conservazione impropri, utilizzo scorretto o abuso dell'attrezzo, accidentali o frutto di negligenza, quali i danni materiali, non sono coperti dalla presente garanzia.

Assistenza o modifica non autorizzata

Eventuali difetti o danni causati da interventi di assistenza, regolazione di prova, installazione o manutenzione, e alterazioni o modifiche di qualsiasi genere apportati da persone diverse dal personale STANLEY® Engineered Fastening o dai tecnici dei nostri centri di assistenza non sono coperti dalla presente garanzia.

Tutte le altre garanzie, espresse o implicite, inclusa qualsiasi garanzia di commerciabilità o idoneità a un particolare scopo, sono escluse.

Qualora questo utensile non soddisfi i requisiti sanciti dalla presente garanzia, restituirlo immediatamente al nostro centro di assistenza autorizzato più vicino. Per ricevere un elenco dei Centri di Assistenza STANLEY® Engineered Fastening autorizzati negli Stati Uniti o in Canada, chiamare il nostro numero verde (877)364 2781.

Al di fuori degli Stati Uniti e del Canada, visitare il nostro sito web www.StanleyEngineeredFastening.com per trovare il centro STANLEY Engineered Fastening più vicino.

STANLEY Engineered Fastening provvederà a sostituire, senza alcun costo, la parte o le parti da noi individuate come difettose a causa di difetti del materiale o di fabbricazione e restituirà l'utensile prepagato. Questo costituisce l'unico obbligo da parte nostra ai sensi della presente garanzia.

In nessun caso STANLEY Engineered Fastening sarà ritenuta responsabile per eventuali danni consequenziali o speciali derivanti dall'acquisto o dall'uso di questo attrezzo.

Registrate online il vostro Utensile di installazione per elementi di fissaggio a strappo.

Per registrare la garanzia online, visitare la pagina web

<https://www.stanleyengineeredfastening.com/support/warranty-registration-form>

Grazie per aver scelto un utensile a marchio Stanley Assembly Technologies di STANLEY® Engineered Fastening.

©2021 Stanley Black & Decker inc.
Wszelkie prawa zastrzeżone.

Przedstawionych tutaj informacji nie wolno reprodukować ani upubliczniać w żaden sposób i żadnymi środkami (elektronicznymi lub mechanicznymi) bez uprzedniej wyraźnej pisemnej zgody STANLEY Engineered Fastening. Przedstawione informacje są oparte o dane znane w momencie wprowadzenia produktu. STANLEY Engineered Fastening stosuje politykę ciągłego doskonalenia produktów, dlatego produkty mogą podlegać zmianie. Informacje przedstawione w niniejszym dokumencie dotyczą produktu dostarczonego przez STANLEY Engineered Fastening. Z tej przyczyny firma STANLEY Engineered Fastening nie ponosi odpowiedzialności za żadne szkody wynikające z modyfikacji oryginalnych danych technicznych produktu.

Dołożono wszelkich starań, aby informacje zawarte w niniejszym dokumencie były odpowiednie. Mimo tego, STANLEY Engineered Fastening nie ponosi odpowiedzialności za żadne błędy dotyczące treści ani ich konsekwencje. STANLEY Engineered Fastening nie ponosi odpowiedzialności za szkody spowodowane działaniem osób trzecich. Nazwy robocze, nazwy handlowe, zarejestrowane znaki towarowe itp. stosowane przez STANLEY Engineered Fastening stanowią własność odpowiednich właścicieli zgodnie z prawodawstwem dotyczącym ochrony znaków towarowych.

1. DEFINICJE DOTYCZĄCE BEZPIECZEŃSTWA	114
1.1 OGÓLNE ZASADY BEZPIECZEŃSTWA	114
1.2 ZAGROŻENIA ZWIĄZANE Z WYRZUCONYMI W POWIETRZE ELEMENTAMI.....	114
1.3 ZAGROŻENIA ZWIĄZANE Z OBSŁUGĄ.....	115
1.4 ZAGROŻENIA ZWIĄZANE Z POWTARZALNYMI RUCHAMI	115
1.5 ZAGROŻENIA ZWIĄZANE Z AKCESORIAMI	115
1.6 ZAGROŻENIA ZWIĄZANE Z MIEJSCEM PRACY	115
1.7 ZAGROŻENIA ZWIĄZANE Z HAŁASEM	116
1.8 ZAGROŻENIA ZWIĄZANE Z DRGANIAMI	116
1.9 DODATKOWE INSTRUKCJE BEZPIECZEŃSTWA DOTYCZĄCE NARZĘDZIA PNEUMATYCZNEGO I HYDRAULICZNEGO	116
2. DANE TECHNICZNE	117
2.1 DANE TECHNICZNE NARZĘDZIA 07536	117
2.2 DANE TECHNICZNE WZMACNIACZA 07531	117
3. PRZEZNACZENIE	118
3.1 WYMIARY NARZĘDZIA - MODEL 07536.....	118
4. ROZPOCZĘCIE EKSPLOATACJI	119
4.1 ZASILANIE POWIETRZEM.....	119
4.2 KURSORY PNEUMATYCZNE	120
4.3 ZAŁADUNEK I PONOWNY ZAŁADUNEK NARZĘDZIA	120
4.4 PROCEDURA OBSŁUGI.....	122
5. SERWISOWANIE NARZĘDZIA	123
5.1 PNEUMATYCZNA SKRZYŃKA STERUJĄCA.....	123
5.2 CODZIENNIE.....	123
5.3 CO TYDZIEŃ.....	123
5.4 SMAR MOLY LITHIUM EP 3753 - ZASADY BEZPIECZEŃSTWA	123
5.5 ZESTAW SERWISOWY	124
5.6 ZESPÓŁ KURSORA PNEUMATYCZNEGO, WZMACNIACZA I SKRZYŃKI STERUJĄCEJ 07536-02100	125
6. KONSERWACJA.....	126
6.1 DEMONTAŻ 07536-02200	126
6.2 OGÓLNY WIDOK MONTAŻOWY NARZĘDZIA PODSTAWOWEGO 07536-02200	129
6.3 LISTA CZĘŚCI NARZĘDZIA PODSTAWOWEGO 07536-02200	130
6.4 INSTRUKCJA DEMONTAŻU	131
6.5 OCHRONA ŚRODOWISKA.....	132
6.6 WZMACNIACZ 07531-02200.....	132
7. NAPEŁNIANIE WSTĘPNE	134
7.1 DANE OLEJU	134
7.2 DANE DOTYCZĄCE BEZPIECZEŃSTWA OLEJÓW HYPSPIN® VG32 I AWS 32.....	134
7.3 PROCEDURA NAPEŁNIANIA.....	134
8. DIAGNOSTYKA USTEREK.....	135
9. DEKLARACJA ZGODNOŚCI WE	137
10. DEKLARACJA ZGODNOŚCI DLA WLK. BRYT.	138
11. CHROŃ SWOJĄ INWESTYCJĘ!.....	139



Niniejszą instrukcję muszą przeczytać wszystkie osoby instalujące lub obsługujące to narzędzie, poświęcając szczególną uwagę poniższym zasadom bezpieczeństwa.



Podczas użytkowania narzędzia należy zawsze stosować okulary ochronne odporne na uderzenia. Klasa wymaganej ochrony powinna być oceniana niezależnie przy każdym użyciu.



Środki ochrony słuchu należy wykorzystywać zgodnie z instrukcjami pracodawcy oraz zgodnie z przepisami bezpieczeństwa i higieny pracy.



Użytkowanie narzędzia może narazić dłonie operatora na zagrożenia, w tym na zmiżdżenia, uderzenia, przecięcia, obtarcia i poparzenia. Stosować odpowiednie rękawice do ochrony dłoni.

1. DEFINICJE DOTYCZĄCE BEZPIECZEŃSTWA

Podane poniżej definicje określają stopień zagrożenia oznaczony danym słowem. Proszę przeczytać instrukcję i zwracać uwagę na te symbole.

⚠ NIEBEZPIECZEŃSTWO: Oznacza natychmiastowo niebezpieczną sytuację, która, jeśli jej się nie uniknie, spowoduje śmierć lub poważne obrażenia ciała.

⚠ OSTRZEŻENIE: Oznacza potencjalnie niebezpieczną sytuację, która, jeśli jej się nie uniknie, może spowodować śmierć lub poważne obrażenia ciała.

⚠ PRZESTROGA: Informuje o potencjalnym niebezpieczeństwie. Nieprzestrzeganie tego zalecenia może prowadzić do obrażeń ciała od lekkiego do średniego stopnia.

⚠ PRZESTROGA: Stosowana bez symbolu ostrzeżenia oznacza potencjalnie niebezpieczną sytuację, która, jeśli jej się nie uniknie, może spowodować uszkodzenie mienia.

Błędna eksploatacja lub konserwacja tego produktu może powodować poważne obrażenia ciała i uszkodzenie mienia. Należy przeczytać uważnie wszystkie ostrzeżenia i całość instrukcji obsługi przed rozpoczęciem użytkowania narzędzia. Podczas użytkowania elektronarzędzi zawsze powinno się postępować zgodnie z podstawowymi zasadami bezpieczeństwa, aby zmniejszyć ryzyko obrażeń ciała.

ZACHOWAĆ WSZYSTKIE OSTRZEŻENIA I INSTRUKCJE

1.1 OGÓLNE ZASADY BEZPIECZEŃSTWA

- W przypadku wielu zagrożeń, należy przeczytać i zrozumieć instrukcje dotyczące bezpieczeństwa przed instalacją, obsługą, naprawą, konserwacją, zmianą akcesoriów lub pracą w pobliżu narzędzia. W przeciwnym razie może dojść do poważnych obrażeń ciała.
- Narzędzie mogą instalować, regulować i używać wyłącznie wykwalifikowani i przeszkoleni operatorzy.
- NIE stosować niezgodnie z przeznaczeniem, które polega na instalacji nitów zrywalnych STANLEY Engineered Fastening.
- Stosować jedynie części, elementy złączne i akcesoria zalecane przez producenta.
- NIE modyfikować narzędzia. Modyfikacje mogą ograniczyć skuteczność zabezpieczeń i zwiększyć ryzyko dla operatora. Za wszelkie modyfikacje narzędzia wykonane przez klienta odpowiada wyłącznie klient. Wszelkie modyfikacje powodują unieważnienie wszelkich gwarancji.
- Nie wyrzucać instrukcji dotyczących bezpieczeństwa, lecz przekazać je operatorowi.
- Nie używać uszkodzonego narzędzia.
- Przed użyciem sprawdzić części ruchome pod kątem błędnego ustawienia, uszkodzenia części oraz każdego innego nieprawidłowego stanu, który może mieć wpływ na funkcjonowanie narzędzia. Jeśli narzędzie jest uszkodzone, przed ponownym użyciem przekazać je do naprawy. Przed użyciem zdemontować wszelkie klucze regulacyjne.
- Narzędzia należy okresowo sprawdzać, aby sprawdzić, czy symbole i oznaczenia wymagane przez odpowiednią część ISO 11148 są czytelne na narzędziu. Pracodawca/użytkownik musi skontaktować się z producentem w celu uzyskania zamiennych oznaczeń w razie potrzeby.
- Przeszkolony personel musi utrzymywać narzędzie w bezpiecznym stanie technicznym przez cały czas i regularnie sprawdzać je pod kątem uszkodzeń i prawidłowego działania. Demontaż może przeprowadzać jedynie przeszkolony personel. Nie demontować tego narzędzia bez wcześniejszego zapoznania się z instrukcją konserwacji.

1.2 ZAGROŻENIA ZWIĄZANE Z WYRZUCONYMI W POWIETRZE ELEMENTAMI

- Odłączyć narzędzie od dopływu powietrza przed rozpoczęciem jakichkolwiek prac konserwacyjnych, prób regulacji, montażu lub demontażu zespołu głowicy przedniej lub akcesoriów.
- Pamiętaj, że awaria obrabianego elementu lub akcesoriów, a nawet samego włożonego narzędzia, może spowodować wyrzucenie elementów w powietrze z wysoką prędkością.
- Podczas użytkowania narzędzia należy zawsze stosować okulary ochronne odporne na uderzenia. Klasa wymaganej ochrony powinna być oceniana niezależnie przy każdym użyciu.

- W tym momencie należy ocenić zagrożenia dla innych osób.
- Należy się upewnić, że obrabiany element jest odpowiednio zamocowany.
- Sprawdzić, czy środek ochrony przed wyrzuceniem elementu złącznego i/lub trzpienia jest zamontowany i sprawny.
- Ostrzec przed ewentualnym wyrzuceniem trzpieni z dużą siłą z przodu narzędzia.
- NIE obsługiwać narzędzia skierowanego w stronę osoby (osób).

1.3 ZAGROŻENIA ZWIĄZANE Z OBSŁUGĄ

- Użytkowanie narzędzia może narazić dłonie operatora na zagrożenia, w tym na zmiażdżenia, uderzenia, przecięcia, obtarcia i poparzenia. Stosować odpowiednie rękawice do ochrony dłoni.
- Operatorzy oraz personel dokonujący konserwacji muszą być zdolni fizycznie do obsługi wielkości, ciężaru i mocy narzędzia.
- Narzędzie należy trzymać prawidłowo; należy być gotowym na reagowanie na normalne lub nagłe ruchy — obie ręce muszą być w gotowości.
- Utrzymywać uchwyty narzędzia w stanie suchym, czystym i wolnym od oleju i smaru.
- Należy zachować równowagę ciała i stać stabilnie podczas obsługi narzędzia.
- Zwolnić urządzenie zatrzymujące i uruchamiające w razie przerwy w zasilaniu hydraulicznym.
- Używać wyłącznie środków smarnych zalecanych przez producenta.
- Unikać styczności z płynem hydraulicznym. Aby ograniczyć ryzyko wystąpienia wysypki, koniecznie dokładnie wypłukać miejsce styczności.
- Karty charakterystyki dla wszystkich olejów hydraulicznych i smarów są dostępne na żądanie u dostawcy narzędzi.
- Unikać nieodpowiednich pozycji ciała, ponieważ mogą one nie pozwalać na zareagowanie na normalny lub nieoczekiwany ruch narzędzia.
- Jeśli narzędzie jest podwieszane, dopilnować, aby było solidnie zamocowane.
- Uważać na ryzyko zmiażdżenia lub ściśnięcia, gdy zespół głowicy przedniej nie jest zamocowany.
- NIE obsługiwać narzędzia ze zdjętą obudową zespołu głowicy przedniej.
- Przed przejściem dalej zapewnić odpowiedni odstęp dla rąk operatora narzędzia.
- Podczas przenoszenia narzędzia z miejsca na miejsce trzymać ręce z dala od spustu, aby uniknąć niezamierzonego uruchomienia.
- NIE upuszczać narzędzia ani nie używać go jako młotka.
- Dopilnować, aby zużyte trzpienie nie stanowiły zagrożenia.

1.4 ZAGROŻENIA ZWIĄZANE Z POWTARZALNYMI RUCHAMI

- Podczas użytkowania elektronarzędzia może wystąpić uczucie dyskomfortu w dłoniach, ramionach, barkach, szyi lub innych częściach ciała operatora.
- Podczas korzystania z narzędzia operator powinien przyjąć wygodną pozycję ciała, jednocześnie utrzymując solidne podparcie stóp oraz unikać nietypowych i niezapewniających równowagi pozycji. Operator powinien zmieniać pozycję ciała podczas wykonywania długich zadań. Może to pomóc w uniknięciu uczucia dyskomfortu oraz zmęczenia.
- W przypadku wystąpienia objawów, takich jak trwałe lub nawracające uczucie dyskomfortu, ból, pulsowanie, drętwienie, bezwład, pieczenie lub sztywność, nie należy ignorować tych sygnałów ostrzegawczych. Operator musi natychmiast powiadomić o tym pracodawcę i zasięgnąć porady lekarza.

1.5 ZAGROŻENIA ZWIĄZANE Z AKCESORIAMI

- Odłączyć narzędzie od dopływu powietrza przed zamontowaniem lub zdjęciem zespołu głowicy przedniej lub akcesorium.
- Używać wyłącznie akcesoriów i materiałów eksploatacyjnych o rozmiarach i typów zalecanych przez producenta narzędzia. Nie używać akcesoriów ani materiałów eksploatacyjnych innych rozmiarów i typów.

1.6 ZAGROŻENIA ZWIĄZANE Z MIEJSCEM PRACY

- Głównymi przyczynami obrażeń ciała w miejscu pracy są poślizgnięcia się, potknięcia i upadki. Uważać na śliskie powierzchnie powstałe w wyniku użytkowania narzędzia i pamiętać o zagrożeniu upadkiem w wyniku potknięcia się o przewód powietrzny lub wąż hydrauliczny.
- W nieznanym otoczeniu należy postępować ostrożnie. Mogą występować ukryte niebezpieczeństwa, takie jak przewody elektryczne lub innego typu.
- Narzędzie nie jest przeznaczone do użytku w potencjalnie wybuchowej atmosferze oraz nie posiada izolacji chroniącej w przypadku zetknięcia się z zasilaniem elektrycznym.
- Należy się upewnić, że w miejscu pracy nie występują przewody elektryczne, rury z gazem itp., które mogą stanowić zagrożenie w przypadku uszkodzenia ich przez narzędzie.
- Należy ubrać się odpowiednio. Nie zakładać luźnych ubrań ani biżuterii. Włosy, ubranie i rękawice trzymać z dala od ruchomych części. Luźne ubranie, biżuteria lub włosy mogą zostać wciągnięte przez ruchome części.
- Dopilnować, aby zużyte trzpienie nie stanowiły zagrożenia.

1.7 ZAGROŻENIA ZWIĄZANE Z HAŁASEM

- Narażenie na wysokie poziomy hałasu może spowodować trwałą utratę słuchu i inne problemy, takie jak szumy uszne (dzwonienie, brzęczenie, świst lub szum w uszach). Dlatego bardzo ważna jest ocena ryzyka i wdrożenie odpowiednich środków ochrony przed tymi zagrożeniami.
- Odpowiednie środki ochrony mogą obejmować podjęcie kroków, takich jak zastosowanie materiałów tłumiących, aby obrabiane elementy nie „dzwoniły”.
- Środki ochrony słuchu należy wykorzystywać zgodnie z instrukcjami pracodawcy oraz zgodnie z przepisami bezpieczeństwa i higieny pracy.
- Obsługiwać i konserwować narzędzie zgodnie z zaleceniami w instrukcji obsługi, aby zapobiec niepotrzebnemu zwiększeniu poziomu hałasu.

1.8 ZAGROŻENIA ZWIĄZANE Z DRGANIAMI

- Narażenie na drgania może spowodować uszkodzenie nerwów i naczyń krwionośnych w dłoniach i rękach.
- Podczas pracy w zimnych warunkach należy założyć ciepłą odzież, a dłonie utrzymywać ciepłe i suche.
- Jeśli w palcach lub dłoniach pojawi się uczucie drętwienia, pulsowania lub bólu, lub też skóra będzie bieleć, należy zaprzestać użytkowania narzędzia, powiadomić pracodawcę o zaistniałej sytuacji i zasięgnąć porady lekarza.
- Jeśli to możliwe, opierać ciężar narzędzia na stojaku, elemencie napinającym lub wyważającym, ponieważ wtedy narzędzia nie trzeba trzymać tak mocno.

1.9 DODATKOWE INSTRUKCJE BEZPIECZEŃSTWA DOTYCZĄCE ELEKTRONARZĘDZI PNEUMATYCZNYCH I HYDRAULICZNYCH

- Ciśnienie dopływu powietrza roboczego nie może przekraczać 7 barów (100 PSI).
- Powietrze pod ciśnieniem może spowodować poważne obrażenia ciała.
- Nigdy nie pozostawiać włączonego narzędzia bez nadzoru. Odłączyć wąż powietrzny od narzędzia, gdy narzędzie nie jest w użytku, przed zmianą akcesoriów lub na czas wykonywania napraw.
- NIE kierować otworu wylotowego powietrza na kolektorze trzpieni na operatora ani inne osoby. Nigdy nie kierować strumienia powietrza na siebie ani inne osoby.
- Uderzający jak bicz i podskakujący wąż może spowodować poważne obrażenia ciała. Zawsze sprawdzać pod kątem uszkodzonych lub luźnych węży i złączy.
- Przed użyciem sprawdzić przewody powietrzne pod kątem uszkodzeń. Wszystkie złącza muszą być dobrze zamocowane. Nie upuszczać ciężkich przedmiotów na węże. Silne uderzenie może spowodować uszkodzenia wewnętrzne i prowadzić do przedwczesnej usterki węża.]
- Kierować zimne powietrze z dala od dłoni.
- Kiedykolwiek korzysta się z uniwersalnych złączy wkręcanych, należy zamontować zawleczki zabezpieczające i korzystać z linek zabezpieczających przed biciem węży, aby chronić się w razie awarii połączenia z wężem z narzędziem lub węża z wężem.
- NIE podnosić narzędzia za wąż. Zawsze używać uchwytu narzędzia.
- Chronić otwory wentylacyjne przed zatkaniem lub zasłonięciem.
- Chronić układ hydrauliczny narzędzia przed zanieczyszczeniami i ciałami obcymi, ponieważ mogą one spowodować usterkę narzędzia.
- Olej pod ciśnieniem może spowodować poważne obrażenia ciała.
- Przed użyciem sprawdzić węże hydrauliczne pod kątem uszkodzeń. Wszystkie połączenia hydrauliczne muszą być czyste, całkowicie podłączone i szczelne przed rozpoczęciem pracy. Nie upuszczać ciężkich przedmiotów na węże. Silne uderzenie może spowodować uszkodzenia wewnętrzne i prowadzić do przedwczesnej usterki węża.
- NIE ciągnąć ani nie przesuwac wzmacniacza przy pomocy węży. Zawsze używać uchwytu urządzenia.
- Stosować wyłącznie czysty olej i czysty sprzęt do napełniania olejem.
- Wolno stosować wyłącznie zalecane oleje hydrauliczne.
- Maksymalna temperatura oleju hydraulicznego na wlocie to 100°C (212°F).

⚠ OSTRZEŻENIE: Występowanie małego zużycia oraz śladów eksploatacyjnych jest normalnym objawem eksploatacji trzpieni. Mimo to konieczne jest regularne kontrolowanie stopnia ich zużycia ze szczególnym uwzględnieniem średnicy głowicy, obszaru tylnych szczęk zacisku trzpieni oraz ew. wyrwania materiału trzpieni oraz odkształceń trzpieni. Uszkodzone trzpienie mogą zostać gwałtownie wyrzucone przez narzędzie. Obowiązkiem użytkownika jest zapewnienie wymiany trzpieni przed ich nadmiernym zużyciem oraz zawsze przed wykonaniem przez ten trzpień maksymalnej, dopuszczalnej liczby cykli roboczych. Prosimy o kontakt z przedstawicielem STANLEY Engineered Fastening w celu ustalenia tej liczby na podstawie pomiaru obciążenia rozszerzającego/promieniowego występującego w danym zastosowaniu i z użyciem naszego specjalnego, skalibrowanego narzędzia pomiarowego.

Firma STANLEY Engineered Fastening stosuje politykę ciągłego doskonalenia produktów i zastrzega sobie prawo do zmiany danych technicznych produktu bez uprzedzenia.

2. DANE TECHNICZNE

2.1 DANE TECHNICZNE NARZĘDZIA 07536

Ciśnienie powietrza	Minimum - maksimum	5-7 barów (70-100 lbf/in ²)
Wymagany swobodny przepływ powietrza	przy 5,1 barach/75 lbf/in ²	2,6 litra (0,09 ft ³)
Skok	minimalny	25 mm (1")
Siła zaciągania	przy 5,5 barach/80 lbf/in ²	3,89 kN (875 lbf)
Czas cyklu	około	1 sekunda
Ciężar	Narzędzie pistoletowe	1,2 kg (2,64 lb)

2.2 DANE TECHNICZNE WZMACNIACZA 07531

Ciśnienie powietrza	Minimum - maksimum	5-7 barów (70-100 lbf/in ²)
Stopień wzmacniania		32:1

Wartości hałasu określono zgodnie z testami z norm ISO 15744 i ISO 3744.		07536
Skorygowany charakterystyką A poziom mocy akustycznej dB(A), L _{WA}	Niepewność pomiaru hałasu: k _{WA} = 2,3 dB(A)	79,5 dB(A)
Poziom emitowanego ciśnienia akustycznego na stanowiskach pracy skorygowanego charakterystyką A dB(A), L _{pA}	Niepewność pomiaru hałasu: k _{pA} = 2,3 dB(A)	68,5 dB(A)
Szczytowy poziom emisji ciśnienia akustycznego skorygowanego charakterystyką C dB(C), L _{pC'} szczytowe	Niepewność pomiaru hałasu: k _{pC} = 2,5 dB(C)	96,9 dB(C)
Wartości drgań określono zgodnie z testami drgań z norm ISO 20643 i ISO 5349.		07536
Poziom emisji drgań, a _{hd} :	Niepewność pomiaru drgań: k = 0,25 m/s ²	0,97 m/s ²
Deklarowane wartości emisji drgań zgodnie z EN 12096		

3. PRZEZNACZENIE

Narzędzie pneumatyczne 07536 to ręczne, lekkie narzędzie przeznaczone do instalacji elementów złącznych 1/16" Avlug®, dzięki czemu jest ono idealne przystosowane do montażu partiami lub w linii w szerokim zakresie zastosowań i w wielu branżach przemysłowych.

Narzędzie ręczne i wzmacniacz zostały przetestowane oddzielnie i połączone. Wolno ich używać wyłącznie razem i nie wolno ich używać do innych celów. Patrz „Rozpoczęcie eksploatacji” na stronie 119-122, aby uzyskać informacje na temat łączenia.

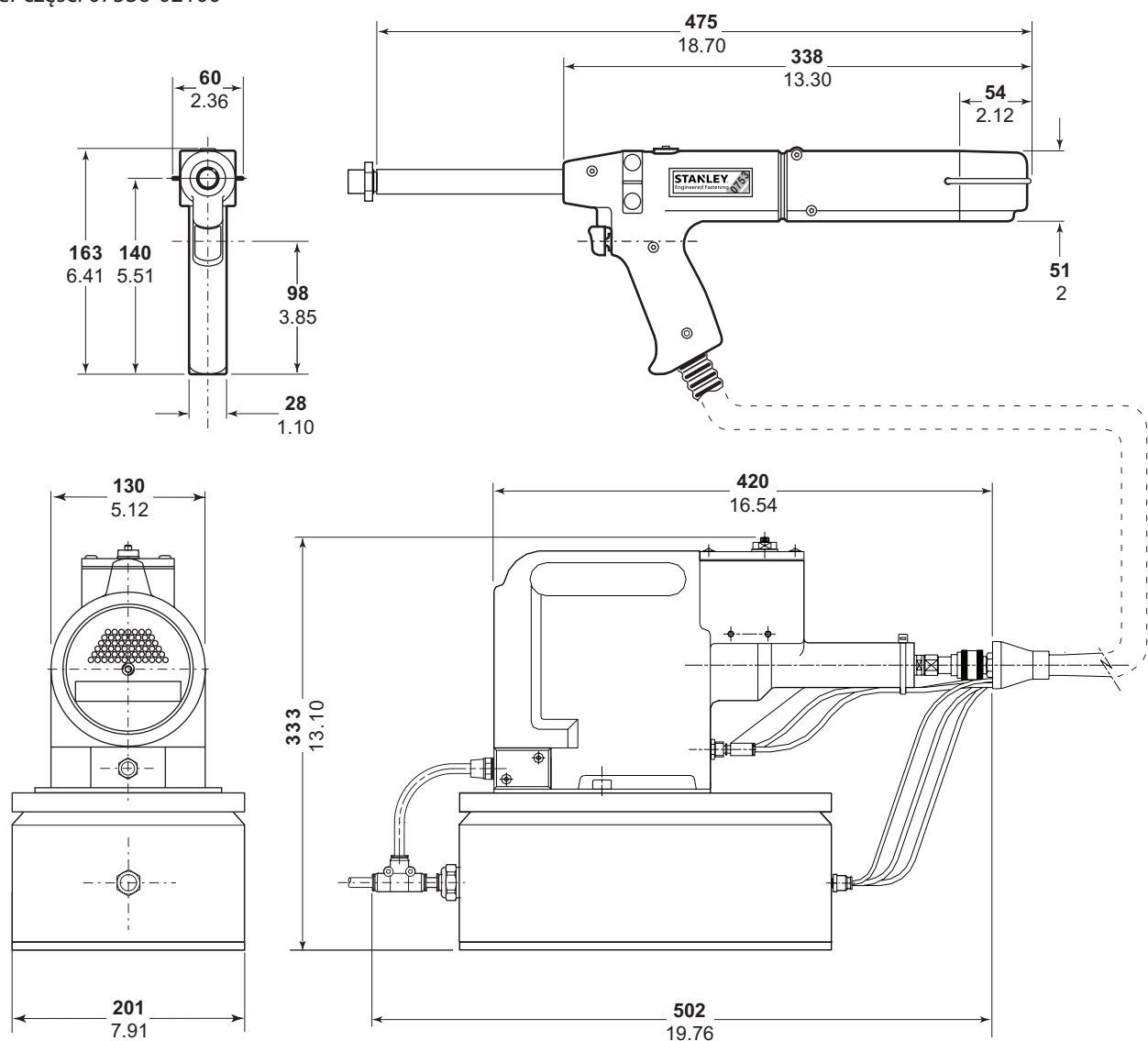
Zamieszczone numery części umożliwiają zestawienie narzędzia bez wyposażenia końcówki czołowej.

Numer narzędzia dla modelu 07536 to 07536-02200.
Patrz ogólne rysunki montażowe na stronach 125-133.

NIE używać w obecności wody ani łatwopalnych płynów lub gazów.

3.1 WYMIARY NARZĘDZIA - MODEL 07536

Numer części 07536-02100



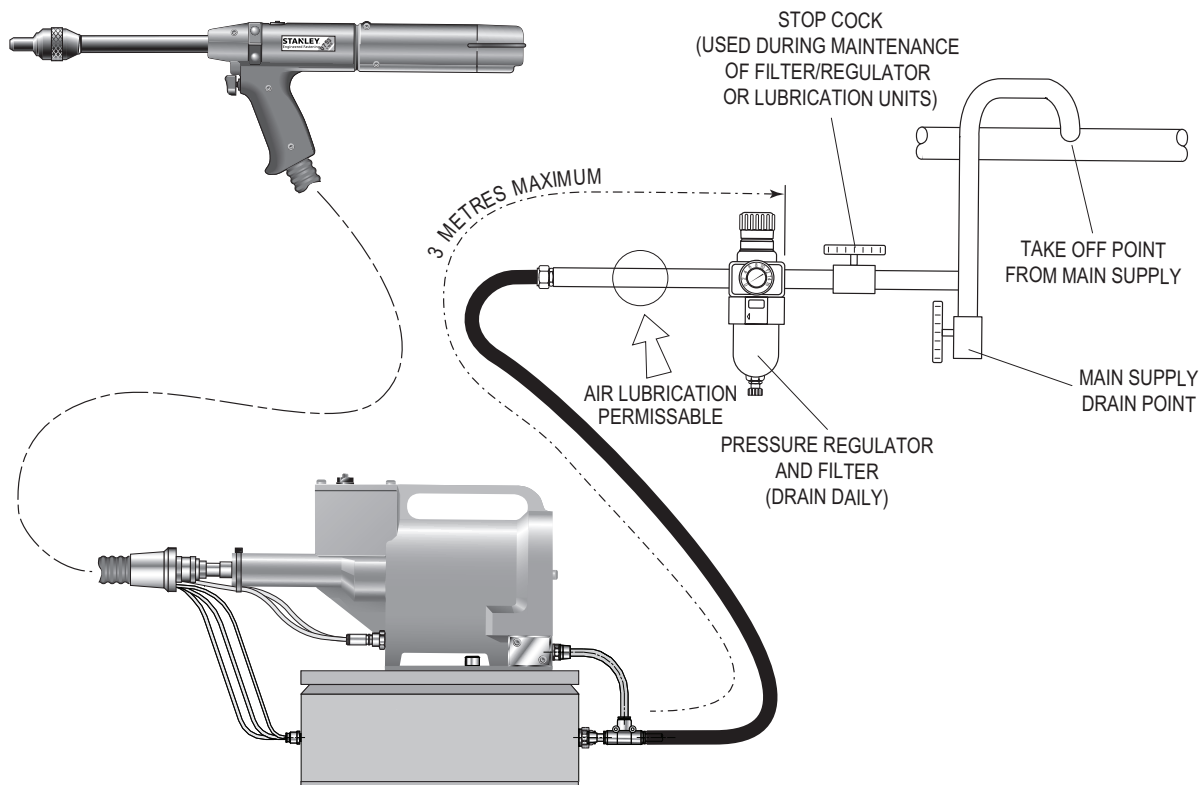
Wymiary w mm.

4. ROZPOCZĘCIE EKSPLOATACJI

4.1 ZASILANIE POWIETRZEM

Wszystkie narzędzia są zasilane sprężonym powietrzem o optymalnym ciśnieniu 5,5 bara. Zalecamy stosowanie regulatorów ciśnienia i automatycznych systemów smarujących/filtracyjnych głównego zasilania pneumatycznego. Aby zapewnić maksymalną trwałość narzędzia i ograniczyć jego konserwację do minimum, powyższe urządzenia należy zamontować w odległości do 3 metrów od narzędzia (patrz schemat poniżej).

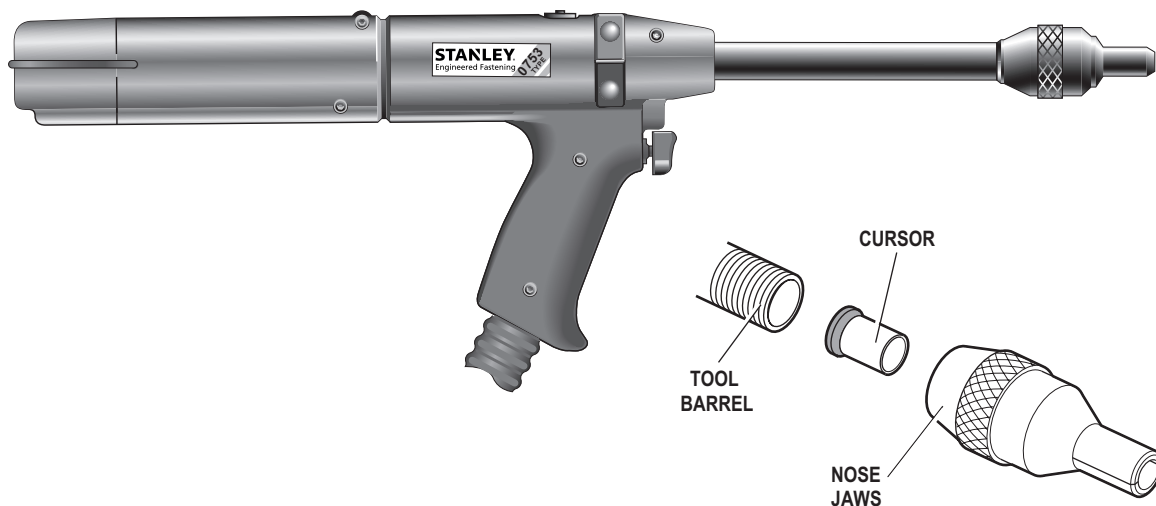
Minimalne, skuteczne ciśnienie robocze węży pneumatycznych winno wynosić 150% maksymalnego ciśnienia wytwarzanego w układzie lub 10 bar, w zależności od tego, która wartość jest wyższa. •Węże pneumatyczne muszą być olejoodporne, mieć powierzchnię zewnętrzną odporną na ścieranie oraz być opancerzone, jeśli warunki pracy mogą prowadzić do uszkodzenia węża. Wszystkie węże powietrzne **MUSZĄ** mieć minimalną średnicę wewnętrzną 6,4 mm lub 1/4 cala.



Postępować zgodnie z poniższą procedurą podczas podłączania narzędzia do wzmacniacza i głównego zasilania powietrzem:

- Wepchnąć koniec dużego węża hydraulicznego prowadzącego od narzędzia w szybkozłączkę na końcu wzmacniacza.
- Na przedniej powierzchni czołowej wzmacniacza (patrz strona 125):
 - Wepchnąć niebieski przewód pneumatyczny (o średnicy zewnętrznej 4 mm) w złączkę redukcyjną znajdującą się w lewej złączce przechodzącej przez ściankę.
 - Wepchnąć czarny przewód pneumatyczny (o średnicy zewnętrznej 4 mm) w plastikową tuleję znajdującą się w prawej złączce przechodzącej przez ściankę.
- Na przedniej powierzchni czołowej skrzynki sterującej (patrz strona 125):
 - Wepchnąć srebrny przewód pneumatyczny (o średnicy zewnętrznej 3 mm) w złączkę redukcyjną oznaczoną „Cursor” (Kursor) na przedniej powierzchni czołowej skrzynki sterującej - po stronie lewej.
 - Wepchnąć zielony przewód pneumatyczny (o średnicy zewnętrznej 4 mm) w złączkę redukcyjną oznaczoną „Tail Jaws” (szczęki tylne) na przedniej powierzchni czołowej skrzynki sterującej - pośrodku.
 - Wepchnąć biały przewód pneumatyczny (o średnicy zewnętrznej 4 mm) w złączkę redukcyjną oznaczoną „Signal” (Sygnał) na przedniej powierzchni czołowej skrzynki sterującej - po stronie prawej.
- Zamontować wąż pneumatyczny między męską złączką z tyłu wzmacniacza a głównym zasilaniem pneumatycznym.

4.2 KURSORY PNEUMATYCZNE



Wybór kursora pneumatycznego

Patrz oddzielna karta danych 07900-00863, aby uzyskać informacje na temat komponentów zespołu głowicy przedniej.

KURSOR

WAŻNA INFORMACJA

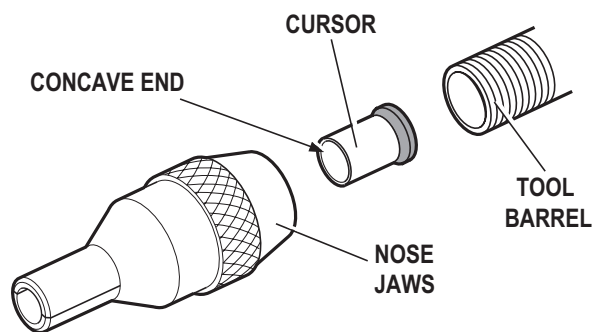
Nieprawidłowe zamocowanie spowoduje uniemożliwienie załadunku narzędzia oraz podawania elementów łącznych przez kursor.

W przypadku, gdy kursor jest zamontowany w momencie dostarczenia narzędzia, zalecamy przeprowadzenie kontroli prawidłowości jego ustawienia przed zamontowaniem osprzętu głowicy czołowej. Lekko wklęsła końcówka kursora powinna być skierowana ku przodowi narzędzia w sposób przedstawiony na ilustracji.

W celu zmiany ustawienia kursora wykonać następujące czynności:

Zachować szczególną ostrożność podczas przeprowadzania poniższej procedury. Zachować ostrożność, aby unikać tutei i wystającego trzpienia.

- Zdemontować zespół głowicy przedniej, jeśli jest zamontowany.
- Włożyć pusty trzpień do narzędzia.
- Zamknąć szczęki tylne **32**, przestawiając przełącznik szczęk tylnych w położenie włączone (komponenty **18** i **19**).
- Kursor po chwili wyskoczy z tulei.
- Otworzyć szczęki tylne **32**, przestawiając przełącznik szczęk tylnych w położenie włączone (komponenty **18** i **19**), co spowoduje zwolnienie trzpienia.
- Wyjąć kursor z trzpienia i włożyć kursor w tuleję.



4.3 ZAŁADUNEK I PONOWNY ZAŁADUNEK NARZĘDZIA

WAŻNA INFORMACJA

Procedura załadunku i rozładunku narzędzia oraz montażu osprzętu głowicy czołowej narzędzia jest operacją integralną.

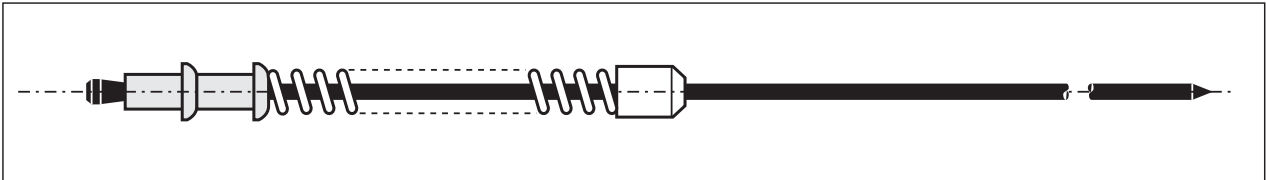
W trakcie zamawiania kompletnego systemu narzędzia, cały osprzęt głowicy czołowej zostanie także dostarczony z uwzględnieniem stosowanego elementu łącznego.

Jeśli wraz z narzędziem dostarczono szczękę czołową, trzpień i sprężyny docisku trzpienia, załadować narzędzie i zamontować osprzęt głowicy czołowej zgodnie z informacjami pokazanymi poniżej.

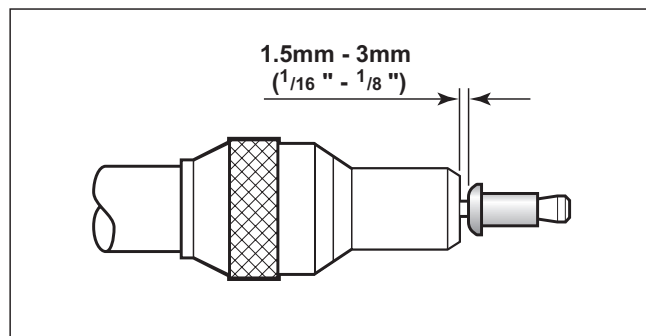
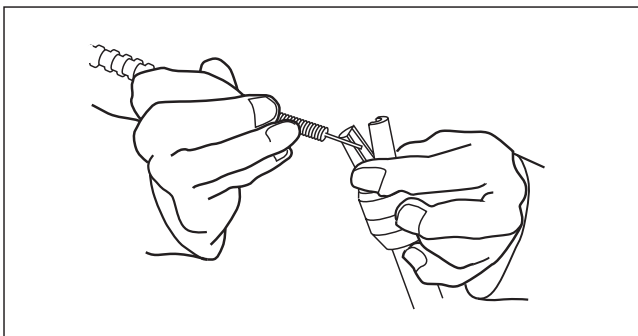
Pozycje oznaczone **pogrubioną** czcionką dotyczą ogólnego montażu oraz listy części dla modelu 07536-02200, przedstawionych na stronach 129-130.

Załadunek narzędzia

- Podłączyć zasilanie pneumatyczne do narzędzia.
- Otworzyć szczęki tylne **32** chwytające trzpień, przestawiając przełącznik szczęk tylnych w położenie wyłączone (komponenty **18** i **19**).
- Wkręcić wybrane szczęki czołowe na tuleję **44** narzędzia.
- * Włożyć trzpień w tylny koniec elementu złącznego przez kawałek papieru.
- Wsunąć sprężynę docisku trzpienia na trzpień, zwracając uwagę na prawidłową orientację.



- Chwytnąc tylną część trzpienia, oderwać papier widoczny wokół elementów złącznych.
- Otworzyć szczęki czołowe obracając zewnętrzny pierścień w szczękach poruszanych krzywką lub wypychając końce szczęk na zewnątrz zgodnie z ilustracją poniżej po lewej stronie.
- Wkładać wcześniej zmontowany trzpień, sprężynę docisku trzpienia i elementy złączne w szczęki czołowe, aż pierwszy element złączny od instalacji będzie wystawać ze szczęki czołowej.
- Zamknąć szczęki czołowe i wyregulować je tak, aby pierwszy element złączny wystawał na odległość 1,5 mm - 3 mm ($1/16''$ - $1/8''$) w sposób przedstawiony na ilustracji znajdującej się poniżej po prawej stronie.
- Zamknąć szczęki tylne **32**, dopilnowując by trzpień został pochwycony, przestawiając przełącznik szczęk tylnych w położenie włączone (komponenty **18** i **19**).

**Ponowny załadunek narzędzia**

- Otworzyć szczęki tylne **32** narzędzia, wyłączając szczęki tylne (komponenty **18** i **19**).
- Otworzyć szczęki czołowe i wyciągnąć pusty trzpień oraz sprężynę docisku trzpienia z narzędzia.
- Przeprowadzić ponowny załadunek narzędzia zgodnie z powyższymi instrukcjami i rozpoczynając od kroku *.

Ustawianie narzędzia - tylko regulowane zespoły głowicy przedniej

Włożyć uprzednio zmontowany trzpień (patrz Załadunek narzędzia *) lub jednorazowy trzpień, aby oprzeć go o ogranicznik w zespole tłoka szczęki tylnej **60**.

Trzymając trzpień, zamknąć szczęki tylne **32** chwytające trzpień, przestawiając przełącznik szczęk tylnych w położenie włączone (komponenty **18** i **19**).

Nakręcić nakrętkę zabezpieczającą na tuleję **44** narzędzia.

Obrócić zespół głowicy przedniej na tulei **44**.

Wyregulować zespół głowicy przedniej, aby pierwszy element złączny wystawał na odległość 1,5 mm-3 mm ($1/16''$ - $1/8''$), zgodnie z ilustracją na stronie 121.

Dokręcić nakrętkę zabezpieczającą do zespołu głowicy przedniej, aby zespół szczęki czołowej nie poruszał się.

Pozycje oznaczone **pogrubioną** czcionką dotyczą ogólnego montażu oraz listy części dla modelu 07536-02200, przedstawionych na stronach 129-130.

Ponowny załadunek narzędzia

Otworzyć szczęki tylne narzędzie, przestawiając przełącznik szczęk tylnych w położenie wyłączone (**18-19**).

Otworzyć szczęki i wyciągnąć pusty trzpień oraz sprężynę docisku trzpienia z narzędzia.

Włożyć nowy trzpień, dociskając go do ogranicznika w narzędziu, po czym zamknąć szczęki tylne **32** chwytające trzpień, przestawiając przełącznik szczęk tylnych w położenie włączone (komponenty **18** i **19**).

Zamknąć szczęki tylne **32**.

4.4 PROCEDURA OBSŁUGI

WAŻNA INFORMACJA

Przed próbą uruchomienia narzędzia konieczne sprawdzić, czy orientacja kursora i osprzęt głowicy czołowej są prawidłowe.

- Wcisnąć element złączny wystający ze szczęk czołowych całkowicie w otwory w obrabianym elemencie i sprawdzić, czy narzędzie jest przytrzymywane prostopadle.
- Nacisnąć spust i nie zwalniać go - łeb trzpienia zostanie przeciągnięty przez element złączny, odkształcając element złączny i mocując go w obrabianym elemencie.
- Odsunąć narzędzie.
- Zwolnić spust. Kolejny element złączny zostanie automatycznie dostarczony do szczęk czołowych i będzie gotowy do instalacji.

5. SERWISOWANIE NARZĘDZIA

Zalecamy przeprowadzanie regularnego serwisowania. Szczegółowy przegląd należy przeprowadzać raz na rok lub co 500 000 cykli, w zależności od tego, co wystąpi wcześniej.

WAŻNA INFORMACJA

Pracodawca odpowiada za przekazanie instrukcji konserwacji narzędzia właściwemu personelowi. Operator nie może uczestniczyć w konserwacji lub naprawie narzędzia, jeśli nie został prawidłowo przeszkolony.

5.1 PNEUMATYCZNA SKRZYŃKA STERUJĄCA

WAŻNA INFORMACJA

Pod żadnym pozorem nie wolno otwierać skrzynki pneumatycznej. Skrzynka jest elementem zamkniętym. Elementy są fabrycznie wyregulowane wewnątrz i nie wolno ich modyfikować ani nimi manipulować. Tę skrzynkę sterującą może demontować wyłącznie autoryzowany personel firmy STANLEY Engineered Fastening.



PRZESTROGA: Nigdy nie wolno używać rozpuszczalników ani innych agresywnych środków chemicznych do czyszczenia części narzędzia niewykonanych z metalu. Takie środki chemiczne mogą osłabić materiał, z jakiego wykonano te części.

5.2 CODZIENNIE

- Codziennie przed rozpoczęciem pracy lub uruchamiając narzędzie po raz pierwszy. Wlać kilka kropli czystego oleju smarującego do wlotu powietrza wzmacniacza, jeżeli zasilanie pneumatyczne nie jest wyposażone w system smarowania. Jeśli urządzenie jest używane w sposób ciągły, wąż powietrzny należy odłączać od głównego dopływu powietrza i smarować narzędzie co dwie do trzech godzin.
- Sprawdzić, czy nie występują wycieki powietrza i oleju. Wymienić uszkodzone węże i złącza.
- Jeśli regulator ciśnienia nie jest wyposażony w filtr, opróżnić przewód powietrzny, aby oczyścić go z nagromadzonych zanieczyszczeń lub wody przed podłączeniem węża powietrznego do wzmacniacza. Jeśli zamontowany jest filtr, spuścić z niego wodę.
- Sprawdzić czy zastosowano prawidłowy osprzęt głowicy czołowej.
- Regularnie sprawdzać, czy nie doszło do zużycia lub uszkodzenia trzpieni, obserwując kilka kolejnych połączeń (przeczytać instrukcje dotyczące bezpieczeństwa na stronie 114-116).

5.3 CO TYDZIEŃ

- Wykonać opisane powyżej „codzienne” czynności kontrolne.
- Zdemontować, sprawdzić, oczyścić i nasmarować szczęki tylne (patrz „Cylinder szczęki tylnej” w rozdziale „Konserwacja” na stronie 126).
- Sprawdzić, czy olej w zbiorniku wzmacniacza sięga w przybliżeniu do poziomu 12 mm (1/2”) poniżej przezroczystej płytki pokrywy.

5.4 SMAR MOLY LITHIUM EP 3753 - ZASADY BEZPIECZEŃSTWA

Smar może zostać zamówiony jako oddzielna pozycja, numer części jest zamieszczony w punkcie „Zestaw serwisowy” na stronie 124.

Pierwsza pomoc

SKÓRA:

Ponieważ smar jest całkowicie wodoodporny, najlepiej usuwać go atestowanym emulgującym środkiem do czyszczenia skóry.

SPOŻYCIE:

Dopilnować, aby osoba, która spożyła smar, wypila 30 ml mleka magnezowego, najlepiej zmieszanego z kubkiem mleka.

OCZY:

Działa drażniąco, ale nie jest szkodliwy. Przepłukać wodą i uzyskać pomoc lekarską.

Pożar

TEMPERATURA ZAPŁONU: Powyżej 220°C.

Niesklasyfikowany jako palny.

Odpowiednie środki gaśnicze: CO₂, halon lub rozpylona woda stosowane przez doświadczonego operatora.

Środowisko naturalne

Zebrać w celu spalenia lub utylizacji w odpowiednim zakładzie.

Postępowanie

Używać kremu ochronnego lub rękawic olejodpornych.

Przechowywanie

Z dala od gorąca i środków utleniających.

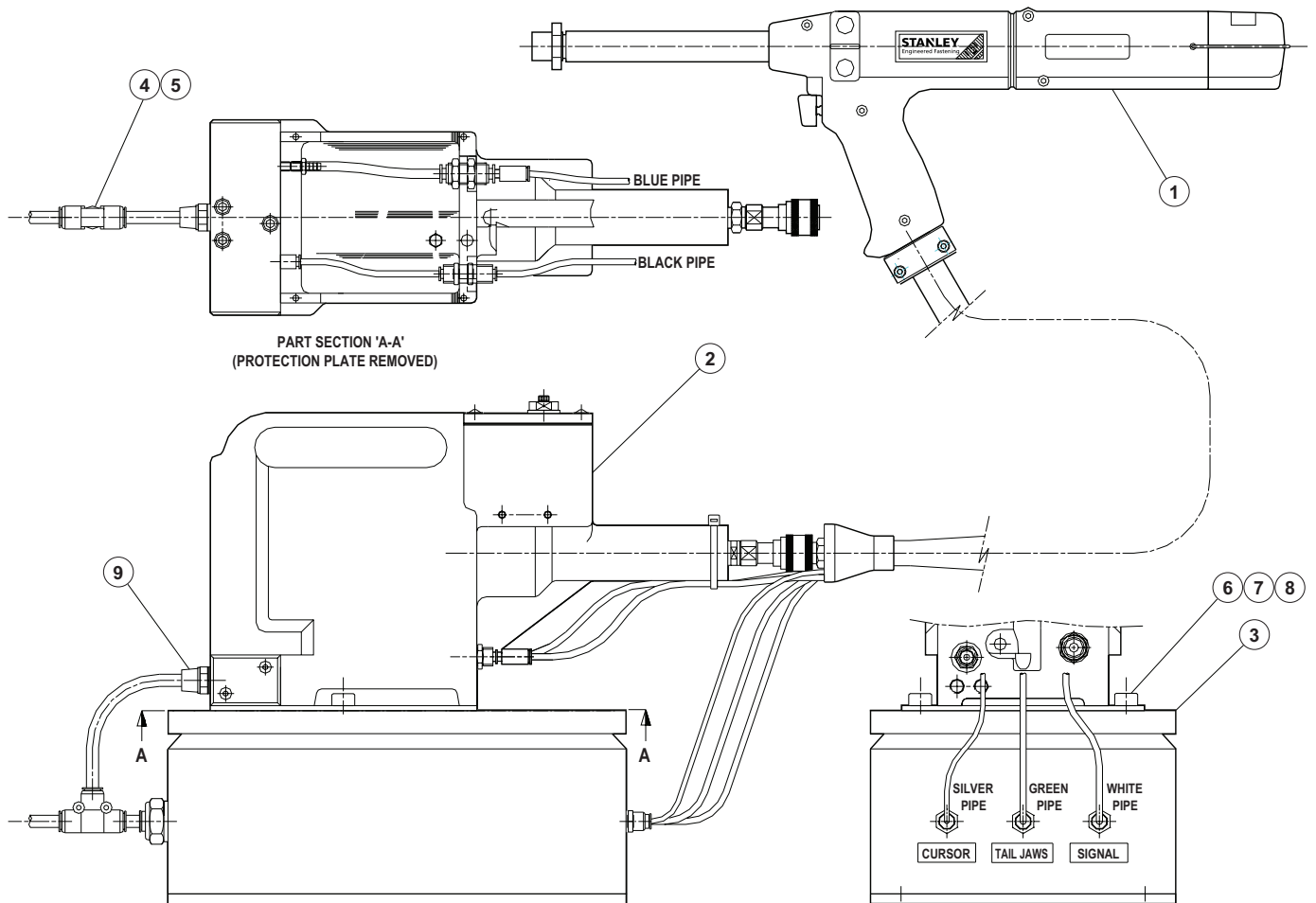
5.5 ZESTAW SERWISOWY

Do wszelkich prac serwisowych zalecamy stosować zestaw serwisowy (nr części 07900-05300).

ZESTAW SERWISOWY					
NR CZĘŚCI ELEMENTU	OPIS	LICZBA SZT.	NR CZĘŚCI ELEMENTU	OPIS	LICZBA SZT.
07900-00157	SZCZYPCE DO SPRĘŻYNOWYCH PIERŚCIENI ZABEZPIECZAJĄCYCH	1	07900-00352	HAK DO USUWANIA USZCZELEK	1
07900-00006	ŁOPATKA	1	07900-00710	KLUCZ DO DEMONTAŻU ZAŚLEPKI TULEI	1
07900-00446	ŚCIAĞACZ	1	07900-00725	GRUSZKA	1
07900-00603	SZCZĘKI IMADŁA	1	07900-00243	ŚRUBOKRĘT	1
07900-00520	TRZPIEŃ 3/8"	1	07900-00717	KLUCZ DO WZMACNIACZA	1
07900-00521	TRZPIEŃ 1/4"	1	07900-00013	KLUCZ IMBUSOWY 1/8"	1
07900-00602	GRUSZKA DO MONTAŻU PIERŚCIENIA USZCZELNIAJĄCEGO	1	07900-00617	ZESTAW LOCTITE® MULTI-GASKET 574 50 ml	1
07900-00595	KLUCZ MASZYNOWY 18 mm	1	07900-00469	KLUCZ IMBUSOWY 2,5 mm	1
07900-00434	KLUCZ MASZYNOWY 32 mm	1	07900-00351	KLUCZ IMBUSOWY 3 mm	1
07900-00237	3/8" × 5/16" B.S.W. KLUCZ MASZYNOWY	1	07900-00224	KLUCZ IMBUSOWY 4 mm	1
07900-00012	KLUCZ 9/16" × 5/8"	1	07900-00225	KLUCZ IMBUSOWY 5 mm	1
07900-00008	KLUCZ 7/16" × 1/2"	1	07992-00020	PUSZKA 80 g SMARU MOLY LITHIUM EP 3753	1

Uwaga: Rozmiary kluczy zostały zmierzone w poprzek powierzchni płaskich, jeśli nie podano inaczej.

5.6 ZESPÓŁ KURSORA PNEUMATYCZNEGO, WZMACNIACZA I SKRZYNKI STERUJĄCEJ 07536-02100



POZ.	NR CZĘŚCI	OPIS	LICZBA SZT.
1	07536-02200	NARZĘDZIE RĘCZNE Z KURSOREM PNEUMATYCZNYM	1
2	07531-02200	WZMACNIACZ NARZĘDZIA	1
3	07007-02024	SKRZYNKA STERUJĄCA KURSORA PNEUMATYCZNEGO	1
4	07005-10071	ZŁĄCZKA T	1
5	07005-10072	RURKA 8 MM (2,50 m)	1
6	74405-12080	ZMODYFIKOWANY ELEMENT NUTSERT M8	8
7	07001-00469	ŚRUBA Z ŁBEM WALCOWYM Z GNIAZDEM M8 × 15	2
8	07002-00105	PODKŁADKA M8	4
9	07005-01573	RURA ZE ZŁĄCZKĄ MĘSKĄ 8 MM	1
10	07005-01977	ZŁĄCZKA REDUKCYJNA MĘSKA/ŻEŃSKA 6 MM/4 MM	1

6. KONSERWACJA

Po wykonaniu 500 000 cykli narzędzie należy całkowicie rozmontować i zastosować nowe komponenty w przypadku stwierdzenia zużycia, uszkodzenia lub gdy istnieją zalecenia nakazujące dokonanie wymiany. Wszystkie pierścienie uszczelniające i uszczelki wymienić i nasmarować smarem Moly Lithium EP 3753 przed montażem.

WAŻNA INFORMACJA

Instrukcje bezpieczeństwa są podane na str. 4.

Pracodawca odpowiada za przekazanie instrukcji konserwacji narzędzia właściwemu personelowi.

Operator nie może uczestniczyć w konserwacji lub naprawie narzędzia, jeśli nie został prawidłowo przeszkolony.

Przewód powietrzny należy odłączyć przed każdą operacją serwisową lub demontażem, chyba że w instrukcji wyraźnie podano inaczej.

Wszelkie operacje demontażu mogą być przeprowadzone po zapewnieniu odpowiedniej czystości.

Przed demontażem narzędzia konieczne będzie zdemontowanie osprzętu głowicy czołowej.

Aby przeprowadzić całkowity przegląd narzędzia, zalecamy przeprowadzenie demontażu podzespołów w kolejności podanej poniżej po odłączeniu węża hydraulicznego od wzmacniacza oraz przewodów pneumatycznych od wzmacniacza i skrzynki sterującej, co spowoduje oddzielenie zespołu pistoletowego od wzmacniacza.

Potencjalnie niebezpieczne substancje, które mogły osadzić się na maszynie w wyniku procesów roboczych, należy usunąć przed rozpoczęciem konserwacji.

6.1 DEMONTAŻ 07536-02200

SIŁOWNIK SZCZĘKI TYLNEJ

- Ręcznie przestawić zatrzask ustalający **53** do góry i usunąć nakrywkę **59**.
- Za pomocą klucza imbusowego wykręcić jedną śrubę z łbem walcowym **6**, dopilnowując, aby wszelkie uwięzione powietrze zostało uwolnione z cylindra szczęki tylnej. Wykręcić drugą śrubę z łbem walcowym **6**.
- Wyciągnąć tylną zaślepkę **50**. **Uwaga:** Do pomocy w usuwaniu znajduje się 5 mm gwintu na tylnej powierzchni czołowej zaślepki.
- Zdemontować komponenty szczęki tylnej, czyli zespół tłoka szczęki tylnej **60**, ogranicznik **52**, pierścień uszczelniający **12** i szczęki **32**.
- Wyjąć pozostałe komponenty, czyli sprężynę **36** i obudowę szczęk **42**.
- Wolna długość sprężyny **36** powinna wynosić 38,1 mm (1,5"). W razie potrzeby dokonać wymiany.
- Zdemontować pierścień uszczelniający zespołu tłoka **11**.
- Odłączyć rurkę Concertina kursora pneumatycznego (zieloną) **49** od kolanka **22**.
- Odłączyć rurkę Concertina kursora pneumatycznego (srebrną) **38** od kolanka z występami **30**.
- Za pomocą klucza imbusowego* zdemontować wszystkie pięć śrub mocujących osłonę uchwytu **3**, **4** oraz wszystkie cztery nakrętki **8** z uchwytu narzędzia.
- Zamocować tuleję **44** w imadle z miękkimi szczękami*, aby uniknąć jej uszkodzenia.
- Za pomocą klucza skrzynkowego* odkręć korek tulei **46**, uniemożliwiając obracanie się tulei **44** poprzez zastosowanie płaskiego klucza maszynowego*.
- Wyciągnąć siłownik szczęki tylnej **47** z narzędzia.
- Zdemontować pierścień uszczelniający **14**, pasek zgarniający **41** i sprężynę powrotną tulei **37**.
- Pokryć smarem Moly Lithium czoło szczęk tylnych **32** dotykające obudowy szczęk **42** przed montażem.
- Przeprowadzić montaż, wykonując procedurę demontażu w odwrotnej kolejności.

* Oznacza elementy zestawu serwisowego 0753 Mkl. Pełna lista zamieszczona została na stronie 124.

Pozycje oznaczone **pogrubioną** czcionką dotyczą ogólnych rysunków montażowych oraz listy części przedstawionych na stronach 129-130.

TŁOK HYDRAULICZNY

- W opisanym uprzednio sposobie zdemontować cylinder szczęki tylnej **47**.
- Zamocować korpus **45** w imadle z miękkimi szczękami*, aby uniknąć jego uszkodzenia i zdjąć ogranicznik skoku **40**.
- Za pomocą klucza imbusowego* poluzować śrubę **5** mocującą blok przełącznika **54** do tulei **44**.
- Silnie przytrzymać narzędzie i wyciągnąć tuleję **44** z korpusu **45** (z wnętrza zespołu głowicy może wydostać się mała ilość oleju hydraulicznego).
- Ostrożnie zdemontować tłok **39**, aby nie uszkodzić otworu w głowicy.
- Zdemontować uszczelkę **16**.
- Demontaż uszczelki **17** bez jej uszkodzenia jest trudny, lecz element ten może pozostać zamontowany w trakcie czyszczenia (przy założeniu, że procedura czyszczenia nie spowoduje jego uszkodzenia). W przypadku konieczności wymiany uszczelki **17** wykonać następujące czynności:
- Za pomocą łopatki wypchnąć uszczelkę **17** z korpusu **45**, zachowując ostrożność w celu uniknięcia uszkodzenia wnętrza i otworów korpusu. Zdemontowaną uszczelkę **17** NALEŻY zutylizować.
- W celu wymiany uszczelki **17**, odkręcać zespół korka odpowietrzającego **43** aż do zrównania się powierzchni wewnętrznej z wewnętrznym otworem korpusu **45**. Umożliwi to swobodny montaż nowej uszczelki **17** przez tylną część korpusu **45**.
- Zapewnić dobre nasmarowanie uszczelki **17** i ułożenie jej prawidłową stroną, czyli otwartym końcem uszczelki w stronę tylnych szczęk.
- Przeprowadzić montaż, wykonując procedurę demontażu w odwrotnej kolejności.

ZESPÓŁ SPUSTU

- Aby wykonać demontaż/serwisowanie zespołu, usunąć osłony z narzędzia zgodnie z opisem powyżej.
- Odłączyć wszystkie węże pneumatyczne od zespołu, uważając, aby nie uszkodzić części. Zdemontować zespół.
- Za pomocą klucza* odkręcić i zdemontować ustalacz **34**. Koniecznie zachować sprężynę **31**.
- Podważyć pierścień uszczelniający **10**, uważając, aby nie uszkodzić gniazd wrzeciona 35 i ustalacza **34**.
- Oczyszczyć i zamontować ponownie z użyciem nowego pierścienia uszczelniającego **10**.
- Sprawdzić długość sprężyny **31**, która musi mieć długość swobodną 12,7 mm (0,5") - wymienić w razie potrzeby.
- Przeprowadzić montaż, wykonując procedurę demontażu w odwrotnej kolejności.

ZAWÓR WŁ./WYŁ. SZCZĘKI TYLNEJ

- Komponent jest skonstruowany w sposób wymagający minimalnej obsługi serwisowej podczas eksploatacji narzędzia.
- W razie konieczności demontażu zaworu, postępować zgodnie z poniższą procedurą:
- Wymontować obudowę spustu **56** w sposób opisany w rozdziale „Tłok hydrauliczny”.
- Za pomocą wkrętaka* ostrożnie usunąć chromowaną podkładkę gwiazdzistą **18** ze szpuli szczęki tylnej **55** i usunąć podkładkę.
- Wyjąć szpulę pneumatyczną szczęki tylnej **55** z bloku przełącznika **54**.
- Uważając, aby nie uszkodzić szpuli pneumatycznej szczęki tylnej **55**, usunąć pierścienie uszczelniające **12**.
- Oczyszczyć szpulę i zamontować na miejsce nowe pierścienie uszczelniające **12** za pomocą gruszki montażowej* oraz włożyć w blok przełącznika **54**, zwracając uwagę na jego orientację.
- Zamocować nową chromowaną podkładkę gwiazdzistą **18** w imadle z miękkimi szczękami w celu uniknięcia uszkodzenia. NIE STOSOWAĆ NADMIERNEJ SIŁY.
- Przeprowadzić montaż, wykonując procedurę demontażu w odwrotnej kolejności.

* Oznacza elementy zestawu serwisowego 0753 Mkl. Pełna lista zamieszczona została na stronie 124.

Pozycje oznaczone **pogrubioną** czcionką dotyczą ogólnych rysunków montażowych oraz listy części przedstawionych na stronach 129-130.

UCHWYT I NAKRYWKA

- Oczyszczyć i sprawdzić profile pod kątem pęknięć i innych uszkodzeń.

KURSOR

- Okresowo czyścić i smarować zespół kursora niewielką ilością lekkiego oleju.

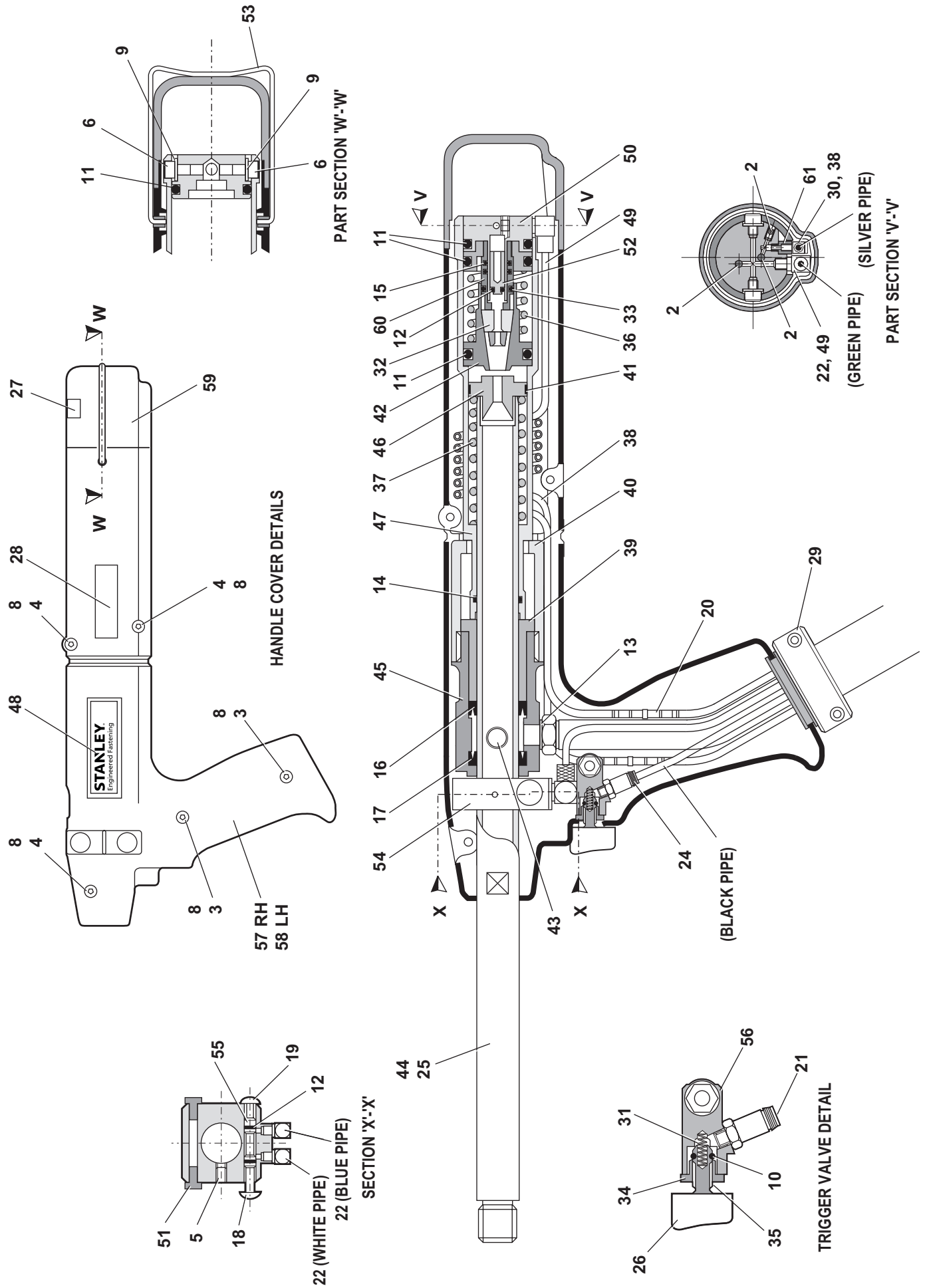
WAŻNA INFORMACJA

**Sprawdzać narzędzie w ramach codziennych i tygodniowych czynności kontrolnych.
Napełnienie olejem jest ZAWSZE konieczne po demontażu narzędzia i przed jego użyciem.**

* Oznacza elementy zestawu serwisowego 0753 Mkl. Pełna lista zamieszczona została na stronie 124.

Pozycje oznaczone **pogrubioną** czcionką dotyczą ogólnych rysunków montażowych oraz listy części przedstawionych na stronach 129-130.

6.2 OGÓLNY WIDOK MONTAŻOWY NARZĘDZIA PODSTAWOWEGO 07536-02200



6.3 LISTA CZĘŚCI NARZĘDZIA PODSTAWOWEGO 07536-02200

LISTA CZĘŚCI 07536-02200											
POZ.	NR CZĘŚCI	OPIS	LICZBA SZTUK	CZĘŚCI ZAMIENNE	POZ.	NR CZĘŚCI	OPIS	LICZBA SZTUK	CZĘŚCI ZAMIENNE	LICZBA SZTUK	CZĘŚCI ZAMIENNE
1	07007-00392	OPASKA ZACISKOWA (NIE POKAZANA)	1	-	34	07220-00803	USTALACZ	1	-	1	-
2	07001-00499	DŁUGA ŚRUBA USTALAJĄCA Z GNIAZDEM M3 x 5	3	-	35	07241-00208	WRZECIONO	1	-	1	-
3	07001-00262	DŁUGA ŚRUBA Z ŁBEM WALCOWYM Z GNIAZDEM M4 x 22	1	-	36	07154-00404	SPRĘŻYNA	1	-	1	-
4	07001-00401	DŁUGA ŚRUBA Z ŁBEM WALCOWYM Z GNIAZDEM M4 x 10	4	-	37	07490-03002	SPRĘŻYNA POWROTNA TULEI	1	-	1	-
5	07001-00404	DŁUGA ŚRUBA USTALAJĄCA Z GNIAZDEM M5 x 6	1	-	38	07536-02211	RURKA CONCERTINA KURSORA PNEUMATYCZNEGO (SREBRNA) 3 MM	1	-	1	-
6	07001-00504	DŁUGA ŚRUBA Z ŁBEM WALCOWYM Z GNIAZDEM M4 x 6	2	2	39	07536-00203	TŁOK	1	-	1	-
7					40	07530-00204	OGRA NICZNIK SKOKU	1	-	1	-
8	07002-00134	NAKRĘTKA SZEŚCIOKĄTNA M4	4	-	41	07530-00206	PASEK ZGARNIAJĄCY	1	1	1	1
9	07002-00153	PODKŁADKA M4 [PLASTIKOWA]	2	-	42	07536-00208	OBUDOWA SZCZEK	1	-	1	-
10	07003-00022	PIERŚCIEŃ USZCZELNIAJĄCY	1	-	43	07530-00500	ZESPÓŁ KORKA ODPOWIETRZANIA [POZYCJE 62 do 65] ●	1	-	1	-
11	07003-00113	PIERŚCIEŃ USZCZELNIAJĄCY	3	3	44	07536-02201	TULEJA	1	-	1	-
12	07003-00121	PIERŚCIEŃ USZCZELNIAJĄCY	3	3	45	07530-02202	KORPUS	1	-	1	-
13	07003-00142	USZCZELKA KLEJONA 1/8" BSP	1	1	46	07530-02205	ZASŁEPKA TULEI	1	-	1	-
14	07003-00167	PIERŚCIEŃ USZCZELNIAJĄCY	1	1	47	07536-02207	SIŁOWNIK SZCZĘKI TYLNEJ	1	-	1	-
15	07003-00386	PIERŚCIEŃ USZCZELNIAJĄCY	2	-	48	07530-02210	ETYKIETA	2	-	2	-
16	07003-00236	USZCZELKA [DYNAMICZNA]	1	1	49	07536-02212	RURKA CONCERTINA KURSORA PNEUMATYCZNEGO (ZIELONA) 4 MM	1	-	1	-
17	07003-00237	USZCZELKA [STATYCZNA]	1	-	50	07536-02213	ZASŁEPKA TYLNA	1	-	1	-
18	07004-00058	CHROMOWANA PODKŁADKA GWIEŹDZISTA 1/8"	1	-	51	07530-00310	KOREK ZAŚLEPIAJĄCY	2	-	2	-
19	07004-00059	CZARNA PODKŁADKA GWIEŹDZISTA 1/8"	1	-	52	07536-02214	OGRA NICZNIK	1	-	1	-
20	07005-10073	ZŁĄCZKA 3 MM	1	-	53	07530-02220	ZATRZASK	1	-	1	-
21	07005-01357	ZŁĄCZKA TULEJOWA	1	-	54	07530-02301	BLOK PRZEŁĄCZNIKA	1	-	1	-
22	07005-01571	KOLANKO	3	-	55	07530-02302	SZPULA TYLNEGO ZACISKU PNEUMATYCZNEGO	1	-	1	-
23	07536-02216	NAKRĘTKA ZABEZPIECZAJĄCA	1	-	56	07530-02311	OBUDOWA WŁĄCZNIKA SPUSTOWEGO	1	-	1	-
24	07005-10074	ZŁĄCZKA 2 MM	1	-	57	07536-02601	PRAWA STRONA ZESPOŁU PROFILI UCHWYTU	1	-	1	-
25	07007-00017	OSŁONA PRZECIWKURZOWA	1	-	58	07536-02602	LEWA STRONA ZESPOŁU PROFILI UCHWYTU	1	-	1	-
26	07007-00300	PRZYCISK SPUSTU	1	-	59	07530-02603	NAKRYWKA	1	-	1	-
27	73200-02022	ETYKIETA OSTRZEGAWCZA	1	-	60	07536-02800	ZESPÓŁ TŁOKA SZCZEK TYLNYCH	1	-	1	-
28	07007-01504	ETYKIETA CE	1	-	61	07536-02215	ADAPTER ZŁĄCZKI	1	-	1	-
29	07008-00438	ZESPÓŁ WĘŻA ELASTYCZNEGO	1	-	62	07003-00142	● USZCZELKA KLEJONA (NIE POKAZANA)	1	1	1	1
30	07005-01323	KOLANKO Z WYSTĘPAMI M3	1	-	63	07003-00194	● USZCZELKA KLEJONA (NIE POKAZANA)	1	1	1	1
31	07125-00215	SPRĘŻYNA	1	-	64	07001-00442	● ŚRUBA (NIE POKAZANA)	1	1	1	1
32	07151-00403	SZCZĘKI TYLNE	1	2	65	07530-00501	● ZAŚLEPKA (NIE POKAZANA)	1	1	1	-
33	07003-00016	PIERŚCIEŃ USZCZELNIAJĄCY	1	1							

6.4 INSTRUKCJA DEMONTAŻU

- Podczas demontażu zespołu wzmacniacza najpierw odłączyć wąż pneumatyczny podłączony do złączki wlotowej wzmacniacza **22**.
- Za pomocą klucza imbusowego* odkręcić cztery śruby **27** i zdemontować płytkę ochronną **24**.
- Odłączyć wąż uruchamiający **47** od zaworu wzmacniacza **43** lub **48**, wciskając zewnętrzną tuleję i wycofując wąż.
- Zdemonstować płytkę pokrywy **4** i uszczelkę **35**, wykręcając śruby **37** i usuwając podkładki **36** kluczem imbusowym*.
- Dopilnować, aby uszczelka nie została uszkodzona, co zapewni właściwe uszczelnienie podczas montażu.
- Odwrócić zespół wzmacniacza i spuścić olej ze zbiornika do właściwego pojemnika.
- Zdemonstować szybkozłączkę **32** razem ze złączką **31** i uszczelkami **33** odpowiednim kluczem*.
- Zdemonstować zawór wzmacniacza **43** lub **48**, wykręcając śruby mocujące odpowiednim kluczem, uważając, aby zachować pierścień uszczelniający **21** znajdujący się w odlewie obudowy wzmacniacza.
- Wykręcić śrubę **19** odpowiednim kluczem imbusowym* i zdjąć osłonę tłumika **16**, tłumik piankowy **15**, element dystansowy **18** i płytkę ustalającą **20**.
- Ściągnąć plastikową rurkę 6 mm **41** ze złączek podciśnienia **42**.
- Rozpoczynając od podstawy wzmacniacza, włożyć klucz imbusowy 3 mm* przez dwa otwory i odkręcić złączki podciśnienia **42**. Uwaga:
 - Zachować ostrożność, ponieważ złączki podciśnienia są zablokowane i unieruchomione środkiem Loctite® 574.
 - Jeśli ich wykręcenie jest trudne, złączki podciśnienia można przewiercić wiertłem o średnicy $\frac{3}{16}$ " lub 4,7 mm.
- Aby zamontować złączki podciśnienia **42** na miejsce, postępować zgodnie z poniższą procedurą: -
 - Namoczyć złączki podciśnienia w odpowiednim środku przygotowującym, tzn. Perma Bond A905
 - Wpuścić kroplę środka Loctite® 574 w otwór gwintowany wzmacniacza.
 - Rozpoczynając od podstawy wzmacniacza, włożyć klucz imbusowy* przez otwór. Dopilnować, aby na kluczu imbusowym* nie znajdował się środek Loctite® 574 przed jego włożeniem w złączkę podciśnienia.
 - Obracać kluczem imbusowym, nakładając Loctite® 574 na podstawę złączki podciśnienia.
 - Wkręcić złączkę podciśnienia we wzmacniacz, dopilnowując, aby wystarczająca ilość środka Loctite 574® znajdowała się u podstawy złączki, w taki sposób, by gwint był niewidoczny.
- Za pomocą wkrętaka ostrożnie usunąć wewnętrzny pierścień ustalający **14**. Oczyszczyć i sprawdzić rowek pod kątem uszkodzeń.
- Za pomocą ściągacza* włożyć koniec z gwintem zewnętrznym w pokrywę końcową **12** i wycofać ją wraz z tuleją wzmacniacza **28** i pierścieniami uszczelniającymi **10** i **13**.
- Włożyć pręt* przez otwór złączki z przodu korpusu wzmacniacza i wypchnąć na zewnątrz zespół tłoczyska **9** i tłoka, stukając w ten zespół.
- Za pomocą odpowiedniego klucza imbusowego* odkręcić dwie śruby **25** i zdjąć pokrywę końcową **12** z tulei wzmacniacza **28**.
- Zdemonstować zaślepkę uszczelniającą **7** kluczem*.
- Włożyć pręt* przez otwór złączki z przodu korpusu wzmacniacza i wypchnąć obudowę uszczelki **5** wraz z powiązаныmi pierścieniami uszczelniającymi i uszczelkami wargowymi.
- Zdemonstować zespół obudowy zaworu **34** z korpusu głównego odpowiednim kluczem*. Oczyszczyć, przedmuchując strumieniem powietrza pod niskim ciśnieniem.
- Usunąć tłoczysko **9** z tłoka pneumatycznego wzmacniacza **11**, chwytając pierwsze 20 mm (3/4") tłoczyska w imadle z miękkimi szczękami, zachowując ostrożność, by nie uszkodzić ani nie zarysować powierzchni roboczej.
- Wykręcić nakrętkę zabezpieczającą **17** odpowiednim kluczem*.
- Zmontować, wykonując procedurę demontażu w odwrotnej kolejności i przestrzegając poniższych wymogów:
- Oczyszczyć wszystkie części i wymienić wszystkie pierścienie uszczelniające na nowe.

* Oznacza elementy zestawu serwisowego 0753 Mkl. Pełna lista zamieszczona została na stronie 124.
Pozycje oznaczone **pogrubioną** czcionką dotyczą ilustracji i listy części po przeciwnej stronie.

- Nasmarować wszystkie uszczelki smarem Moly Lithium.
- Zespół obudowy zaworu **34** należy zamontować na miejsce z użyciem kleju do uszczelniania gwintów.
- Zmontować zespół tłoka z użyciem nowej nakrętki **17**.
- Pokrywą końcową **12** należy zamontować prawidłowo wewnątrz pierścienia ustalającego **14**. Nie wolno obsługiwać narzędzia, jeśli pokrywa końcowa nie została zamontowana.

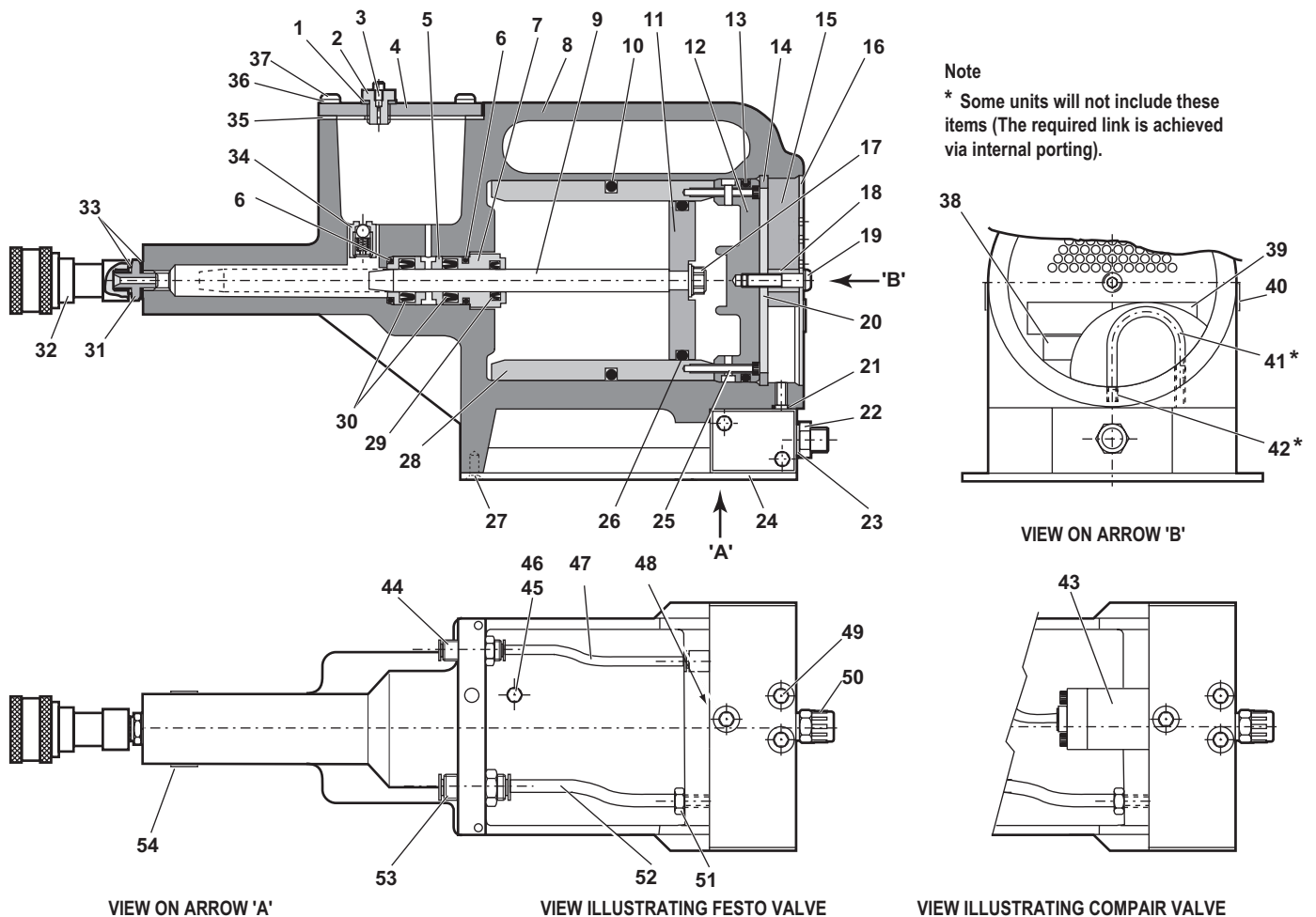
WAŻNA INFORMACJA

Napełnienie olejem jest **ZAWSZE** konieczne po demontażu narzędzia i przed jego użyciem.

6.5 OCHRONA ŚRODOWISKA

Zapewnić zgodność z obowiązującymi przepisami dotyczącymi utylizacji. Zutylizować wszystkie odpady w odpowiednim zakładzie przetwórstwa odpadów, aby nie narażać personelu ani środowiska.

6.6 WZMACNIACZ 07531-02200



* Oznacza elementy zestawu serwisowego 0753 Mkl. Pełna lista zamieszczona została na stronie 124. Pozycje oznaczone **pogrubioną** czcionką dotyczą ilustracji i listy części po przeciwnej stronie.

LISTA CZĘŚCI 07531-02200									
POZ.	NR CZĘŚCI	OPIS	LICZBA CZĘŚCI SZTUK ZAMIENNE	POZ.	NR CZĘŚCI	OPIS	LICZBA CZĘŚCI SZTUK ZAMIENNE	LICZBA CZĘŚCI SZTUK ZAMIENNE	
1	07003-00037	USZCZELKA	1	1	28	07531-00201	TULEJA	1	-
2	07240-00211	ŚRUBA WLEWU	1	-	29	07003-00337	USZCZELKA WARGOWA	1	1
3	07001-00418	ŚRUBA ODPOWIETRZAJĄCA	1	1	30	07003-00336	USZCZELKA WARGOWA	2	2
4	07240-00210	PŁYTKA POKRYWY	1	-	31	07005-00406	ZŁĄCZKA	1	-
5	71420-02006	OBUDOWA USZCZELKI	1	-	32	07005-00759	ZŁĄCZKA SZYBKOWALNIAJĄCA	1	-
6	07003-00153	PIERŚCIEŃ USZCZELNIAJĄCY	2	-	33	07003-00142	USZCZELKA	2	1
7	71420-02007	ZASLEPKA USZCZELNIAJĄCA	1	-	34	07240-00400	ZESPÓŁ OBUDOWY ZAWORU	1	-
8	71420-02300	ZESPÓŁ KORPUSU	1	-	35	07240-00209	USZCZELKA	1	1
9	71420-02008	TŁOCZYSKO	1	-	36	07002-00073	PODKŁADKA	4	1
10	07003-00182	PIERŚCIEŃ USZCZELNIAJĄCY	1	1	37	07001-00554	ŚRUBA	4	1
11	07531-00202	TŁOK PNEUMATYCZNY	1	-	38	07007-01504	ETYKIETA	1	-
12	07531-00204	POKRYWA KOŃCOWA	1	-	39	07240-00217	ETYKIETA	1	-
13	07003-00183	PIERŚCIEŃ USZCZELNIAJĄCY	1	1	40	07531-00205	ETYKIETA	2	-
14	07004-00069	PIERŚCIEŃ USTALAJĄCY	1	1	41	07005-00596	* PLASTIKOWA RURKA 6 mm	-	-
15	07240-00213	TŁUMIK PIANKOWY	1	1	42	07245-00103	* ZŁĄCZKA PODCIŚNIENIA	2	-
16	07240-00214	POKRYWA TŁUMIKA	1	-	43	07005-00590	ZAWÓR COMPAIR	1	1
17	07002-00017	NAKRĘTKA	1	1	44	07005-01431	ZŁĄCZKA PRZECHODZĄCA PRZEZ ŚCIANKĘ	1	1
18	07240-00215	ELEMENT DYSTANSOWY	1	-	45	07005-00668	ZASLEPKA M5	1	-
19	07001-00417	ŚRUBA	1	1	46	07005-00670	PIERŚCIEŃ USZCZELNIAJĄCY M5	1	-
20	07240-00216	PŁYTKA USTALAJĄCA	1	-	47	07005-01084	PLASTIKOWA RURKA 4 mm (150 mm)	-	-
21	*07003-00042	PIERŚCIEŃ USZCZELNIAJĄCY	1	1	48	07005-01524	ZAWÓR FESTO	1	-
22	07005-00041	ZŁĄCZKA	1	-	49	07001-00176	ŚRUBA	3	-
23	07003-00065	PODKŁADKA	1	-	50	07007-00292	ZŁĄCZKA 1/4" BSP REDCAP	1	-
24	07240-00220	PŁYTKA OCHRONNA	1	-	51	07005-00647	ZŁĄCZKA	1	-
25	07001-00375	ŚRUBA	2	-	52	07005-01085	PLASTIKOWA RURKA 6 mm (150 mm)	-	-
26	07003-00238	PIERŚCIEŃ USZCZELNIAJĄCY	1	1	53	07005-00855	DWUZŁĄCZKA PRZECHODZĄCA PRZEZ ŚCIANKĘ	1	-
27	07001-00396	ŚRUBA	4	-	54	73200-02022	ETYKIETA OSTRZEGAWCZA	1	-

7. NAPEŁNIANIE WSTĘPNE

Napełnienie olejem jest **ZAWSZE** konieczne po demontażu narzędzia i przed jego użyciem. Może być również konieczne w celu odzyskania pełnego skoku po intensywnym użytkowaniu, jeśli skok uległ zmniejszeniu, a elementy złączne nie są w pełni osadzone poprzez jedno naciśnięcie spustu.

7.1 DANE OLEJU

Zalecany olej do napełniania narzędzia to Hyspin® VG32 i AWS 32 dostępny w pojemnikach o pojemności 0,5 l (nr części 07992-00002) lub 4,5 l (nr części 07992-00006). Dane dotyczące bezpieczeństwa podano poniżej.

7.2 DANE DOTYCZĄCE BEZPIECZEŃSTWA OLEJÓW HYSPIN® VG32 I AWS 32

Pierwsza pomoc

SKÓRA:

Jak najszybciej to możliwe umyć skórę dokładnie wodą z mydłem. Chwilowy kontakt nie wymaga natychmiastowego udzielania pomocy. Krótkotrwały kontakt nie wymaga natychmiastowego udzielania pomocy.

SPOŻYCIE:

Niezwłocznie zasięgnąć porady lekarza. **NIE** wywoływać wymiotów.

OCZY:

Zastosować przepłukiwanie wodą przez kilka minut. Choć substancja nie jest drażniąca, może spowodować lekkie podrażnienie.

Pożar

Odpowiednie środki gaśnicze: CO₂, suchy proszek, piana lub mgła wodna. **NIE STOSOWAĆ** strumienia wody.

Środowisko naturalne

UTYLIZACJA ODPADÓW: Za pośrednictwem autoryzowanej jednostki i usługodawcy. Może zostać poddany spalaniu. Zużyty produkt może zostać przesłany w celu utylizacji.

ROZLANIE: Nie dopuszczaj do przedostania się do kanalizacji, ścieków lub wód gruntowych. Zebrać rozlaną ciecz stosując absorbent.

Postępowanie

Stosuj zabezpieczenie oczu, rękawice ochronne (np. gumowe) i plastikowy fartuch. Stosować w obszarach o dobrej wentylacji.

Przechowywanie

Brak specjalnych zaleceń.

7.3 PROCEDURA NAPEŁNIANIA

WAŻNA INFORMACJA

NIE NACISKAĆ SPUSTU, GDY ŚRUBA ODPOWIETRZAJĄCA JEST WYKRĘCONA

Wszystkie czynności należy wykonywać na czystym blacie roboczym, czystymi rękami w czystym miejscu.

Dopilnować, aby nowy olej był idealnie czysty i pozbawiony bąbelków powietrza.

ZACHOWAĆ ostrożność, aby żadne ciała obce nie dostały się do narzędzia, gdyż w przeciwnym razie może dojść do poważnych uszkodzeń.

- Wykręcić śrubę **2** i usunąć uszczelkę **1** z plastikowej płytki pokrywy **4** na zbiorniku wzmacniacza.
- Wlewać olej do wstępnego napełniania do zbiornika, aż sięgnie około 12 mm (1/2") od góry.
- Wkręcić śrubę wlewu **2** i założyć uszczelkę **1** na miejsce.
- Podłączyć wzmacniacz do zasilania powietrzem. Wykręcić śrubę ze zbiornika.
- Z uchwytem pistoletowym 07536 przymocowanym do wzmacniacza i trzymanym poniżej poziomu wzmacniacza, poluzować śrubę odpowietrzającą **64** z zespołu korka odpowietrzającego **43** na narzędziu 07536 o dwa obroty i pozwolić olejowi wypływać z narzędzia.
- Kiedy olej będzie wypływać swobodnie i nie będzie zawierać bąbelków powietrza, dokręcić śrubę odpowietrzającą.
- Napełnić zbiornik wzmacniacza olejem do napełniania.
- Włączyć i wyłączyć narzędzie, aż wszelkie bąbelki powietrza z oleju zostaną uwolnione do zbiornika oleju.

Pozycje oznaczone **pogrubioną** czcionką dotyczą ogólnych rysunków montażowych oraz listy części przedstawionych na stronach 129-132.

8. DIAGNOSTYKA USTEREK

OBJAW	MOŻLIWA PRZYCZYNA	ROZWIĄZANIE	PATRZ STR.
Narzędzie nie instaluje elementu łącznego	Niskie ciśnienie powietrza.	Zwiększyć ciśnienie powietrza.	
	Brak smarowania.	Nasmarować narzędzie u wlotu powietrza.	
	Wysokie obciążenie promieniowe.	Sprawdzić przyleganie elementu mocującego oraz wielkość otworu montażowego.	
	Sprawdzić, czy zastosowano trzpień o prawidłowej wielkości.		
	Szczęki tylne wyłączone.	Włączyć szczęki tylne.	
	Powietrze w systemie hydraulicznym.	Patrz „Procedura odpowietrzania”.	134
„Ślizganie się trzpienia” - szczęki nie chwytają trzpienia	Zużyte lub zabrudzone szczęki tylne.	Oczyścić lub wymienić w razie potrzeby.	
	’ Zbyt niskie ciśnienie/objętość powietrza.	Zwiększyć ciśnienie/objętość powietrza.	
	’ Przełącznik szczęki tylnej nie działa.	Wymienić przełącznik	
	’ Przepływ powietrza do szczęki tylnej.	Wymienić pierścienie uszczelniające na tłoku 11.	
	Pęknięty trzpień nie sięga szczęki tylnej.	Wymienić trzpień.	
	Usterka w pneumatycznej skrzynce sterującej.	Skontaktować się z personelem firmy Stanley Engineered Fastening	
Szczęki nie zwalniają trzpienia	Zabrudzone szczęki lub ich obudowa.	Oczyścić i nasmarować	
	Uszkodzony przełącznik szczęki tylnej.	Wymienić pierścienie uszczelniające.	
	Sygnal uwięzionego powietrza	Sprawdzić przewody pneumatyczne	
	Usterka w pneumatycznej skrzynce sterującej	Skontaktować się z personelem firmy Stanley Engineered Fastening	
Elementy łączne nie przechodzą przez szczęki czołowe	Szczęki tylne są wyłączone.	Włączyć szczęki tylne.	
	Zużyte szczęki tylne.	Wymienić szczęki tylne	
	Nieprawidłowa orientacja kursora.	Zamontować w prawidłowej orientacji	
	Błędny kursor	Zamontować prawidłowy kursor	
	Nieprawidłowe szczęki czołowe.	Zamontować prawidłowe szczęki czołowe	
	Sprężyna docisku trzpienia nie została zamontowana.	Zamontować odpowiednią sprężynę docisku trzpienia	
	Długość sprężyny docisku trzpienia	Zamontować odpowiednią sprężynę docisku trzpienia	
	Nieprawidłowa szczelina pomiędzy łbem elementu mocującego i szczękami czołowymi po załadunku.	Ustawić szczelinę o wielkości 1,5 mm - 3 mm (1/16" - 1/8") Patrz „Załadunek narzędzia”	121-122
	Kleszczenie kursora.	Oczyścić i nasmarować kursor olejem	
	zużyty kursor pneumatyczny	Wymienić kursor	
	Zamocowano nieprawidłową sprężynę docisku trzpienia	Zamontować odpowiednią sprężynę docisku trzpienia	
Zużyta lub pęknięta sprężyna powrotna tulei	Wymienić sprężynę powrotną tulei		
Nadmierne zużycie szczęki tylnej	Wysokie obciążenie promieniowe.	Sprawdzić średnicę i grubość otworu montażowego i zdolności mocowania elementu łącznego	
	Podawanie więcej niż jednego elementu łącznego naraz	Sprawdź według punktu „Poślizg tulei”, etap 2 Ustawić szczelinę o wielkości 1,5 mm - 3 mm (1/16" - 1/8") Patrz „Załadunek narzędzia” na stronie	121-122

Inne objawy lub usterki zgłaszać do najbliższego autoryzowanego dystrybutora lub centrum serwisowego Stanley Engineered Fastening.

UWAGI

9. DEKLARACJA ZGODNOŚCI WE

My, **Stanley Engineered Fastening, Stanley House, Works Road, Letchworth Garden City, Hertfordshire, SG6 1JY WIELKA BRYTANIA**, deklarujemy na własną odpowiedzialność, że produkt:

Opis: **Hydrauliczno-pneumatyczne narzędzie do powtarzalnych operacji szybkiego nitowania**

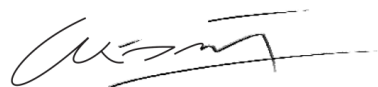
Model: **07536**

którego dotyczy niniejsza deklaracja, jest zgodny z następującymi normami zharmonizowanymi:

ISO 12100:2010	EN ISO 3744:2010
EN ISO 11202:2010	EN ISO 11148-1:2011
EN ISO 4413:2010	BS EN 28662-1:1993
EN ISO 4414:2010	EN ISO 20643:2008+A1:2012
EN ISO 28927-5:2009+A1:2015	ES100118-rev 17:2017

Dokumentacja techniczna została sporządzona zgodnie z Załącznikiem VII, zgodnie z następującą dyrektywą: **Dyrektywa maszynowa 2006/42/WE** (w Wielkiej Brytanii obowiązuje ustawa odnosząca się do tej dyrektywy: Statutory Instruments 2008 No 1597 - The Supply of Machinery (Safety) Regulations).

Niżej podpisany składa niniejszą deklarację w imieniu STANLEY Engineered Fastening



A. K. Seewraj

Director of Engineering, Wielka Brytania

Avdel UK Limited, Stanley House, Works Road, Letchworth Garden City, Hertfordshire, SG6 1JY WIELKA BRYTANIA

Miejsce wydania: **Letchworth Garden City, Wielka Brytania**

Data wydania: **01-01-2021**

Niżej podpisana osoba odpowiada za sporządzenie dokumentacji technicznej dla produktów sprzedawanych w Unii Europejskiej i składa tę deklarację w imieniu Stanley Engineered Fastening.

Matthias Appel

Team Leader Technical Documentation

Stanley Engineered Fastening, Tucker GmbH, Max-Eyth-Str.1, 35394 Gießen, Niemcy



Ta maszyna jest zgodna z
dyrektywą maszynową 2006/42/WE

STANLEY
Engineered Fastening

10. DEKLARACJA ZGODNOŚCI DLA WLK. BRYT.

My, **Stanley Engineered Fastening, Stanley House, Works Road, Letchworth Garden City, Hertfordshire, SG6 1JY WIELKA BRYTANIA**, deklarujemy na własną odpowiedzialność, że produkt:

Opis:

Hydrauliczno-pneumatyczne narzędzie do powtarzalnych operacji szybkiego nitowania

Model:

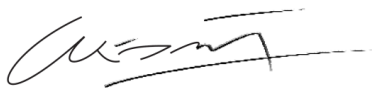
07536

którego dotyczy niniejsza deklaracja, jest zgodny z następującymi normami wyznaczonymi:

ISO 12100:2010	EN ISO 3744:2010
EN ISO 11202:2010	EN ISO 11148-1:2011
EN ISO 4413:2010	BS EN 28662-1:1993
EN ISO 4414:2010	EN ISO 20643:2008+A1:2012
EN ISO 28927-5:2009+A1:2015	ES100118-rev 17:2017

Dokumentacja techniczna została sporządzona zgodnie z ustawą Supply of Machinery (Safety) Regulations 2008, S.I. 2008/1597 (wraz ze zmianami).

Niżej podpisany składa niniejszą deklarację w imieniu STANLEY Engineered Fastening



A. K. Seewraj

Director of Engineering, Wielka Brytania

Avdel UK Limited, Stanley House, Works Road, Letchworth Garden City, Hertfordshire, SG6 1JY WIELKA BRYTANIA

Miejsce wydania:

Letchworth Garden City, Wielka Brytania

Data wydania:

01-01-2021



Ta maszyna jest zgodna z
ustawą Supply of Machinery (Safety) Regulations 2008,
S.I. 2008/1597 (wraz ze zmianami)

STANLEY
Engineered Fastening

11. CHROŃ SWOJĄ INWESTYCJĘ!

Stanley® Engineered Fastening GWARANCJA NA NARZĘDZIE DO NITÓW ZRYWALNYCH

STANLEY® Engineered Fastening gwarantuje, że wszystkie narzędzia zostały wyprodukowane z należytą starannością i pozostaną wolne od wad materiałowych i wad wykonania w warunkach normalnego użytkowania i serwisowania przez okres jednego (1) roku.

Niniejsza gwarancja ma zastosowanie do pierwszego nabywcy narzędzia.

Wyjątki:

Normalne zużycie.

Konserwacja okresowa oraz naprawa i wymiana części spowodowane normalnym zużyciem nie są objęte gwarancją.

Użytkowanie niezgodnie z przeznaczeniem.

Uszkodzenia i usterki wynikające z błędnego użytkowania, przechowywania, użytkowania niezgodnie z przeznaczeniem, wypadku lub zaniedbania, jak np. uszkodzenia fizyczne, nie są objęte gwarancją.

Nieuprawnione serwisowanie lub modyfikacja.

Uszkodzenia lub usterki wynikające z serwisowania, próbnej regulacji, instalacji, konserwacji, jakichkolwiek zmian lub modyfikacji przeprowadzonych przez osobę inną niż pracownik STANLEY® Engineered Fastening lub pracownik autoryzowanego centrum serwisowego tej firmy nie są objęte gwarancją.

Wszelkie inne oświadczenia i zapewnienia, wyrażone lub domniemane, w tym gwarancje przydatności do sprzedaży lub do określonego celu są niniejszym wyłączone.

Jeśli wystąpi usterka podczas gwarancji, proszę niezwłocznie przekazać narzędzie do najbliższego autoryzowanego centrum serwisowego. Aby uzyskać listę autoryzowanych centrów obsługi STANLEY® Engineered Fastening w USA lub Kanadzie, proszę skontaktować się z nami pod bezpłatnym numerem (877)364 2781.

Poza USA i Kanadą proszę wejść na naszą stronę www.StanleyEngineeredFastening.com, aby odszukać najbliższe centrum obsługi STANLEY Engineered Fastening.

STANLEY Engineered Fastening następnie wymieni bezpłatnie każdą część lub wszystkie części, jakie uzna za wadliwe w wyniku wad materiałowych lub wykonania i zwróci narzędzie na własny koszt. Powyższe zobowiązanie stanowi jedyne zobowiązanie zgodnie z niniejszą gwarancją.

W żadnym wypadku STANLEY Engineered Fastening nie ponosi odpowiedzialności za żadne szkody następne ani szczególne wynikające z zakupu lub użytkowania tego narzędzia.

Zarejestruj swoją nitownicę w Internecie.

Aby zarejestrować swoją gwarancję w Internecie, odwiedź naszą witrynę
<https://www.stanleyengineeredfastening.com/support/warranty-registration-form>

Dziękujemy za wybranie narzędzia marki STANLEY® Engineered Fastening Stanley Assembly Technologies.

©2021 Stanley Black & Decker inc.
 Todos los derechos reservados.

Se prohíbe reproducir y/o publicar esta información en cualquier formato o medio (ni electrónico ni mecánico) sin la autorización previa por escrito de STANLEY Engineered Fastening. La información se proporciona en función de los datos conocidos en el momento de la presentación de este producto. STANLEY Engineered Fastening aplica una política de mejora continua de sus productos, por lo que estos están sujetos a modificaciones. La información facilitada es de aplicación al producto tal y como ha sido entregado por STANLEY Engineered Fastening. Por lo tanto, STANLEY Engineered Fastening no se responsabiliza de ningún daño derivado de alguna variación respecto de las especificaciones originales del producto.

Esta información ha sido elaborada con la máxima atención. No obstante, STANLEY Engineered Fastening no asumirá responsabilidad alguna en caso de fallos en la información o por las consecuencias que pudieran derivarse de la misma. STANLEY Engineered Fastening no asumirá responsabilidad alguna por los daños derivados de actividades efectuadas por terceros. Los nombres profesionales, los nombres comerciales, las marcas comerciales registradas, etc. utilizados por STANLEY Engineered Fastening no deben considerarse libres, de conformidad con la legislación relativa a la protección de marcas comerciales.

1. DEFINICIONES DE SEGURIDAD	142
1.1 NORMAS GENERALES DE SEGURIDAD.....	142
1.2 PELIGRO POR PIEZAS QUE SALEN DISPARADAS	142
1.3 PELIGROS DURANTE EL USO	143
1.4 PELIGROS POR MOVIMIENTOS REPETITIVOS.....	143
1.5 PELIGROS DE LOS ACCESORIOS	143
1.6 PELIGROS EN EL LUGAR DE TRABAJO	143
1.7 PELIGROS DE RUIDOS.....	144
1.8 PELIGROS DE VIBRACIONES.....	144
1.9 INSTRUCCIONES DE SEGURIDAD ADICIONALES PARA HERRAMIENTAS NEUMÁTICAS E HIDRÁULICAS.....	144
2. ESPECIFICACIONES	145
2.1 ESPECIFICACIONES DE LA HERRAMIENTA 07536.....	145
2.2 ESPECIFICACIONES DEL INTENSIFICADOR 07531.....	145
3. USO PREVISTO	146
3.1 DIMENSIONES DE LA HERRAMIENTA - MODELO 07536	146
4. PUESTA EN SERVICIO	147
4.1 SUMINISTRO DE AIRE	147
4.2 CURSORES DE AIRE.....	148
4.3 CARGA Y RECARGA DE LA HERRAMIENTA.....	148
4.4 PROCEDIMIENTO DE TRABAJO.....	150
5. MANTENIMIENTO DE LA HERRAMIENTA.....	151
5.1 CAJA DE CONTROL NEUMÁTICO	151
5.2 DIARIAMENTE.....	151
5.3 SEMANALMENTE	151
5.4 DATOS DE SEGURIDAD DE LA GRASA DE LITIO MOLY EP 3753	151
5.5 KIT DE MANTENIMIENTO	152
5.6 HERRAMIENTA DE CURSOR DE AIRE, CONJUNTO DEL INTENSIFICADOR Y CAJA DE CONTROL 07536-02100.....	153
6. MANTENIMIENTO	154
6.1 DESMONTAJE DE LA 07536-02200	154
6.2 CONJUNTO GENERAL DE LA HERRAMIENTA BÁSICA 07536-02200.....	157
6.3 LISTA DE PIEZAS DE LA HERRAMIENTA BÁSICA 07536-02200	158
6.4 INSTRUCCIONES DE DESMONTAJE	159
6.5 PROTECCIÓN DEL MEDIO AMBIENTE.....	160
6.6 INTENSIFICADOR 07531-02200.....	160
7. CEBADO	162
7.1 DATOS SOBRE EL ACEITE	162
7.2 DATOS DE SEGURIDAD - ACEITES® HYPSPIN VG32 Y AWS 32.....	162
7.3 PROCEDIMIENTO DE CEBADO	162
8. DIAGNÓSTICO DE ERRORES	163
9. DECLARACIÓN DE CONFORMIDAD CE	165
10. DECLARACIÓN DE CONFORMIDAD DEL REINO UNIDO.....	166
11. ¡PROTEJA SU INVERSIÓN!.....	167



Las personas que instalen o hagan funcionar la herramienta deberán leer el manual de instrucciones, prestando especial atención a las siguientes normas de seguridad.



Utilice siempre protección ocular resistente a los impactos cuando use la herramienta. El grado de protección requerido debe evaluarse para cada uso.







Utilice protecciones auditivas de acuerdo con las instrucciones de la empresa y según lo exigen las normas laborales de seguridad e higiene.



Durante el uso de la herramienta, las manos del operador están expuestas a peligros tales como aplastamiento, impactos, cortes, abrasiones o calor. Utilice guantes adecuados para protegerse las manos.

1. DEFINICIONES DE SEGURIDAD

Las siguientes definiciones describen el nivel de gravedad de cada palabra de advertencia. Lea el manual y preste atención a estos símbolos.

-  **PELIGRO:** Indica una situación de peligro inminente que, de no evitarse, podría ocasionar la muerte o una lesión grave.
-  **ADVERTENCIA:** Indica una situación potencialmente peligrosa que, de no evitarse, podría ocasionar la muerte o una lesión grave.
-  **PRECAUCIÓN:** Indica una situación potencialmente peligrosa que, si no se evita, puede ocasionar una lesión de poca o moderada gravedad.
-  **PRECAUCIÓN:** Usado sin el símbolo de alerta de seguridad indica una situación potencialmente peligrosa que, de no evitarse, podría causar daños materiales.

El funcionamiento o el mantenimiento inadecuado de este producto podrían causar lesiones graves o daños materiales. Lea y comprenda todas las advertencias e instrucciones de funcionamiento antes de usar este dispositivo. Cuando utilice herramientas eléctricas, deberá tomar siempre todas las precauciones básicas de seguridad para reducir el riesgo de lesiones personales.

CONSERVE TODAS LAS ADVERTENCIAS E INSTRUCCIONES PARA FUTURAS CONSULTAS

1.1 NORMAS GENERALES DE SEGURIDAD

- Para conocer los distintos peligros, lea y entienda las instrucciones de seguridad antes de instalar, manejar, reparar, mantener o cambiar los accesorios de la herramienta o de trabajar cerca de ella. No hacerlo puede provocar lesiones corporales graves.
- Solo los operarios cualificados y formados deben instalar, ajustar o usar la herramienta.
- No use la herramienta para otros fines distintos al previsto de colocación de remaches ciegos de STANLEY Engineered Fastening.
- Use solamente piezas, remaches y accesorios recomendados por el fabricante.
- NO modifique la herramienta. Las modificaciones pueden reducir la eficacia de los mecanismos de seguridad y aumentar los riesgos para el operador. Si el cliente aporta cualquier modificación a la herramienta, se responsabilizará totalmente de ello y perderán validez todas las garantías aplicables.
- No descarte las instrucciones de seguridad; entréguelas al operario.
- NO use la herramienta si está dañada.
- Antes del uso, compruebe que no haya ninguna desalineación o bloqueo de las piezas móviles, rotura de piezas y cualquier otra condición que pudiera afectar al funcionamiento de la herramienta. Si la herramienta está dañada, hágala reparar antes de utilizarla. Extraiga las posibles llaves de ajuste antes del uso.
- Las herramientas deben revisarse periódicamente para comprobar que las clasificaciones y marcas exigidas por esta sección de la ISO 11148 son legibles en la herramienta. Si faltan etiquetas, la empresa o el usuario solicitarán al fabricante otras de repuesto.
- La herramienta debe mantenerse siempre en condiciones de trabajo seguras, debe comprobarse periódicamente que no presente daños y debe ser utilizada por personal capacitado. El procedimiento de desmontaje deberá ser realizado por personal capacitado. No desmonte esta herramienta sin consultar antes las instrucciones de mantenimiento.

1.2 PELIGRO POR PIEZAS QUE SALEN DISPARADAS

- Desconecte la herramienta del suministro hidráulico antes de realizar cualquier mantenimiento o intento de ajuste y antes de colocar o extraer un conjunto de boquilla o accesorios.
- Sea consciente de que el fallo de la pieza de trabajo o de los accesorios, o incluso de la herramienta insertada puede proyectar piezas a alta velocidad.

- Utilice siempre protección ocular resistente a impactos durante el funcionamiento de la herramienta. El grado de protección requerido debe evaluarse para cada uso.
- Evalúe también en ese momento los riesgos para otras personas.
- Asegúrese de que la pieza de trabajo esté bien fijada.
- Compruebe que los medios que evitan la salida del remache o el mandril estén en su sitio y que funcionan.
- Advierta contra la posible salida forzosa de los mandriles desde el frontal de la herramienta.
- NO haga funcionar la herramienta dirigiéndola hacia ninguna persona.

1.3 PELIGROS DURANTE EL USO

- El uso de la herramienta puede exponer las manos del operador a peligros como aplastamiento, impactos, cortes, abrasiones o calor. Utilice guantes adecuados para protegerse las manos.
- Los operadores y el personal de mantenimiento deben estar capacitados físicamente para manipular el volumen, el peso y la potencia de la herramienta.
- Sostenga correctamente la herramienta. Esté preparado para contrarrestar los movimientos normales o repentinos: tenga ambas manos disponibles.
- Mantenga las empuñaduras de la herramienta secas, limpias y libres de aceite y grasa.
- Mantenga el cuerpo en posición equilibrada y afianzada en el suelo cuando maneje la herramienta.
- Libere el dispositivo "arranque y parada" en caso de interrupción del suministro hidráulico.
- Use solo los lubricantes recomendados por el fabricante.
- Debe evitarse el contacto con el líquido hidráulico. Para minimizar la posibilidad de irritaciones, es necesario lavarse bien en caso de contacto.
- A petición, el proveedor de su herramienta puede proporcionarle las fichas de datos de seguridad de los materiales relativos a todos los aceites y lubricantes hidráulicos.
- Evite las malas posturas ya que es probable que le impidan contrarrestar el movimiento normal o esperado de la herramienta.
- Si la herramienta va fijada a un dispositivo de suspensión, asegúrese de que la fijación sea segura.
- Sea consciente del riesgo de aplastamiento o pinzamiento si no hay montado ningún accesorio de boquillas.
- NO haga funcionar la herramienta si no tiene el portaboquilla montado.
- Debe haber suficiente espacio libre para las manos del usuario de la máquina antes de empezar a utilizarla.
- Cuando transporte la herramienta de un lugar a otro, mantenga las manos alejadas del gatillo para evitar el accionamiento involuntario.
- NO haga un uso indebido de la máquina arrojándola o usándola como un martillo.
- Tome las medidas necesarias para asegurarse de que los vástagos usados no causan riesgos.

1.4 PELIGROS POR MOVIMIENTOS REPETITIVOS

- Al utilizar una herramienta, es posible que el operario note incomodidad en las manos, los brazos, los hombros el cuello u otras partes del cuerpo.
- El operario debe mantener una postura cómoda, equilibrada y afianzada en el suelo, evitando las malas posturas. Cambiar la postura del cuerpo durante las tareas prolongadas puede ayudar a evitar la incomodidad y la fatiga.
- Si el operario experimenta síntomas como incomodidad persistente o recurrente, dolor, palpitaciones, dolor vago, hormigueo, entumecimiento, ardores o rigidez, no debe ignorar estas señales de aviso. El operario deberá informar de inmediato a su empresa y consultar un profesional sanitario cualificado.

1.5 PELIGROS DE LOS ACCESORIOS

- Desconecte la herramienta del suministro de aire antes de instalar o quitar el conjunto de boquilla o el accesorio.
- Utilice solo accesorios y consumibles de tipos y tamaños recomendados por el fabricante de la herramienta; no los use de otros tipos y tamaños.

1.6 PELIGROS EN EL LUGAR DE TRABAJO

- Los resbalones, tropiezos y caídas son las principales causas de lesiones en el lugar de trabajo. Sea consciente de las superficies deslizantes provocadas por el uso de la herramienta y también de los peligros de tropiezo causados por el conducto de aire o la manguera hidráulica.
- Actúe con cuidado en los entornos desconocidos. Puede haber peligros ocultos como cables de electricidad u otras líneas de suministro.
- La herramienta no está diseñada para su uso en atmósferas potencialmente explosivas ni está aislada contra el contacto con energía eléctrica.
- Asegúrese de que no haya cables eléctricos, tuberías de gas, etc., que puedan causar un peligro si resultan dañados por el uso de la herramienta.
- Vístase correctamente. No lleve ropa suelta ni joyas. Mantenga el cabello, la ropa y los guantes alejados de las piezas móviles. La ropa suelta, las joyas y el pelo largo pueden quedar atrapados en las piezas móviles.
- Tome las medidas necesarias para asegurarse de que los vástagos usados no causan riesgos.

1.7 PELIGROS DE RUIDOS

- La exposición a niveles elevados de ruido puede provocar problemas permanentes o incapacitantes, pérdida de audición y otros problemas como acúfenos (zumbidos o silbidos en los oídos). Por tanto, la evaluación de riesgos y la implementación de los controles adecuados para estos peligros son fundamentales.
- Los controles adecuados para reducir el riesgo pueden incluir medidas tales como materiales amortiguadores para evitar que las piezas de trabajo "suenen".
- Utilice protecciones auditivas de acuerdo con las instrucciones de la empresa y tal y como lo exigen las normas de seguridad en el trabajo y las regulaciones de seguridad.
- Para evitar un aumento innecesario en el nivel de ruido, use y mantenga la herramienta como se recomienda en el manual de instrucciones.

1.8 PELIGROS DE VIBRACIONES

- La exposición a la vibración puede provocar daños incapacitantes en los nervios y el riego sanguíneo de las manos y los brazos.
- Utilice ropa abrigada cuando trabaje en lugares fríos y mantenga las manos calientes y secas.
- Si experimenta entumecimiento, hormigueo, dolor o palidez en los dedos o manos, deje de utilizar la herramienta, informe a su empleador y consulte al médico.
- Siempre que sea posible, sostenga el peso de la herramienta en un soporte, tensor o equilibrador, ya que de esta forma podrá ejercer un agarre más ligero sobre la herramienta.

1.9 INSTRUCCIONES DE SEGURIDAD ADICIONALES PARA HERRAMIENTAS ELÉCTRICAS NEUMÁTICAS E HIDRÁULICAS

- El suministro de aire de trabajo no debe superar los 7 bar (100 PSI).
- El aire bajo presión puede causar lesiones graves.
- No deje nunca la herramienta en funcionamiento sin vigilancia. Desconecte la manguera neumática cuando no use la herramienta, antes de cambiar accesorios o cuando realice reparaciones.
- NO dirija la salida de aire del colector de vástagos hacia el operador ni hacia otras personas. No dirija nunca el aire hacia usted mismo ni hacia ninguna otra persona.
- Un latigazo de la manguera puede causar lesiones graves. Compruebe siempre si hay mangueras y accesorios dañados o sueltos.
- Antes del uso, compruebe que las líneas de aire no presenten daños, todas las conexiones deben ser seguras. No deje caer objetos pesados sobre las mangueras. Los golpes bruscos pueden causar daños internos y fallos prematuros en la manguera.
- El aire frío debe ser dirigido lejos de las manos.
- Siempre que se utilicen acoplamientos de torsión universales (acoplamientos de garra), se instalarán pasadores de bloqueo y se utilizarán cables de seguridad de protección contra latigazos para protegerse contra posibles errores de conexión de manguera a herramienta o de manguera a manguera.
- NO levante la herramienta de colocación sujetándola por la manguera. Utilice siempre la empuñadura de la herramienta de colocación.
- Los respiraderos no deben bloquearse ni cubrirse.
- No deje que la suciedad y las materias extrañas penetren en el sistema hidráulico de la herramienta pues pueden causar fallos de funcionamiento.
- El aceite bajo presión puede causar lesiones graves.
- Antes del uso, compruebe que las mangueras hidráulicas no estén dañadas. Todas las conexiones hidráulicas deben estar limpias, y totalmente conectadas y apretadas antes del uso. No deje caer objetos pesados sobre las mangueras. Los golpes bruscos pueden causar daños internos y fallos prematuros en la manguera.
- NO tire ni mueva el intensificador usando las mangueras. Use siempre la empuñadura.
- Use solo aceite y equipo de llenado limpios.
- Pueden utilizarse solo los fluidos hidráulicos recomendados.
- La temperatura máxima del fluido hidráulico en la entrada es de 100 °C (212 °F).

⚠ ADVERTENCIA: Dado que el uso normal y correcto de los mandriles ocasiona naturalmente un poco de desgaste y marcas, es necesario examinarlos periódicamente para detectar desgastes y marcas excesivos, prestando especial atención al diámetro de la cabeza, la zona de agarre de la mandíbula de cola o las alteraciones evidentes del vástago y cualquier distorsión del mandril. Los mandriles que fallan durante el uso pueden salir despedidos de la herramienta. Es responsabilidad del cliente asegurarse de que los mandriles sean reemplazados antes de que se produzcan niveles excesivos de desgaste y siempre antes del número máximo recomendado de colocaciones. Contacte con su representante de STANLEY Engineered Fastening, que le dirá cuál es esa cifra midiendo la carga de la brocha de su aplicación con nuestra herramienta de medición calibrada.

STANLEY Engineered Fastening aplica una política de desarrollo continuo y mejora de productos y se reserva el derecho de variar las especificaciones de todos sus productos sin previo aviso.

2. ESPECIFICACIONES

2.1 ESPECIFICACIONES DE LA HERRAMIENTA 07536

Presión de aire	Mín. - Máx.	5-7 bar (70-100 lbf/in ²)
Volumen de aire libre requerido	@ 5,1 bar /75 lbf/in ²	2.6 litros (0.09 ft ³)
Carrera	Mín.	25 mm (1 in)
Fuerza de tracción	@ 5,5 bar /80 lbf/in ²	3.89 kN (875 lbf)
Duración de ciclo	Aprox.	1 segundo
Peso	Pistola	1,2 kg (2,64 lb)

2.2 ESPECIFICACIONES DEL INTENSIFICADOR 07531

Presión de aire	Mín. - Máx.	5-7 bar (70-100 lbf/in ²)
Relación de intensificación		32:1

Valores de ruido determinados según el código de pruebas de ruido ISO 15744 e ISO 3744.		07536
Nivel de presión acústica ponderado A, dB(A), L _{WA}	Incertidumbre de ruido: k _{WA} = 2.3 dB(A)	79.5 dB(A)
Nivel de presión acústica de emisión ponderado A en la estación de trabajo dB(A), L _{PA}	Incertidumbre de ruido: k _{PA} = 2.3 dB(A)	68.5 dB(A)
Nivel de presión acústica de emisión pico ponderado C dB(C), L _{pC'} pico	Incertidumbre de ruido: k _{pC} = 2.5 dB(C)	96.9 dB(C)
Valores de vibración determinados según el código de pruebas de vibración ISO 20643 e ISO 5349.		07536
Nivel de emisión de vibraciones, a _{hd} :	Incertidumbre de vibración: k = 0.25 m/s ²	0.97 m/s ²
Valores de emisión de vibraciones declarados de acuerdo con la norma EN 12096		

3. USO PREVISTO

La herramienta neumática 07536 es una herramienta portátil liviana que ha sido diseñada para colocar los remaches Avlug® de 1/16" y es ideal para el montaje en línea de flujo o por lotes en una amplia variedad de aplicaciones de todos los sectores industriales.

La herramienta manual y el intensificador han sido probados como elementos separados y combinados. Deben utilizarse únicamente juntos y para ninguna otra finalidad. Consulte "Puesta en servicio" en la página 147-150 para ver los detalles de conexión.

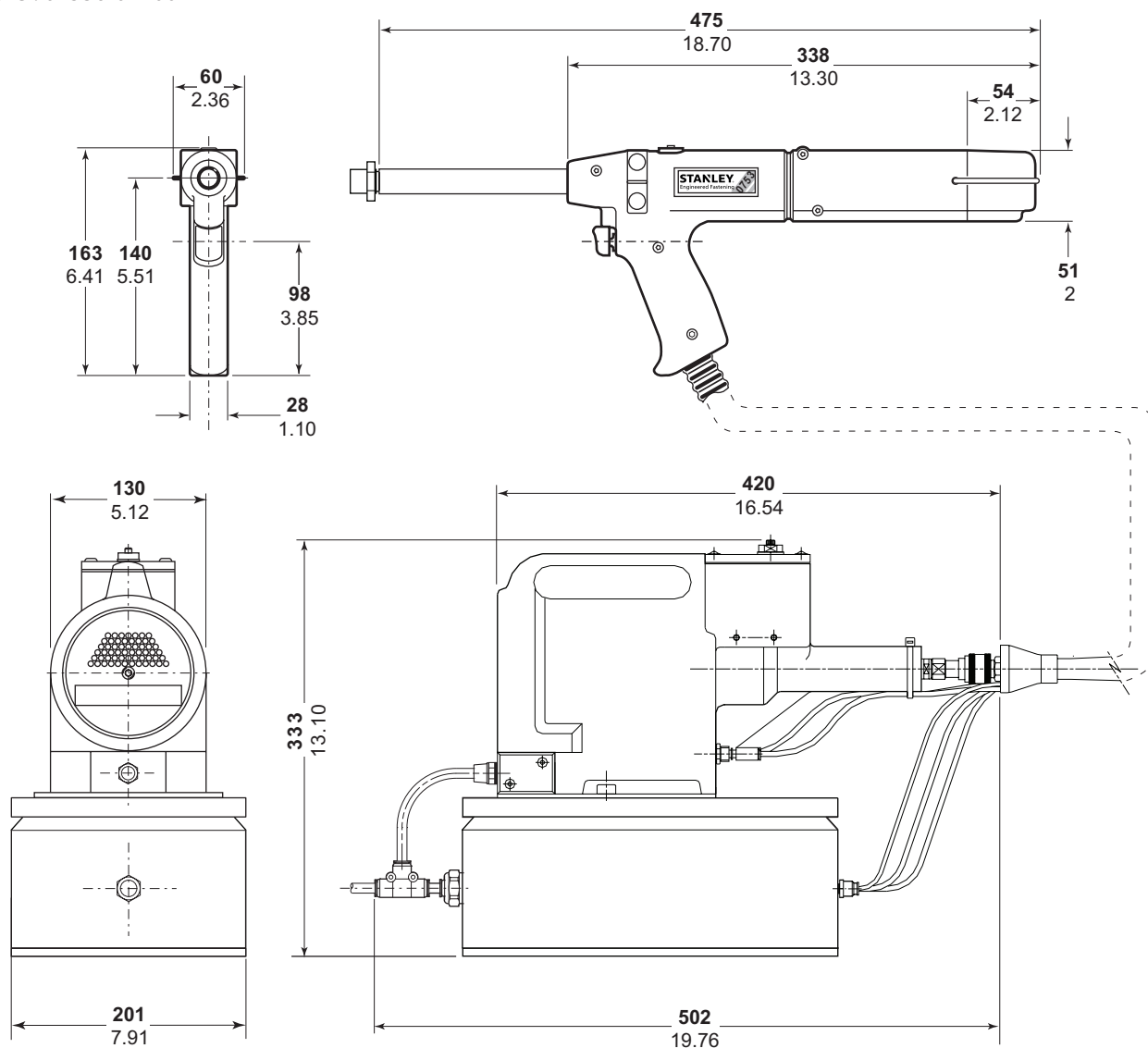
Los números de piezas se muestran para solicitar una herramienta completa, pero no el equipo de la boquilla.

El número de referencia del modelo de la herramienta 07536 es 07536-02200. Consulte los conjuntos generales en las páginas 153-161.

NO debe usarse en lugares húmedos ni en presencia de líquidos o gases inflamables.

3.1 DIMENSIONES DE LA HERRAMIENTA - MODELO 07536

Núm. ref. 07536-02100



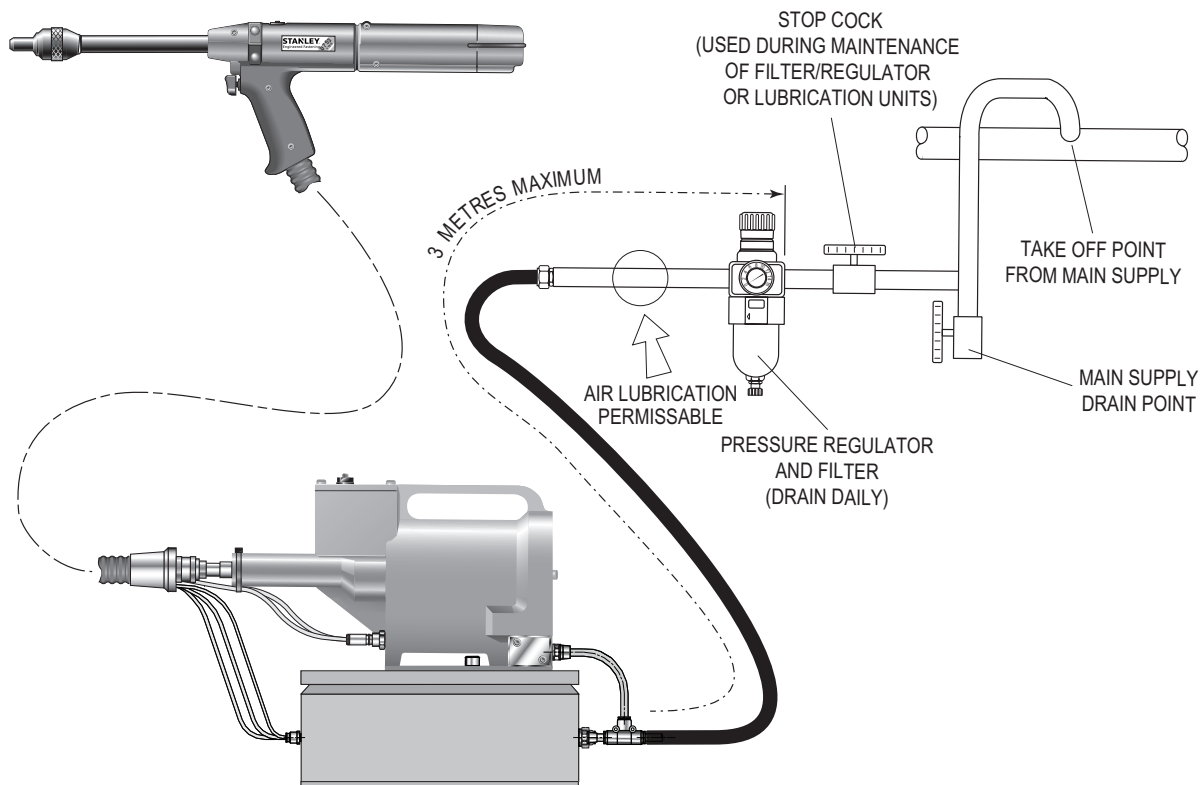
Dimensiones en mm.

4. PUESTA EN SERVICIO

4.1 SUMINISTRO DE AIRE

Todas las herramientas funcionan con aire comprimido a una presión óptima de 5,5 bar. Recomendamos usar reguladores de presión y sistemas automáticos de engrase/filtrado en el suministro principal de aire. Para garantizar la máxima vida útil de la herramienta y el mantenimiento mínimo, deben instalarse a no más de 3 metros de la herramienta (consulte el diagrama siguiente).

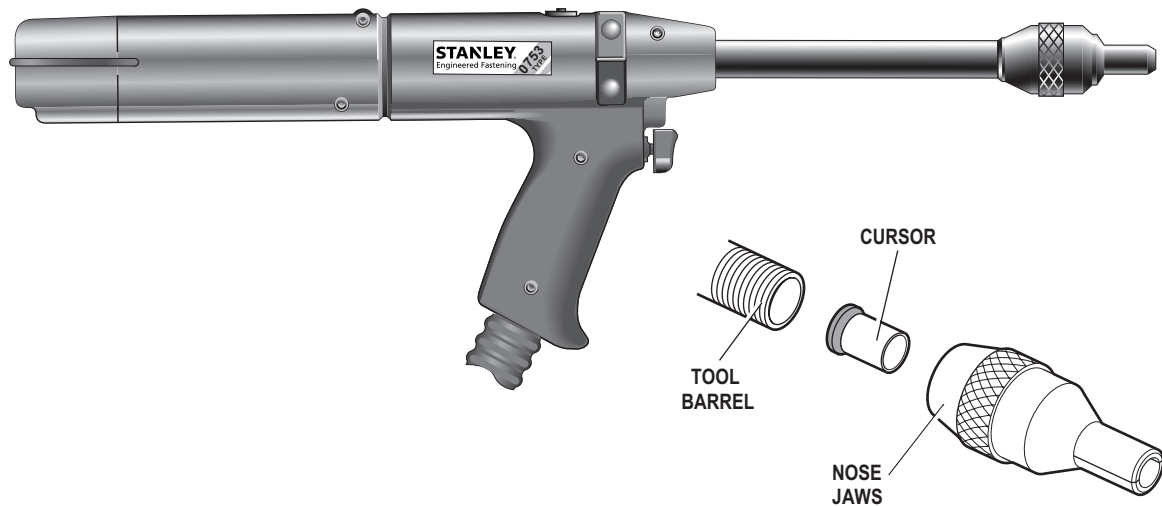
Las mangueras de suministro de aire deberán tener una capacidad nominal de presión efectiva mínima del 150 % de la presión máxima producida por el sistema o 10 bar, cualquiera que sea la más alta. Las mangueras de aire deben ser resistentes al aceite, tener resistencia exterior a la abrasión y estar blindadas en caso de condiciones de funcionamiento que puedan causarles daño. Todas las mangueras de aire DEBEN tener un calibre mínimo de 6,4 milímetros o 1/4 de pulgada.



Siga los siguientes pasos cuando conecte la herramienta al intensificador y al suministro de aire principal:

- Introduzca el extremo de la manguera más grande de la herramienta en el conector de liberación rápida del extremo del intensificador.
- En la parte delantera del intensificador (consulte la página 153):
 - Introduzca la línea neumática azul (4 mm de diámetro exterior) en el racor reductor que se encuentra en el conector del mamparo izquierdo.
 - Introduzca la línea neumática negra (4 mm de diámetro exterior) en el collarín de plástico del conector del mamparo derecho.
- En la parte delantera de la caja de control (consulte la página 153):
 - Introduzca el conducto neumático plateado (3 mm de diám. exterior) en el reductor etiquetado como "Cursor" de la parte frontal de la caja de control (lado izquierdo).
 - Empuje el conducto neumático verde (4 mm de diám. exterior) en el reductor etiquetado como "Mandíbulas posteriores" de la parte frontal de la caja de control (situado en el medio).
 - Introduzca el conducto neumático blanco (4 mm de diám. exterior) en el reductor etiquetado como "Señal" de la parte frontal de la caja de control (lado derecho).
- Coloque una manguera entre el conector macho de la parte trasera del intensificador y el suministro de aire principal.

4.2 CURSORES DE AIRE



Selección de cursores de aire

Para los componentes del conjunto de la boquilla, consulte la hoja de datos aparte 07900-00863.

CURSOR

IMPORTANTE

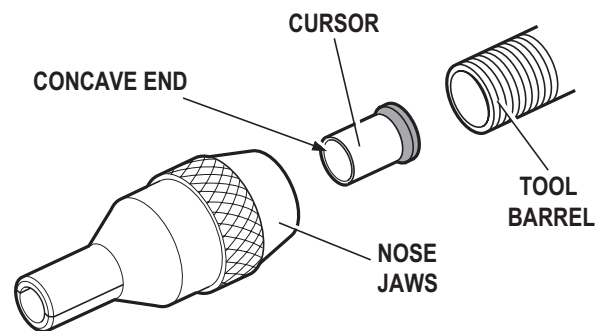
Si se coloca incorrectamente, el cursor impide la carga de la herramienta y la alimentación de los remaches.

Aunque el cursor viene colocado en el sentido correcto cuando se suministra la herramienta, recomendamos comprobar su orientación antes de colocar el conjunto de la boquilla. El extremo del cursor ligeramente cóncavo debe apuntar hacia la parte delantera de la herramienta, como se muestra en la ilustración.

Para invertir la orientación del cursor, siga estos pasos:

Hay que tener extremo cuidado al realizar el siguiente procedimiento. Hay que tener cuidado de evitar el cañón y el mandril que sobresale.

- Retire el conjunto de la boquilla, si está instalado.
- Introduzca a fondo en la herramienta un mandril vacío.
- Cierre las mordazas posteriores **32** conectando los interruptores de las mordazas posteriores (artículos **18** y **19**).
- Tras una breve demora, el cursor saldrá del cañón.
- Abra las mordazas posteriores **32** desconectando los interruptores de las mordazas posteriores (artículos **18** y **19**), y se soltará el mandril.
- Retire el cursor del mandril e insértelo en el barril.



4.3 CARGA Y RECARGA DE LA HERRAMIENTA

IMPORTANTE

El procedimiento de carga de la herramienta y de montaje del equipo de la boquilla en la herramienta es integral.

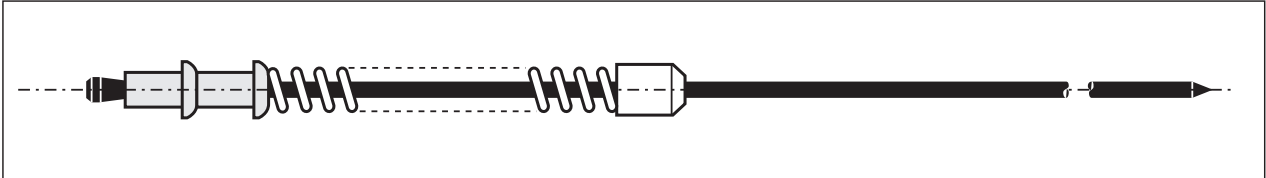
Cuando se encarga una herramienta o un sistema completo, normalmente se suministra con todo el equipo de boquilla necesario para el remache que se va a colocar.

Si se ha suministrado una mordaza, mandriles y muelles de empuje del mandril, cargue la herramienta y monte el conjunto de la boquilla como se indica abajo.

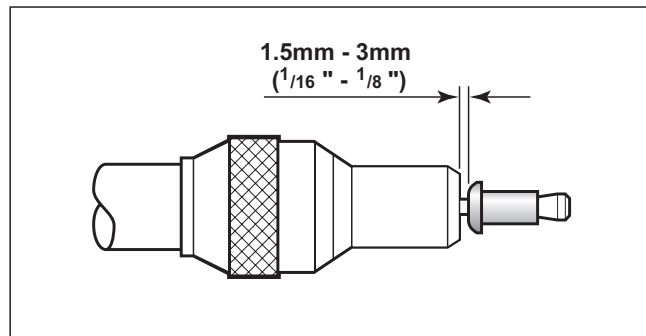
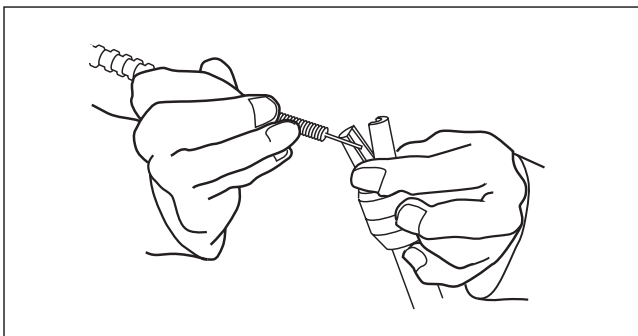
Los números de los artículos en **negrita** se refieren a los dibujos de conjunto y a la lista de piezas de la herramienta 07536-02200 de las páginas 157-158.

Carga de la herramienta

- Conecte el suministro de aire a la herramienta.
- Abra las mordazas posteriores **32** que agarran el mandril desconectando los interruptores de las mordazas posteriores (artículos **18** y **19**).
- Atornille las mordazas de la boquilla seleccionada en el cañón **44** de la herramienta.
- * Inserte un mandril en el extremo posterior de los remaches a través de la vaina de papel.
- Deslice el muelle de empuje del mandril por el mandril comprobando que la orientación sea correcta.



- Agarrando el extremo de cola del mandril, arranque la vaina de papel de alrededor de los remaches.
- Abra las mordazas de la boquilla girando el anillo exterior de las mordazas accionadas por leva o empujando hacia fuera los extremos de las mordazas, como se ilustra abajo a la izquierda.
- Inserte el mandril previamente ensamblado, el muelle de empuje del mandril y los remaches en las mordazas de la boquilla hasta que el primer remache que vaya a colocar sobresalga de las mordazas.
- Cierre las mordazas de la boquilla y ajústelas de modo que el primer remache sobresalga 1,5 mm - 3 mm ($1/16''$ a $1/8''$), como se muestra en la ilustración de abajo a la derecha.
- Cierre las mordazas posteriores **32** para asegurarse de que agarren el mandril conectando los interruptores de las mordazas posteriores (artículos **18** y **19**).



Recarga de la herramienta

- Abra las mordazas posteriores **32** de la herramienta desconectando las mordazas posteriores (artículos **18** y **19**).
- Abra las mordazas de la boquilla y saque el mandril vacío y el muelle seguidor del mandril de la herramienta.
- Recargue la herramienta siguiendo las instrucciones anteriores, empezando por la etapa *.

Ajuste de la herramienta – Solo para conjuntos de boquilla ajustable

Introduzca el mandril previamente montado (véase Carga de la herramienta *) o el mandril desechable contra el tope del conjunto del pistón de la mandíbula posterior **60**.

Sosteniendo el mandril, cierre las mordazas posteriores **32** que agarran el mandril conectando los interruptores de las mordazas posteriores (**18** y **19**).

Atornille la contratuerca en el cañón **44** de la herramienta.

Gire el conjunto de la boquilla en el cañón **44**.

Ajuste el conjunto de la boquilla de modo que el primer remache sobresalga 1,5 mm - 3 mm ($1/16''$ a $1/8''$), como se muestra en la ilustración de la página 149.

Los números de los artículos en **negrita** se refieren a los dibujos de conjunto y a la lista de piezas de la herramienta 07536-02200 de las páginas 157-158.

Apriete la contratuerca en el conjunto de la boquilla para que el conjunto de la mandíbula de la boquilla no se mueva.

Recarga de la herramienta

Abra las mordazas posteriores de la herramienta, desconectando los interruptores de las mordazas posteriores (**18-19**).

Abra las mordazas y saque el mandril vacío y el muelle seguidor del mandril de la herramienta.

Sosteniendo el nuevo mandril contra el tope dentro de la herramienta, cierre las mordazas posteriores **32** que agarran el mandril conectando los interruptores de las mordazas posteriores (**18 y 19**).

Cierre las mandíbulas posteriores **32**.

4.4 PROCEDIMIENTO DE TRABAJO

IMPORTANTE

Debe comprobar que la orientación del cursor y el equipamiento de la boquilla sean correctos antes de intentar manejar la herramienta.

- Empuje el remache que sobresale de las mordazas de la boquilla totalmente en los agujeros de la aplicación, comprobando que la herramienta se mantenga en escuadra.
- Accione el gatillo sin soltarlo. El cabezal del mandril es arrastrado a través del remache, formando el remache en la aplicación.
- Retire la herramienta.
- Suelte el gatillo. El siguiente remache se posicionará automáticamente en las mordazas de la boquilla, listo para ser colocado.

5. MANTENIMIENTO DE LA HERRAMIENTA

Anualmente o cada 500.000 ciclos, según lo que ocurra primero, debe ser realizado el mantenimiento ordinario y un control general por parte de personal capacitado.

IMPORTANTE

El empleador es responsable de garantizar que las instrucciones relativas al mantenimiento de la herramienta se comuniquen al personal correspondiente.

El operador no deberá participar en el mantenimiento ni la reparación de la herramienta, a menos que haya recibido la formación adecuada.

5.1 CAJA DE CONTROL NEUMÁTICO

IMPORTANTE

La caja neumática no debe abrirse en ningún caso. La caja es un elemento cerrado. Los ajustes internos son predeterminados y no deben ser alterados ni manipulados. Solo el personal autorizado de STANLEY Engineered Fastening puede desmontar esta caja de control.

⚠ PRECAUCIÓN: Nunca use disolventes u otros productos químicos fuertes para limpiar las piezas no metálicas de la herramienta. Dichos productos químicos pueden debilitar los materiales con los que están fabricadas estas piezas.

5.2 DIARIAMENTE

- Diariamente, antes de usar la herramienta o al ponerla en servicio por primera vez. Vierta unas gotas de aceite lubricante ligero y limpio en la entrada de aire del intensificador, si no hay un lubricador instalado en el suministro de aire. Si la herramienta está en uso constante, la manguera de aire debe desconectarse del suministro principal de aire y se debe lubricar la herramienta cada dos o tres horas.
- Compruebe si hay pérdidas de aceite o de aire. Cambie las mangueras y los acoplamientos si están dañados.
- Si el regulador de presión no tiene filtro, purgue la línea de aire para limpiar la suciedad o el agua acumulados antes de conectar la manguera de aire al intensificador. Si tiene filtro, drénelo.
- Compruebe que el equipo de boquilla sea correcto.
- Compruebe periódicamente si los mandriles tienen signos de desgaste o daños controlando el número de colocaciones (consulte las instrucciones de seguridad de la página 142-144).

5.3 SEMANALMENTE

- Realice todos los procedimientos "diarios" citados arriba.
- Retire, inspeccione, limpie y engrase las mordazas posteriores (consulte "Cilindro de las mordazas posteriores" en la página 154).
- Compruebe que el nivel de aceite del depósito del intensificador esté aprox. 12 mm (1/2 ") por debajo de la tapa transparente.

5.4 DATOS DE SEGURIDAD DE LA GRASA DE LITIO MOLY EP 3753

Puede solicitar la grasa por separado. Encontrará el número de referencia en la página del Kit de mantenimiento 152.

Primeros auxilios

PIEL:

Como la grasa es totalmente resistente al agua, la mejor forma de eliminarla es con un limpiador emulsionante para la piel.

INGESTIÓN:

Asegúrese de que la persona beba 30 ml de leche de magnesia, preferiblemente en una taza de leche.

OJOS:

Irritante, pero no perjudicial. Enjuague con agua y consulte a un médico.

Incendios

PUNTO DE INFLAMACIÓN: Superior a 220 °C.

No clasificado como inflamable.

Medios de extinción adecuados: CO₂, halón o pulverizador de agua, si los medios son utilizados por un operario con experiencia.

Medioambiente

Raspe el material para quemarlo o eliminarlo en un lugar autorizado.

Manejo

Use una crema barrera o guantes resistentes al aceite.

Almacenamiento

En un lugar alejado del calor y de agentes oxidantes.

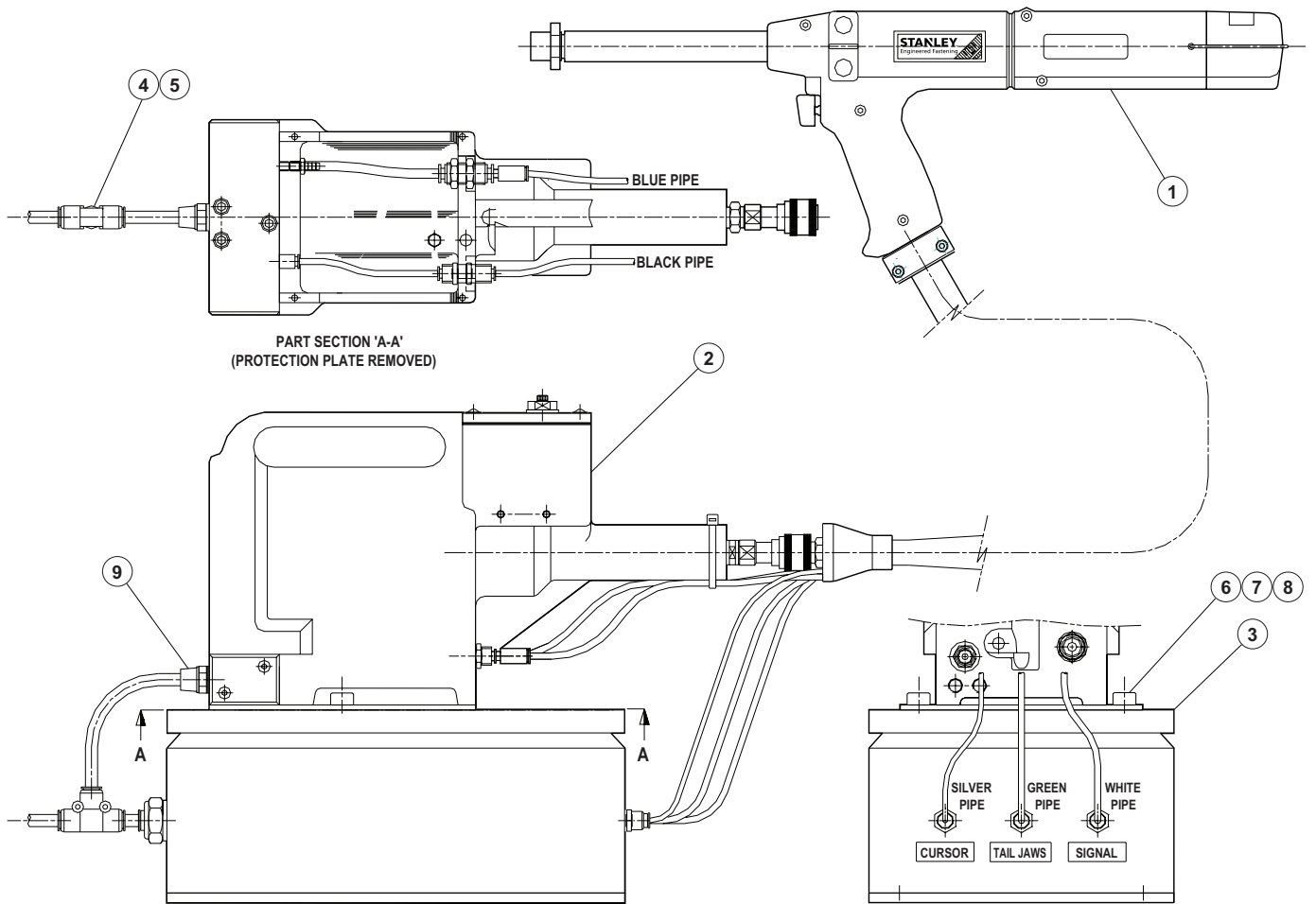
5.5 KIT DE MANTENIMIENTO

Para todas las operaciones de mantenimiento se recomienda usar el kit de mantenimiento (número de ref. 07900-05300).

KIT DE MANTENIMIENTO					
N.º ART. REF.	DESCRIPCIÓN	CANT.	N.º ART. REF.	DESCRIPCIÓN	CANT.
07900-00157	ALICANTES DE ANILLO	1	07900-00352	GANCHO SACARJUNTAS	1
07900-00006	ESPÁTULA	1	07900-00710	PINZA DE REMOCÓN DEL TAPÓN CAÑÓN	1
07900-00446	EXTRACTOR	1	07900-00725	CÁPSULA	1
07900-00603	MORDAZAS PARA CAÑÓN	1	07900-00243	DESTORNILLADOR	1
07900-00520	VÁSTAGO 3/8"	1	07900-00717	LLAVE PARA INTENSIFICADOR	1
07900-00521	VÁSTAGO 1/4"	1	07900-00013	LLAVE ALLEN 1/8"	1
07900-00602	CÁPSULA MONTAJE JUNTA TÓRICA	1	07900-00617	ENVASE LOCTITE® MULTI-GASKET 574, 50 ml	1
07900-00595	LLAVE DE TUERCAS 18 mm	1	07900-00469	LLAVE ALLEN 2,5 mm	1
07900-00434	LLAVE DE TUERCAS 32 mm	1	07900-00351	LLAVE ALLEN 3 mm	1
07900-00237	B.S.W. 3/8" x 5/16" LLAVE DE TUERCAS	1	07900-00224	LLAVE ALLEN 4 mm	1
07900-00012	LLAVE 9/16" x 5/8"	1	07900-00225	LLAVE ALLEN 5 mm	1
07900-00008	LLAVE 7/16" x 1/2"	1	07992-00020	BOTE 80 g GRASA DE LITIO MOLY EP 3753	1

Nota: Los tamaños de las llaves han sido medidos "entre caras", salvo que se especifique lo contrario.

5.6 HERRAMIENTA DE CURSOR DE AIRE, CONJUNTO DEL INTENSIFICADOR Y CAJA DE CONTROL 07536-02100



ART.	N.º REF.	DESCRIPCIÓN	CANT.
1	07536-02200	HERRAMIENTA MANUAL CURSOR DE AIRE	1
2	07531-02200	HERRAMIENTA INTENSIFICADOR	1
3	07007-02024	CAJA DE CONTROL CURSOR DE AIRE	1
4	07005-10071	CONECTOR EN T	1
5	07005-10072	TUBOS 8 MM (2,50 m)	1
6	74405-12080	NUTSERT M8 MODIFICADO	8
7	07001-00469	TORNILLO LARGO DE CAPUCHÓN M8 x 15	2
8	07002-00105	ARANDELA M8	4
9	07005-01573	CONECTOR MACHO TUBO 8 MM	1
10	07005-01977	REDUCTOR MACHO/HEMBRA 6 MM /4 MM	1

6. MANTENIMIENTO

Cada 500.000 ciclos la herramienta debe desmontarse totalmente y las piezas que estén desgastadas o dañadas deben sustituirse o tratarse como se recomienda. Antes del montaje, todas las juntas tóricas deben renovarse y lubricarse con grasa de litio Moly EP 3753.

IMPORTANTE

Las instrucciones de seguridad están en la página 4.

El empleador es responsable de garantizar que las instrucciones relativas al mantenimiento de la herramienta se comuniquen al personal correspondiente.

El operador no deberá participar en el mantenimiento ni la reparación de la herramienta, a menos que haya recibido la formación adecuada.

La manguera de aire debe desconectarse antes de intentar efectuar el mantenimiento o el desmontaje, salvo que se indique específicamente lo contrario.

Se recomienda efectuar las operaciones de desmontaje en condiciones de limpieza.

Antes de desmontar la herramienta es necesario sacar el equipo de la boquilla.

Para el mantenimiento completo de la herramienta, aconsejamos desmontar los subconjuntos en el orden indicado a continuación, después de desconectar la manguera hidráulica del intensificador y las líneas de aire del intensificador y de la caja de control, separando la unidad de la pistola del intensificador.

Las sustancias potencialmente peligrosas que pudieran haberse depositado en la máquina después de los procesos de trabajo deben ser eliminadas antes de efectuar el mantenimiento.

6.1 DESMONTAJE DE LA 07536-02200

CILINDRO MORDAZA POSTERIOR

- Incline manualmente hacia arriba la brida de retén **53** y extraiga la cofia posterior **59**.
- Con una llave Allen*, retire el tornillo de capuchón **6** y compruebe que se haya evacuado el aire retenido en el cilindro de la mordaza posterior. Retire el segundo tornillo de capuchón **6**.
- Saque el tapón trasero **50**. **Nota:** Para facilitar la extracción puede usarse la rosca de 5 mm de la cara posterior del tapón.
- Extraiga los componentes hidráulicos de la mordaza posterior, que comprenden el conjunto del pistón de la mordaza posterior **60**, el tope **52**, la junta tórica **12** y las mordazas **32**.
- Extraiga los componentes restantes, que comprenden el muelle **36** y el portamordazas **42**.
- La longitud libre del muelle **36** debe ser de 38,1 mm (1,5"). Sustitúyalos si es necesario.
- Retire la junta tórica del conjunto del pistón **11**.
- Desconecte el tubo Concertina del cursor de aire (verde) **49** del conector angular **22**.
- Desconecte el tubo Concertina del cursor de aire (plateado) **38** del conector angular **30**.
- Usando una llave Allen*, retire los cinco tornillos de fijación de la moldura de la empuñadura **3** y **4** y las cuatro tuercas **8** de la empuñadura de la herramienta.
- Sujete el cañón **44** en un tornillo de banco de mordazas blandas para evitar daños.
- Con una llave de vaso*, desenrosque el tapón del cañón **46** e impida que el cañón **44** gire usando una llave fija*.
- Tire del cilindro de la mandíbula posterior **47** de la herramienta.
- Retire la junta tórica **14**, la banda de rozamiento **41** y el muelle de retorno del cañón **37**.
- Antes del montaje, recubra con grasa Moly Lithium la superficie de las mandíbulas posteriores **32** en contacto con el portamordazas **42**.
- Vuelva a montar en orden inverso al de desmontaje.

* Se refiere a los elementos incluidos en el kit de mantenimiento 0753 Mkll. Para ver la lista completa, consulte la página 152. Los números de artículos en **negrita** se refieren a los conjuntos generales y a las listas de piezas de las páginas 157-158.

PISTÓN HIDRÁULICO

- Retire el cilindro de las mordazas posteriores **47** como se ha descrito anteriormente.
- Sujete el cuerpo **45** en un tornillo de banco de mordazas blandas para evitar daños, desarme el limitador de carrera **40**.
- Con una llave Allen*, afloje el tornillo **5** que fija el bloque de interruptores **54** al cañón **44**.
- Sujete bien la herramienta y tire el cañón **44** de cuerpo **45** (puede que salga una pequeña cantidad de aceite hidráulico del interior del conjunto del cabezal).
- Retire el pistón **39** con cuidado para no dañar el orificio del cabezal.
- Retire la junta **16**.
- Es difícil sacar la junta **17** sin dañarla, pero puede dejarla en su sitio para la limpieza (siempre que no afecte al proceso de limpieza). Pero si tiene que cambiar la junta **17**, proceda como sigue:
- Con una espátula*, extraiga la junta **17** del cuerpo **45** teniendo cuidado de no dañar la cavidad del cuerpo y los orificios. DEBE desechar la junta **17** que ha sacado.
- Para sustituir la junta **17**, desenrosque el conjunto del tapón de purga **43** hasta que la cara interior quede nivelada con el orificio interno del cuerpo **45**. Esto proporcionará un paso uniforme para insertar la nueva junta **17** por la parte trasera del cuerpo **45**.
- Compruebe que la junta **17** esté bien engrasada y colocada en el sentido correcto, con el extremo abierto mirando hacia las mordazas posteriores.
- Complete el montaje en orden inverso al de desmontaje.

CONJUNTO DEL GATILLO

- Para desmontar o realizar el mantenimiento del conjunto, retire las tapas de la herramienta como se ha descrito anteriormente.
- Desconecte todas las mangueras de aire del conjunto teniendo cuidado de no dañarlas. Retire el conjunto.
- Usando una llave*, desenrosque el retén **34** y extráigalo. Tenga cuidado de dejar el muelle **31**.
- Levante la junta tórica **10** haciendo palanca y teniendo cuidado de no dañar los asientos del husillo 35 y del retén **34**.
- Limpie y vuelva a montar usando una junta tórica nueva **10**.
- Compruebe la longitud del muelle **31** que debe tener 12,7 mm (0,5") de largo libre, sustitúyalo si es necesario.
- Vuelva a montar en orden inverso al de desmontaje.

VÁLVULA DE CONEXIÓN/DESCONEXIÓN DE LA MORDAZA POSTERIOR

- La unidad ha sido diseñada para requerir un mantenimiento mínimo durante la vida útil de la herramienta.
- Si es necesario desmontar la válvula, proceda como sigue:
- Retire la carcasa del gatillo **56** como se describe en la sección "Pistón hidráulico".
- Con un destornillador*, retire con cuidado la arandela cromada Starlock **18** de la bobina neumática de la mordaza posterior **55** y deseche la arandela.
- Extraiga la bobina neumática **55** de la mordaza posterior del conjunto de los interruptores **54**.
- Teniendo cuidado de no dañar la bobina neumática **55** de la mordaza posterior, retire las juntas tóricas **12**.
- Limpie la bobina y vuelva a colocar las nuevas juntas tóricas **12** utilizando la cápsula de montaje* e insértelas en el conjunto de los interruptores **54**, teniendo en cuenta su orientación.
- Coloque la nueva arandela cromada Starlock **18** sujetándola en un tornillo de banco de mordazas blandas para evitar que se dañe. NO APLIQUE UNA FUERZA EXCESIVA.
- Complete el montaje en orden inverso al de desmontaje.

* Se refiere a los elementos incluidos en el kit de mantenimiento 0753 Mkll. Para ver la lista completa, consulte la página 152. Los números de artículos en **negrita** se refieren a los conjuntos generales y a las listas de piezas de las páginas 157-158.

EMPUÑADURA Y COFIA POSTERIOR

- Limpie e inspeccione las molduras para ver si tienen grietas u otros daños.

CURSOR

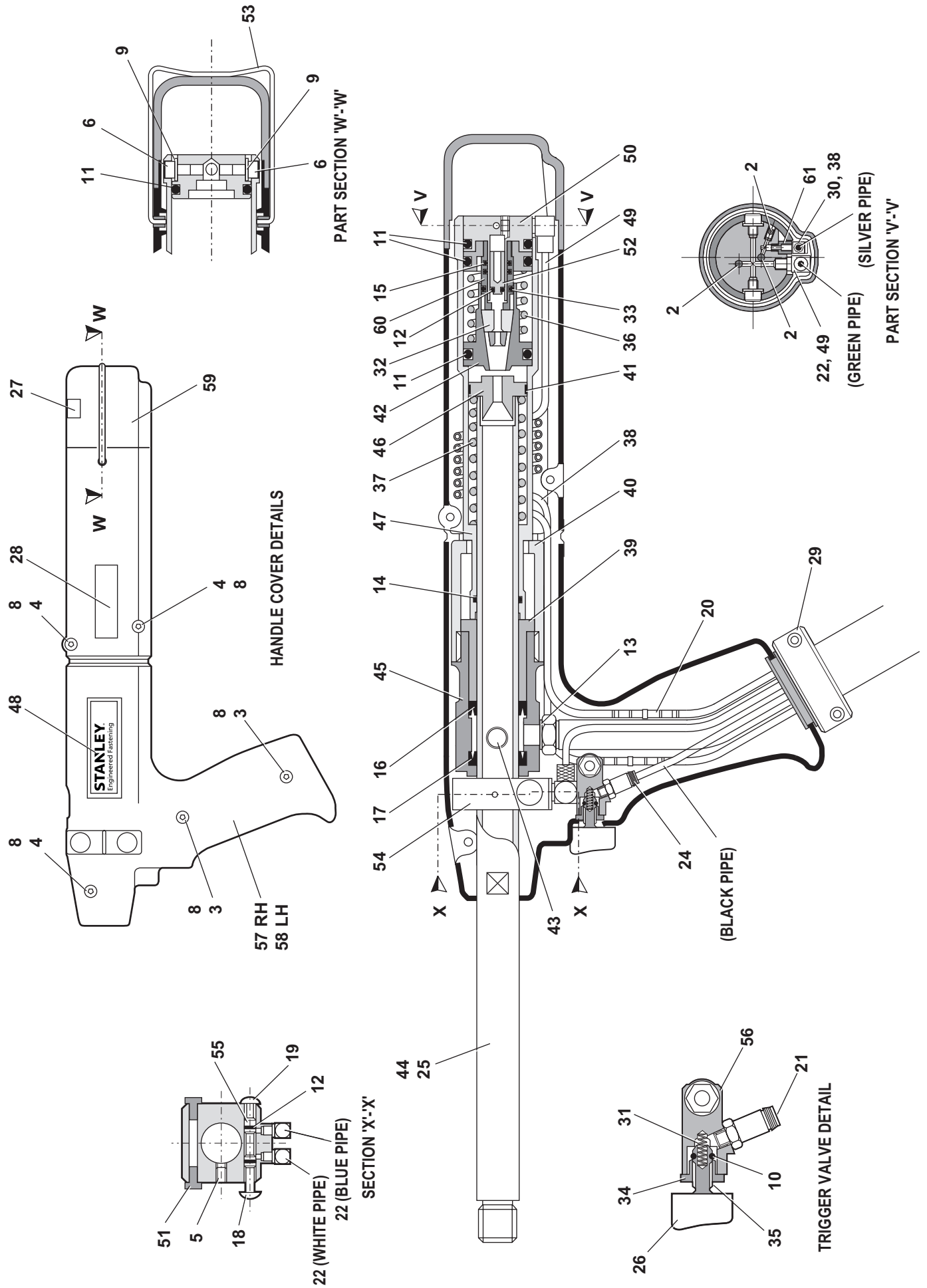
- Limpie y aceite el conjunto del cursor de vez en cuando con un poco de aceite ligero.

IMPORTANTE

Compruebe la herramienta tomando como referencia los datos de mantenimiento diario y semanal. El cebado es necesario SIEMPRE después de desmontar la herramienta y antes del funcionamiento.

* Se refiere a los elementos incluidos en el kit de mantenimiento 0753 Mkll. Para ver la lista completa, consulte la página 152. Los números de artículos en **negrita** se refieren a los conjuntos generales y a las listas de piezas de las páginas 157-158.

6.2 CONJUNTO GENERAL DE LA HERRAMIENTA BÁSICA 07536-02200



6.3 LISTA DE PIEZAS DE LA HERRAMIENTA BÁSICA 07536-02200

LISTA DE PIEZAS 07536-02200											
ART.	REF.	DESCRIPCIÓN	CANT.	PIEZAS REP.	ART.	REF.	DESCRIPCIÓN	CANT.	PIEZAS REP.		
1	07007-00392	SUJETACABLE (NO MOSTRADO)	1	-	34	07220-00803	RETÉN	1	-		
2	07001-00499	TORNILLO LARGO DE CAPUCHÓN M3x5	3	-	35	07241-00208	HUSILLO	1	-		
3	07001-00262	TORNILLO LARGO DE CAPUCHÓN M4x22	1	-	36	07154-00404	MUELLE	1	-		
4	07001-00401	TORNILLO LARGO DE CAPUCHÓN M4x10	4	-	37	07490-03002	MUELLE RETORNO CAÑÓN	1	-		
5	07001-00404	TORNILLO LARGO DE CAPUCHÓN M5x6	1	-	38	07536-02211	TUBO CONCERTINA CURSOR DE AIRE 3 MM - PLATEADO	1	-		
6	07001-00504	TORNILLO LARGO DE CAPUCHÓN M4x6	2	2	39	07536-00203	PISTÓN	1	-		
7					40	07530-00204	LIMITADOR DE CARRERA	1	-		
8	07002-00134	TUERCA HEXAGONAL M4	4	-	41	07530-00206	FILETE DE ROCE	1	1		
9	07002-00153	ARANDELA M4 [PLÁSTICA]	2	-	42	07536-00208	PORTAMORDAZAS	1	-		
10	07003-00022	JUNTA TÓRICA	1	-	43	07530-00500	CONJUNTO DEL TAPÓN DE PURGA [ARTS. 62 a 65] ●	1	-		
11	07003-00113	JUNTA TÓRICA	3	3	44	07536-02201	CAÑÓN	1	-		
12	07003-00121	JUNTA TÓRICA	3	3	45	07530-02202	CUERPO	1	-		
13	07003-00142	JUNTA ADHESIVA BSP 1/8"	1	1	46	07530-02205	TAPÓN DEL CAÑÓN	1	-		
14	07003-00167	JUNTA TÓRICA	1	1	47	07536-02207	CILINDRO MORDAZA POSTERIOR	1	-		
15	07003-00386	JUNTA TÓRICA	2	-	48	07530-02210	ETIQUETA	2	-		
16	07003-00236	JUNTA [DINÁMICA]	1	1	49	07536-02212	TUBO CONCERTINA CURSOR DE AIRE 4 MM - VERDE	1	-		
17	07003-00237	JUNTA [ESTÁTICA]	1	-	50	07536-02213	TAPÓN TRASERO	1	-		
18	07004-00058	ARANDELA CROMADA STARLOCK 1/8"	1	-	51	07530-00310	TAPÓN OBTURADOR	2	-		
19	07004-00059	ARANDELA NEGRA STARLOCK 1/8"	1	-	52	07536-02214	TOPE	1	-		
20	07005-10073	CONECTOR 3 MM	1	-	53	07530-02220	BRIDA	1	-		
21	07005-01357	CONECTOR TIPO COLLARÍN	1	-	54	07530-02301	BLOQUEO INTERRUPTOR	1	-		
22	07005-01571	CONECTOR ACODADO	3	-	55	07530-02302	BOBINA NEUMÁTICA MORDAZA POSTERIOR	1	-		
23	07536-02216	CONTRATUERCA	1	-	56	07530-02311	ALOJAMIENTO DEL GATILLO	1	-		
24	07005-10074	CONECTOR 2 MM	1	-	57	07536-02601	CONJUNTO MOLDURA EMPUÑADURA DCHA.	1	-		
25	07007-00017	TAPA GUARDAPOLVO	1	-	58	07536-02602	CONJUNTO MOLDURA EMPUÑADURA IZQ.	1	-		
26	07007-00300	BOTÓN DISPARADOR	1	-	59	07530-02603	COFIA POSTERIOR	1	-		
27	73200-02022	ETIQUETA SEGURIDAD	1	-	60	07536-02800	CONJUNTO PISTÓN POSTERIOR	1	-		
28	07007-01504	ETIQUETA MARCADO CE	1	-	61	07536-02215	ACCESORIO ADAPTADOR	1	-		
29	07008-00438	CONJUNTO MANGUERA FLEXIBLE	1	-	62	07003-00142	● JUNTA ESTANCA (NO MOSTRADA)	1	1		
30	07005-01323	CODO HARPONADO M3	1	-	63	07003-00194	● JUNTA ESTANCA (NO MOSTRADA)	1	1		
31	07125-00215	MUELLE	1	-	64	07001-00442	● TORNILLO (NO MOSTRADO)	1	1		
32	07151-00403	MANDÍBULAS POSTERIORES	1 par	2	65	07530-00501	● TAPÓN (NO MOSTRADO)	1	-		
33	07003-00016	JUNTA TÓRICA	1								

6.4 INSTRUCCIONES DE DESMONTAJE

- Cuando desmonte el conjunto del intensificador, desconecte primero la manguera de suministro de aire del conector de entrada del intensificador **22**.
- Con una llave Allen*, afloje los cuatro tornillos **27** y retire la placa de protección **24**.
- Desconecte la manguera del gatillo **47** de la válvula del intensificador **43** o **48** presionando el collarín exterior y retirando la manguera.
- Retire la placa de cierre **4** y el burlete **35** sacando los tornillos **37** y las arandelas **36** con una llave Allen*.
- Compruebe que el burlete no esté dañado, para garantizar el sellado adecuado del conjunto.
- Invierta el conjunto del intensificador y vacíe el aceite del depósito en un recipiente adecuado.
- Quite el conector de liberación rápida **32** junto con el conector **31** y las juntas **33** con una llave adecuada*.
- Retire la válvula del intensificador **43** o **48** sacando los tornillos de fijación con una llave adecuada teniendo cuidado de mantener la junta tórica **21** posicionada en la fundición del cuerpo del intensificador.
- Retire el tornillo **19** con una llave Allen* adecuada y retire la tapa del silenciador **16**, el silenciador de espuma **15**, el espaciador **18** y la placa de retención **20**.
- Retire el tubo de plástico de 6 mm **41** de los conectores de vacío **42**.
- Desde la base del intensificador, introduzca una llave Allen de 3 mm* por los dos orificios y desenrosque los conectores de vacío **42**. Nota:
 - Hay que tener cuidado porque los conectores de vacío están bloqueados y sellados en su posición con Loctite® 574.
 - Si le resulta difícil sacar los conectores de vacío, puede perforarlos con una broca de $\frac{3}{16}$ " o 4,7 mm de diámetro.
- Para volver a montar los conectores de vacío **42**, se debe seguir el siguiente procedimiento: -
 - Sumerja los conectores de vacío en una imprimación adecuada, p. ej., Perma Bond A905.
 - Coloque una gota de Loctite® 574 en el agujero roscado del intensificador.
 - Desde la base del intensificador introduzca la llave Allen* en el agujero. Compruebe que la llave Allen* esté libre de Loctite® 574, antes de introducirla en el conector de vacío.
 - Gire la llave Allen mientras aplica Loctite® 574 en la base del conector de vacío.
 - Introduzca el conector de vacío en el intensificador, compruebe que haya suficiente Loctite® 574 en la base del accesorio de modo que no se vea la rosca.
- Con un destornillador, retire con cuidado el anillo de retención interno **14**. Limpie e inspeccione la ranura para comprobar si tiene algún daño.
- Utilizando el extractor*, inserte el extremo roscado macho en la tapa del extremo **12** y retírelo junto con el manguito del intensificador **28** y las juntas tóricas **10** y **13**.
- Inserte el vástago* en el orificio del conector en la parte delantera del cuerpo del intensificador y saque el vástago del pistón **9** y el conjunto del pistón.
- Utilizando una llave Allen* adecuada, desenrosque dos tornillos **25** y quite la tapa del extremo **12** del manguito del intensificador **28**.
- Retire el tapón obturador **7** con la llave*.
- Inserte la varilla* en el orificio del conector en la parte delantera del cuerpo del intensificador y empuje hacia fuera del alojamiento de la junta **5** y las juntas tóricas y las juntas de labios correspondientes.
- Retire el conjunto del alojamiento de la válvula **34** del cuerpo principal con una llave de tuercas adecuada*. Limpie soplando con un chorro de aire a baja presión.
- Retire el vástago del pistón **9** del pistón de aire del intensificador **11** sujetando los primeros 20 mm ($\frac{3}{4}$) de la varilla en un tornillo de banco de mordazas blandas, teniendo cuidado de no dañar ni marcar la superficie de trabajo.
- Desenrosque la tuerca de bloqueo **17** con una llave de tuercas adecuada*.
- Monte en el orden inverso al de desmontaje, teniendo en cuenta lo siguiente:

* Se refiere a los artículos incluidos en el kit de mantenimiento 0753 Mkl. Para ver la lista completa, consulte la página 152. Los números de artículos en **negrita** se refieren a la ilustración y la lista de piezas del otro lado.

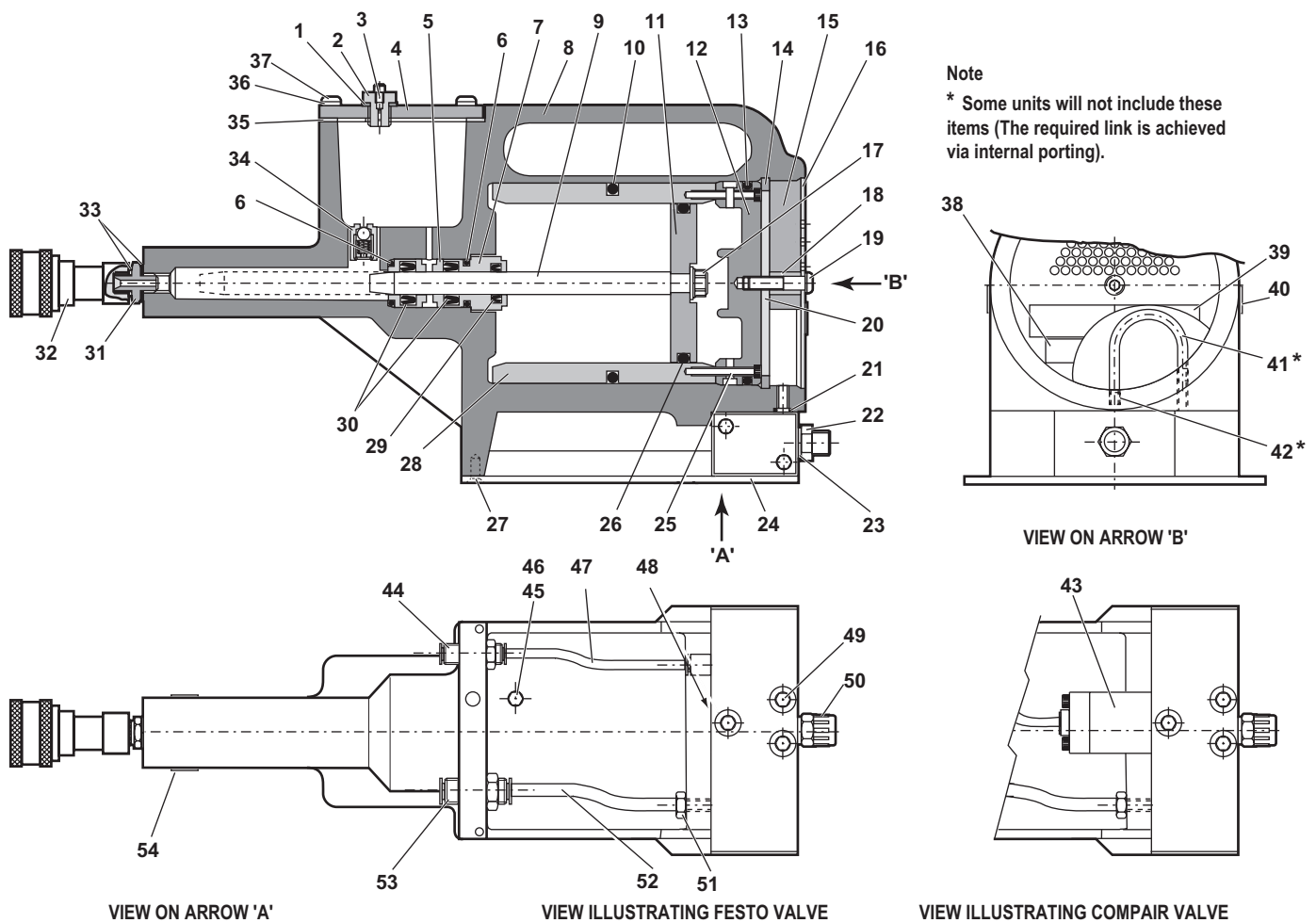
- Limpie todas las piezas y renueve todas las juntas tóricas.
- Lubrique todas las juntas con grasa Moly Lithium.
- Debe volver a colocar el conjunto del alojamiento de la válvula **34** con un adhesivo sellador de roscas.
- Monte el conjunto del pistón usando una tuerca **17** nueva.
- La tapa final **12** debe estar correctamente colocada dentro del anillo de retención **14**. No debe hacer funcionar la herramienta si no ha colocado la tapa del extremo.

IMPORTANTE
El cebado es necesario SIEMPRE después de desmontar la herramienta y antes del funcionamiento.

6.5 PROTECCIÓN DEL MEDIO AMBIENTE

Compruebe la conformidad con las normas de eliminación aplicables. Para no poner en peligro al personal ni al medio ambiente, deseche todos los productos de desecho en una instalación o punto limpio aprobado.

6.6 INTENSIFICADOR 07531-02200



* Se refiere a los artículos incluidos en el kit de mantenimiento 0753 MkII. Para ver la lista completa, consulte la página 152. Los números de artículos en **negrita** se refieren a la ilustración y la lista de piezas del otro lado.

LISTA DE PIEZAS 07531-02200									
ART.	REF.	DESCRIPCIÓN	CANT.	PIEZAS REP.	ART.	REF.	DESCRIPCIÓN	CANT.	PIEZAS REP.
1	07003-00037	JUNTA	1	1	28	07531-00201	MANGUITO	1	-
2	07240-00211	TORNILLO DE RELLENO	1	-	29	07003-00337	JUNTA DE LABIOS	1	1
3	07001-00418	TORNILLO DE PURGA	1	1	30	07003-00336	JUNTA DE LABIOS	2	2
4	07240-00210	PLACA DE CIERRE	1	-	31	07005-00406	CONECTOR	1	-
5	71420-02006	ALOJAMIENTO JUNTA	1	-	32	07005-00759	CONECTOR DE LIBERACIÓN RÁPIDA	1	-
6	07003-00153	JUNTA TÓRICA	2	-	33	07003-00142	JUNTA	2	1
7	71420-02007	TAPÓN OBTURADOR	1	-	34	07240-00400	CONJUNTO ALOJAMIENTO VÁLVULA	1	-
8	71420-02300	CONJUNTO DEL CUERPO	1	-	35	07240-00209	BURLETE	1	1
9	71420-02008	VÁSTAGO DEL PISTÓN	1	-	36	07002-00073	ARANDELA	4	1
10	07003-00182	JUNTA TÓRICA	1	1	37	07001-00554	TORNILLO	4	1
11	07531-00202	PISTÓN DE AIRE	1	-	38	07007-01504	ETIQUETA	1	-
12	07531-00204	TAPA FINAL	1	-	39	07240-00217	ETIQUETA	1	-
13	07003-00183	JUNTA TÓRICA	1	1	40	07531-00205	ETIQUETA	2	-
14	07004-00069	ANILLO DE RETENCIÓN	1	1	41	07005-00596	* TUBO DE PLÁSTICO 6 mm	-	-
15	07240-00213	SILENCIADOR DE ESPUMA	1	1	42	07245-00103	* CONECTOR DE VACÍO	2	-
16	07240-00214	TAPA DEL SILENCIADOR	1	-	43	07005-00590	VÁLVULA COMPAIR	1	1
17	07002-00017	TUERCA	1	1	44	07005-01431	CONECTOR PASANTE	1	1
18	07240-00215	SEPARADOR	1	-	45	07005-00668	TAPÓN M5	1	-
19	07001-00417	TORNILLO	1	1	46	07005-00670	ANILLO HERMÉTICO M5	1	-
20	07240-00216	PLACA DE RETENCIÓN	1	-	47	07005-01084	TUBO DE PLÁSTICO 4 mm (150 mm)	-	-
21	*07003-00042	JUNTA TÓRICA	1	1	48	07005-01524	VÁLVULA FESTO	1	-
22	07005-00041	CONECTOR	1	-	49	07001-00176	TORNILLO	3	-
23	07003-00065	ARANDELA	1	-	50	07007-00292	TAPÓN ROJO BSP 1/4"	1	-
24	07240-00220	PLACA PROTECTORA	1	-	51	07005-00647	CONECTOR	1	-
25	07001-00375	TORNILLO	2	-	52	07005-01085	TUBO DE PLÁSTICO 6 mm (150 mm)	-	-
26	07003-00238	JUNTA TÓRICA	1	1	53	07005-00855	UNIÓN PASANTE	1	-
27	07001-00396	TORNILLO	4	-	54	73200-02022	ETIQUETA SEGURIDAD	1	-

7. CEBADO

El cebado es necesario SIEMPRE después de desmontar la herramienta y antes del funcionamiento. También puede ser necesario para restablecer la carrera completa después de un uso considerable, si se ha reducido la carrera y los remaches ya no quedan totalmente colocados apretando el gatillo.

7.1 DATOS SOBRE EL ACEITE

El aceite recomendado para el cebado es Hyspin® VG32 y AWS 32, disponibles en envases de 0,5 l (núm. ref. 07992-00002) o de un galón (núm. ref. 07992-00006). Consulte los datos de seguridad de abajo.

7.2 DATOS DE SEGURIDAD - ACEITES® HYSPIN VG32 Y AWS 32

Primeros auxilios

PIEL:

Lávese bien la con agua y jabón tan pronto como pueda. El contacto accidental no requiere atención inmediata. El contacto breve no requiere atención inmediata.

INGESTIÓN:

Consulte inmediatamente a un médico. NO provoque el vómito.

OJOS:

Enjuague inmediatamente con agua durante varios minutos. Aunque NO es un irritante primario, pueden producirse pequeñas irritaciones después del contacto.

Incendios

Medios de extinción adecuados: CO₂, polvo seco, espuma o agua nebulizada. NO utilice chorros de agua.

Medioambiente

ELIMINACIÓN DE RESIDUOS: A través de un contratista autorizado a un sitio autorizado. Se puede incinerar. El producto usado puede enviarse para el reciclaje.

DERRAMES: Evite el vertido en desagües, alcantarillas y cursos de agua. Absorber con material absorbente.

Manejo

Utilice protección ocular, guantes impermeables (p. ej., de PVC) y un delantal de plástico. Utilice en una zona bien ventilada.

Almacenamiento

No se deben tomar precauciones especiales.

7.3 PROCEDIMIENTO DE CEBADO

IMPORTANTE

NO ACCIONAR EL GATILLO SI SE HA SACADO EL TORNILLO DE PURGA

Todas las operaciones deben realizarse en un lugar y un banco limpios, y con las manos limpias.

Compruebe que el aceite nuevo esté perfectamente limpio y no tenga burbujas de aire.

Siempre DEBE tener cuidado de que ningún material extraño entre en la herramienta pues pueden producirse daños graves.

- Retire el tornillo **2** y la junta **1** de la tapa de plástico **4** del depósito del intensificador.
- Vierta el aceite de cebado en el depósito hasta que quede aproximadamente a 1/2" (12 mm) de la parte superior.
- Vuelva a colocar el tornillo **2** y la junta **1**.
- Conecte el intensificador al suministro de aire. Retire el tornillo del depósito.
- Con la pistola 07536 pistola montada en el intensificador y manteniéndola por debajo del nivel del intensificador, desenrosque dos vueltas el tornillo de purga **64** del conjunto del tapón de purga **43** de la herramienta 07536 y deje que el aceite salga de la herramienta.
- Cuando el aceite fluya libremente sin burbujas de aire, apriete el tornillo de purga.
- Llene el depósito del intensificador con aceite de cebado.
- Efectúe un ciclo de operaciones con la herramienta hasta que salgan todas las burbujas de aire del aceite del depósito de aceite.

Los números de artículos en **negrita** se refieren a los conjuntos generales y a las listas de piezas de las páginas 157-160.

8. DIAGNÓSTICO DE ERRORES

SÍNTOMA	POSIBLE CAUSA	SOLUCIÓN	REF. PÁG.
La herramienta no coloca el remache	Baja presión de aire.	Aumente la presión de aire	
	Falta de lubricación.	Lubrique la herramienta en el punto de entrada de aire	
	Carga alta de la brocha.	Compruebe el agarre del remache y el tamaño del orificio de colocación	
	Compruebe que el tamaño del mandril sea correcto.		
	Mordazas posteriores desconectadas.	Conectar las mordazas posteriores	
	Aire en el sistema hidráulico.	Consulte "Procedimiento de cebado".	162
'Deslizamiento del mandril'- las mordazas no se agarran al mandril	Mordazas posteriores desgastadas o sucias.	Limpie o cambie según sea necesario	
	' Presión o volumen de aire insuficiente.	Aumente la presión/volumen de aire	
	'Interruptor de mordazas posteriores inoperable.	Sustituya el interruptor	
	'Fugas de aire hacia las mordazas posteriores.	Cambie las juntas tóricas del pistón 11	
	Mandril roto y que no llega a las mordazas posteriores.	Sustituya el mandril	
	Fallo en la caja de control neumático.	Contactar con el personal de Stanley Engineered Fastening	
Las mandíbulas no soltarán el mandril	Mordazas posteriores o portamordazas sucias.	Limpie y lubrique	
	Interruptor de las mordazas traseras defectuoso.	Sustituya las juntas tóricas	
	Señal de aire atrapado	Compruebe las líneas neumáticas	
	Fallo en la caja de control neumático	Contactar con el personal de Stanley Engineered Fastening	
Los remaches no se alimentan por las mordazas de la boquilla	Mordazas posteriores no conectadas.	Conectar las mordazas posteriores	
	Mordazas posteriores desgastadas.	Cambiar las mordazas posteriores	
	La orientación del cursor es incorrecta.	Vuelva a colocarlas con la orientación correcta	
	Cursor incorrecto	Coloque el cursor correcto	
	Mordazas de la boquilla incorrectas.	Coloque las mordazas de la boquilla correctas	
	Muelle de empuje del mandril no colocado.	Coloque el muelle de empuje del mandril correcto	
	Longitud del empujador del mandril	Coloque el empujador del mandril correcto	
	Espacio incorrecto entre la cabeza del remache y las mordazas de la boquilla cuando están cargadas.	Ajuste el espacio a 1.5 mm – 3 mm (1/16"- 1/8") Consulte 'Carga de la herramienta'	149-150
	Cursor agarrotado.	Limpie y aceite el cursor	
	Cursor de aire desgastado	Cambie el cursor	
	El muelle de empuje del mandril está colocado incorrectamente.	Coloque el muelle de empuje del mandril correcto	
	Muelle de retorno del cañón desgastado o roto	Sustituya el muelle de retorno del cañón	
Desgaste excesivo de la mandíbula de cola	Carga alta de la brocha.	Compruebe el tamaño y el grosor del orificio de colocación y la capacidad de agarre de la fijación	
Alimentar más de una fijación a la vez	Deslizamiento del mandril.	Compruebe "Deslizamiento del mandril", fase 2	
	Espacio incorrecto entre la cabeza de la fijación y las mandíbulas de la boquilla cuando están cargadas	Ajuste el espacio a 1.5 mm – 3 mm (1/16"- 1/8") Consulte 'Carga de la herramienta' en la página	149-150

Si encuentra otros síntomas o fallos, debería informarlos a su distribuidor local o a un centro técnico local autorizado de Stanley Engineered Fastening.

NOTAS

9. DECLARACIÓN DE CONFORMIDAD CE

Nosotros, **Stanley Engineered Fastening, Stanley House, Works Road, Letchworth Garden City, Hertfordshire, SG6 1JY REINO UNIDO**, declaramos bajo nuestra exclusiva responsabilidad que el producto:

Descripción: Herramienta hidroneumática de repetición para remaches rápidos

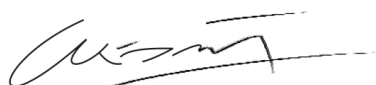
Modelo: 07536

al que se refiere esta declaración es conforme a las siguientes normas armonizadas:

ISO 12100:2010	EN ISO 3744:2010
EN ISO 11202:2010	EN ISO 11148-1:2011
EN ISO 4413:2010	BS EN 28662-1:1993
EN ISO 4414:2010	EN ISO 20643:2008+A1:2012
EN ISO 28927-5:2009+A1:2015	ES100118-rev 17:2017

La documentación técnica ha sido elaborada de conformidad con el Anexo VII, de la siguiente Directiva: **Directiva de máquinas 2006/42/CE** (Instrumentos legislativos 2008, n.º 1597 - Reglamento sobre suministro de máquinas [seguridad]).

El abajo firmante expide la presente declaración en nombre y representación de STANLEY Engineered Fastening



A. K. Seewraj

Director de Ingeniería, Reino Unido

Avdel UK Limited, Stanley House, Works Road, Letchworth Garden City, Hertfordshire, SG6 1JY REINO UNIDO

Lugar de edición: Letchworth Garden City, UK

Fecha de edición: 01-01-2021

El abajo firmante es responsable de la elaboración de la documentación técnica de los productos que se venden en la Unión Europea y expide la presente declaración en nombre y representación de Stanley Engineered Fastening.

Matthias Appel

Jefe de equipo de documentación técnica

Stanley Engineered Fastening, Tucker GmbH, Max-Eyth-Str.1, 35394 Gießen, Alemania



**Esta máquina cumple
la Directiva de máquinas 2006/42/CE**

10. DECLARACIÓN DE CONFORMIDAD DEL REINO UNIDO

Nosotros, **Stanley Engineered Fastening, Stanley House, Works Road, Letchworth Garden City, Hertfordshire, SG6 1JY REINO UNIDO**, declaramos bajo nuestra exclusiva responsabilidad que el producto:

Descripción: Herramienta hidroneumática de repetición para remaches rápidos

Modelo: 07536

al que se refiere esta declaración es conforme a las siguientes normas designadas:

ISO 12100:2010	EN ISO 3744:2010
EN ISO 11202:2010	EN ISO 11148-1:2011
EN ISO 4413:2010	BS EN 28662-1:1993
EN ISO 4414:2010	EN ISO 20643:2008+A1:2012
EN ISO 28927-5:2009+A1:2015	ES100118-rev 17:2017

La documentación técnica ha sido elaborada de conformidad con el Reglamento de suministro de máquinas (seguridad) de 2008, S.I. 2008/1597 (en su versión modificada).

El abajo firmante expide la presente declaración en nombre y representación de STANLEY Engineered Fastening



A. K. Seewraj

Director de Ingeniería, Reino Unido

Avdel UK Limited, Stanley House, Works Road, Letchworth Garden City, Hertfordshire,
SG6 1JY REINO UNIDO

Lugar de edición: Letchworth Garden City, UK

Fecha de edición: 01-01-2021



Esta máquina cumple
el Reglamento de suministro de máquinas (seguridad) de
2008,
S.I. 2008/1597 (y sus modificaciones)

11. ¡PROTEJA SU INVERSIÓN!

GARANTÍA DE LA REMACHADORA Stanley® Engineered Fastening

STANLEY® Engineered Fastening le garantiza que todas las herramientas han sido fabricadas cuidadosamente y no presentarán ningún defecto en sus materiales o en su funcionamiento al usarse de manera normal y durante un periodo de (1) año.

Esta garantía se aplica al primer comprador de la herramienta y solo para su uso original.

Excepciones:

Desgaste normal.

El mantenimiento periódico, la reparación o la sustitución de piezas debido al desgaste normal están excluidos de la garantía.

Uso indebido.

Cualquier defecto o daño causado por un uso o un almacenamiento inadecuado, un accidente o negligencia, así como un daño físico, quedarán excluidos de la garantía.

Reparaciones o modificaciones no autorizadas.

Cualquier defecto o daño producido por un servicio, ajuste de prueba, instalación, mantenimiento o modificación llevado a cabo por personal que no sea de STANLEY® Engineered Fastening, o alguno de sus centros autorizados, quedarán excluidos de la garantía.

No se aplicará ninguna otra garantía, expresa o implícitamente indicada, incluyendo las garantías de comercialización o adecuación para un propósito concreto.

En caso de que esta herramienta falle estando en garantía, devuélvala a nuestro centro de servicio autorizado más cercano. Para obtener una lista de los Centros de servicio autorizados de STANLEY® Engineered Fastening en EE. UU. y Canadá, póngase en contacto con nosotros llamando al número gratuito (877)364 2781.

Fuera de EE. UU. y Canadá, visite nuestro sitio web **www.StanleyEngineeredFastening.com** para encontrar la oficina de STANLEY Engineered Fastening más próxima a su localidad.

STANLEY Engineered Fastening sustituirá gratis cualquier pieza que, según nuestro criterio, sea defectuosa debido a fallos del material o de fabricación y devolverá la herramienta con portes pagados. Esto constituye nuestra única obligación de conformidad con la presente garantía.

En ningún caso STANLEY Engineered Fastening se hará responsable de daños consecuentes o especiales que pudieran derivarse del uso de esta herramienta.

Registrar la remachadora online.

Para registrar su garantía on-line, visite nuestra página

<https://www.stanleyengineeredfastening.com/support/warranty-registration-form>

Gracias por elegir una herramienta de la marca Stanley Assembly Technologies de STANLEY® Engineered Fastening.

©2021 Stanley Black & Decker inc.
Alle rechten voorbehouden.

De verstrekte informatie mag niet worden gereproduceerd en/of openbaar gemaakt, op welke wijze en met welke middelen dan ook (elektronisch of mechanisch), zonder voorafgaande uitdrukkelijke en schriftelijke toestemming van STANLEY Engineered Fastening. De verstrekte informatie is gebaseerd op de gegevens die bekend waren op het moment van het verschijnen van dit product. STANLEY Engineered Fastening voert een beleid van continue productverbetering, wijzigingen van producten zijn derhalve voorbehouden. De verstrekte informatie is geldig voor het product zoals dit door STANLEY Engineered Fastening is geleverd. STANLEY Engineered Fastening kan derhalve niet aansprakelijk worden gesteld voor eventuele schade voortvloeiend uit afwijkingen van de oorspronkelijke specificaties van het product.

De beschikbare informatie is met alle mogelijke zorg samengesteld. STANLEY Engineered Fastening kan niet aansprakelijk worden gesteld voor eventuele fouten in de informatie of voor de gevolgen daarvan. STANLEY Engineered Fastening kan niet aansprakelijk worden gesteld voor schade voortvloeiend uit werkzaamheden die door derden zijn uitgevoerd. De door STANLEY Engineered Fastening gebruikte gebruiksnamen, handelsnamen, geregistreerde handelsmerken, etc. mogen krachtens de wetgeving inzake de bescherming van handelsmerken niet als vrij worden beschouwd.

1. VEILIGHEIDSVOORSCHRIFTEN	170
1.1 ALGEMENE VEILIGHEIDSVOORSCHRIFTEN.....	170
1.2 RISICO'S OP PROJECTIELEN	170
1.3 OPERATIONELE RISICO'S	171
1.4 GEVAREN BIJ HERHAALDE BEWEGINGEN.....	171
1.5 GEVAREN BIJ GEBRUIK VAN ACCESSOIRES	171
1.6 GEVAREN OP DE WERKPLEK	171
1.7 GEVAAR VAN LAWAAI	172
1.8 GEVAAR VAN TRILLINGEN.....	172
1.9 AANVULLENDE VEILIGHEIDSinSTRUCTIES VOOR HET GEBRUIK VAN PNEUMATISCH HYDRAULISCH GEREEDSCHAP	172
2. SPECIFICATIES	173
2.1 SPECIFICATIE VOOR GEREEDSCHAP 07536.....	173
2.2 SPECIFICATIE VOOR 07531 INTENSIFIER.....	173
3. BEDOELD GEBRUIK	174
3.1 AFMETINGEN VAN HET GEREEDSCHAP - 07536-MODEL	174
4. INGEBRUIKNAME	175
4.1 LUCHTTOEVOER	175
4.2 LUCHTGELEIDERS.....	176
4.3 HET GEREEDSCHAP LADEN EN OPNIEUW LADEN.....	176
4.4 BEDIENINGSPROCEDURE	178
5. HET GEREEDSCHAP ONDERHOUDEN	179
5.1 PNEUMATISCHE REGELKAST	179
5.2 DAGELIJKS	179
5.3 WEKELIJKS.....	179
5.4 VEILIGHEIDSGEGEVENS MOLY LITHIUM GREASE EP 3753.....	179
5.5 ONDERHOUDSSET	180
5.6 LUCHTGELEIDER, INTENSIFIER & REGELKASTEENHEID 07536-02100.....	181
6. ONDERHOUD.....	182
6.1 UIT ELKAAR HALEN 07536-02200	182
6.2 ALGEMENE MONTAGE VAN BASISGEREEDSCHAP 07536-02200.....	185
6.3 ONDERDELENLIJST VOOR BASISGEREEDSCHAP 07536-02200.....	186
6.4 INSTRUCTIES VOOR DE DEMONTAGE	187
6.5 HET MILIEU BESCHERMEN	188
6.6 INTENSIFIER 07531-02200.....	188
7. AANZUIGEN/PRIMEN.....	190
7.1 OLIEGEGEVENS	190
7.2 HYPIN® VG32 EN AWS 32 OLIE - VEILIGHEIDSGEGEVENS.....	190
7.3 PRIMINGPROCEDURE.....	190
8. FOUTDIAGNOSE.....	191
9. CE CONFORMITEITSVERKLARING.....	193
10. VK VERKLARING VAN OVEREENSTEMMING.....	194
11. BESCHERM UW INVESTERING!.....	195



Deze gebruiksaanwijzing moet worden gelezen door alle personen die dit gereedschap installeren of gebruiken, met bijzondere aandacht voor de volgende veiligheidsvoorschriften.



Draag altijd slagvaste oogbescherming als met het gereedschap wordt gewerkt. Het niveau van bescherming dient vóór elk gebruik beoordeeld te worden.



Gebruik gehoorbescherming overeenkomstig de voorschriften van de werkgever en zoals vereist door de regelgeving inzake gezondheid en veiligheid op de werkplek.



Het gebruik van het gereedschap kan de handen van de gebruiker blootstellen aan risico's zoals beklemd raken, snij- en schaafwonden, stoten en hitte. Draag geschikte handschoenen voor het beschermen van de handen.

1. VEILIGHEIDSVOORSCHRIFTEN

De onderstaande voorschriften beschrijven het veiligheidsniveau voor elk signaalwoord. Lees de gebruiksaanwijzing door en let vooral op deze symbolen.

⚠ GEVAAR: Geeft een dreigend gevaar aan dat, als dit niet wordt voorkomen, leidt tot een ongeval met dodelijke afloop of tot ernstig letsel.

⚠ WAARSCHUWING: Geeft een mogelijk gevaar aan dat, indien dit niet wordt voorkomen, kan leiden tot de dood of ernstig letsel.

⚠ LET OP: Geeft een mogelijk gevaarlijke situatie aan die, als deze niet wordt voorkomen, zou kunnen leiden tot gering of minder ernstig letsel.

⚠ LET OP: Gebruikt zonder het waarschuwingssymbool geeft dit een mogelijk gevaarlijke situatie aan die, als deze niet wordt voorkomen, kan leiden tot materiële schade.

Verkeerd gebruik of onderhoud van dit apparaat kan leiden tot ernstig letsel en materiële schade. Lees en begrijp alle waarschuwingen en bedieningsinstructies voordat u dit gereedschap gebruikt. Wanneer u elektrisch gereedschap gebruikt, moet u altijd de elementaire veiligheidsmaatregelen in acht nemen zodat het risico op persoonlijk letsel wordt beperkt.

BEWAAR ALLE WAARSCHUWINGEN EN INSTRUCTIES ALS TOEKOMSTIG REFERENTIEMATERIAAL

1.1 ALGEMENE VEILIGHEIDSVOORSCHRIFTEN

- Ter voorkoming van meerdere gevaren dient u de veiligheidsvoorschriften te lezen en te gebruiken voordat het gereedschap wordt geïnstalleerd, gebruikt, gerepareerd, onderhouden of accessoires worden vervangen, dit is tevens van toepassing voor het werken in de buurt van het gereedschap. Het niet opvolgen van deze instructies kan tot ernstige lichamelijke verwondingen leiden.
- Uitsluitend gekwalificeerde en geschoolde gebruikers mogen dit gereedschap installeren, aanpassen en/of gebruiken.
- NIET voor andere doeleinden gebruiken dan het plaatsen van STANLEY Engineered Fastening Blindklinknagels.
- Gebruik alleen onderdelen, blindklinknagels en accessoires die door de fabrikant worden aanbevolen.
- Het gereedschap NIET aanpassen. Aanpassingen kunnen de effectiviteit van de veiligheidsmaatregelen verlagen en het risico voor de gebruiker verhogen. Een door de klant uitgevoerde wijziging van het gereedschap is uitsluitend en volledig de verantwoordelijkheid van de klant, als gevolg waarvan de garantie vervalt.
- Gooi de veiligheidsvoorschriften niet weg, overhandig deze aan de gebruiker.
- Gebruik het gereedschap NIET als deze is beschadigd.
- Controleer vóór het gebruik een eventuele onjuiste uitlijning en het aanlopen van bewegende onderdelen, defecte onderdelen en andere omstandigheden die de werking van het gereedschap nadelig kunnen beïnvloeden. Laat het gereedschap, als het is beschadigd, repareren, voordat u het weer gebruikt. Verwijder voor gebruik alle inbussleutels of steeksleutels.
- Gereedschappen dienen periodiek geïnspecteerd te worden, om te verifiëren dat de classificaties en markeringen zoals vereist door dit deel van ISO 11148 goed leesbaar zijn op het gereedschap. Wanneer dat nodig is, moet de werkgever/gebruiker voor vervangende etiketten contact opnemen met de fabrikant.
- Het gereedschap moet te allen tijde in een veilige en goed staat worden onderhouden en regelmatig op beschadigingen en de juiste werking worden gecontroleerd door geschoold personeel. Demontage-werkzaamheden moeten altijd door getraind personeel worden uitgevoerd. Demonteer het gereedschap niet zonder eerst de onderhoudsinstructies te raadplegen.

1.2 RISICO'S OP PROJECTIELEN

- Koppel het gereedschap los van de luchttoevoer voordat onderhoud wordt uitgevoerd of geprobeerd wordt om een neusstuk of accessoires aan te passen, te monteren of te verwijderen.
- Wees alert op het feit dat een defect of storing van het werkstuk of de accessoires, of zelfs van het geplaatste gereedschap zelf, projectielen met een hoge snelheid kunnen genereren.

- Draag altijd slagvaste oogbescherming als met het gereedschap wordt gewerkt. Het niveau van bescherming dient vóór elk gebruik beoordeeld te worden.
- Op datzelfde moment dient ook het risico voor derden beoordeeld te worden.
- Controleer of het werkstuk veilig en goed werd bevestigd.
- Controleer of de bescherming tegen het uitwerpen van een blindklinknagel en/of nagel op de juiste plek aanwezig is en goed functioneert.
- Waarschuw tegen het mogelijk 'gedwongen' uitwerpen van nagels vanuit de voorzijde van het gereedschap.
- Bedien het gereedschap NIET als het op iemand/anderen is gericht.

1.3 OPERATIONELE RISICO'S

- Het gebruik van het gereedschap kan de handen van de gebruiker blootstellen aan risico's, inclusief het beklemd raken, inslag, snij- en schaafwonden en hitte. Draag geschikte handschoenen voor het beschermen van de handen.
- Gebruikers en onderhoudspersoneel moeten fysiek in staat zijn om de massa, het gewicht en de kracht van het gereedschap te kunnen hanteren.
- Het gereedschap dient op de juiste manier vastgehouden te worden; de gebruiker dient gereed te zijn om normale of plotselinge bewegingen te neutraliseren en de gebruiker dient beide handen ter beschikking te hebben.
- Houd de handgrepen droog, schoon en vrij van olie en vet.
- Zorg voor een evenwichtige stand van het lichaam en een stevige stand van de voeten tijdens het werken met het gereedschap.
- Het start/stop-apparaat vrijgeven als er een onderbreking is van de hydraulische toevoer.
- Uitsluitend smeermiddelen gebruiken die door de fabrikant worden aanbevolen.
- Vermijd contact met hydraulische vloeistoffen. Voorkom uitslag van de huid, bij contact dient u zich zorgvuldig te wassen.
- Gegevensbladen Materiaalveiligheid zijn voor alle hydraulische oliën en smeermiddelen op aanvraag verkrijgbaar bij uw leverancier van het gereedschap.
- Voorkom ongeschikte houdingen, omdat het waarschijnlijk is dat het in dergelijke houdingen niet mogelijk is om normale en/of onverwachte bewegingen van het gereedschap te neutraliseren.
- Als het gereedschap is bevestigd aan een ophangelement, controleer dan of de ophanging veilig is.
- Wees alert op het pletgevaar als het neusstuk niet werd aangebracht.
- Gebruik het gereedschap NIET zonder de neushouder.
- Er is voldoende ruimte nodig voor de handen van de gebruiker.
- Houd uw handen uit de buurt van de bedieningsschakelaar wanneer u het gereedschap verplaatst om incidenteel opstarten te voorkomen.
- Gebruik het gereedschap NOOIT verkeerd, laat het niet vallen en gebruik het niet als hamer.
- Let op dat de restnagels geen gevaarlijke situatie veroorzaken.

1.4 GEVAREN BIJ HERHAALDE BEWEGINGEN

- Tijdens het hanteren van het gereedschap kan de gebruiker een onaangenaam gevoel ervaren in de handen, armen, schouders, nek of andere delen van het lichaam.
- Bij het hanteren van het gereedschap moet de gebruiker een comfortabele houding aannemen, terwijl tegelijkertijd een goede en veilige stand van de voeten wordt behouden en een ongemakkelijke en/of onevenwichtige houding wordt voorkomen. Bij langdurige werkzaamheden moet de gebruiker van houding veranderen; hierdoor kan een onaangenaam gevoel en vermoeidheid worden voorkomen.
- Als de gebruiker symptomen ervaart zoals een aanhoudend onaangenaam gevoel, pijn, kloppend gevoel, tintelingen, gevoelloosheid, branderig gevoel of stijfheid, dienen deze waarschuwingssignalen niet genegeerd te worden. De gebruiker moet de werkgever informeren en contact opnemen met een gekwalificeerde gezondheidsdeskundige.

1.5 GEVAREN BIJ GEBRUIK VAN ACCESSOIRES

- Ontkoppel het gereedschap van de luchttoevoer voordat u het neusstuk of accessoire monteert of verwijdert.
- Gebruik uitsluitende de formaten en soorten van de accessoires en verbruiksartikelen die door de fabrikant van het gereedschap worden aanbevolen; geen andere formaten en soorten van de accessoires en verbruiksartikelen gebruiken.

1.6 GEVAREN OP DE WERKPLEK

- Het uitglijden, struikelen en vallen zijn de belangrijkste oorzaken van verwondingen op de werkplek. Houd rekening met door het gereedschap veroorzaakte gladde oppervlakken en let ook op risico's van struikelen, veroorzaakt door de luchtslang of de hydraulische slang.
- Ga voorzichtig te werk in onbekende omgevingen. Hier kunnen verborgen risico's aanwezig zijn, zoals stroomkabels of andere kabels van andere nutsvoorzieningen.
- Het gereedschap is niet bedoeld voor gebruik in potentieel explosieve omgevingen en is niet geïsoleerd tegen contact met elektriciteit.
- Controleer of er geen stroomkabels, gasleidingen, enz. aanwezig zijn die beschadigd kunnen worden als gevolg van het gebruiken van het gereedschap.
- Draag de juiste kleding. Draag geen loszittende kleding of sieraden. Houd uw haar, kleding en handschoenen weg bij bewegende onderdelen. Loszittende kleding, sieraden of lang haar kunnen door bewegende delen worden gegrepen.

- Let op dat de restnagels geen gevaarlijke situatie veroorzaken.

1.7 GEVAAR VAN LAWAAI

- Blootstelling aan hoge geluidsniveaus kan permanent gehoorverlies en andere problemen veroorzaken, zoals tinnitus oftewel oorsuizen (rinkelend, zoemend, brommend, of huilend geluid in de oren). Daarom is een risicobeoordeling en het gebruik van de daarvoor geschikte controles voor deze risico's van groot belang.
- Geschikte bedieningsfuncties voor het verminderen van de risico's omvatten o.a. het gebruik van geluidsdempende materialen om te voorkomen dat werkstukken 'rinkelen'.
- Gebruik gehoorbescherming in overeenstemming met de voorschriften van de werkgever en zoals vereist door de regelgeving op het gebied van gezondheid en veiligheid op de werkplek.
- Het gereedschap bedienen en onderhouden zoals aanbevolen in de gebruiksaanwijzing, zodat het onnodig verhogen van het geluidsniveau wordt voorkomen.

1.8 GEVAAR VAN TRILLINGEN

- Blootstelling aan trillingen kan beschadigingen van de zenuwen en de bloedtoevoer van handen en armen veroorzaken.
- Draag warme kleding bij het werken in koude omstandigheden en zorg dat uw handen droog en warm blijven.
- Als u gevoelloosheid, tintelingen, pijn of het wit worden van de huid van vingers of handen ervaart, dient u te stoppen met het gebruik van het gereedschap, uw werkgever te informeren en een arts te raadplegen.
- Ondersteun, indien mogelijk, het gewicht van het gereedschap door het in een standaard, spaninrichting of balanceerapparaat te plaatsen, omdat op deze manier een minder sterke grip voor de ondersteuning van het gereedschap nodig is.

1.9 AANVULLENDE VEILIGHEIDSINSTRUCTIES VOOR HYDRAULISCH GEREEDSCHAP

- De werkdruk mag niet hoger zijn dan 7 bar (100 PSI).
- Lucht die onder druk staat kan ernstige verwondingen veroorzaken.
- Laat het gereedschap nooit zonder toezicht liggen. Verwijder de luchtslang als het gereedschap niet wordt gebruikt, voordat accessoires worden vervangen of voor het uitvoeren van reparaties.
- Richt de luchtafvoer van de restnagel-opvangbak NIET op uzelf of andere personen. Richt nooit lucht op uzelf of iemand anders.
- Slangen die slaande bewegingen maken, kunnen ernstige letsels veroorzaken. Controleer altijd op beschadigde of losse slangen en koppelingen.
- Controleer de luchttoevoer voor gebruik op schade en zorg ervoor dat alle verbindingen stevig vastzitten. Laat geen zware voorwerpen op de slangen vallen. Een scherp voorwerp kan interne schade veroorzaken en de levensduur van de slang verkorten.]
- Koude lucht moet van handen worden weggeleid.
- Waar universele gedraaide koppelingen (klauwverbindingen) worden gebruikt, dienen borgpennen en een veiligheidskabel geplaatst te worden om te beveiligen tegen mogelijke defecten van slang-gereedschap-verbindingen of slang-slang-verbindingen.
- Til het gereedschap NIET op aan de slang. Gebruik altijd de handgreep van het gereedschap.
- Ventilatiegaten mogen niet worden geblokkeerd of afgedekt.
- Houd stof en vuil uit het hydraulische systeem van het gereedschap omdat dit een storing kan veroorzaken.
- Olie onder druk kan ernstige letsels veroorzaken.
- Vóór het gebruik de hydraulische slangen op beschadigingen controleren. Vóór het in werking stellen, moeten alle hydraulische verbindingen schoon zijn en volledig en vast zijn aangesloten. Laat geen zware voorwerpen op de slangen vallen. Een scherp voorwerp kan interne schade veroorzaken en de levensduur van de slang verkorten.
- De intensifiereenheid NIET verplaatsen via de slangen en niet aan de slangen trekken. Gebruik altijd de handgreep van de eenheid.
- Gebruik alleen schone olie en vulapparatuur.
- Alleen de aanbevolen hydraulische vloeistoffen mogen worden gebruikt.
- De maximale temperatuur van de hydraulische vloeistof bij de inlaat is 100°C (212°F).

⚠ WAARSCHUWING: Ook al is geringe slijtage en krassen gangbaar, bij normaal en correct gebruik van draadstiften, moeten ze toch regelmatig worden gecontroleerd op ernstige slijtage en krassen. Let in het bijzonder op de kopdiameter, het gedeelte waar de klembek vastgrijpt en deuken of vervormingen van de draadstift. Draadstiften die tijdens gebruik breken, kunnen hard uit het gereedschap schieten. Het is de verantwoordelijkheid van de gebruiker om er voor te zorgen dat het gereedschap wordt onderhouden voordat ernstige slijtage optreedt, controleer dit ook altijd voordat het maximaal aantal bevestigingen werd gerealiseerd. Neem contact op met uw STANLEY Engineered Fastening vertegenwoordiger, die kan u vertellen wat de waarde is door uw gereedschap te meten met een gekalibreerd meetinstrument.

STANLEY Engineered Fastening voert een beleid van constante productontwikkeling en productverbetering, en wij behouden ons het recht voor de specificaties van onze producten te wijzigen zonder voorafgaande kennisgeving.

2. SPECIFICATIES

2.1 SPECIFICATIE VOOR GEREEDSCHAP 07536

Luchtdruk	Minimum - Maximum	5-7 bar (70-100 lbf/in ²)
Vereist vrij luchtvolume	@ 5,1 bar /75 lbf/in ²	2,6 liter (0.09 ft ³)
Slag	Minimum	25 mm (1 in)
Trekkraft	@ 5,5 bar /80 lbf/in ²	3,89 kN (875 lbf)
Cyclustijd	Ongeveer	1 seconde
Gewicht	Pistool	1,2 kg (2,64 lb)

2.2 SPECIFICATIE VOOR 07531 INTENSIFIEER

Luchtdruk	Minimum - Maximum	5-7 bar (70-100 lbf/in ²)
Verhouding van de versterking		32:1

Geluidsmeting bepaald op basis van de test voor de specifieke normen geluidsmeting machines, testcode ISO 15744 en ISO 3744.		07536
A-gewogen geluidsniveau dB(A), L _{WA}	Onzekerheid geluidsniveau: k _{WA} = 2.3 dB(A)	79.5 dB(A)
A-gewogen uitgestraalde geluidsniveau bij het werkstation dB(A), L _{pA}	Onzekerheid geluidsniveau: k _{pA} = 2.3 dB(A)	68.5 dB(A)
C-gewogen piekgeluidsdruk niveau dB(C), L _{pC} , piek	Onzekerheid geluidsniveau: k _{pC} = 2.5 dB(C)	96.9 dB(C)
Trillingswaarden bepaald op basis van de testcode ISO 20643 en ISO 5349 voor trillingen.		07536
Niveau van de trillingsemmissie, a _{hd} .	Onzekerheid trillingsniveau: k = 0.25 m/s ²	0.97 m/s ²
Genoemde trillingswaarden in overeenkomst met EN 12096		

3. BEDOELD GEBRUIK

Het pneumatische gereedschap 07536 is draagbaar, licht gereedschap dat werd ontwikkeld voor het aanbrengen 1/16" Avlug®, waardoor het ideaal is voor batchprocessen en continue processen voor een breed bereik aan toepassingen, voor alle sectoren.

Het handgereedschap en de intensifier werden afzonderlijk getest en gecombineerd. Ze mogen alleen samen gebruikt worden en voor geen andere doeleinden. Raadpleeg "In gebruik nemen" op pagina 175-178 voor meer informatie over het aansluiten.

De onderdeelnummers worden weergegeven om een volledige set gereedschap te bestellen, maar zonder neusstuk.

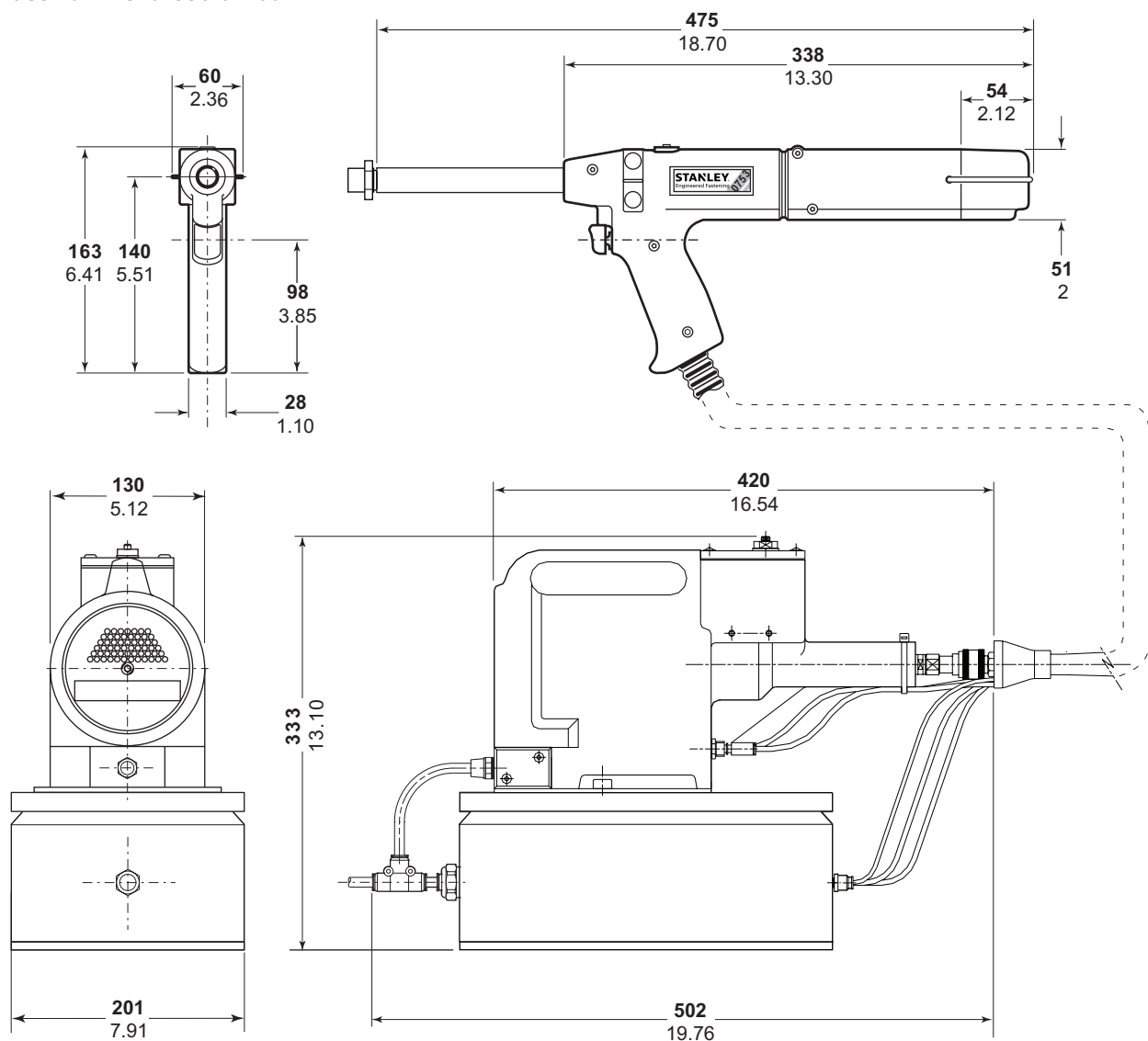
Het onderdeelnummer voor het 07536-model is 07536-02200.

Bekijk de algemene assemblages op pagina's 181-189.

NIET GEBRUIKEN bij natte omstandigheden of in de aanwezigheid van ontvlambare vloeistoffen of gassen.

3.1 AFMETINGEN VAN HET GEREEDSCHAP - 07536-MODEL

Onderdeelnummer 07536-02100



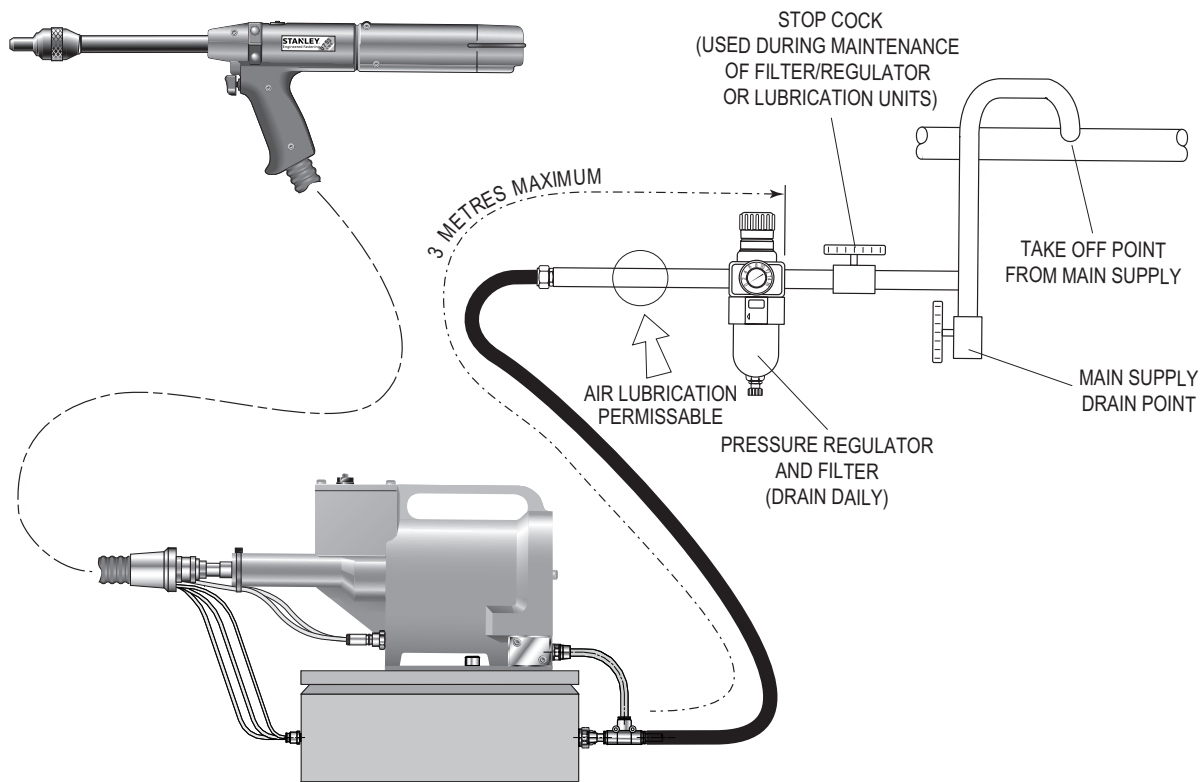
Afmetingen in mm.

4. INGEBRUIKNAME

4.1 LUCHTTOEVOER

Alle gereedschappen worden bediend met perslucht, bij een optimale druk van 5,5 bar. Voor de hoofdlichttoevoer adviseren wij het gebruik van drukregelaars en automatische oliefilter. Om de maximale levensduur en een minimum van onderhoud aan het gereedschap te verzekeren, moet het op een afstand van maximaal 3 meter van het gereedschap geplaatst worden (zie onderstaand schema).

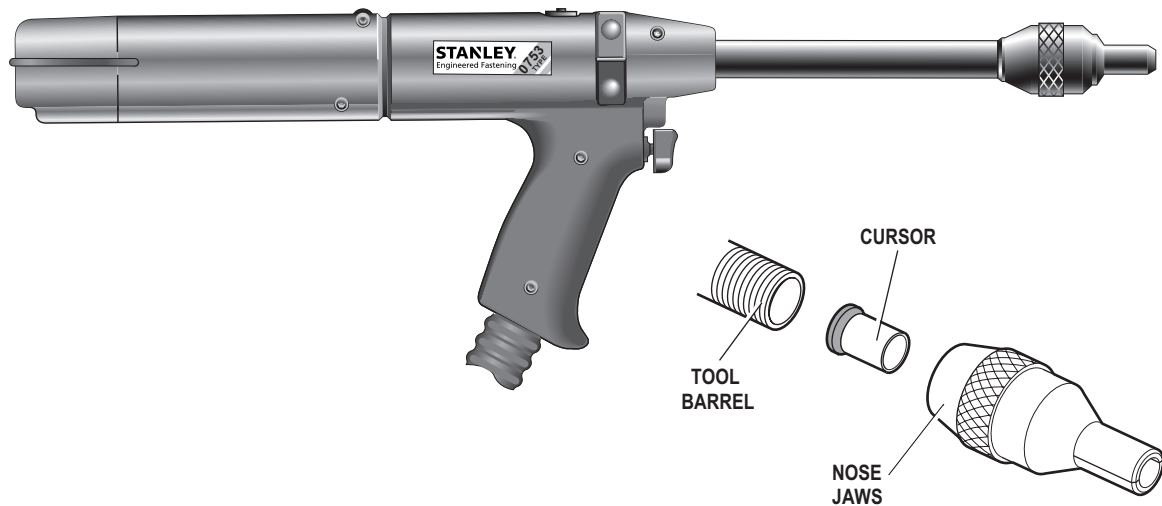
Luchttoevoerslangen moeten een minimale effectieve werkdruk van 150% van de maximale druk die in het systeem wordt geproduceerd, hebben of 10 bar, afhankelijk van welke de hoogste is. Luchtslangen zouden oliebestendig moeten zijn, een slijtvaste buitenzijde hebben en gewapend zijn als de kans bestaat dat de slang beschadigt als gevolg van de bedrijfsomstandigheden. Alle luchtslangen MOETEN een minimale diameter van 6,4 millimeter of 1/4 inch hebben.



Volg onderstaande stappen tijdens het aansluiten van het gereedschap op de intensifier en de hoofdlichttoevoer:

- Duw het einde van de grote hydraulische slang van het gereedschap op de snelkoppeling op het einde van de intensifier.
- Op het voorste oppervlak van de intensifier (Raadpleeg pagina 181):
 - Duw de blauwe pneumatische (4mm OD) leiding in de koppeling van de reductie, die zich in de bulkhead-aansluiting aan de linkerkant bevindt.
 - Duw de zwarte pneumatische (4mm OD) leiding in de plastic kraag aan de rechterkant van de bulkhead-aansluiting.
- Op het voorste oppervlak van de regelkast (Raadpleeg pagina 181):
 - Duw de zilveren pneumatische (3mm OD) leiding in de reductor gemarkeerd als 'Geleider' op het voorste oppervlak van de regelkast - LH kant.
 - Duw de groene pneumatische (4mm OD) leiding in de reductor gemarkeerd als 'Klembekken' op het voorste oppervlak van de regelkast - midden.
 - Duw de witte pneumatische (4mm OD) leiding in de reductor gemarkeerd als 'Signaal' op het voorste oppervlak van de regelkast - RH kant.
- Bevestig een pneumatische slang tussen de mannelijke koppeling achteraan de intensifier en de hoofdlichttoevoer.

4.2 LUCHTGELEIDERS



Selectie van de luchtgeleider

Bekijk het aparte gegevensblad 07900-00863 voor onderdelen van het neusstuk.

GELEIDER

BELANGRIJK

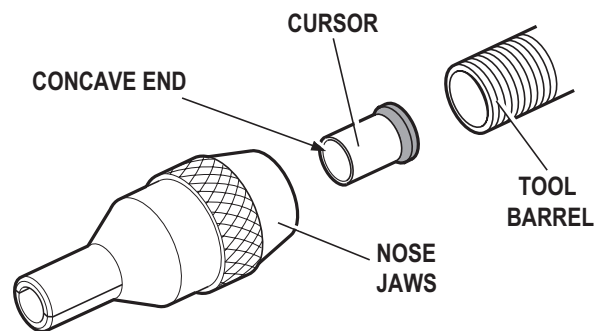
Als deze verkeerd worden gemonteerd, zal de geleider het gereedschap en het bevestigingsmateriaal niet goed invoeren.

Ook al wordt het gereedschap geleverd met een op correcte wijze geïnstalleerde geleider, raden wij aan de oriëntatie toch te controleren voordat u het neusstuk plaatst. Het verende en licht verzonken uiteinde van de geleider moet vooruit gericht staan, zoals weergegeven op de afbeelding.

Om de richting van de geleider om te keren volgt u de volgende stappen:

Uiterste voorzichtigheid is geboden tijdens het uitvoeren van de volgende procedure. Er moet opgelet worden om de loop en de uitstekende draadstift niet te raken.

- Verwijder het neusstuk, als er een is.
- Plaats een lege draadstift volledig in het gereedschap.
- Sluit de klembecken **32** door de klembeckschakelaar in te schakelen (items **18** en **19**).
- De geleider zal na een korte vertraging uit de loop komen.
- Open de klembecken **32** door de klembeckschakelaar uit te schakelen (items **18** en **19**), dit zal de draadstift vrijgeven.
- Verwijder de geleider van de draadstift en plaats de geleider in de loop.



4.3 HET GEREEDSCHAP LADEN EN OPNIEUW LADEN

BELANGRIJK

De procedure voor het laden van het gereedschap en het plaatsen van het neusstuk op het gereedschap is een integraal onderdeel.

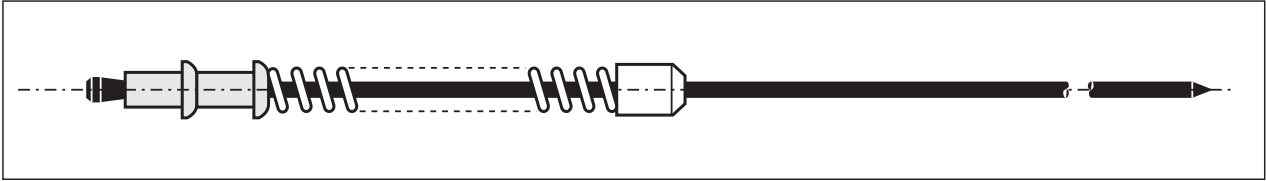
Na het bestellen van een volledig gereedschap of systeem, ontvangt u in het algemeen alles voor het neusstuk wat u nodig hebt voor het plaatsen van de klinknagels.

Als een spanbek, draadstiften en draadstiftveren werden geleverd, kunt u het gereedschap laden en het neusstuk plaatsen zoals weergegeven.

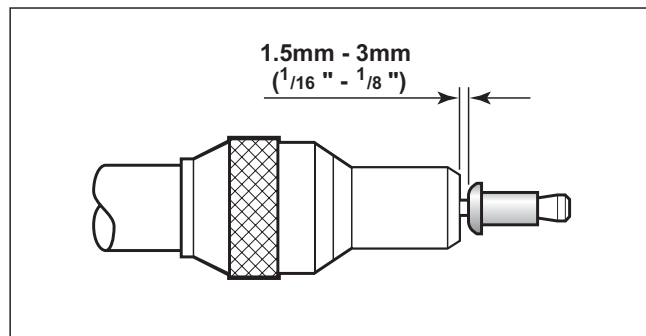
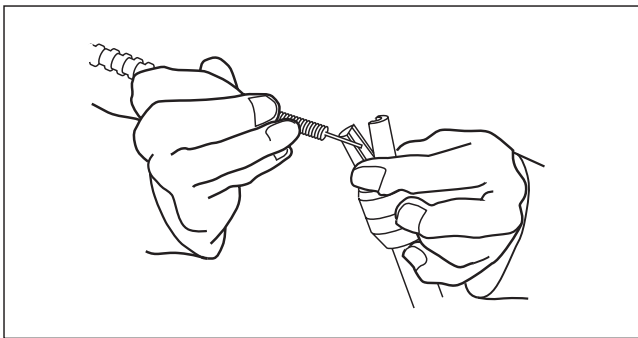
Onderdelen die **vet** gedrukt zijn hebben betrekking op de montagetekeningen en onderdelenlijst voor het 07536-02200 gereedschap op pagina's 185-186.

Het gereedschap laden

- Sluit de luchttoevoer aan op het gereedschap.
- Open de klembekken **32** die de draadstift vasthouden, door de klembekschakelaar uit te schakelen (items **18** en **19**).
- Schroef de gewenste spanbek op de loop **44** van het gereedschap.
- * Steek een draadstift door het uiteinde van de blindklinknagels, dwars door de papieren houder.
- Schuif de draadstiftveer op de draadstift, let goed op de juiste richting.



- Pak het uiteinde van de draadstift vast en scheur het papier van het bevestigingsmateriaal af.
- Open het neusstuk door aan de buitenste ring te draaien of door de bekken uit elkaar te drukken, zoals hieronder afgebeeld aan de linkerkant.
- Steek de vooraf geassembleerde draadstift, draadstiftveer en het bevestigingsmateriaal in de spanbek tot de eerste klinknagel uit de spanbek steekt.
- Sluit de spanbek en pas het zo aan dat de eerste klinknagel 1,5 mm - 3 mm ($\frac{1}{16}$ " - $\frac{1}{8}$ ") uitsteekt, zoals rechts op de onderstaande afbeelding wordt weergegeven.
- Sluit de klembekken **32** om ervoor te zorgen dat de draadstift vasthouden wordt, door de klembekschakelaar in te schakelen (items **18** en **19**).



Het gereedschap opnieuw laden

- Open de klembekken **32** van het gereedschap, door de klembekschakelaar uit te schakelen (items **18** en **19**).
- Open het neusstuk en trek de lege draadstift en draadstiftveer uit het gereedschap.
- Laad het gereedschap opnieuw door bovenstaande instructies te volgen, beginnende bij stap•*.

Het gereedschap instellen - Alleen instelbare neusstukken

Plaats de eerder gemonteerde draadstift (zie Het gereedschap laden •*) of de wegwerpbaar draadstift tegen de aanslag binnen de klembekzuiger **60**.

Sluit de klembekken **32** terwijl u de draadstift vasthoudt, door de klembekschakelaar uit te schakelen (**18** en **19**).

Schroef de borgmoer op de loop **44** van het gereedschap.

Draai het neusstuk op de loop **44**.

Stel het neusstuk in zodat de eerste klinknagel 1,5 mm - 3 mm ($\frac{1}{16}$ " - $\frac{1}{8}$ ") uitsteekt, zoals weergegeven op de afbeelding op pagina 177.

Ze de moer vast tegen het neusstuk, om te voorkomen dat de neuskleem beweegt.

Onderdelen die **vet** gedrukt zijn hebben betrekking op de montagetekeningen en onderdelenlijst voor het 07536-02200 gereedschap op pagina's 185-186.

Het gereedschap opnieuw laden

Open de klembekken van het gereedschap door de klembekschakelaar (**18-19**) uit te schakelen.

Open de bekken en trek de lege draadstift en draadstiftveer uit het gereedschap.

Plaats de nieuwe draadstift met de aanslag in het gereedschap en sluit de klembekken **32** terwijl u de draadstift vasthoudt, door de klembekschakelaar uit te schakelen (**18** en **19**).

Sluit de klembekken **32**.

4.4 BEDIENINGSPROCEDURE**BELANGRIJK**

Voordat wordt getracht om het gereedschap te bedienen, dient u eerst de oriëntatie van de geleider en het neusstuk op een juiste stand te controleren.

- Duw de klinknagel die uit het neusstuk steekt, volledig in de toepassing, waarbij verzekerd wordt gesteld dat het gereedschap recht gehouden wordt.
- Bedien de trekker zonder deze te lossen - de kop van de draadstift wordt door de klinknagel gehaald, zodat de klinknagel in de toepassing bevestigd wordt.
- Verwijder het gereedschap.
- Laat de trekker los. De volgende klinknagel wordt automatisch in het neusstuk gepresenteerd, gereed om geplaatst te worden.

5. HET GEREEDSCHAP ONDERHOUDEN

Regelmatig onderhoud en een uitgebreide jaarlijkse inspectie moet worden uitgevoerd, of na elke 500.000 cycli, afhankelijk van wat eerder gebeurt.

BELANGRIJK

Het is de verantwoordelijkheid van de werkgever dat de onderhoudsinstructies aan de juiste medewerkers worden gegeven.

De gebruiker mag niet betrokken zijn bij het onderhoud of de reparatie van het gereedschap, tenzij hij/zij daarvoor de juiste opleiding heeft gekregen.

5.1 PNEUMATISCHE REGELKAST

BELANGRIJK

De pneumatische regelkast mag in geen enkel geval geopend worden. De kast is een gesloten item.

De interne instellingen zijn vooraf ingesteld en mogen niet gewijzigd of gemanipuleerd worden.

Alleen bevoegde STANLEY Engineered Fastening-werknemers mogen deze regelkast demonteren.

▲ LET OP: Gebruik nooit oplosmiddelen of andere ruwe chemicaliën voor het reinigen van de niet-metalen onderdelen van het werktuig. Deze chemicaliën kunnen de materialen verzwakken die in deze onderdelen worden gebruikt.

5.2 DAGELIJKS

- Dagelijks, voorafgaand aan het gebruik of voordat het gereedschap voor de eerste keer wordt gebruikt. Als geen smeermechanisme werd bevestigd op de luchttoevoer, dient vóór gebruik of vóór het eerste gebruik een aantal druppels schone smeerolie in de luchttoevoer van de intensifier aangebracht te worden. Als het gereedschap voortdurend wordt gebruikt, moet de luchtslang elke twee tot drie uur van de luchttoevoer worden verwijderd en worden gesmeerd.
- Controleer het gereedschap op lekkage van lucht en/of olie. Indien slangen en koppelingen zijn versleten, moeten deze worden vervangen.
- Als er geen filter op de drukregelaar zit, moet u de luchttoevoer ontluchten zodat opgehoopt vuil of water worden verwijderd, voordat u de luchtslang op de intensifier aansluit. Als er geen filter op de slang zit, moet u dus lang aftappen.
- Controleer of het neusstuk correct is geplaatst.
- Controleer de draadstiften regelmatig op tekenen van slijtage of beschadigingen, terwijl het aantal plaatsingen wordt bijgehouden (lees de veiligheidsinstructies op pagina 170-172).

5.3 WEKELIJKS

- Voer de volledige 'Dagelijkse' procedures uit, zoals bovenstaand beschreven.
- Verwijder, inspecteer, reinig en smeer de klembekken (raadpleeg 'Klembekcilinder' in het 'onderhoudsdeel' op pagina 182).
- Controleer of het oliepeil in het reservoir van de intensifiereenheid ongeveer 12 mm (1/2") onder de doorzichtige afdekplaat staat.

5.4 VEILIGHEIDSGEGEVENS MOLY LITHIUM GREASE EP 3753

Vet kan worden besteld als een enkel item, het onderdeelnummer worden weergegeven op pagina van de onderhoudskit 180.

Eerste hulp

HUID:

Omdat het vet volledig waterbestendig is, kan dit het beste worden verwijderd met een goedgekeurde emulgerende huidreiniger.

INSLIKKEN:

Drink 30 ml Magnesiummelk, bij voorkeur in een beker melk.

OGEN:

Irriterend maar niet schadelijk. Spoel de ogen met water en raadpleeg een arts.

Brand

VLAMPUNT: Boven 220 °C.

Niet geclassificeerd als brandbaar.

Geschikt blusmateriaal: CO₂ Halon of waternevel indien toegepast door een ervaren gebruiker.

Milieu

Ruim het zoveel mogelijk op zodat het kan worden verbrand of worden verwerkt op een goedgekeurde locatie.

Hanteren

Gebruik beschermende crème of oliebestendige handschoenen.

Opslag

Uit de buurt van warmte en oxiderende stoffen.

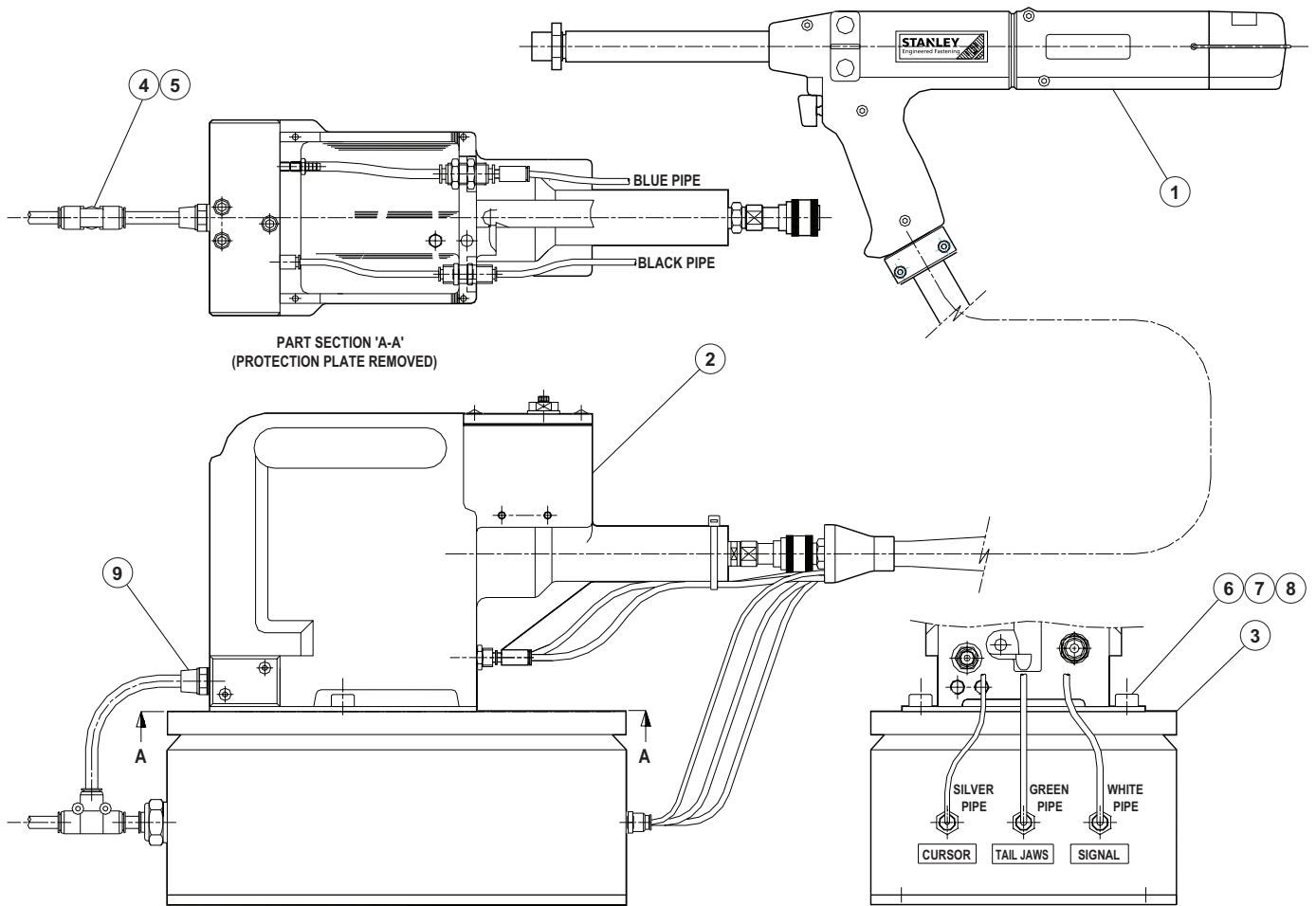
5.5 ONDERHOUDSSET

Wij adviseren het gebruik van de onderhoudsset (onderdeelnummer 07900-05300) voor alle onderhoudswerkzaamheden.

ONDERHOUDSSET					
ONDERDEELNUMMER	BESCHRIJVING	N° VAN	ONDERDEELNUMMER	BESCHRIJVING	N° VAN
07900-00157	KLEMRINGTANG	1	07900-00352	DICHTINGSVERWIJDERINGSHAAK	1
07900-00006	SPATEL	1	07900-00710	SLEUTEL VOOR HET VERWIJDEREN VAN DE LOOPPLUG	1
07900-00446	EXTRACTOR	1	07900-00725	GEREEDSCHAP	1
07900-00603	VIJSKLEMMEN LOOP	1	07900-00243	SCHROEVENDRAAIER	1
07900-00520	3/8" STANG	1	07900-00717	SLEUTEL INTENSIFIEER	1
07900-00521	1/4" STANG	1	07900-00013	1/8" INBUSSLEUTEL	1
07900-00602	GEREEDSCHAP VOOR MONTAGE O-RING	1	07900-00617	PAKKET MEERDERE LOCKTITE®-PAKKINGEN 574 50ml	1
07900-00595	18mm SLEUTEL	1	07900-00469	2,5mm INBUSSLEUTEL	1
07900-00434	32mm SLEUTEL	1	07900-00351	3mm INBUSSLEUTEL	1
07900-00237	3/8" × 5/16" B.S.W. SLEUTEL	1	07900-00224	4mm INBUSSLEUTEL	1
07900-00012	9/16" × 5/8" SLEUTEL	1	07900-00225	5mm INBUSSLEUTEL	1
07900-00008	7/16" × 1/2" SLEUTEL	1	07992-00020	80g TIN MOLY LITHIUM VET EP 3753	1

Opmerking: De afmetingen van de sleutels worden gemeten 'op basis van het vlak', tenzij anders gespecificeerd.

5.6 LUCHTGELEIDER, INTENSIFIEER & REGELKASTENHEID 07536-02100



ONDERDEEL	ONDERDEELNR.	BESCHRIJVING	NR VAN
1	07536-02200	HANDGEREEDSCHAP LUCHTGELEIDER	1
2	07531-02200	INTENSIFIEER-GEREEDSCHAP	1
3	07007-02024	REGELKAST LUCHTGELEIDER	1
4	07005-10071	T-KOPPELING	1
5	07005-10072	8 MM SLANG (2,50 m)	1
6	74405-12080	AANGEPASTE M8-MOER	8
7	07001-00469	M8 x 15 INBUS DOPSCROEF	2
8	07002-00105	M8-SLUITRING	4
9	07005-01573	MANNELIJKE KOPPELING 8MM SLANG	1
10	07005-01977	MANNELIJKE/VROUWELIJKE REDUCTOR 6MM/4MM	1

6. ONDERHOUD

Het gereedschap moet steeds na 500.000 cycli, of wanneer aanbevolen, volledig worden gedemonteerd, en versleten of beschadigde onderdelen moeten door nieuwe worden vervangen. Alle O-ringen en afdichtingen moeten vóór de montage worden vervangen en gesmeerd met Moly Lithium vet EP 3753.

BELANGRIJK

De veiligheidsinstructies treft u aan op pagina 4.

Het is de verantwoordelijkheid van de werkgever dat de onderhoudsinstructies aan de juiste medewerkers worden gegeven.

De gebruiker mag niet betrokken zijn bij het onderhoud of de reparatie van het gereedschap, tenzij hij/zij daarvoor de juiste opleiding heeft gekregen.

De luchtslang moet worden losgekoppeld voordat service- of demontagewerkzaamheden worden uitgevoerd tenzij de instructies specifiek anders luiden.

Het wordt aanbevolen om demontagewerkzaamheden te allen tijde onder schone omstandigheden uit te voeren.

Vóór het uit elkaar halen van het gereedschap, zult u het neusstuk moeten verwijderen.

Voor een totaal onderhoud van het gereedschap, raden we aan dat u verder gaat met het uit elkaar halen van de delen, in de volgorde die hieronder weergegeven wordt, na het loskoppelen van de hydraulische slang van de intensifiereenheid, de luchtleidingen van de intensifier en de regelkast, waardoor de pistooleenheid van de intensifiereenheid gescheiden wordt.

De potentieel gevaarlijke stoffen die zich mogelijk op de machine hebben afgezet als gevolg van de werkprocessen, moeten worden verwijderd vóór het uitvoeren van onderhoud.

6.1 UIT ELKAAR HALEN 07536-02200

KLEMBEKCILINDER

- Draai de borgklem **53** met de hand om en verwijder de eindkap **59**.
- Verwijder een dopschroef **6** met een inbussleutel, om ervoor te zorgen dat de lucht in de klembekcilinder afgelaten wordt. Verwijder de tweede dopschroef **6**.
- Trek de achterste plug **50** uit. **Opmerking:** Om te helpen bij het uittrekken is er 5 mm schroefdraad op het achterste oppervlak van de plug.
- Verwijder de onderdelen van de klembek, bestaande uit de klembekzuigereenheid **60**, aanslag **52**, O-ring **12** en klemmen **32**.
- Verwijder de resterende onderdelen, bestaande uit de veer **36** en de klembehuizing **42**.
- De vrije lengte van de veer **36** zou 38,1 mm (1,5") moeten zijn. Vervang indien noodzakelijk.
- Verwijder de O-ring van de dichting van de zuigereenheid **11**.
- Koppel de Concertina-slang van de luchtgeleider (groen) **49** los van de elleboogkoppeling **22**.
- Koppel de Concertina-slang van de luchtgeleider (zilver) **38** los van de weerhaakelleboog **30**.
- Verwijder de vijf bevestigingsschroeven van de handgreep voor het spuitgieten **3, 4** en de vier moeren **8** uit de handgreep van het gereedschap met een inbussleutel*.
- Klem loop **44** in een bankvijs met zachte klemmen* om schade te vermijden.
- Schroef de plug van de loop **46** los met een pijpsleutel en voorkom dat loop **44** draait door het gebruiken van een steeksleutel*.
- Trek de klembekcilinder **47** uit het gereedschap.
- Verwijder de 'O'-ring **14**, de rubberen strip **41** en de veer voor het terugkeren van de loop **37**.
- Smeer het oppervlak van de klembekken **32** in met Moly-lithiumvet, in contact met de klembehuizing **42**, voor montage.
- Assembleer in de omgekeerde volgorde van het uit elkaar halen.

* Verwijst naar items die zijn inbegrepen in de 0753 MkII onderhoudskit. Voor een volledige lijst, zie pagina 180. Onderdelen die **vet** gedrukt zijn hebben betrekking op de algemene montage en onderdelenlijsten op de pagina's 185-186.

HYDRAULISCHE ZUIGER

- Verwijder de klembekcilinder **47** zoals eerder beschreven werd.
- Klem loop **45** in een bankvijs met zachte klemmen* om schade te vermijden, verwijder de slagbeperker **40**.
- Zet schroef **5** die het schakelblok **54** tegen de loop **44** klemt los met een inbussleutel*.
- Houd het gereedschap stevig vast en trek de loop **44** uit de behuizing **45** (er kan een kleine hoeveelheid hydraulische olie uit de binnenkant van de kopeenheid komen).
- Verwijder zuiger **39** voorzichtig, om de boring van de kop niet te beschadigen.
- Verwijder afdichting **16**.
- Afdichting **17** kan moeilijk verwijderd worden zonder deze te beschadigen, maar kan ter plaatse blijven tijdens reiniging (op voorwaarde dat deze niet wordt aangetast door het reinigingsproces). Als afdichting **17** echter vernieuwd moet worden, ga dan verder als volgt:
- Wrik de dichting **17** uit de behuizing **45** met een spatel*, let op dat de holte en boringen van de behuizing niet beschadigd worden. De verwijderde dichting **17** MOET weggegooid worden.
- Draai, om de dichting **17** te vervangen, de ontluchtingsplugeenheid **43** los tot het binnenste oppervlak zich op gelijke hoogte van de interne boring van de behuizing **45** bevindt. Dit zal zorgen voor een soepele doorgang bij het plaatsen van de nieuwe dichting **17** door de achterkant van de behuizing **45**.
- Zorg ervoor dat de dichting **17** goed ingevet is en de juiste ronding heeft, met het open einde van de dichting naar de achterste klembekken gericht.
- Voltooi de assemblage, in de omgekeerde volgorde van het uit elkaar halen.

ACTIVERINGSASSEMBLAGE

- Verwijder de afdekkingen van het gereedschap zoals eerder beschreven, om de assemblage uit elkaar te halen/te onderhouden.
- Koppel alle luchtslangen los van de assemblage, let er op dat deze niet beschadigd wordt. Verwijder de eenheid.
- Schroef de borgring **34** los met een steeksleutel* en verwijder deze. Zorg ervoor dat de veer **31** niet verloren gaat.
- Wrik de 'O'-ring **10** los en let op dat u de dichtingen van de as 35 en de borgring **34** niet beschadigt.
- Reinig en monteer opnieuw met een nieuwe 'O'-ring **10**.
- Controleer de lengte van de veer **31** die 12,7mm (0,5") vrije lengte moet hebben – vervang indien nodig.
- Monteer in de omgekeerde volgorde van het uit elkaar halen.

AAN-/UITKLEP KLEMBEK

- De eenheid is zodanig ontworpen dat er een minimum aan onderhoud nodig is tijdens de levensduur van het gereedschap.
- Als het nodig is om de klep uit elkaar te halen, ga dan als volgt te werk:
- Verwijder de trekkerbehuizing **56** zoals beschreven wordt in het deel "Hydraulische zuiger".
- Verwijder de Chrome Star-sluitring **18** voorzichtig van de spoel van de lucht voor de klembek **55** en gooi de sluitring weg.
- Laat de lucht uit de spoel van de klembek **55** via het schakelblok **54**.
- Let er op dat de spoel voor de lucht van de klembek **55** niet beschadigd wordt, verwijder de 'O'-ringen **12**.
- Reinig de spoel en plaats de nieuwe 'O'-ringen **12** met een monteerkogel* en plaats deze in het schakelblok **54**, let op de richting.
- Plaats de nieuwe Chrome Star-sluitring **18** door deze in een bankvijs met zachte klemmen te klemmen, om schade te voorkomen. GEBRUIK GEEN ONNODIGE KRACHT.
- Voltooi de assemblage, in de omgekeerde volgorde van het uit elkaar halen.

* Verwijst naar items die zijn inbegrepen in de 0753 MkII onderhoudskit. Voor een volledige lijst, zie pagina 180. Onderdelen die **vet** gedrukt zijn hebben betrekking op de algemene montage en onderdelenlijsten op de pagina's 185-186.

HENDEL EN EINDKAP

- Reinig en inspecteer vormen op scheuren of andere schade.

GELEIDER

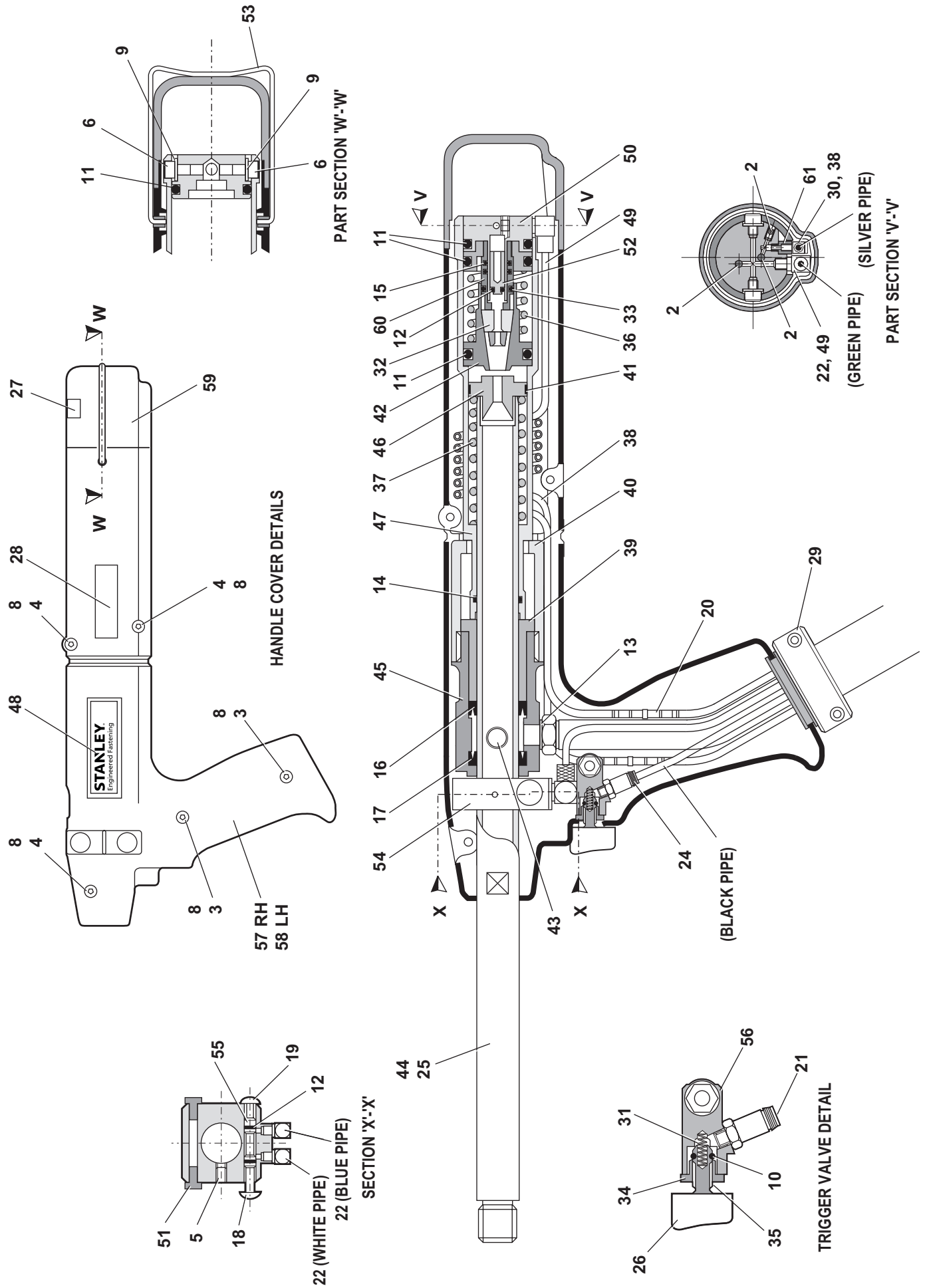
- Reinig en smeer de geleidereenheid occasioneel in met wat lichte olie.

BELANGRIJK

**Controleer het gereedschap overeenkomstig het dagelijks en wekelijks onderhoud.
Als het gereedschap uit elkaar werd genomen, moet het ALTIJD voorbehandeld worden voordat het wordt
gebruikt.**

* Verwijst naar items die zijn inbegrepen in de 0753 MkII onderhoudskit. Voor een volledige lijst, zie pagina 180.
Onderdelen die **vet** gedrukt zijn hebben betrekking op de algemene montage en onderdelenlijsten op de pagina's 185-186.

6.2 ALGEMENE MONTAGE VAN BASISGEREEDSCHAP 07536-02200



6.3 ONDERDELENLIJST VOOR BASISGEREEDSCHAP 07536-02200

07536-02200 ONDERDELENLIJSTEN										
ONDERDEEL	ONDERDEELNR.	BESCHRIJVING	AANTAL	RESERVEONDERDELEN	ONDERDEEL	ONDERDEEL	ONDERDEELNR.	BESCHRIJVING	AANTAL	RESERVEONDERDELEN
1	07007-00392	KABELKLEM (NIET WEERGEGEVEN)	1	-	34	07220-00803	HOUDER	1	-	
2	07001-00499	M3 x 5 LANGE INBUS INSTELSCHROEF	3	-	35	07241-00208	SPINDEL	1	-	
3	07001-00262	M4 x 22 LANGE INBUSKOPSCHROEF	1	-	36	07154-00404	VEER	1	-	
4	07001-00401	M4 x 10 LANGE INBUSKOPSCHROEF	4	-	37	07490-03002	VEER VOOR TERUGKEREN LOOP	1	-	
5	07001-00404	M5 x 6 LANGE INBUS INSTELSCHROEF	1	-	38	07536-02211	3MM CON-CERTINA SLANG LUCHTGELEIDER - ZILVER	1	-	
6	07001-00504	M4 x 6 LANGE INBUSKOPSCHROEF	2	2	39	07536-00203	ZUIGER	1	-	
7					40	07530-00204	SLAGBEPERKER	1	-	
8	07002-00134	M4 ZESKANTMOER	4	-	41	07530-00206	WRIJFSTRIP	1	1	
9	07002-00153	M4 SLUITRING [PLASTIC]	2	-	42	07536-00208	SPANBEKHOUDER	1	-	
10	07003-00022	O-RING	1	-	43	07530-00500	ONTLUCHTINGSPLUGGEENHEID ITEMS 62 TOT 65	1	-	
11	07003-00113	O-RING	3	3	44	07536-02201	LOOP	1	-	
12	07003-00121	O-RING	3	3	45	07530-02202	BODY	1	-	
13	07003-00142	1/8" BSP GELIJMDE DICHTING	1	1	46	07530-02205	LOOPPLUG	1	-	
14	07003-00167	O-RING	1	1	47	07536-02207	KLEMBEKILINDER	1	-	
15	07003-00386	O-RING	2	-	48	07530-02210	LABEL	2	-	
16	07003-00236	DICHTING [DYNAMISCH]	1	1	49	07536-02212	4MM CON-CERTINA SLANG LUCHTGELEIDER - GROEN	1	-	
17	07003-00237	DICHTING [STATISCH]	1	-	50	07536-02213	ACHTERSTE PLUG	1	-	
18	07004-00058	1/8" STARLOCK-SLUITRING CHROOM	1	-	51	07530-00310	AFDICHTPLUG	2	-	
19	07004-00059	1/8" STARLOCK-SLUITRING ZWART	1	-	52	07536-02214	AANSLAG	1	-	
20	07005-10073	3MM KOPPELING	1	-	53	07530-02220	CLIP	1	-	
21	07005-01357	COLLET-TYPE KOPPELING	1	-	54	07530-02301	SCHAKELBLOK	1	-	
22	07005-01571	ELLEBOOGKOPPELING	3	-	55	07530-02302	LUCHT SPOEL KLEMBEK	1	-	
23	07536-02216	BORGMOER	1	-	56	07530-02311	BEHUIZING ACTIVERING	1	-	
24	07005-10074	2MM KOPPELING	1	-	57	07536-02601	HANDGREEPEENHEID GIETEN, RECHTERHAND	1	-	
25	07007-00017	STOFKAP	1	-	58	07536-02602	HANDGREEPEENHEID GIETEN, LINKERHAND	1	-	
26	07007-00300	TREKKERKNOP	1	-	59	07530-02603	EINDKAP	1	-	
27	73200-02022	VEILIGHEIDSLABEL	1	-	60	07536-02800	KLEMBEKZUIGEREENHEID	1	-	
28	07007-01504	MARKERING CE-LABEL	1	-	61	07536-02215	KOPPELADAPTER	1	-	
29	07008-00438	FLEXIBELE SLANGGEENHEID	1	-	62	07003-00142	GELIJMDE DICHTING (NIET WEERGEGEVEN)	1	1	
30	07005-01323	M3 WEERHAAKLEBOOG	1	-	63	07003-00194	GELIJMDE DICHTING (NIET WEERGEGEVEN)	1	1	
31	07125-00215	VEER	1	-	64	07001-00442	SCHROEF (NIET WEERGEGEVEN)	1	1	
32	07151-00403	KLEMBEKKEN	1	-	65	07530-00501	PLUG (NIET WEERGEGEVEN)	1	-	
33	07003-00016	O-RING	1	2						

6.4 INSTRUCTIES VOOR DE DEMONTAGE

- Bij het demonteren van de samenstelling van de intensifier moet eerst de luchttoevoerslang naar de toevoeraansluiting van de intensifier **22** worden afgesloten.
- Met een inbussleutel* vier schroeven **27** uitdraaien en de beschermende plaat **24** verwijderen.
- Koppel de trekkerslang **47** los van de intensifierklep **43** of **48** door de buitenste kraag in te drukken en de slang terug te trekken.
- Verwijder de afdekplaat **4** en de pakking **35** door m.b.v. een inbussleutel* de schroeven **37** en sluitringen **36** te verwijderen.
- Controleer of de pakking niet is beschadigd, zodat een goede afdichting op de samenstelling gegarandeerd kan worden.
- Keer de samenstelling van de intensifier om en laat de olie in een daarvoor geschikte container uitlopen.
- Verwijder de snelkoppeling **32** samen met aansluiting **31** en afdichtingen **33** met een daarvoor geschikte sleutel*.
- Verwijder de intensifierklep **43** of **48** door de bevestigingsschroeven met een daarvoor geschikte sleutel te verwijderen, waarbij voor het behoud van de O-ring **21** gezorgd moet worden, die is aangebracht op de gegoten behuizing van de intensifier.
- Verwijder schroef **19** met een daarvoor geschikte inbussleutel* en verwijder de afdekking van de geluidsdemper **16**, het schuim van de geluidsdemper **15**, de tussenring **18** en de klemplaat **20**.
- Trek de 6 mm plastic buis **41** van de vacuümafsluitingen **42**.
- Steek een 3 mm inbussleutel* door de twee gaten in de basis van de intensifier en draai de vacuümafsluitingen **42** los.
Opmerking:
 - Er moet opgelet worden omdat de vacuümafsluitingen vergrendeld en afgedicht zijn met Loctite® 574.
 - Als het verwijderen moeilijk gaat, kunnen de vacuümafsluitingen uitgeboord worden met een $\frac{3}{16}$ " of 4,7 mm boor.
- Om de vacuümafsluitingen **42** weer te monteren, moet de volgende procedure worden gevolgd: -
 - Voorzie de vacuümafsluitingen in een daarvoor geschikte primer, bijv. Perma Bond A905
 - Breng een druppel Loctite 574 aan in het schroefgat van de intensifier.
 - Steek een inbussleutel* door de opening in de basis van de intensifier. Zorg ervoor dat de inbussleutel* vrij is van Loctite® 574, voordat u deze in de vacuümkoppeling steekt.
 - Draai de inbussleutel terwijl Loctite® 574 op de basis van de vacuümafsluiting wordt aangebracht.
 - Schroef de vacuümkoppeling in de intensifier, waarbij gecontroleerd moet worden dat er voldoende Loctite 574® op de basis van de koppeling is aangebracht, in die mate dat de schroefdraad niet zichtbaar is.
- Verwijder de interne borgring **14** voorzichtig met een schroevendraaier. Reinig en inspecteer de gleuf op slijtage of beschadigingen.
- Steek het buitendraadeinde m.b.v. een extractor* in de eindafdekking **12** en trek het samen met de huls van de intensifier **28** en de O-ringen **10** en **13** terug.
- Steek de stang* door de opening van de koppeling aan de voorkant van de behuizing van de intensifier en duw de zuigerstang **9** en de samenstelling van de zuiger uit.
- Draai de twee schroeven **25** los met een daarvoor geschikte inbussleutel* en verwijder de eindafdekking **12** van de huls van de intensifier **28**.
- Verwijder de afdichtingsplug **7** met een sleutel*.
- Steek de stang* door de opening van de koppeling aan de voorkant van de behuizing van de intensifieren duw het afdichtingshuis **5** en de daaraan gerelateerde O-ringen en lipafdichtingen uit.
- Verwijder de samenstelling van het klephuis **34** van de hoofdbehuizing met een daarvoor geschikte sleutel*. Reinigen door met een luchtstraal met lage druk door te blazen.
- Verwijder de zuigerstang **9** van de luchtzuiger van de intensifier **11** door de eerste 20 mm ($\frac{3}{4}$ ") van de stang in een bankschroef met zachte bekken vast te zetten, waarbij opgelet moet worden dat het werkoppervlak geen markering of beschadiging krijgt.

* Verwijst naar items die zijn inbegrepen in de 0753 MkII onderhoudskit. Voor een volledige lijst, zie pagina 180.
Onderdelen die **vet** gedrukt zijn hebben betrekking op de afbeelding en onderdelenlijst op de tegenovergestelde pagina.

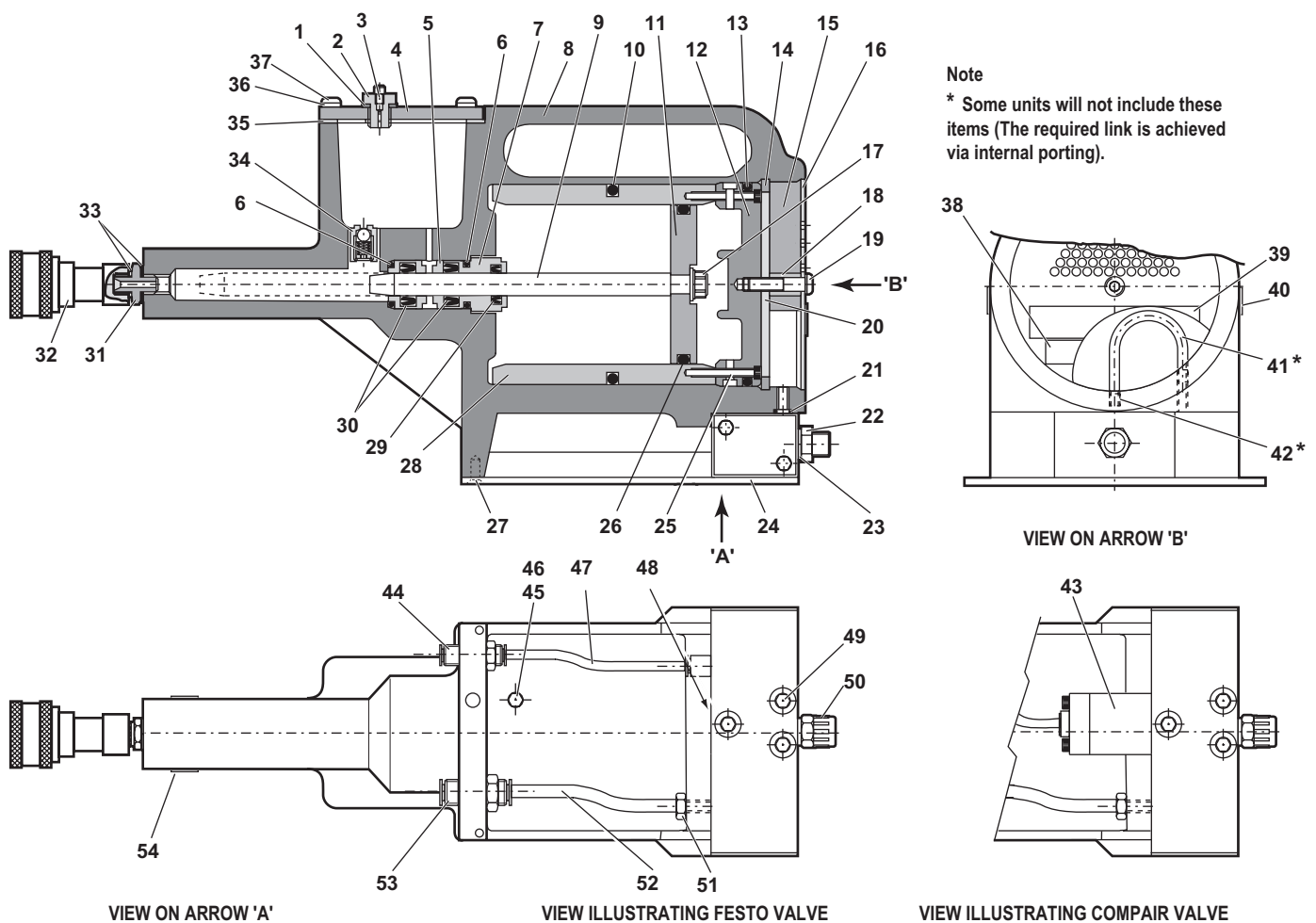
- Draai de borgmoer **17** los met een daarvoor geschikte sleutel*.
- In de omgekeerde volgorde van het demonteren, weer monteren, waarbij op het volgende gelet moet worden:
- Reinig alle onderdelen en vervang alle O ringen.
- Smeer alle afdichtingen met Moly Lithium-vet.
- De samenstelling van het klephuis **34** moet opnieuw worden geplaatst, waarbij lijm voor het afdichten van de schroefdraad moet worden gebruikt.
- Monteer de samenstelling van de zuiger en gebruik daarbij een nieuwe moer **17**.
- De eindafdekking **12** moet op de juiste manier binnen de borgring **14** worden geplaatst. Het gereedschap mag niet worden gebruikt als de eindafdekking niet is geplaatst.

BELANGRIJK
Als het gereedschap uit elkaar werd genomen, moet het ALTIJD voorbehandeld worden voordat het wordt gebruikt.

6.5 HET MILIEU BESCHERMEN

Verzeker naleving van de geldende voorschriften voor afvalverwerking. Alle afvalproducten moeten worden afgevoerd naar een goedgekeurde afvalvoorziening of soortgelijke locatie, zodat het personeel en het milieu niet aan risico's worden blootgesteld.

6.6 INTENSIFIEER 07531-02200



* Verwijst naar items die zijn inbegrepen in de 0753 MkII onderhoudskit. Voor een volledige lijst, zie pagina 180. Onderdelen die **vet** gedrukt zijn hebben betrekking op de afbeelding en onderdelenlijst op de tegenovergestelde pagina.

07531-02200 ONDERDELENLIJST										
ONDERDEEL	ONDERDEELNR.	BESCHRIJVING	AANTAL	RESERVEONDERDELEN	ONDERDEEL	ONDERDEELNR.	BESCHRIJVING	AANTAL	RESERVEONDERDELEN	
1	07003-00037	AFDICHTING	1	1	28	07531-00201	HULS	1		-
2	07240-00211	VULSCHROEF	1	-	29	07003-00337	LIPAFDICHTING	1		1
3	07001-00418	AFTAPSCHROEF	1	1	30	07003-00336	LIPAFDICHTING	2		2
4	07240-00210	AFDEKPLAAT	1	-	31	07005-00406	AANSLUITING	1		-
5	71420-02006	AFDICHTINGSHUIS	1	-	32	07005-00759	SNELKOPPELING	1		-
6	07003-00153	O-RING	2	-	33	07003-00142	AFDICHTING	2		1
7	71420-02007	AFDICHTINGSPUG	1	-	34	07240-00400	KLEPHUISEENHEID	1		-
8	71420-02300	SAMENSTELLING BEHUIZING	1	-	35	07240-00209	PAKKING	1		1
9	71420-02008	ZUIGERSTANG	1	-	36	07002-00073	AFDICHTINGSRING	4		1
10	07003-00182	O-RING	1	1	37	07001-00554	SCHROEF	4		1
11	07531-00202	LUCHTZUIGER	1	-	38	07007-01504	LABEL	1		-
12	07531-00204	EINDAFDEKKING	1	-	39	07240-00217	LABEL	1		-
13	07003-00183	O-RING	1	1	40	07531-00205	LABEL	2		-
14	07004-00069	BORGRING	1	1	41	07005-00596	* 6 mm PLASTIC BUIS	-		-
15	07240-00213	SCHUIM GELUIDSDEMPER	1	1	42	07245-00103	* VACUUMAANSLUITING	2		-
16	07240-00214	AFDEKKING GELUIDSDEMPER	1	-	43	07005-00590	EVENWICHTSKLEP	1		1
17	07002-00017	MOER	1	1	44	07005-01431	BULKHEAD-AANSLUITING	1		1
18	07240-00215	TUSSENRING	1	-	45	07005-00668	M5 PLUG	1		-
19	07001-00417	SCHROEF	1	1	46	07005-00670	M5 AFDICHTRING	1		-
20	07240-00216	KLEMPLAAT	1	-	47	07005-01084	4 mm PLASTIC BUIS (150 mm)	-		-
21	*07003-00042	O-RING	1	1	48	07005-01524	FESTO KLEP	1		-
22	07005-00041	AANSLUITING	1	-	49	07001-00176	SCHROEF	3		-
23	07003-00065	AFDICHTINGSRING	1	-	50	07007-00292	1/4" BSP REDCAP	1		-
24	07240-00220	BESCHERMENDE PLAAT	1	-	51	07005-00647	AANSLUITING	1		-
25	07001-00375	SCHROEF	2	-	52	07005-01085	6 mm PLASTIC BUIS (150 mm)	-		-
26	07003-00238	O-RING	1	1	53	07005-00855	BULKHEAD UNION	1		-
27	07001-00396	SCHROEF	4	-	54	73200-02022	VEILIGHEIDSLABEL	1		-

7. AANZUIGEN/PRIMEN

Als het gereedschap uit elkaar werd genomen, moet het **ALTIJD** voorbehandeld worden voordat het wordt gebruikt. Het kan ook nodig zijn de volledige slag te herstellen na intensief gebruik, als de slag is afgenomen en de nagels niet met een enkele keer overhalen van de trekker volledig worden geplaatst.

7.1 OLIEGEGEVENS

De aanbevolen olie voor het aanzuigen is Hyspin® VG32 en AWS 32, die verkrijgbaar zijn in verpakkingen van 0,5 l (onderdeelnummer 07992-00002), of een gallon (onderdeelnummer 07992-00006). Zie onderstaande veiligheidsgegevens.

7.2 HYSPIN® VG32 EN AWS 32 OLIE - VEILIGHEIDSGEGEVENS

Eerste hulp

HUID:

De huid zo snel mogelijk met water en zeep grondig wassen. Terloops contact vereist geen onmiddellijke aandacht. Kort contact vereist geen onmiddellijke aandacht.

INSLIKKEN:

Onmiddellijk een arts raadplegen. **NOOIT** braken opwekken.

OGEN:

Onmiddellijk en gedurende enkele minuten, spoelen met water. Ook al is er **GEEN** sprake van direct irritatie, toch kan geringe irritatie na contact optreden.

Brand

Geschikt blusmateriaal: CO₂, droog poeder, schuim of waternevel. **GEEN** waterstralen inzetten.

Milieu

AFVALVERWIJDERING: Via een geautoriseerde partij naar een locatie met een vergunning. Kan worden verbrand. Een gebruikt product kan voor terugwinning worden gebruikt.

LEKKAGE: Voorkom dat enige lekkage in afvoeren, riolering of waterlopen terechtkomt. Opnemen met absorberend materiaal.

Hanteren

Draag oogbescherming, ondoordringbare handschoenen (bijv. van pvc) en een plastic schort. In goed geventileerde ruimtes gebruiken.

Opslag

Geen speciale voorzorgsmaatregelen.

7.3 PRIMINGPROCEDURE

BELANGRIJK

DE TREKKER NIET BEDIENEN WANNEER DE ONTLUCHTINGSSCHROEF IS VERWIJDERD

Alle handelingen moeten worden uitgevoerd op een schone werkbank, met schone handen in een schone omgeving.

Zorg ervoor dat de nieuwe olie volkomen schoon is en vrij van luchtbellen.

U MOET er te allen tijde voor zorgen dat er geen vreemde stoffen in het gereedschap terechtkomen, omdat dit ernstige beschadiging tot gevolg kan hebben.

- Verwijder de schroef **2** en de dichting **1** van de plastic afdekplaat **4** op het reservoir van de intensifier.
- Giet de primingolie in het reservoir tot dit tot ongeveer 1/2" (12mm) van de rand gevuld is.
- Vervang de schroef **2** en de dichting **1**.
- Sluit de intensifiereenheid aan op de luchttoevoer. Verwijder de schroef uit het reservoir.
- Schroef, met de 07536 pistoolleenheid op de intensifiereenheid geplaatst en onder het peil van de intensifiereenheid, de ontluchtingsschroef **64** van de ontluchtingsplugeenheid **43** op het 07536 gereedschap twee omwentelingen los en laat de olie uit het gereedschap lopen.
- Wanneer de olie vrij stroomt en zonder luchtbellen, draait u de ontluchtingsschroef vast.
- Vul het reservoir op de intensifiereenheid op bij met primingolie.
- Schakel het gereedschap uit en opnieuw aan, tot alle luchtbellen in de olie naar het oliereservoir zijn afgevoerd.

Onderdelen die **vet** gedrukt zijn hebben betrekking op de algemene montage en onderdelenlijsten op de pagina's 185-188.

8. FOUTDIAGNOSE

SYMPTOOM	MOGELIJKE OORZAAK	OPLOSSING	PAGINA REF.
Gereedschap plaatst de bevestiging niet	Lage luchtdruk.	Verhoog de luchtdruk	
	Te weinig smering.	Smeer het gereedschap aan de luchtinlaat	
	Te hoge trekkracht.	Controleer de grip van de bevestiging en het gat van de toepassing	
	Controleer op de juiste maat van draadstift.		
	Klembekken uitgeschakeld.	Schakel de klembekken in	
	Lucht in het hydraulisch systeem.	Zie 'Primingprocedure'	190
'Draadstift slijpt'-bekken pakken de draadstift niet vast	Versleten of vuile klembekken.	Reinig of vervang zoals nodig	
	'Onvoldoende luchtdruk/-volume.	Verhoog de luchtdruk/-volume	
	'Schakelaar klembek niet bedienbaar.	Vervang de schakelaar	
	'Luchtlekken naar de klembekken.	Vernieuw de 'O'-ringen op zuiger 11	
	Draadstift gebroken en bereikt de klembekken niet.	Vervang de draadstift	
	Fout in pneumatische regelkast.	Neem contact op met een medewerker van Stanley Engineered Fastening	
Bekken laten de draadstift niet los	Vuile klembekken of klembehuizing.	Reinig en smeer	
	Defecte schakelaar klembek.	Vervang de 'O'-ringen	
	Geblokkeerd luchtsignaal	Controleer de pneumatische leidingen	
	Fout in pneumatische regelkast	Neem contact op met een medewerker van Stanley Engineered Fastening	
Het bevestigingsmateriaal komt niet door de neusklemmen	Klembekken niet ingeschakeld.	Schakel de klembekken in	
	Versleten klembekken.	Vervang de klembekken	
	Foute richting geleider.	Opnieuw plaatsen, in de juiste richting	
	Onjuiste geleider	Plaats de juiste geleider	
	Foute neusklemmen.	Plaats de juiste spanbek	
	Draadstiftveer niet geplaatst.	Plaats de juiste draadstiftveer	
	Lengte draadstiftvolger	Plaats de juiste draadstiftvolger	
	Verkeerde afstand tussen het bevestigingsmateriaal en de neusklemmen bij het laden.	Stel de afstand in op 1,5mm – 3mm (1/16" - 1/8") Zie 'Het gereedschap laden'	177-178
	Geleider blijft hangen.	Reinig en smeer de geleider	
	versleten luchtgeleider	Geleider vernieuwen	
	Verkeerde draadstiftveer geplaatst.	Plaats de juiste draadstiftveer	
	Versleten of gebroken veer voor terugtrekken loop	Vervang de veer voor het terugtrekken van de loop	
Ernstige slijtage aan de klembekken	Te hoge trekkracht.	Controleer de grootte en dikte van het gat van de toepassing en de mogelijkheden voor de greep van de bevestiging	
Meer dan één bevestigingsmiddel per keer	De draadstift slijpt.	Controleer zoals bij 'slippen van de draadstift', fase 2	
	Verkeerde afstand tussen het bevestigingsmateriaal en de spanbek bij het laden	Stel de afstand in op 1,5mm – 3mm (1/16" - 1/8") Zie 'Het gereedschap laden' op pagina	177-178

Andere voorkomende symptomen of storingen moeten worden gemeld bij uw plaatselijke door Stanley Engineered Fastening erkende distributeur of reparatiecentrum.

OPMERKINGEN

9. CE CONFORMITEITSVERKLARING

Wij, **Stanley Engineered Fastening, Stanley House, Works Road, Letchworth Garden City, Hertfordshire, SG6 1JY UNITED KINGDOM**, verklaren hierbij, uitsluitend op eigen verantwoordelijkheid, dat het product:

Beschrijving: **Hydropneumatisch gereedschap voor het snel herhaaldelijk plaatsen van klinknagels**

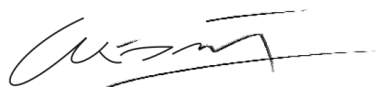
Model: **07536**

waarop deze verklaring van toepassing is, voldoet aan de volgende geharmoniseerde standaarden:

ISO 12100:2010	EN ISO 3744:2010
EN ISO 11202:2010	EN ISO 11148-1:2011
EN ISO 4413:2010	BS EN 28662-1:1993
EN ISO 4414:2010	EN ISO 20643:2008+A1:2012
EN ISO 28927-5:2009+A1:2015	ES100118-rev 17:2017

De technische documentatie is opgesteld overeenkomstig bijlage VII, in navolging van de volgende richtlijn: **2006/42/EC The Machinery Directive** (verwijzing in de Statutory Instruments 2008 No 1597 - The Supply of Machinery (Safety Regulations)).

Ondergetekende legt deze verklaring af namens STANLEY Engineered Fastening



A. K. Seewraj

Director of Engineering, VERENIGD KONINKRIJK

Avdel UK Limited, Stanley House, Works Road, Letchworth Garden City, Hertfordshire, SG6 1JY VERENIGD KONINKRIJK

Plaats van afgifte: **Letchworth Garden City, VERENIGD KONINKRIJK**

Afgiftedatum: **01-01-2021**

Ondergetekende is verantwoordelijk voor de samenstelling van de technische documentatie voor producten die binnen de Europese Unie worden verkocht en stelt deze verklaring op uit naam van Stanley Engineered Fastening.

Matthias Appel

Team Leader Technical Documentation

Stanley Engineered Fastening, Tucker GmbH, Max-Eyth-Str.1, 35394 Gießen, Duitsland



**Deze machine is conform
Machinerichtlijn 2006/42/EG**

STANLEY
Engineered Fastening

10.VK VERKLARING VAN OVEREENSTEMMING

Wij, **Stanley Engineered Fastening, Stanley House, Works Road, Letchworth Garden City, Hertfordshire, SG6 1JY UNITED KINGDOM**, verklaren hierbij, uitsluitend op eigen verantwoordelijkheid, dat het product:

Beschrijving: **Hydropneumatisch gereedschap voor het snel herhaaldelijk plaatsen van klinknagels**

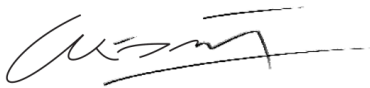
Model: **07536**

waarop deze verklaring van toepassing is, voldoet aan de volgende aangewezen standaarden:

ISO 12100:2010	EN ISO 3744:2010
EN ISO 11202:2010	EN ISO 11148-1:2011
EN ISO 4413:2010	BS EN 28662-1:1993
EN ISO 4414:2010	EN ISO 20643:2008+A1:2012
EN ISO 28927-5:2009+A1:2015	ES100118-rev 17:2017

De technische documentatie is opgesteld in overeenkomst met de Levering van machineregelgeving (Veiligheid) 2008, S.I. 2008/1597 (zoals gewijzigd).

Ondergetekende legt deze verklaring af namens STANLEY Engineered Fastening



A. K. Seewraj

Director of Engineering, VERENIGD KONINKRIJK

Avdel UK Limited, Stanley House, Works Road, Letchworth Garden City, Hertfordshire, SG6 1JY VERENIGD KONINKRIJK

Plaats van afgifte: **Letchworth Garden City, VERENIGD KONINKRIJK**

Afgiftedatum: **01-01-2021**



Deze machine is conform
Veiligheidsvoorschriften voor het beschikbaar stellen van
machines 2008,
S.I. 2008/1597 (zoals gewijzigd)

STANLEY
Engineered Fastening

11. BESCHERM UW INVESTERING!

Stanley® Engineered Fastening BLINDKLINKNAGELGEREEDSCHAP - GARANTIE

STANLEY® Engineered Fastening garandeert dat al het elektrisch gereedschap zorgvuldig is geproduceerd en dat het vrij is van gebreken in materialen of uitvoering, bij normaal gebruik en service, voor een periode van één (1) jaar.

Deze garantie heeft betrekking op de eerste aankoper van het gereedschap en enkel voor bedoeld gebruik.

Uitzonderingen:

Normale slijtage.

Periodiek onderhoud, reparaties en vervanging van onderdelen door normale slijtage en beschadiging vallen niet onder de garantie.

Misbruik & verkeerd gebruik.

Defecten of schade voortkomend uit onjuiste bediening, opslag, ruwe behandeling en verkeerd gebruik, ongelukken of verwaarlozing, zoals materiële beschadiging, vallen niet onder de garantie.

Ongeautoriseerde service of aanpassingen.

Defecten of schade voortvloeiend uit service, het testen van aanpassingen, installatie, onderhoud, wijzigingen of aanpassingen in welke vorm ook, die zijn uitgevoerd door iemand anders dan STANLEY® Engineered Fastening, of één van hun geautoriseerde servicecentra, vallen niet onder de garantie.

Alle andere garanties, expliciet of impliciet, inclusief enige garantie van verkoopbaarheid of geschiktheid voor een bepaald gebruik, zijn hierbij uitgesloten.

Mocht dit gereedschap niet aan de garantie voldoen, stuur het dan direct naar het geautoriseerde servicecentrum bij u in de buurt. Neem voor een lijst van geautoriseerde STANLEY® Engineered Fastening servicecentra in de VS of Canada contact met ons op via het gratis nummer (877)364 2781.

Bezoek buiten de VS en Canada onze website **www.StanleyEngineeredFastening.com** voor het dichtstbijzijnde STANLEY Engineered Fastening servicecentrum.

STANLEY Engineered Fastening vervangt dan gratis elk onderdeel dat wij defect achten, ten gevolge van slechte materialen of slecht vakmanschap, en zal het gereedschap daarna gratis terugsturen. Dit geeft onze enige verplichting onder deze garantie weer.

In geen enkel geval kan STANLEY Engineered Fastening aansprakelijk worden gesteld voor gevolgschade of speciale schade die voortkomt uit de aanschaf of het gebruik van dit product.

Registreer uw blindklinknagelgereedschap online.

Registreer uw garantie online, ga naar

<https://www.stanleyengineeredfastening.com/support/warranty-registration-form>

Wij danken u dat u het gereedschap van het merk Assembly Technologies van STANLEY® Engineered Fastening hebt gekozen.

©2021 Stanley Black & Decker inc.
Alle rettigheder forbeholdes.

Disse oplysninger må under ingen omstændigheder reproducere og/eller offentliggøres i ligegyldigt hvilken form (elektronisk eller print), uden forudgående skriftlig tilladelse fra STANLEY Engineered Fastening. De foreliggende oplysninger er baseret på de data, der er kendt på tidspunktet for introduktionen af dette produkt. STANLEY Engineered Fastening fører en politik om løbende produktforbedringer, derfor kan og vil produkterne løbende blive ændret. De foreliggende oplysninger gælder for produktet, leveret af STANLEY Engineered Fastening. STANLEY Engineered Fastening kan derfor ikke stilles til ansvar for eventuelle skader, som følge af afvigelser fra de oprindelige produktspecifikationer.

Alle informationer er blevet udarbejdet med største omhu. STANLEY Engineered Fastening kan ikke stilles til ansvar for eventuelle fejl i oplysningerne, eller for konsekvenserne heraf. STANLEY Engineered Fastening kan ikke stilles til ansvar for skader som følge af aktiviteter, der gennemføres af tredjeparter. Arbejdsnavne, firmanavne, registrerede varemærker osv. der anvendes af STANLEY Engineered Fastening kan ikke anvendes frit i henhold til bestemmelserne vedrørende beskyttelse af varemærker.

1. SIKKERHEDSINSTRUKTIONER.....	198
1.1 GENERELLE SIKKERHEDSREGLER.....	198
1.2 PROJEKTLIFARER	198
1.3 DRIFTSFARER.....	199
1.4 FARER VED GENTAGENDE FARER.....	199
1.5 TILBEHØRSFARER	199
1.6 ARBEJDSPLADSFARER	199
1.7 STØJFARER.....	199
1.8 VIBRATIONSFARER.....	199
1.9 YDERLIGERE SIKKERHEDSINSTRUKTIONER FOR PNEUMATISK OG HYDRAULISK VÆRKTØJ	200
2. SPECIFIKATIONER	201
2.1 SPECIFICATION FOR 07536 VÆRKTØJ	201
2.2 SPECIFICATION FOR 07531 FORSTÆRKER.....	201
3. TILSIGTET FORMÅL.....	202
3.1 VÆRKTØJSDIMENSIONER - MODELLEN 07536	202
4. IBRUGTAGNING	203
4.1 LUFTFORSYNING	203
4.2 LUFTMARKØRER	204
4.3 FYLDNING OG GENFYLDNING AF VÆRKTØJET	204
4.4 ANVENDELSESPROCEDURE.....	206
5. VEDLIGEHOLDELSE AF VÆRKTØJET	207
5.1 PNEUMATISK KONTROLBOKS	207
5.2 DAGLIGT	207
5.3 UGENTLIGT	207
5.4 MOLYLITHIUM SMØREMIDDEL EP 3753 SIKKERHEDSDATA	207
5.5 SERVICEKIT.....	208
5.6 LUFTMARKØRVÆRKTØJ, FORSTÆRKER OG KONTROLBOKSSAMLING 07536-02100	209
6. VEDLIGEHOLDELSE.....	210
6.1 DEMONTERING AF 07536-02200.....	210
6.2 GENERELLE ENHEDER FOR BASISVÆRKTØJ 07536-02200.....	212
6.3 RESERVEDELSLISTE FOR BASISVÆRKTØJ 07536-02200.....	213
6.4 DEMONTERINGSINSTRUKTIONER	214
6.5 MILJØBESKYTTELSE.....	215
6.6 FORSTÆRKER 07531-02200	215
7. KLARGØRING	217
7.1 OPLYSNINGER OM OLIE	217
7.2 SIKKERHEDSDATA FOR HYPIN® VG32 OG AWS 32 OLIE.....	217
7.3 KLARGØRINGSPROCEDURE.....	217
8. FEJLSØGNING	218
9. EU-OVERENSSTEMMELSESERKLÆRING.....	220
10. UK OVERENSSTEMMELSESERKLÆRING	221
11. BESKYT DIN INVESTERING!	222



Denne instruktionsvejledning skal læses af enhver, der installerer eller betjener dette værktøj, og man skal være særlig opmærksom på følgende sikkerhedsregler.



Brug altid slagfast øjebeskyttelse under betjening af værktøjet. Den påkrævede beskyttelsesgrad skal vurderes for hver brug.







Brug høreværn i overensstemmelse med arbejdsgiverens instruktioner og som påkrævet af arbejdsmiljøbestemmelser.



Brug af værktøjet kan udsætte operatørens hænder for farer, herunder knusning, slag, snit og slid og varme. Brug egnede handsker til beskyttelse af hænderne.

1. SIKKERHEDSINSTRUKTIONER

Læg mærke til følgende sikkerhedsinstruktioner. Læs brugsvejledningen grundigt igennem, og vær opmærksom på disse symboler.

-  **FARE:** Angiver alvorlig skade eller i værste fald døden, hvis de respektive sikkerhedsinstruktioner ikke overholdes.
-  **ADVARSEL:** Indikerer en mulig farlig situation, der medmindre den ikke undgås, kan resultere i ulykker med dødelig udgang eller alvorlige kvæstelser.
-  **PAS PÅ:** Indikerer en potentiel farlig situation, som kan forårsage mindre alvorlige eller moderate kvæstelser, hvis den ikke undgås.
-  **PAS PÅ:** En potentiel farlig situation kan opstå, hvis de angivne sikkerhedssymboler ikke respekteres eller overholdes.

Forkert anvendelse eller vedligeholdelse af værktøjet, kan medføre alvorlige kvæstelser eller materielle skader. Læs og forstå derfor alle advarsler og symboler i brugsanvisningerne før værktøjet anvendes. Ved brug af elværktøj skal alle grundlæggende sikkerhedsregler altid overholdes for at reducere risikoen for kvæstelser.

GEM ALLE ADVARSLER OG ANVISNINGER TIL SENERE BRUG

1.1 GENERELLE SIKKERHEDSREGLER

- Med henblik på flere farer skal du læse og forstå sikkerhedsinstruktionerne, inden du installerer, betjener, reparerer, vedligeholder, skifter tilbehør på eller arbejder i nærheden af værktøjet. Ellers kan det resultere i alvorlig personskade.
- Kun kvalificerede og udlærte operatører må installere, justere eller bruge værktøjet.
- STANLEY Engineered Fastening blindnitteværktøjer må IKKE anvendes til andre formål end de tilsigtede formål.
- Brug kun reservedele, nitter og tilbehør anbefalet af STANLEY Engineered Fastening.
- Misbrug IKKE værktøjet. Modifikationer kan reducere effektiviteten af sikkerhedsforanstaltninger og øge risiciene for operatøren. Enhver ændring af værktøjet foretaget af kunden, vil være kundens fulde ansvar og vil gøre alle gældende garantier ugyldige.
- Kassér ikke sikkerhedsinstruktionerne; giv dem til operatøren.
- Anvend ikke værktøjet, hvis det er blevet beskadiget.
- Kontrollér, om der forekommer fejltilpasninger, eller om bevægelige dele er bevægelige, beskadigelse eller andre forhold, der kan påvirke værktøjets funktion inden brug. Få værktøjet serviceret før brug, hvis det er beskadiget. Fjern alle justerings- og skruenøgler inden brug.
- Værktøjer skal efterses regelmæssigt for at kontrollere, at de tekniske data og mærkninger, der kræves af denne del af ISO 11148, er tydeligt markeret på værktøjet. Arbejdsgiveren/brugeren skal kontakte producenten for at anskaffe erstatningsmærkater efter behov.
- Værktøjet skal altid holdes i en god stand, og det skal undersøges jævnligt for skader af en autoriseret reparatør. Enhver form for demontering må kun foretages af uddannet personale. Dette værktøj må ikke demonteres uden at konsultere vedligeholdelsesanvisningerne.

1.2 PROJEKILFARER

- Fjern værktøjet fra luftforsyningen inden vedligeholdelse, justering, på- eller afmontering af et næsestykke eller tilbehør.
- Vær opmærksom på, at fejl i arbejdsemnet eller tilbehøret, eller endda af det indsatte værktøj, kan generere projektiler med høj hastighed.
- Brug altid slagfast øjebeskyttelse under betjening af værktøjet. Den påkrævede beskyttelsesgrad skal vurderes for hver brug.
- Risikoen for andre bør også vurderes på dette tidspunkt.
- Sørg for, at arbejdsemnet er ordentligt fastgjort.
- Kontrollér, at beskyttelsesforanstaltningen mhp. udstødning af nitter og/eller dorn er på plads og fungerer.
- Advar mod den mulige tvangsudskydning af dorne fra værktøjets forside.
- Ret IKKE værktøjet mod andre personer, når det anvendes.

1.3 DRIFTSFARER

- Brug af værktøjet kan udsætte operatørens hænder for farer, herunder knusning, slag, snit og slid og varme. Brug egnede handsker til beskyttelse af hænderne.
- Operatører og vedligeholdelsespersonale skal være fysisk i stand til at håndtere værktøjets masse, vægt og styrke.
- Hold værktøjet korrekt; vær klar til at modvirke normale eller pludselige bevægelser, og hav begge hænder til rådighed.
- Hold altid værktøjshåndtagene rene for olie og snavs.
- Hold kroppen i balance, og hav et sikkert fodfæste under brug af værktøjet.
- Slip start-og-stop-enheden i tilfælde af afbrydelse af hydraulikforsyningen.
- Brug kun smøremidler anbefalet af producenten.
- Kontakt med hydraulisk væske bør undgås. Med henblik på at minimere risikoen for udslæt bør man sørge for at skylle området grundigt, hvis der opstår kontakt.
- Sikkerhedsdatablade for alle hydrauliske olier og smøremidler er tilgængelige efter anmodning fra din værktøjsleverandør.
- Undgå uegnede stillinger, da det er sandsynligt, at disse stillinger ikke gør det muligt at modvirke normal eller uventet bevægelse af værktøjet.
- Hvis værktøjet er fastgjort til en ophængningsenhed, skal du sørge for, at fastgørelsen er sikker.
- Pas på risikoen for knusning eller klemning, hvis frontudstyr ikke er monteret.
- Værktøjet må IKKE betjenes, hvis fronthuset er afmonteret.
- Inden anvendelsen skal der tages højde for, om der tilstrækkelig plads til at håndtere værktøjet med hænderne.
- Undgå at trykke på udløseren, hvis værktøjet flyttes mellem arbejdspladser.
- Misbrug IKKE værktøjet, ved at tage det eller anvende det som hammer.
- Pas på, at brugte dorne ikke udgør en fare.

1.4 FARER VED GENTAGENDE FARER

- Ved brug af værktøjet kan operatøren opleve ubehag i hænder, arme, skuldre, nakke eller andre dele af kroppen.
- Under brug af værktøjet skal operatøren indtage en behagelig stilling, samtidig med at der bevares et sikkert fodfæste og undgås akavede stillinger eller ubalance. Operatøren skal skifte stilling under længere opgaver; dette kan hjælpe med at undgå ubehag og træthed.
- Hvis operatøren oplever symptomer som vedvarende eller tilbagevendende ubehag, smerter, pulsering, ømhed, prikken, følelsesløshed, brændende fornemmelser eller stivhed, må disse advarselstegn ikke ignoreres. Operatøren skal informere arbejdsgiveren og konsultere en kvalificeret sundhedsperson.

1.5 TILBEHØRSFARER

- Frakobl værktøjet fra luftforsyningen inden montering eller fjernelse af næsestykket eller tilbehøret.
- Brug kun tilbehør og forbrugsvarer af størrelser og typer, der anbefales af værktøjets producent; brug ikke tilbehør eller forbrugsvarer af andre typer eller størrelser.

1.6 ARBEJDSPLADSFARER

- De vigtigste årsager til personskader på arbejdspladsen er, hvis man glider, snubler og falder. Pas på glatte overflader forårsaget af brug af værktøjet samt fare for fald forårsaget af luftledning eller hydraulikslange.
- Vær forsigtig i ukendte omgivelser. Der kan være skjulte farer, såsom strømledninger eller andre forbrugsledninger.
- Værktøjet er ikke beregnet til brug i potentielt eksplosive omgivelser og er ikke isoleret mod kontakt med elektrisk strøm.
- Sørg for, at der ikke er strømkabler, gasrør osv., som kan medføre fare, hvis de beskadiges ved brug af værktøjet.
- Bær hensigtsmæssig påklædning. Undgå løst tøj og smykker. Hold hår, tøj og handsker væk fra bevægelige dele.
- Løstsiddende tøj, smykker eller langt hår kan blive fanget i bevægelige dele.
- Pas på, at brugte dorne ikke udgør en fare.

1.7 STØJFARER

- Eksponering for høje støjniveauer kan forårsage permanent, invaliderende høretab og andre problemer, såsom tinnitus (ringen, brummen, fløjten eller summen for ørerne). Derfor er det meget vigtigt at foretage risikovurdering og implementere passende kontroller for disse farer.
- Passende kontroller til at reducere risikoen kan omfatte handlinger såsom dæmpning af materialer for at forhindre, at arbejdsemner "ringer".
- Brug høreværn i overensstemmelse med arbejdsgiverens instruktioner og som påkrævet af arbejdsmiljøbestemmelser.
- Betjen og vedligehold værktøjet som anbefalet i brugsanvisningen for at forhindre unødvendig stigning i støjniveauet.

1.8 VIBRATIONSFARER

- Eksponering for vibrationer kan forårsage invaliderende skader på nerverne og blodforsyningen af hænder og arme.
- Tag varmt tøj på, når du arbejder under kolde forhold, og hold dine hænder varme og tørre.
- Hvis du oplever følelsesløshed, prikken, smerter eller blegning af huden i fingrene eller hænderne, skal du stoppe med at bruge værktøjet, fortælle det til din arbejdsgiver og konsultere en læge.
- Hvor det er muligt, bør værktøjets vægt understøttes i et stativ, en strammer eller en balance, fordi et lettere greb derefter kan bruges til at understøtte værktøjet.

1.9 YDERLIGERE SIKKERHEDSINSTRUKTIONER FOR PNEUMATISKE OG HYDRAULISKE ELVÆRKTØJER

- Indblæsningsluften må ikke overstige 7 bar (100 PSI).
- Luft under tryk kan forårsage alvorlig personskade.
- Efterlad aldrig værktøjet uden opsyn. Frakobl luftslangen, når værktøjet ikke er i brug, før du skifter tilbehør eller når du udfører reparationer.
- Lad IKKE udblæsningsluft på stiftopsamleren vende mod operatøren eller andre personer. Ret aldrig luft mod dig selv eller andre.
- Piskende slanger kan forårsage alvorlig personskade. Kontrollér altid for beskadigede eller løse slanger og fittings.
- Tjek altid værktøjet for defekte dele og utætte luftslinger, inden det tages i brug. Undgå at tabe tunge genstande på slangerne. Et hårdt slag kan medføre indre beskadigelser og kan resultere i tidlige slangedefekter.]
- Kold luft skal rettes væk fra hænderne.
- Når der bruges universelle drejekoblinger (klokoblinger), skal der installeres låsestifter, og der skal bruges piskestop-sikkerhedskabler til at beskytte mod eventuel tilslutningsfejl mellem slange og værktøj eller slange og slange.
- Løft IKKE værktøjet med slangen. Brug altid værktøjets håndtag, når værktøjet skal flyttes.
- Udluftningshullerne må ikke blokeres eller dækkes.
- Undgå snavs og fremmedlegemer i værktøjets hydrauliksystem, da dette vil medføre funktionsfejl på værktøjet.
- Olie under tryk kan forårsage alvorlig personskade.
- Kontrollér hydraulikslanger for beskadigelser inden brug. Alle hydraulikforbindelser skal være rene, helt tilkoblede og tætte inden brug. Undgå at tabe tunge genstande på slangerne. Et hårdt slag kan medføre indvendig skade på værktøjet, og føre til fejl i lufttilførslen.
- Træk eller bevæg IKKE forstærkerenheden ved hjælp af slangerne. Brug altid enhedens håndtag.
- Brug kun ren olie og påfyldningsudstyr.
- Der må kun anvendes anbefalede hydraulikvæsker.
- Hydraulikvæskens maksimale temperatur ved indløbet er 100°C (212°F)..

⚠ ADVARSEL: Selvom der naturligt vil forekomme en lille smule slid og mærkning ved normal og korrekt brug af dorne, skal de regelmæssigt undersøges for overdreven slid og mærkning, og du skal være særligt opmærksom på hoveddiametere, halekæbens gribeområde på skaftet eller kraftig afskalning af skaftet og eventuel dornforvrængning. Dorne, der svigter under brug, kan tvinge værktøjet ud. Det er kundens ansvar at sikre, at dorne udskiftes inden for høje slidniveauer og altid inden det maksimalt anbefalede antal placeringer. Kontakt din repræsentant for STANLEY Engineered Fastening, som vil informere dig om dette tal ved at måle rømmenålsbelastningen af din applikation med vores kalibrerede måleværktøj.

STANLEY Engineered Fastening har en politik om løbende produktudvikling og forbedring, og forbeholder retten til at ændre specifikationen af ethvert produkt uden forudgående varsel.

2. SPECIFIKATIONER

2.1 SPECIFICATION FOR 07536 VÆRKTØJ

Lufttryk	Minimum - Maksimum	5-7 bar (70-100 lbf/in ²)
Luftforbrug påkrævet	ved 5,1 bar /75 lbf/in ²	2,6 liter (0,09 ft ³)
Slag	Minimum	25 mm (1 in)
Trækstyrke	ved 5,5 bar /80 lbf/in ²	3,89 kN (875 lbf)
Cyklustid	Ca.	1 sekund
Vægt	Pistol	1,2 kg (2,64 lb)

2.2 SPECIFICATION FOR 07531 FORSTÆRKER

Lufttryk	Minimum - Maksimum	5-7 bar (70-100 lbf/in ²)
Intensiveringsforhold		32:1

Støjværdier fastsat i henhold til støjtestkode ISO 15744 og ISO 3744.		07536
A-vægtet lydeffektniveau dB(A), L_{WA}	Usikkerhed støj: $k_{WA} = 2,3$ dB(A)	79,5 dB(A)
A-vægtet emissionslydtrykniveau på arbejdsstationen dB(A), L_{pA}	Usikkerhed støj: $k_{pA} = 2,3$ dB(A)	68,5 dB(A)
C-vægtet maksimalt emissionslydtrykniveau dB(C), L_{pC} maks.	Usikkerhed støj: $k_{pC} = 2,5$ dB(C)	96,9 dB(C)
Vibrationsværdier fastsat i henhold til vibrationstestkode ISO 20643 og ISO 5349.		07536
Vibrationsemissionsniveau, a_{hd}	Usikkerhed vibration: $k = 0,25$ m/s ²	0,97 m/s ²
Erklærede vibrationsemissionsværdier i overensstemmelse med EN 12096		

3. TILSIGTET FORMÅL

Det pneumatiske 07536 værktøj er et håndholdt let værktøj, der er designet til at placere 1/16" Avlug®, hvilket gør det ideelt til parti- eller flowline-montering ved en lang række opgaver i alle industrier.

Håndværktøjet og forstærkeren er blevet testet som separate elementer og kombineret. De må kun anvendes sammen og ikke til andre formål. Se "Ibrugtagning" på side 203-206 vedr. tilslutnings-oplysninger.

Her findes artikelnumrene til bestilling af det komplette værktøj, men intet frontudstyr.

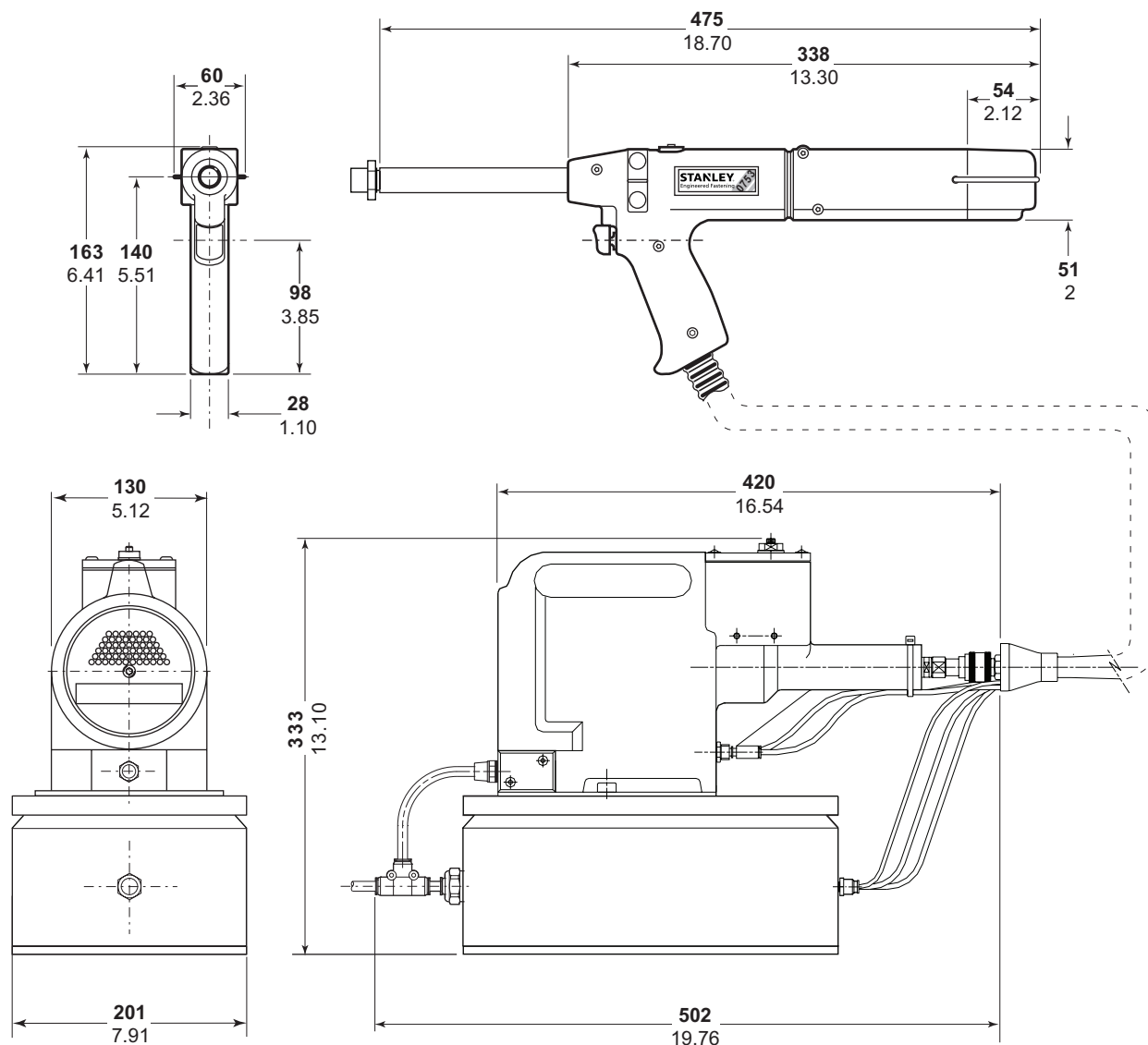
Værktøjsnummeret for modellen 07536 er 07536-02200.

Se de generelle enheder på siderne 209-216.

MÅ IKKE anvendes under våde forhold eller i nærheden af brændbare væsker eller gasser.

3.1 VÆRKTØJSDIMENSIONER - MODELLEN 07536

Delnummer 07536-02100



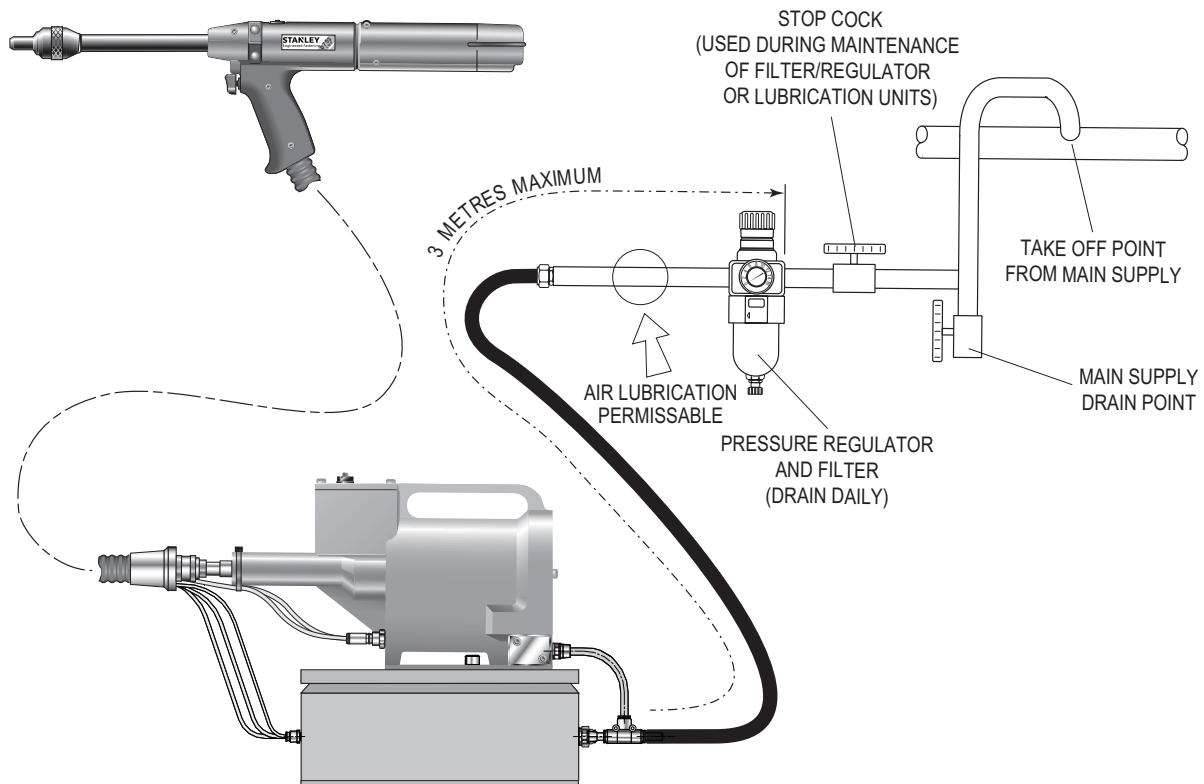
Dimensioner i mm.

4. IBRUGTAGNING

4.1 LUFTFORSYNING

Alle værktøjer drives med komprimeret luft ved et optimalt tryk på 5,5 bar. Vi anbefaler brug af trykregulatorer og automatiske smøre-/filtreringssystemer på hovedluftforsyningen. For at sikre en maksimal levetid og minimum vedligeholdelse af værktøjet bør de monteres inden for 3 meter fra værktøjet (se diagrammet herunder).

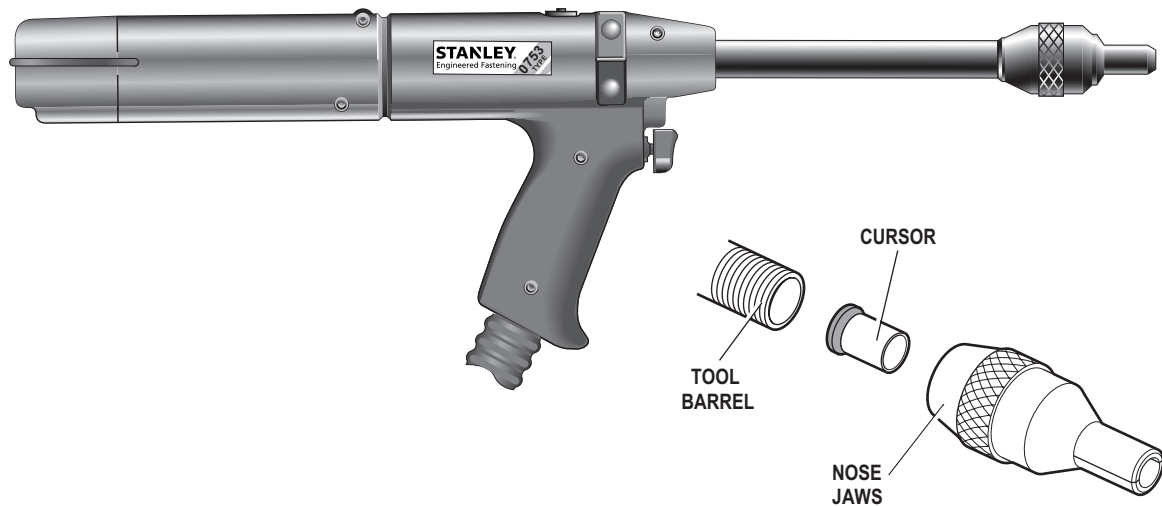
Luftforsyningsslangerene bør have et minimum effektivt arbejdstryk på 150% af det maksimale tryk produceret i systemet eller 10 bar, alt efter hvilket der er det højeste. Luftslinger bør være olieresistente, være slidstærke udvendigt og bør være forstærket, hvor driftsbetingelserne kan resultere i, at slanger bliver beskadiget. Alle luftforsyningslanger SKAL have en borningsdiameter på minimum 6,4 millimeter eller 1/4 tomme.



Følg nedenstående trin, når værktøjet sluttes til forstærkeren og hovedluftforsyningen:

- Skub enden på værktøjets største hydraulikslange ind i lyntilslutningen på enden af forstærkeren.
- På frontsiden af forstærkeren (se side 209):
 - Skub den blå pneumatiske (4 mm OD) ledning ind i reduktionsforskrningen, som findes på den venstre skotttilslutning.
 - Skub den sorte pneumatiske (4 mm OD) ledning ind i plastikmanchetten på den højre skotttilslutning.
- På frontsiden af kontrolboksen (se side 209):
 - Skub den sølvfarvede pneumatiske (3 mm OD) ledning ind i reduktionen mærket med 'Cursor' på frontsiden af kontrolboksen - venstre side.
 - Skub den grønne pneumatiske (4 mm OD) ledning ind i reduktionen mærket med 'Tail Jaws' på frontsiden af kontrolboksen - midten.
 - Skub den hvide pneumatiske (4 mm OD) ledning ind i reduktionen mærket med 'Signal' på frontsiden af kontrolboksen - højre side.
- Montér en pneumatisk slange mellem han-tilslutningen på bagsiden af forstærkeren og hovedluftforsyningen.

4.2 LUFTMARKØRER



Valg af luftmarkør

Se det separate datablad 07900-00863 for frontstykkets komponenter.

MARKØR

VIGTIGT

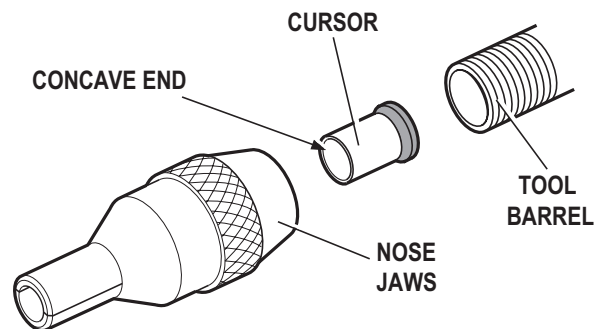
Hvis den er monteret forkert, vil markøren ikke tillade fyldning af værktøjet og tilførsel af nitterne.

Selvom mørkeren er monteret den rigtige vej ved leveringen af værktøjet, anbefaler vi, at du kontrollerer dens retning, inden du monterer frontudstyret. Markørens lidt indbuede ende bør vende mod forsiden af værktøjet, som vist på illustrationen.

Følg disse trin for at vende markørens retning:

Der skal udvises ekstrem forsigtighed, når du udfører følgende procedure. Vær forsigtig for at undgå løbet og den dorn, der stikker ud.

- Fjern frontstykket, hvis der er et.
- Sæt en tom dorn helt ind i værktøjet.
- Luk halekæberne **32** ved at aktivere for halekæbekontakten (element **18** og **19**).
- Markøren popper ud af løbet efter en kort forsinkelse.
- Åbn halekæberne **32** ved at slukke for halekæbekontakten (element **18** og **19**), dette vil frigive dornen.
- Fjern markøren fra dornen og indsæt markøren i løbet.



4.3 FYLDNING OG GENFYLDNING AF VÆRKTØJET

VIGTIGT

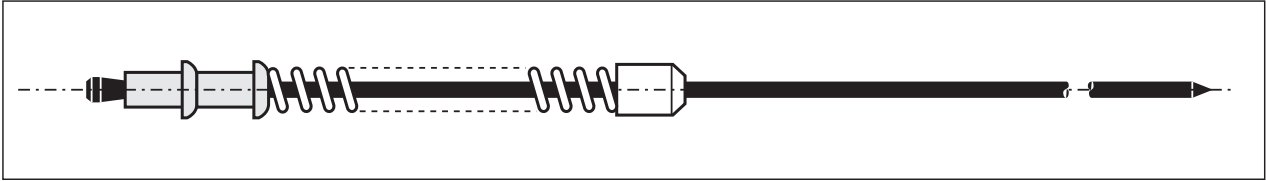
Proceduren for fyldning af værktøjet og montering af frontudstyret på værktøjet er integreret.

Når du bestiller et komplet værktøj eller system, får du normalt leveret alt det frontudstyr, der er nødvendigt for at kunne placere nitten.

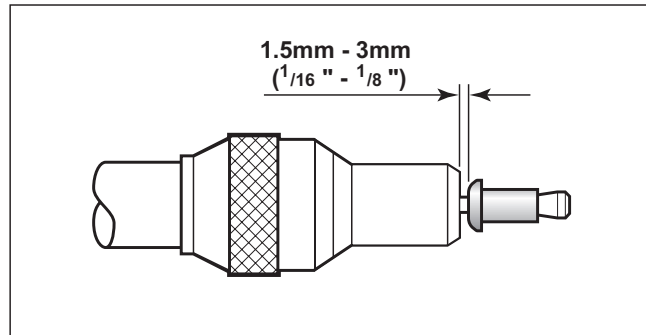
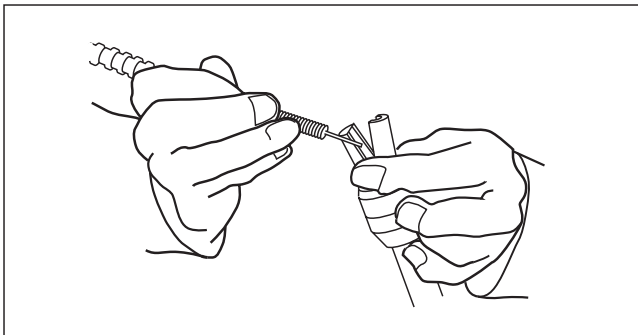
Hvis du har fået leveret en frontkæbe, dorne og dornfølgefjedre, bør du gå i gang med at fylde værktøjet og montere frontudstyret som vist herunder.

Fyldning af værktøjet

- Forbind luftforsyningen til værktøjet.
- Åbn halekæber **32**, som holder fast om dornen, ved at deaktivere halekæbekontakten (element **18** og **19**).
- Skru de valgte næsekæber fast på værktøjets løb **44**.
- * Isæt en dorn i nitternes bagende gennem papirkapslen.
- Skub dornfølgefjederen hen på dornen, mens du sikrer en korrekt retning.



- Tag fat i dornens ende, og riv papirkapslen rundt nitterne af.
- Åbn frontkæberne ved enten at dreje den ydre ring på de knaststyrede kæber eller ved at skubbe kæbeenderne udad, som vist herunder til venstre.
- Isæt den tidligere monterede dorn, dornfølgefjederen og nitterne i frontkæberne, indtil den første nitte, der skal placeres, stikker ud af frontkæben.
- Luk næsekæberne og juster dem, så den første nitte stikker ud med 1,5 mm - 3 mm ($1/16''$ to $1/8''$), som vist i illustrationen herunder til højre.
- Luk halekæberne **32** for at sikre, at dornen bliver holdt fast ved at aktivere for halekæbekontakten (element **18**, og **19**).



Genfyldning af værktøjet

- Åbn værktøjets halekæber **32** ved at slå halekæberne fra (element **18** og **19**).
- Åbn frontkæberne og træk den tomme dorn og dornfølgefjederen ud af værktøjet.
- Genfyld værktøjet ved at følge ovenstående instruktioner, startende på trin •*.

Indstilling af værktøjet - kun justerbare frontstykker

Indsæt den tidligere monterede dorn (se Fyldning af værktøjet •*) eller bortskaffelsen af dornen mod stoppet inden for halekæbestempelenheden **60**.

Mens du holder dornen, skal du åbne halekæber **32**, som holder fast om dornen, ved at aktivere halekæbekontakten (**18** og **19**).

Skru låsemøtrikken fast på værktøjets løb **44**.

Roter frontstykket på løbet **44**.

Juster frontstykket, så den første nitte stikker ud med 1,5 mm-3 mm ($1/16''$ - $1/8''$), som vist i illustrationen på side 205.

Spænd låsemøtrikken mod frontstykket for at forhindre frontkæbesamlingen i at bevæge sig.

Genfyldning af værktøjet

Åbn værktøjets halekæber ved at deaktivere halekæbekontakten (**18-19**).

Åbn kæberne og træk den tomme dorn og følgefjederen ud af værktøjet.

Indsæt den nye dorn mod stoppet i værktøjet, og luk halekæberne **32**, som holder fast om dornen, ved at aktivere halekæbekontakten (**18** og **19**).

Luk halekæberne **32**.

4.4 ANVENDELSESPROCEDURE**VIGTIGT**

Du skal kontrollere, om markørretningen og frontudstyret er korrekt, inden du forsøger at betjene værktøjet.

- Skub nitten, der stikker ud af frontkæberne, helt ind i applikationshullerne, mens du sikrer dig, at værktøjet holdes lige.
- Betjen udløseren uden at give slip - dornhovedet trækkes gennem nitten, så nitten formes ind i applikationen.
- Fjern værktøjet.
- Slip udløseren. Den næste nitte præsenteres automatisk gennem frontkæberne og er klar til placering.

5. VEDLIGEHOLDELSE AF VÆRKTØJET

Regelmæssig service bør udføres, og en omfattende inspektion skal foretages årligt eller efter hver 500.000 monteringer, alt efter hvad der kommer først.

VIGTIGT

Arbejdsgiveren er ansvarlig for at sikre, at det relevante personale er blevet instrueret om vedligeholdelse af værktøjet.

Operatøren bør ikke involveres i vedligeholdelse eller reparation af værktøjet, med mindre denne er blevet oplært på passende vis.

5.1 PNEUMATISK KONTROLBOKS

VIGTIGT

Den pneumatiske boks må under ingen omstændigheder åbnes. Boksen er et lukket element.

De interne justeringer er forudindstillede og må ikke ændres eller manipuleres med.

Det er kun autoriseret STANLEY Engineered Fastening-personale, der må skille denne kontrolboks ad.

▲ PAS PÅ: Brug aldrig opløsningsmidler eller andre kraftige kemikalier til at rengøre værktøjets ikke-metalliske dele. Disse kemikalier kan svække de materialer, der anvendes i værktøjet.

5.2 DAGLIGT

- Dagligt, før brug, og når værktøjet tages i brug for første gang. • Hæld et par dråber ren, let smøreolie ind i luftindtaget på forstærkeren, hvis der ikke er monteret en smørekop på lufttilførslen. Hvis værktøjet er i konstant brug, bør luftslangen frakobles, og værktøjet smøres efter hver anden til tredje time.
- Kontroller for luft- og olielækager. Hvis beskadiget, skal slanger og koblinger udskiftes.
- Hvis der ikke findes et filter på trykregulatoren, udluft luftledningen for at rydde det for ophobet snavs eller vand før tilslutning af luftslangen til forstærker. Dræn det, hvis der er et filter.
- Kontrollér, om frontudstyret er korrekt.
- Kontrollér dorne regelmæssigt for tegn på slid eller skader ved at overvåge antallet af placeringer (læs sikkerhedsinstruktioner på side 198-200).

5.3 UGENTLIGT

- Udfør de fulde "Daglige" procedurer som beskrevet herover.
- Fjern, inspicér, rengør og smør halekæberne (se "Halekæbecylinder" i "Vedligeholdelsesafsnittet" på side 210).
- Kontrollér, at oliestanden i forstærkerenhedens beholder er ca. 12 mm (1/2") under den transparente dæklade.

5.4 MOLYLITHIUM SMØREMIDDEL EP 3753 SIKKERHEDSDATA

Smøremiddel kan bestilles som en enkelt vare. Varenummeret vises i servicekittet på side 208.

Førstehjælp

HUD:

Da smøremidlet er helt vandafvisende, fjernes det bedst med et godkendt, emulgerende hudrensemiddel.

INDTAGELSE:

Sørg for, at personen drikker 30 ml magnesiummælk, helst i en kop mælk.

ØJNE:

Irriterende, men ikke skadeligt. Skyl med vand og søg lægehjælp.

Brand

FLAMMEPUNKT: Over 220 °C.

Ikke klassificeret som brændbart.

Egnede slukningsmidler: CO₂, Halon eller vandspray, hvis det påføres af en erfaren operatør.

Miljø

Opsaml til forbrænding eller bortskaffelse på godkendt sted.

Håndtering

Brug barrierecreme eller olieresistente handsker.

Opbevaring

Væk fra varme og oxidationsmiddel.

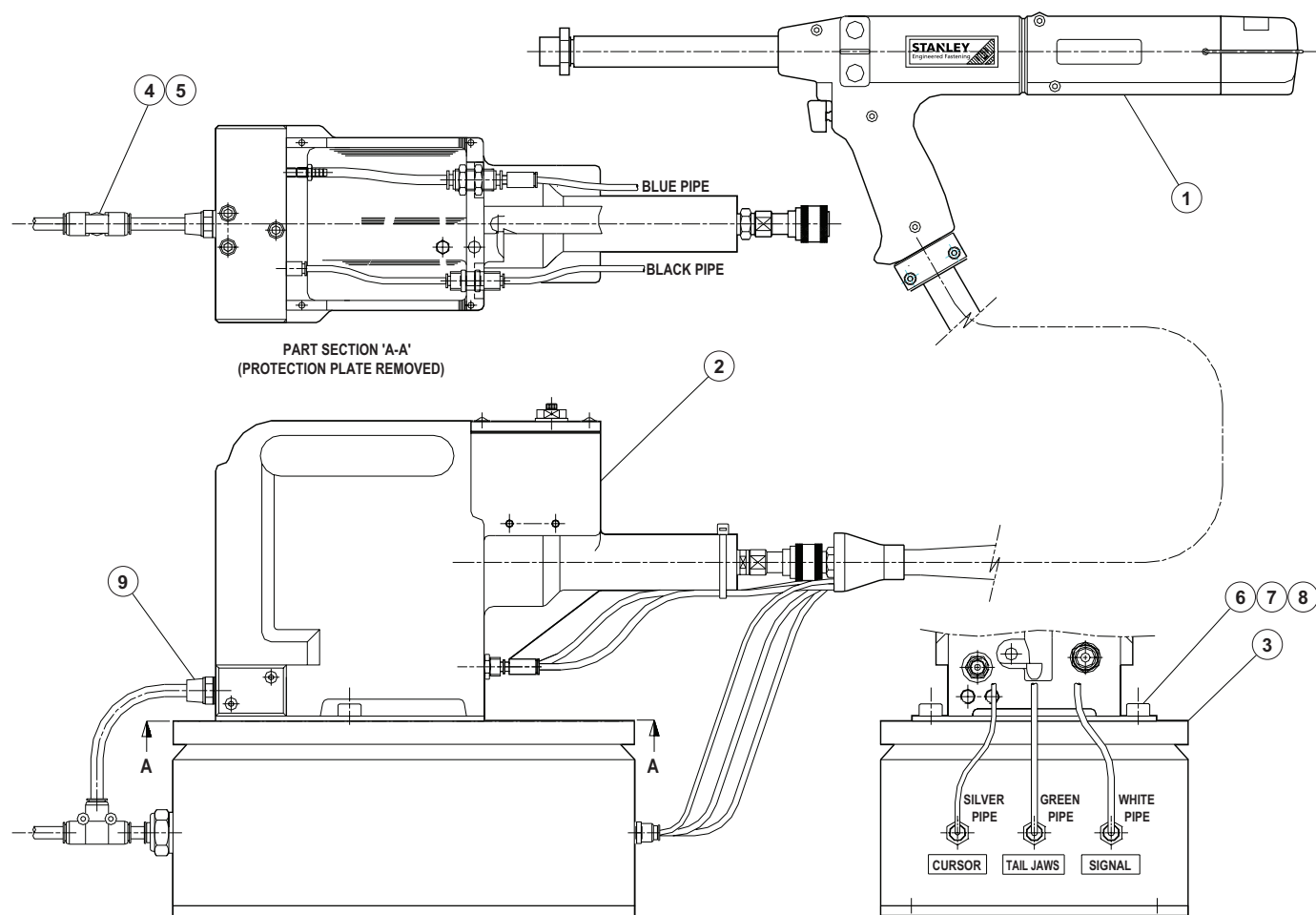
5.5 SERVICEKIT

For alt service anbefaler vi at bruge servicekittet (delnummer 07900-05300).

SERVICEKIT					
ELEMENT DEL-NR.	BESKRIVELSE	NR. AF	ELEMENT DEL-NR.	BESKRIVELSE	NR. AF
07900-00157	LÅSERINGSTANG	1	07900-00352	KROG TIL FJERNELSE AF TÆTNING	1
07900-00006	SPATEL	1	07900-00710	NØGLE TIL FJERNELSE AF LØBPROP	1
07900-00446	UDTRÆKKER	1	07900-00725	KUGLE	1
07900-00603	SKRUESTIKKÆBER TIL LØB	1	07900-00243	SKRUESTRÆKKER	1
07900-00520	3/8" STANG	1	07900-00717	FORSTÆRKERNØGLE	1
07900-00521	1/4" STANG	1	07900-00013	1/8" UNBRAKONØGLE	1
07900-00602	KUGLE TIL 'O'-RINGMONTERING	1	07900-00617	LOCTITE® MULTI-PAKNING 574 50 ml PAKKE	1
07900-00595	18 mm SKRUENØGLE	1	07900-00469	2,5 mm UNBRAKONØGLE	1
07900-00434	32 mm SKRUENØGLE	1	07900-00351	3 mm UNBRAKONØGLE	1
07900-00237	3/8" × 5/16" B.S.W. SKRUENØGLE	1	07900-00224	4 mm UNBRAKONØGLE	1
07900-00012	9/16" × 5/8" SKRUENØGLE	1	07900-00225	5 mm UNBRAKONØGLE	1
07900-00008	7/16" × 1/2" SKRUENØGLE	1	07992-00020	80 g DÅSE MOLY-LITHIUM SMØREMIDDEL EP 3753	1

Bemærk: Nøglestørrelser måles 'over fladen', med mindre andet er specificeret.

5.6 LUFTMARKØRVÆRKTØJ, FORSTÆRKER OG KONTROLBOKSSAMLING 07536-02100



ELEMENT	DEL nr.	BESKRIVELSE	Nr. AF
1	07536-02200	LUFTMARKØR-HÅNDVÆRKTØJ	1
2	07531-02200	FORSTÆRKERVÆRKTØJ	1
3	07007-02024	LUFTMARKØR-KONTROLBOKS	1
4	07005-10071	T-KONNEKTOR	1
5	07005-10072	8 MM RØR (2,50 m)	1
6	74405-12080	MODIFICERET M8 NUTSERT	8
7	07001-00469	M8 × 15 MASKINSKRUE MED KNAPHOVED	2
8	07002-00105	M8 SPÆNDESKRIVE	4
9	07005-01573	HAN-KONNEKTOR 8 MM RØR	1
10	07005-01977	HAN/HUN-REDUKTION 6 MM/4 MM	1

6. VEDLIGEHOLDELSE

Hver 500.000 cyklusser skal værktøjet demonteres helt, og nye enheder skal tages i anvendelse, hvis der forekommer slid, beskadigelser eller når det anbefales. Alle O-ringe og tætninger skal fornyes og smøres med Molythium smøremiddel EP 3753 inden montering.

VIGTIGT

Sikkerhedsinstruktioner vises på side 4.

Arbejdsgiveren er ansvarlig for at sikre, at det relevante personale er blevet instrueret om vedligeholdelse af værktøjet.

Operatøren bør ikke involveres i vedligeholdelse eller reparation af værktøjet, med mindre denne er blevet oplært på passende vis.

Luftledningen skal afbrydes, før der foretages forsøg på service eller demontering, medmindre andet er specifikt instrueret.

Det anbefales, at enhver demontering udføres under rene forhold.

Det er nødvendigt at fjerne frontudstyret inden demontering af værktøjet.

For at udføre en komplet service af værktøj anbefaler vi, at du går i gang med demonteringen af undersamlinger i nedenstående rækkefølge efter at have koblet hydraulikslangen fra forstærkerenheden, luftledningerne fra forstærkeren og kontrolboksen, og dermed adskilt pistolenheden fra forstærkerenheden.

De potentielt farlige stoffer, der kan have aflejret sig på maskinen som et resultat af arbejdsprocesser, skal fjernes inden vedligeholdelse.

6.1 DEMONTERING AF 07536-02200

HALEKÆBECYLINDER

- Vip holdeklemme **53** op manuelt, og fjern endehætte **59**.
- Anvend en unbrakonøgle* til at fjerne en cylinderskrue **6** og kontrollér, om evt. indesluttet luft i halekæbecylindern er sluppet ud. Fjern den anden cylinderskrue **6**.
- Tag den bagerste prop **50** ud. **Bemærk:** For at hjælpe med udtrækningen er der et 5 mm gevind på bagsiden af proppen.
- Udtræk luft-halekæbekomponenter, der består af halekæbestempelenhed **60**, stop **52**, 'O'-ring **12** og kæber **32**.
- Udtræk de resterende komponenter, der består af fjeder **36** og kæbehus **42**.
- Den frie længde af fjeder **36** bør være 38,1 mm (1,5"). Udskift om nødvendigt.
- Fjern stempelsamlingstætning 'O'-ring **11**.
- Frakobl luftmarkør concertina-røret (grønt) **49** fra vinkeltilslutningen **22**.
- Frakobl luftmarkør concertina-røret (sølvfarvet) **38** fra rørvinklen **30**.
- Anvend en unbrakonøgle* til at fjerne alle fem skruer **3**, **4** og alle fire møtrikker **8**, der fastholder håndtagsstøbning, fra værktøjshåndtaget.
- Fasthold løb **44** i en skruestik med bløde kæber for at undgå skader.
- Anvend en topnøgle* til at skrue løbprop **46** af og anvend samtidigt en åben skruenøgle* for at forhindre løb **44** i at dreje.
- Træk halekæbecylindern **47** fra værktøjet.
- Fjern 'O'-ring **14**, gummistrimmel **41** og løbreturfjeder **37**.
- Dæk overfladen af halekæberne **32** med Molythium smøremiddel, i kontakt med kæbehuset **42**, før montering.
- Monter i omvendt rækkefølge af demontering.

HYDRAULISK STEMPEL

- Fjern halekæbecylinder **47** som beskrevet tidligere.
- Fasthold legeme **45** i skruestik med bløde kæber for at undgå skader, løsn slagbegrænseren **40**.

* Se elementerne, der er inkluderet i servicekittet 0753 Mkll. Se side 208 vedr. en komplet liste.
Varenumre med **fed skrift** henviser til den generelle komponent- og reservedelsliste på side 212-213.

- Brug en unbrakonøgle* til at løsne skruen **5**, der holder switchblokken **54** fast på løbet **44**.
- Hold godt fast i værktøjet, og træk løbet **44** fra kroppen **45** (en lille mængde hydraulisk olie kan komme ud af hovedsamlingens inderside).
- Fjern stempel **39** med omhu for ikke at beskadige hovedboringen.
- Fjern tætning **16**.
- Tætning **17** er svær at fjerne uden at beskadige den, men den kan forblive på plads under rengøring (såfremt den ikke påvirkes af rengøringsprocessen). Hvis det dog er nødvendigt at udskifte tætning **17**, skal efterfølgende udføres:
- Anvend en spatel* til at vriste tætning **17** ud af legeme **45**, og pas på ikke at beskadige legemets hulrum og borer. Den fjernede tætning **17** SKAL bortskaffes.
- For at sætte tætningen **17** på plads skal du løsne udluftningspropen **43**, indtil inderfladen flugter med den indvendige boring af legemet **45**. På den måde er det muligt at sørge for en glat passage til isætning af den nye tætning **17** gennem den bagerste del af legemet **45**.
- Sørg for, at tætningen **17** er godt smurt og vender korrekt med den åbne ende af tætningen mod de bageste halekæber.
- Gennemfør monteringen i omvendt rækkefølge af demontering.

UDLØSERENHED

- For at demontere/servicere enheden skal dækpladerne fjernes fra værktøjet, som beskrevet tidligere.
- Frakobl alle luftslangerne fra enheden med omhu for ikke at beskadige dem. Fjern enheden.
- Skru holder **34** af vha. en skruenøgle* og fjern den. Sørg for at fjeder **31** ikke forsvinder.
- Løft 'O'-ring **10** ud med omhu for ikke at beskadige spindel 35 og sæder på holder **34**.
- Rengør og monter igen med en ny 'O'-ring **10**.
- Kontrollér længden af fjeder **31**, som skal have en fri længde på 12,7 mm (0.5") – Udskift om nødvendigt.
- Monter i omvendt rækkefølge af demontering.

HALEKÆBE TIL/FRA-VENTIL

- Enheden er konstrueret på en sådan måde, at der kræves minimal service i løbet af værktøjets levetid.
- Udfør følgende, hvis det er nødvendigt at demontere ventilen:
- Fjern udløserhuset **56** som beskrevet i afsnittet "Hydraulisk stempel".
- Anvend en skruetrækker* til forsigtigt at fjerne krom-tandskive **18** fra lufthalekæbespole **55**, og kassér skiven.
- Udtag luft-halekæbespole **55** fra kontaktblok **54**.
- Pas på ikke at beskadige lufthalekæbespole **55**, og fjern 'O'-ringene **12**.
- Rengør spole og anbring nye 'O'-ringe **12** ved hjælp af monteringskugle* og anbring den i kontaktblok **54**, mens du er opmærksom på dens retning.
- Monter den nye krom-tandskive **18**, mens enheden befinder sig i en skruestik med bløde kæber for at forhindre skader. BRUG IKKE FOR MEGET KRAFT.
- Gennemfør monteringen i omvendt rækkefølge af demontering.

HÅNDTAG OG ENDEHÆTTE

- Rengør og efterse støbninger for revner eller andre skader.

MARKØR

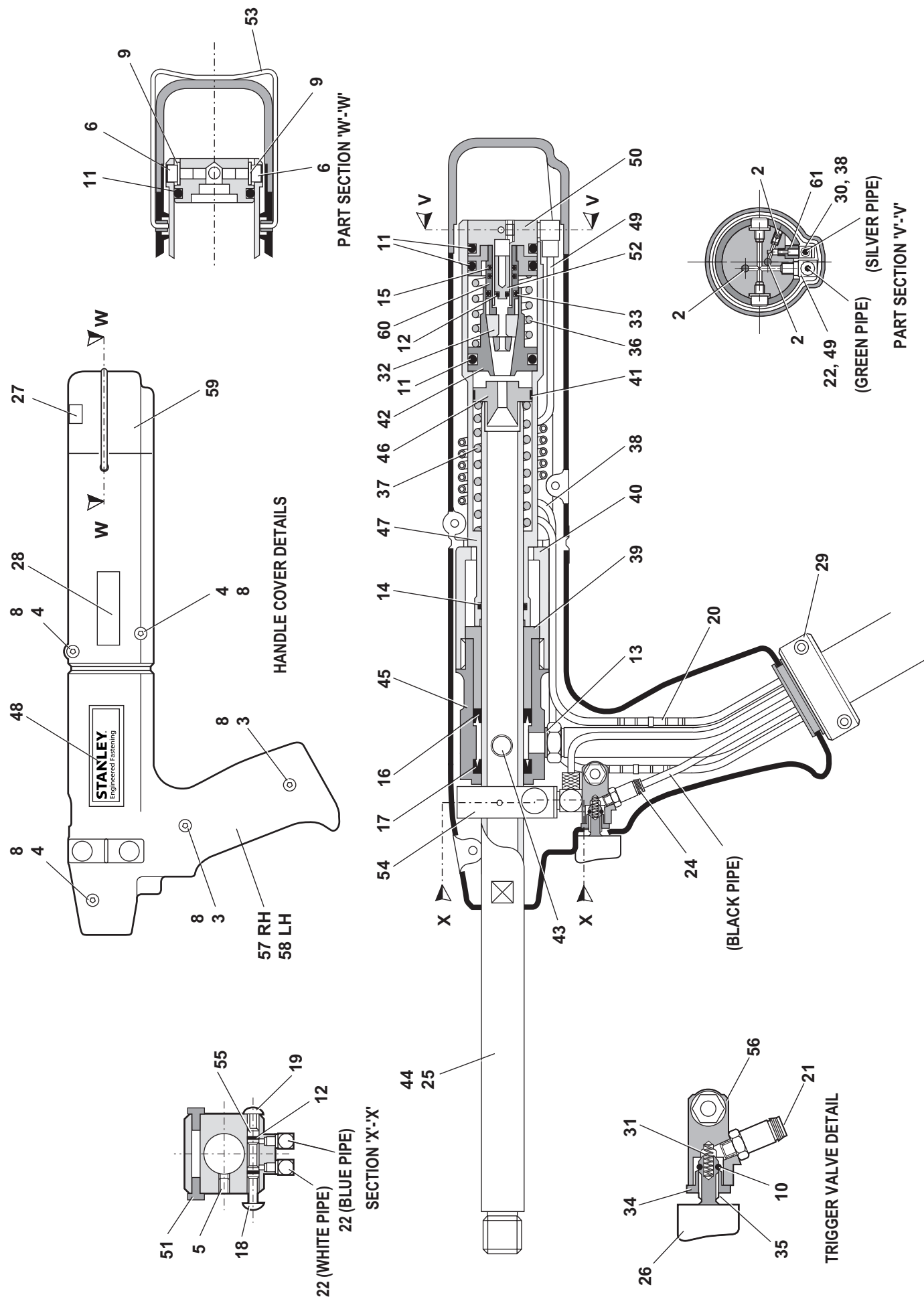
- Rengør og smør markørsamlingen ind imellem med lidt let olie.

VIGTIGT

**Kontrollér værktøjet i henhold til daglig og ugentlig service.
En klargøring er ALTID nødvendig, efter at værktøjet er blevet demonteret, og inden anvendelse.**

* Se elementerne, der er inkluderet i servicekittet 0753 Mkll. Se side 208 vedr. en komplet liste.
Varenumre med **fed skrift** henviser til den generelle komponent- og reservedelsliste på side 212-213.

6.2 GENERELLE ENHEDER FOR BASISVÆRKTØJ 07536-02200



6.3 RESERVEDELSLISTE FOR BASISVÆRKTØJ 07536-02200

07536-02200 RESERVEDELSLISTER											
ELEMENT	DEL NR.	BESKRIVELSE	ANTAL RESERVEDELE	ELEMENT	DEL NR.	BESKRIVELSE	ANTAL RESERVEDELE	ELEMENT	DEL NR.	BESKRIVELSE	ANTAL RESERVEDELE
1	07007-00392	KABELBÅND (VISES IKKE)	1	-	07220-00803	HOLDER	1	34	07220-00803	HOLDER	1
2	07001-00499	M3 x 5 LANG SÆTSKRUE	3	-	07241-00208	SPINDEL	1	35	07241-00208	SPINDEL	1
3	07001-00262	M4 x 22 LANG CYLINDERSKRUE UNBRAKO	1	-	07154-00404	FJEDER	1	36	07154-00404	FJEDER	1
4	07001-00401	M4 x 10 LANG CYLINDERSKRUE UNBRAKO	4	-	07490-03002	LØBRETURFJEDER	1	37	07490-03002	LØBRETURFJEDER	1
5	07001-00404	M5 x 6 LANG SÆTSKRUE MED KNAPHOVED	1	-	07536-02211	3 MM LUFTMARKØR CONCERTINA- RØR - SØLVFARVET	1	38	07536-02211	3 MM LUFTMARKØR CONCERTINA- RØR - SØLVFARVET	1
6	07001-00504	M4 x 6 LANG CYLINDERSKRUE UNBRAKO	2	2	07536-00203	STEMPEL	1	39	07536-00203	STEMPEL	1
7					07530-00204	SLAGBEGRÆNSER	1	40	07530-00204	SLAGBEGRÆNSER	1
8	07002-00134	M4 SEKSKANTMØTRIK	4	-	07530-00206	GUMMISTRIMMEL	1	41	07530-00206	GUMMISTRIMMEL	1
9	07002-00153	M4 SKIVE [PLASTIK]	2	-	07536-00208	KÆBEHUS	1	42	07536-00208	KÆBEHUS	1
10	07003-00022	'O'-RING	1	-	07530-00500	UDLUFTNINGSPROPENHED [ELEMENT 62 TIL 65] ●	1	43	07530-00500	UDLUFTNINGSPROPENHED [ELEMENT 62 TIL 65] ●	1
11	07003-00113	'O'-RING	3	3	07536-02201	LØB	1	44	07536-02201	LØB	1
12	07003-00121	'O'-RING	3	3	07530-02202	LEGEME	1	45	07530-02202	LEGEME	1
13	07003-00142	1/8" BSP BUNDET TÆTNING	1	1	07530-02205	LØBPROP	1	46	07530-02205	LØBPROP	1
14	07003-00167	'O'-RING	1	1	07536-02207	HALEKÆBECYLINDER	1	47	07536-02207	HALEKÆBECYLINDER	1
15	07003-00386	'O'-RING	2	-	07530-02210	MÆRKE	2	48	07530-02210	MÆRKE	2
16	07003-00236	TÆTNING [DYNAMISK]	1	1	07536-02212	4 MM LUFTMARKØR CONCERTINA- RØR - GRØN	1	49	07536-02212	4 MM LUFTMARKØR CONCERTINA- RØR - GRØN	1
17	07003-00237	TÆTNING [STATISK]	1	-	07536-02213	BAGERSTE PROP	1	50	07536-02213	BAGERSTE PROP	1
18	07004-00058	1/8" STJERNELÅSEKIVE KROM	1	-	07530-00310	BLANKNINGSPROP	2	51	07530-00310	BLANKNINGSPROP	2
19	07004-00059	1/8" STJERNELÅSEKIVE SORT	1	-	07536-02214	STOP	1	52	07536-02214	STOP	1
20	07005-10073	3 MM KONNEKTOR	1	-	07530-02220	KLEMME	1	53	07530-02220	KLEMME	1
21	07005-01357	KONNEKTOR AF SPÆNDEPATRON- TYPEN	1	-	07530-02301	SWITCHBLOK	1	54	07530-02301	SWITCHBLOK	1
22	07005-01571	VINKELTILSLUTNING	3	-	07530-02302	LUFT-HALEKÆBESPOLE	1	55	07530-02302	LUFT-HALEKÆBESPOLE	1
23	07536-02216	LÅSEMØTRIK	1	-	07530-02311	UDLØSERHUS	1	56	07530-02311	UDLØSERHUS	1
24	07005-10074	2 MM KONNEKTOR	1	-	07536-02601	SAMLING AF HÅNDTAGSSTØBNING, HØJRE	1	57	07536-02601	SAMLING AF HÅNDTAGSSTØBNING, HØJRE	1
25	07007-00017	STØVHÆTTE	1	-	07536-02602	SAMLING AF HÅNDTAGSSTØBNING, VENSTRE	1	58	07536-02602	SAMLING AF HÅNDTAGSSTØBNING, VENSTRE	1
26	07007-00300	UDLØSERKNAP	1	-	07530-02603	ENDEHÆTTE	1	59	07530-02603	ENDEHÆTTE	1
27	73200-02022	SIKKERHEDSMÆRKE	1	-	07536-02800	HALEKÆBE/STEMPEL-SAMLING	1	60	07536-02800	HALEKÆBE/STEMPEL-SAMLING	1
28	07007-01504	CE-MÆRKEETIKET	1	-	07536-02215	FITTING-ADAPTER	1	61	07536-02215	FITTING-ADAPTER	1
29	07008-00438	FLEKSIBEL SLANGESAMLING	1	-	07003-00142	● BUNDET TÆTNING (VISES IKKE)	1	62	07003-00142	● BUNDET TÆTNING (VISES IKKE)	1
30	07005-01323	M3 RØRVINKEL	1	-	07003-00194	● BUNDET TÆTNING (VISES IKKE)	1	63	07003-00194	● BUNDET TÆTNING (VISES IKKE)	1
31	07125-00215	FJEDER	1	-	07001-00442	● SKRUE (VISES IKKE)	1	64	07001-00442	● SKRUE (VISES IKKE)	1
32	07151-00403	HALEKÆBER	1	2	07530-00501	● PROP (VISES IKKE)	1	65	07530-00501	● PROP (VISES IKKE)	1
33	07003-00016	'O'-RING	1								

6.4 DEMONTERINGSINSTRUKTIONER

- Når forstærkerenheden skal demonteres skal først luftforsyningsslangen til forstærkerindgangstilslutning **22** frakobles.
- Brug en unbrakonøgle* til at løsne fire skruer **27** og fjerne beskyttelsespladen **24**.
- Frakobl udløerslangen **47** fra forstærkerventil **43** eller **48** ved at trykke ned på spændepatronen til udløbet og trække slangen tilbage.
- Fjern dækpladen **4** og pakningen **35** ved at fjerne skruerne **37** og skiverne **36** ved hjælp af en unbrakonøgle*.
- Sørg for, at pakningen ikke er beskadiget for at sikre en korrekt tætning på enheden.
- Vend forstærkerenheden om, og aftap olie fra beholderen i en egnet beholder.
- Fjern lyntilslutningen **32** sammen med tilslutning **31** og tætningerne **33** med en egnet skruenøgle*.
- Fjern forstærkerventilen **43** eller **48** ved at fjerne fastgørelsesskruerne med en egnet skruenøgle med omhu for at bibeholde 'O'-ringen **21** på plads, som er placeret på forstærkerens støbelegeme.
- Fjern skruen **19** ved hjælp af en egnet unbrakonøgle* og fjern støjdamperens dæksel **16**, skumstøjdæmperen **15**, afstandsstykket **18** og holdepladen **20**.
- Træk plastikrøret på 6 mm **41** af vakuumtilslutningerne **42**.
- Isæt en 3 mm unbrakonøgle * gennem de to huller i forstærkerens bund for at løsne vakuumtilslutningerne **42**.
Bemærk:
 - Vær forsigtig, da vakuumtilslutningerne er låste og forseglede ved hjælp af Loctite® 574.
 - Hvis de er svære at fjerne, kan vakuumtilslutningerne bores ud ved hjælp af et bor med en diameter på $\frac{3}{16}$ " eller 4,7 mm.
- For at genmontere vakuumkonnektorerne **42** skal følgende procedure følges: -
 - Læg vakuumtilslutningerne i blød i en passende primer, f.eks. Perma Bond A905
 - Placer en dråbe Loctite® 574 i forstærkerens gevindhul.
 - Fra forstærkerens bund skal du indsætte unbrakonøglen * gennem hullet. Sørg for, at unbrakonøglen * er fri for Loctite® 574, inden den bliver anbragt i vakuumtilslutningen.
 - Drej unbrakonøglen, mens du påfører Loctite® 574 på bunden af vakuumtilslutningen.
 - Skru vakuumtilslutningen ind i forstærkeren, mens du sørger for, at der er tilstrækkelig Loctite® 574 på bunden af fittingen, så gevindet ikke er synligt.
- Brug en skruetrækker til at fjerne den indvendige holdering **14** forsigtigt. Rengør og se rillen efter for tegn på beskadigelse.
- Brug en udtrækker* til at indsætte enden med hangevind i endedækslet **12**, og træk den tilbage langs forstærkermanchetteren **28** og 'O'-ringene **10** og **13**.
- Isæt stangen* gennem tilslutningsåbningen på forstærkerlegemets front, og tryk stempelstangen **9** og stempelenheden ud.
- Brug en passende unbrakonøgle* til at løsne to skruer **25**, og fjern endedækslet **12** fra forstærkermanchetteren **28**.
- Fjern tætningsproppen **7** med skruenøgle*.
- Isæt stangen* gennem tilslutningsåbningen foran forstærkerlegemet, og skub tætningshuset **5** og de tilknyttede 'O'-ringe og kanttætninger ud.
- Fjern ventilhusenheden **34** fra hovedlegemet med en passende skruenøgle*. Rengør ved at blæse gennem med en lavtryksluftstråle.
- Fjern stempelstangen **9** fra forstærkerens luftstempel **11** ved at gribe de første 20 mm (3/4") af stangen i en skruestik udstyret med bløde kæber, mens du passer på ikke at beskadige eller markere arbejdsfladen.
- Løsn låsemøtrikken **17** med en passende skruenøgle*.
- Monter i den modsatte rækkefølge af demontering, mens du overholder følgende:
 - Rengør alle dele og forny alle 'O'-ringe.

* Se elementerne, der er inkluderet i servicekittet 0753 Mkll. Se side 208 vedr. en komplet liste.
Varenumre i **fed skrift** henviser til illustrationen og reservedelslisten på modsatte side.

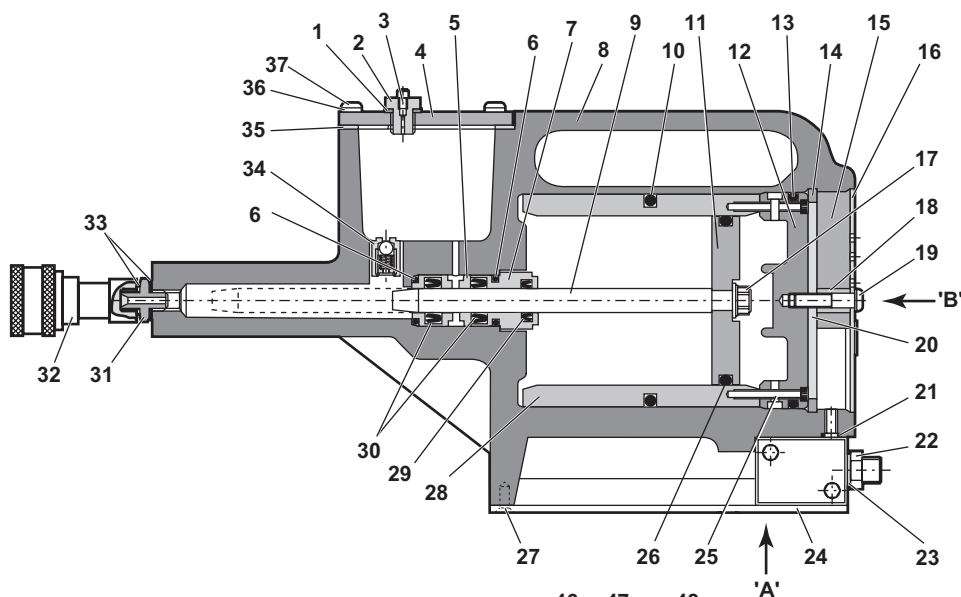
- Smør alle tætninger med Molythium smøremiddel.
- Ventilhusenheden **34** skal genmonteres med et gevindtættende klæbemiddel.
- Saml stempelenheden med en ny møtrik **17**.
- Endedækslet **12** skal monteres korrekt i holdingen **14**. Værktøjet må ikke bruges, hvis endedækslet mangler.

VIGTIGT

En klargøring er ALTID nødvendig, efter at værktøjet er blevet demonteret, og inden anvendelse.

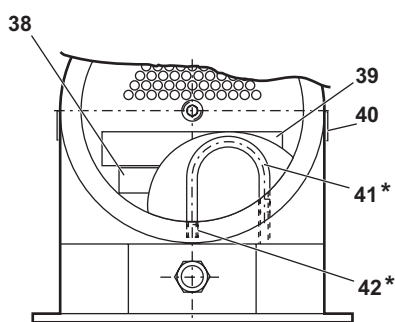
6.5 MILJØBESKYTTELSE

Sørg for overensstemmelse med gældende bestemmelser for bortskaffelse. Bortskaf alle affaldsprodukter på et godkendt affaldsanlæg eller sted for ikke at udsætte personale og miljøet for farer.

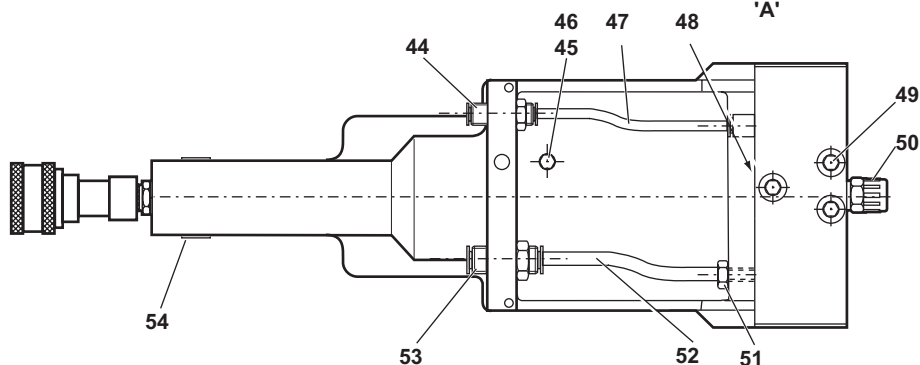
6.6 FORSTÆRKER 07531-02200

Note

* Some units will not include these items (The required link is achieved via internal porting).

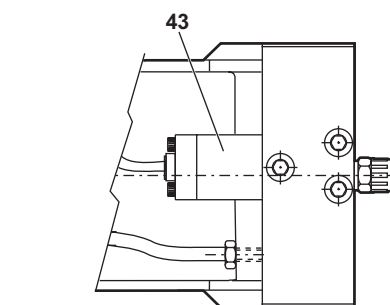


VIEW ON ARROW 'B'



VIEW ON ARROW 'A'

VIEW ILLUSTRATING FESTO VALVE



VIEW ILLUSTRATING COMPAIR VALVE

* Se elementerne, der er inkluderet i servicekittet 0753 Mkll. Se side 208 vedr. en komplet liste. Varenumre i **fed skrift** henviser til illustrationen og reservedelslisten på modsatte side.

07531-02200 RESERVEDELSLISTE										
ELEMENT	DEL NR.	BESKRIVELSE	ANTAL	RESERVEDELE	ELEMENT	DEL NR.	BESKRIVELSE	ANTAL	RESERVEDELE	RESERVEDELE
1	07003-00037	TÆTNING	1	1	28	07531-00201	BØSNING	1	1	-
2	07240-00211	FYLDSCRUE	1	-	29	07003-00337	KANTTÆTNING	1	1	1
3	07001-00418	UDLUFNINGSSKRUE	1	1	30	07003-00336	KANTTÆTNING	2	2	2
4	07240-00210	DÆKPLADE	1	-	31	07005-00406	TILSLUTNING	1	1	-
5	71420-02006	TÆTNINGSHUS	1	-	32	07005-00759	LYNTILSLUTNING	1	1	-
6	07003-00153	'O'-RING	2	-	33	07003-00142	TÆTNING	2	2	1
7	71420-02007	TÆTNINGSPROP	1	-	34	07240-00400	VENTILHUSENHED	1	1	-
8	71420-02300	LEGEMEENHED	1	-	35	07240-00209	PAKNING	1	1	1
9	71420-02008	STEMPELSTANG	1	-	36	07002-00073	SPÆNDESKRIVE	4	4	1
10	07003-00182	'O'-RING	1	1	37	07001-00554	SKRUE	4	4	1
11	07531-00202	LUFTSTEMPEL	1	-	38	07007-01504	MÆRKE	1	1	-
12	07531-00204	ENDEÅKSEL	1	-	39	07240-00217	MÆRKE	1	1	-
13	07003-00183	'O'-RING	1	1	40	07531-00205	MÆRKE	2	2	-
14	07004-00069	HOLDERING	1	1	41	07005-00596	* 6 mm PLASTIKRØR	-	-	-
15	07240-00213	SKUMSTØJDÆMPER	1	1	42	07245-00103	* VAKUUMTILSLUTNING	2	2	-
16	07240-00214	STØJDÆMPERDÆKSEL	1	-	43	07005-00590	COMPAIR-VENTIL	1	1	1
17	07002-00017	MØTRIK	1	1	44	07005-01431	SKOT-TILSLUTNING	1	1	1
18	07240-00215	AFSTANDSSTYKKE	1	-	45	07005-00668	M5 PROP	1	1	-
19	07001-00417	SKRUE	1	1	46	07005-00670	M5 TÆTNINGSRING	1	1	-
20	07240-00216	HOLDEPLADE	1	-	47	07005-01084	4 mm PLASTIKRØR (150 mm)	-	-	-
21	*07003-00042	'O'-RING	1	1	48	07005-01524	FESTO-VENTIL	1	1	-
22	07005-00041	TILSLUTNING	1	-	49	07001-00176	SKRUE	3	3	-
23	07003-00065	SPÆNDESKRIVE	1	-	50	07007-00292	1/4" BSP RØD HÆTTE	1	1	-
24	07240-00220	BESKYTTELSESPLADE	1	-	51	07005-00647	TILSLUTNING	1	1	-
25	07001-00375	SKRUE	2	-	52	07005-01085	6 mm PLASTIKRØR (150 mm)	-	-	-
26	07003-00238	'O'-RING	1	1	53	07005-00855	SKILLERUMSSAMLING	1	1	-
27	07001-00396	SKRUE	4	-	54	73200-02022	SIKKERHEDSMÆRKE	1	1	-

7. KLARGØRING

Klargøring er ALTID nødvendig, efter at værktøjet er blevet demonteret, og inden anvendelse. Det kan også være nødvendigt at vende tilbage til det fulde slag efter en længerevarende anvendelse, når slaget kan blive reduceret, eller nitter ikke placeres helt af ved betjening af udløseren.

7.1 OPLYSNINGER OM OLIE

Den anbefalede olie til klargøring er Hyspin® VG32 og AWS 32, der kan fås i beholdere med 0,5 l. (varenummer 07992-00002) eller én gallon (varenummer 07992-00006). Se sikkerhedsdata herunder.

7.2 SIKKERHEDSDATA FOR HYSPIN® VG32 OG AWS 32 OLIE

Førstehjælp

HUD:

Vask grundigt med sæbe og vand hurtigst muligt. Overfladisk kontakt kræver ingen umiddelbar opmærksomhed. Kortvarig kontakt kræver ingen umiddelbar opmærksomhed.

INDTAGELSE:

Søg lægehjælp med det samme. Fremkald IKKE opkast.

ØJNE:

Skyl øjeblikkeligt med vand i adskillige minutter. Selvom den IKKE er en primær irritationskilde, kan de opstå mindre irritation efter kontakt.

Brand

Egnede slukningsmidler: CO₂, tørpulver, skum eller vandtåge. Brug IKKE vandstråler.

Miljø

BORTSKAFFELSE AF AFFALD: Gennem autoriseret partner til en licenseret sted. Kan blive antændt. Brugt produkt kan blive sendt til reklamation.

SPILD: Undgå indtrængen i dræn, kloakker eller vandløb. Opsug med absorberende materiale.

Håndtering

Bær beskyttelsesbriller, uigennemtrængelige handsker (f.eks. PVC) og et plastikforklæde. Anvendes i et godt ventileret område.

Opbevaring

Ingen specielle foranstaltninger.

7.3 KLARGØRINGSPROCEDURE

VIGTIGT

BETJEN IKKE UDLØSEREN, MENS UDLUFTNINGSSKRUE ER FJERNET

Alle handlinger bør udføres på en ren bænk, med rene hænder på et rent område.

Sørg for, at den nye olie er helt ren og fri for luftbobler.

Du SKAL altid sørge for, at der ikke kan trænge fremmedlegemer ind i værktøjet, da der ellers kan opstå alvorlig personskade.

- Fjern skrue **2** og tætning **1** fra plastikdækplade **4** på forstærkerbeholderen.
- Hæld priming-olie i beholderen, indtil den er ca. 1/2" (12 mm) fra toppen.
- Udskift skrue **2** og tætning **1**.
- Tilslut forstærkerenheden til luftforsyningen. Fjern skruen fra beholderen.
- Mens pistolenheden 07536 er monteret på forstærkerenheden og holdes under forstærkerenhedens niveau, skal du løsne udluftningsskruen **64** fra udluftningspropsamlingen **43** på 07536 værktøjet to omdrejninger og lade olie strømme ud af værktøjet.
- Når olien strømmer frit ud og er fri for luftbobler, skal du spænde udluftningsskruen.
- Fyld beholderen på forstærkerenheden op med priming-olie.
- Sæt værktøjet i cyklus, indtil eventuelle luftbobler, der findes i olien, slipper ud i oliebeholderen.

Varenumre med **fed skrift** henviser til den generelle enheds- og reservedelsliste på side 212-215.

8. FEJLSØGNING

SYMPTOM	MULIG ÅRSAG	AFHJÆLPNING	SIDE REF.
Værktøjet vil ikke placere nitter	Lavt lufttryk.	Øg lufttryk	
	Mangel på smøring.	Smør værktøjet ved luftindgangspunkt	
	Høj rømmenålsbelastning.	Kontrollér nittegreb og applikationshulstørrelse	
	Kontrollér korrekt størrelse dorn.		
	Halekæber slået fra.	Tænd for halekæber	
	Luft i hydraulisk system.	Se 'Klargøringsprocedure'	217
'Dornfejl'-kæber griber ikke i dorn	Slidte eller beskidte halekæber.	Rengør eller forny efter behov	
	'Utilstrækkeligt lufttryk/volumen.	Øg lufttryk/volumen	
	'Kontakt til halekæber fungerer ikke.	Udskift kontakt	
	'Luft lækker til halekæber.	Forny 'O'-ringe på stempel 11	
	Dorn ødelagt og når ikke halekæber.	Udskift dorn	
	Fejl i pneumatisk kontrolboks.	Kontakt personalet hos Stanley Engineered Fastening	
Kæber frigiver ikke dorn	Beskidte halekæber eller kæbehus.	Rengør og smør	
	Fejlbehæftet halekæbekontakt.	Udskift 'O'-ringe	
	Signal om indespærret luft	Kontroller pneumatiske ledninger	
	Fejl i pneumatisk kontrolboks	Kontakt personalet hos Stanley Engineered Fastening	
Nitter indføres ikke gennem frontkæber	Halekæber ikke aktiveret.	Tænd for halekæber	
	Slidte halekæber.	Udskift halekæber	
	Markørretning forkert.	Genmonter, mens du sikrer korrekt retning	
	Ukorrekt markør	Montér korrekt markør	
	Forkerte frontkæber.	Montér korrekte frontkæber	
	Dornfølgefjeder ikke monteret.	Monter korrekt dornfølgefjeder	
	Længde af dornfølger	Monter korrekt dornfølger	
	Forkert mellemrum mellem nittehoved og frontkæber, når den er fyldt.	Stil mellemrum på 1,5 mm - 3 mm (1/16 - 1/8") Se 'Fyldning af værktøjet'	205-206
	Markør klæber.	Rengør og smør markør	
	slidt luftmarkør	Forny markør	
	Forkert dornfølgefjeder monteret.	Monter korrekt dornfølgefjeder	
	Slidt eller ødelagt løbreturfjeder	Udskift løbreturfjeder	
For højt slid af halekæbe	Høj rømmenålsbelastning.	Kontrollér applikationshulstørrelse og -tykkelse samt nittegrebve.	
Indførelse af mere end én nitte ad gangen	Dornfejl.	Udfør kontrol som ved 'Dornfejl', trin 2	
	Forkert mellemrum mellem nittehoved og frontkæber under belastning	Stil mellemrum på 1,5 mm - 3 mm (1/16 - 1/8") Se 'Fyldning af værktøjet' på side	205-206

Andre symptomer eller fejl bør rapporteres til din lokale autoriserede Stanley Engineered Fastening distributør eller reparationscenter.

BEMÆRKNINGER

9. EU-OVERENSSTEMMELSESERKLÆRING

Vi, **Stanley Engineered Fastening, Stanley House, Works Road, Letchworth Garden City, Hertfordshire, SG6 1JY STORBRITANNIEN**, erklærer under ansvar at produktet:

Beskrivelse: Hydro-pneumatisk værktøj til højhastighedsnitte med repetitionssystem

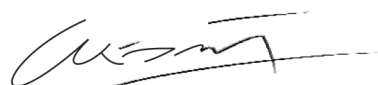
Model: 07536

hvertil erklæringen er knyttet, er i overensstemmelse med følgende harmoniserede standarder:

ISO 12100:2010	EN ISO 3744:2010
EN ISO 11202:2010	EN ISO 11148-1:2011
EN ISO 4413:2010	BS EN 28662-1:1993
EN ISO 4414:2010	EN ISO 20643:2008+A1:2012
EN ISO 28927-5:2009+A1:2015	ES100118-rev 17:2017

Teknisk dokumentation er udarbejdet i overensstemmelse med bilag VII, i henhold til følgende direktiv: **2006/42/EF Maskindirektivet** (Lovinstrumenter 2008 nr. 1597 - Forordninger om levering af maskiner (sikkerhed)).

Undertegnede erklærer på vegne af STANLEY Engineered Fastening



A. K. Seewraj

Director of Engineering, UK

Avdel UK Limited, Stanley House, Works Road, Letchworth Garden City, Hertfordshire, SG6 1JY STORBRITANNIEN

Udstedelsessted: Letchworth Garden City, UK

Udstedelsesdato: 01-01-2021

Undertegnede er ansvarlig for udarbejdelsen af den tekniske fil for produkter, der sælges i EU, og afgiver denne erklæring på vegne af Stanley Engineered Fastening.

Matthias Appel

Holdleder for teknisk dokumentation

Stanley Engineered Fastening, Tucker GmbH, Max-Eyth-Str.1, 35394 Gießen, Tyskland



Denne maskine er i overensstemmelse med
Maskindirektiv 2006/42/EF

10. UK OVERENSSTEMMELSESERKLÆRING

Vi, **Stanley Engineered Fastening, Stanley House, Works Road, Letchworth Garden City, Hertfordshire, SG6 1JY STORBRITANNIEN**, erklærer under ansvar at produktet:

Beskrivelse: Hydro-pneumatisk værktøj til højhastighedsnitter med repetitionssystem

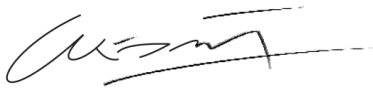
Model: 07536

hvortil erklæringen er knyttet, er i overensstemmelse med følgende designerede standarder:

ISO 12100:2010	EN ISO 3744:2010
EN ISO 11202:2010	EN ISO 11148-1:2011
EN ISO 4413:2010	BS EN 28662-1:1993
EN ISO 4414:2010	EN ISO 20643:2008+A1:2012
EN ISO 28927-5:2009+A1:2015	ES100118-rev 17:2017

Teknisk dokumentation er udarbejdet i overensstemmelse med Forordninger om levering af maskiner (sikkerhed) 2008, S.I. 2008/1597 (som ændret).

Undertegnede erklærer på vegne af STANLEY Engineered Fastening



A. K. Seewraj

Director of Engineering, UK

Avdel UK Limited, Stanley House, Works Road, Letchworth Garden City, Hertfordshire,
SG6 1JY STORBRITANNIEN

Udstedelsessted: Letchworth Garden City, UK

Udstedelsesdato: 01-01-2021



Denne maskine er i overensstemmelse med
Forordninger om levering af maskiner (sikkerhed) 2008,
S.I. 2008/1597 (som ændret)

11. BESKYT DIN INVESTERING!

Stanley® Engineered Fastening VÆRKTØJ TIL BLINDNITTER - GARANTI

STANLEY® Engineered Fastening garanterer, at alle elværktøjer er blevet omhyggeligt fremstillet, og at de vil være fri for materiale- og udførelsesfejl under normal brug og service i en periode på et (1) år.

Denne garanti gælder kun for førstegangskøberen af værktøjet til oprindelig brug.

Undtagelser:

Normal slitage.

Periodisk vedligeholdelse, reparation, reservedele som følge af normal slitage er undtaget fra dækning.

Forkert brug & misbrug.

Fejl eller skader, som skyldes forkert betjening, opbevaring, forkert brug eller misbrug, ulykke eller forsømmelse som f.eks. fysisk skade er udelukket fra dækning.

Uautoriseret service eller ændring.

Mangler eller skader som følge af service, testjustering, installation, vedligeholdelse, ombygning eller ændring på nogen måde af andre end STANLEY® Engineered Fastening eller dets autoriserede servicecentre, er udelukket fra dækning.

Alle andre garantier, enten udtrykt eller underforstået, herunder eventuelle garantier for salgbarhed eller egnethed til formålet udelukkes hermed.

Hvis dette værktøj ikke opfylder garantibetingelserne, skal du straks returnere værktøjet til vores fabriksautoriserede servicecenter, der befinder sig tættest på dig. Vedrørende en liste over STANLEY® Engineered Fastening autoriserede servicecentre i USA eller Canada, kan du kontakte os på vores gratis nummer (877)364 2781.

Besøg vores websted **www.StanleyEngineeredFastening.com** for at finde den nærmeste STANLEY Engineered Fastening filial udenfor USA og Canada.

STANLEY Engineered Fastening vil derefter gratis erstatte enhver del eller dele, som vi finder er defekte på grund af materiale- eller fabrikationsfejl og returnere værktøjet forudbetalt. Dette repræsenterer vores eneste forpligtelse under denne garanti.

STANLEY Engineered Fastening vil under ingen omstændigheder være ansvarlig for eventuelle følgeskader eller særlige skader, der følger af køb eller brug af dette værktøj.

Registrér dit blindnitteværktøj online.

Besøg os for at registrere din garanti online på <https://www.stanleyengineeredfastening.com/support/warranty-registration-form>

Tak fordi du har valgt et værktøj af mærket STANLEY® Engineered Fastening's Stanley Assembly Technologies.

©2021 Stanley Black & Decker inc.
Kaikki oikeudet pidätetään.

Tässä olevia tietoja ei saa jäljentää ja/tai julkistaa millään tavalla tai millään keinoilla (sähköisesti tai mekaanisesti) ilman STANLEY Engineered Fasteningin etukäteen hankittua kirjallista lupaa. Annetut tiedot perustuvat tuotteen julkaisuhetkellä tiedettyihin tietoihin. STANLEY Engineered Fastening pyrkii jatkuvaan tuotekehittelyyn ja tämän vuoksi tuotteita saatetaan muuttaa. Annetut tiedot soveltuvat tuotteeseen siinä muodossa, kuin STANLEY Engineered Fastening on sen toimittanut. Tämän vuoksi STANLEY Engineered Fasteningia ei voida pitää vastuussa mistään vahingoista, jotka aiheutuvat poikkeamista tuotteen alkuperäisistä teknisistä tiedoista.

Tiedot on laadittu äärimmäisen huolellisesti. STANLEY Engineered Fastening ei kuitenkaan ota vastuuta tietojen virheistä tai virheiden seurauksista. STANLEY Engineered Fastening ei hyväksy vastuuta kolmansien osapuolien suorittamien toimien aiheuttamista vaurioita. STANLEY Engineered Fasteningin käyttämiä alustavia nimiä, kauppanimiä, rekisteröityjä tavaramerkkejä jne. ei tule pitää ilmaisina tavaramerkkien suojan lainsäädännön mukaisesti.

1. TURVAMÄÄRITYKSET	224
1.1 YLEISET TURVALLISUUSOHJEET	224
1.2 SINKOAVIEN OSIEN VAARAT	224
1.3 KÄYTTÖVAARAT	225
1.4 TOISTUVIEN LIIKKEIDEN VAARAT	225
1.5 LISÄVARUSTEIDEN VAARAT	225
1.6 TYÖTILAN VAARAT	225
1.7 ÄÄNITASON VAARAT	225
1.8 TÄRINÄVAARAT	225
1.9 PNEUMAATTISTEN JA HYDRAULISTEN TYÖKALUJEN LISÄTURVALLISUUSOHJEET	226
2. MÄÄRITYKSET	227
2.1 07536-TYÖKALUN TEKNISET TIEDOT	227
2.2 07531-VAHVISTIMEN TEKNISET TIEDOT	227
3. KÄYTTÖTARKOITUS	228
3.1 TYÖKALUN MITAT - MALLI 07536	228
4. KÄYTTÖÖNOTTO	229
4.1 ILMANSYÖTTÖ.....	229
4.2 ILMANOHJAIMET.....	230
4.3 TYÖKALUN LATAUS JA UDELLEENLATAUS	230
4.4 KÄYTTÖ	232
5. TYÖKALUN HUOLTO	233
5.1 PNEUMAATTINEN OHJAUSRASIA	233
5.2 PÄIVITTÄIN	233
5.3 VIIKOITTAIN	233
5.4 MOLYLITHIUM-RASVA EP 3753 TURVALLISUUSTIEDOT	233
5.5 HUOLTOSARJA	234
5.6 ILMANOHJAIN, VAHVISTIN JA OHJAUSRASIAKOKOONPANO 07536-02100	235
6. HUOLTO	236
6.1 MALLIN 07536-02200 PURKAMINEN.....	236
6.2 PERUSTYÖKALUN LAITEKAAVIO 07536-02200.....	238
6.3 PERUSTYÖKALUN OSALUETTELO 07536-02200	239
6.4 PURKUOHJEET.....	240
6.5 YMPÄRISTÖNSUOJELU	241
6.6 VAHVISTIN 07531-02200	241
7. ALKUTÄYTTÖ.....	243
7.1 ÖLJYN TIEDOT	243
7.2 HYPIN® VG32 JA AWS 32 -ÖLJYN TURVALLISUUSTIEDOT	243
7.3 ALKUTÄYTÖN OHJEET.....	243
8. VIANMÄÄRITYS	244
9. EY-VAATIMUSTENMUKAISUUSVAKUUTUS.....	246
10. ISON-BRITANNIAN VAATIMUSTENMUKAISUUSVAKUUTUS	247
11. TURVAA SIOITUKSESI!.....	248



Kaikkien tätä työkalua asentavien tai käyttävien henkilöiden tulee lukea tämä käyttöohje ja kiinnittää erityistä huomiota seuraaviin turvasääntöihin.



Käytä aina iskuilta suojaavia suojalaseja työkalun käyttämisen aikana. Vaadittu suojaustaso tulee arvioida kunkin käyttökerran yhteydessä.



Käytä kuulonsuojaimia työnantajan ohjeiden mukaisesti noudattaen työterveyteen- ja turvallisuuteen liittyviä määräyksiä.



Työkalun käyttämisen aikana käyttäjän kädet voivat altistua murskautumis-, isku-, leikkautumis-, hankautumis- ja lämpövaaroille. Suojaa kädet asianmukaisilla suojakäsineillä.

1. TURVAMÄÄRITYKSET

Alla näkyvät selitykset liittyvät turvallisuuteen. Lue käyttöohje ja kiinnitä huomiota näihin symboleihin.

⚠ VAARA: Osoittaa välittömästi vaarallisen tilanteen. Jos tilannetta ei vältetä, se aiheuttaa hengen- tai vakavan vaaran.

⚠ VAROITUS: Osoittaa mahdollisesti vaarallisen tilanteen. Jos tilannetta ei vältetä, se saattaa aiheuttaa hengen- tai vakavan vaaran.

⚠ HUOMIO: Ilmoittaa mahdollisesta vaarasta, joka voi johtaa lievään tai kohtalaisen vakavaan vammautumiseen, mikäli sitä ei vältetä.

⚠ HUOMIO: Käytettynä ilman turvallisuuden hälytyskuvaketta osoittaa mahdollisesti vaarallisen tilanteen. Jos tilannetta ei vältetä, se saattaa aiheuttaa omaisuusvahingon.

Tuotteen virheellinen käyttö tai ylläpito saattaa aiheuttaa vakavan loukkaantumisen ja omaisuusvahingon. Sinun tulee lukea ja ymmärtää kaikki varoitukset ja käyttöohjeet ennen laitteiston käyttöä. Sähkötyökaluja käyttäessä tulee noudattaa aina perusvaroitomia henkilövahinkovaaran välttämiseksi.

SÄILYTÄ KAIKKI VAROITUKSET JA OHJEET MYÖHEMPÄÄ KÄYTTÖÄ VARTEN

1.1 YLEISET TURVALLISUUSOHJEET

- Vaarojen välttämiseksi turvallisuusohjeet tulee lukea ja ymmärtää ennen työkalun asentamista, käyttämistä, korjaamista, huoltamista tai lisävarusteiden vaihtamista tai työkalun lähellä työskentelemistä. Muutoin seurauksena voi olla vakava henkilövahinko.
- Ainoastaan pätevät ja koulutetut käyttäjät saavat asentaa tämän työkalun tai säätää ja käyttää sitä.
- ÄLÄ käytä muuhun käyttötarkoitukseen kuin STANLEY Engineered Fastening -sokkoniittien kiinnittämiseen.
- Käytä vain valmistajan suosittelemia osia, kiinnikkeitä ja lisävarusteita.
- ÄLÄ tee työkaluun muutoksia. Muutokset heikentävät turvaominaisuuksien tehokkuutta ja lisäävät käyttäjän riskejä. Kaikki asiakkaan työkaluun tekemät muutokset ovat täysin asiakkaan omalla vastuulla ja ne mitätöivät kaikki sovellettavat takuut.
- Älä hävitä turvallisuusohjeita, ne tulee antaa käyttäjälle.
- Älä käytä työkalua, jos se on vaurioitunut.
- Tarkista ennen käyttöä liikkuvat osat, niiden kiinnitys, osien eheys ja muut toimintaan vaikuttavat tekijät. Jos havaitset vaurioita, korjauta työkalu ennen sen käyttämistä. Poista jokoavain tai kiintoavain ennen käyttöä.
- Työkalut tulee tarkistaa säännöllisesti työkaluun merkittyjen ISO 11148 -vaatimusten mukaisten arvojen ja merkintöjen hyvän luettavuuden varmistamiseksi. Työnantajan/käyttäjän tulee ottaa yhteyttä valmistajaan, jos uusia merkkejä tarvitaan.
- Koulutetun henkilöstön täytyy aina ylläpitää työkalu turvallisessa työtilassa, ja se tulee tarkistaa säännöllisin väliajoin vaurioiden ja toiminnan osalta. Vain koulutettu henkilöstö saa purkaa laitteen. Älä pura työkalua ilman, että tutustut ylläpito-ohjeisiin.

1.2 SINKOAVIEN OSIEN VAARAT

- Irrota työkalu ilmansyötöstä ennen kuin teet ylläpitoitöitä, yrität säätää, asettaa tai irrottaa kärkikokoonpanoa tai lisävarusteita.
- Huomaa, että työstökappaleista tai lisävarusteista, tai jopa itse työkalusta voi singota osia suurilla nopeuksilla.
- Käytä aina iskuilta suojaavia suojalaseja työkalun käyttämisen aikana. Vaadittu suojaustaso tulee arvioida kunkin käyttökerran yhteydessä.
- Arvioi tällöin myös sivullisille aiheutuvat vaarat.
- Varmista, että työstökappale on kiinnitetty hyvin.
- Tarkista, että kiinnittimien ja/tai karan suojat ovat paikoillaan ja hyväkuntoisia.
- Varoita karojen mahdollisesta sinkoutumisvaarasta työkalun etuosassa.
- ÄLÄ käytä työkalua, kun se on suunnattu ihmisiin päin.

1.3 KÄYTTÖVAARAT

- Työkalun käyttämisen aikana käyttäjän kädet voivat altistua murskautumis-, isku-, leikkautumis-, hankautumis- ja lämpövaaroille. Suojaa kädet asianmukaisilla suojakäsineillä.
- Käyttö- ja huoltohenkilöstön tulee pystyä fyysisesti käsittelemään työkalun kokoa, painoa ja tehoa.
- Työkalun käyttöasennon tulee olla asianmukainen; valmistaudu vastaamaan normaaleihin tai äkkinäisiin liikkeisiin ja käytä työkalua molemmilla käsillä.
- Pidä työkalun kahvat kuivina, puhtaina sekä puhtaina öljystä ja rasvasta.
- Säilytä hyvä tasapaino ja jalansija työkalua käyttäessä.
- Vapauta käynnistys- ja pysäytyslaite hydraulisen syötön keskeytymisen varalta.
- Käytä ainoastaan valmistajan suosittelemia voiteluaineita.
- Vältä kontaktia hydrauliseen nesteeseen. Jos kuitenkin niin käy, pese kontaktialue huolellisesti ihottumien välttämiseksi.
- Hydraulioiljyjen ja voiteluaineiden terveydelle vaarallisten aineiden käyttöturvallisuustiedotteet ovat saatavilla pyynnöstä työkalun toimittajalta.
- Vältä sopimattomia asentoja, sillä ne eivät mahdollista vastaamista normaaleihin tai äkkinäisiin työkalun liikkeisiin vastaaminen.
- Jos työkalu on kiinnitetty kannatusjärjestelmään, varmista sen hyvä kiinnitys.
- Varo murskautumis- tai puristumisvaaraa, jos kärkilaitteistoa ei ole asennettu.
- ÄLÄ käytä työkalua, jos kärjen kotelo on irrotettu.
- Työkalun käyttäjän kädet tulee pitää riittävän etäällä ennen jatkamista.
- Kun kannat työkalua paikasta toiseen, pidä kätesi poissa liipaisimelta, jotta vältät työkalun tahattoman käynnistymisen.
- ÄLÄ käytä työkalua väärin pudottamalla se tai käyttämällä sitä vasarana.
- Varo, etteivät kuluneet karat aiheuta vaaratilanteita.

1.4 TOISTUVIEN LIIKKEIDEN VAARAT

- Työkalun käyttämisen aikana käyttäjällä voi ilmetä epämiellyttävää tunnetta käsissä, käsivarsissa, olkapäissä, kaulassa tai muissa kehonosissa.
- Työkalun käyttämisen aikana tulee varmistaa miellyttävä asento ja hyvä jalansija. Vältä hankalia tai epätasapainoisia asentoja. Käyttäjän tulee vaihtaa asentoa pitkäaikaisten työtoimenpiteiden aikana; tämä auttaa vähentämään epämukavuutta ja väsymystä.
- Jos käyttäjällä ilmenee oireita, kuten jatkuvaa tai toistuvaa epämukavuutta, kipua, sykähtelyä, särkyä, pistelyä, tunnottomuutta, polttavaa tunnetta tai jäykkyyttä, niitä ei saa jättää huomioimatta. Käyttäjän tulee kertoa niistä työnantajalle ja asiantuntevalle terveydenalan ammattilaiselle.

1.5 LISÄVARUSTEIDEN VAARAT

- Irrota työkalu ilmansyötöstä ennen kärkikokoonpanon tai lisävarusteen asentamista tai irrottamista.
- Käytä ainoastaan kooltaan ja malliltaan työkalun valmistajan suosittelemia lisävarusteita ja tarvikkeita; älä käytä määritetyistä mitoista tai malleista poikkeavia lisävarusteita ja tarvikkeita.

1.6 TYÖTILAN VAARAT

- Liukastumiset, kaatumiset ja putoamiset aiheuttavat eniten työtapaturmia. Varo liukkaita alustoja työkalun käytön aikana sekä ilma- tai hydraulisen letkun aiheuttamaa kompastumisvaaraa.
- Noudata varovaisuutta tuntemattomissa ympäristöissä. Olemassa voi olla piileviä vaaroja, kuten sähköjohtoja tai muita johtoja/putkia.
- Työkalua ei saa käyttää räjähdysalttiissa ympäristöissä eikä sitä ole eristetty sähkövirralta.
- Varmista, ettei ympäristössä ole sähköjohtoja, kaasuputkia, jne., jotka voivat aiheuttaa vaaroja työkalun vahingoittaessa niitä.
- Pukeudu asianmukaisesti. Älä käytä löysiä vaatteita tai koruja. Pidä hiukset, vaatteet ja kädet loitolla liikkuvista osista. Löysät vaatteet, korut tai pitkät hiukset voivat tarttua liikkuviin osiin.
- Varo, etteivät kuluneet karat aiheuta vaaratilanteita.

1.7 ÄÄNITASON VAARAT

- Suurille äänitasoille altistuminen voi aiheuttaa pysyviä ja vakavia kuulovaurioita ja muita ongelmia, kuten tinnitusta (soimista, vinkumista, kohinaa korvissa). Näiden vaarojen riskinarviointi ja asianmukaiset hallintatoimet ovat täten oleellisen tärkeitä.
- Riskiä vähentävät asianmukaiset hallintatoimet sisältävät muun muassa työstökappaleiden "soimista" ehkäisevät vaimennusmateriaalit.
- Käytä kuulonsuojaimia työnantajan ohjeiden mukaisesti noudattaen työterveyteen- ja turvallisuuteen liittyviä määräyksiä.
- Työkalua tulee käyttää ja ylläpitää ohjekirjan suositusten mukaisesti äänitason turhan nousemisen välttämiseksi.

1.8 TÄRINÄVAARAT

- Tärinälle altistuminen voi aiheuttaa vakavia vammoja käsien ja käsivarsien hermostoon ja verenkiertoon.
- Käytä lämmintä vaatetusta kylmissä käyttöolosuhteissa ja pidä kädet lämpiminä ja kuivina.

- Jos sormissa tai käsissä ilmenee tunnottomuutta, pistelyä, kipua tai ihonvärin vaalentumista, lopeta työkalun käyttö ja kerro asiasta työnantajalle ja lääkärille.
- Kun mahdollista, tue työkalun painoa telineellä, kiristimellä tai tasapainottimella kevyemmän otteen mahdollistamiseksi.

1.9 PNEUMAATTISTEN JA HYDRAULISTEN SÄHKÖTYÖKALUJEN LISÄTURVALLISUUSOHJEET

- Tuloilman paine ei saa ylittää 7 baaria (100 PSI).
- Ilmanpaine voi aiheuttaa vakavia henkilövahinkoja.
- Älä koskaan jätä toimivaa työkalua valvomatta. Irrota ilmaletku, kun työkalua ei käytetä, ennen lisävarusteiden vaihtamista tai työkalun korjaamisen yhteydessä.
- ÄLÄ anna karan kokoojassa olevan ilmanpoistoaukon suuntautua käyttäjään tai muihin henkilöihin. Älä koskaan suuntaa ilmaa itseäsi tai muita kohti.
- Vapaasti liikkuvat ja iskeytyvät letkut voivat aiheuttaa vakavia henkilövahinkoja. Tarkista aina letkujen ja kiinnitysosien ehjyys sekä kireys.
- Tarkista ilmaletkut ennen käyttöä vaurioiden varalta. Kaikkien liitäntöjen tulee olla tiiviit. Älä pudota painavia esineitä letkujen päälle. Terävä isku voi aiheuttaa sisäisiä vaurioita ja johtaa letkun ennen aikaiseen vahingoittumiseen.
- Kylmä ilma tulee suunnata käsistä pois päin.
- Kun käytetään yleismallisia kierrelähtimiä (liitoskappaleet), lukitustapit tulee asentaa ja turvakaapeleita tulee käyttää mahdollisten letkun ja työkalun sekä letkujen välisten liitäntävikojen välttämiseksi.
- ÄLÄ nosta asetustyökalua letkusta. Käytä aina asetustyökalun kahvaa.
- Ilma-aukkoja ei saa tukkia tai peittää.
- Pidä lika ja vieraat esineet poissa työkalun hydraulijärjestelmästä, koska ne voivat aiheuttaa työkalun toimintahäiriön.
- Paineenalainen öljy voi aiheuttaa vakavia henkilövahinkoja.
- Tarkista hydrauliset letkut vaurioiden varalta ennen käyttöä. Kaikkien hydraulisten liitäntöjen tulee olla puhtaita, hyvin kytkettyjä ja kireällä ennen käyttöä. Älä pudota painavia esineitä letkujen päälle. Terävä isku voi aiheuttaa sisäisiä vaurioita ja johtaa letkun ennen aikaiseen vahingoittumiseen.
- ÄLÄ vedä tai siirrä vahvistusyksikköä letkuista. Käytä aina yksikön kahvaa.
- Käytä ainoastaan puhdasta öljyä ja täyttölaitteistoja.
- Käytä ainoastaan suositeltuja hydraulineiteitä.
- Hydraulinesteen maksimilämpötila sisääntulossa on 100 °C (212 °F).

VAROITUS: Vaikka karojen normaali ja oikeaoppinen käyttö aiheuttaa hiukan kulumista ja jälkiä, karat tulee tarkistaa säännöllisesti liiallisen kulumisen ja liiallisten jälkien varalta. Erityistä huomiota on tällöin kiinnitettävä pään halkaisijaan, varren takaleukojen kiinnitysalueeseen tai varren voimakkaaseen pistekorroosioon sekä karan mahdollisiin vääntymiin. Käytön aikana esiintyvät karan toimintahäiriöt voivat aiheuttaa työkalun poistumisen. Asiakkaan vastuulla on varmistaa karojen vaihto ennen niiden liiallista kulumista ja aina ennen suositeltua kiinnityksien maksimimäärää. Pyydä lisätietoa kyseisestä määrästä paikalliselta STANLEY Engineered Fasteningin edustajalta, joka voi mitata käyttökohteen kuormituksen kalibroidulla mittauslaitteellamme.

STANLEY Engineered Fastening pyrkii jatkuvasti kehittämään ja parantamaan tuotteitaan, pidätämme oikeuden tuotteen teknisten tietojen muutoksiin ilman erillistä ilmoitusta.

2. MÄÄRITYKSET

2.1 07536-TYÖKALUN TEKNISET TIEDOT

Ilmanpaine	Vähintään - Enintään	5-7 bar (70 -100 lbf/in ²)
Vaadittu vapaa ilman tilavuus	@ 5,1 bar /75 lbf/in ²	2,6 litraa (0,09 ft ³)
Isku	Vähintään	25 mm (1 tuumaa)
Vetovoima	@ 5,5 bar /80 lbf/in ²	3,89 kN (875 lbf)
Jakson kesto	Likimäärin	1 sekunti
Paino	Pistooli	1,2 kg (2,64 lb)

2.2 07531-VAHVISTIMEN TEKNISET TIEDOT

Ilmanpaine	Vähintään - Enintään	5-7 bar (70 -100 lbf/in ²)
Vahvistussuhde		32:1

Äänitasot määritetty äänitason testistandardin ISO 15744 ja ISO 3744 mukaisesti.		07536
A-painotettu äänitehotaso dB(A), L _{WA}	Melun epävarmuus: k _{WA} = 2,3 dB(A)	79,5 dB(A)
A-painotettu äänenpainetaso työasemassa dB(A), L _{PA}	Melun epävarmuus: k _{PA} = 2,3 dB(A)	68,5 dB(A)
C-painotettu äänenpainetaso huippuarvo dB(C), L _{PC'} huippu	Melun epävarmuus: k _{PC} = 2,5 dB(C)	96,9 dB(C)
Tärinätaso määritetty tärinätason testistandardin ISO 20643 ja ISO 5349 mukaisesti.		07536
Tärinätaso, a _{hd} :	Tärinän epävarmuus: k = 0,25 m/s ²	0,97 m/s ²
Ilmoitetut tärinäarvot standardin EN 12096 mukaisesti		

3. KÄYTTÖTARKOITUS

07536-Paineilmatyökalu on kevyt käsivarainen työkalu, joka on tarkoitettu kiinnittämään 1/16" Avlug® -kiinnikkeitä, minkä ansiosta se sopii erinomaisesti asennuslinjojen sarjakiinnityksiin eri teollisuudenaloilla.

Käsityökalu ja vahvistin on testattu erikseen ja yhdessä. Niitä saa käyttää vain yhdessä, niitä ei saa käyttää muihin tarkoituksiin. Katso lisätietoa liitännöistä kohdasta "Käyttöönotto" sivulta 229-232.

Osanumerot näkyvät koko työkalun tilaamista varten, mutta ei kärkilaitteistoa.

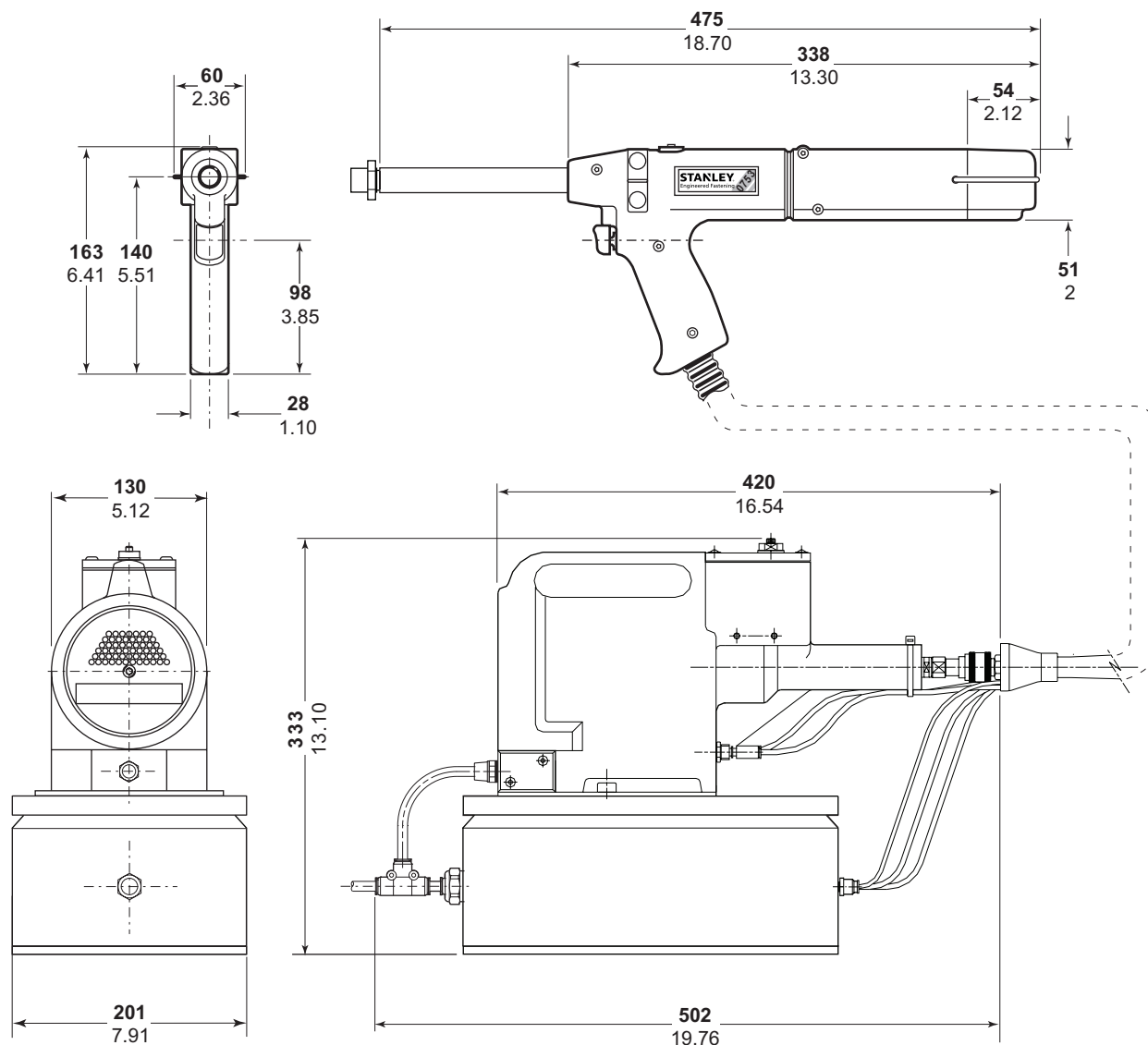
Työkalun osanumero 07536-mallissa on 07536-02200.

Katso laitekaavio sivuilta 235-242.

ÄLÄ käytä kosteissa olosuhteissa tai jos laitteen lähellä on syttyviä nesteitä tai kaasuja.

3.1 TYÖKALUN MITAT - MALLI 07536

Osanumero 07536-02100



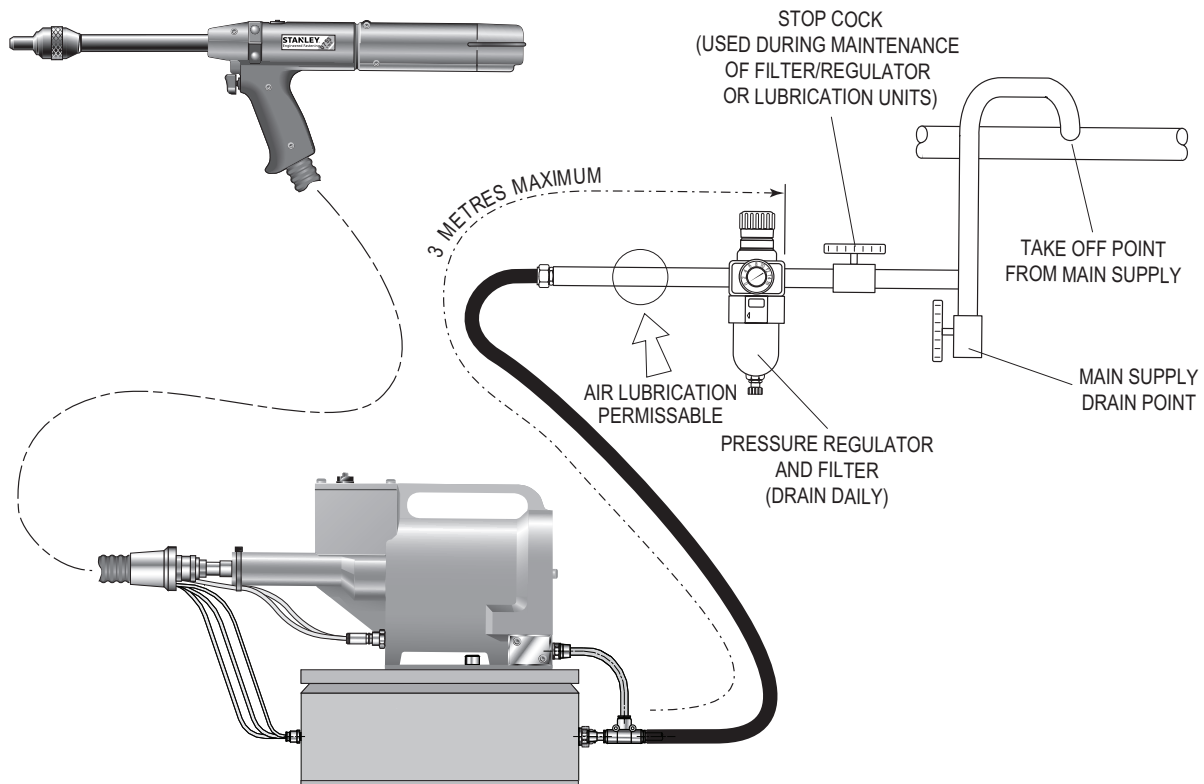
Mitat millimetreinä.

4. KÄYTTÖÖNOTTO

4.1 ILMANSYÖTTÖ

Kaikki työkalut toimivat paineilmaalla optimaalisessa 5,5 baarin paineessa. Suosittelemme paineilmasäätimien ja automaattisten voitelu-/suodatusjärjestelmien käyttöä pääilmansyötössä. Työkalun maksimaalisen käyttöiän ja minimaalisen huoltotarpeen varmistamiseksi se tulee asentaa enintään 3 metrin etäisyydelle työkalusta (katso alla oleva kaavio).

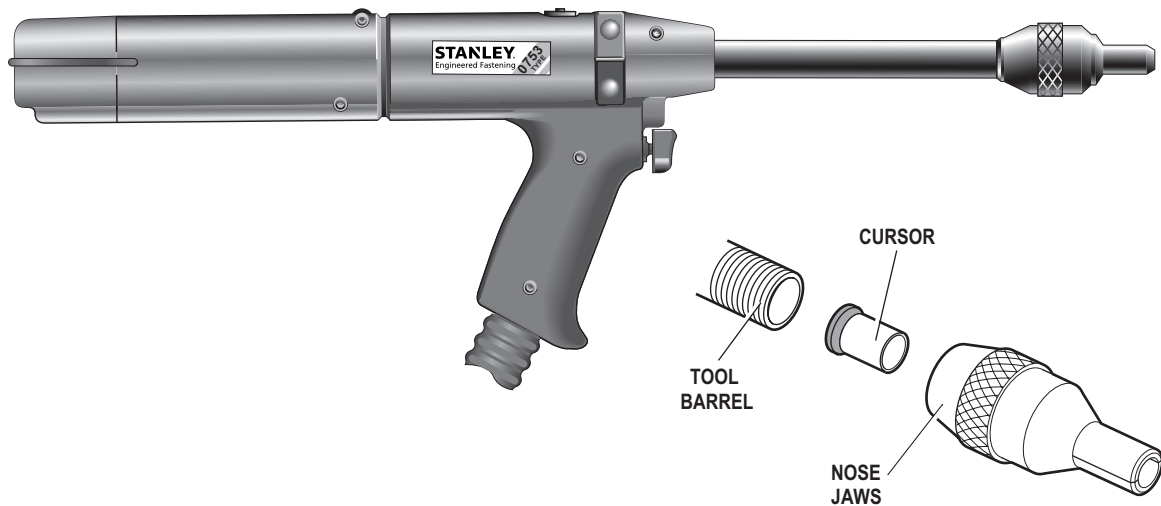
Ilmansyöttöletkujen tehollinen käyttöpaineen vähimmäisraja on 150 % järjestelmän tuottamasta enimmäispaineesta tai 10 baaria riippuen siitä, kumpi on korkeampi. Ilmaletkujen täytyy olla öljynkestävät, niiden ulkopinnan tulee olla hankauksenkestävä ja niissä tulee olla suojalaippa, jos käyttöolosuhteet voivat vahingoittaa letkua. Kaikkien ilmansyöttöletkujen sisäläpimitan TÄYTYY olla vähintään 6,4 tai 1/4 tuumaa.



Noudata seuraavia ohjeita, kun liität työkalun vahvistimeen ja pääilmansyöttöön:

- Työnnä suuren hydrauliletkun pää työkalusta vahvistimen päässä olevaan pikaliittimeen.
- Vahvistimen etupuolessa (katso sivu 235):
 - Paina sininen paineilmaputki (4 mm ulkohalk.) supistusliittimeen, joka sijaitsee vasemmanpuoleisessa väliseinän liittimessä.
 - Paina musta paineilmaputki (4 mm ulkohalk.) muoviholkkiin, joka sijaitsee oikeanpuoleisessa väliseinän liittimessä.
- Ohjausrasian etupuolessa (katso sivu 235):
 - Työnnä hopea paineilmaputki (3 mm ulkohalk.) ohjausrasian etupuolessa vasemmalla olevaan supistusliittimeen, jossa on merkintä "Ohjain".
 - Työnnä vihreä paineilmaputki (4 mm ulkohalk.) ohjausrasian etupuolessa keskellä olevaan supistusliittimeen, jossa on merkintä "Takaleuat".
 - Työnnä valkoinen paineilmaputki (4 mm ulkohalk.) ohjausrasian etupuolessa oikealla olevaan supistusliittimeen, jossa on merkintä "Signaali".
- Asenna paineilmaletku vahvistimen takana olevan urosliittimen ja pääilmansyötön väliin.

4.2 ILMANOIJAIMET



Ilmanohjaimen valitseminen

Katso kärkilaitteiston osat erillisestä tietolomakkeesta 07900-00863.

OHJAIN

TÄRKEÄÄ

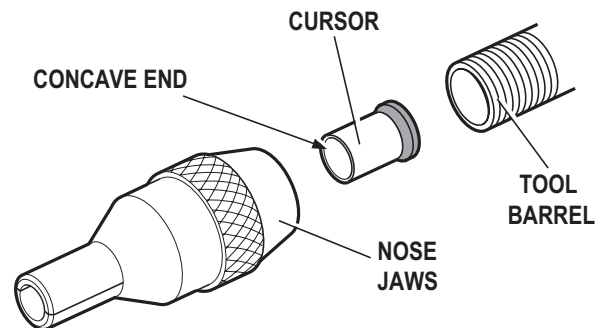
Jos ohjain on asennettu virheellisesti, työkalua ei voida ladata ja kiinnittimiä ei voi syöttää.

Vaikka ohjain on asennettu oikein toimitetussa työkalussa, suosittelemme tarkistamaan sen suunnan ennen kärkilaitteiden asentamista. Ohjaimen hiukan koveran pään tulee osoittaa työkalun etuosaa kohti kuvan mukaisesti.

Ohjaimen suuntaa voi muuttaa seuraavasti:

Noudata äärimmäistä varovaisuutta seuraavaa toimenpidettä suorittaessa. Vältä putkea ja ulkonevaa tuurnaa huolella.

- Poista mahdollinen kärkilaitteisto.
- Työnnä tyhjä kara kokonaan työkaluun.
- Sulje takaleuat **32** kytkemällä takaleuan kytkin päälle (osat **18** ja **19**).
- Ohjain tulee ulos putkesta pienen viiveen jälkeen.
- Avaa takaleuat **32** kytkemällä takaleuan kytkin pois päältä (osat **18** ja **19**), jolloin kara vapautuu.
- Poista ohjain karasta ja aseta ohjain putkeen.



4.3 TYÖKALUN LATAUS JA UUELLENLATAUS

TÄRKEÄÄ

Työkalun lataus- ja kärkilaitteiston asennustoimenpiteet ovat yhtenäiset.

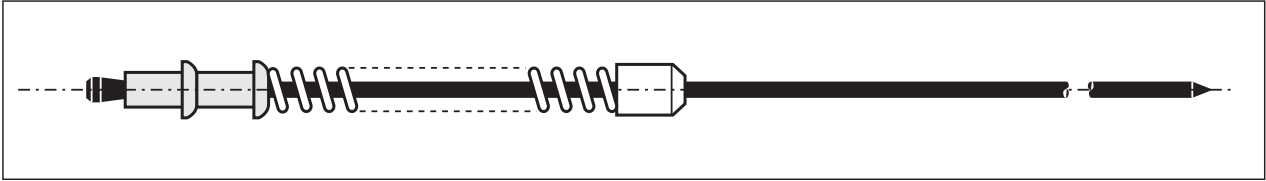
Kun tilaat täydellisen työkalun tai järjestelmän, sinulle toimitetaan yleensä kaikki kiinnikkeen asettamiseen tarvittavat kärkilaitteet.

Jos sinulle on toimitettu kärkileuat, karat ja karan takajouset, lataa työkalu ja asenna kärkilaite alla osoitetulla tavalla.

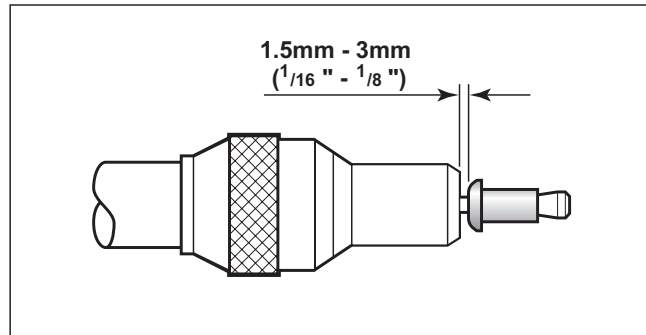
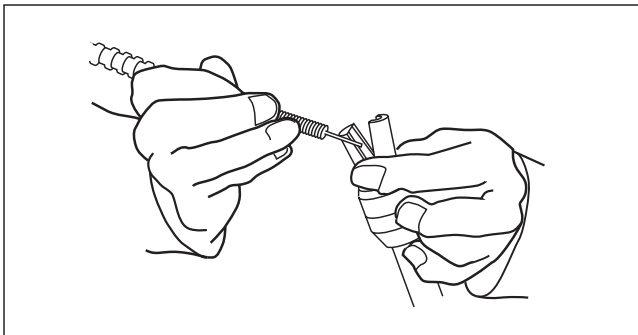
Lihavoidut osanumerot viittaavat 07536-02200-mallin laitekaavioon ja osaluetteloon (sivut 238-239).

Työkalun lataaminen

- Liitä ilmansyöttö työkaluun.
- Avaa takaleuat **32**, jotka ovat kiinni karassa, kytkemällä takaleuan kytkin pois (osat **18** ja **19**).
- Ruuvaa valitut kärkileuat työkalun putkeen **44**.
- * Aseta kara kiinnittimien takapäähän paperialustan läpi.
- Liu'uta karan takajousi karaan varmistaen sen oikean suunnan.



- Tartu karan takapäähän ja repäise paperialusta pois kiinnittimien ympäriltä.
- Avaa kärkileuat joko kiertämällä nokkatoimisten leukojen ulkoista rengasta tai painamalla leukojen päitä ulospäin vasemmalla alhaalla olevan kuvan mukaisesti.
- Asenna aikaisemmin koottu kara, karan takajousi ja kiinnittimet kärkileukoihin, kunnes ensimmäinen asennettava kiinnike tulee ulos kärkileuoista.
- Sulje kärkileuat ja säädä niin, että ensimmäinen kiinnike tulee ulos 1,5 mm - 3 mm ($1/16''$ - $1/8''$) verran oikealla alla olevan kuvan mukaisesti.
- Sulje takaleuat **32** varmistaen, että ne kiinnittyvät karaan, kytkemällä takaleuan kytkin päälle (osat **18** ja **19**).



Kiinnittimien lisääminen työkaluun

- Avaa työkalun takaleuat **32** kytkemällä takaleuan kytkin pois (osat **18** ja **19**).
- Avaa kärkileuat ja vedä tyhjä kara ja karan takajousi ulos työkalusta.
- Lataa työkalu uudelleen noudattamalla yllä annettuja ohjeita ja aloittaen vaiheesta •*.

Työkalun asetukset - Koskee vain säädettäviä kärkilaitteistoja

Aseta aiemmin koottu kara (katso Työkalun lataaminen •*) tai kertakäyttöinen kara takaleuan mäntäkokoospanossa **60** olevaa pysäytintä vasten.

Pida kiinni karasta ja sulje takaleuat **32**, jotka ovat kiinni karassa, kytkemällä takaleuan kytkin päälle (**18** ja **19**).

Ruuvaa lukitusmutteri työkalun putkeen **44**.

Kierrä kärkilaitteisto putkeen **44**.

Säädä kärkilaitteistoa niin, että ensimmäinen kiinnike tulee ulos 1,5–3 mm ($1/16''$ - $1/8''$) verran sivun 231 kuvan mukaisesti.

Kiristä lukitusmutteri kärkilaitteistoa vasten estääksesi kärkileukakokoospanon liikkumisen.

Lihavoidut osanumerot viittaavat 07536-02200-mallin laitekaavioon ja osaluetteloon (sivut 238-239).

Kiinnittimien lisääminen työkaluun

Avaa työkalun takaleuat kytkemällä takaleukojen kytkin pois päältä (**18-19**).

Avaa leuat ja vedä tyhjä kara ja takajousi ulos työkalusta.

Aseta uusi kara työkalun pysäytintä vasten ja sulje takaleuat **32**, jotka ovat kiinni karassa, kytkemällä takaleuan kytkin päälle (**18 ja 19**).

Sulje takaleuat **32**.

4.4 KÄYTTÖ

TÄRKEÄÄ

Sinun on tarkistettava, että ohjaimen suunta ja kärkilaite ovat oikein, ennen kuin yrität käyttää työkalua.

- Työnnä kärkileuasta ulkoneva kiinnike kokonaan levitysreikiin varmistaen, että työkalu pidetään suorassa.
- Käytä liipaisinta vapauttamatta - karanpää vedetään kiinnikkeen läpi niin, että kiinnike muodostuu sovellukseen.
- Poista työkalu.
- Vapauta liipaisin. Seuraava kiinnike tulee automaattisesti näkyviin kärkileukojen läpi, valmiina kiinnitettäväksi.

5. TYÖKALUN HUOLTO

Säännöllinen huolto ja kattava tarkastus tulee suorittaa vuosittain tai joka 500 000 syklin jälkeen, sen mukaan kumpi tapahtuu aikaisemmin.

TÄRKEÄÄ

Työnantajan vastuulla on varmistaa, että huoltohenkilöstö saa työkalun huolto-ohjeet. Käyttäjä ei saa osallistua työkalun huoltoon tai korjaamiseen, ellei käyttäjä ole saanut asianmukaista koulutusta.

5.1 PNEUMAATTINEN OHJAUSRASIA

TÄRKEÄÄ

Pneumaattista rasiaa ei saa missään tapauksessa avata. Rasia on suljettu pysyvästi. Sisäiset säädöt on tehty valmiiksi, eikä niitä saa muuttaa tai peukaloida. Vain valtuutettu STANLEY Engineered Fasteningin henkilöstö saa purkaa tämän ohjausrasian.

▲ HUOMIO: Työkalun metallittomien osien puhdistamiseen ei saa käyttää liuottimia tai muita vahvoja kemikaaleja. Nämä kemikaalit voivat heikentää näiden osien valmistuksessa käytettyjä materiaaleja.

5.2 PÄIVITTÄIN

- Päivittäin, ennen työkalun ensimmäistä käyttöä tai työkalun käyttöönoton yhteydessä. Kaada muutama tippa puhdasta voiteluöljyä vahvistimen ilmanottoaukkoon, jos mitään voiteluainetta ei lisätä ilmansyötössä. Jos työkalu on jatkuvassa käytössä, ilmaletku tulee irrottaa pääilmansyötöstä ja työkalu voidella kahden tai kolmen tunnin välein.
- Tarkista mahdolliset ilma- ja öljyvuodot. Vaurioituneet letkut ja liitännät tulee vaihtaa.
- Jos paineensäätimessä ei ole suodatinta, puhdista ilmaletku kerääntyneestä liasta tai vedestä ilmaamalla se, ennen kuin liität ilmaletkun vahvistimeen. Jos suodatin on paikoillaan, tyhjennä se.
- Tarkista, että laitteeseen on asennettu oikea kärkilaitteisto.
- Tarkista karat säännöllisesti kulumisen tai vaurioiden varalta seuraten kiinnitysten määrää (lue turvallisuusohjeet sivulta 224-226).

5.3 VIIKOITTAIN

- Suorita kaikki "Päivittäin"-osion toimenpiteet yllä annettuja ohjeita noudattaen.
- Irrota, tarkista, puhdista ja rasvaa takaleuat (katso "Takaleuan sylinteri" "Huolto-osiossa" sivulla 236).
- Tarkista, että öljyntaso vahvistinyksikön säiliössä on noin 12 mm (1/2") läpinäkyvän suojalevyn alapuolella.

5.4 MOLYLITHIUM-RASVA EP 3753 TURVALLISUUSTIEDOT

Rasva voidaan tilata yksittäisenä tuotteena, osanumerot löytyvät sivun 234 huoltosarjasta.

Ensiapu

IHO:

Koska rasva on täysin vedenkestävää, se voidaan poistaa parhaiten hyväksytyllä emulgoivalla ihonpuhdistusaineella.

NIELEMINEN:

Varmista, että henkilö juo 30 ml magnesiumamaitoa, mieluiten lasillisena maitoa.

SILMÄT:

Ärsyttävää, mutta ei haitallista. Huuhtelee vedellä ja ota yhteyttä lääkäriin.

Tulipalo

LEIMAHDUSPISTE: Yli 220 °C.

Ei luokiteltu syttyväksi.

Sopiva sammutusväline: CO₂, halon- tai vesisuihke kokeneen käyttäjän toimesta.

Ympäristö

Kaavi polttamista tai hyväksyttävää hävittämistä varten.

Käsittely

Käytä suojavoidetta tai öljynkestäviä suojakäsineitä.

Säilytys

Kaukana lämpölähteestä ja hapettavasta aineesta.

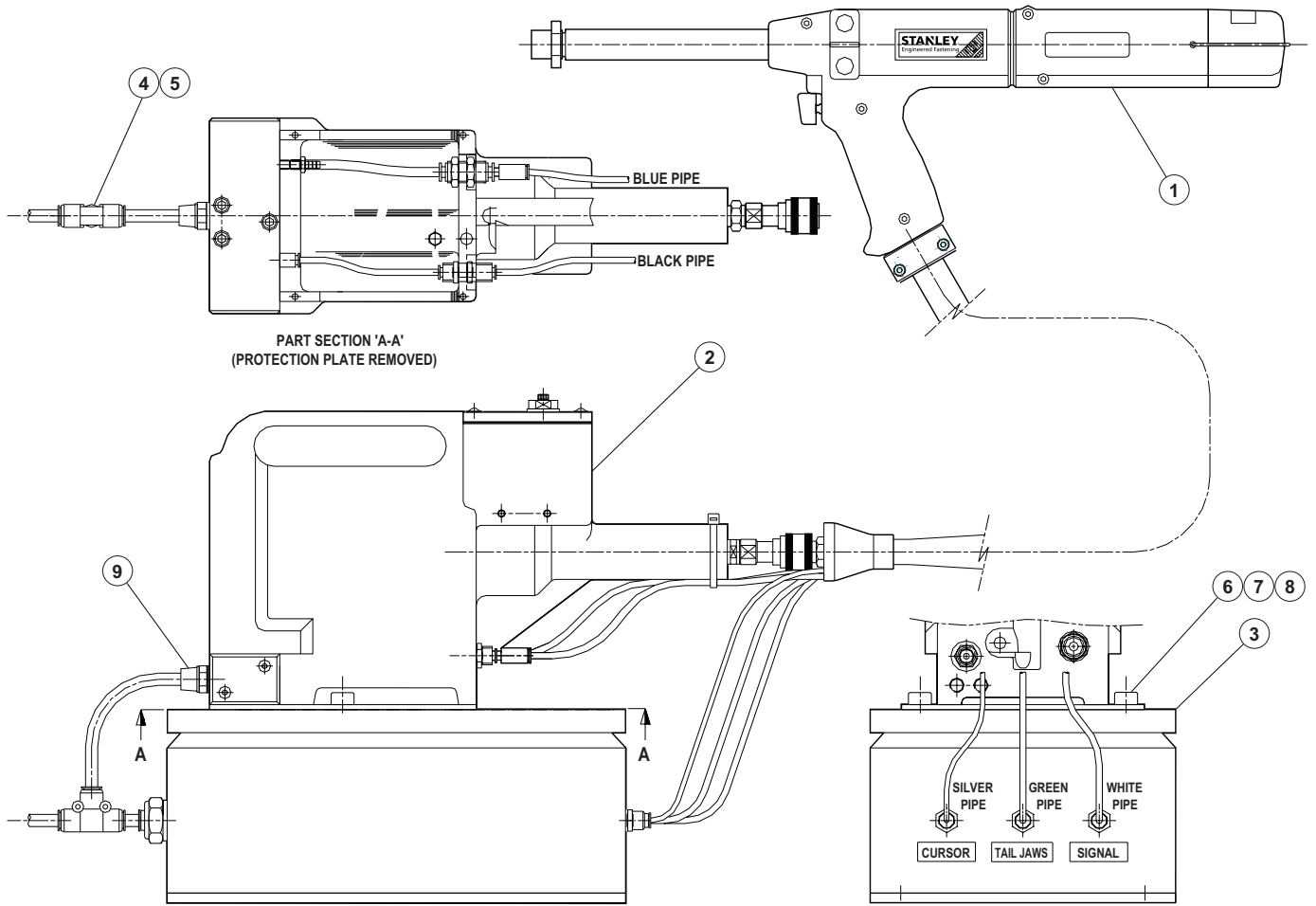
5.5 HUOLTOSARJA

Suosittellemme kaikkeen huoltoon huoltosarjaa (osanro 07900-05300).

HUOLTOSARJA					
TUOTENRO	KUVAUS	LKM	TUOTENRO	KUVAUS	LKM
07900-00157	LUKKORENGASPIHDIT	1	07900-00352	TIIVISTEEN POISTOKOUKKU	1
07900-00006	LASTA	1	07900-00710	PUTKEN TULPAN POISTOAVAIN	1
07900-00446	POISTOLAITE	1	07900-00725	KUULA	1
07900-00603	PUTKEN PURISTUSLEUAT	1	07900-00243	RUUVIMEISSELI	1
07900-00520	3/8" VARSI	1	07900-00717	VAHVISTIMEN AVAIN	1
07900-00521	1/4" VARSI	1	07900-00013	1/8" KUUSIOKOLOAVAIN	1
07900-00602	O-RENKAAN ASENNUSKUULA	1	07900-00617	LOCTITE® MONITIIVISTEPAKETTI 574 50 ml	1
07900-00595	18 mm RUUVIAVAIN	1	07900-00469	2,5 mm KUUSIOKOLOAVAIN	1
07900-00434	32 mm RUUVIAVAIN	1	07900-00351	3 mm KUUSIOKOLOAVAIN	1
07900-00237	3/8" × 5/16" B.S.W. RUUVIAVAIN	1	07900-00224	4 mm KUUSIOKOLOAVAIN	1
07900-00012	9/16" × 5/8" RUUVIAVAIN	1	07900-00225	5 mm KUUSIOKOLOAVAIN	1
07900-00008	7/16" × 1/2" RUUVIAVAIN	1	07992-00020	80 g PURKKI MOLYLITHIUM-RASVAA EP 3753	1

Huomaa: Avaimen mitat ovat "tasapäiden poikkimittoja", ellei toisin mainita.

5.6 ILMANOHJAIN, VAHVISTIN JA OHJAUSRASIAKOKOONPANO 07536-02100



OSA	OSANRO	KUVAUS	LKM
1	07536-02200	KÄSITYÖKALUN ILMANOHJAIN	1
2	07531-02200	VAHVISTIN	1
3	07007-02024	OHJAUSRASIAN ILMANOHJAIN	1
4	07005-10071	T-LIITIN	1
5	07005-10072	8 MM PUTKI (2,50 m)	1
6	74405-12080	MUUTETTU M8-NIITTI	8
7	07001-00469	M8 × 15 KUUSIOKOLORUUVI	2
8	07002-00105	M8-ALUSLEVY	4
9	07005-01573	UROS LIITIN 8 MM PUTKI	1
10	07005-01977	UROS-/NAARASSUPISTIN 6 MM / 4 MM	1

6. HUOLTO

Työkalu tulee purkaa kokonaan ja kuluneet tai vaurioituneet osat tulee vaihtaa uusiin 500 000 käyttöjakson jälkeen tai suositusten mukaan. Kaikki O-renkaat ja tiivisteet tulee vaihtaa ja voidella Molythium-rasvalla EP 3753 ennen asentamista.

TÄRKEÄÄ

Turvallisuusohjeet on annettu sivulla 4.

Työnantajan vastuulla on varmistaa, että huoltohenkilöstö saa työkalun huolto-ohjeet. Käyttäjä ei saa osallistua työkalun huoltoon tai korjaamiseen, ellei käyttäjä ole saanut asianmukaista koulutusta.

Ilmaletku on kytkettävä irti ennen huoltoa tai purkamista, ellei erikseen toisin määrätä.

Kaikki purkutytöt on suositeltavaa suorittaa puhtaissa olosuhteissa.

Ennen työkalun purkamista on irrotettava kärkilaitteisto.

Täydellistä työkalujen huoltoa varten suosittelemme, että jatkat osien purkamista alla esitettyssä järjestyksessä sen jälkeen, kun olet irrottanut hydrauliletkun vahvistinyksiköstä, ilmaletkut vahvistimesta ja ohjaurasiasta, jolloin pistooliyksikkö on erotettu vahvistinyksiköstä.

Työprosesseista syntyvät mahdollisesti vaarallisten aineiden kertymät tulee poistaa koneikosta ennen huoltoa.

6.1 MALLIN 07536-02200 PURKAMINEN

TAKALEUKOJEN SYLINTERI

- Käännä kiinnike **53** manuaalisesti ylös ja poista päätysuoja **59**.
- Irrota kuusiokoloavaimella* yksi kantaruuvi **6** varmistaen, että kaikki jäljellä oleva ilma poistuu takaleuan sylinteristä. Irrota toinen kantaruuvi **6**.
- Vedä takatulppa **50** pois. **Huomaa:** Tulpan takana on 5 mm kierteet poistamisen helpottamiseksi.
- Poista takaleuan osat, jotka koostuvat takaleukojen mäntäkoonpanosta **60**, pysäyttimestä **52**, O-renkaasta **12** ja leuasta **32**.
- Poista jäljellä olevat osat, mukaan lukien jousi **36** ja leukakotelo **42**.
- Jousen **36** vapaan pituuden tulisi olla 38,1 mm (1,5 tuumaa). Vaihda tarvittaessa.
- Poista mäntäkoonpanon O-rengas **11**.
- Irrota ilmanohjaimen Concertina-putki (vihreä) **49** kulmaliittimestä **22**.
- Irrota ilmanohjaimen Concertina-putki (hopea) **38** Barb-kulmasta **30**.
- Poista kuusiokoloavaimella* kaikki viisi kahvan puristusruuvia **3**, **4** ja kaikki neljä mutteria **8** työkalun kahvasta.
- Tartu putkeen **44** ruuvipuristimen pehmeillä leuoilla vaurioiden välttämiseksi.
- Ruuvaa putken tulppa **46** auki ruuviavaimella* estäen putken **44** kääntymisen avopäisellä ruuviavaimella*.
- Vedä takaleukojen sylinteri **47** työkalusta.
- Irrota O-rengas **14**, hankausliuska **41** ja putken palautusjousi **37**.
- Ennen asennustoimia Molythium-rasvaa tulee levittää takaleukojen pintaan **32** niiden koskettaessa leukakoteloon **42**.
- Asenna osat päinvastaisessa järjestyksessä.

HYDRAULIMÄNTÄ

- Irrota takaleuan sylinteri **47** edellä kuvatulla tavalla.
- Tartu runkoon **45** ruuvipuristimen pehmeillä leuoilla vaurioiden välttämiseksi, irrota iskurajoitin **40**.
- Löysää kuusiokoloavaimella* ruuvi **5**, joka kiinnittää kytkinlohkon **54** putkeen **44**.

* Viittaa 0753 MklI -huoltosarjan osiin. Katso täydellinen luettelo sivulta 234.

Lihavoidut osanumerot viittaavat laitekaavioon ja osaluetteloon sivuilla 238-239.

- Pidä työkalusta hyvin kiinni ja vedä putki **44** rungosta **45** (pieni määrä hydraulioöljyä voi tulla ulos pääyksikön sisältä).
- Irrota mäntä **39** varovasti, jotta pään reikä ei vahingoitu.
- Poista tiiviste **16**.
- Tiivistettä **17** on vaikea poistaa vahingoittumatta, mutta se voidaan pitää paikallaan puhdistuksen aikana (edellyttäen, että puhdistusprosessi ei vaikuta siihen). Jos tiiviste **17** on kuitenkin tarpeen vaihtaa, toimi seuraavasti:
- Levitä lastalla* tiiviste **17** rungosta **45** varoen vahingoittamasta rungon sisäosaa ja reikiä. Irrotettu tiiviste **17** TULEE hävittää.
- Vaihda tiiviste **17** irrottamalla tyhjennystulppakokoonpano **43**, kunnes sisäpinta on rungon **45** sisäreian tasalla. Tämä mahdollistaa tasaisen kulun uuden tiivisteeseen **17** työntämiseksi rungon **45** takaosan läpi.
- Varmista, että tiiviste **17** on hyvin rasvattu ja oikein päin siten, että tiivisteeseen avoin pää osoittaa takaleukoihin.
- Suorita asennus noudattamalla purkuohjeita päinvastaisessa järjestyksessä.

LIIPASINKOKOONPANO

- Irrota/huolla kokoonpanoa poistamalla suojukset työkalusta edellä kuvatulla tavalla.
- Irrota kaikki ilmaletkut kokoonpanosta varoen osien vaurioitumista. Poista kokoonpano.
- Irrota ruuviavaimella* kiinnitin **34**. Varmista, että jousi **31** pysyy paikoillaan.
- Poista O-rengas **10** varoen karan 35 ja kiinnittimen **34** istukoiden vaurioitumista.
- Puhdista ja asenna osat takaisin paikoilleen käyttäen uutta O-rengasta **10**.
- Tarkista, että jousen **31** vapaa pituus on 12,7mm (0,5") – vaihda tarvittaessa.
- Asenna osat päinvastaisessa järjestyksessä.

TAKALEUKOJEN ON/OFF-VENTTIILI

- Laite on suunniteltu siten, että sen huoltotarve on minimaalinen työkalun käyttöiän aikana.
- Jos venttiili on purettava, toimi seuraavasti:
- Poista liipaisinkotelo **56** osion "Hydraulinen mäntä" mukaisesti.
- Poista Chrome Star -lukitusaluslevy **18** varoen ruuvimeisselillä* takaleukojen kelasta **55** ja hävitä aluslevy.
- Irrota takaleukojen kela **55** kytkinlohkosta **54**.
- Irrota O-renkaat **12** varoen, ettet vahingoita takaleukojen kelaa **55**.
- Puhdista kela ja asenna uudet O-renkaat **12** paikoilleen asennuskuulan* avulla ja työnnä kytkinlohkoon **54** huomioiden oikean suunnan.
- Asenna uusi Chrome Star -lukitusaluslevy **18** ruuvipuristimen pehmeillä leuoilla sen vaurioitumisen välttämiseksi. ÄLÄ KÄYTÄ LIALLISTA VOIMAA.
- Suorita asennus noudattamalla purkuohjeita päinvastaisessa järjestyksessä.

KAHVA JA PÄÄTYSUOJA

- Puhdista ja tarkista reunat halkeamien tai muiden vaurioiden varalta.

OHJAIN

- Puhdista ja voitele ohjainkokoonpano kevyesti öljyllä ajoittain.

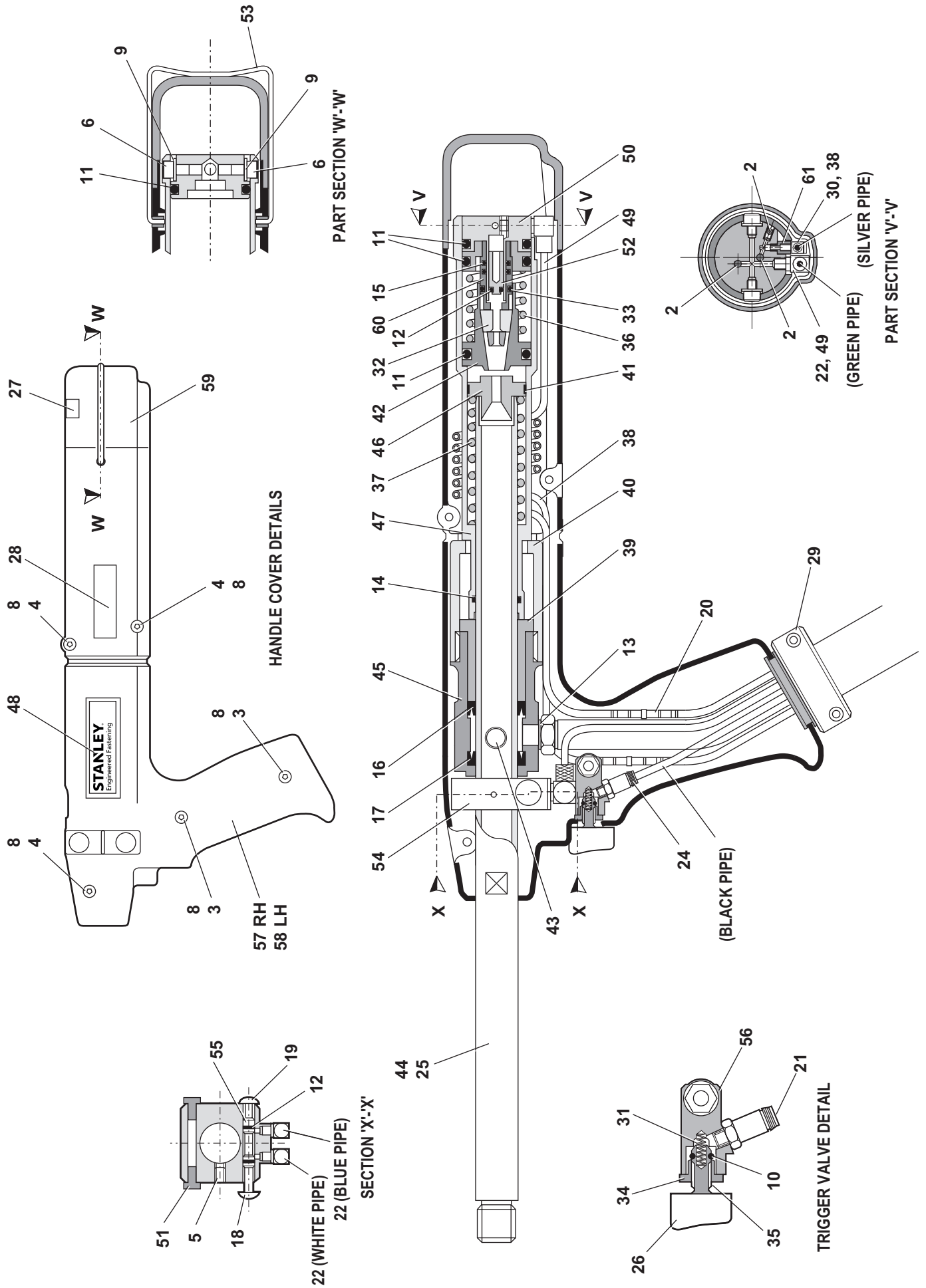
TÄRKEÄÄ

**Tarkista työkalu päivittäin ja huolla sitä viikoittain.
Alkutäyttö on AINA tarpeen työkalun purkamisen jälkeen ja ennen käyttöä.**

* Viittaa 0753 Mkll -huoltosarjan osiin. Katso täydellinen luettelo sivulta 234.

Lihavoidut osanumerot viittaavat laitekaavioon ja osaluetteloon sivuilla 238-239.

6.2 PERUSTYÖKALUN LAITEKAAVIO 07536-02200



6.3 PERUSTYÖKALUN OSALUETTELO 07536-02200

07536-02200 OSALUETTELOT										
OSA	OSANRO	KUVAUS	MÄÄRÄ	VARAOSAT	OSA	OSANRO	KUVAUS	MÄÄRÄ	VARAOSAT	VARAOSAT
1	07007-00392	KAAPELISIDE (EI KUVASSA)	1	-	34	07220-00803	KIINNITIN	1	-	-
2	07001-00499	M3x5 PITKÄ SÄÄTÖRUUVI	3	-	35	07241-00208	KARA	1	-	-
3	07001-00262	M4x22 PITKÄ KUUSIÖKOLORUUVI	1	-	36	07154-00404	JOUSI	1	-	-
4	07001-00401	M4x10 PITKÄ KUUSIÖKOLORUUVI	4	-	37	07490-03002	PUTKEN PALAUTUSJOUSI	1	-	-
5	07001-00404	M5x6 PITKÄ SÄÄTÖRUUVI	1	-	38	07536-02211	3 MM ILMANOHJAIN CONCERTINA-PUTKI -HOPEA	1	-	-
6	07001-00504	M4x6 PITKÄ KUUSIÖKOLORUUVI	2	2	39	07536-00203	MÄNTÄ	1	-	-
7					40	07530-00204	ISKURAJOITIN	1	-	-
8	07002-00134	M4-KUUSIÖKOLOMUTTERI	4	-	41	07530-00206	HANKAUSLIUSKA	1	1	1
9	07002-00153	M4-ALUSLEVY [MUOVINEN]	2	-	42	07536-00208	LEUKAKOTELO	1	-	-
10	07003-00022	O-RENGAS	1	-	43	07530-00500	ILMAUSTULPPAKOKOONPANO [OSAT 62-65]	1	-	-
11	07003-00113	O-RENGAS	3	3	44	07536-02201	PUTKI	1	-	-
12	07003-00121	O-RENGAS	3	3	45	07530-02202	RUNKO	1	-	-
13	07003-00142	1/8" BSP LIIMASULJIN	1	1	46	07530-02205	PUTKEN TULPPA	1	-	-
14	07003-00167	O-RENGAS	1	1	47	07536-02207	TAKALEUKOJEN SYLINTERI	1	-	-
15	07003-00386	O-RENGAS	2	-	48	07530-02210	TARRAMERKKI	2	-	-
16	07003-00236	TIIVISTE [DYNAAMINEN]	1	1	49	07536-02212	4 MM ILMANOHJAIN CONCERTINA-PUTKI -VIHREÄ	1	-	-
17	07003-00237	TIIVISTE [STAATTINEN]	1	-	50	07536-02213	TAKATULPPA	1	-	-
18	07004-00058	1/8" STARLOCK-ALUSLEVY, KROMINEN	1	-	51	07530-00310	TYHJENNYSTULPPA	2	-	-
19	07004-00059	1/8" STARLOCK-ALUSLEVY, MUSTA	1	-	52	07536-02214	PYSÄYTIN	1	-	-
20	07005-10073	3 MM LIITIN	1	-	53	07530-02220	KIINNITIN	1	-	-
21	07005-01357	HOLKITYYPPIINEN LIITIN	1	-	54	07530-02301	KYTKINLOHKO	1	-	-
22	07005-01571	KULMALIITIN	3	-	55	07530-02302	TAKALEUKOJEN KELA	1	-	-
23	07536-02216	LUKITUSMUTTERI	1	-	56	07530-02311	LIIPASINKOTELO	1	-	-
24	07005-10074	2 MM LIITIN	1	-	57	07536-02601	KAHVAKOKOONPANO, OIKEANPUOLEINEN	1	-	-
25	07007-00017	PÖLYSUOJA	1	-	58	07536-02602	KAHVAKOKOONPANO, VASEMMANPUOLEINEN	1	-	-
26	07007-00300	LIIPASINPAINIKE	1	-	59	07530-02603	PÄÄTYSUOJA	1	-	-
27	73200-02022	TURVALLISUUSMERKKI	1	-	60	07536-02800	TAKALEUKOJEN MÄNTÄKOKOONPANO	1	-	-
28	07007-01504	CE-MERKKI	1	-	61	07536-02215	ASENNUSSOVITIN	1	-	-
29	07008-00438	LETKUKOKOONPANO	1	-	62	07003-00142	● LIIMASULJIN (EI KUVASSA)	1	1	1
30	07005-01323	M3 BARB -KULMA	1	-	63	07003-00194	● LIIMASULJIN (EI KUVASSA)	1	1	1
31	07125-00215	JOUSI	1	-	64	07001-00442	● RUUVI (EI KUVASSA)	1	1	1
32	07151-00403	TAKALEUAT	1	2	65	07530-00501	● TULPPA (EI KUVASSA)	1	-	-
33	07003-00016	O-RENGAS	1	-						

6.4 PURKUOHJEET

- Kun vahvistinkokoonpano puretaan, irrota ensin ilmansyöttöletku vahvistimen syöttöaukon liittimestä **22**.
- Irrota ruuviavaimella* neljä ruuvia **27** ja irrota suojalevy **24**.
- Irrota käynnistysletku **47** vahvistimen venttiilistä **43** tai **48** painamalla ulostulon holkkia ja poistamalla letku.
- Irrota suojalevy **4** ja tiiviste **35** irrottamalla ruuvit **37** ja aluslevyt **36** kuusiokoloavaimella*.
- Varmista, ettei tiiviste vaurioidu sen oikeaoppisen kiinnittymisen varmistamiseksi.
- Käännä vahvistinkokoonpano ja tyhjennä öljy säiliöstä asianmukaiseen säiliöön.
- Poista pikaliitin **32** yhdessä liittimen **31** ja tiivisteen **33** kanssa sopivalla ruuviavaimella*.
- Poista vahvistimen venttiili **43** tai **48** irrottamalla kiinnitysruuvit sopivalla ruuviavaimella ja ottamalla vahvistimen rungossa olevan O-renkaan **21** talteen.
- Poista ruuvi **19** sopivalla ruuviavaimella* ja irrota vaimentimen suojakansi **16**, vaahtovaimennin **15**, välikappale **18** sekä kiinnityslevy **20**.
- Vedä 6 mm muoviputki **41** pois tyhjiöliittimistä **42**.
- Aseta 3 mm ruuviavain* vahvistimen kannan kautta kahden reiän läpi ja irrota tyhjiöliittimet **42**. Huomaa:
 - Noudata varovaisuutta, kun tyhjiöliittimet lukitaan ja tiivistetään paikalleen Loctite® 574 -aineella.
 - Jos tyhjiöliittimiä on vaikea irrottaa, ne voidaan porata halkaisijaltaan $\frac{3}{16}$ " tai 4,7 mm:n poralla.
- Asenna tyhjiöliittimet **42** takaisin paikoilleen toimimalla seuraavasti: -
 - Kostuta tyhjiöliittimet sopivaan pohjustusaineeseen (esim. Perma Bond A905).
 - Lisää tippa Loctite® 574 -ainetta vahvistimen kierteiseen reikään.
 - Aseta ruuviavain* reiän läpi vahvistimen kannan kautta. Varmista, ettei ruuviavaimessa* ole Loctite® 574 -ainetta ennen sen asettamista tyhjiöliittimeen.
 - Kierrä ruuviavainta levittämällä Loctite® 574 -ainetta tyhjiöliittimen kantaan.
 - Ruuvaa tyhjiöliitin vahvistimeen varmistamalla, että Loctite® 574 -ainetta on riittävästi liitoksen kannassa niin, etteivät kierteet näy.
- Poista lukitusrenkas **14** varoen ruuvimeisselin avulla. Puhdista ja tarkista urat vaurioiden varalta.
- Aseta ulkokierteinen pää poistolaitteen* avulla päätykanteen **12** ja poista se vahvistimen laipan **28** ja O-renkaiden **10** ja **13** kanssa.
- Aseta varsi* liittimen reiän läpi vahvistimen rungon etuosassa ja napauta männän varsi **9** ja mäntäkokoonpano pois.
- Irrota sopivalla ruuviavaimella* kaksi ruuvia **25** ja irrota päätykansi **12** vahvistimen laipasta **28**.
- Poista tiivistystulppa **7** ruuviavaimella*.
- Aseta varsi* liittimen reiän läpi vahvistimen rungon etuosassa ja paina tiivistekotelo **5** ja vastaavat O-renkaat ja huulitiivisteet pois.
- Poista venttiilikotelon kokoonpano **34** päärungosta sopivalla ruuviavaimella*. Puhdista puhaltamalla ilmaa matalapaineisella ilmansuihkulla.
- Poista männän varsi **9** vahvistimen ilmamännästä **11** tarttumalla varren alkupäähän 20 mm:n ($\frac{3}{4}$ ") pituudelta pehmeillä puristinleuoilla. Varo vahingoittamasta tai jättämästä jälkiä työpintaan.
- Irrota lukitusmutteri **17** sopivalla ruuviavaimella*.
- Asenna päinvastaisessa järjestyksessä purkuohjeisiin nähden huomaamalla seuraavat:
 - Puhdista kaikki osat ja vaihda O-renkaat uusiin.
 - Voitele kaikki tiivisteet Molythium-rasvalla.
 - Venttiilikotelon kokoonpano **34** tulee asentaa takaisin käyttämällä kierteiden tiivistysliimaa.
 - Asenna mäntäkokoonpano uudella mutterilla **17**.
- Päätykansi **12** tulee asentaa oikein lukitusrenkaan **14** sisään. Työkalua ei saa käyttää, jos päätykantta ei ole asennettu.

* Viittaa 0753 Mkll -huoltosarjan osiin. Katso täydellinen luettelo sivulta 234.

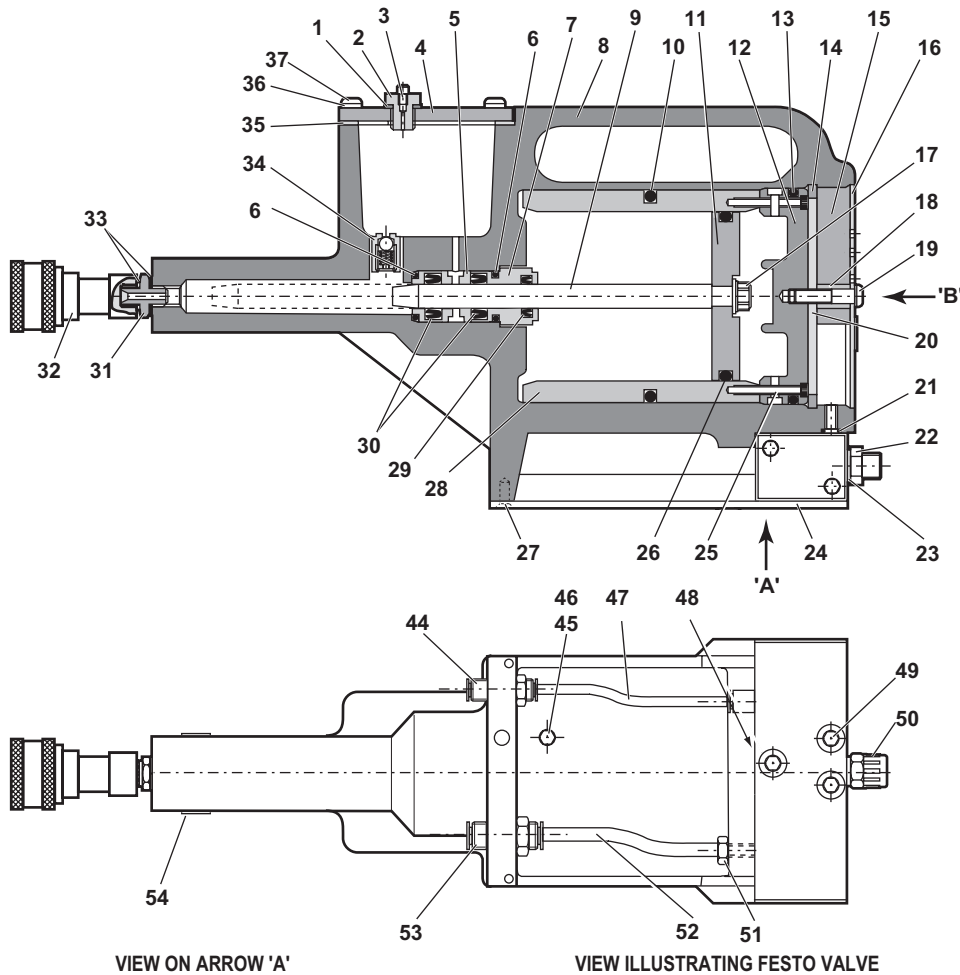
Lihavoidut osanumerot viittaavat kuvaan ja vastakkaiseen osaluetteloon.

TÄRKEÄÄ
Alkutäyttö on AINA tarpeen työkalun purkamisen jälkeen ja ennen käyttöä.

6.5 YMPÄRISTÖNSUOJELU

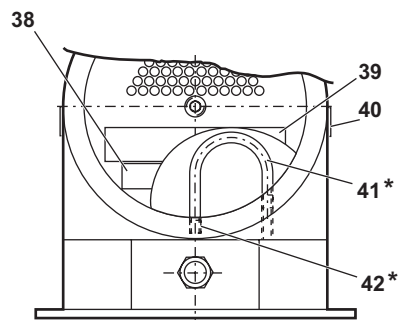
Varmista, että noudatat soveltuvia jätemääräyksiä. Kaikki jätetuotteet tulee hävittää asianmukaisiin keräyspisteisiin, jotta ne eivät vaarantaisi henkilöstöä tai ympäristöä.

6.6 VAHVISTIN 07531-02200

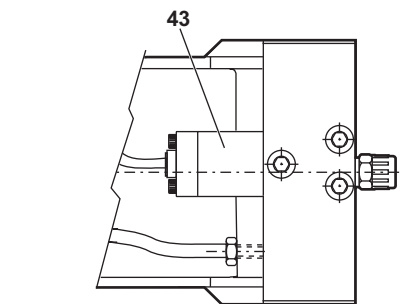


Note

* Some units will not include these items (The required link is achieved via internal porting).



VIEW ON ARROW 'B'



VIEW ILLUSTRATING COMPAIR VALVE

* Viittaa 0753 Mkll -huoltosarjan osiin. Katso täydellinen luettelo sivulta 234.

Lihavoidut osanumerot viittaavat kuvaan ja vastakkaiseen osaluetteloon.

07531-02200 OSALUETTELO										
OSA	OSANRO	KUVAUS	MÄÄRÄ	VARAOSAT	OSA	OSANRO	KUVAUS	MÄÄRÄ	VARAOSAT	VARAOSAT
1	07003-00037	TIIVISTE	1	1	28	07531-00201	LAIPPA	1	1	-
2	07240-00211	TÄYTTÖRUUVI	1	-	29	07003-00337	HUULITIIVISTE	1	1	1
3	07001-00418	ILMAUSRUVI	1	1	30	07003-00336	HUULITIIVISTE	2	2	2
4	07240-00210	SUOJALEVY	1	-	31	07005-00406	LIITIN	1	1	-
5	71420-02006	TIIVISTEKOTELO	1	-	32	07005-00759	PIKALIITIN	1	1	-
6	07003-00153	O-RENGAS	2	-	33	07003-00142	TIIVISTE	2	2	1
7	71420-02007	TIIVISTYSTULPPA	1	-	34	07240-00400	VENTTIILIKOTELON KOKOONPANO	1	1	-
8	71420-02300	RUNKOKOKOONPANO	1	-	35	07240-00209	TIIVISTE	1	1	1
9	71420-02008	MÄNNÄN VARS	1	-	36	07002-00073	ALUSLEVY	4	4	1
10	07003-00182	O-RENGAS	1	1	37	07001-00554	RUUVI	4	4	1
11	07531-00202	ILMAMÄNTÄ	1	-	38	07007-01504	TARRAMERKKI	1	1	-
12	07531-00204	PÄÄTYKANSI	1	-	39	07240-00217	TARRAMERKKI	1	1	-
13	07003-00183	O-RENGAS	1	1	40	07531-00205	TARRAMERKKI	2	2	-
14	07004-00069	LUKITUSRENGAS	1	1	41	07005-00596	* 6 mm MUOVIPUTKI	-	-	-
15	07240-00213	VAAHTOVAIMENNIN	1	1	42	07245-00103	* TYHJIÖLIITIN	2	2	-
16	07240-00214	VAIMENTIMEN SUOJAKANSI	1	-	43	07005-00590	COMPAIR-VENTTIILI	1	1	1
17	07002-00017	MUTTERI	1	1	44	07005-01431	VÄLISEINÄN LIITIN	1	1	1
18	07240-00215	VÄLIKAPPALE	1	-	45	07005-00668	M5 TULPPA	1	1	-
19	07001-00417	RUUVI	1	1	46	07005-00670	M5 TIIVISTYSRENGAS	1	1	-
20	07240-00216	KIINNITYSLEVY	1	-	47	07005-01084	4 mm MUOVIPUTKI (150 mm)	-	-	-
21	*07003-00042	O-RENGAS	1	1	48	07005-01524	FESTO-VENTTIILI	1	1	-
22	07005-00041	LIITIN	1	-	49	07001-00176	RUUVI	3	3	-
23	07003-00065	ALUSLEVY	1	-	50	07007-00292	1/4" BSP KORKKI	1	1	-
24	07240-00220	SUOJALEVY	1	-	51	07005-00647	LIITIN	1	1	-
25	07001-00375	RUUVI	2	-	52	07005-01085	6 mm MUOVIPUTKI (150 mm)	-	-	-
26	07003-00238	O-RENGAS	1	1	53	07005-00855	VÄLISEINÄN LIITÄNTÄ	1	1	-
27	07001-00396	RUUVI	4	-	54	73200-02022	TURVALLISUUSMERKKI	1	1	-

7. ALKUTÄYTTÖ

Alkutäyttö on AINA tarpeen työkalun purkamisen jälkeen ja ennen käyttöä. Täysi isku saattaa myös olla tarpeen palauttaa huomattavan käytön jälkeen, kun isku voi pienentyä ja kiinnittimet eivät ole täysin paikallaan yhdellä liipaisimen painalluksella.

7.1 ÖLJYN TIEDOT

Alkutäytön suositeltu öljy on Hyspin® VG32 ja AWS 32, joka on saatavilla 0,5 l (osanumero 07992-00002) tai yhden gallonan pakkauksissa (osanumero 07992-00006). Katso turvallisuustiedot alta.

7.2 HYSPIN® VG32 JA AWS 32 -ÖLJYN TURVALLISUUSTIEDOT

Ensiapu

IHO:

Pese huolellisesti saippuavedellä mahdollisimman pian. Satunnainen kosketus ei vaadi välittömiä toimenpiteitä.

Lyhytaikainen kosketus ei vaadi välittömiä toimenpiteitä.

NIELEMINEN:

Ota välittömästi yhteyttä lääkäriin. EI SAA oksettaa.

SILMÄT:

Huuhtelee välittömästi vedellä useiden minuuttien ajan. Vaikka kyseessä EI ole ensisijainen ärsyttävä aine, lievää ärsytystä voi esiintyä kosketuksen jälkeen.

Tulipalo

Sopiva sammutusväline: CO₂, kuiva jauhe, vaahto tai vesisumu. ÄLÄ käytä vesisuihkua.

Ympäristö

JÄTTEIDEN HÄVITYS: Valtuutetun ja hyväksytyyn keräyspisteen kautta. Voidaan polttaa. Käytetty tuote voidaan palauttaa talteenottoa varten.

ROISKEET: Estä pääsy viemäriin, putkistoihin ja vesistöihin. Imeytä imukykyiseen materiaaliin.

Käsittely

Käytä suojalaseja, läpäisemättömiä käsineitä (esim. PVC) ja muovista esiliinaa. Käytettävä hyvin ilmastoidussa tilassa.

Säilytys

Ei erityisiä varotoimia.

7.3 ALKUTÄYTÖN OHJEET

TÄRKEÄÄ

ÄLÄ KÄYTÄ LIIPASINTA, JOS ILMAUSRUVI ON IRROTETTU

Kaikki toimenpiteet on suoritettava puhtaalla työtasolla, puhtailla käsillä ja puhtaalla alueella.

Varmista, että uusi öljy on täysin puhdasta ja ettei siinä ole ilmakuplia.

Varovaisuutta TULEE noudattaa aina, jotta työkaluun ei pääse vieraita aineita, muutoin seurauksena voi olla vakavia vaurioita.

- Irrota ruuvi **2** ja tiiviste **1** muoviholkin levystä **4** vahvistimen säiliössä.
- Kaada alkutäyttö-öljyä säiliöön, kunnes taso on noin 12 mm (1/2") yläreunasta.
- Asenna ruuvi **2** ja tiiviste **1** paikoilleen.
- Liitä vahvistinyksikkö ilmansyöttöön. Irrota ruuvi säiliöstä.
- Kun 07536 pistooliyksikkö on asennettu vahvistinyksikköön ja sitä pidetään vahvistinyksikön tason alapuolella, kierrä ilmausruvia **64** auki ilmaustulpakokoonpanossa **43** 07536-työkalussa kaksi kierrosta ja anna öljyn virrata pois työkalusta.
- Kun öljy valuu vapaasti ilman ilmakuplia, kiristä ilmausruvi.
- Täytä vahvistinyksikön säiliö alkutäyttö-öljyllä.
- Käytä työkalua, kunnes öljyssä olevat ilmakuplat poistuvat öljysäiliöstä.

Lihavoidut osanumerot viittaavat laitekaavioon ja osaluetteloon sivuilla 238-241.

8. VIANMÄÄRITYS

ONGELMA	MAHDOLLINEN SYY	KORJAUSTOIMENPIDE	SIVUVIITE
Työkalu ei kiinnitä kiinnikettä	Heikko ilmanpaine.	Lisää ilmanpainetta	
	Puutteellinen voitelu.	Voitele työkalu ilmansyöttökohdasta	
	Suuri kuormitus.	Tarkista kiinnittimen kiinnitys ja käyttökohteen reikäkoko	
	Tarkista karan oikea koko.		
	Takaleuat kytkeytyvät pois.	Kytke takaleuat päälle	
	Ilmaa hydraulisessa järjestelmässä.	Katso "Alkutäytön ohjeet"	243
"Karan liukuminen" - leuat eivät kiinnity karaan	Takaleuat kuluneet tai likaiset.	Puhdista tai vaihda tarvittaessa	
	' Riittämätön ilmanpaine tai ilman määrä.	Lisää ilmanpainetta tai määrää	
	' Takaleukojen kytkin ei toimi.	Vaihda kytkin	
	' Ilmavuotoja takaleuoissa.	Vaihda O-renkaat männässä 11	
	Kara vaurioitunut ja se ei saavuta takaleukoja.	Vaihda kara	
	Vika pneumaattisessa ohjausrasiassa.	Ota yhteyttä Stanley Engineered Fasteningin henkilöstöön	
Leuat eivät vapauta karaa	Likaiset takaleuat tai leukojen kotelo.	Puhdista ja voitele	
	Viallinen takaleukojen kytkin.	Vaihda O-renkaat	
	Ilmatukoksen signaali	Tarkista paineilmaputket	
	Vika pneumaattisessa ohjausrasiassa	Ota yhteyttä Stanley Engineered Fasteningin henkilöstöön	
Kiinnittimien syöttö ei onnistu kärkileukojen läpi	Takaleukoja ei kytketty päälle.	Kytke takaleuat päälle	
	Kuluneet takaleuat.	Vaihda uudet takaleuat	
	Ohjain suunnattu virheellisesti.	Asenna takaisin ja varmista oikea suunta	
	Väärä ohjain	Asenna oikea ohjain	
	Väärät kärkileuat.	Asenna oikeat kärkileuat	
	Karan takajousta ei asennettu.	Asenna karan oikea takajousi	
	Karan takajousen pituus	Asenna karan oikea takajousi	
	Kiinnittimen pään ja kärkileukojen välinen rako virheellinen ladattuna.	Aseta väliksi 1,5 - 3 mm (1/16" - 1/8") Katso "Työkalun lataaminen"	231-232
	Ohjain juuttuu kiinni.	Puhdista ja voitele ohjain	
	Kulunut ilmanohjain	Vaihda uusi ohjain	
	Asennettu väärä karan takajousi.	Asenna karan oikea takajousi	
	Kulunut tai vaurioitunut putken palautusjousi	Vaihda putken palautusjousi	
Takaleuat kuluneet liikaa	Suuri kuormitus.	Tarkista käyttökohteen reikäkoko ja paksuus sekä kiinnittimen kiinnityskyky	
Laite syöttää useamman kuin yhden kiinnittimen kerrallaan	Kara liukuu.	Tarkista ohjeet kohdasta "Kara liukuu", vaihe 2	
	Kiinnittimen pään ja kärkileukojen välinen rako virheellinen ladattuna	Aseta väliksi 1,5 - 3 mm (1/16" - 1/8") Katso "Työkalun lataaminen" sivulta	231-232

Muista ongelmista tulee ilmoittaa paikalliselle Stanley Engineered Fasteningin edustajalle tai korjauspalveluun.

HUOMAA

9. EY-VAATIMUSTENMUKAISUUSVAKUUTUS

Me, **Stanley Engineered Fastening, Stanley House, Works Road, Letchworth Garden City, Hertfordshire, SG6 1JY ISO-BRITANNIA**, vakuutamme täten vastuunalaisena, että tuote:

Kuvaus: **Hydropneumaattinen pikaniittien toistotyökalu**

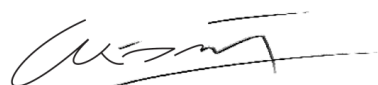
Malli: **07536**

jota tämä vakuutus koskee, täyttää seuraavien yhdenmukaistettujen standardien vaatimukset:

ISO 12100:2010	EN ISO 3744:2010
EN ISO 11202:2010	EN ISO 11148-1:2011
EN ISO 4413:2010	BS EN 28662-1:1993
EN ISO 4414:2010	EN ISO 20643:2008+A1:2012
EN ISO 28927-5:2009+A1:2015	ES100118-rev 17:2017

Tekninen dokumentaatio on laadittu liitteen VII mukaisesti seuraavaa direktiiviä noudattaen: **2006/42/EY konedirektiivi** (lakisäätöasetti asiakirjat 2008 nro 1597 - Konemääräykset (turvallisuus)).

Allekirjoittanut tekee tämän vakuutuksen STANLEY Engineered Fastening -yhtiön puolesta



A. K. Seewraj

Tekninen päällikkö, Iso-Britannia

Avdel UK Limited, Stanley House, Works Road, Letchworth Garden City, Hertfordshire, SG6 1JY ISO-BRITANNIA

Myöntämipaikka: **Letchworth Garden City, UK**

Myöntämisaika: **01-01-2021**

Allekirjoittanut vastaa Euroopan unionin alueella myytyjen tuotteiden teknisen tiedoston laatimisesta ja tekee tämän vakuutuksen Stanley Engineered Fastening -yhtiön puolesta.

Matthias Appel

Tiimipäällikkö - Tekniset asiakirjat

Stanley Engineered Fastening, Tucker GmbH, Max-Eyth-Str.1, 35394 Gießen, Saksa



Tämä kone täyttää seuraavat vaatimukset:
Konedirektiivi 2006/42/EY

10.ISON-BRITANNIAN VAATIMUSTENMUKAISUUSVAKUUTUS

Me, **Stanley Engineered Fastening, Stanley House, Works Road, Letchworth Garden City, Hertfordshire, SG6 1JY ISO-BRITANNIA**, vakuutamme täten vastuunalaisena, että tuote:

Kuvaus: **Hydropneumaattinen pikaniittien toistotyökalu**

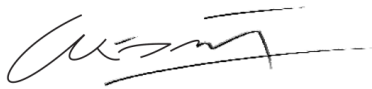
Malli: **07536**

jota tämä vakuutus koskee, täyttää seuraavien standardien vaatimukset:

ISO 12100:2010	EN ISO 3744:2010
EN ISO 11202:2010	EN ISO 11148-1:2011
EN ISO 4413:2010	BS EN 28662-1:1993
EN ISO 4414:2010	EN ISO 20643:2008+A1:2012
EN ISO 28927-5:2009+A1:2015	ES100118-rev 17:2017

Tekniset asiakirjat on laadittu Supply of Machinery (Safety) -sädöksen 2008, S.I. 2008/1597 (kuten muutettu) mukaisesti.

Allekirjoittanut tekee tämän vakuutuksen STANLEY Engineered Fastening -yhtiön puolesta



A. K. Seewraj

Tekninen päällikkö, Iso-Britannia

Avdel UK Limited, Stanley House, Works Road, Letchworth Garden City, Hertfordshire,
SG6 1JY ISO-BRITANNIA

Myöntämispaikka: **Letchworth Garden City, UK**

Myöntämisaika: **01-01-2021**



Tämä kone täyttää seuraavat vaatimukset:
Supply of Machinery (Safety) -sädös 2008,
S.I. 2008/1597 (kuten muutettu)

11. TURVAA SIOITUKSESI!

Stanley® Engineered Fastening SOKKONIITTIIEN NIITTAUSKONEEN TAKUU

STANLEY® Engineered Fastening takaa, että kaikki sähkötyökalut on valmistettu huolellisesti ja että niissä ei ole materiaali- tai valmistusvirheitä normaalissa käytössä yhden (1) vuoden aikana.

Tämä takuu koskee työkalun ensimmäistä ostajaa vain alkuperäisessä käytössä.

Rajaukset:

Normaali kuluminen.

Säännöllinen huolto, korjaus ja vaihto-osat normaalin kulumisen vuoksi eivät kuulu takuun piiriin.

Väärinkäyttö.

Virheet tai vauriot, jotka aiheutuvat virheellisestä käytöstä, varastoinnista, väärinkäytöstä, onnettomuudesta tai laiminlyönnistä (esim. fyysisestä vahingosta), eivät kuulu takuun piiriin.

Valtuuttamaton huolto tai muuttaminen.

Virheet tai vauriot, jotka aiheutuvat huollosta, testaussäädöstä, asennuksesta, ylläpidosta, muutoksista tai muokkauksesta millään tavalla jonkun muun kuin STANLEY® Engineered Fasteningin tai sen valtuuttaman huoltokeskuksen tekemänä, eivät kuulu takuun piiriin.

Kaikki muut takuut, nimenomaiset tai epäsuorat, mukaan lukien takuut kauppakelpoisuudesta tai soveltuvuudesta käyttötarkoitukseen eivät kuulu takuuseen.

Jos tämä työkalu ei vastaa takuuta, palauta työkalu tehtaamme valtuuttamaan sinua lähellä olevaan huoltokeskukseen. Saat luettelon valtuutetuista STANLEY® Engineered Fastening -huoltokeskuksista Yhdysvalloissa tai Kanadassa ottamalla yhteyttä numeroon +1 (877) 364 2781.

Yhdysvaltojen ja Kanadan ulkopuolella löydät verkkosivustolta **www.StanleyEngineeredFastening.com** lähimmän STANLEY Engineered Fasteningin toimipisteen.

STANLEY Engineered Fastening korvaa maksutta osan tai osat, joiden olemme todenneet olevan viallisia virheellisen materiaalin tai valmistuksen vuoksi, ja palautamme työkalun postikulut maksettuina. Tämä on ainoa takuun piiriin kuuluva velvoituksemme.

STANLEY Engineered Fastening ei missään tapauksessa ota vastuuta seuraamuksellisista tai erityisistä vahingoista, jotka johtuvat tämän työkalun hankinnasta tai käytöstä.

Rekisteröi sokkoniittien niittauskoneesi verkossa.

Rekisteröi takuusi verkossa osoitteessa <https://www.stanleyengineeredfastening.com/support/warranty-registration-form>

Kiitos, että valitsit STANLEY® Engineered Fasteningin Stanley Assembly Technologies -työkalun.

©2021 Stanley Black & Decker inc.
Alle rettigheter forbeholdt.

Informasjonen her skal ikke reproduseres og/eller offentliggjøres på noen måte i noen form (elektronisk eller mekanisk) uten skriftlig forhåndstillatelse fra STANLEY Engineered Fastening. Informasjonen her er basert på data kjent på tidspunktet for lansering av produktet. STANLEY Engineered Fastening har en policy med kontinuerlig produktforbedring, og produktene kan derfor endre seg. Informasjonen her gjelder produktet som levert fra STANLEY Engineered Fastening. STANLEY Engineered Fastening kan derfor ikke holdes ansvarlig for eventuelle skader som følger av endringer i forhold til de originale spesifikasjonene for produktet.

Informasjonen her er sammenstilt med størst mulig nøyaktighet. Men STANLEY Engineered Fastening tar intet ansvar med hensyn til eventuelle feil i informasjonen eller for konsekvenser av slike feil. STANLEY Engineered Fastening tar intet ansvar for handlinger utført av tredjepart. Arbeidsnavn, handelsnavn, registrerte varemerker osv. som brukes av STANLEY Engineered Fastening skal ikke regnes som frie, men er underlagt lovgivning med hensyn til beskyttelse av varemerker og lignende.

1. SIKKERHETSDEFINISJONER.....	250
1.1 GENERELLE SIKKERHETSREGLER.....	250
1.2 FARE FRA PROSJEKTILER.....	250
1.3 FARE VED BRUK.....	251
1.4 FARE VED GJENTAKENDE BEVEGELSER.....	251
1.5 FARE VED TILBEHØR.....	251
1.6 FARE VED ARBEIDSPLASSEN.....	251
1.7 FARE VED STØY.....	251
1.8 FARE VED VIBRASJONER.....	251
1.9 EKSTRA SIKKERHETSANVISNINGER FOR PNEUMATISKE OG HYDRAULISKE VERKTØY.....	252
2. SPESIFIKASJONER.....	253
2.1 SPESIFIKASJON FOR 07536-VERKTØY.....	253
2.2 SPESIFIKASJON FOR 07531-FORSTERKER.....	253
3. BRUKSFØRMÅL.....	254
3.1 VERKTØYMÅL – MODELL 07536.....	254
4. TA I BRUK.....	255
4.1 LUFTFORSYNING.....	255
4.2 LUFTFØRINGER.....	256
4.3 LADE OG OMLADE VERKTØYET.....	256
4.4 BRUKSPROSEDYRE.....	258
5. SERVICE PÅ VERKTØYET.....	259
5.1 PNEUMATISK KONTROLLBOKS.....	259
5.2 DAGLIG.....	259
5.3 UKENTLIG.....	259
5.4 MOLYLITHIUM SMØREFETT EP 3753 – SIKKERHETSDATA.....	259
5.5 SERVICESETT.....	260
5.6 LUFTFØRINGSVERKTØY, FORSTERKER OG KONTROLLBOKSMONTERING 07536-02100.....	261
6. VEDLIKEHOLD.....	262
6.1 DEMONTERE 07536-02200.....	262
6.2 GENERELL MONTERING AV GRUNNVERKTØYET 07536--02200.....	264
6.3 DELELISTE FOR GRUNNVERKTØY 07536--02200.....	265
6.4 DEMONTERINGSANVISNINGER.....	266
6.5 BESKYTTE MILJØET.....	267
6.6 FORSTERKER 07531-02200.....	267
7. OPPSETT (PRIMING).....	269
7.1 OLJEINFORMASJON.....	269
7.2 HYPIN® VG32 OG AWS 32 OLJE SIKKERHETSDATA.....	269
7.3 PRIMING-PROSEDYRE.....	269
8. FEILDIAGNOSE.....	270
9. EU-SAMSVARERKLÆRING.....	272
10. SAMSVARERKLÆRING (UK).....	273
11. BESKYTT INVESTERINGEN DIN!.....	274



Denne instruksjonshåndboken skal leses av alle som installerer eller bruker dette verktøyet, med spesiell oppmerksomhet på å følge sikkerhetsreglene.



Bruk alltid slagfaste vernebriller ved bruk av verktøyet. Nødvendig beskyttelse skal vurderes før hver bruk.



Bruk hørselsvern i samsvar med arbeidsgiverens anvisninger og som pålagt i HMS-reglene.



Bruk av verktøyet kan eksponere brukerens hender for fare, inkludert knusing, slag, kutt, skrubbsår og varme. Bruk passende hansker for å beskytte hendene.

1. SIKKERHETSDEFINISJONER

Definisjonene under beskriver alvorlighetsgraden for hvert signalord. Vennligst les håndboken og legg merke til disse symbolene.



FARE: Indikerer en overhengende farlig situasjon som vil føre til død eller alvorlige personskader hvis den ikke avverges.



ADVARSEL: Indikerer en potensielt farlig situasjon som kan føre til død eller alvorlige personskader hvis den ikke avverges.



FORSIKTIG: Varsler om en mulig farlig situasjon som, hvis den ikke unngås kan føre til mindre eller moderate personskader.



FORSIKTIG: Bruk uten sikkerhetssymbol indikerer en potensiell farlig situasjon som kan føre til materielle skader dersom den ikke avverges.

Feilaktig bruk eller vedlikehold av dette produktet kan føre til alvorlige personskader og materielle skader. Les og forstå alle advarsler og bruksanvisninger før bruk av dette utstyret. Ved bruk av verktøy skal alltid grunnleggende sikkerhetsregler følges for å unngå fare for personskader.

TA VARE PÅ ALLE ADVARSLER OG ANVISNINGER FOR FREMTIDIG BRUK

1.1 GENERELLE SIKKERHETSREGLER

- For mange ulike farer. les og forstå sikkerhetsanvisningene før installasjon, bruk, reparasjon, vedlikehold av og skifte av tilbehør på verktøyet, eller for arbeid i nærheten. Dersom det ikke gjøres kan det føre til alvorlige personskader.
- Kun kvalifiserte og opplærte skal installere, justere og bruke verktøyet.
- Skal IKKE brukes for andre formål enn den påtenkte installasjonen av STANLEY Engineered Fastening popnagler.
- Bruk kun deler, nagler og tilbehør som anbefalt av produsenten.
- IKKE modifier verktøyet. Endringer kan redusere effekten av sikkerhetstiltak og øke risikoen for brukeren. Eventuelle endringer på verktøyet som er foretatt av kunden, er kundens eneansvar og vil ugyldiggjøre alle aktuelle garantier.
- Ikke kast sikkerhetsanvisningene, brukeren skal ha dem.
- Bruk ikke verktøyet dersom det er skadet.
- Før bruk, kontroller for feil innretning eller bevegelige deler som sitter fast, brukne deler og andre forhold som kan påvirke verktøyets funksjon. Dersom det er skadet, få verktøyet reparert før bruk. Ta av eventuell justeringsnøkkel eller skiftenøkkel før bruk.
- Verktøy skal ha regelmessig ettersyn for å verifisere angivelser og merking som kreves i henhold til denne del av ISO 11148 er lesbare på verktøyet. Arbeidsgiver/bruker skal kontakte produsenten for å få nye etiketter om nødvendig.
- Verktøyet skal alltid vedlikeholdes for trygg brukstilstand, og skal inspiseres for skader og korrekt funksjon av opplært personell med regelmessige mellomrom. All demontering skal foretas av opplært personell. Ikke demonter dette verktøyet uten først å rådføre deg med vedlikeholdsanvisningene.

1.2 FARE FRA PROSJEKTILER

- Koble verktøyet fra luftforsyningen før du foretar vedlikehold, justeringsforsøk, setter på eller tar av nesemodul.
- Vær oppmerksom på at svikt i arbeidsstykker eller tilbehør – og i det anvendte verktøyet selv – kan utløse prosjektiler med høy hastighet.
- Bruk alltid slagfaste vernebriller ved bruk av verktøyet. Nødvendig beskyttelse skal vurderes før hver bruk.
- Risikoen for andre personer skal vurderes samtidig.
- Forsikre deg om at arbeidsstykker er godt festet.
- Sjekk at beskyttelsen mot utkast av nagler og/eller kjerner er på plass og fungerer.
- Advar mot mulig kraftig utkast av kjerner fra fronten av verktøyet.
- IKKE bruk verktøyet dersom det er rettet direkte mot noen person.

1.3 FARE VED BRUK

- Bruk av verktøyet kan eksponere brukerens hender for fare, inkludert knusing, slag, kutt, skrubbsår og varme. Bruk passende hansker for å beskytte hendene.
- Brukere og vedlikeholdspersonell skal være fysisk i stand til å håndtere størrelse, vekt og kraften av verktøyet.
- Hold verktøyet korrekt, vær forberedt på å motvirke normale eller plutselige bevegelser og ha begge hender tilgjengelige.
- Hold håndtakene på verktøyet tørre, rene og fri for olje og fett.
- Hold en god, balansert kroppsstilling og godt fotfeste ved bruk av verktøyet.
- Slipp start/stopp innretningen ved brudd på hydraulikkforsyningen.
- Bruk bare smøremidler som er anbefalt av produsenten.
- Kontakt med hydraulisk væske skal unngås. For å minske muligheten for utslett, skal du passe på å vaske huden grundig hvis kontakt oppstår.
- Sikkerhetsdatablad for alle hydrauliske oljer og smøremidler er tilgjengelig fra din verktøyleverandør på forespørsel.
- Unngå uegnede kroppsposisjoner, da det er sannsynlig at slike posisjoner ikke lar deg motvirke normale eller uventede bevegelser på verktøyet.
- Dersom verktøyet er festet i et oppheng, pass på at det er godt festet.
- Vær oppmerksom på risikoen for knusing eller kniping dersom neseutstyr ikke er satt på.
- IKKE bruk verktøyet med nesehuset tatt av.
- Det må være tilstrekkelig klaring fra verktøybrukerens hender før du går videre.
- Når du bærer verktøyet fra sted til sted, hold alltid hånden unna avtrekkeren for å unngå utilsiktet aktivering.
- IKKE bruk verktøyet feil ved å la det falle ned eller bruke det som hammer.
- Du må forsikre deg om at brukte kjerner ikke utgjør en fare.

1.4 FARE VED GJENTAKENDE BEVEGELSER

- Ved bruk av verktøyet kan brukeren oppleve ubehag i hender, armer, skuldre, nakke eller andre kroppsdelene.
- Ved bruk av verktøyet skal brukeren holde en komfortabel kroppsstilling og samtidig hole et stødig fotfeste og unngå klønete eller ubalanserte stillinger. Brukeren bør sørge for å skifte stilling under langvarige jobber, det hjelper til med å unngå ubehag og utmattelse.
- Dersom brukeren opplever symptomer som varig eller gjentakende ubehag, smerte, bankende, verkende, prikkende, følelseløshet, brennende følelser eller stivhet, skal slike varseltegn ikke ignoreres. Brukeren skal informere arbeidsgiver og søke kvalifisert medisinsk råd.

1.5 FARE VED TILBEHØR

- Koble fra verktøyet fra luftforsyning før montering eller demontering av nesemodul eller tilbehør.
- Bruk kun størrelse og type av tilbehør og forbruksartikler som anbefalt av verktøyprodusenten, ikke bruk andre typer eller størrelser av tilbehør eller forbruksartikler.

1.6 FARE VED ARBEIDSPLASSEN

- Hovedårsakene til arbeidsulykker er å skli, snuble og falle. Vær oppmerksom på glatte flater som skyldes bruk av verktøyet og fare for å snuble i luftledning eller hydraulikkslange.
- Vær forsiktig i ukjente omgivelser. Det kan være skjule farer så som elektriske ledninger eller andre infrastrukturlinjer.
- Verktøyet er ikke ment for bruk i potensielt eksplosive atmosfærer og er ikke isolert mot kontakt med elektrisk strøm.
- Forsikre deg om at ingen elektriske kabler, gassrør og lignende som kan utgjøre en fare dersom de skades av verktøyet.
- Kle deg korrekt. Ikke ha på deg løstsittende klær eller smykker. Hold hår, antrekk og hansker borte fra bevegelige deler. Løstsittende antrekk, smykker eller langt hår kan bli fanget opp av bevegelige deler.
- Du må forsikre deg om at brukte kjerner ikke utgjør en fare.

1.7 FARE VED STØY


- Å utsettes for høyt støynivå kan føre til permanent, invalidiserende hørselstap og andre problemer som tinnitus (ringing, summing, plystring eller surring i ørene). Derfor er det viktig med risikovurdering og innføring av passende kontroller for slik fare.
- Passende kontroller for å redusere risikoen kan inkludere tiltak som lyddempende materialer for å hindre "ringing" i arbeidsstykken.
- Bruk hørselsvern i samsvar med arbeidsgiverens anvisninger og som pålagt i HMS-reglene.
- Bruk og vedlikehold verktøyet som anbefalt i bruksanvisningen for å forhindre økt støynivå.

1.8 FARE VED VIBRASJONER

- Eksponering for vibrasjoner kan føre til invalidiserende skader på nervene og blodforsyningen til hender og armer.
- Bruk varme klær ved arbeid i kalde omgivelser og hold hendene tørre og varme.
- Dersom du opplever nummenhet, prikking, smerte eller at huden blir hvit på fingrene eller hender, stopp bruken av verktøyet og søk medisinsk hjelp.
- Om mulig, avlast vekten av verktøyet ved hjelp av stativ, oppheng eller avbalansering, det er da lettere å holde verktøyet.

1.9 EKSTRA SIKKERHETSANVISNINGER FOR PNEUMATISKE OG HYDRAULISKE VERKTØY

- Driftstrykket på trykkluften skal ikke overstige 7 bar (100 PSI).
- Luft under trykk kan føre til alvorlige personskader.
- La aldri verktøyet ligge uten tilsyn. Koble fra luftslange når verktøyet ikke brukes, før skifte av tilbehør eller når du foretar reparasjoner.
- IKKE la avluftsåpningen på kjernesamleren være rettet i retning av brukeren eller andre personer. Rett aldri luften mot deg selv eller andre.
- Piskende slanger kan føre til alvorlige personskader. Sjekk alltid at slanger og fittings ikke er skadet eller løse.
- Før bruk, inspiser luftledningene for skader. Alle koblinger skal sitte godt. Ikke la tunge gjenstander falle på slangene. Et skarpt slag kan føre til indre skader og føre til at slangen svikter før tiden.]
- Kald luft skal rettes unna hender.
- Når generelle dreiekoblinger (klokoblinger) brukes, skal det installeres låsepinner og det skal brukes piskestoppende sikkerhetswire for å forhindre mulige koblingsfeil mellom slange og verktøy eller mellom ulike slanger.
- IKKE løft verktøyet etter slangen. Bruk alltid håndtaket på nagleverktøyet.
- Ventilasjonsåpningene skal ikke blokkeres eller dekkes til.
- Hold smuss og fremmedlegemer ute av hydraulikksystemet, det kan føre til at verktøyet feiler.
- Olje under trykk kan føre til alvorlige personskader.
- Inspiser hydraulikkslangene for skade før bruk. Alle hydrauliske koblinger skal være rene, godt låste og tette før bruk. Ikke la tunge gjenstander falle på slangene. Et skarpt slag kan føre til indre skader og føre til at slangen svikter før tiden.
- IKKE trekk i eller beveg forsterkerenheten hydraulikkpumpen ved hjelp av slangene. Bruk alltid enhetens håndtak.
- Bruk bare ren olje og påfyllingsutstyr.
- Bruk bare anbefalte hydraulikkvæsker.
- Makimal temperatur av hydraulikkvæsken på inntaket er 100 °C (212 °F).

 **ADVARSEL:** Selv om små mengder slitasje og merker oppstår naturlig gjennom normal og korrekt bruk av dorer, må de inspiseres regelmessig for overdreven slitasje og merker, med spesiell oppmerksomhet til hodediameteren, halegripeområdet og hard slitasje på skaftet og eventuell forvrengning av doren. Dor som feiler under bruk kan bli tvunget ut av verktøyet. Det er kundens ansvar å sikre at dor skiftes ut før overdrevne nivåer av slitasje oppstår og alltid før maksimalt anbefalt antall nagleplasseringer. Kontakt din STANLEY Engineered Fastening representant som vil fortelle deg hva maksimumsgrensen er ved å måle grensenlasten til din applikasjon med et kalibreringsverktøy.

STANLEY Engineered Fastenings policy er å drive kontinuerlig produktutvikling og forbedringer, og vi forbeholder oss retten til å endre spesifikasjonene for alle produkter uten forhåndsvarsel.

2. SPESIFIKASJONER

2.1 SPESIFIKASJON FOR 07536-VERKTØY

Lufttrykk	Minimum - maksimum	5-7 bar (70-100 lbf/in ²)
Fritt luftvolum nødvendig	@ 5,1 bar /75 lbf/in ²	2,6 litres (0,09 ft ³)
Slaglengde	Minimum	25 mm (1 in)
Trekkraft	@ 5,5 bar /80 lbf/in ²	3,89 kN (875 lbf)
Syklustid	Omtrent	1 sekund
Vekt	Pistol	1,2 kg (2,64 pund)

2.2 SPESIFIKASJON FOR 07531-FORSTERKER

Lufttrykk	Minimum - maksimum	5-7 bar (70-100 lbf/in ²)
Forsterkningsforhold		32:1

Støyverdier bestemt i samsvar med teststandard for støy i ISO 15744 og ISO 3744.		07536
A-vektet lydeffektnivå dB(A), L _{WA}	Usikkerhet lyd: k _{WA} = 2,3 dB(A)	79,5 dB(A)
A-vektet avgitt lydtryknivå på arbeidsstedet dB(A), L _{PA}	Usikkerhet lyd: k _{PA} = 2,3 dB(A)	68,5 dB(A)
C-vektet topp lydtryknivå dB(C), L _{PC'} topp	Usikkerhet lyd: k _{PC} = 2,5 dB(C)	96,9 dB(C)
Vibrasjonsverdier bestemt i samsvar med teststandard for vibrasjoner i ISO 20643 og ISO 5349.		07536
Vibrasjonsutslippsnivå, a _{hd} :	Usikkerhet vibrasjon: k = 0,25 m/s ²	0,97 m/s ²
Erklærte vibrasjonsutslippsverdier i samsvar med EN 12096		

3. BRUKSFORMÅL

Det pneumatiske verktøyet 07536 er et lettvekts håndholdt verktøy designet for plassering av 1/16" Avlug®, som gjør det perfekt for serieproduksjon innen ulike områder i mange bransjer.

Det manuelle verktøyet og forsterkeren er testet både som separate deler og kombinert. De skal brukes sammen og ikke for andre formål. Se "Ta i bruk" på side 255–258 for informasjon om tilkobling.

Delenummere er vist for bestilling av et komplett verktøy, men ikke neseutstyr.

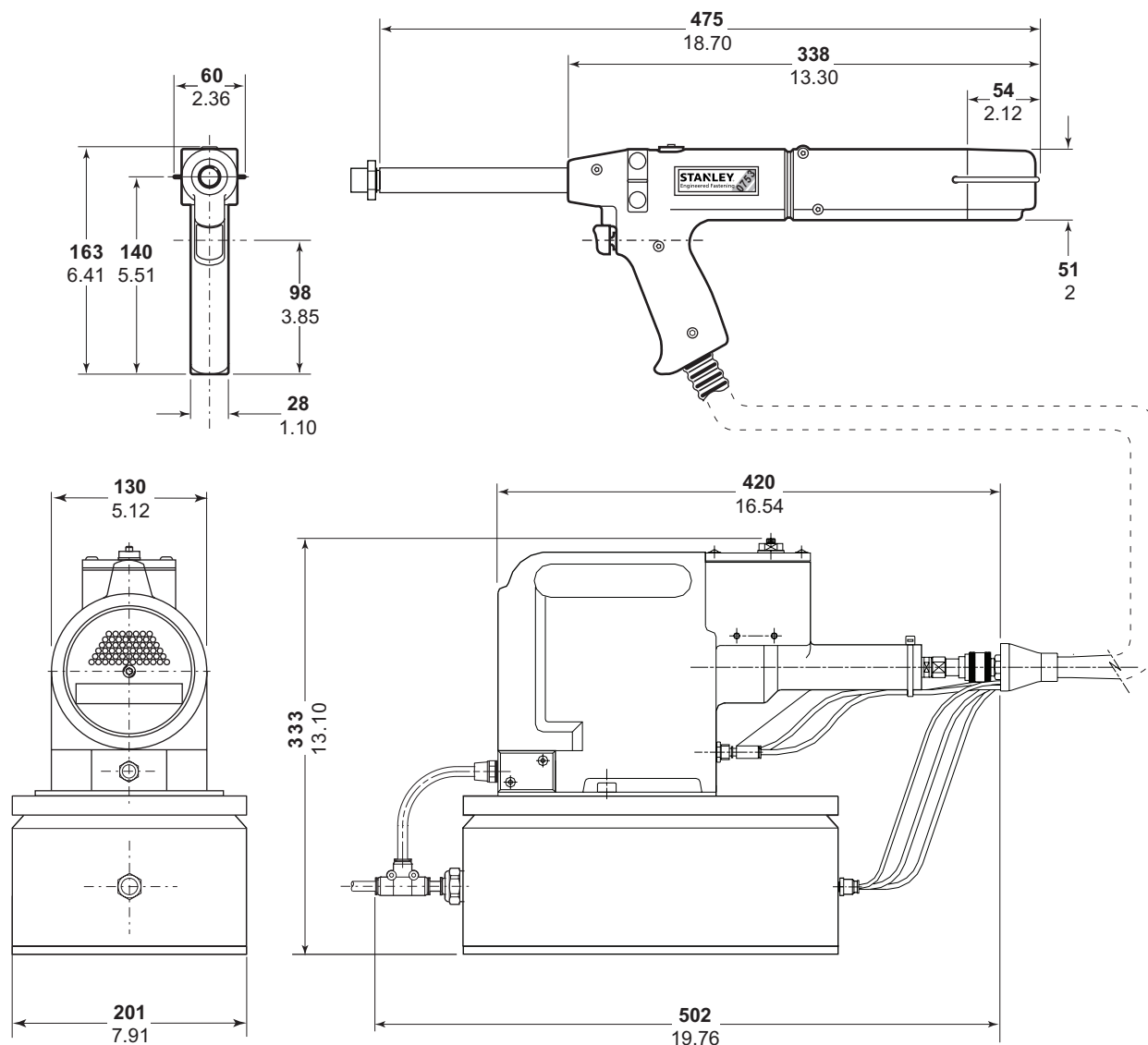
Verktøynummeret til 07536 modellen er 07536–02200.

Se generell montering på side 261-268.

SKAL IKKE brukes under våte forhold eller ved nærvær av brennbare væsker eller gasser.

3.1 VERKTØYMÅL – MODELL 07536

Delenummer 07536–02100



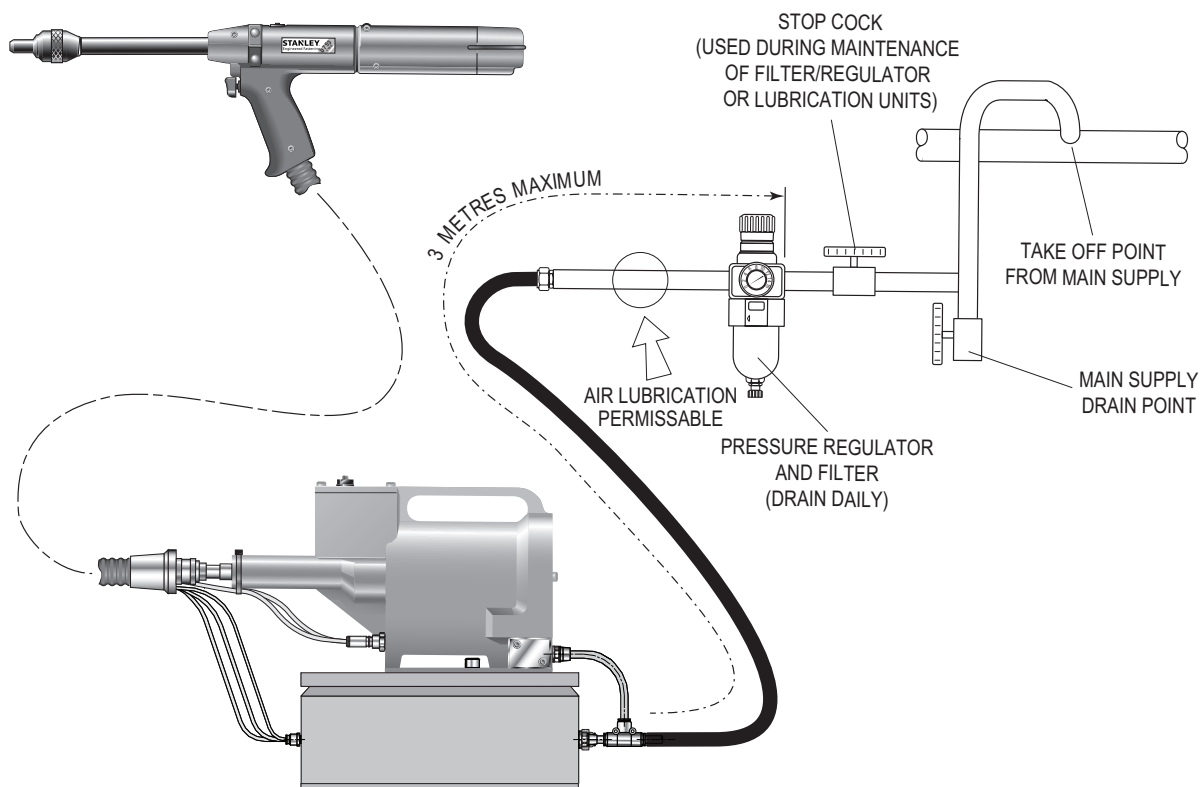
Dimensjoner i mm.

4. TA I BRUK

4.1 LUFTFORSYNING

Alle verktøy drives med trykkluft ved optimalt trykk på 5,5 bar. Vi anbefaler at det brukes trykkregulatorer og automatisk luftsmørg/filtrering på hovedluftforsyningen. For å sørge for at verktøyet varer så lenge som mulig og trenger så lite vedlikehold som mulig, bør de monteres innenfor tre meter fra verktøyet (se diagrammet under).

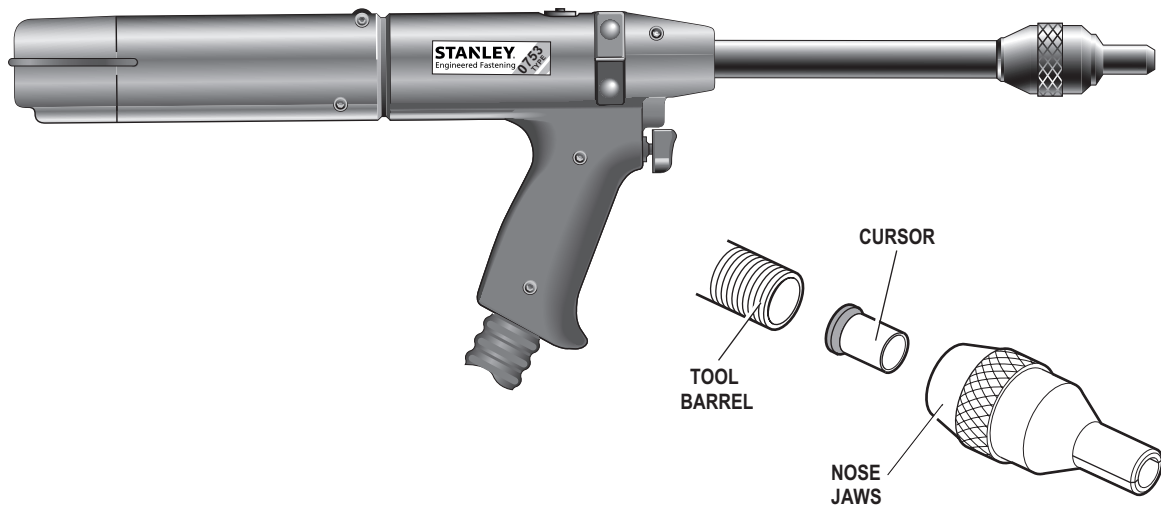
Luftforsynings slangene skal ha spesifisert minimum effektivt arbeidstrykk på 150 % av det maksimale trykket som produseres i systemet eller 10 bar, velg det høyeste. Luftslangene skal være oljeresistente, ha et røpefast ytre belegg og være armerte der driftsforholdene kan føre til at slangene skades. Alle luftforsynings slangene MÅ ha minimum indre diameter på 6,4 millimeter eller 1/4 tomme.



Følg trinnene under når du kobler verktøyet til forsterkeren og hovedluftforsyningen:

- Trykk enden av den store hydraulikkslangen fra verktøyet inn i hurtigkoblingen i enden av forsterkeren.
- På fronten av forsterkeren (Se side 261):
 - Skyv den blå pneumatiske (4 mm OD) slangen inn i reduksjonsfittingen på venstre plate-koblingen.
 - Skyv den svarte pneumatiske (4 mm OD) slangen inn i plasthylsen på høyre plate-kobling.
- På fronten av kontrollboksen (Se side 261):
 - Skyv den sølvfargede pneumatiske (3 mm OD) slangen inn i reduksjonsfittingen merket «Cursor» på forsiden av kontrollboksen – venstre-side.
 - Skyv den grønne pneumatiske (4 mm OD) slangen inn i reduksjonsfittingen merket «Tail Jaws» på forsiden av kontrollboksen – midten.
 - Skyv den hvite pneumatiske (4 mm OD) slangen inn i reduksjonsfittingen merket «Signal» på forsiden av kontrollboksen – høyre side.
- Sett en pneumatikkslange mellom hann-kontakten på baksiden av forsterker og hovedluftforsyning.

4.2 LUFTFØRINGER



Lufføringsvalg

Se eget datablad 07900-00863 for komponenter til nesemontasje.

FØRING

VIKTIG

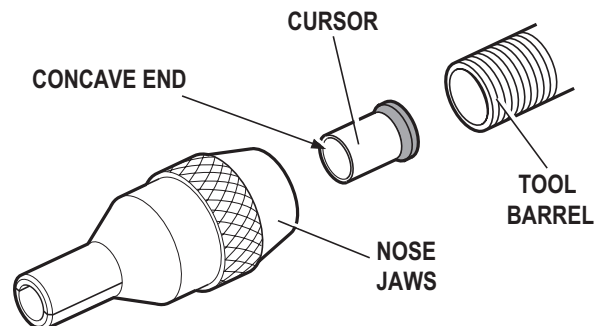
Dersom den monteres feil, vil det gjøre at føringen ikke muliggjør lasting av verktøyet og mating av festerne.

Selv om føringen er montert den riktige veien når verktøyet leveres, anbefaler vi at du kontrollerer plasseringen før du monterer på neseutstyr. Den lett konkave enden på føringen skal peke mot fronten på verktøyet som vist i illustrasjonen.

For å reversere plasseringen av føringen, følg disse trinnene:

Det må utvises ekstrem forsiktighet når følgende prosedyre utføres. Vær forsiktig slik at du unngår løpet og utstikkende dor.

- Ta av nesemontasjen hvis det er en.
- Sett inn et tomt dor helt inn i verktøyet.
- Lukk halekjevne **32**, ved å slå på halekjevnebryteren (del **18** og **19**).
- Føringen vil komme ut av løpet etter en kort forsinkelse.
- Åpne halekjevne **32**, ved å slå av halekjevnebryteren (del **18** og **19**), dette vil utløse doren.
- Ta ut føringen fra doren og sett inn føringen i løpet.



4.3 LADE OG OMLADE VERKTØYET

VIKTIG

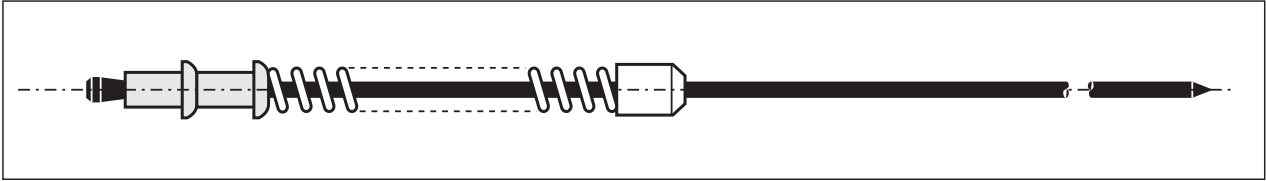
Prosedyren for lading av verktøyet og for påsetting av neseutstyr foretas i sammenheng.

Ved bestilling av et komplett verktøy eller system vil du vanligvis få alt neseutstyr som trengs for naglene du skal montere.

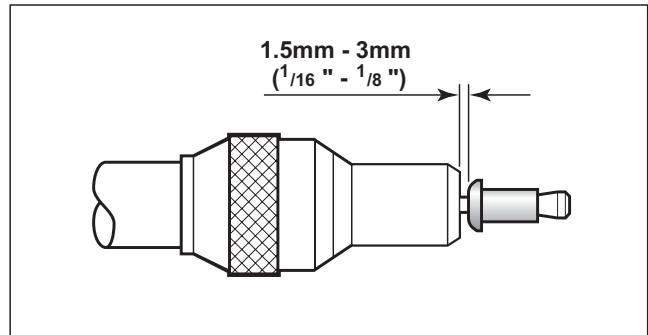
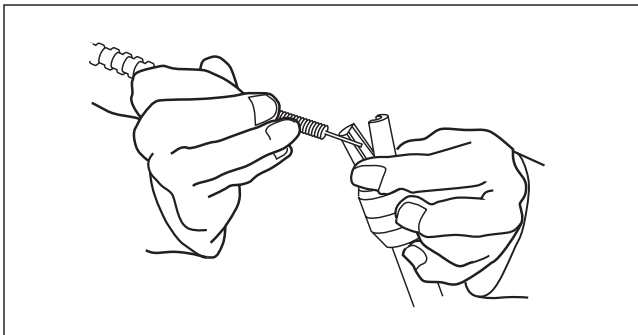
Dersom du har fått levert en nesekjeve, dorer og dorfølgerfjærer, fortsett med lading av verktøyet og monter nesekjeve som vist nedenfor.

Lade verktøyet

- Koble luftforsyning til verktøyet.
- Åpne halekjevne **32** som holder fast i doren ved å slå av halekjevnebryteren (del **18** og **19**).
- Skru valgte nesekjever på løpet **44** på verktøyet.
- Sett inn en dor i bakenden av naglene gjennom papirhylsen.
- Skyv dorfølgerfjæren inn på doren og sikre korrekt plassering.



- Grip bakenden av doren, riv av papirhylsen som ligger rundt naglene.
- Åpne nesekjevne enten ved å rotere den ytre ringen på knastdrevne kjeve eller ved å skyve utover på kjeftendene som vist under til venstre.
- Sett inn tidligere monterte doren, dorfølgefjæren og nagler inn i nesekjevne til første nagle som skal monteres stikker ut av nesekjevne.
- Lukk nesekjevne og juster slik at første nagle stikker ut med 1,5 mm - 3 mm ($1/16''$ to $1/8''$), som vist i illustrasjonen under til høyre.
- Lukk halekjevne **32** for å sikre at doren holdes fast ved å slå av halekjevnebryteren (del **18** og **19**).

**Lade verktøyet på nytt**

- Åpne halekjevne **32** til verktøyet ved å slå av halekjevne (del **18** og **19**).
- Åpne nesekjeve og trekk tom dor og dorfølgefjær ut av verktøyet.
- Lad om verktøyet ved å følge anvisningene over, fra trinn •*.

Stille inn verktøyet – kun justerbare nesemontasjer

Sett inn den tidligere sammensatte doren (se Legge inn verktøyet •*) eller engangsdoren mot stoppet i halekjevstempleet **60**.

Mens du holder i doren, lukker du halekjevne **32**, som holder fast i doren, ved å skru på halekjevnebryteren (del **18** og **19**).

Skru låsemutteren på løpet **44** på verktøyet.

Roter nesemontasjen på løpet **44**.

Juster nesemontasjen slik at det første festet stikker ut med 1,5 mm - 3 mm ($1/16''$ til $1/8''$), som vist i illustrasjonen på side 257.

Stram til låsemutrene mot nesemontasjen for å hindre at nesekjevemontasjen fra å bevege seg.

Lade verktøyet på nytt

Åpne halekjevne til verktøyet ved å slå av halekjevnebryteren (**18-19**).

Åpne kjevne og trekk tom dor og dorfølgefjær ut av verktøyet.

Sett inn den nye doren mot stoppen i verktøyet, og lukk halekjevne **32**, som holder fast i doren, ved å skru på halekjevnebryteren (del **18** og **19**).

Lukk halekjevne **32**.

4.4 BRUKSPROSEDYRE**VIKTIG**

Du må sjekke at føringens retning og neseutstyret er korrekt før du bruker verktøyet.

- Skyv naglen som stikker ut av kjeven foran helt inn i hullene i arbeidsstykket og pass på at verktøyet ligger rett.
- Trykk på avtrekkeren uten å slippe – dorhodet trekkes gjennom naglen og former naglen inn i arbeidsstykket.
- Fjerne verktøyet.
- Slipp avtrekkeren. Neste nagle vil nå automatisk stikke ut av nesekjeven klar for montering.

5. SERVICE PÅ VERKTØYET

Regelmessig vedlikehold skal utføres av opplært personell og et omfattende ettersyn skal gjøres hvert år eller etter 500 000 sykluser, etter hva som inntreer først.

VIKTIG

Arbeidsgiveren er ansvarlig for å sikre at verktøyets vedlikeholdsanvisninger gis til det aktuelle personellet. Brukeren skal ikke delta i vedlikehold eller reparasjon av verktøyet dersom han/hun ikke har ordentlig opplæring.

5.1 PNEUMATISK KONTROLLBOKS

VIKTIG

Den pneumatiske boksen må ikke under noen omstendigheter åpnes. Boksen er en lukket gjenstand. De interne justeringene er forhåndsinnstilt og må ikke endres eller tukles med. Bare STANLEY-autoriserte teknikere kan demontere denne kontrollboksen.



FORSIKTIG: Aldri bruk oppløsningsmidler eller andre sterke kjemikalier for rengjøring av ikke-metalliske deler av verktøyet. Disse kjemikaliene kan svekke materialene brukt i disse delene.

5.2 DAGLIG

- Daglig, før første gangs bruk eller når verktøyet tas i bruk. Påfør noen dråper ren, lett smøreolje i luftinntaket på forsterkeren - dersom det ikke er smøreenhet montert på luftforsyningen. Dersom verktøyet er i kontinuerlig bruk, bør luftslangen kobles fra luftforsyningen og verktøyet smøres hver annen eller tredje time.
- Sjekk for luft- og/eller oljelekkasje. Slitte eller skadede slanger og koblinger skal skiftes ut.
- Dersom det ikke er montert filter på trykkregulatoren, blås ut luftslangen for å rense den for oppsamlet smuss eller vann før du kobler slangen til forsterkeren. Hvis det finnes et filter skal du drenere det.
- Sjekk at det er korrekt neseutstyr.
- Sjekk dorer regelmessig for tegn på slitasje eller skade, og hold rede på antall monteringer (les sikkerhetsanvisningene på side 250-252).

5.3 UKENTLIG

- Gjennomfør full "Daglig" prosedyre som beskrevet over.
- Ta av, inspiser og smøre halekjevver (se "Halekjevvesylinder" i "Vedlikeholdsdel" på side 262).
- Sjekk at oljenivået i forsterkerenheten er omtrent 12 mm (1/2 tommer) under den gjennomsiktige dekkplaten.

5.4 MOLYLITHIUM SMØREFETT EP 3753 – SIKKERHETSDATA

Smørefett kan bestilles som en enkel artikkel, kan du se delenummeret på side av servicesettet 260.

Førstehjelp

HUD:

Siden smørefettet er helt motstandsdyktig mot vann, er det best å fjerne det ved hjelp av et godkjent emulgerende hudrensemiddel.

SVELGING:

Forsikre deg om at personen drikker 30 ml "Magnesia" (magnesiumkarbonat), helst i et glass melk.

ØYNE:

Irriterende men ikke skadelig. Skyll med vann og søk medisinsk hjelp.

Brann

FLAMMEPUNKT: Over 220°C.

Ikke klassifisert som brannfarlig.

Egnede slokkingsmidler: CO₂, Halon eller vanntåke dersom påført ved hjelp av en erfaren operatør.

Miljø

Samle opp for brenning eller avhending på godkjent mottakssted.

Håndtering

Bruk barrierekrem eller oljebestandige hansker.

Lagring

Unna varme og oksiderende stoffer.

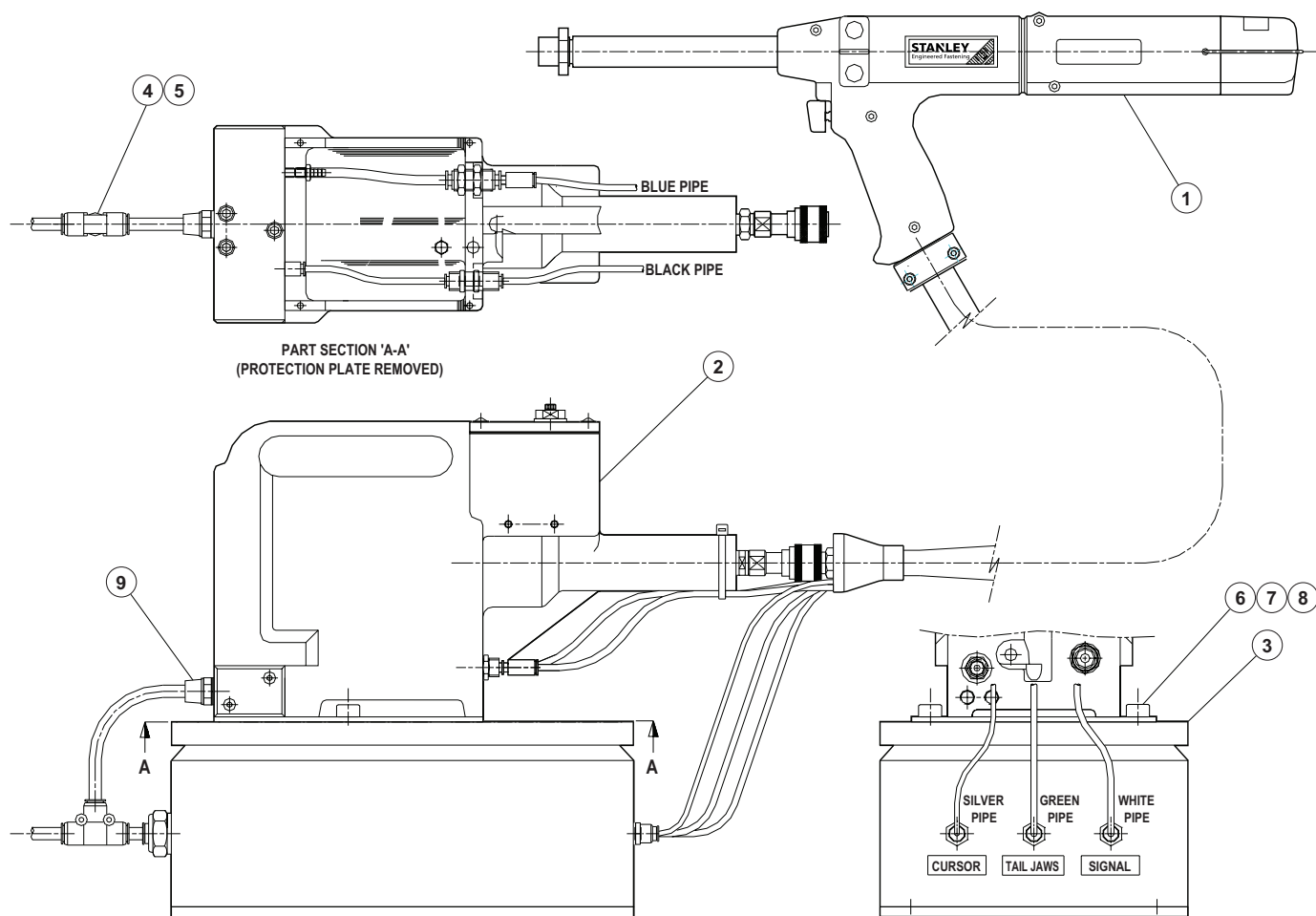
5.5 SERVICESETT

For all service anbefaler vi bruk av servicesettet (delenummer 07900--05300).

SERVICESETT					
DELENUMMER	BESKRIVELSE	ANTALL	DELENUMMER	BESKRIVELSE	ANTALL
07900-00157	TENGER FOR SIKRINGSRINGER	1	07900-00352	KROK FOR Å FJERNE PAKNING	1
07900-00006	SPATEL	1	07900-00710	LØPSPLUGGENS FJERNENØKKE	1
07900-00446	UTTREKKER	1	07900-00725	KULE	1
07900-00603	SKRUSTIKKEJEVE FOR LØP	1	07900-00243	SKRUTREKKER	1
07900-00520	3/8" STANG	1	07900-00717	FORSTERKERNØKKE	1
07900-00521	1/4" STANG	1	07900-00013	1/8" UNBRAKONØKKE	1
07900-00602	O-RING MONTERINGSKULE	1	07900-00617	LOCTITE® MULTI-GASKET 574 50 ml-PAKKE	1
07900-00595	18 mm NØKKE	1	07900-00469	2,5 mm UNBRAKONØKKE	1
07900-00434	32 mm NØKKE	1	07900-00351	3 mm UNBRAKONØKKE	1
07900-00237	3/8" × 5/16" B.S.W. NØKKE	1	07900-00224	4 mm UNBRAKONØKKE	1
07900-00012	9/16" × 5/8" NØKKE	1	07900-00225	5 mm UNBRAKONØKKE	1
07900-00008	7/16" × 1/2" NØKKE	1	07992-00020	80 g TINN MOLYLITUM SMØREFETT EP 3753	1

Merk: Nøkkeldimensjoner er målt "mellom kantene" så fremt ikke annet er angitt.

5.6 LUFTFØRINGSVERKTØY, FORSTERKER OG KONTROLLBOKSMONTERING 07536-02100



PUNKT	DELENR	BESKRIVELSE	Nr. AV
1	07536-02200	LUFTFØRINGSHÅNDVERKTØY	1
2	07531-02200	FORSTERKERVERKTØY	1
3	07007-02024	LUFTFØRINGSKONTROLLBOKS	1
4	07005-10071	T-KOBLING	1
5	07005-10072	8 MM RØR (2,50 m)	1
6	74405-12080	MODIFISERT M8 NUTSERT	8
7	07001-00469	M8 × 15 SYLINDERSKRUER TIL SEKSKANTHULL	2
8	07002-00105	M8-PAKNING	4
9	07005-01573	HANNKONNEKTOR TIL 8 MM RØR	1
10	07005-01977	HANN-/HUNNREDUSERER 6 MM / 4 MM	1

6. VEDLIKEHOLD

Etter 500 000 sykluser skal verktøyet demonteres fullstendig og nye komponenter settes inn ved slitasje, skader eller dersom anbefalt. Alle o-ringer og pakninger skal skiftes og smøres med molytium smørefett EP 3753 før montering.

VIKTIG

Sikkerhetsanvisningene ser du på side 4.

Arbeidsgiveren er ansvarlig for å sikre at verktøyets vedlikeholdsanvisninger gis til det aktuelle personellet. Brukeren skal ikke delta i vedlikehold eller reparasjon av verktøyet dersom han/hun ikke har ordentlig opplæring.

Luftslangen skal kobles fra før service eller demontering så fremt ikke annet er angitt.

Det anbefales at all demontering utføres i rene omgivelser.

Før verktøyet demonteres, må du fjerne neseutstyret.

For å utføre en total service på verktøyet anbefaler vi at du demonterer moduler i rekkefølgen som vises under, etter at du ha koblet den hydrauliske slangen fra forsterkerenheten og kontrollboksen, slik at pistolenheten er separert fra forsterkerenheten.

Potensielt farlige stoffer som kan være avsatt på maskinen som følge av arbeidsprosessene skal fjernes før vedlikehold.

6.1 DEMONTERE 07536-02200

HALEKJEVESYLINDER

- Vend festeklips **53** opp manuelt og fjern endehetten **59**.
- Bruk en unbrakonøkkel* til å fjerne én skrue **6**, og sørg for at fanget luft i halekjevesynderen slippes ut. Fjern den andre sylinderskruen **6**.
- Dra ut bakre plugg **50**. **Merk:** For å hjelpe uttrekket er det en 5 mm gjenge på baksiden av pluggen.
- Ta ut komponentene til luftkjevehuset. Dette består av stempelmodulen for halekjevven **60**, stopp **52**, O-ring **12** og kjeve **32**.
- Ta ut de gjenværende komponentene. Dette består av fjær **36** og kjevhus **42**.
- Den frie lengden til fjær **36** bør være 38,1 mm (1,5 tommer). Skift ut om nødvendig.
- Fjern stempelmontasjetetningen, O-ring **11**.
- Koble fra luftføringens uttrekkbare rør (grønt) **49** fra albuekobling **22**.
- Koble fra luftføringens uttrekkbare rør (sølvfarget) **38** fra piggalbuen **30**.
- Bruk en unbrakonøkkel* til å fjerne alle fem skruene **3**, **4** og alle de fire mutterne **8** som fester håndtaksstøpingen fra håndtaket til verktøyet.
- Hold løpet **44** med en skrustikke med myke kjeve for å unngå skade.
- Bruk en pipenøkkel* til å skru løs løpspluggen **46**, og unngå at løpet **44** svinger ved å bruke en fastnøkkel*.
- Trekk halekjevesynderen **47** fra verktøyet.
- Fjern o-ringen **14**, beskyttelsesstripen **41** og returkjæren til løpet **37**.
- Tildekk fronten til halekjevvene **32** med molytiumsmurning, i kontakt med kjevhuset **42** før montering.
- Sett sammen i motsatt rekkefølge av demonteringen.

HYDRAULIKKSTEMPEL

- Fjern halekjevesynderen **47**, som beskrevet tidligere.
- Hold kroppen **45** med en skrustikke med myke kjeve for å unngå skade, og løsne slaglengdebegrenseren **40**.
- Bruk en unbrakonøkkel* til å løsne skrue **5** som klemmer bryterblokk **54** til løp **44**.

* Henviser til deler som er inkludert i servicesettet til 0753 MkII. Se side 260 for en komplett liste.

Uthevede delenummer viser til den overordnede monterings tegningen og delelisten på side 264-265.

- Hold verktøyet godt og trekk løp **44** fra innkapsling **45** (litt hydraulikkolje vil kanskje sprute utfra innsiden av hodeenheten).
- Fjern stampelet **39** forsiktig for ikke å skade innsiden av toppen.
- Fjern pakningen **16**.
- Pakningen **17** er vanskelig å ta av uten å skade den, men kan forbli på plass under rengjøringen (så lenge den ikke påvirkes av rengjøringsprosessen). Hvis pakningen **17** må fornyes, må du gjøre det følgende:
- Bruk en spatel til å bryte opp pakningen **17** fra kroppen **45**. Vær forsiktig slik at du ikke skader borehullene og åpningene i kroppen. Pakningen **17** du tar ut, MÅ kastes.
- For å erstatte tetning **17** skrus tømmepluggmontasje **43** til innvendig front er på nivå med det interne boret til innkapsling **45**. Dette gjør at du lett kan sette inn en ny pakning **17** gjennom baksiden av kroppen **45**.
- Sørg for at tetning **17** er godt smurt og står med riktig vei ut – med den åpne siden av pakningen vendt mot de bakre halekjevne.
- Fullfør monteringen i motsatt rekkefølge av demonteringen.

AVTREKKERMODUL

- For demontering og service av modulen, ta dekslene av verktøyet som beskrevet over.
- Koble alle luftslinger fra modulen, og pass på å ikke skade dem. Fjern modulen.
- Bruk en nøkkel*, skru ut og ta av holderen **34**. Ta vare på fjæren **31**.
- Vipp av O-ringen **10** og pass på å ikke skade setene på spindelen **35** og på holderen **34**.
- Rengjør og sett sammen igjen med en ny o-ring **10**.
- Sjekk lengden av fjæren **31** som skal ha 12,7mm (0,5") fri lengde – skift ut om nødvendig.
- Sett sammen i motsatt rekkefølge av demonteringen.

AV/PÅ-VENTIL FOR HALEKJEVE

- Enheten er designet slik at det kreves minst mulig service i løpet av brukstiden til verktøyet.
- Hvis det er nødvendig å demontere ventilen, følg disse trinnene:
- Fjern utløserhuset **56**, som beskrevet i avsnittet «Hydraulisk stempel».
- Bruk en skrutrekker* til forsiktig å fjerne Starlock-skiven i krom **18** fra spolen til lufthalekjeven **55**, og kast skiven.
- Ta spolen til lufthalekjeven **55** ut av bryterblokken **54**.
- Pass på at du ikke skader spolen til lufthalekjeven **55** og fjern o-ringene **12**.
- Rengjør spolen og sett o-ringene **12** på plass igjen med modulkulen* og sett dem inn i bryterblokken **54**, legg merke til retning.
- Sett den nye Starlock-skiven i krom **18** inn ved å klemme den i en skrustikke for å unngå skade. IKKE BRUK MAKT.
- Fullfør monteringen i motsatt rekkefølge av demonteringen.

HÅNDTAK OG ENDEHETTE

- Rengjør og inspiser de støpte delene etter sprekker eller annen skade.

FØRING

- Fra tid til annen bør du rengjøre og olje føringsmodulen med litt lett olje.

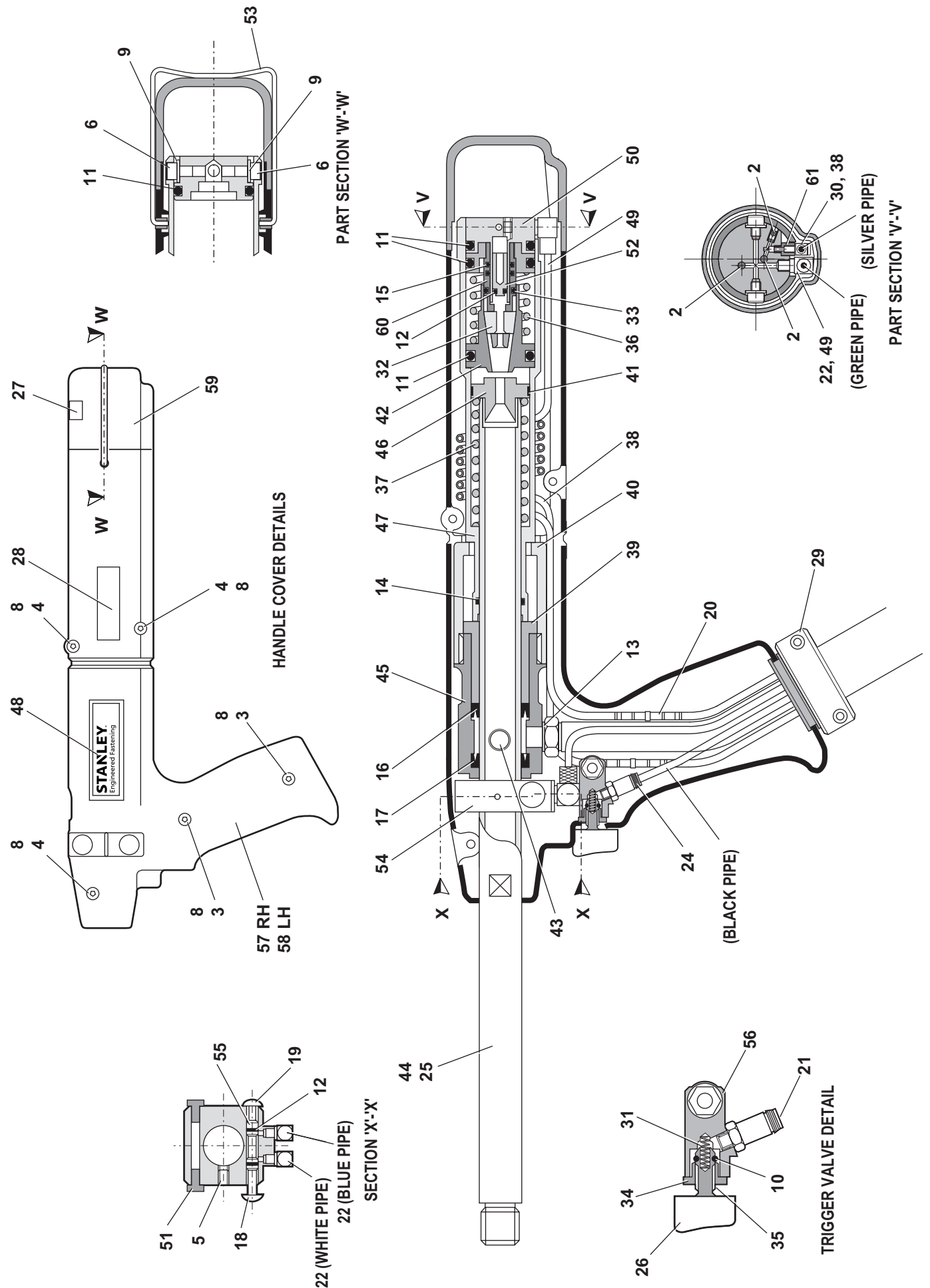
VIKTIG

**Sjekk verktøyet mot daglige og ukentlige serviceprosedyrer.
Nytt oppsett (priming) skal ALLTID gjennomføres etter at verktøyet har vært demontert og før ny bruk.**

* Henviser til deler som er inkludert i servicesettet til 0753 MkII. Se side 260 for en komplett liste.

Uthevede delenummer viser til den overordnede monteringsstegningen og delelisten på side 264-265.

6.2 GENERELL MONTERING AV GRUNNVERKTØYET 07536--02200



6.3 DELELISTE FOR GRUNNVERKTØY 07536--02200

07536-02200 LISTER OVER DELER											
PUNKT	DELENR.	BESKRIVELSE	ANT. RESERVEDELER	PUNKT	DELENR.	BESKRIVELSE	ANT. RESERVEDELER	PUNKT	DELENR.	BESKRIVELSE	ANT. RESERVEDELER
1	07007-00392	KABELBINDER (IKKE VIST)	1	-	07220-00803	HOLDER	1	34	07220-00803	HOLDER	1
2	07001-00499	M3 x 5 LANGE SKRUE TIL SYLINDERSETT	3	-	07241-00208	SPINDEL	1	35	07241-00208	SPINDEL	1
3	07001-00262	M4 x 22 LANGE SYLINDERSKRUE TIL SEKSKANTHULL	1	-	07154-00404	FJÆR	1	36	07154-00404	FJÆR	1
4	07001-00401	M4 x 10 LANGE SYLINDERSKRUE TIL SEKSKANTHULL	4	-	07490-03002	RETURSPRING I LØP	1	37	07490-03002	RETURSPRING I LØP	1
5	07001-00404	M5 x 6 LANGE SKRUE TIL SEKSKANTHULLSETT	1	-	07536-02211	3 MM LUFFTØRING CON-CERTINA-RØR - SØLVFARGET	1	38	07536-02211	3 MM LUFFTØRING CON-CERTINA-RØR - SØLVFARGET	1
6	07001-00504	M4 x 6 LANGE SYLINDERSKRUE TIL SEKSKANTHULL	2	2	07536-00203	STEMPEL	1	39	07536-00203	STEMPEL	1
7					07530-00204	SLAGLENDEBEGRENSER	1	40	07530-00204	SLAGLENDEBEGRENSER	1
8	07002-00134	M4 SEKSKANTMUTTER	4	-	07530-00206	BESKYTTELSESSTRIPE	1	41	07530-00206	BESKYTTELSESSTRIPE	1
9	07002-00153	M4-SKIVE [PLAST]	2	-	07536-00208	KJEVEHUS	1	42	07536-00208	KJEVEHUS	1
10	07003-00022	O-RING	1	-	07530-00500	MODUL FOR LUFFTEPLUGG [DEL 62 TIL 65]	1	43	07530-00500	MODUL FOR LUFFTEPLUGG [DEL 62 TIL 65]	1
11	07003-00113	O-RING	3	3	07536-02201	LØP	1	44	07536-02201	LØP	1
12	07003-00121	O-RING	3	3	07530-02202	KROPP	1	45	07530-02202	KROPP	1
13	07003-00142	1/8 TOMME BSP DOWTY-PAKNING	1	1	07530-02205	LØPSPLUGG	1	46	07530-02205	LØPSPLUGG	1
14	07003-00167	O-RING	1	1	07536-02207	HALEKJEVESYLINDER	1	47	07536-02207	HALEKJEVESYLINDER	1
15	07003-00386	O-RING	2	-	07530-02210	ETIKETT	2	48	07530-02210	ETIKETT	2
16	07003-00236	PAKNING [DYNAMISK]	1	1	07536-02212	4 MM LUFFTØRING CON-CERTINA-RØR - Grønn	1	49	07536-02212	4 MM LUFFTØRING CON-CERTINA-RØR - Grønn	1
17	07003-00237	PAKNING [STATISK]	1	-	07536-02213	BAKRE PLUGG	1	50	07536-02213	BAKRE PLUGG	1
18	07004-00058	1/8 TOMME STARLOCK-SKIVE, KROM	1	-	07530-00310	BLINDPLUGG	2	51	07530-00310	BLINDPLUGG	2
19	07004-00059	1/8 TOMME STARLOCK-SKIVE, SVART	1	-	07536-02214	STOPP	1	52	07536-02214	STOPP	1
20	07005-10073	3 MM KOBLING	1	-	07530-02220	KLIPS	1	53	07530-02220	KLIPS	1
21	07005-01357	FLENSTYPEKOBLING	1	-	07530-02301	BRYTERBLOKK	1	54	07530-02301	BRYTERBLOKK	1
22	07005-01571	ALBUKONTAKT	3	-	07530-02302	SPOLE FOR LUFTHALEKJEVE	1	55	07530-02302	SPOLE FOR LUFTHALEKJEVE	1
23	07536-02216	LÅSEMUTTER	1	-	07530-02311	AVTREKKERHUS	1	56	07530-02311	AVTREKKERHUS	1
24	07005-10074	2 MM KOBLING	1	-	07536-02601	HÅNDTAKSTØPING MONTASJE HØYRE SIDE	1	57	07536-02601	HÅNDTAKSTØPING MONTASJE HØYRE SIDE	1
25	07007-00017	STØVHETTE	1	-	07536-02602	HÅNDTAKSTØPING MONTASJE VENSTRE SIDE	1	58	07536-02602	HÅNDTAKSTØPING MONTASJE VENSTRE SIDE	1
26	07007-00300	AVTREKKER	1	-	07530-02603	ENDEHETTE	1	59	07530-02603	ENDEHETTE	1
27	73200-02022	SIKKERHETSETTIKETT	1	-	07536-02800	MONTASJE TIL HALEKJEVESTEMPEL	1	60	07536-02800	MONTASJE TIL HALEKJEVESTEMPEL	1
28	07007-01504	CE-ETIKETT	1	-	07536-02215	FITTINGADAPTER	1	61	07536-02215	FITTINGADAPTER	1
29	07008-00438	MONTASJE TIL FLEKSIBEL SLANGE	1	-	07003-00142	● BUNDET TETNING (IKKE VIST)	1	62	07003-00142	● BUNDET TETNING (IKKE VIST)	1
30	07005-01323	M3 PIGGALBUJE	1	-	07003-00194	● BUNDET TETNING (IKKE VIST)	1	63	07003-00194	● BUNDET TETNING (IKKE VIST)	1
31	07125-00215	FJÆR	1	-	07001-00442	● SKRUE (IKKE VIST)	1	64	07001-00442	● SKRUE (IKKE VIST)	1
32	07151-00403	HALEKJEVER	1	2	07530-00501	● PLUGG (IKKE VIST)	1	65	07530-00501	● PLUGG (IKKE VIST)	1
33	07003-00016	O-RING	1								

6.4 DEMONTERINGSANVISNINGER

- Ved demontering av forsterkeren, koble først fra luftforsyningsslangen på forsterkerens inngangskobling **22**.
- Bruk en unbrakonøkkel* for å ta av fire skruer **27** og ta av beskyttelsesplaten **24**.
- Løsne avtrekkeslangen **47** fra forsterkerventilen **43** eller **48** ved å trykke ned den ytre flensen og trekke ut slangen.
- Ta av blindplaten **4** og pakning **35** ved å ta av skruer **37** og skiver **36** ved hjelp av en unbrakonøkkel*.
- Forsikre deg om at pakningen ikke er skadet, den må tette godt ved ny montering.
- Snu forsterkermodulen og tapp av oljen fra reservoaret til en passende beholder.
- Ta av hurtigkoblingen **32** med kobling **31** og pakning **33** med passende nøkkel*.
- Ta av forsterkerventilen **43** eller **48** ved å ta av festeskruene med passende nøkkel, pass på å ta vare på o-ring **21** som du finner i kabinettet på forsterkeren.
- Ta av skruen **19** med en passende unbrakonøkkel* og ta av lydtemperdekslet **16**, lydtemperskum **15**, mellomstykke **18** og festeplate **20**.
- Trekk av 6 mm plastrør **41** fra vakuumkontaktene **42**.
- Fra bunnen av forsterkeren, sett inn en 3 mm unbrakonøkkel* i de to hullene og skru av vakuumkontaktene **42**. Merk:
 - Vær forsiktig, vakuumkontaktene er låst med Loctite® 574.
 - Dersom de er vanskelig å ta ut, kan vakuumkontaktene bores ut med en bor med diameter $\frac{3}{16}$ " eller 4,7 mm.
- For å sette på igjen vakuumkontaktene **42**, følge denne prosedyren: -
 - Fukte vakuumkontaktene med passende grunning, f.eks. Perma Bond A905
 - Drypp en dråpe Loctite® 574 i gjengehullet i forsterkeren.
 - Fra bunnen av forsterkeren, sett inn unbrakonøkkelen* i hullet. Pass på at unbrakonøkkelen* er fri for Loctite® 574 før du setter den inn i vakuumkontakten.
 - Skru unbrakonøkkelen mens du påfører Loctite 574® på bunnen av vakuumkontakten.
 - Skru vakuumkontakten inn i forsterkeren, pass på at det er tilstrekkelig Loctite® 574 på bunnen av fittingen slik at ingen gjenge er synlig.
- Bruk en skrutrekker og ta forsiktig ut innvendig festering **14**. Rengjør og inspiser sporet for skader.
- Bruk uttrekkeren*, sett inn gjenget hann.ende i endedekselet **12** og trekk det ut sammen med forsterkerhylsen **28** og o-ringene **10** og **13**.
- Sett stangen gjennom kontaktåpningen foran på forsterkerkroppen og bank ut stempelstangen **9** og stempelmodulen.
- Bruk en passende unbrakonøkkel*, skru ut de to skruene **25** og ta av endedeksel **12** fra forsterkerhylsen **28**.
- Ta av tettepluggen **7** med en nøkkel*.
- Sett stangen* gjennom kontaktåpningen foran på forsterkerkroppen og skyv ut pakningshuset **5** og tilhørende o-ringer og leppepakninger.
- Ta av ventilhusmodulen **34** fra hovedkroppen med en passende nøkkel*. Rengjør ved å blåse med lavtrykk trykkluft.
- Ta av stempelstangen **9** fra forsterkerens luftstempel **11** ved å gripe de første 20 mm ($\frac{3}{4}$ ") av stangen i en skrustikke med myke kjever, pass på å ikke skade eller sette merker på arbeidsflaten.
- Skru av låsemutteren **17** med passende nøkkel*.
- Sett sammen igjen i motsatt rekkefølge, pass på følgende:
 - Rengjør alle deler og skift ut alle o-ringer.
 - Smøre alle pakninger med molythium smørefett.
 - Ventilhusmodulen **34** skal monteres igjen med lim på gjengene.
 - Sett sammen stempelmodulen med en ny mutter **17**.
- Endedekselet **12** må monteres korrekt på festering **14**. Verktøyet skal ikke brukes dersom endedekselet ikke er satt på.

* Henviser til deler som er inkludert i servicesettet til 0753 MkII. Se side 260 for en komplett liste.

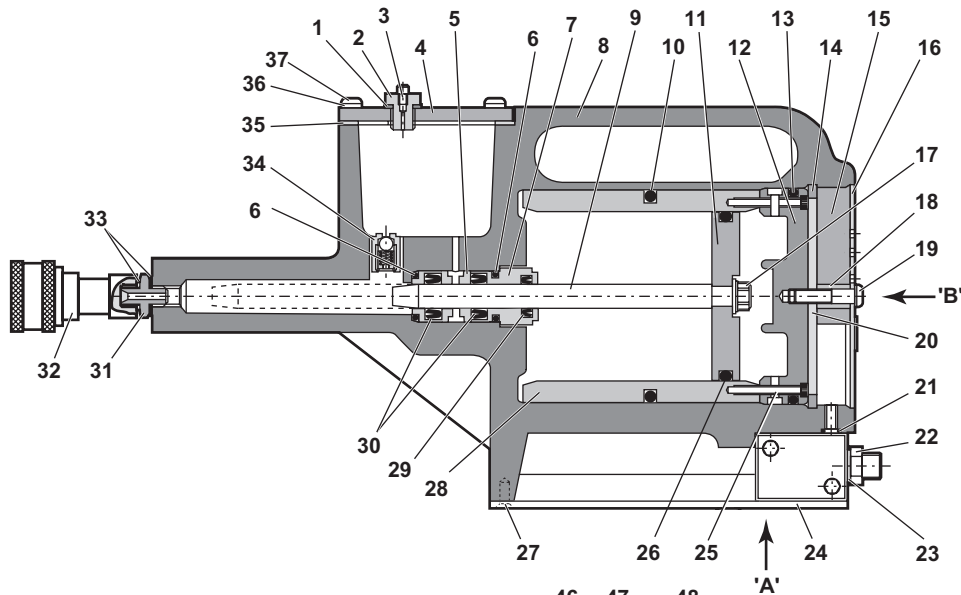
Uthevede delenummer viser til illustrasjonen og delelisten på motstående side.

VIKTIG
Nytt oppsett (priming) skal ALLTID gjennomføres etter at verktøyet har vært demontert og før ny bruk.

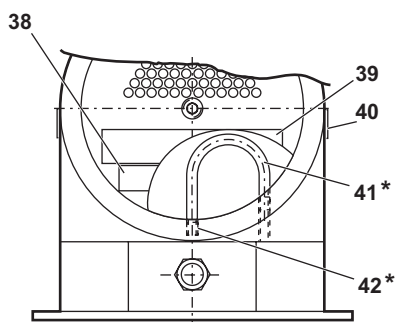
6.5 BESKYTTE MILJØET

Forsikre deg om samsvar med gjeldende forskrifter for avhending. Avhende alt avfall via godkjent avfallshåndtering eller retursted for å unngå at personell og miljø eksponeres for fare.

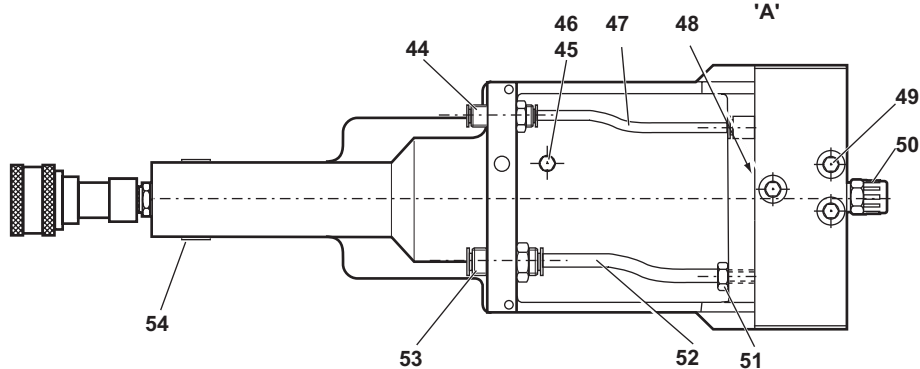
6.6 FORSTERKER 07531-02200



Note
 * Some units will not include these items (The required link is achieved via internal porting).

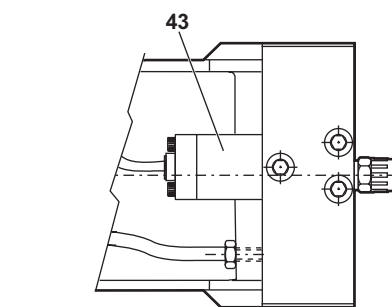


VIEW ON ARROW 'B'



VIEW ON ARROW 'A'

VIEW ILLUSTRATING FESTO VALVE



VIEW ILLUSTRATING COMPAIR VALVE

* Henviser til deler som er inkludert i servicesettet til 0753 MkII. Se side 260 for en komplett liste.

Uthevede delenummer viser til illustrasjonen og delelisten på motstående side.

07531-02200 LISTE OVER DELER										
PUNKT	DELENR.	BESKRIVELSE	ANT. RESERVEDELER	PUNKT	DELENR.	BESKRIVELSE	ANT. RESERVEDELER			
1	07003-00037	PAKNING	1	28	07531-00201	HYLSE	1			-
2	07240-00211	FYLLESKRUE	1	29	07003-00337	LEPPEPAKNING	1			1
3	07001-00418	LUFTESKRUE	1	30	07003-00336	LEPPEPAKNING	2			2
4	07240-00210	DEKKPLATE	1	31	07005-00406	KOBLING	1			-
5	71420-02006	PAKNINGSHUS	1	32	07005-00759	HURTIGUTLØSERKOBLING	1			-
6	07003-00153	O-RING	2	33	07003-00142	PAKNING	2			1
7	71420-02007	TETTEPLUGG	1	34	07240-00400	VENTILHUSMODUL	1			-
8	71420-02300	KROPPSMODUL	1	35	07240-00209	PAKNING	1			1
9	71420-02008	STEMPELSTANG	1	36	07002-00073	SKIVE	4			1
10	07003-00182	O-RING	1	37	07001-00554	SKRUE	4			1
11	07531-00202	LUFSTEMPEL	1	38	07007-01504	ETIKETT	1			-
12	07531-00204	ENDEKSEL	1	39	07240-00217	ETIKETT	1			-
13	07003-00183	O-RING	1	40	07531-00205	ETIKETT	2			-
14	07004-00069	FESTERING	1	41	07005-00596	* 6 mm PLASTRØR	-			-
15	07240-00213	LYDDEMPERSKUM	1	42	07245-00103	* VAKUUMKONTAKT	2			-
16	07240-00214	LYDDEMPERDEKSEL	1	43	07005-00590	COMPAIR-VENTIL	1			1
17	07002-00017	MUTTER	1	44	07005-01431	SKOTTKONTAKT	1			1
18	07240-00215	AVSTANDSSTYKKE	1	45	07005-00668	M5 PLUGG	1			-
19	07001-00417	SKRUE	1	46	07005-00670	M5 PAKNINGSRING	1			-
20	07240-00216	FESTEPLATE	1	47	07005-01084	4 mm PLASTRØR (150 mm)	-			-
21	*07003-00042	O-RING	1	48	07005-01524	FESTO-VENTIL	1			-
22	07005-00041	KOBLING	1	49	07001-00176	SKRUE	3			-
23	07003-00065	SKIVE	1	50	07007-00292	1/4" BSP RØD HETTE	1			-
24	07240-00220	BESKYTTELSEPLATE	1	51	07005-00647	KOBLING	1			-
25	07001-00375	SKRUE	2	52	07005-01085	6 mm PLASTRØR (150 mm)	-			-
26	07003-00238	O-RING	1	53	07005-00855	SKOTT-UNION	1			-
27	07001-00396	SKRUE	4	54	73200-02022	SIKKERHETSETIKETT	1			-

7. OPPSETT (PRIMING)

Nytt oppsett (priming) skal ALLTID gjennomføres etter at verktøyet har vært demontert og før ny bruk. Det kan også være nødvendig å gjenopprette full slaglengde etter mye bruk, dersom slaglengden er redusert og naglene kanskje ikke festes godt nok etter ett skudd.

7.1 OLJEINFORMASJON

Anbefalt olje for første fylling er Hyspin® VG 32 og AWS 32 som leveres i 0,5 liter (delenummer 07992--00002) eller en-gallons beholdere (delenummer 07992-00006). Sikkerhetsdata finner du under.

7.2 HYSPIN® VG32 OG AWS 32 OLJE SIKKERHETSDATA

Førstehjelp

HUD:

Vask grundig med såpe og vann så snart som mulig. Tilfeldig kontakt krever ikke øyeblikkelige tiltak. Korte kontakter krever ikke øyeblikkelige tiltak.

SVELGING:

Søk straks medisinsk hjelp. IKKE fremkalle breknings.

ØYNE:

Skyll straks med vann i flere minutter. Selv om det IKKE er et primært irriterende stoff, kan mindre irritasjoner oppstå etter kontakt.

Brann

Egnede slokkingsmidler: CO₂, tørt pulver, skum eller vanntåke. IKKE BRUK vannståle.

Miljø

AVFALLSHÅNTERING: Via godkjent firma til godkjent sted. Kan brennes. Brukt produkt kan sendes til gjenvinning.

SØL: Forhindre utslipp til avløp, kloakk og vannløp. Samles opp med absorberende stoff.

Håndtering

Bruk øyevern, tette hansker (f.eks. av PVC) og plastforkle. Brukes i godt ventilerte områder.

Lagring

Ingen spesielle forholdsregler.

7.3 PRIMING-PROSEDYRE

VIKTIG

IKKE BRUK AVTREKKEREN MENS LUFTESKRUEN ER TATT UT
All bruk skal gjøres på en ren benk, med rene hender i et rent område.
Forsikre deg om at den nye oljen er helt ren og fri for luftbobler.

VÆR ALLTID forsiktig og pass på at ingen fremmedlegemer kommer inn i verktøyet, det kan føre til alvorlige skader.

- Fjern fylleskruen **2** og pakningen **1** fra dekkplaten i plast **4** på beholderen til forsterkeren.
- Hell priming-olje inn i beholderen til den når opp til ca. 12 mm (1/2 tomme) fra toppen.
- Sett fylleskruen **2** og pakningen **1** på plass igjen.
- Koble forsterkerenheten til luftforsyningen. Fjern skruen fra beholderen.
- Når 07536-pistolenheten er montert på forsterkerenheten og holdes under nivået til forsterkerenheten, skal du skru lufteskruen **64** fra luftepluggmodulen **43** på 07536-verktøyet med to omdreininger, og la oljen renne ut av verktøyet.
- Når oljen renner fritt uten luftbobler, skal du skru til tappeskruen igjen.
- Fyll opp beholderen til forsterkerenheten med priming-olje.
- Sirkuler verktøyet til eventuelle luftbobler i oljen sendes inn i oljeholderen.

Uthevede delenummer viser til den overordnede monteringstegningen og delelisten på side 264-267.

8. FEILDIAGNOSE

SYMPTOM	MULIG ÅRSAK	UTBEDRING	SIDEREFERANSE
Verktøyet fester ikke naglene	Lavt lufttrykk.	Øk lufttrykket	
	Mangler smøring.	Smør inn verktøyet ved inngangspunktet	
	Høy anbruddslast.	Sjekk naglegrep og hullstørrelse for bruk	
	Sjekk for korrekt dorstørrelse.		
	Halekjevene er slått av.	Slå på halekjevene	
	Luft i hydraulikksystemet.	Se "Priming-prosedyre"	269
"Dorglipp" – kjevener vil ikke gripe doren	Slitte eller skitne halekjevener.	Rengjør eller skift som nødvendig	
	Utilstrekkelig lufttrykk/volum.	Øk lufttrykket/volumet	
	Halekjevetryteren er i ustand.	Erstatt bryteren	
	Luft lekker inn i halekjevener.	Forny o-ringene på stempel 11	
	Dor er ødelagt og når ikke halekjevener.	Erstatt doren	
	Feil i pneumatisk kontrollboks.	Kontakt personalet til Stanley Engineered Fastening	
Kjevener vil ikke slippe doren	Skitne halekjevener eller kjevenerhus.	Rengjør og smør inn	
	Halekjevetryteren fungerer ikke.	Skift ut o-ringene	
	Fanget luftsignal	Sjekk pneumatiske linjer	
	Feil i pneumatisk kontrollboks	Kontakt personalet til Stanley Engineered Fastening	
Nagler vil ikke mates gjennom nesekjevener	Halekjevener er ikke slått på.	Slå på halekjevener	
	Slitte halekjevener.	Forny halekjevener	
	Feil orientering av føring.	Monter om igjen og sikre korrekt plassering	
	Feilaktig føring	Sett på korrekt føring	
	Feil nesekjevener.	Sett på riktige nesekjevener	
	Dorfølgerfjær ikke montert.	Monter riktig dorfølgerfjær	
	Dorfølgers lengde	Monter riktig dorfølger	
	Feil mellomrom mellom naglehode og nesekjevener når ladet.	Sett mellomrommet til 1,5 – 3 mm (1/16" – 1/8") Se "Lade verktøyet"	257-258
	Føringen er fastkjørt.	Rengjør og smør føringen	
	slitt luftføring	Forny føringen	
	Feil dorfølgerfjær montert.	Monter riktig dorfølgerfjær	
	Slitt eller ødelagt returfjær i løp	Skift ut løpets returfjær	
Overdreven halekjevenerlitasje	Høy anbruddslast.	Sjekk hullstørrelsen og tykkelsen på bruksemnet og naglens gripekapasitet	
Mater mer enn en nagle om gangen	Dorglipp.	Sjekk som for "dorglipp", trinn 2	
	Feil mellomrom mellom naglehode og nesekjevener når ladet	Sett mellomrommet til 1,5 – 3 mm (1/16" – 1/8") Se "Lade verktøyet" på side	257-258

Andre symptomer skal rapporteres til din lokale Stanley Engineered Fastening representant eller reparasjonssenter.

MERKNADER

9. EU-SAMSVARERKLÆRING

Vi, **Stanley Engineered Fastening, Stanley House, Works Road, Letchworth Garden City, Hertfordshire, SG6 1JY STORBRITANNIA**, erklærer på vårt eget ansvar at produktet:

Beskrivelse: **Hydropneumatisk repeterende verktøy for Speed Rivets**

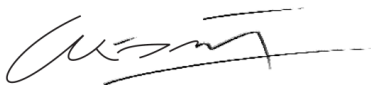
Modell: **07536**

som denne erklæringen angår, er i samsvar med følgende standarder:

ISO 12100:2010	EN ISO 3744:2010
EN ISO 11202:2010	EN ISO 11148-1:2011
EN ISO 4413:2010	BS EN 28662-1:1993
EN ISO 4414:2010	EN ISO 20643:2008+A1:2012
EN ISO 28927-5:2009+A1:2015	ES100118-rev 17:2017

Den tekniske dokumentasjonen er utformet i samsvar med vedlegg VII, i henhold til følgende direktiv: **2006/42/EU Maskindirektivet** (Engelske forskrifter 2008 No 1597 - The Supply of Machinery (Safety) Regulations).

Undertegnede erklærer dette på vegne av STANLEY Engineered Fastening



A. K. Seewraj

Director of Engineering, UK

Avdel UK Limited, Stanley House, Works Road, Letchworth Garden City, Hertfordshire, SG6 1JY UNITED KINGDOM

Utgivelsessted: **Letchworth Garden City, UK**

Utgivelsesdato: **01-01-2021**

Undertegnede er ansvarlig for sammenstilling av den tekniske dokumentasjonen for produkter som selges i EU/EØS og avgir denne erklæringen på vegne av Stanley Engineered Fastening.

Matthias Appel

Team Leader Technical Documentation

Stanley Engineered Fastening, Tucker GmbH, Max-Eyth-Str.1, 35394 Gießen, Tyskland



**Dette utstyret er i samsvar med
Maskindirektivet 2006/42/EU**

STANLEY
Engineered Fastening

10.SAMSVARSERKLÆRING (UK)

Vi, **Stanley Engineered Fastening, Stanley House, Works Road, Letchworth Garden City, Hertfordshire, SG6 1JY STORBRITANNIA**, erklærer på vårt eget ansvar at produktet:

Beskrivelse: **Hydropneumatisk repeterende verktøy for Speed Rivets**

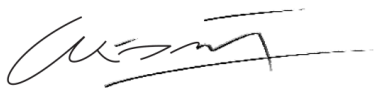
Modell: **07536**

som denne erklæringen angår, er i samsvar med følgende standarder:

ISO 12100:2010	EN ISO 3744:2010
EN ISO 11202:2010	EN ISO 11148-1:2011
EN ISO 4413:2010	BS EN 28662-1:1993
EN ISO 4414:2010	EN ISO 20643:2008+A1:2012
EN ISO 28927-5:2009+A1:2015	ES100118-rev 17:2017

Den tekniske dokumentasjonen er utformet i samsvar med Maskindirektivet (sikkerhet) 2008, S.I. 2008/1597 (med tillegg).

Undertegnede erklærer dette på vegne av STANLEY Engineered Fastening



A. K. Seewraj

Director of Engineering, UK

Avdel UK Limited, Stanley House, Works Road, Letchworth Garden City, Hertfordshire,
SG6 1JY UNITED KINGDOM

Utgivelsessted: **Letchworth Garden City, UK**

Utgivelsesdato: **01-01-2021**



Dette utstyret er i samsvar med
Maskindirektivet (sikkerhet) 2008,
S.I. 2008/1597 (med tillegg)

11. BESKYTT INVESTERINGEN DIN!

Stanley® Engineered Fastening POPNAGLEVERKTØY GARANTI

STANLEY® Engineered Fastening garanterer at alle verktøy er nøyaktig produsert og er frie for defekter som skyldes materiale eller produksjonsarbeid, ved normal bruk og vedlikehold i en periode på ett (1) år.

Denne garantien gjelder kun for den opprinnelige kjøperen av verktøyet.

Unntak:

Normal bruksslitasje.

Periodisk vedlikehold, reparasjon og skifte av reservedeler på grunn av normal slitasje, dekkes ikke av garantien.

Feilbruk og misbruk.

Defekter eller skader som skyldes feilaktig bruk, feilaktig lagring, misbruk, uhell eller forsømmelse så som fysiske skader, dekkes ikke av garantien.

Uautorisert vedlikehold og endringer.

Defekter eller skader som skyldes service, testing, justering, installasjon, vedlikehold, endringer eller modifikasjoner på noen som helst måte av andre enn STANLEY® Engineered Fastening, eller et autorisert servicesenter, dekkes ikke av garantien.

Alle andre garantier, enten uttalte eller implisitte, inkludert garanti for salgbarhet eller egnethet for et spesielt formål, er herved ekskludert.

Dersom dette verktøyet svikter i garantiperioden, send det straks til ditt nærmeste autoriserte servicesenter. For en liste av STANLEY® Engineered Fastening autoriserte servicesentere i USA eller Canada, kontakt oss på gratis telefon (877)364 2781.

Utenfor USA og Canada, se vår nettside **www.StanleyEngineeredFastening.com** for å finne din nærmeste STANLEY Engineered Fastening-representant.

STANLEY Engineered Fastening vil så skifte ut, uten noen kostnad, en del eller deler som vi finner å være defekt på grunn av feil ved materiale eller produksjon, og returnerer verktøyet uten kostnad. Dette er vår eneste forpliktelse under denne garantien.

Under ingen omstendighet skal STANLEY Engineered Fastening være ansvarlig for andre følgeskader eller spesielle skader som følger av kjøp eller bruk av dette verktøyet.

Registrer ditt popnagleverktøy online.

For å registrere garantien online, besøk oss på <https://www.stanleyengineeredfastening.com/support/warranty-registration-form>

Takk for at du valgte et verktøy av merket STANLEY® Engineered Fastening's Stanley Assembly Technologies.

© 2021 Stanley Black & Decker, Inc.
Alla rättigheter förbehållna.

Informationen som tillhandahålls får inte på reproduceras och/eller göras offentlig på något sätt eller med några metoder (elektroniskt eller mekaniskt) utan exklusivt skriftligt tillstånd dessförinnan från STANLEY Engineered Fastening. Informationen som tillhandahålls baseras på data som är kända vid tidpunkten för introduktionen av denna produkt. STANLEY Engineered Fastening har en policy med kontinuerliga produktförbättringar och produkterna kan därför förändras. Informationen som är tillämplig för produkten tillhandahålls av STANLEY Engineered Fastening. Därför kan inte STANLEY Engineered Fastening hållas ansvariga för skador som uppstår som följd av ändringar från originalspecifikationerna för produkten.

Den tillgängliga informationen har sammansatts med yttersta noggrannhet. Emellertid påtar sig inte STANLEY Engineered Fastening något ansvar beträffande fel i informationen eller för konsekvenser därav. STANLEY Engineered Fastening påtar sig inget ansvar för skador som uppstår från aktiviteter som utförs av tredje part. Arbetsnamnen, varumärkesnamnen, registrerade varumärken etc. som används av STANLEY Engineered Fastening skall inte betraktas som fria utan används i enlighet med lagstiftningen som gäller för skydd av varumärken.

1. SÄKERHETSDEFINITIONER	276
1.1 ALLMÄNNA SÄKERHETSFORESKRIFTER	276
1.2 PROJEKTRISKER	276
1.3 DRIFTRISKER.....	277
1.4 RISKER VID REPETITIVA RÖRELSER	277
1.5 TILLBEHÖRSRISKER.....	277
1.6 RISKER PÅ ARBETSPLATSEN	277
1.7 BULLERRISKER	277
1.8 VIBRATIONSRIKER	278
1.9 YTTERLIGARE SÄKERHETSINSTRUKTIONER FÖR PNEUMATISKT OCH HYDRAULISKT ELVERKTYG	278
2. SPECIFIKATIONER	279
2.1 SPECIFIKATION FÖR 07536 VERKTYG	279
2.2 SPECIFIKATION FÖR 07531 FÖRSTÄRKARE.....	279
3. AVSEDD ANVÄNDNING	280
3.1 VERKTYGSMÅTT - 07536-MODELL	280
4. IDRIFTTAGNING	281
4.1 LUFTFÖRSÖRJNING	281
4.2 LUFTMARKÖRER	282
4.3 LADDA OCH LADDA OM VERKTYGET	282
4.4 DRIFTPROCEDUR.....	284
5. SERVICE AV VERKTYGET	285
5.1 PNEUMATISK KONTROLLBOX	285
5.2 DAGLIG SERVICE	285
5.3 VECKOVIS SERVICE.....	285
5.4 MOLYLITHIUM FETT EP 3753 SÄKERHETSDATA.....	285
5.5 SERVICEPAKET	286
5.6 AIR CURSOR-VERKTYG, FÖRSTÄRKARE OCH KONTROLLBOX 07536-02100.....	287
6. UNDERHÅLL	288
6.1 DEMONTERING 07536-02200	288
6.2 ALLMÄN MONTERING AV BASVERKTYG 07536-02200	290
6.3 DELLISTA FÖR BASVERKTYG 07536-02200	291
6.4 DEMONTERINGSANVISNINGAR	292
6.5 SKYDDA MILJÖN.....	293
6.6 FÖRSTÄRKARE 07531-02200	293
7. PRIMING	295
7.1 OLJEDATA.....	295
7.2 HYPIN® VG 32 OCH AWS 32 OLJESÄKERHETSDATA	295
7.3 PRIMINGPROCEDUR.....	295
8. FELSÖKNING	296
9. EU-FÖRSÄKRAN OM ÖVERENSSTÄMMELSE	298
10. UK FÖRSÄKRAN OM ÖVERENSSTÄMMELSE	299
11. SKYDDA DIN INVESTERING!	300



Denna bruksanvisning måste läsas av alla personer som installerar eller använder detta verktyg, med särskild uppmärksamhet på följande säkerhetsregler.



Använd alltid slagtåligt ögonskydd under drift av verktyget. Den skyddsgrad som krävs bör bedömas för varje användning.



Använd hörselskydd i enlighet med arbetsgivarens anvisningar och enligt kraven i arbetsmiljöreglerna.



Användning av verktyget kan utsätta operatörens händer för faror, inklusive krossning, stötar, skärsår och skador och värmeutveckling. Använd lämpliga handskar för att skydda händerna.

1. SÄKERHETSDEFINITIONER

Nedanstående definitioner beskriver allvarlighetsgrad för varje signalord. Läs igenom manualen och uppmärksamma dessa symboler.

▲ FARA: Indikerar en omedelbart farlig situation som, om den inte undviks, kommer att resultera i dödsfall eller allvarlig personskada.

▲ VARNING: Indikerar en potentiellt riskfylld situation som, om den inte undviks, skulle kunna resultera i dödsfall eller allvarlig personskada.

▲ FÖRSIKTIGHET: Indikerar en potentiellt farlig situation som, om den inte undviks, kan resultera i mindre eller moderata skador.

▲ FÖRSIKTIGHET: Användande utan säkerhetslarmsymbolen indikerar en potentiellt farlig situation som, om den inte undviks, kan resultera i materiella skador.

Felaktig hantering eller underhåll av denna produkt kan resultera i allvarliga person- eller egendomsskador. Läs igenom och förstå alla varningar och driftinstruktioner innan denna utrustning används. När verktyget används måste de grundläggande försiktighetsåtgärderna alltid följas för att minska risken för personskador.

SPARA ALLA VARNINGAR OCH INSTRUKTIONER FÖR FRAMTIDA REFERENS

1.1 ALLMÄNNA SÄKERHETSFÖRESKRIFTER

- För flera faror, läs och förstå säkerhetsinstruktionerna innan du installerar, använder, reparerar, underhåller, byter tillbehör på eller arbetar nära verktyget. Om du inte gör det kan det leda till allvarlig kroppsskada.
- Endast kvalificerade och utbildade operatörer får installera, justera eller använda verktyget.
- Använd INTE för andra ändamål än den avsedda installationen av STANLEY Engineered Fastening blindnitar.
- Använd endast delar, fästelement och tillbehör som rekommenderas av tillverkaren.
- Ändra INTE verktyget. Ändringar kan minska effektiviteten för säkerhetsåtgärder och öka riskerna för operatören. Alla modifieringar av verktyget som utförs av kunden är kundens ansvar och kommer att göra alla tillämpliga garantier ogiltiga.
- Släng inte säkerhetsinstruktionerna utan ge dem till operatören.
- Använd inte verktyget om det är skadat.
- Före användning, kontrollera felinställningar eller om rörliga delar har fastnat, bristning hos delar och andra eventuella förhållanden som kan komma att påverka verktygets funktion. Om det är skadat, se till att verktyget blir reparerat före användning. Ta bort inställningsnycklar eller skiftnycklar före användning.
- Verktyg ska inspekteras regelbundet för att verifiera att de värden och markeringar som krävs enligt denna del av ISO 11148 är läsligt utmärkta på verktyget. Arbetsgivaren/användaren ska kontakta tillverkaren för att få ersättningsmärkningsetiketter vid behov.
- Verktyget måste underhållas för att alltid vara driftsäkert och ska regelbundet kontrolleras för skador och funktion av utbildad personal. All demontering skall endast göras av utbildad personal. Demontera inte detta verktyg utan att först kontrollera underhållsinstruktionerna.

1.2 PROJEKTILRISKER

- Koppla ifrån verktyget från hydraulpumpen innan något underhåll eller några inställningar utförs, som t.ex. fastsättning eller borttagning av munstycke eller tillbehör.
- Tänk på att fel på arbetsstycket eller tillbehören, eller till och med det insatta verktyget självt kan generera projektiler med hög hastighet.
- Använd alltid slagtåligt ögonskydd under drift av verktyget. Den skyddsgrad som krävs bör bedömas för varje användning.
- Riskerna för andra bör också bedömas vid denna tidpunkt.
- Se till att arbetsstycket är ordentligt fastsatt.

- Kontrollera att skyddsanordningarna mot utskjutning av fästelement och/eller splintar är på plats och fungerar.
- Varna för eventuell tvångsutskjutning av splintar från verktygets framsida.
- Använd INTE ett verktyg som är riktat mot någon person.

1.3 DRIFTRISKER

- Användning av verktyget kan utsätta operatörens händer för faror, inklusive krossning, stötar, skärsår och skador och värme. Använd lämpliga handskar för att skydda händerna.
- Operatörer och underhållspersonal ska fysiskt kunna hantera verktygets bulk, vikt och kraft.
- Håll verktyget korrekt, vara red att motverka normala eller plötsliga rörelser och ha båda händerna tillgängliga.
- Se till att handtagen är torra, rena och fria från olja och fett.
- Behåll en balanserad kroppsposition och stå stadigt när du använder verktyget.
- Släpp start-och-stopp-enheten vid störning av hydraulkällan.
- Använd endast smörjmedel som rekommenderas av tillverkaren.
- Kontakt med hydraulisk vätska skall undvikas. För att minimera risken för utslag skall huden sköljas noga om kontakt uppstår.
- Datablad om materialsäkerhet för alla hydrauliska oljor och smörjmedel finns tillgänglig på begäran från din verktygsleverantör.
- Undvik olämpliga ställningar eftersom det är troligt att dessa positioner inte tillåter motverkande av normal eller oväntad rörelse av verktyget.
- Om verktyget är fastsatt på en upphängningsanordning, se till att fastsättningen är säker.
- Se upp för risken för krossning eller klämning om nosutrustning inte är monterad.
- Använd INTE verktyget med munstyckshöljet borttaget.
- Det måste finnas tillräckligt med utrymme för operatörens händer innan du går vidare.
- När verktyget bärs från en plats till en annan skall alltid händerna placeras undan från avtryckare för att undvika oavsiktligt aktivering.
- Missbruka INTE verktyget genom att låta det falla ned eller använda det som hammare.
- Försiktighetsåtgärder ska vidtagas för att se till att förbrukade dorn inte utgör någon fara.

1.4 RISKER VID REPETITIVA RÖRELSER

- Vid användning av verktyget kan operatören uppleva obehag i händer, armar, axlar, nacke eller andra delar av kroppen.
- Vid användning av verktyget bör operatören anta en bekväm hållning och samtidigt stå stadigt för att undviker besvärliga eller obalanserade positioner. Operatören bör byta hållning under längre arbetsuppgifter; detta kan hjälpa till att undvika obehag och trötthet.
- Om operatören upplever symtom som ihållande eller återkommande obehag, smärta, pulserande känsla, värkande, stickningar, domningar, brännande känsla eller stelhet, bör dessa varningstecken inte ignoreras. Operatören ska berätta för arbetsgivaren och rådfråga kvalificerad vårdpersonal.

1.5 TILLBEHÖRSRISKER

- Koppla bort verktyget från hydraulisk och elektrisk matning innan montering eller avlägsnande av munstycksanordningen eller tillbehöret.
- Använd endast storlekar och typer av tillbehör och förbrukningsartiklar som rekommenderas av tillverkaren av verktyget; använd inte andra typer eller storlekar av tillbehör eller förbrukningsartiklar.

1.6 RISKER PÅ ARBETSPLATSEN

- De vanligaste orsakerna till arbetsplatsskador är halkning, snubbling och fall. Var medveten om hala ytor orsakade av användning av verktyget och även för risker för att snubbla som orsakas av luftledningen eller hydraulslangen.
- Rör dig med försiktighet i okända omgivningar. Det kan finnas dolda faror, till exempel el- eller andra ledningar.
- Verktyget är inte avsett för användning i potentiellt explosiva atmosfärer och är inte isolerat mot kontakt med elkraft.
- Se till att det inte finns några elektriska kablar, gasrör etc. som kan orsaka risk om de skadas av verktyget.
- Klä dig lämpligt. Bär inte lösa kläder eller smycken. Håll hår, kläder och handskar borta från delar i rörelse. Lösa kläder, smycken eller långt hår kan fastna i delar i rörelse.
- Försiktighetsåtgärder ska vidtagas för att se till att förbrukade dorn inte utgör någon fara.

1.7 BULLERRISKER


- Exponering för höga ljudnivåer kan orsaka permanenta, inaktiverande hörselnedsättning och andra problem, till exempel tinnitus (ringer, surrar, visslar eller piper i öronen). Därför är riskbedömning och genomförande av lämpliga kontroller för dessa faror nödvändiga.
- Lämpliga kontroller för att minska risken kan inkludera åtgärder som dämpning av material för att förhindra att arbetsstycken "ringer".
- Använd hörselskydd i enlighet med arbetsgivarens anvisningar och enligt kraven i arbetsmiljöreglerna.
- Använd och underhåll verktyget enligt rekommendationen i bruksanvisningen, för att förhindra onödig ljudnivå.

1.8 VIBRATIONSRIKSKER

- Exponering för vibrationer kan orsaka skador på nerver och blodtillförsel i händer och armar.
- Använd varma kläder när du arbetar under kalla förhållanden och håll händerna varma och torra.
- Om du får domningar, stickningar, smärta eller blekning av huden i fingrar eller händer, sluta använda verktyget, berätta för din arbetsgivare och kontakta en läkare.
- Om möjligt, stödja vikten av verktyget vikt i stativ, sträckare eller balans, eftersom ett lättare grepp då kan användas för att stödja verktyget.

1.9 YTTERLIGARE SÄKERHETSINSTRUKTIONER FÖR PNEUMATISKA OCH HYDRAULISKA ELVERKTYG

- Driftluftförsörjningen får inte överstiga 7 bar (100 PSI).
- Luft under tryck kan orsaka allvarliga skador.
- Lämna ett verktyg utan tillsyn. Koppla bort luftslangen när verktyget inte används, innan du byter tillbehör eller vid reparationer.
- Låt INTE luftutblåsningen på splintuppsamlaren riktas mot operatören eller några andra personer. Rikta aldrig luft mot någon annan.
- Vippande slangar kan orsaka allvarliga skador. Kontrollera alltid om det finns skadade eller lösa slangar och fästen.
- Före användning, inspektera luftledningarna för att se om det finns några skador, alla kopplingar måste sitta fast. Låt inga tunga föremål falla ned på slangarna. Ett hårt slag kan leda till inre skador och leda till att slangen går sönder i förtid.
- Kall luft ska riktas bort från händerna.
- När universella vridkopplingar (klokkopplingar) används, ska låspinns installeras och säkerhetsvagnar för whipcheck användas för att skydda mot eventuellt slanganslutningsfel.
- Lyft INTE verktyget i slangen. Använd alltid verktygets handtag.
- Ventilationshålen får inte blockeras eller täckas över.
- Håll smuts och främmande föremål undan från det hydrauliska systemet eftersom verktyget kan få funktionsfel.
- Olja under tryck kan orsaka allvarliga skador.
- Kontrollera hydraluslangarna för skador före användning. Alla hydraulanslutningar måste vara rena, helt inkopplade och täta före användning. Låt inga tunga föremål falla ned på slangarna. Ett hårt slag kan leda till inre skador och leda till att slangen går sönder i förtid.
- Dra eller flytta INTE förstärkaren med slangarna. Använd alltid enhetens handtag.
- Använd endast ren olja och påfyllningsutrustning.
- Endast rekommenderade hydraulvätskor får användas.
- Maximala temperatur vid inloppet är 100 °C (212 °F).

 **VARNING:** Medan visst slitage och repor naturligt kommer att ske genom normal och korrekt användning av dornar, måste de regelbundet undersökas efter överdrivet slitage och repor, med särskild uppmärksamhet på huvuddiametern, greppområdet på bakre käftan eller större gropar på skaftet och eventuell snedvridning av dornarna. Dornar som går sönder under användning kan tvingas ut ur verktyget. Det är kundens ansvar att se till att dornarna byts ut före överdrivna nivåer eller slitage och alltid före det maximala rekommenderade antalet placeringar. Kontakta STANLEY Engineered Fastening-representant som kommer att meddela dig vad den siffran är genom att mäta din tillämpningsbelastning med ett kalibrerat testverktyg.

STANLEY Engineered Fastening policy strävar mot kontinuerlig produktutveckling och vi förbehåller oss rätten att ändra specifikationen för någon produkt utan vidare meddelande.

2. SPECIFIKATIONER

2.1 SPECIFIKATION FÖR 07536 VERKTYG

Lufttryck	Min - max	5 - 7 bar (70 - 100 lbf/in ²)
Fri luftvolym krävs	@ 5,1 bar / 75 lbf/in ²	2,6 liter (0,09 ft ³)
Slaglängd	Minsta	25 mm (1 tum)
Dragkraft	@ 5,5 bar / 80 lbf/in ²	3,89 kN (875 lbf)
Cykeltid	Ungefär	1 sekund
Vikt	Pistol	1,2 kg (2,64 lb)

2.2 SPECIFIKATION FÖR 07531 FÖRSTÄRKARE

Lufttryck	Min - max	5 - 7 bar (70 - 100 lbf/in ²)
Intensifieringsförhållande		32:1

Bullervärden i enlighet med bullertestkod ISO 15744 och ISO 3744.		07536
A-vägd ljudeffektnivå dB(A), L _{WA}	Osäkerhet buller: k _{WA} = 2,3 dB(A)	79,5 dB(A)
A-viktad utsläppsljudnivå vid arbetsstationen dB(A), L _{PA}	Osäkerhet buller: k _{PA} = 2,3 dB(A)	68,5 dB(A)
C-viktad topputsläpp ljudtrycksnivå dB(C), L _{pC'} topp	Osäkerhet buller: k _{pC} = 2,5 dB(C)	96,9 dB(C)
Vibrationsvärden i enlighet med vibrationstestkod ISO 20643 och ISO 5349.		07536
Vibrationsemissionsnivå, a _{hd} :	Osäkerhet vibration: k = 0,25 m/s ²	0,97 m/s ²
Deklarerade vibrationsemissionsvärden i enlighet med EN 12096		

3. AVSEDD ANVÄNDNING

Det pneumatiska 07536-typverktøget är utformat för att placera 1/16 " Avlug® vilket gör det idealiskt för flödeslinjemontering i en mängd olika tillämpningar inom alla branscher.

Handverktøget och förstärkaren har testats som separata föremål och kombinerats. De får endast användas tillsammans och för inga andra ändamål. Se "Idrifttagning" på sidan 281-284 för anslutningsdetaljer.

Artikelnummer visas för att beställa ett komplett verktyg men ingen munstycksutrustning.

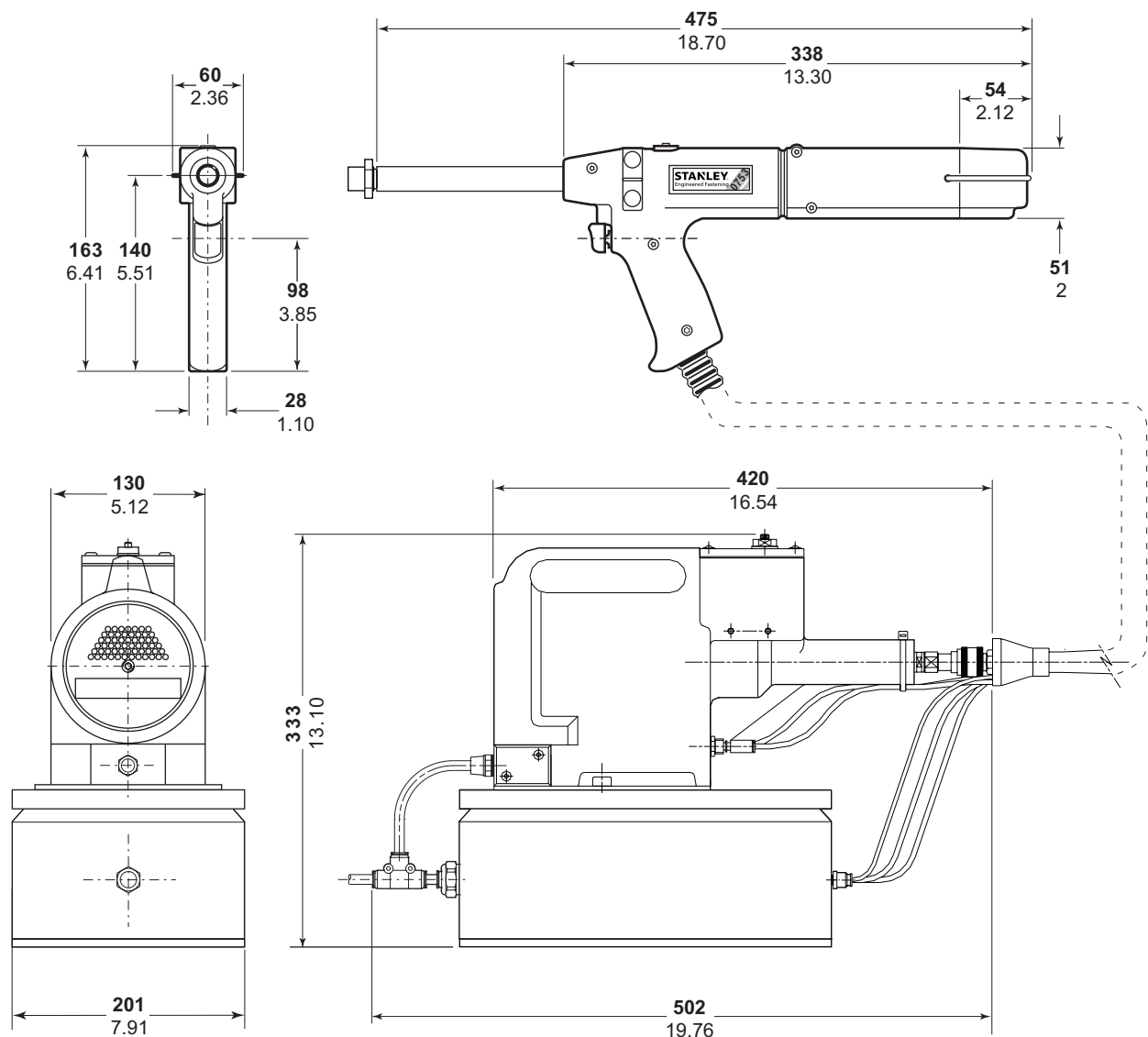
Artikelnumret för 07536-modellen är 07536-02200.

Se allmän montering på sidorna 287-294.

Använd **INTE** under våta förhållanden eller i närheten av lättantändliga vätskor eller gaser.

3.1 VERKTYGSMÅTT - 07536-MODELL

Delnummer 07536-02100



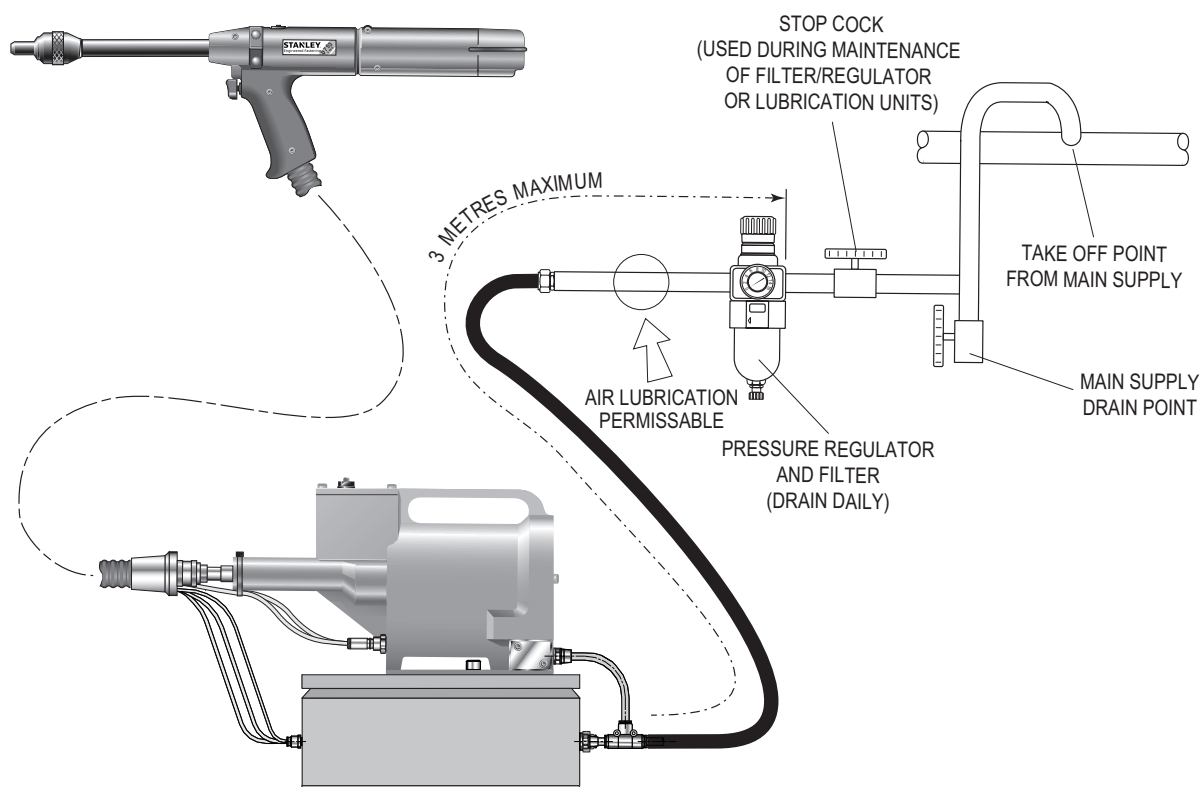
Mått i mm

4. IDRIFTTAGNING

4.1 LUFTFÖRSÖRJNING

Alla verktyg drivs med tryckluft vid optimalt tryck på 5,5 bar. Vi rekommenderar användning av tryckregulatorer och automatiska oljnings-/filtreringssystem på huvudluftförsörjningen. För att säkerställa maximal verktygslivslängd och minimalt verktygsunderhåll bör de monteras inom 3 meter från verktyget (se diagram nedan).

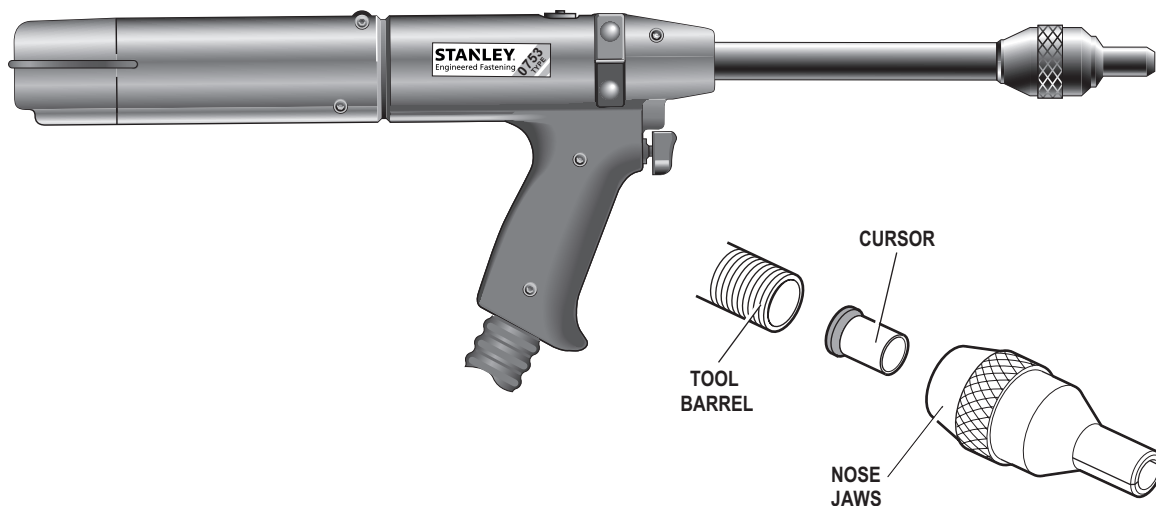
Luftförsörjningsslangarna ska ha ett specificerat lägsta effektivt arbetstryck på 150 % av det maximala trycket som produceras i systemet eller 10 bar, vilketdera som är högst. Luftslangarna ska vara oljeresistenta, ha en slitagefast yttre beläggning och vara armerade där arbetsförhållanden kan resultera i att slangar skadas. Alla luftförsörjningsslangar **MÅSTE** minst ha en inre diameter på 6,4 millimeter eller 1/4 tum.



Följ nedanstående steg när verktyget ansluts till förstärkaren och huvudluftförsörjningen:

- Skjut änden av den större hydraulslangen från verktyget in i snabbkopplingen på förstärkarens ände.
- På framsidan av förstärkaren (se sidan 287):
 - Skjut in den blå pneumatiska (4 mm ytterdiametern) ledningen i reducerkopplingen som finns i den vänstra kontaktdonssockeln.
 - Skjut in den svarta pneumatiska (4 mm ytterdiametern) ledningen i plasthylsan på den högra kontaktdonssockeln.
- På framsidan av kontrollboxen (se sidan 287):
 - Skjut in den silverfärgade pneumatiska linjen (3 mm yttre diameter) in i reduceringen märkt "Cursor" på framsidan av kontrollboxen - vänster sida.
 - Skjut in den gröna pneumatiska (4 mm yttre diameter) linjen i reduceringen märkt "Tail Jaws" på framsidan av kontrollboxen - mitten.
 - Skjut in den vita pneumatiska (4 mm yttre diameter) linjen i reduceringen märkt "Signal" på framsidan av kontrollboxen - höger sida.
- Montera en pneumatisk slang mellan hankontakten på förstärkarens baksida och huvudluftförsörjningen.

4.2 LUFTMARKÖRER



Val av luftmarkör

Se separat datablad 07900-00863 för munstycksmonteringskomponenter.

RYTTARE

VIKTIGT

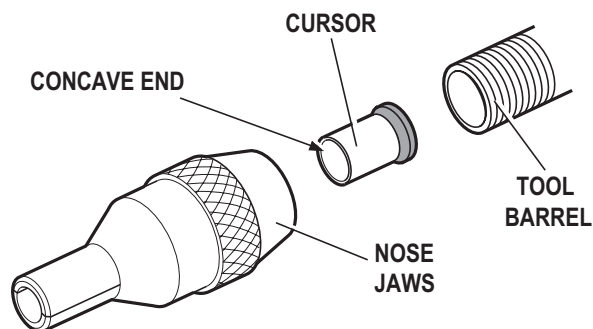
Om den inte är korrekt monterad tillåter inte ryttaren laddning av verktyget och matning av fästelementen.

Medan ryttaren är korrekt monterad när verktyget levereras, rekommenderar vi att du kontrollerar dess riktning innan montering av munstyckesutrustning. Den något konkava änden av ryttaren bör peka mot verktygets framsida, som visas på bilden.

Följ dessa steg för att vända ryttarens riktning:

Extrem försiktighet måste iakttas när följande procedur utförs. Försiktighet måste iakttas för att undvika hylsan och utstickande dorn.

- Ta bort munstycksenheten om det finns någon.
- Sätt in en tom dorn helt i verktyget.
- Stäng bakre käftarna **32** genom att slå på bakre käftbrytaren (artiklarna **18** och **19**).
- Ryttaren hoppar ut ur hylsan efter en kort fördröjning.
- Öppna de bakre käftarna **32** genom att stänga av den bakre käftomkopplaren (artiklarna **18** och **19**), detta frigör dornen.
- Ta bort ryttaren från dornen och sätt in ryttaren i hylsan.



4.3 LADDA OCH LADDA OM VERKTYGET

VIKTIGT

Proceduren för att ladda verktyget och för att montera munstyckesutrustningen på verktyget är integrerad.

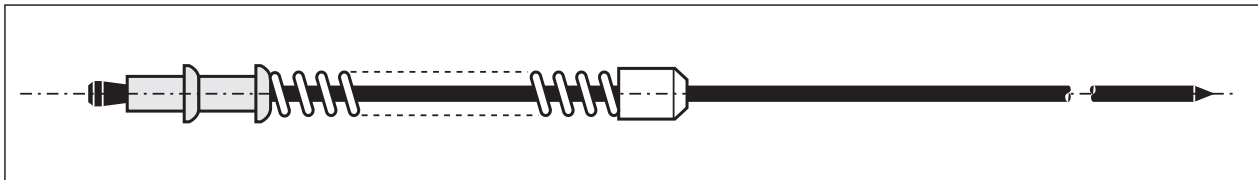
När du beställer ett komplett verktyg eller system får du normalt all munstyckesutrustning som krävs för att fästelementet ska placeras.

Om du har fått en munstyckeskäft, fortsätter dornarna och dornföljarfjädrarna med att ladda verktyget och montera munstyckesutrustningen enligt bilden nedan.

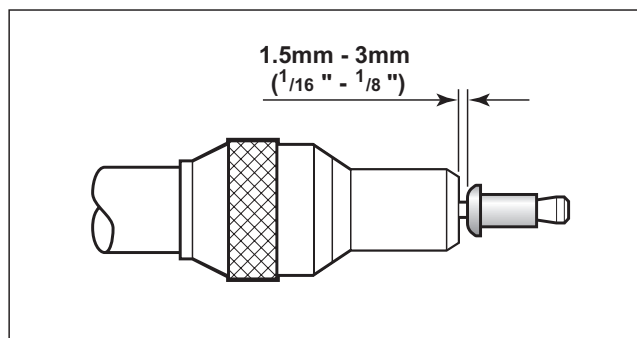
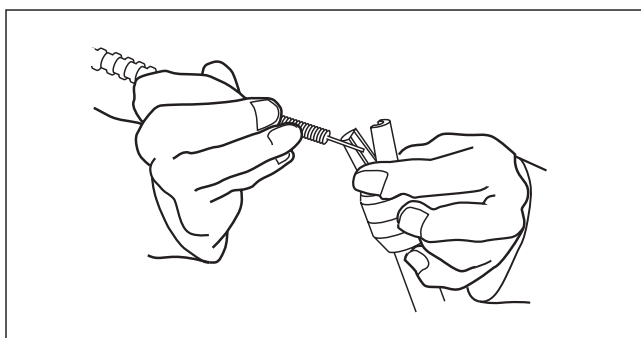
Artikelnummer i **fetstil** hänvisar till den allmänna monteringsritningen och reservdelslistan för 07536-02200-verktyget på sidorna 290-291.

Laddning av verktyget

- Anslut lufttillförseln till verktyget.
- Öppna bakre käftarna **32** som håller fast dornen genom att stänga av bakre käftomkopplaren (artiklarna **18** och **19**).
- Skruva valda munstyckskäftar på verktygets hylsa **44**.
- * För in en dorn i fästelementens bakände genom pappershållaren.
- Skjut in dornens medbringarfjäder för att säkerställa korrekt riktning.



- Greppa bakänden på dornen och riv av pappershållaren runt fästelementen.
- Öppna munstyckskäftarna antingen genom att vrida den yttre ringen på kamdrivna käftar eller genom att trycka utåt på käftändarna, som visas nedan till vänster.
- Sätt i den tidigare monterade dornen, dornens medbringarfjäder och fästelement i munstyckskäftarna tills det första fästelementet som ska sättas sticker fram ur dornkäften.
- Stäng noskäftarna och justera så att det första fästelementet sticker ut med 1,5 mm - 3 mm ($\frac{1}{16}$ tum till $\frac{1}{8}$ "), enligt bilden nedan till höger.
- Stäng bakre käftarna **32** för att säkerställa att dornen är greppad genom att slå på bakre käftomkopplaren (artiklarna **18** och **19**).

**Laddning av verktyget**

- Öppna bakre käftarna **32** som håller fast dornen genom att stänga av bakre käftar (artiklarna **18** och **19**).
- Öppna munstyckskäftarna och dra ut den tomma dornen och dornföljarfjäders från verktyget.
- Ladda om verktyget genom att följa instruktionerna ovan, börja i steg *.

Inställning av verktyget - endast justerbara munstycksenheter

Sätt in den tidigare monterade dornen (se Ladda verktyget *) eller engångsdornen mot stoppet i bakre käftens kolvenhet **60**.

Håll i dornen och stäng samtidigt de bakre käftarna **32** som håller fast dornen genom att slå på bakre käftomkopplaren (artiklarna **18** och **19**).

Skruva låsmuttern på verktygets hylsa **44**.

Vrid munstycksenheten på hylsan **44**.

Justera munstycksenheten så att det första fästelementet sticker ut med 1,5 mm-3 mm ($\frac{1}{16}$ tum till $\frac{1}{8}$ tum), enligt bilden på sidan 283.

Dra åt låsmuttern mot munstycksenheten för att förhindra att munstyckskäftarna rör sig.

Artikelnummer i **fetstil** hänvisar till den allmänna monteringsritningen och reservdelslistan för 07536-02200-verktyget på sidorna 290-291.

Laddning av verktyget

Öppna verktygets bakre käftar genom att stänga av bakre käftomkopplaren (**18-19**).

Öppna käftarna och dra ut den tomma dornen och dornföljarfjäders från verktyget.

Sätt i ny dorn mot stoppet och stäng samtidigt de bakre käftarna **32** som håller fast dornen genom att slå på bakre käftomkopplaren (artiklarna **18** och **19**).

Stäng de bakre käftarna **32**.

4.4 DRIFTPROCEDUR**VIKTIGT**

Du måste kontrollera att ryttarens orientering och munstyckesutrustningen är korrekt innan du försöker använda verktyget.

- Skjut fästelementet, som sticker ut från noskäftarna, helt in i applikationshålen och se till att verktyget hålls rakt.
- Använd avtryckaren utan att släppa - dornhuvudet dras genom fästelementet och bildar fästelementet i applikationen.
- Avlägsna verktyget.
- Släpp avtryckaren. Nästa fästelement presenteras automatiskt genom munstyckeskäftarna, redo för placering.

5. SERVICE AV VERKTYGET

Regelbunden service ska utföras och en omfattande efterkontroll ska göras varje år eller efter 500 000 cykler, beroende på vad som inträffar först.

VIKTIGT

Arbetsgivaren ansvarar för att instruktioner för underhåll av verktyg ges till lämplig personal. Operatören bör inte vara involverad i underhåll eller reparation av verktyget om denne inte är ordentligt utbildad.

5.1 PNEUMATISK KONTROLLBOX

VIKTIGT

Under inga omständigheter får den pneumatiska boxen öppnas. Boxen är ett stängt föremål. De interna justeringarna är förinställda och får inte ändras eller manipuleras. Endast auktoriserad STANLEY Engineered Fastening-personal får demontera denna kontrollbox.



FÖRSIKTIGHET: Använd aldrig lösningsmedel eller andra starka kemikalier för rengöring av de delar som inte är av metall. Kemikalierna kan försvaga materialet i de här delarna.

5.2 DAGLIG SERVICE

- Dagligen, före användning eller när verktyget tas i bruk. Häll några droppar med ren, lätt smörjande olja i luftintaget på verktyget om ingen smörjare är monterad på lufttillförseln. Om verktyget används kontinuerligt skall luftslangen kopplas ifrån huvudlufttillförseln och verktyget smörjas varannan till var tredje timme.
- Kontrollera för luft- och oljeluftläckage. Skadade slangar och kopplingar bör bytas ut.
- Om det inte finns något filter på tryckjusteringen, blås ur luftslangen för att rensa den från uppsamlat smuts eller vatten innan du ansluter luftslangen till förstärkaren. Om det finns ett filter, töm det.
- Kontrollera att munstyckesutrustningen är korrekt.
- Kontrollera dornarna regelbundet för tecken på slitage eller skada som övervakar antalet placeringar (läs säkerhetsinstruktionerna på sidan 276-278).

5.3 VECKOVIS SERVICE

- Utför hela "Dagligen"-proceduren enligt beskrivningen ovan.
- Ta bort, inspektera, rengör och smörj bakkäftarna (se "bakkäftcylinder" i "Underhållsavsnitt" på sidan 288).
- Kontrollera att oljenivån i förstärkarenhetens behållare är cirka 12 mm (1/2 tum) under den transparenta täckplattan.

5.4 MOLYLITHIUM FETT EP 3753 SÄKERHETSDATA

Fett kan beställas som en enda artikel, artikelnumret visas i servicepaketet sida 286.

Första hjälpen

HUD:

Eftersom fettet är helt vattenbeständigt avlägsnas det bäst med en godkänd emulgerande hudrengöring.

FÖRTÄRING:

Se till att personen dricker 30 ml magnesiummjölk, helst i en glas mjölk.

ÖGON:

Irriterande men inte skadligt. Skölj med vatten och sök läkare.

Brand

FLAMPUNKT: Över 220 °C.

Ej klassificerat som brandfarligt.

Lämpliga släckmedel: CO₂ halon eller vattenspray om den appliceras av en erfaren operatör.

Miljö

Skrapa upp för bränning eller bortskaffande på godkänd plats.

Hantering

Använd barriärkräm eller oljebeständiga handskar.

Förvaring

På avstånd från värme och oxidationsmedel.

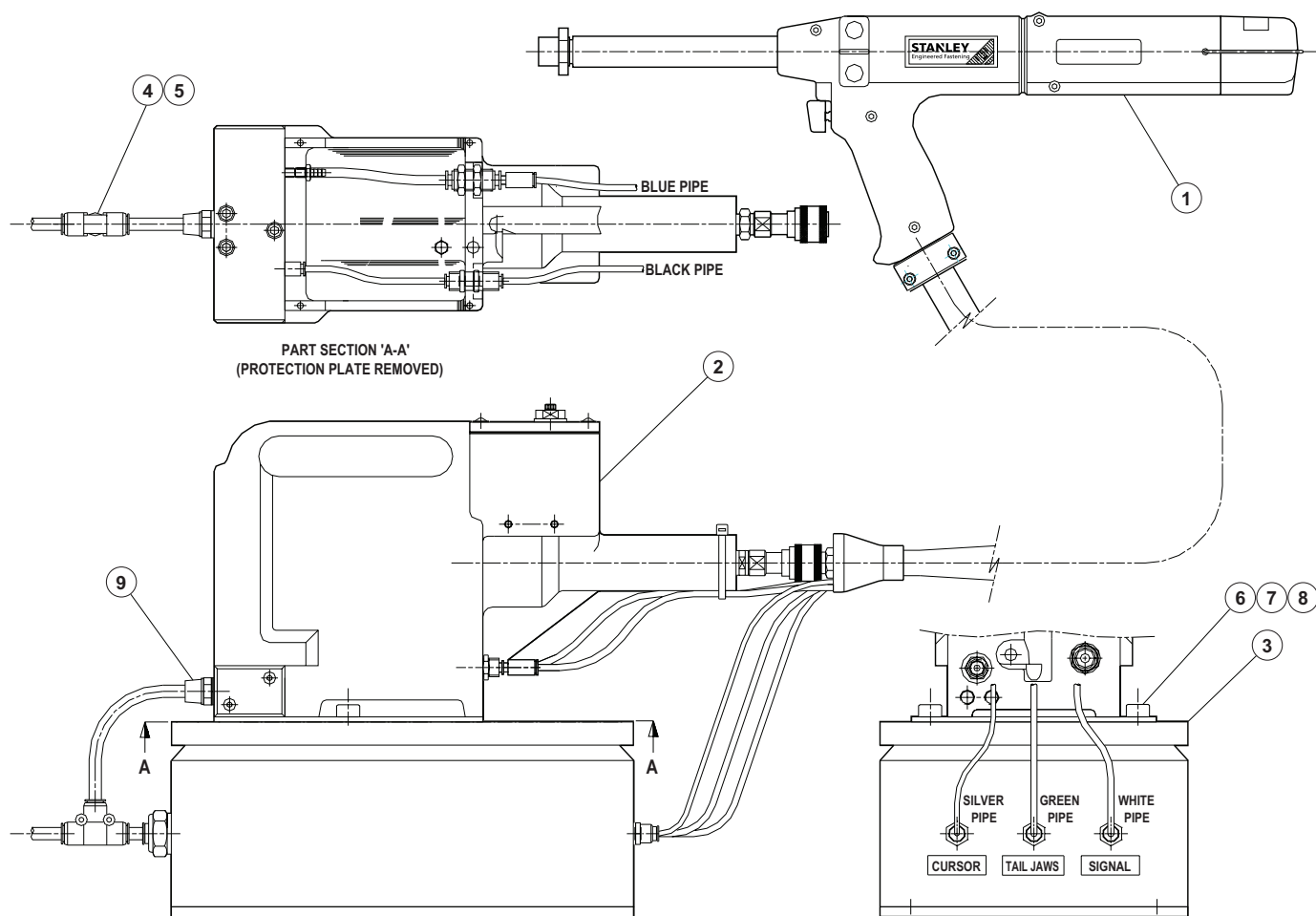
5.5 SERVICEPAKET

För all service rekommenderar vi att du använder servicepaket (artikelnummer 07900-05300).

SERVICEPAKET					
ARTIKELNUMMER	BESKRIVNING	N° AV	ARTIKELNUMMER	BESKRIVNING	N° AV
07900-00157	LÅSRINGSTÄNGER	1	07900-00352	TÄTNINGSAVTAGNINGSKROK	1
07900-00006	SPATEL	1	07900-00710	BORTTAGNINGSNYCKEL FÖR HYLSPLUGG	1
07900-00446	EXTRAKTOR	1	07900-00725	KULA	1
07900-00603	HYLSSKRUVKÄFTAR	1	07900-00243	SKRUVMEJSEL	1
07900-00520	3/8" STÅNG	1	07900-00717	FÖRSTÄRKARNYCKEL	1
07900-00521	1/4" STÅNG	1	07900-00013	1/8" INSEXNYCKEL	1
07900-00602	MONTERINGSKULA O-RING	1	07900-00617	LOCTITE® MULTIPACKNING 574,50 ml PACK	1
07900-00595	18 mm NYCKEL	1	07900-00469	2,5 mm INSEXNYCKEL	1
07900-00434	32 mm NYCKEL	1	07900-00351	3 mm INSEXNYCKEL	1
07900-00237	3/8" × 5/16" B.S.W. NYCKEL	1	07900-00224	4 mm INSEXNYCKEL	1
07900-00012	9/16" × 5/8" NYCKEL	1	07900-00225	5 mm INSEXNYCKEL	1
07900-00008	7/16" × 1/2" NYCKEL	1	07992-00020	80g TIN MOLY LITHIUMFETT EP 3753	1

Notera: Nyckelstorlekar mäts 'över platt' om inte annat anges.

5.6 AIR CURSOR-VERKTYG, FÖRSTÄRKARE OCH KONTROLLBOX 07536-02100



ARTIKEL	ART NR.	BESKRIVNING	NR AV
1	07536-02200	AIR CURSOR HANDVERKTYG	1
2	07531-02200	FÖRSTÄRKARVERKTYG	1
3	07007-02024	AIR CURSOR KONTROLLBOX	1
4	07005-10071	T-ANSLUTNING	1
5	07005-10072	8 MM RÖR (2,50 m)	1
6	74405-12080	MODIFIERAD M8 NUTSERT	8
7	07001-00469	M8 x 15 HÅLSKRUV	2
8	07002-00105	M8 BRICKA	4
9	07005-01573	HANKONTAKT 8 MM RÖR	1
10	07005-01977	HANE/HONA REDUCERING 6 MM /4 MM	1

6. UNDERHÅLL

Årligen eller efter varje 500 000 cykler ska verktyget demonteras helt och nya komponenter ska användas där de är slitna, skadade eller när det rekommenderas. Alla o-ringar och tätningar ska bytas ut och smörjas med Molytium-fett EP 3753 före montering.

VIKTIGT

Säkerhetsinstruktioner visas på sidan 4.

Arbetsgivaren ansvarar för att instruktioner för underhåll av verktyg ges till lämplig personal.

Operatören bör inte vara involverad i underhåll eller reparation av verktyget om denne inte är ordentligt utbildad.

Luftledningen måste kopplas bort innan service eller demontering, om inget annat särskilt anges.

Det rekommenderas att demonteringen utförs under rena förhållanden.

Före demontering av verktyget behöver du avlägsna munstyckesutrustningen.

För komplett verktygsservice rekommenderar vi att du fortsätter med demonteringen av underenheter i den ordning som visas nedan efter att ha kopplat bort hydraulslangen från förstärkarenheten och luftledningarna från förstärkaren och kontrollboxen och därmed separera pistolenheten från förstärkarenheten.

De potentiellt farliga ämnen som kan ha deponerats på maskinen som ett resultat av arbetsprocesser måste tas bort innan underhåll.

6.1 DEMONTERING 07536-02200

BAKRE KÄFTCYLINDER

- Vik upp klämma **53** manuellt och ta av ändkåpan **59**.
- Använd en insexnyckel*, ta bort en insexskruv **6** och se till att all instängd luft i bakre käftcyllindern är uttömd. Avlägsna den andra insexskruven **6**.
- Dra ut den bakre pluggen **50**. **Notera:** För att underlätta utdragningen finns en 5 mm gänga på baksidan av pluggen.
- Extrahera bakre käftkomponenter, som består av den bakre käftens kolvenhet **60**, stopp **52**, o-ring **12** och käftar **32**.
- Extrahera de återstående komponenterna, bestående av fjäder **36** och käfthus **42**.
- Frilängd på fjäder **36** ska vara 38,1 mm (1,5"). Byt ut om nödvändigt.
- Ta bort kolvtätningens "O"-ring **11**.
- Koppla bort Air Cursor Concertina-rör (grönt) **49** från den vinklade anslutningen **22**.
- Koppla bort Air Cursor Concertina-röret (silver) **38** från vinkeln med hullingar **30**.
- Använd en insexnyckel*, ta bort alla fem handtagsfästskruvar **3**, **4** och alla fyra muttrar **8** från verktygshandtaget.
- Grip hylsa **44** i ett skruvstäd med mjuka käftar för att undvika skada.
- Skruva loss hylspluggen **46** med en lådnyckel* och förhindra att hylsan **44** vrids genom att använda en nyckel med öppen ände*.
- Dra ut bakre käftcyllinder **47** från verktyget.
- Ta bort "O"-ring **14**, gnuggremsa **41** och hylsreturfjäder **37**.
- Belägg ytan på bakre käftar **32** med Moly Lithium-fett, i kontakt med käfthus **42**, innan montering.
- Montera i omvänd ordning mot demontering.

HYDRAULKOLV

- Ta bort bakre käftcyllinder **47** som beskrivits tidigare.
- Grip hus **45** i ett grepp med mjuka käftar för att undvika skada, lossa slagbegränsare **40**.
- Använd en insexnyckel* och lossa skruven **5** som klämmer fast omkopplarblocket **54** till hylsan **44**.

* Avser artiklar som ingår i servicepaketet 0753 Mkll. För en komplett lista, se sidan 286.

Artikelnummer i **fetstil** hänvisar till allmän montering och listan över delar på sidorna 290-291.

- Håll stadigt i verktyget och dra ut hylsan **44** från kroppen **45** (en liten mängd hydraulolja kan sprutas ut inifrån huvudenheten).
- Ta bort kolv **39** försiktigt så att inte huvudhålet skadas.
- Ta bort tätning **16**.
- Tätning **17** är svår att ta bort utan att skada, men kan förbli på plats under rengöringen (förutsatt att den inte påverkas av rengöringsprocessen). Om däremot tätningen **17** kräver utbyte, fortsätt enligt följande:
- Använd spatel*, tryck ut tätning **17** från kropp **45**, var försiktig så att du inte skadar kroppens hållighet och hål. Ta bort tätning **17**, MÅSTE kasseras.
- För att byta ut tätning **17**, skruva loss avluftningspluggenheten **43** tills insidan är i nivå med det inre hålet på kroppen **45**. Detta kommer att ge en smidig passage för insättning av ny tätning **17** genom baksidan av huset **45**.
- Se till att tätningen **17** är väl smord och på rätt sätt med tätningens öppna ände mot de bakre käftarna.
- Slutför monteringen i omvänd ordning mot demontering.

MONTERING AV AVTRYCKAREN

- För demontering/servicemontering, ta bort skydden från verktyget enligt beskrivningen tidigare.
- Koppla bort alla luftslangarna från enheten och var försiktig så att den inte skadas. Ta bort enheten.
- Använd en skiftnyckel*, skruva loss hållaren **34** och ta bort den. Se till att behålla fjädern **31**.
- Bänd bort O-ringen **10** och se till att inte skada spindelns 35 och hållarens **34** säten.
- Rengör och sätt ihop med en ny O-ring **10**.
- Kontrollera längden på fjädern **31** som måste vara 12,7 mm (0,5") fri längd – byt ut vid behov.
- Montera i omvänd ordning mot demontering.

PÅ-/AV-VENTIL FÖR BAKRE KÄFT

- Enheten är konstruerad så att minimalt med service krävs under verktygets livslängd.
- Om det är nödvändigt att demontera ventilen, gör följande:
- Ta bort avtryckarhuset **56** enligt beskrivningen i avsnittet "Hydraulkolv".
- Använd en skruvmejsel* för att försiktigt ta bort Chrome Star-låsbrickan **18** från bakre käftens luftspole **55** och kassera brickan.
- Extrahera bakre käftens luftspole **55** från omkopplarblock **54**.
- Var försiktig så att bakre käftens luftspole **55** inte skadas, ta bort O-ringarna **12**.
- Rengör spolen och sätt tillbaka de nya O-ringarna **12** med hjälp av en kula* och montera i omkopplarblocket **54**, notera dess riktning.
- Montera ny Chrome Star-låsbricka **18** genom att klämma fast skruven med mjuka käftar för att förhindra skador. ANVÄND INTE ÖVERDRIVEN KRAFT.
- Slutför monteringen i omvänd ordning mot demontering.

HANDTAG OCH ÄNDKÅPA

- Rengör och inspektera lister för sprickor eller andra skador.

RYTTARE

- Rengör och olja mekanisk ryttare ibland med lite lätt olja.

VIKTIGT
Kontrollera verktyget mot daglig och veckovis service.
Priming är ALLTID nödvändig efter att verktyget har demonterats och före användning.

* Avser artiklar som ingår i servicepaketet 0753 Mkll. För en komplett lista, se sidan 286.
Artikelnummer i **fetstil** hänvisar till allmän monterings- och listan över delar på sidorna 290-291.

6.3 DELLISTA FÖR BASVERKTYG 07536-02200

07536-02200 DELLISTA										
ARTIKEL	ART NR.	BESKRIVNING	ANTAL	RESERV ARTIKEL	ART NR.	BESKRIVNING	ANTAL	RESERV	ARTIKEL	RESERV
1	07007-00392	BUNTBAND (VISAS INTE)	1	-	34	07220-00803	HÅLLARE	1	-	-
2	07001-00499	M3x5 LÅNG HÅLSKRUV	3	-	35	07241-00208	SPINDEL	1	-	-
3	07001-00262	M4x22 LÅNG HÅLSKRUV	1	-	36	07154-00404	FJÄDER	1	-	-
4	07001-00401	M4x10 LÅNG HÅLSKRUV	4	-	37	07490-03002	HYLURETUFJÄDER	1	-	-
5	07001-00404	M5x6 LÅNG HÅLSKRUV	1	-	38	07536-02211	3MM AIR CURSOR CON-CERTINA-RÖR - SILVER	1	-	-
6	07001-00504	M4x6 LÅNG HÅLSKRUV	2	2	39	07536-00203	KOLV	1	-	-
7					40	07530-00204	SLAGBEGRÄNSARE	1	-	-
8	07002-00134	M4 INSEXMUTTER	4	-	41	07530-00206	GNIDNINGSREMSA	1	1	1
9	07002-00153	M4-BRICKA [PLAST]	2	-	42	07536-00208	KÄFTHUS	1	-	-
10	07003-00022	O-RING	1	-	43	07530-00500	AVLUFTNINGSPLUGGENHET [ARTIKLAR 62 till 65]	1	-	-
11	07003-00113	O-RING	3	3	44	07536-02201	HYLISA	1	-	-
12	07003-00121	O-RING	3	3	45	07530-02202	STOMME	1	-	-
13	07003-00142	1/8" BSP FÖRSEGLAD TÄTNING	1	1	46	07530-02205	HYLSPLUGG	1	-	-
14	07003-00167	O-RING	1	1	47	07536-02207	BAKRE KÄFTCYLINDER	1	-	-
15	07003-00386	O-RING	2	-	48	07530-02210	ETIKETT	2	-	-
16	07003-00236	TÄTNING [DYNAMISK]	1	1	49	07536-02212	4 MM AIR CURSOR CON-CERTINA-RÖR - GRÖN	1	-	-
17	07003-00237	TÄTNING [STATISK]	1	-	50	07536-02213	BAKRE PLUGG	1	-	-
18	07004-00058	1/8" STJÄRNKLÄSBRICKA KROM	1	-	51	07530-00310	STANSPLUGG	2	-	-
19	07004-00059	1/8" STJÄRNKLÄSBRICKA SVART	1	-	52	07536-02214	STOPP	1	-	-
20	07005-10073	3 MM KONTAKT	1	-	53	07530-02220	KLÄMMA	1	-	-
21	07005-01357	KOPPLING AV HYLSTYP	1	-	54	07530-02301	OMKOPPLARBLOCK	1	-	-
22	07005-01571	ARMÅGSANSLUTNING	3	-	55	07530-02302	LUFTSVANSBACKSPOLE	1	-	-
23	07536-02216	LÅSMUTTER	1	-	56	07530-02311	AVTRYCKARHUS	1	-	-
24	07005-10074	2 MM KONTAKT	1	-	57	07536-02601	HANDTAGSGJUTNINGSENHET HÖGER SIDA	1	-	-
25	07007-00017	DAMMKÅPA	1	-	58	07536-02602	HANDTAGSGJUTNINGSENHET VÄNSTER SIDA	1	-	-
26	07007-00300	AVTRYCKARKNAPP	1	-	59	07530-02603	ÄNDKÅPA	1	-	-
27	73200-02022	SÄKERHETSETIKETT	1	-	60	07536-02800	BAKRE KÄFT KOLVENHET	1	-	-
28	07007-01504	CE-ETIKETT	1	-	61	07536-02215	FÄSTADAPTER	1	-	-
29	07008-00438	FLEXIBEL SLANGENHET	1	-	62	07003-00142	FÖRSEGLAD TÄTNING (VISAS INTE)	1	1	1
30	07005-01323	M3 VINKEL MED HULLING	1	-	63	07003-00194	FÖRSEGLAD TÄTNING (VISAS INTE)	1	1	1
31	07125-00215	FJÄDER	1	-	64	07001-00442	SKRUV (VISAS INTE)	1	1	1
32	07151-00403	BAKRE KÄFTAR	1	-	65	07530-00501	KONTAKT (VISAS INTE)	1	-	-
33	07003-00016	O-RING	1	-						

6.4 DEMONTERINGSANVISNINGAR

- Vid demontering av förstärkarenheten, koppla först bort lufttillförselslangen till förstärkarens inloppskontakt **22**.
- Använd en insexnyckel* för att lossa fyra skruvar **27** och ta bort skyddsplattan **24**.
- Koppla bort avtryckarslangen (artikel 47 på sidan 31) från förstärkningsventilen **43** eller **48** genom att trycka ned den yttre hylsan och dra ut slangen.
- Ta bort täckplattan **4** och packningen **35** genom att ta bort skruvarna **37** och brickorna **36** med insexnyckeln*.
- Se till att packningen inte skadas för att säkerställa en korrekt tätning på enheten.
- Vänd upp förstärkarenheten och töm olja från tanken i en lämplig behållare.
- Ta bort snabbkopplingen **32** tillsammans med kontaktdon **31** och tätningar **33** med lämplig nyckel*.
- Ta bort förstärkningsventilen **43** eller **48** genom att ta bort fästskruvarna med en lämplig skiftnyckel och var noga med att behålla o-ringen **21** som finns i förstärkarens husgjutning.
- Ta bort skruven **19** med hjälp av en lämplig insexnyckel* och ta bort ljuddämparlocket **16**, skumdämparen **15**, distansen **18** och fästplattan **20**.
- Dra av 6 mm plaströr **41** från vakuumkontakter **42**.
- Från basen av förstärkaren sätt in en 3 mm insexnyckel* genom de två hålen och skruva loss vakuumkontakterna **42**.
Notera:
 - Var försiktig eftersom vakuumkontakterna är låsta och förseglade på plats med Loctite® 574.
 - Om det är svårt att ta bort dem kan vakuumkontakterna borraras ut med en borr med $\frac{3}{16}$ tum eller 4,7 mm diameter.
- För att montera tillbaka vakuumkontakterna **42**, måste följande procedur följas: -
 - Blötlägg vakuumkontakterna i en lämplig primer, t.ex. Perma Bond A905
 - Lägg en droppe Loctite® 574 i förstärkarens gängade hål.
 - Sätt in insexnyckeln* från hålet på förstärkaren genom hålet. Se till att insexnyckeln* är fri från Loctite® 574 innan du sätter i den i vakuumkontakten.
 - Vrid insexnyckeln medan Loctite® 574 appliceras på vakuumkontaktens bas.
 - Skruva in vakuumkontakten i förstärkaren och se till att det finns tillräckligt med Loctite® 574 vid fästets undersida så att tråden inte syns.
- Ta försiktigt den inre hållarringen **14** med en skruvmejsel. Rengör och inspektera spåret för tecken på skador.
- Använd utdragaren*, sätt in hangängad ände i ändkåpan **12** och dra ut den tillsammans med förstärkarhylsan **28** och o-ringarna **10** och **13**.
- För in stången* genom anslutningsöppningen på framsidan av förstärkarkroppen och knacka ut kolvstången **9** och kolvenheten.
- Använd en lämplig insexnyckel*, skruva loss två skruvar **25** och ta bort ändkåpan **12** från förstärkarhylsan **28**.
- Ta bort tätningspluggen **7** med nyckel*.
- För in stången* genom anslutningsöppningen på framsidan av förstärkarkroppen och skjut ut tätningshöljet **5** och tillhörande o-ringar och läpptätningar.
- Ta bort ventilhuset **34** från huvudkroppen med en lämplig nyckel*. Rengör genom att blåsa igenom med en lågtrycksluftstråle.
- Ta bort kolvstången **9** från förstärkarens luftkolv **11** genom att gripa tag i stångens första 20 mm (3/4 tum) i ett skruvstöd med mjuka käftar, var försiktig så att du inte skadar eller märker arbetsytan.
- Skruva loss låsmuttern **17** med en lämplig nyckel*.
- Montera i omvänd ordning som för demontering, observera följande:·
 - Rengör alla delar och byt ut alla o-ringar.
 - Smörj alla tätningar med Molylitium -fett.
- Ventilhuset **34** måste sättas tillbaka med ett gängförslutande lim.

* Avser artiklar som ingår i servicepaketet 0753 MkII. För en komplett lista, se sidan 286.
Artikelnummer i **fetstil** hänvisar till illustration och listan över delar motsatt.

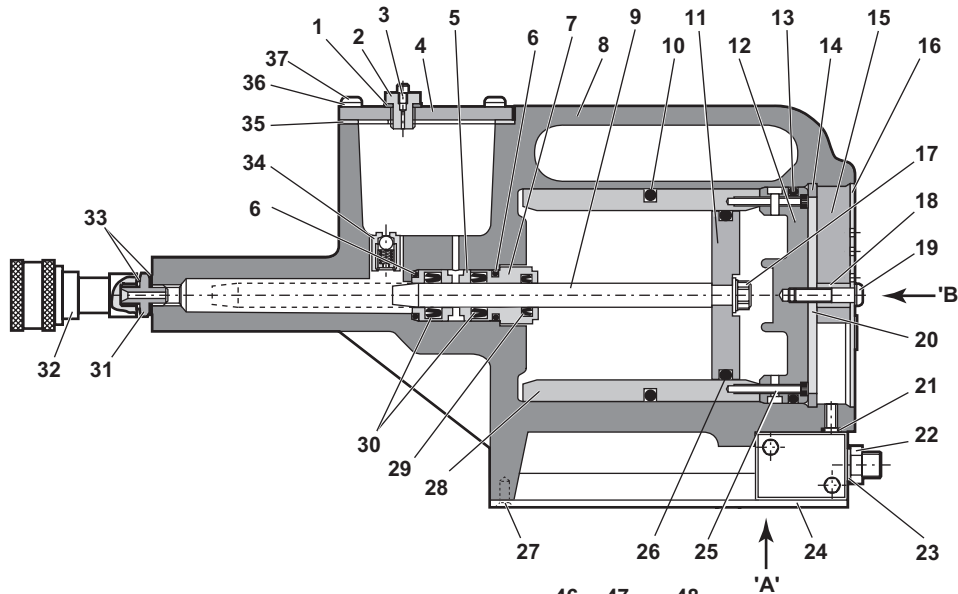
- Montera kolvenheten med en ny mutter **17**.
- Ändkåpan **12** måste vara korrekt monterad i hållarringen **14**. Verktuget får inte användas om ändkåpan har utelämnats.

VIKTIGT
Priming är ALLTID nödvändig efter att verktuget har demonterats och före användning.

6.5 SKYDDA MILJÖN

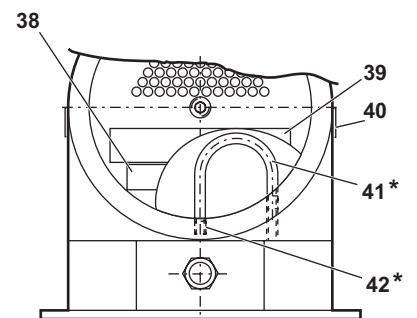
Observera överensstämmelse med gällande avfallsföreskrifter. Kassera alla avfallsprodukter på en godkänd avfallsanläggning eller plats för att inte utsätta personal och miljö för faror.

6.6 FÖRSTÄRKARE 07531-02200

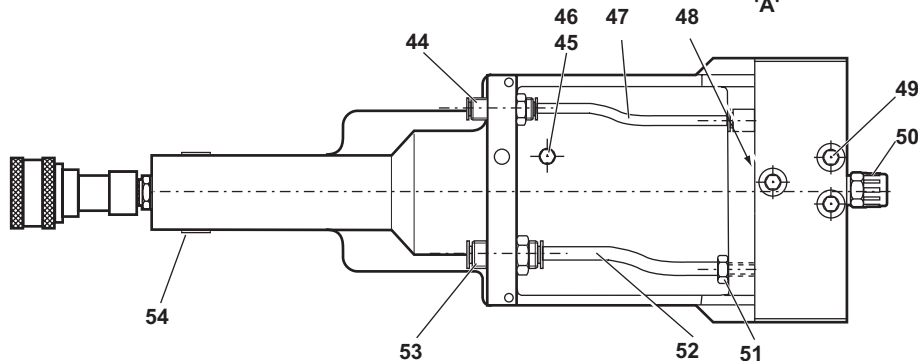


Note

* Some units will not include these items (The required link is achieved via internal porting).

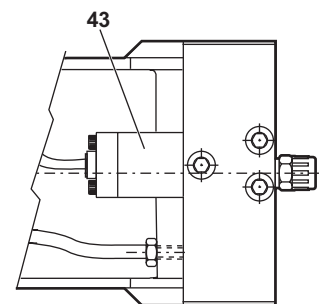


VIEW ON ARROW 'B'



VIEW ON ARROW 'A'

VIEW ILLUSTRATING FESTO VALVE



VIEW ILLUSTRATING COMPAIR VALVE

* Avser artiklar som ingår i servicepaketet 0753 MkII. För en komplett lista, se sidan 286. Artikelnummer i **fetstil** hänvisar till illustration och listan över delar motsatt.

07531-02200 DELLISTA									
ARTIKEL	ART NR.	BESKRIVNING	ANTAL	RESERV	ARTIKEL	ART NR.	BESKRIVNING	ANTAL	RESERV
1	07003-00037	TÄTNING	1	1	28	07531-00201	HYLSA	1	-
2	07240-00211	FYLLESKRUV	1	-	29	07003-00337	LÄPPTÄTNING	1	1
3	07001-00418	AVLUFTNINGSSKRUV	1	1	30	07003-00336	LÄPPTÄTNING	2	2
4	07240-00210	TÄCKPLATTA	1	-	31	07005-00406	ANSLUTNING	1	-
5	71420-02006	TÄTNINGSHUS	1	-	32	07005-00759	SNABBSLÄPPNINGSKONTAKT	1	-
6	07003-00153	O-RING	2	-	33	07003-00142	TÄTNING	2	1
7	71420-02007	TÄTNINGSLUGG	1	-	34	07240-00400	VENTILHUS	1	-
8	71420-02300	ENHET	1	-	35	07240-00209	PACKNING	1	1
9	71420-02008	KOLVSTÅNG	1	-	36	07002-00073	BRICKA	4	1
10	07003-00182	O-RING	1	1	37	07001-00554	SKRUV	4	1
11	07531-00202	LUFTKOLV	1	-	38	07007-01504	ETIKETT	1	-
12	07531-00204	ÄNDKÅPA	1	-	39	07240-00217	ETIKETT	1	-
13	07003-00183	O-RING	1	1	40	07531-00205	ETIKETT	2	-
14	07004-00069	HÅLLARRING	1	1	41	07005-00596	* 6 mm PLASTRÖR	-	-
15	07240-00213	SKUMDÄMPARE	1	1	42	07245-00103	* VAKUUMKONTAKT	2	-
16	07240-00214	LJUDDÄMPARLOCK	1	-	43	07005-00590	KOMPRIMERINGSVENTIL	1	1
17	07002-00017	MUTTER	1	1	44	07005-01431	KONTAKTDONSSOCKEL	1	1
18	07240-00215	DISTANSBRICKA	1	-	45	07005-00668	M5 KONTAKTDON	1	-
19	07001-00417	SKRUV	1	1	46	07005-00670	M5 TÄTNINGSRING	1	-
20	07240-00216	FÄSTPLATTA	1	-	47	07005-01084	4 mm PLASTRÖR (150 mm)	-	-
21	*07003-00042	O-RING	1	1	48	07005-01524	FESTO VENTIL	1	-
22	07005-00041	ANSLUTNING	1	-	49	07001-00176	SKRUV	3	-
23	07003-00065	BRICKA	1	-	50	07007-00292	1/4" BSP REDCAP	1	-
24	07240-00220	SKYDDSPLATTA	1	-	51	07005-00647	ANSLUTNING	1	-
25	07001-00375	SKRUV	2	-	52	07005-01085	6 mm PLASTRÖR (150 mm)	-	-
26	07003-00238	O-RING	1	1	53	07005-00855	KONTAKTDONSFÖRENING	1	-
27	07001-00396	SKRUV	4	-	54	73200-02022	SÄKERHETSETIKETT	1	-

7. PRIMING

Priming är ALLTID nödvändig efter att verktyget har demonterats och före användning. Det kan också vara nödvändigt att återställa hela slaget efter avsevärd användning, när slaget kan reduceras och fästelement inte är helt placerade av en operation av avtryckaren.

7.1 OLJEDATA

Den rekommenderade oljan för priming är Hyspin® VG 32 och AWS 32 tillgänglig i 0,5 l (artikelnummer 07992--00002) eller en gallonbehållare (artikelnummer 07992-00006). Se säkerhetsdata nedan.

7.2 HYSPIN® VG 32 OCH AWS 32 OLJESÄKERHETSDATA

Första hjälpen

HUD:

Tvätta noggrant med tvål och vatten så snart det är praktiskt möjligt. Tillfällig kontakt kräver ingen omedelbar uppmärksamhet. Tillfällig kontakt kräver ingen omedelbar uppmärksamhet.

FÖRTÄRING:

Sök läkare omedelbart. Framkalla INTE kräkningar.

ÖGON:

Skölj med vatten i flera minuter. Även om det INTE är en primär irritation kan mindre irritation uppstå efter kontakt.

Brand

Lämpliga släckmedel: CO₂, torrt pulver, skum eller vattendimma. Använd INTE högtryckstvätt.

Miljö

AVFALLSHANTERING Genom auktoriserad entreprenör till en lämplig återvinningsstation. Kan förbrännas. Begagnad produkt kan skickas för återvinning.

SPILL: Förhindra inlopp i avlopp, utlopp och vattendrag. Sug upp med absorberande material.

Hantering

Använd ögonskydd, ogenomträngliga handskar (t.ex. av PVC) och ett plastförkläde. Använd i ett väl ventilerat utrymme.

Förvaring

Inga särskilda försiktighetsåtgärder.

7.3 PRIMINGPROCEDUR

VIKTIGT

ANVÄND INTE AVTRYCKAREN MEDAN AVLFTNINGSSKRUVEN ÄR BORTTAGEN

Allt arbete ska utföras på en ren bänk, med rena händer i ett rent område.

Se till att den nya oljan är helt ren och fri från luftbubblor.

Var noga med att alltid se till att inga främmande föremål kommer in i verktyget, annars kan det uppstå allvarliga skador.

- Ta bort skruv **2** och tätning **1** från plasttäckplatta **4** på förstärkarreservoaren.
- Håll primingoljan i reservoaren upp till ungefär 1/2" (12 mm) från toppen.
- Sätt tillbaka skruv **2** och tätning **1**.
- Anslut försärkningsenheten till luftförsörjningen. Ta bort skruven från reservoaren.
- Med pistolenheten monterad på förstärkarenheten hållen under förstärkarenhetens nivå på förstärkarenheten, skruva avluftningsskruv **64** från avluftningspluggenheten **43** på 07536-verktyget två varv och låt oljan flöda ut ur verktyget.
- När oljan rinner fritt och utan luftbubblor, spänn avluftningsskruven.
- Fyll upp reservoaren på förstärkarenheten med primingolja.
- Cvkla verktyget tills eventuella luftbubblor i oljan hamnar i oljereservoaren.

Artikelnummer i **fetstil** hänvisar till allmän montering och listan över delar på sidorna 290-293.

8. FELSÖKNING

SYMPTOM	MÖJLIG ORSAK	ÅTGÄRD	SIDA REF.
Verktyget kan inte placera fästelementet	Lågt lufttryck.	Öka lufttrycket	
	Brist på smörjning.	Smörj verktyget vid luftinloppspunkten	
	Hög brotschbelastning.	Kontrollera grepp och hålstorlek på fästelementet	
	Kontrollera om dornen har rätt storlek.		
	Bakre käftar avstängda.	Starta bakre käftar	
	Luft i hydraulsystemet.	Se "Primingprocedur"	295
"Dornen slirar"- käftarna greppar inte dornen	Slitna eller smutsiga bakre käftar.	Rengör eller förnya vid behov	
	'Otillräckligt lufttryck eller volym.	Öka lufttrycket eller volymen	
	'Omkopplaren för bakre käftar fungerar inte.	Byt ut omkopplare	
	'Luftläckage till bakre käftar.	Byt ut "O"-ringar på kolv 11.	
	Dorn trasig och når ej bakre käftar.	Byt ut dorn	
	Fel i pneumatisk styrbox.	Kontakta Stanley Engineered Fastening-personal	
Käftar släpper inte dornen	Smutsiga bakre käftar eller käfthus.	Rengör och smörj	
	Trasig bakre käftomkopplare.	Byt ut O-ringar	
	Instängd luftsignal	Kontrollera pneumatiska ledningar	
	Fel i pneumatisk styrbox	Kontakta Stanley Engineered Fastening-personal	
Fästelementen matar inte genom munstycks-käftarna	Svansbackar ej påslagna.	Starta bakre käftar	
	Slitna bakre käftar.	Nya bakre käftar	
	Ryttarens orientering är felaktig.	Montera igen för att säkerställa korrekt orientering	
	Felaktig ryttare	Sätt på rätt ryttare	
	Felaktiga munstycks-käftar.	Montera korrekta munstycks-käftar	
	Dornens medbringarfjäder inte monterad.	Montera korrekt medbringarfjäder till dornen	
	Dornföljares längd	Montera korrekt medbringare till dornen	
	Felaktigt avstånd mellan fäst huvudet och munstycks-käftarna när de laddades.	Ställ in avståndet till 1,5 mm – 3 mm (1/16" – 1/8") Se "Laddning av verktyget"	283-284
	Ryttaren fastnar.	Rengör och olja in ryttaren	
	sliten air cursor	Ny ryttare	
	Felaktig medbringarfjäder monterad till dornen.	Montera korrekt medbringarfjäder till dornen	
	Sliten eller trasig cylinderreturfjäder	Byt sliten hylsreturfjäder	
Överdrivet slitage på bakkäftarna	Hög brotschbelastning.	Kontrollera applikationens hålstorlek och tjocklek och fästelementets grepp	
Matar mer än ett fästelement i taget	Dornslir.	Kontrollera som för "dornslir" nedan, steg 2	
	Felaktigt avstånd mellan fäst huvudet och munstycks-käftarna när de laddades	Ställ in avståndet till 1,5 mm – 3 mm (1/16" – 1/8") Se "Laddning av verktyget" på sidan	283-284

Andra symptom ska rapporteras till din lokala Stanley Engineered Fastening-representant eller reparationscenter.

ANTECKNINGAR

9. EU-FÖRSÄKRAN OM ÖVERENSSTÄMMELSE

Vi, **Stanley Engineered Fastening, Stanley House, Works Road, Letchworth Garden City, Hertfordshire, SG6 1JY UNITED KINGDOM**, försäkrar under eget ansvar att produkten:

Beskrivning: Hydropneumatiskt repetitionsverktyg för snabbnitar

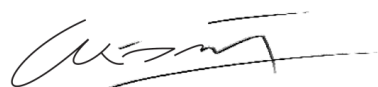
Modell: 07536

som denna deklARATION relaterar till uppfyller följande standarder:

ISO 12100:2010	EN ISO 3744:2010
EN ISO 11202:2010	EN ISO 11148-1:2011
EN ISO 4413:2010	BS EN 28662-1:1993
EN ISO 4414:2010	EN ISO 20643:2008+A1:2012
EN ISO 28927-5:2009+A1:2015	ES100118-rev 17:2017

Den tekniska dokumentationen är utformad i enlighet med bilaga VII, i enlighet med följande direktiv: **2006/42/EC Maskindirektivet** (Statutory Instruments 2008 No 1597 – The Supply of Machinery (Safety) Regulations).

Undertecknad lämnar denna förklaring på uppdrag av STANLEY Assembly Technologies



A. K. Seewraj

Director of Engineering, Storbritannien

Avdel UK Limited, Stanley House, Works Road, Letchworth Garden City, Hertfordshire, SG6 1JY STORBRIANNIEN

Utgivningsplats: Letchworth Garden City, Storbritannien

Utgivningsdatum: 01-01-2021

Undertecknad är ansvarig för sammanställningen av tekniska data för produkter sålda i Europeiska unionen och gör denna försäkran för Stanley Engineered Fastening.

Matthias Appel

Team Leader Technical Documentation

Stanley Engineered Fastening, Tucker GmbH, Max-Eyth-Str.1, 35394 Gießen, Tyskland



Denna maskin är i överensstämmelse med
Maskindirektiv 2006/42/EG

STANLEY
Engineered Fastening

10.UK FÖRSÄKRAN OM ÖVERENSSTÄMMELSE

Vi, **Stanley Engineered Fastening, Stanley House, Works Road, Letchworth Garden City, Hertfordshire, SG6 1JY UNITED KINGDOM**, försäkrar under eget ansvar att produkten:

Beskrivning: **Hydropneumatiskt repetitionsverktyg för snabbnitar**


Modell: **07536**

som denna deklARATION relaterar till uppfyller följande standarder:

ISO 12100:2010	EN ISO 3744:2010
EN ISO 11202:2010	EN ISO 11148-1:2011
EN ISO 4413:2010	BS EN 28662-1:1993
EN ISO 4414:2010	EN ISO 20643:2008+A1:2012
EN ISO 28927-5:2009+A1:2015	ES100118-rev 17:2017

Teknisk dokumentation är sammanställd i enlighet med Supply of Machinery (Safety) Regulations 2008, SI 2008/1597 (med ändringar).

Undertecknad lämnar denna förklaring på uppdrag av STANLEY Assembly Technologies



A. K. Seewraj

Director of Engineering, Storbritannien

Avdel UK Limited, Stanley House, Works Road, Letchworth Garden City, Hertfordshire, SG6 1JY STORBRIANNIEN

Utgivningsplats: **Letchworth Garden City, Storbritannien**

Utgivningsdatum: **01-01-2021**



Denna maskin är i överensstämmelse med
Supply of Machinery (Safety) Regulations 2008,
S.I. 2008/1597 (med ändringar)

11. SKYDDA DIN INVESTERING!

Stanley® Engineered Fastening BLINDNITVERKTYG GARANTI

STANLEY® Engineered Fastening garanterar att alla kraftverktyg noggrant tillverkats och att de är fria från materialdefekter och tillverkningsfel vid normal användning och service för en period av ett (1) år.

Denna garanti gäller endast för första köparen av verktyget för original användning.

Undantag:

Normalt slitage.

Regelbundet underhåll, reparation och reservdelar på grund av normalt slitage är undantagen från garantin.

Missbruk och felaktig användning.

Defekter eller skador som uppstår av felaktig hantering, förvaring, missbruk eller felaktig användning, olyckor eller försummelse, såsom fysiska skador är undantaget från garantin.

Obehörig service eller modifiering.

Defekter eller skador som uppstår efter service, testinställning, installation, underhåll, ändringar eller modifieringar på något sätt av någon annan än STANLEY® Engineered Fastening, eller deras auktoriserade servicecenter är undantaget från garantin.

Alla andra garantier, uttalade eller underförstådda, inklusive några garantier om säljbarhet eller lämplighet för särskilt syfte är undantaget från garantin.

Om detta verktyg inte uppfyller garantin, returnera snarast verktyget till vår fabriks auktoriserade servicecenter närmast dig. För en lista med STANLEY® Engineered Fastening Auktoriserade servicecenter i USA eller Kanada, kontakta oss på gratisnumret (877)364 2781.

Utanför USA och Kanada, besök vår hemsida www.StanleyEngineeredFastening.com för att hitta närmaste STANLEY Engineered Fastening-plats.

STANLEY Engineered Fastening kommer sedan att ersätta, utan kostnad, någon del eller delar som vi hittar som är defekt på grund av materialfel eller tillverkningsfel och returnera verktyget med betald retur. Detta utgör vår enda skyldighet enligt denna garanti.

Under inga omständigheter ska STANLEY Engineered Fastening vara ansvarigt för eventuella följdskador eller speciella skador som följer av inköp eller användning av detta verktyg.

Registrera ditt blindnitverktyg online.

För att registrera din garanti online, besök oss på <https://www.stanleyengineeredfastening.com/support/warranty-registration-form>

Tack för att du valt ett STANLEY® Engineered Fastening's Stanley Assembly Technologies Brand-verktyg.

©2021 Stanley Black & Decker inc.
 Todos os direitos reservados.

As informações fornecidas não podem ser reproduzidas e/ou tornadas públicas por qualquer forma ou qualquer meio (electrónica ou mecânica) sem a permissão prévia explícita e escrita por parte da STANLEY Engineered Fastening. As informações fornecidas têm como base dados conhecidos durante a introdução deste produto. A STANLEY Engineered Fastening segue uma política de melhoramento contínuo dos produtos e, por conseguinte, os produtos podem estar sujeitos a alterações. As informações fornecidas são aplicáveis ao produto tal como são fornecidas pela STANLEY Engineered Fastening. Por conseguinte, a STANLEY Engineered Fastening não pode ser responsabilizada por quaisquer desvios das especificações originais do produto.

As informações disponíveis foram criadas com o maior rigor possível. No entanto, a STANLEY Engineered Fastening não aceita qualquer responsabilidade no que respeita a quaisquer erros das informações indicadas ou pelas consequências daí resultantes. A STANLEY Engineered Fastening não aceita qualquer responsabilidade por quaisquer danos resultantes das actividades executadas por terceiros. Os nomes autorizados, nomes comerciais, marcas registadas, etc. utilizados pela STANLEY Engineered Fastening não devem ser considerados como gratuitos, de acordo com a legislação no que respeita à protecção das marcas comerciais.

1. DEFINIÇÕES DE SEGURANÇA	302
1.1 REGRAS DE SEGURANÇA GERAIS	302
1.2 RISCO DE PROJECÇÃO	302
1.3 RISCO DURANTE O FUNCIONAMENTO.....	303
1.4 RISCO DE MOVIMENTO REPETITIVO	303
1.5 RISCO RELACIONADO COM ACESSÓRIOS	303
1.6 RISCO NO LOCAL DE TRABALHO	303
1.7 RISCO DE RUÍDO	303
1.8 RISCO DE VIBRAÇÃO.....	304
1.9 INSTRUÇÕES ADICIONAIS DE SEGURANÇA PARA FERRAMENTAS ELÉCTRICAS E PNEUMÁTICAS	304
2. CARACTERÍSTICAS TÉCNICAS	305
2.1 ESPECIFICAÇÕES DA FERRAMENTA 07536.....	305
2.2 ESPECIFICAÇÕES DO INTENSIFICADOR 07531	305
3. UTILIZAÇÃO PRETENDIDA	306
3.1 DIMENSÕES DA FERRAMENTA - MODELO 07536	306
4. COLOCAÇÃO EM FUNCIONAMENTO	307
4.1 FORNECIMENTO DE AR.....	307
4.2 CURSORES DE AR	308
4.3 CARREGAR E VOLTAR A CARREGAR A FERRAMENTA	308
4.4 PROCEDIMENTO DE FUNCIONAMENTO	310
5. ASSISTÊNCIA DA FERRAMENTA	311
5.1 CAIXA DE CONTROLO PNEUMÁTICA	311
5.2 ASSISTÊNCIA DIÁRIA	311
5.3 ASSISTÊNCIA DIÁRIA	311
5.4 GRAXA MOLY LITHIUM EP 3753: DADOS DE SEGURANÇA.....	311
5.5 KIT DE ASSISTÊNCIA	312
5.6 CONJUNTO DE CAIXA DE CONTROLO, FERRAMENTA DO CURSOR DE AR E INTENSIFICADOR 07536-02100.....	313
6. MANUTENÇÃO	314
6.1 DESMONTAR O MODELO 07536-02200	314
6.2 MONTAGEM GERAL DA FERRAMENTA DE BASE 07536-02200	317
6.3 LISTA DE PEÇAS DA FERRAMENTA DE BASE 07536-02200.....	318
6.4 INSTRUÇÕES DE DESMONTAGEM	319
6.5 PROTECÇÃO DO AMBIENTE.....	320
6.6 INTENSIFICADOR 07531-02200.....	320
7. ESCORVAR	322
7.1 INFORMAÇÕES SOBRE O ÓLEO	322
7.2 DADOS DE SEGURANÇA DOS ÓLEOS HYSPIN® VG 32 E AWS 32	322
7.3 PROCEDIMENTO DE ESCORVAMENTO.....	322
8. DIAGNÓSTICO DE AVARIAS	323
9. DECLARAÇÃO CE DE CONFORMIDADE	325
10. DECLARAÇÃO DE CONFORMIDADE DO REINO UNIDO	326
11. PROTEJA O SEU INVESTIMENTO!	327



Este manual de instruções deve ser lido por qualquer pessoal responsável pela instalação ou utilização desta ferramenta, com especial atenção às seguintes regras de segurança.



Use sempre protecção ocular resistente a impacto quando utilizar a ferramenta. O grau de protecção necessário deve ser avaliado de acordo com cada utilização.







Utilize protecção auditiva de acordo com as instruções do empregador e em conformidade com os regulamentos de segurança e saúde no trabalho.



A utilização da ferramenta pode expor as mãos do utilizador a riscos, incluindo esmagamento, impactos, cortes, desgaste e calor. Use luvas adequadas para proteger as mãos.

1. DEFINIÇÕES DE SEGURANÇA

As definições abaixo descrevem o nível de gravidade de cada aviso. Leia o manual e preste atenção a estes símbolos.

-  **PERIGO:** Indica uma situação de perigo iminente que, se não for evitada, resulta na morte ou em ferimentos graves.
-  **ATENÇÃO:** Indica uma situação de possível perigo que, se não for evitada, pode resultar na morte ou em ferimentos graves.
-  **AVISO:** Indica uma situação potencialmente perigosa que, se não for evitada, pode resultar em ferimentos ligeiros ou moderados.
-  **AVISO:** Utilizado sem o símbolo de aviso de segurança indica uma situação potencialmente perigosa que, se não for evitada, pode resultar em danos materiais.

A utilização ou manutenção inadequadas deste produto podem resultar em ferimentos graves ou danos materiais. Antes de utilizar este equipamento, leia e compreenda todos os avisos e instruções de funcionamento. Quando utiliza ferramentas eléctricas, devem ser sempre tomadas precauções básicas de segurança para reduzir os ferimentos.

GUARDE TODOS OS AVISOS E INSTRUÇÕES PARA REFERÊNCIA FUTURA

1.1 REGRAS DE SEGURANÇA GERAIS

- Para evitar vários riscos, leia e compreenda as instruções de segurança antes de instalar, funcionamento, reparação, manutenção, substituição de acessórios ou trabalho perto da ferramenta. Se não o fizer, podem ocorrer ferimentos graves.
- Apenas os utilizadores qualificados e com formação devem instalar, regular ou utilizar a ferramenta.
- NÃO utilize o equipamento para outro efeito que não seja colocar rebites cegos da STANLEY Engineered Fastening.
- Utilize apenas as peças, fechos e acessórios recomendados pelo fabricante.
- NÃO modifique a ferramenta. As modificações podem reduzir a eficiência das medidas de segurança e aumentar os riscos para o utilizador. Se for efectuada qualquer modificação na ferramenta pelo cliente, este será o único responsável e quaisquer garantias aplicáveis serão anuladas.
- Não elimine as instruções de segurança, entregue-as ao utilizador.
- Não utilize a ferramenta se estiver danificada.
- Antes de utilizar a ferramenta, verifique se as peças móveis da ferramenta estão alinhadas e não emperram, bem como se existem peças partidas ou quaisquer outras condições que possam afectar o funcionamento da mesma. Se a ferramenta apresentar danos, esta deve ser reparada pelo centro de assistência antes de voltar a utilizá-la. Retire qualquer chave de fenda ou ajuste antes de utilizar a ferramenta.
- As ferramentas devem ser inspeccionadas periodicamente para verificar se as classificações e marcas exigidas por esta parte da ISO 11148 estão legíveis na ferramenta. O empregador/utilizador deve entrar em contacto com o fabricante para obter as etiquetas de marcação sobresselentes, se necessário.
- A manutenção da ferramenta deve ser sempre efectuada num local de trabalho seguro e a ferramenta deve ser examinada em intervalos frequentes no que respeita a danos e funcionamento por técnicos qualificados. Os procedimentos de desmontagem devem ser efectuados apenas por técnicos qualificados. Só deve desmontar esta ferramenta depois de consultar as instruções de manutenção.

1.2 RISCO DE PROJECÇÃO

- Desligue a ferramenta do fornecimento de ar antes de efectuar qualquer manutenção, ajuste, instalação ou remoção de uma ponteira ou acessórios.
- Tenha em atenção que a falha da peça a trabalhar ou dos acessórios ou mesmo a ferramenta inserida pode resultar em projecteis a elevada velocidade.
- Use sempre protecção ocular resistente a impacto quando utilizar a ferramenta. O grau de protecção necessário deve ser avaliado de acordo com cada utilização.
- Os riscos para terceiros deve ser também avaliado nesta altura.
- Verifique se a peça a trabalhar está fixada correctamente.
- Verifique se o tipo de protecção contra ejeção do fecho e/ou do mandril está instalado e operacional.

- Esteja preparado contra possível ejeção potente dos mandris na parte da frente da ferramenta.
- NÃO aponte a ferramenta ligada às pessoas.

1.3 RISCO DURANTE O FUNCIONAMENTO

- A utilização da ferramenta pode expor as mãos do utilizador a riscos, incluindo esmagamento, impactos, cortes, desgaste e calor. Use luvas adequadas para proteger as mãos.
- Os utilizadores e os técnicos de manutenção devem ter capacidade para lidar com o volume, peso e potência da ferramenta.
- Segure a ferramenta correctamente. Prepare-se para reagir a movimentos normais súbitos e deve ter as mãos disponíveis.
- Mantenha as pegas da ferramenta secas, limpas e sem óleo e graxa.
- Quando utilizar a ferramenta, mantenha o corpo equilibrado e os pés bem assentes.
- Liberte o dispositivo de arranque e paragem no caso de interrupção do fornecimento hidráulico.
- Utilize apenas os lubrificantes recomendados pelo fabricante.
- Deve evitar contacto com fluidos hidráulicos. Para minimizar a probabilidade de alergia, se houver contacto, lave bem a área afectada.
- As fichas de dados de segurança de material de todos os óleos hidráulicos e lubrificantes estão disponíveis, mediante pedido, junto do seu fornecedor de ferramentas.
- Evite uma postura não adequada, porque é provável que estas posições não permitam uma reacção para movimentos normais ou inesperados da ferramenta.
- Se a ferramenta estiver fixada num dispositivo de suspensão, certifique-se de que a fixação está segura.
- Se a ponteira não estiver instalada, corre o risco de ficar esmagado ou entalado.
- NÃO utilize a ferramenta sem a caixa da ponteira.
- Antes de continuar, é necessário que o utilizador da ferramenta tenha espaço adequado para manuseá-la.
- Quando transportar a ferramenta de um local para outro, mantenha as mãos afastadas do gatilho para evitar qualquer activação inadvertida.
- NÃO utilize a ferramenta de maneira abusiva, por exemplo, não deixe caí-la ou utilize-a como um martelo.
- Deve ter atenção para que os mandris gastos não causem situações de perigo.

1.4 RISCO DE MOVIMENTO REPETITIVO

- Quando utilizar a ferramenta, o operador pode sentir desconforto nas mãos, braços, ombros, pescoço ou outras partes do corpo.
- Quando utilizar a ferramenta, o utilizador deve ter uma postura confortável, bem como ter os pés assentes e evitar posições incómodas ou sem equilíbrio. O utilizador deve mudar de posição durante tarefas prolongadas. Isto pode ajudar a evitar desconforto e fadiga.
- Se o utilizador tiver sintomas como desconforto persistente ou recorrente, dor, palpitações, cansaço, formigueiro, dormência, sensação de ardor ou rigidez, estes sinais de aviso não devem ser ignorados. O utilizador deve informar o empregador e contactar um profissional de saúde qualificado.

1.5 RISCO RELACIONADO COM ACESSÓRIOS

- Desligue a ferramenta do fornecimento de ar antes de montar ou retirar a ponteira ou o acessório.
- Utilize apenas acessórios e consumíveis cujo tamanho e tipo sejam recomendados pelo fabricante da ferramenta. Não utilize acessórios ou consumíveis de outro tipo ou tamanho.

1.6 RISCO NO LOCAL DE TRABALHO

- Deslizes, tropeções e quedas são as principais causas de ferimentos no local de trabalho. Esteja atento a superfícies escorregadias resultantes da utilização da ferramenta e também ao risco de tropeçar no tubo de ar ou na mangueira hidráulica.
- Tenha cuidado quando trabalhar em locais onde não esteja familiarizado. Pode haver perigos escondidos, como cabos de electricidade ou outras linhas de serviços públicos.
- A ferramenta não foi concebida para ser utilizada em ambientes potencialmente explosivos e não está isolada contra o contacto com energia eléctrica.
- Verifique se não há cabos eléctricos, tubos de gás, etc., que possam dar origem a situações de perigo se forem danificados pela utilização da ferramenta.
- Use vestuário adequado. Não use roupa larga ou jóias. Mantenha o cabelo, a roupa e as luvas afastados das peças móveis. As roupas largas, as jóias ou o cabelo comprido podem ficar presos nestas peças.
- Deve ter atenção para que os mandris gastos não causem situações de perigo.

1.7 RISCO DE RUÍDO

- A exposição a níveis elevados de ruído pode causar perda auditiva permanente, incapacitante e a outros problemas, como zumbido nos ouvidos. Por conseguinte, é essencial avaliar o risco e a implementação de controlos adequados para estes riscos.
- Controlos adequados para reduzir o risco podem incluir medidas como materiais de isolamento para impedir que as peças de trabalho causem zumbido.

- Utilize protecção auditiva de acordo com as instruções do empregador e de acordo com os regulamentos de segurança e saúde no trabalho.
- Utilize e faça a manutenção da ferramenta conforme recomendado no manual de instruções para evitar um aumento desnecessário do nível de ruído.

1.8 RISCO DE VIBRAÇÃO

- A exposição às vibrações pode causar danos incapacitantes nos nervos e fornecimento de sangue nas mãos e nos braços.
- Use roupa quente quando trabalhar em locais frios e mantenha as mãos quentes e secas.
- Se sentir dormência, formigamento, dor ou branqueamento da pele nos dedos ou nas mãos, pare de utilizar a ferramenta, peça ao seu superior e contacte um médico.
- Se possível, suporte o peso da ferramenta numa bancada, tensor ou equalizador, porque uma fixação mais leve pode ser utilizada para suportar a ferramenta.

1.9 INSTRUÇÕES ADICIONAIS DE SEGURANÇA PARA FERRAMENTAS ELÉTRICAS E PNEUMÁTICAS

- O valor de fornecimento de ar não deve exceder 7 bar (100 PSI).
- O ar sob pressão pode causar ferimentos graves.
- Nunca deixe a ferramenta a funcionar sem assistência. Quando não estiver a utilizar a ferramenta, desligue o tubo de ar antes de substituir acessórios ou efectuar reparações.
- NÃO permita que a abertura de saída de ar no colector de mandris fique virada para o operador ou outras pessoas. Nunca aponte o jacto de ar directamente para si ou para outra pessoa.
- O efeito de chicote das mangueiras pode causar ferimentos graves. Verifique sempre se existem mangueiras e acessórios danificados ou soltos.
- Antes de utilizar a ferramenta, verifique se as linhas de ar apresentam danos, todas as ligações devem estar seguras. Não deixe cair objectos pesados em cima das mangueiras. Um golpe forte pode causar danos internos e dar origem à falha prematura da mangueira.]
- O jacto de ar frio deve ser afastado das mãos.
- Sempre que utilizar acoplamentos torcidos universais (acoplamentos de garra), devem ser instalados pinos de segurança e cabos de segurança para mangueiras como protecção contra possíveis falhas entre a mangueira e a ferramenta ou entre a mangueira e a mangueira.
- NÃO levante a ferramenta de colocação pela mangueira. Utilize sempre a pega da ferramenta de colocação.
- Os orifícios de ventilação não devem ficar obstruídos ou tapados.
- Mantenha o sistema hidráulico da ferramenta limpo de sujidade e substâncias estranhas, porque podem causar uma avaria da ferramenta.
- O óleo sob pressão pode causar ferimentos graves.
- Antes de utilizar a ferramenta, inspeccione se as mangueiras hidráulicas apresentam danos. Todas as ligações hidráulicas devem ser limpas, encaixadas correctamente e apertadas antes de efectuar qualquer operação. Não deixe cair objectos pesados em cima das mangueiras. Um golpe forte pode causar danos internos e dar origem à falha prematura do tubo.
- NÃO puxe ou mova a unidade de intensificação utilizando as mangueiras. Utilize sempre a pega da unidade.
- Utilize apenas equipamento de enchimento e lubrificação limpos.
- Podem ser utilizados apenas os fluidos hidráulicos recomendados.
- A temperatura máxima do fluido hidráulico na entrada é de 100 °C.

⚠ ATENÇÃO: Apesar de haver um ligeiro desgaste e marcas devido à utilização normal e correcta dos mandris, estes devem ser examinados com regularidade para verificar se há excesso de desgaste e marcas, com especial atenção ao diâmetro da cabeça, a área de fixação do mordente traseiro da haste ou furos profundos da haste e quaisquer distorção do mandril. Os mandris que falhem durante a utilização podem ser projectados da ferramenta. É da responsabilidade do cliente garantir que os mandris são substituídos antes de qualquer nível de desgaste excessivo e sempre antes do número máximo recomendado de fixações. Contacte o representante da STANLEY Engineered Fastening que vai permitir-lhe saber qual é o número, através da medição da carga do mandril da sua aplicação com uma ferramenta de medição calibrada.

A política da STANLEY Engineered Fastening promove o desenvolvimento e o melhoramento contínuo de produtos e reservamo-nos o direito de alterar as especificações de quaisquer produtos sem aviso prévio.

2. CARACTERÍSTICAS TÉCNICAS

2.1 ESPECIFICAÇÕES DA FERRAMENTA 07536

Pressão do ar	Mínima - Máxima	5 a 7 bar (70-100 lbf/in ²)
Volume de ar disponível necessário	a 5,1 bar / 75 lbf/in ²	2,6 litros (0.09 ft ³)
Curso	Mínimo	25 mm (1 pol)
Esforço de tracção	a 5,5 bar /80 lbf/in ²	3,89 kN (875 lbf)
Duração do ciclo	Aproximado	1 segundo
Peso	Pistola	1,2 kg (2.64 lb)

2.2 ESPECIFICAÇÕES DO INTENSIFICADOR 07531

Pressão do ar	Mínima - Máxima	5 a 7 bar (70-100 lbf/in ²)
Relação de multiplicação		32:1

Os valores de ruído são determinados de acordo com o código de ensaio de ruído ISO 15744 e ISO 3744.		07536
Nível de potência sonora com ponderação A dB(A), L_{WA}	Variabilidade de ruído: $k_{WA} = 2,3$ dB(A)	79,5 dB(A)
Um nível de emissão de pressão sonora com ponderação A na estação de trabalho dB(A), L_{pA}	Variabilidade de ruído: $k_{pA} = 2,3$ dB(A)	68,5 dB(A)
Nível de emissão de pressão sonora com ponderação dB(C), L_{pC} , pico	Variabilidade de ruído: $k_{pC} = 2,5$ dB(C)	96,9 dB(C)
Os valores de vibração são determinados de acordo com o código de ensaio de vibrações ISO 20643 e ISO 5349.		07536
Nível de emissão de vibrações, a_{hd} :	Variabilidade de vibração: $k = 0,25$ m/s ²	0,97 m/s ²
Valores de emissão de vibrações declarados de acordo com a norma EN 12096		

3. UTILIZAÇÃO PRETENDIDA

O modelo 07536 é uma ferramenta manual leve concebida para colocar fechos rápidos Avlug® de 1/16", o que a tornam a solução ideal para montagem de linha de produção ou em lotes numa ampla variedade de aplicações em todos os sectores.

A ferramenta manual e o intensificador foram testados como artigos separados e combinados. Devem ser utilizados em conjunto e não podem ser utilizados para outras finalidades. Consulte "Colocação em funcionamento" na página 307-310 para obter detalhes de ligação.

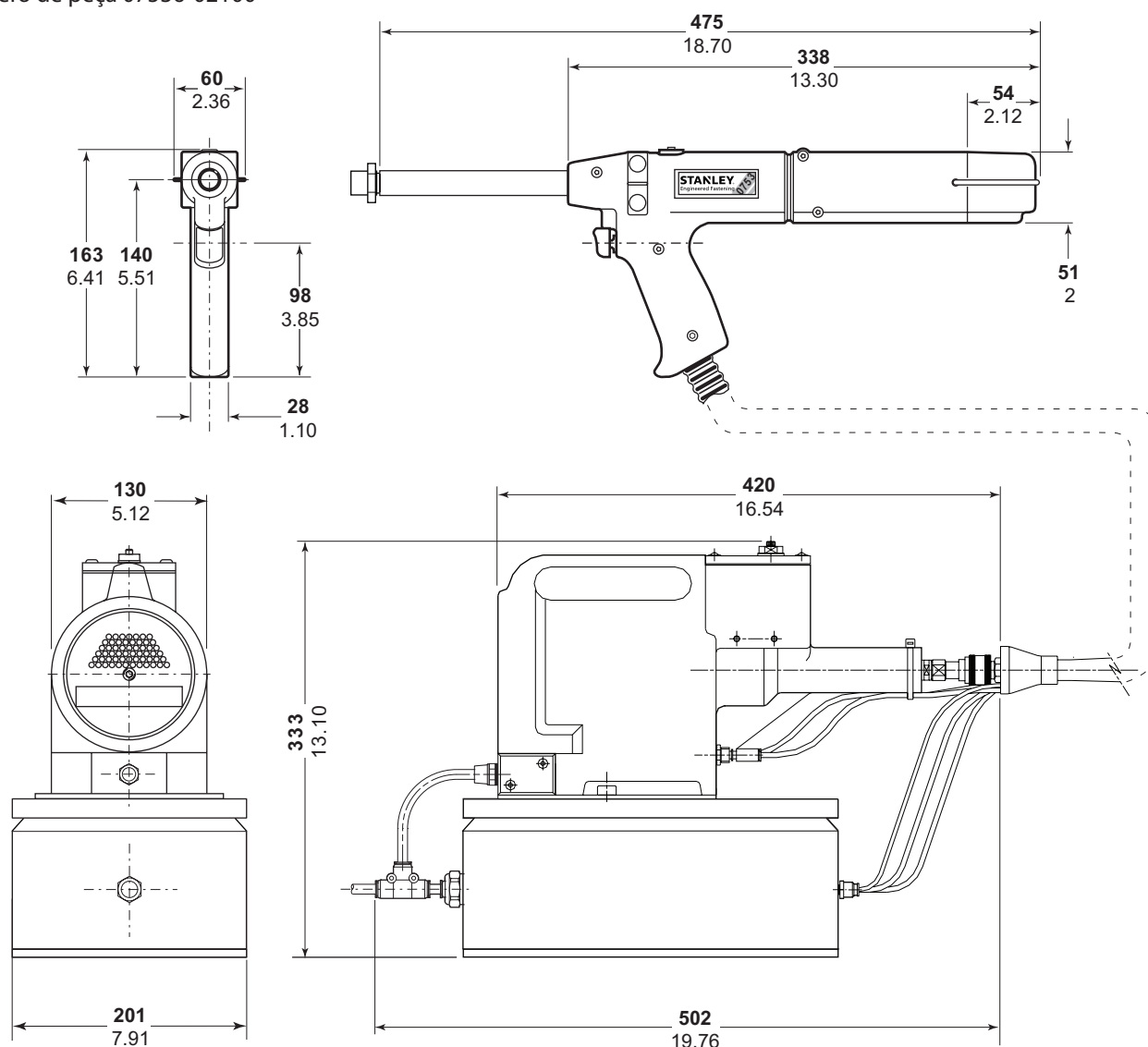
Os números de peça estão indicados para encomendar uma ferramenta completa, mas não inclui a ponteira.

O número da ferramenta do modelo 07536 é 07536-02200.
Consulte os conjuntos gerais indicados nas páginas 313-321.

NÃO utilize a ferramenta em ambientes húmidos ou na presença de gases ou líquidos inflamáveis.

3.1 DIMENSÕES DA FERRAMENTA - MODELO 07536

Número de peça 07536-02100



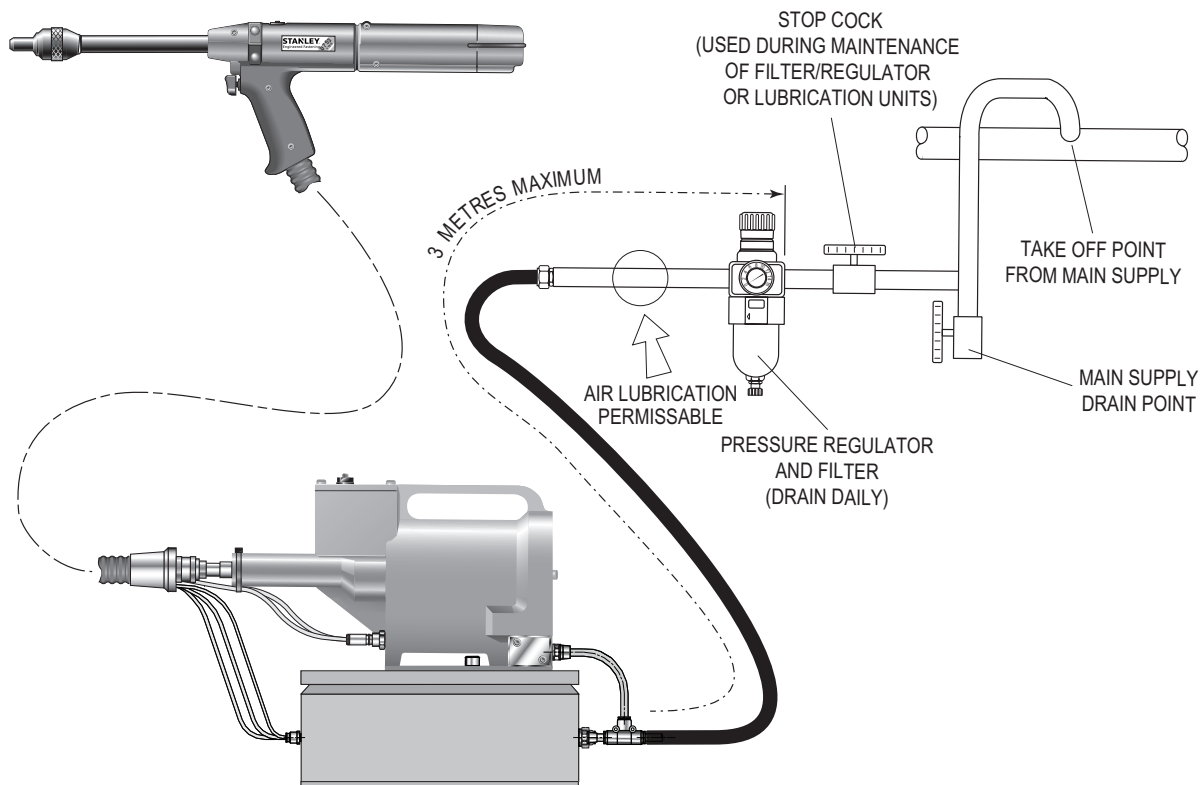
Dimensões em mm.

4. COLOCAÇÃO EM FUNCIONAMENTO

4.1 FORNECIMENTO DE AR

Todas as ferramentas funcionam com ar comprimido a uma pressão ideal de 5,5 bar. Recomendamos a utilização de reguladores de pressão e sistemas automáticos de lubrificação/filtragem no fornecimento de ar principal. Para garantir a máxima longevidade da ferramenta e a manutenção mínima da ferramenta, esta deve ser equipada a 3 metros da ferramenta (consulte o diagrama abaixo).

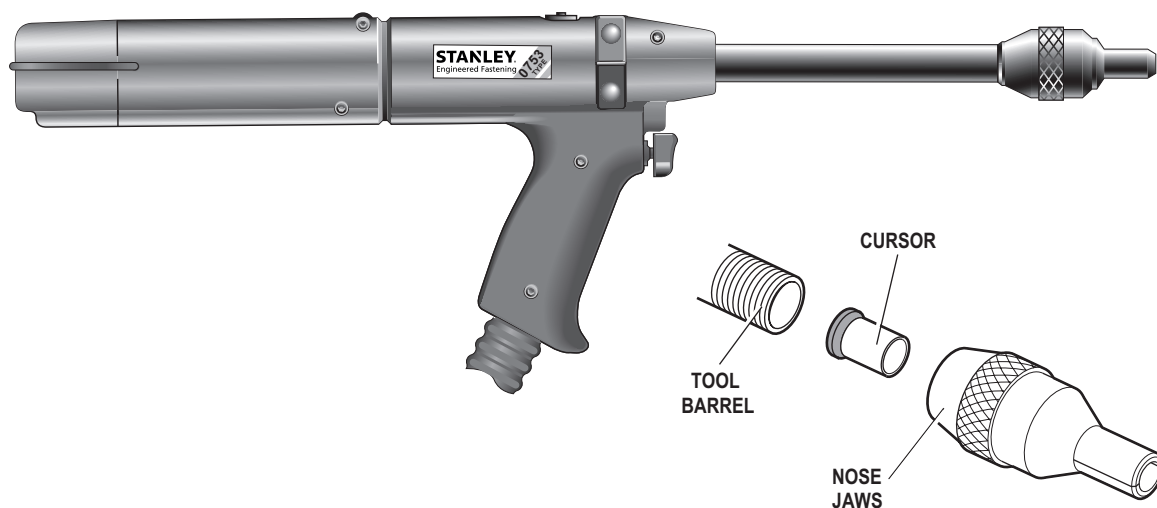
As mangueiras de fornecimento de ar devem ter um valor de pressão eficaz de trabalho mínima de 150 % da pressão máxima produzida no sistema ou de 10 bar, a que for mais elevada. Os tubos de ar devem ser resistentes ao óleo, ter um revestimento exterior resistente a abrasão e protegidas caso as condições de funcionamento causem danos nas mangueiras. Todas as mangueiras de fornecimento de ar DEVEM ter um diâmetro interno mínimo de 6,4 milímetros.



Quando ligar a ferramenta ao intensificador e ao fornecimento de ar principal, siga os passos indicados abaixo:

- Empurre a extremidade da mangueira hidráulica grande da ferramenta para dentro do conector de libertação rápida na extremidade do intensificador.
- Na superfície dianteira do intensificador (consulte a página 313):
 - Empurre a linha pneumática azul (diâmetro interno de 4 mm) no encaixe do redutor, que está situado no conector de anteparo esquerdo.
 - Empurre a linha pneumática azul (diâmetro interno de 4 mm) no anel de plástico do conector de anteparo direito.
- Na superfície dianteira da caixa de controlo (consulte a página 313):
 - Empurre o tubo pneumático prateado (diâmetro interno de 3 mm) para dentro do redutor com a etiqueta "Cursor" na superfície dianteira da caixa de controlo - lado esquerdo.
 - Empurre o tubo pneumático verde (diâmetro interno de 4 mm) para dentro do redutor com a etiqueta "Mordentes traseiros" na superfície dianteira da caixa de controlo - centro.
 - Empurre o tubo pneumático branco (diâmetro interno de 4mm) para dentro do redutor com a etiqueta "Sinal" na superfície dianteira da caixa de controlo - lado direito.
- Instale uma mangueira pneumática entre o conector macho na parte de trás do intensificador e o fornecimento de ar principal.

4.2 CURSORES DE AR



Seleção de cursores de ar

Consulte a ficha de dados individual 07900-00863 para saber quais são os componentes do conjunto da ponteira.

CURSOR

IMPORTANTE

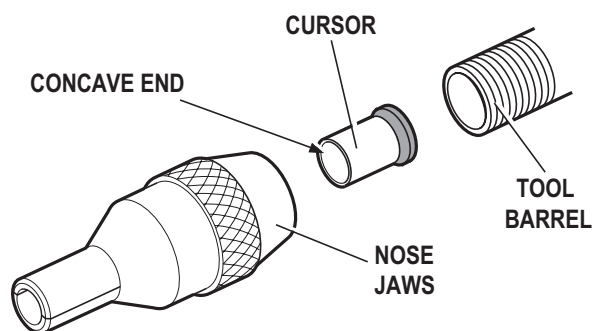
Se não estiver instalado correctamente, o cursor não permite o carregamento e a inserção dos fechos.

Apesar do cursor estar instalado correctamente quando a ferramenta for fornecida, recomendamos que verifique a orientação antes de instalar a ponteira. A ponta do cursor, ligeiramente côncava, deve apontar para a parte dianteira da ferramenta, como indicado na ilustração.

Para inverter a orientação do cursor, siga estes passos:

Deve ter muito cuidado quando efectuar o procedimento que se segue. Deve ter cuidado para evitar o tubo e o mandril saliente.

- Retire o conjunto da ponteira, caso haja um.
- Insira um mandril vazio por completo dentro da ferramenta.
- Feche os mordentes traseiros **32**, ligando o interruptor do mordente traseiro (itens **18** e **19**).
- Pouco depois, o cursor fica saliente em relação ao tubo.
- Abra os mordentes traseiros **32**, desligando o interruptor do mordente traseiro (itens **18** e **19**), isto irá libertar o mandril.
- Retire o cursor do mandril e insira o cursor no tubo.



4.3 CARREGAR E VOLTAR A CARREGAR A FERRAMENTA

IMPORTANTE

O procedimento do carregamento da ferramenta e a instalação da ponteira é integral.

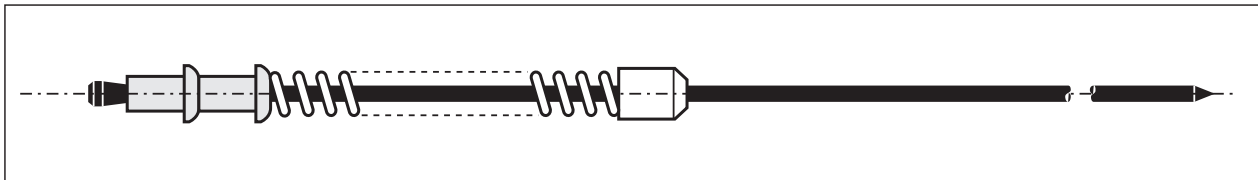
Se encomendar uma ferramenta ou um sistema completo, em situações normais recebe todas as ponteiros necessárias para a fixação do fecho.

Se tiver recebido um mordente de ponteira, mandril e molas accionadas pelo mandril, efectue o carregamento da ferramenta e a instalação da ponteira conforme indicado abaixo.

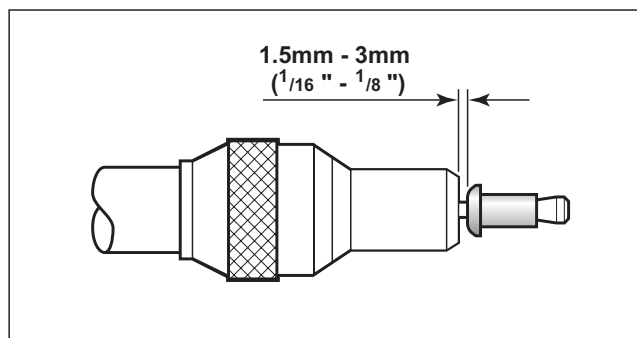
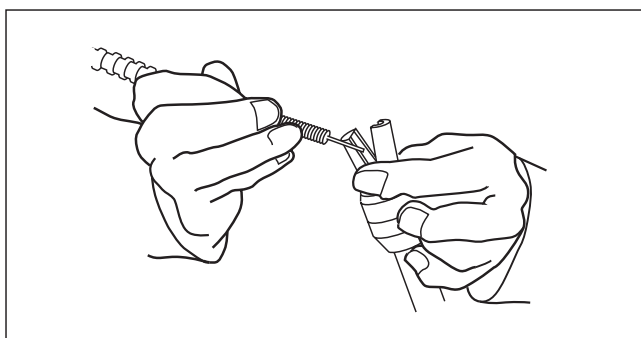
Os números de item em **negrito** dizem respeito à montagem geral e à lista de peças da ferramenta 07536-02200 nas páginas 317-318.

Carregar a ferramenta

- Ligue o fornecimento de ar à ferramenta.
- Abra os mordentes traseiros **32** que fixam o mandril, desligando o interruptor do mordente traseiro (itens **18** e **19**).
- Aperte os mordentes da ponteira seleccionados no tubo **44** da ferramenta.
- * Insira um mandril na extremidade traseira dos fechos através do invólucro do papel.
- Encaixe a mola accionada pelo mandril no mandril de modo a garantir a orientação correcta.



- Fixando a extremidade traseira do mandril, retire o invólucro de papel à volta dos fechos.
- Abra os mordentes da ponteira rodando o anel exterior nos mordentes accionados pelo came ou empurrando as extremidades dos mordentes para fora, como indicado na imagem abaixo à esquerda.
- Insira o mandril montado anteriormente, a mola accionada pelo mandril e os fechos nos mordentes da ponteira até o primeiro fecho que pretende fixar ficar saliente do mordente da ponteira.
- Feche os mordentes da ponteira e regule-os de modo a que o primeiro fecho fique saliente cerca de 1,5 mm a 3 mm ($1/16''$ a $1/8''$), como indicado na ilustração indicada abaixo à direita.
- Feche os mordentes traseiros **32** para garantir a fixação do mandril, ligando o interruptor do mordente traseiro (itens **18** e **19**).



Carregar de novo a ferramenta

- Abra os mordentes traseiros **32** da ferramenta, desligando o interruptor do mordente traseiro (itens **18** e **19**).
- Abra os mordentes da ponteira e retire o mandril vazio e a mola accionada pelo mandril para fora da ferramenta.
- Volte a carregar a ferramenta de acordo com as instruções indicadas acima, a partir da página •*.

Regular a ferramenta - apenas os conjuntos de ponteiras ajustáveis

Insira o mandril montado anteriormente (consulte Carregar a ferramenta •*) ou o mandril descartável dentro do batente no conjunto de pistões do mordente traseiro **60**.

Enquanto segura o mandril, feche os mordentes traseiros **32**, que fixam o mandril, ligando o interruptor do mordente traseiro (itens **18** e **19**).

Aperte a contraporca no tubo **44** da ferramenta.

Rode o conjunto da ponteira para dentro do tubo **44**.

Ajuste o conjunto a ponteira de modo que o primeiro fecho fique saliente cerca de 1,5 mm - 3 mm ($1/16''$ - $1/8''$), como indicado na ilustração na página 309.

Aperte a contraporca no conjunto da ponteira para evitar a deslocação do conjunto de mordentes da ponteira.

Os números de item em **negrito** dizem respeito à montagem geral e à lista de peças da ferramenta 07536-02200 nas páginas 317-318.

Carregar de novo a ferramenta

Abra os mordentes traseiros, desligando o interruptor dos mordentes traseiros (**18-19**).

Abra os mordentes da ponteira e retire o mandril vazio e a mola accionada para fora da ferramenta.

Insira o novo mandril no batente e feche os mordentes traseiros **32** que fixam o mandril, ligando o interruptor do mordente traseiro (**18 e 19**).

Feche os mordentes traseiros **32**.

4.4 PROCEDIMENTO DE FUNCIONAMENTO**IMPORTANTE**

Antes de utilizar a ferramenta, verifique se a orientação do cursor e a ponteira está correcta.

- Empurre o fecho, que está saliente nos mordentes da ponteira, totalmente para dentro dos furos da aplicação, de modo a garantir que a ferramenta fica quadrada.
- Carregue no gatilho sem libertá-lo. A cabeça do mandril é puxada através do fecho, de modo a formar o fecho na aplicação.
- Retire a ferramenta.
- Liberte o gatilho. O fecho seguinte é apresentado automaticamente através dos mordentes da ponteira, prontos para fixação.

5. ASSISTÊNCIA DA FERRAMENTA

A assistência periódica deve ser efectuada e deve ser efectuada uma inspecção rigorosa todos os anos ou a cada 500 000 ciclos, a que for mais cedo.

IMPORTANTE

O empregador é responsável por garantir que as instruções de manutenção da ferramenta são fornecidas aos técnicos adequados.

O utilizador não deve proceder à manutenção ou reparação da ferramenta, a menos que tenha recebido formação adequada.

5.1 CAIXA DE CONTROLO PNEUMÁTICA

IMPORTANTE

A caixa pneumática não deve ser aberta em nenhuma circunstância. A caixa é um objecto fechado.

Os ajustes internos estão predefinidos e não devem ser alterados ou adulterados.

Esta caixa de controlo só pode ser desmontada por pessoal autorizado da STANLEY Engineered Fastening.

AVISO: Nunca utilize solventes ou outros produtos químicos abrasivos para limpar as peças não metálicas da ferramenta. Estes produtos químicos podem enfraquecer os materiais utilizados nestas peças.

5.2 ASSISTÊNCIA DIÁRIA

- Todos os dias, antes de utilizar ou quando colocar a ferramenta em funcionamento. Deite algumas gotas de óleo lubrificante limpo na entrada de ar do intensificador, caso não esteja instalado um lubrificante de ar no fornecimento de ar. Se utilizar a ferramenta de maneira contínua, o tubo de ar deve ser desligada do fornecimento de ar principal e a ferramenta deve ser lubrificada a cada duas ou três horas.
- Verifique se existem fugas de ar e óleo. As mangueiras e os acoplamentos gastos ou danificados devem ser substituídos.
- Se não estiver instalado um filtro no regulador de pressão, purgue o tubo de ar para remover qualquer sujidade ou água acumuladas antes de ligar o tubo de ar ao intensificador. Se tiver um filtro, faça a drenagem.
- Verifique se a ponteira está correcta.
- Verifique com frequência se os mandris apresentam sinais de desgaste ou se as fixações apresentam danos (leia as instruções de segurança na página 302-304).

5.3 ASSISTÊNCIA DIÁRIA

- Efectue na íntegra os procedimentos "Diários", como descrito acima.
- Retire, inspeccione, limpe e lubrifique os mordentes traseiros (consulte "Cilindro do mordente traseiro" na secção "Manutenção" na página 314).
- Verifique se o nível de óleo no depósito da unidade de intensificação é aproximadamente de 12 mm (1/2") abaixo da placa da tampa transparente.

5.4 GRAXA MOLY LITHIUM EP 3753: DADOS DE SEGURANÇA

A graxa pode ser encomendada como um único artigo, o número de peça está indicado no kit de assistência na página 312.

Primeiros socorros

PELE:

Uma vez que a massa lubrificante é totalmente à prova de água, a melhor maneira de removê-la é com um produto de limpeza da pele emulsionante.

INGESTÃO:

Certifique-se de que a pessoa bebe 30 ml de leite de magnésia, de preferência num copo de leite.

OLHOS:

Irritante, mas não nocivo. Irrigue com água e contacte um médico.

Fogo

PONTO DE IGNIÇÃO: Superior a 220 °C.

Não classificado como inflamável.

Meio adequado de extinção: CO₂, halon ou pulverização de água, se aplicado por um operador experiente.

Ambiente

Recolha para incineração ou eliminação num local aprovado.

Manuseamento

Use creme ou luvas resistentes a óleo.

Armazenamento

Mantenha afastado de calor e agentes oxidantes.

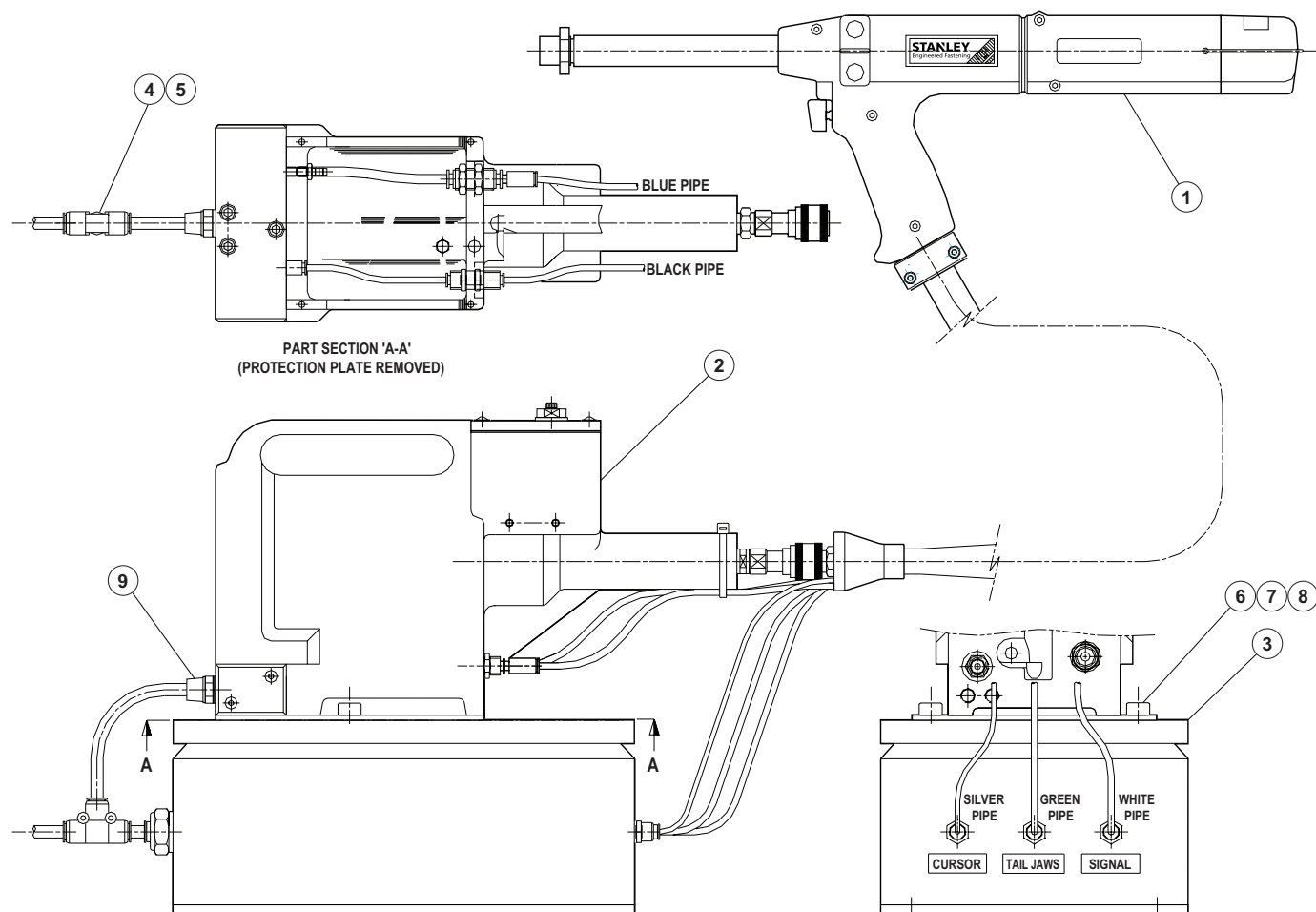
5.5 KIT DE ASSISTÊNCIA

No que respeita a todas as tarefas de assistência, recomendamos a utilização do kit de assistência (número de peça 07900-05300).

KIT DE ASSISTÊNCIA					
N.º DE PEÇA DO ARTIGO	DESCRIÇÃO	N.º DESLIGADO	N.º DE PEÇA DO ARTIGO	DESCRIÇÃO	N.º DESLIGADO
07900-00157	ALICATE PARA ANÉIS DE FIXAÇÃO	1	07900-00352	GANCHO DE REMOÇÃO DE VEDANTES	1
07900-00006	ESPÁTULA	1	07900-00710	CHAVE INGLESA DE REMOÇÃO DO TAMPÃO CILÍNDRICO	1
07900-00446	EXTRACTOR	1	07900-00725	MARCA	1
07900-00603	MORDENTES DE TORNO DO TUBO	1	07900-00243	CHAVE DE FENDAS	1
07900-00520	HASTE DE 3/8"	1	07900-00717	CHAVE DE INTENSIFICAÇÃO	1
07900-00521	HASTE DE 1/4"	1	07900-00013	CHAVE ALLEN DE 1/8"	1
07900-00602	MARCA DE MONTAGEM DE JUNTAS TÓRICAS	1	07900-00617	EMBALAGEM LOCTITE® PARA VÁRIAS JUNTAS 574, 50 ml	1
07900-00595	CHAVE DE 18 mm	1	07900-00469	CHAVE ALLEN DE 2,5 mm	1
07900-00434	CHAVE DE 32 mm	1	07900-00351	CHAVE ALLEN DE 3 mm	1
07900-00237	B.S.W. DE 3/8" × 5/16" CHAVE INGLESA	1	07900-00224	CHAVE ALLEN DE 4 mm	1
07900-00012	CHAVE DE 9/16" × 5/8"	1	07900-00225	CHAVE ALLEN DE 5 mm	1
07900-00008	CHAVE DE 7/16" × 1/2"	1	07992-00020	LATA DE GRAXA MOLY LITHIUM EP 3753, 80 g	1

Nota: Os tamanhos das chaves inglesas são medidas "em locais planos", excepto indicação em contrário.

5.6 CONJUNTO DE CAIXA DE CONTROLO, FERRAMENTA DO CURSOR DE AR E INTENSIFICADOR 07536-02100



ITEM	N.º DA PEÇA	DESCRIÇÃO	N.º DESLIGADO
1	07536-02200	FERRAMENTA PORTÁTIL DO CURSOR DE AR	1
2	07531-02200	FERRAMENTA DE INTENSIFICAÇÃO	1
3	07007-02024	CAIXA DE CONTROLO DO CURSOR DE AR	1
4	07005-10071	CONECTOR EM T	1
5	07005-10072	TUBO DE 8 MM (2,50 m)	1
6	74405-12080	NUTSERT M8 MODIFICADA	8
7	07001-00469	PARAFUSO DE CABEÇA CILÍNDRICA INTERIOR, M8 x 15	2
8	07002-00105	M8 ANILHA	4
9	07005-01573	CONECTOR MACHO, 8 MM	1
10	07005-01977	REDUTOR MACHO/FÊMEA 6 MM/4 MM	1

6. MANUTENÇÃO

A ferramenta deve ser desmontada por completo a cada 500 000 ciclos e devem ser utilizados novos componentes caso apresentem desgaste ou danos ou conforme recomendado. Todas as juntas tóricas e vedantes devem ser substituídos e lubrificados com graxa Moly Lithium EP 3753 antes de proceder à montagem.

IMPORTANTE

As instruções de segurança estão indicadas na página 4.

O empregador é responsável por garantir que as instruções de manutenção da ferramenta são fornecidas aos técnicos adequados.

O utilizador não deve proceder à manutenção ou reparação da ferramenta, a menos que tenha recebido formação adequada.

O tubo de ar deve ser desligado antes de proceder a qualquer tarefa de assistência ou desmontagem, excepto instrução específica em contrário.

É recomendável que qualquer operação de desmontagem seja efectuada em condições limpas.

Antes de desmontar a ferramenta, tem de retirar a ponteira.

Para proceder à assistência total, é aconselhável desmontar os sub-conjuntos pela ordem indicada abaixo depois de desligar a mangueira hidráulica da unidade de intensificação, os tubo de ar do intensificador e da caixa de controlo, separando a unidade da pistola da unidade de intensificação.

As substâncias potencialmente perigosas que podem acumular-se na máquina como resultado dos processos de trabalho devem ser removidas antes da manutenção.

6.1 DESMONTAR O MODELO 07536-02200

CILINDRO DO MORDENTE TRASEIRO

- Encaixe à mão o clipe de fixação **53** e retire a tampa de extremidade **59**.
- Utilizando uma chave Allen*, retire um parafuso **6**, de modo a garantir a saída do ar do cilindro do mordente traseiro. Retire o segundo parafuso de cabeça cilíndrica **6**.
- Retire o tampão traseiro **50**. **Nota:** Para facilitar a extracção da rosca de 5 mm na superfície traseira do tampão.
- Retire os componentes do mordente de ar traseiro, que incluem o conjunto do pistão do mordente traseiro **60**, batente **52**, junta tórica **12** e os mordentes **32**.
- Retire os componentes restantes, que incluem a mola 36 e a caixa dos mordentes **42**.
- O comprimento livre da mola **36** deve equivaler a 38,1 mm (1,5"). Substitua-os, se necessário.
- Retire a junta tórica de montagem do pistão **11**.
- Desligue o tubo de concertina do cursor de ar (verde) **49** do conector em ângulo **22**.
- Desligue o tubo de concertina do cursor de ar (prateado) **38** do Joelho canelado **30**.
- Utilizando uma chave Allen*, retire os cinco parafusos de fixação da moldagem da pega **3**, **4** e as quatro porcas **8** da pega da ferramenta.
- Fixe o tubo **44** num torno utilizando mordentes macios* para evitar danos.
- Utilizando uma chave de boca*, desaperte o tampão cilíndrico **46**, para impedir a rotação do tubo **44**, com uma chave inglesa plana*.
- Retire o cilindro do mordente traseiro **47** da ferramenta.
- Retire a junta tórica **14**, a faixa de fricção **41** e a mola de retorno do tubo **37**.
- Revista a superfície dos mordentes traseiros **32** com massa lubrificante Moly Lithium, em contacto com a caixa de mordentes **42**, antes de efectuar a montagem.
- Monte pela ordem inversa de desmontagem.

* Consulte os itens incluídos no kit de assistência 0753 MkII. Para obter uma lista completa, consulte a página 312. Os números de item em **negrito** dizem respeito à montagem geral e às listas de peças indicadas nas páginas 317-318.

PISTÃO HIDRÁULICO

- Retire o cilindro do mordente traseiro **47**, como descrito acima.
- Fixe o corpo **45** no torno com mordentes macios* para evitar danos, desaperte o regulador de curso **40**.
- Utilizando uma chave Allen*, desaperte o parafuso **5** que fixa o bloco de interruptores **54** no tubo **44**.
- Segure a ferramenta com firmeza e retire o tubo **44** do corpo **45** (pode sair uma pequena quantidade de óleo hidráulico do interior do conjunto da cabeça).
- Retire o pistão **39** com cuidado para não danificar o diâmetro da cabeça.
- Retire o vedante **16**.
- É difícil retirar o vedante **17** sem danificá-lo, mas pode mantê-lo instalado durante a limpeza (desde que não seja afectado durante este procedimento). Se, no entanto, for necessário substituir o vedante **17** proceda da seguinte maneira:
- Com uma espátula*, retire o vedante **17** do corpo **45**, com cuidado para não danificar a cavidade e os furos do corpo. O vedante retirado **17** TEM DE SER eliminado.
- Para substituir o vedante **17**, desaperte o conjunto de tampões de purga **43** até a superfície interior com o diâmetro interno do corpo **45**. Isto proporciona uma passagem desimpedida para a inserção do novo vedante **17** através da parte de trás do corpo **45**.
- Verifique se o vedante **17** está bem lubrificado e virado para a posição correcta com a extremidade aberta do vedante virada para os mordentes traseiros.
- Conclua a montagem pela ordem inversa de desmontagem.

CONJUNTO DO GATILHO

- Para desmontar/reparar o conjunto, retire as tampas da ferramenta, como descrito anteriormente.
- Desligue todos os tubos de ar do conjunto com cuidado, para não danificá-lo. Retire o conjunto.
- Utilizando uma chave inglesa*, desaperte o dispositivo de retenção **34** e retire-o. Tenha cuidado para manter a mola **31**.
- Retire a junta tórica **10** com cuidado para não danificar o eixo **35** e as bases do dispositivo de fixação **34**.
- Limpe e volte a montar utilizando uma nova junta tórica **10**.
- Verifique o comprimento da mola **31**, que deve ter um comprimento livre de 12,7 mm (0,5"), substitua-a, se necessário.
- Monte pela ordem inversa de desmontagem.

VÁLVULA DE LIGAR/DESLIGAR O MORDENTE TRASEIRO

- A unidade foi concebida para uma assistência mínima durante a vida útil da ferramenta.
- Se for necessário desmontar a válvula, proceda do seguinte modo:
- Retire a caixa do gatilho **56**, como descrito na secção "Pistão hidráulico".
- Utilizando uma chave de fendas*, retire com cuidado a anilha de bloqueio em estrela de cromo **18** do enrolador do mordente traseiro **55** e deite fora a anilha.
- Retire o enrolador do mordente traseiro **55** do bloco de interruptores **54**.
- Tenha cuidado para não danificar o enrolador do mordente traseiro **55**, retire as juntas tóricas **12**.
- Limpe o enrolador e volte a montar as novas juntas tóricas **12** utilizando a marca de montagem* e insira-as no bloco de interruptores **54**, devendo ter em conta a orientação.
- Instale a nova anilha de bloqueio em estrela de cromo **18** fixando-a num torno com mordentes macios para evitar danos. NÃO UTILIZE FORÇA DESNECESSÁRIA.
- Conclua a montagem pela ordem inversa de desmontagem.

PEGA E TAMPA DA EXTREMIDADE

- Limpe e inspecione se as moldagens apresentam rachas ou outros danos.

* Consulte os itens incluídos no kit de assistência 0753 MkII. Para obter uma lista completa, consulte a página 312. Os números de item em **negrito** dizem respeito à montagem geral e às listas de peças indicadas nas páginas 317-318.

CURSOR

- Limpe e lubrifique o conjunto de cursores ocasionalmente com um pouco de óleo leve.

IMPORTANTE

**Efectue a assistência diária e semanal para verificar a ferramenta.
É SEMPRE necessário escorvar depois da ferramenta ter sido desmontada e antes de ser utilizada.**

* Consulte os itens incluídos no kit de assistência 0753 MkII. Para obter uma lista completa, consulte a página 312.
Os números de item em **negrito** dizem respeito à montagem geral e às listas de peças indicadas nas páginas 317-318.

6.3 LISTA DE PEÇAS DA FERRAMENTA DE BASE 07536-02200

LISTA DE PEÇAS DO MODELO 07536-02200									
ITEM	N.º DA PEÇA	DESCRIÇÃO	QTD.	SOBRESSELENTES	ITEM	N.º DA PEÇA	DESCRIÇÃO	QTD.	SOBRESSELENTES
1	07007-00392	ABRACADEIRA (NÃO MOSTRADA)	1	-	34	07220-00803	DISPOSITIVO DE RETENÇÃO	1	-
2	07001-00499	PARAFUSO SEXTAVADO INTERIOR, COMPRIDO, M3 x 5	3	-	35	07241-00208	EIXO	1	-
3	07001-00262	PARAFUSO DE TAMPA SEXTAVADA INTERIOR, COMPRIDO, M4 x 22	1	-	36	07154-00404	MOLA	1	-
4	07001-00401	PARAFUSO DE TAMPA SEXTAVADA INTERIOR, COMPRIDO, M4 x 10	4	-	37	07490-03002	MOLA DE RETORNO DO TUBO	1	-
5	07001-00404	PARAFUSO DE TAMPA SEXTAVADA INTERIOR, COMPRIDO, M5 x 6	1	-	38	07536-02211	TUBO EM CONCERTINA DO CURSOR DE AR DE 3 MM, PRATEADO	1	-
6	07001-00504	PARAFUSO DE TAMPA SEXTAVADA INTERIOR, COMPRIDO, M4 x 6	2	2	39	07536-00203	PISTÃO	1	-
7					40	07530-00204	REGULADOR DE CURSO	1	-
8	07002-00134	PORCA SEXTAVADA M4	4	-	41	07530-00206	FAIXA DE FRICÇÃO	1	1
9	07002-00153	ANILHA [DE PLÁSTICO] M4	2	-	42	07536-00208	CAIXA DE MORDENTES	1	-
10	07003-00022	JUNTA TÓRICA	1	-	43	07530-00500	CONJUNTO DE TAMPOES DE PURGA [ITENS 62 A 65] ●	1	-
11	07003-00113	JUNTA TÓRICA	3	3	44	07536-02201	TUBO	1	-
12	07003-00121	JUNTA TÓRICA	3	3	45	07530-02202	CARTUCHO	1	-
13	07003-00142	VEDANTE LIGADO BSP, 1/8"	1	1	46	07530-02205	TAMPÃO CILÍNDRICO	1	-
14	07003-00167	JUNTA TÓRICA	1	1	47	07536-02207	CILINDRO DO MORDENTE TRASEIRO	1	-
15	07003-00386	JUNTA TÓRICA	2	-	48	07530-02210	ETIQUETA	2	-
16	07003-00236	VEDANTE [DINÂMICO]	1	1	49	07536-02212	TUBO EM CONCERTINA DO CURSOR DE AR DE 4 MM, VERDE	1	-
17	07003-00237	VEDANTE [ESTÁTICO]	1	-	50	07536-02213	TAMPÃO TRASEIRO	1	-
18	07004-00058	ANILHA DE CRÓMIO STARLOCK, 1/8"	1	-	51	07530-00310	TAMPÃO OBTURADOR	2	-
19	07004-00059	ANILHA STARLOCK, PRETA, 1/8"	1	-	52	07536-02214	PARAR	1	-
20	07005-10073	CONECTOR DE 3 MM	1	-	53	07530-02220	CLIQUE	1	-
21	07005-01357	CONECTOR DO TIPO ANEL	1	-	54	07530-02301	BLOCO DE INTERRUPTORES	1	-
22	07005-01571	CONECTOR EM ÂNGULO	3	-	55	07530-02302	ENROLADOR DO MORDENTE TRASEIRO	1	-
23	07536-02216	CONTRAPORCA	1	-	56	07530-02311	CAIXA DO GATILHO	1	-
24	07005-10074	CONECTOR DE 2 MM	1	-	57	07536-02601	CONJUNTO DA MOLDAGEM DA PEGA, LADO DIREITO	1	-
25	07007-00017	TAMPÃO ANTI-POEIRAS	1	-	58	07536-02602	CONJUNTO DA MOLDAGEM DA PEGA, LADO ESQUERDO	1	-
26	07007-00300	BOTÃO DO GATILHO	1	-	59	07530-02603	TAMPA DA EXTREMIDADE	1	-
27	73200-02022	ETIQUETA DE SEGURANÇA	1	-	60	07536-02800	CONJUNTO DE PISTÕES DO MORDENTE TRASEIRO	1	-
28	07007-01504	ETIQUETA DA MARCA "CE"	1	-	61	07536-02215	ADAPTADOR DE ENCAIXE	1	-
29	07008-00438	CONJUNTO DE TUBOS FLEXÍVEIS	1	-	62	07003-00142	●VEDANTE SELADO (NÃO APRESENTADO)	1	1
30	07005-01323	JOELHO CANELADO M3	1	-	63	07003-00194	●VEDANTE SELADO (NÃO APRESENTADO)	1	1
31	07125-00215	MOLA	1	-	64	07001-00442	●PARAFUSO (NÃO APRESENTADO)	1	1
32	07151-00403	MANDÍBULAS TRASEIRAS	1 par	2	65	07530-00501	●FICHA (NÃO APRESENTADO)	1	-
33	07003-00016	JUNTA TÓRICA	1						

6.4 INSTRUÇÕES DE DESMONTAGEM

- Quando desmontar o conjunto do intensificador, desligue primeiro a mangueira de fornecimento de ar do conector de entrada do intensificador **22**.
- Com uma chave Allen*, desaperte os quatro parafusos **27** e retire a placa de protecção **24**.
- Desligue o tubo do gatilho **47** da válvula intensificadora **43** ou **48** premindo o anel exterior e retire o tubo.
- Retire a placa de cobertura **4** e a junta **35**, retirando os parafusos **37** e as anilhas **36** utilizando a chave Allen*.
- Verifique se a junta não está danificada para garantir uma vedação adequada no conjunto.
- Inverta o conjunto do intensificador e drene o óleo do depósito para um recipiente adequado.
- Retire o conector de libertação rápida **32** em conjunto com o conector **31** e os vedantes **33** com uma chave inglesa adequada*.
- Retire a válvula intensificadora **43** ou **48** removendo os parafusos de fixação com uma chave inglesa adequada com cuidado para manter a junta tórica **21** situada no molde do corpo do intensificador.
- Retire o parafuso **19** com uma chave Allen adequada* e retire a cobertura do silenciador **16**, silenciador de espuma **15**, espaçador **18** e a placa de retenção **20**.
- Retire o tubo de plástico de 6 mm **41** dos conectores de vácuo **42**.
- Na base do intensificador, insira uma chave Allen de 3 mm* através das duas aberturas e desaperte os conectores de vácuo **42**. Nota:
 - Deve ter cuidado porque os conectores de vácuo estão bloqueados e vedados com Loctite® 574.
 - Se tiver dificuldade em retirá-los, os conectores de vácuo podem ser retirados com um berbequim com $\frac{3}{16}$ " ou 4,7 mm de diâmetro.
- Para voltar a montar os conectores de vácuo **42**, deve efectuar o seguinte procedimento: -
 - Impregne os conectores de vácuo num primário adequado, ou seja, Perma Bond A905
 - Deite uma gota de Loctite® 574 na abertura roscada do intensificador.
 - Na base do intensificador, insira a chave Allen* através da abertura. Certifique-se de que a chave Allen* não tem Loctite® 574 antes de inseri-la no conector de vácuo.
 - Rode a chave Allen, ao mesmo tempo que aplica Loctite® 574 na base do conector de vácuo.
 - Aperte o conector de vácuo no intensificador, certificando-se de que há Loctite® 574 suficiente na base do encaixe, de modo a que a rosca não fique visível.
- Com uma chave de fendas, retire com cuidado o anel de retenção interno **14**. Limpe e inspeccione se a ranhura apresenta sinais de danos.
- Com o extractor*, insira a extremidade roscada macho na cobertura da extremidade **12** e retire-a em conjunto com a manga do intensificador **28** e as juntas tóricas **10** e **13**.
- Insira a haste* através do orifício do conector na parte dianteira do corpo do intensificador e faça sair com umas ligeiras pancadas a haste do pistão **9** e o conjunto do pistão.
- Com uma chave Allen adequada*, desaperte os dois parafusos **25** e retire a cobertura de extremidade **12** da manga do intensificador **28**.
- Retire o tampão vedante **7** com a chave inglesa*.
- Insira a haste* através do orifício do conector na parte dianteira do corpo do intensificador e puxe para fora a caixa de vedantes **5** e as juntas tóricas e vedantes associados.
- Retire o conjunto da caixa de válvulas **34** do corpo principal com uma chave inglesa adequada*. Para limpar, sopre com um jacto de ar de baixa pressão.
- Retire a haste do pistão **9** do pistão pneumático do intensificador **11** agarrando 20 mm ($\frac{3}{4}$ " da haste num torno montado com mordentes macios. Deve fazê-lo com cuidado para não danificar ou marcar a superfície de trabalho.
- Desaperte a contraporca **17** com uma chave inglesa adequada*.
- Monte pela ordem inversa de desmontagem, devendo ter em conta o seguinte:

* Consulte os itens incluídos no kit de assistência 0753 MkII. Para obter uma lista completa, consulte a página 312. Os números de item em **negrito** dizem respeito à ilustração e à lista de peças no lado oposto.

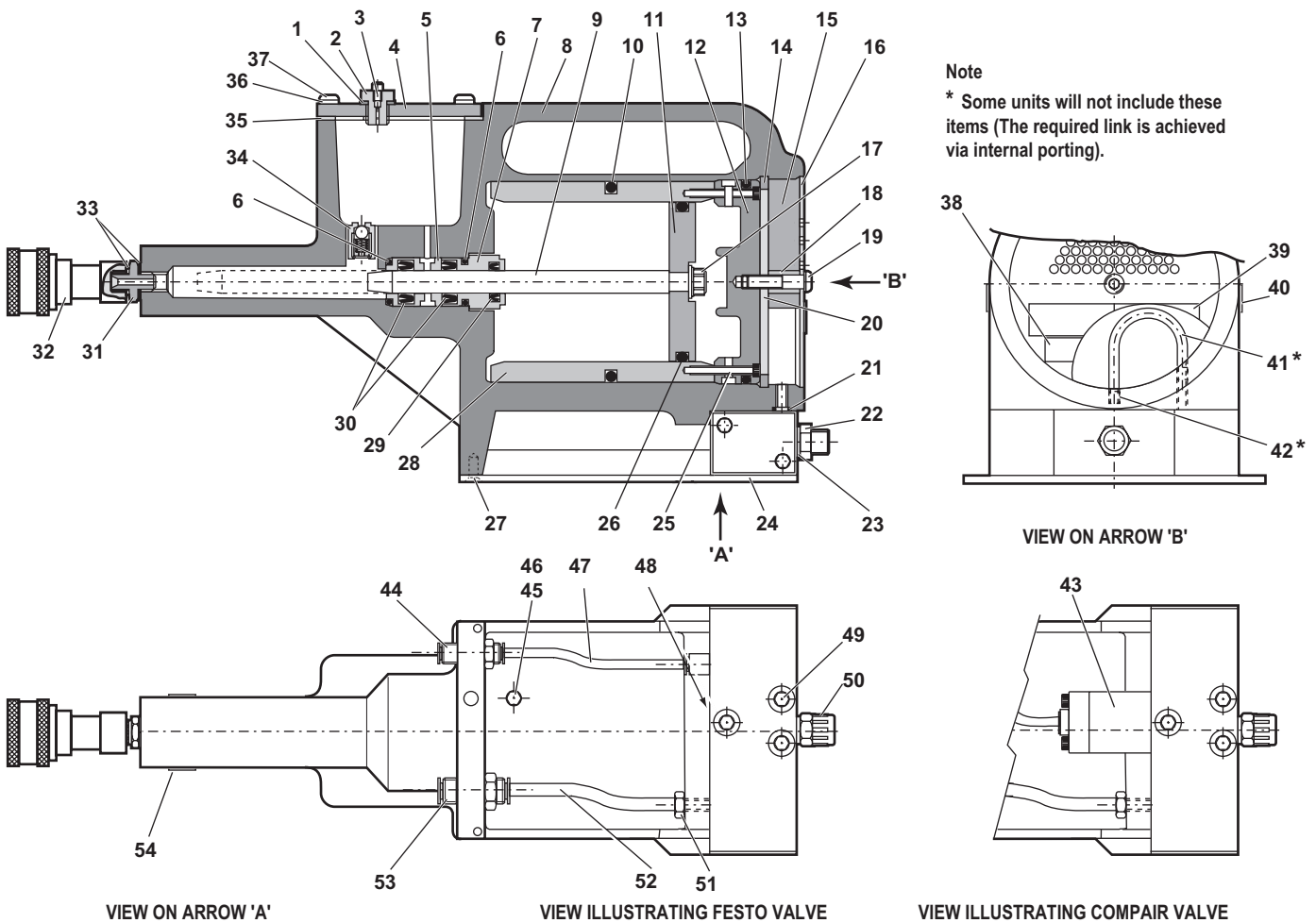
- Limpe todas as peças e substitua todas as juntas tóricas.
- Lubrifique todos os vedantes com graxa Moly Lithium.
- O conjunto da caixa de válvulas **34** deve ser montado novamente com um adesivo de vedação de rosca.
- Monte o conjunto de pistões utilizando uma nova porca **17**.
- A cobertura da extremidade **12** deve ser instalada correctamente no interior do anel de retenção **14**. A ferramenta não deve ser utilizada se a cobertura da extremidade não tiver sido instalada.

IMPORTANTE
É SEMPRE necessário escorvar depois da ferramenta ter sido desmontada e antes de ser utilizada.

6.5 PROTECÇÃO DO AMBIENTE

Assegure a conformidade com a regulamentação de eliminação aplicáveis. Deite todos os resíduos numa instalação ou depósito de resíduos aprovado para não expor os técnicos e o ambiente a riscos.

6.6 INTENSIFICADOR 07531-02200



* Consulte os itens incluídos no kit de assistência 0753 MkII. Para obter uma lista completa, consulte a página 312. Os números de item em **negrito** dizem respeito à ilustração e à lista de peças no lado oposto.

LISTA DE PEÇAS 07531-02200											
ITEM	N.º DA PEÇA	DESCRIÇÃO	QTD. SOBRESSELENTES	ITEM	N.º DA PEÇA	DESCRIÇÃO	QTD. SOBRESSELENTES	ITEM	N.º DA PEÇA	DESCRIÇÃO	QTD. SOBRESSELENTES
1	07003-00037	VEDANTE	1	28	07531-00201	MANGA	1				-
2	07240-00211	PARAFUSO DE ENCHIMENTO	1	29	07003-00337	ANEL DE RETENÇÃO	1				1
3	07001-00418	TAMPÃO DE PURGA	1	30	07003-00336	ANEL DE RETENÇÃO	2				2
4	07240-00210	PLACA DE COBERTURA	1	31	07005-00406	CONECTOR	1				-
5	71420-02006	CAIXA DE VEDANTES	1	32	07005-00759	CONECTOR DE LIBERTAÇÃO RÁPIDA	1				-
6	07003-00153	JUNTA TÓRICA	2	33	07003-00142	VEDANTE	2				1
7	71420-02007	TAMPÃO VEDANTE	1	34	07240-00400	CONJUNTO DA CAIXA DE VÁLVULAS	1				-
8	71420-02300	CONJUNTO DO CORPO	1	35	07240-00209	JUNTA	1				1
9	71420-02008	HASTE DO PISTÃO	1	36	07002-00073	ANILHA	4				1
10	07003-00182	JUNTA TÓRICA	1	37	07001-00554	DE BLOQUEIO	4				1
11	07531-00202	PISTÃO PNEUMÁTICO	1	38	07007-01504	ETIQUETA	1				-
12	07531-00204	COBERTURA DA EXTREMIDADE	1	39	07240-00217	ETIQUETA	1				-
13	07003-00183	JUNTA TÓRICA	1	40	07531-00205	ETIQUETA	2				-
14	07004-00069	ANEL DE RETENÇÃO	1	41	07005-00596	*TUBO DE PLÁSTICO DE 6 mm	-				-
15	07240-00213	SILENCIADOR DE ESPUMA	1	42	07245-00103	* CONECTOR DE VÁCUO	2				-
16	07240-00214	TAMPA DO SILENCIADOR	1	43	07005-00590	VÁLVULA COMPAIR	1				1
17	07002-00017	PORCA	1	44	07005-01431	CONECTOR DE ANTEPARO	1				1
18	07240-00215	PORCA SEPARADORA	1	45	07005-00668	TAMPÃO M5	1				-
19	07001-00417	DE BLOQUEIO	1	46	07005-00670	ANEL DE RETENÇÃO M5	1				-
20	07240-00216	PLACA DE RETENÇÃO	1	47	07005-01084	TUBO DE PLÁSTICO DE 4 mm (150 mm)	-				-
21	*07003-00042	JUNTA TÓRICA	1	48	07005-01524	VÁLVULA FESTO	1				-
22	07005-00041	CONECTOR	1	49	07001-00176	DE BLOQUEIO	3				-
23	07003-00065	ANILHA	1	50	07007-00292	TAMPA VERMELHO BSP DE 1/4"	1				-
24	07240-00220	PLACA DE PROTECÇÃO	1	51	07005-00647	CONECTOR	1				-
25	07001-00375	DE BLOQUEIO	2	52	07005-01085	TUBO DE PLÁSTICO DE 6 mm (150 mm)	-				-
26	07003-00238	JUNTA TÓRICA	1	53	07005-00855	UNIÃO DE ANTEPARO	1				-
27	07001-00396	DE BLOQUEIO	4	54	73200-02022	ETIQUETA DE SEGURANÇA	1				-

7. ESCORVAR

É SEMPRE necessário escorvar depois da ferramenta ter sido desmontada e antes de ser utilizada. Pode ser também necessário recuperar o curso total após uma utilização considerável, se for necessário reduzir o curso e se os fechos não estiverem totalmente colocados através de uma utilização do gatilho.

7.1 INFORMAÇÕES SOBRE O ÓLEO

O óleo recomendado para escorvar é Hyspin® VG32 e AWS 32, disponível em 0,5 l (número de peça 07992-00002) ou recipientes de um galão (número de peça 07992-00006). Consulte os dados de segurança indicados abaixo.

7.2 DADOS DE SEGURANÇA DOS ÓLEOS HYPIN® VG 32 E AWS 32

Primeiros socorros

PELE:

Lave bem com sabão e água assim que possível. O contacto casual não exige atenção imediata. O contacto breve não exige atenção imediata.

INGESTÃO:

Contacte um médico de imediato. NÃO induza o vómito.

OLHOS:

Irrigue-os de imediato com água durante vários minutos. Apesar de NÃO ser um irritante primário, pode ocorrer irritação ligeira após o contacto.

Fogo

Meio adequado de extinção: CO₂, pó seco, espuma ou neblina de água. NÃO utilize jactos de água.

Ambiente

ELIMINAÇÃO DE RESÍDUOS: Contacte um contratante autorizado para obter uma instalação licenciada. Pode ser incinerado. O produto usado pode ser enviado para reclamação.

DERRAME: Evite deitá-lo em canalizações, esgotos e cursos de água. Ensopar com material absorvente.

Manuseamento

Use protecção ocular, luvas impermeáveis (por exemplo, de PVC) e um avental de plástico. Utilize num local bem ventilado.

Armazenamento

Não são necessárias precauções especiais.

7.3 PROCEDIMENTO DE ESCORVAMENTO

IMPORTANTE

NÃO UTILIZE O GATILHO SE O TAMPÃO DE PURGA TIVER SIDO REMOVIDO

Todas as operações devem ser efectuadas numa bancada limpa, com as mãos limpas e numa área limpa.

O novo óleo deve estar limpo e não apresentar bolhas de ar.

DEVE ter sempre cuidado para garantir que não entram substâncias estranhas na ferramenta, caso contrário podem ocorrer danos graves.

- Retire o parafuso **2** e o vedante **1** da placa de cobertura de plástico **4** no depósito do intensificador.
- Deite o óleo de escorvamento no depósito até ficar a cerca de 1/2" (12 mm) do topo.
- Volte a colocar o parafuso **2** e o vedante **1**.
- Ligue a unidade de intensificação ao fornecimento de ar. Retire o parafuso do depósito.
- Com a unidade da pistola instalada na unidade de intensificação e fixada abaixo do nível da unidade de intensificação, desaperte o parafuso de purga **64** do conjunto de tampões de purga **43** na ferramenta 07536 duas voltas e aguarde até o óleo sair da ferramenta.
- Quando o óleo fluir livremente e não saírem bolhas de ar, aperte o parafuso de purga.
- Ateste o depósito na unidade de intensificação com óleo de escorvamento.
- Ligue e desligue a ferramenta até as bolhas de ar presentes no óleo serem expelidas para o depósito de óleo.

Os números de item em **negrito**, dizem respeito à montagem geral e às listas de peças indicadas nas páginas 317-320.

8. DIAGNÓSTICO DE AVARIAS

SINTOMA	CAUSA POSSÍVEL	SOLUÇÃO	PÁGINA DE REF.
A ferramenta não coloca o fecho	Pressão de ar reduzida.	Aumente a pressão do ar	
	Falta de lubrificação.	Lubrifique a ferramenta no ponto de entrada de ar	
	Carga de mandril elevada.	Verifique a fixação do fecho e o tamanho do furo da aplicação	
	Verifique se o tamanho do mandril está correcto.		
	Os mordentes traseiros estão desligados.	Ligue os mordentes traseiros	
	Ar no sistema hidráulico.	Consulte "Procedimento de escorvamento"	322
"Deslize do mandril", os mordentes não fixam o mandril	Mordentes traseiros gastos ou sujos.	Limpe-os ou renove-os conforme necessário	
	' Pressão de ar/volume insuficientes.	Aumente a pressão/volume do ar	
	' O interruptor dos mordentes traseiros não funciona.	Substitua o interruptor	
	' Fugas de ar nos mordentes traseiros.	Substitua as juntas tóricas no pistão 11	
	O mandril está partido e não consegue entrar em contacto com os mordentes traseiros.	Substitua o mandril	
	Falha na caixa de controlo pneumática.	Contacte o pessoal da Stanley Engineered Fastening	
Os mordentes não libertam o mandril	Os mordentes traseiros ou a caixa dos mordentes estão sujos.	Limpe e lubrifique	
	O interruptor do mordente traseiro está defeituoso.	Volte a colocar as juntas tóricas	
	Sinal de ar acumulado	Verificar os tubos pneumáticos	
	Falha na caixa de controlo pneumática	Contacte o pessoal da Stanley Engineered Fastening	
Os fechos não são inseridos através dos mordentes da ponteira	Os mordentes traseiros não estão ligados.	Ligue os mordentes traseiros	
	Os mordentes traseiros estão gastos.	Substitua os mordentes traseiros	
	A orientação do cursor está incorrecta.	Volte a instalar de acordo com a orientação correcta	
	Cursor incorrecto	Instale o cursor correcto	
	Os mordentes da ponteira estão incorrectos.	Instale os mordentes de ponteira correctas	
	A mola accionada pelo mandril não está instalada.	Instale correctamente a mola accionada pelo mandril	
	Comprimento da mola accionada pelo mandril	Instale correctamente a mola accionada pelo mandril	
	Folga incorrecta entre a cabeça do fecho e os mordentes da ponteira quando é carregada.	Regule a folga entre 1,5 mm e 3 mm (1/16" e 1/8") Consulte "Carregar a ferramenta"	309-310
	O cursor está bloqueado.	Limpe e lubrifique o cursor	
	cursor de ar gasto	Substitua o cursor	
	Foi montada uma mola accionada pelo mandril incorrecta.	Instale correctamente a mola accionada pelo mandril	
Mola de retorno do tubo gasto ou partido	Substitua a mola de retorno do tubo		
Excesso de desgaste no mordente traseiro	Carga de mandril elevada.		
	Verifique o tamanho e a espessura do furo da aplicação e a capacidade de fixação do parafuso		
É inserido mais de um fecho de cada vez	Deslize do mandril.	Verifique se ocorreu um deslize do mandril, fase 2	
	Folga incorrecta entre a cabeça do fecho e os mordentes da ponteira quando é carregada	Regule a folga entre 1,5 mm e 3 mm (1/16" e 1/8") Consulte "Carregar a ferramenta" na página	309-310

Outros sintomas ou falhas devem ser comunicados ao seu distribuidor ou centro de reparação local autorizado da Stanley Engineered Fastening.

NOTAS

9. DECLARAÇÃO CE DE CONFORMIDADE

Nós, a **STANLEY Engineered Fastening, Stanley House, Works Road, Letchworth Garden City, Hertfordshire, SG6 1JY, REINO UNIDO**, declaramos sob nossa exclusiva responsabilidade que o produto:

Descrição: Ferramenta de repetição hidro-pneumática para rebites rápidos

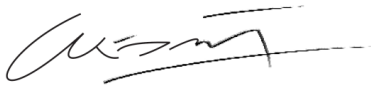
Modelo: 07536

ao qual esta declaração se refere está em conformidade com as seguintes normas harmonizadas:

ISO 12100:2010	EN ISO 3744:2010
EN ISO 11202:2010	EN ISO 11148-1:2011
EN ISO 4413:2010	BS EN 28662-1:1993
EN ISO 4414:2010	EN ISO 20643:2008+A1:2012
EN ISO 28927-5:2009+A1:2015	ES100118-rev. 17:2017

A documentação técnica é compilada de acordo com o Anexo VII, em conformidade com a seguinte Directiva: **2006/42/CE Directiva "Máquinas"** (Instrumentos Estatutários no Reino Unido 2008 N.º 1597 - Fornecimento de regulamentos (de segurança) sobre máquinas).

O abaixo assinado faz esta declaração em nome da STANLEY Engineered Fastening



A. K. Seewraj

Director de Engenharia, Reino Unido

Avdel UK Limited, Stanley House, Works Road, Letchworth Garden City, Hertfordshire, SG6 1JY REINO UNIDO

Local de emissão: Letchworth Garden City, Reino Unido

Data de emissão: 01/01/2021

O abaixo assinado é responsável pela compilação do ficheiro técnico dos produtos vendidos na União Europeia e faz esta declaração em nome da Stanley Engineered Fastening.

Matthias Appel

Responsável pela Equipa de Documentação Técnica

Stanley Engineered Fastening, Tucker GmbH, Max-Eyth-Str.1, 35394 Gießen, Alemanha



Esta máquina está em conformidade com a
Directiva sobre máquinas 2006/42/CE

10. DECLARAÇÃO DE CONFORMIDADE DO REINO UNIDO

Nós, a **STANLEY Engineered Fastening, Stanley House, Works Road, Letchworth Garden City, Hertfordshire, SG6 1JY, REINO UNIDO**, declaramos sob nossa exclusiva responsabilidade que o produto:

Descrição: Ferramenta de repetição hidro-pneumática para rebites rápidos

Modelo: 07536

ao qual esta declaração se refere está em conformidade com as seguintes normas designadas:

ISO 12100:2010	EN ISO 3744:2010
EN ISO 11202:2010	EN ISO 11148-1:2011
EN ISO 4413:2010	BS EN 28662-1:1993
EN ISO 4414:2010	EN ISO 20643:2008+A1:2012
EN ISO 28927-5:2009+A1:2015	ES100118-rev. 17:2017

A documentação técnica é compilada de acordo com o Fornecimento de regulamentos (de segurança) sobre máquinas de 2008, S.I. 2008/1597 (tal como alterado).

O abaixo assinado faz esta declaração em nome da STANLEY Engineered Fastening



A. K. Seewraj

Director de Engenharia, Reino Unido

Avdel UK Limited, Stanley House, Works Road, Letchworth Garden City, Hertfordshire,
SG6 1JY REINO UNIDO

Local de emissão: Letchworth Garden City, Reino Unido

Data de emissão: 01/01/2021



Esta máquina está em conformidade com a
Fornecimento de regras (de segurança) sobre máquinas de
2008,
S.I. 2008/1597 (tal como alterado)

11. PROTEJA O SEU INVESTIMENTO!

GARANTIA DA FERRAMENTA DE REBITES CEGOS DA Stanley® Engineered Fastening

A STANLEY® Engineered Fastening garante que todas as ferramentas foram fabricadas e não apresentam quaisquer defeitos em termos de material e mão-de-obra em condições de utilização normal e serviço durante o período de um (1) ano.

Esta garantia aplica-se ao comprador da ferramenta apenas para utilização original.

Exclusões:

Desgaste normal.

A manutenção periódica, a reparação e as peças sobresselentes sujeitas a desgaste normal estão excluídas da cobertura.

Abuso e uso indevido.

Os defeitos ou danos que resultem do funcionamento incorrecto, armazenamento, uso indevido ou abuso, como os danos físicos, estão excluídos da cobertura.

Assistência ou modificação não autorizadas.

Os defeitos ou danos que resultem da assistência, ajuste de teste, instalação, manutenção, alteração ou modificação por qualquer forma por qualquer pessoa que não seja a STANLEY® Engineered Fastening, ou os respectivos centros de assistência autorizados, estão excluídos da cobertura.

Todas as outras garantias, expressas ou implícitas, incluindo quaisquer garantias de mercantildade ou adequação à finalidade estão excluídas.

Se esta ferramenta não estiver em conformidade com a garantia, envie a ferramenta de imediato para o nosso centro de assistência autorizado mais próximo de si. Para obter uma lista dos centros de assistência autorizados da STANLEY® Engineered Fastening nos E.U.A. ou no Canadá, contacte-nos através do nosso número gratuito (877)364 2781.

Se não estiver nos E.U.A. e do Canadá, visite o nosso Website **www.StanleyEngineeredFastening.com** para encontrar o centro mais próximo da STANLEY Engineered Fastening.

A STANLEY Engineered Fastening irá substituir gratuitamente quaisquer peças que considerarmos defeituosas devido a material ou mão-de-obra defeituosa, e devolva a ferramenta pré-paga. Isto representa a nossa única obrigação no que respeita a esta garantia.

Em nenhuma circunstância a STANLEY Engineered Fastening será responsável por quaisquer danos consequenciais ou especiais resultantes da compra ou utilização desta ferramenta.

Registe online a sua ferramenta para rebites cegos.

Para registar a sua garantia online, visite -nos em <https://www.stanleyengineeredfastening.com/support/warranty-registration-form>

Obrigado por ter escolhido uma ferramenta da marca de tecnologia de montagem Stanley da STANLEY® Engineered Fastening.

STANLEY
Engineered Fastening

STANLEY Engineered Fastening

STANLEY House, Works Road
Letchworth Garden City
Hertfordshire, United Kingdom
SG6 1JY
Tel: +44 1582 900 000
Fax: +44 1582 900 001



Holding your world together®

Find your closest STANLEY Engineered Fastening location on
www.stanleyEngineeredFastening.com/contact
For an authorized distributor nearby please check
www.stanleyEngineeredFastening.com/econtact/distributors

Manual Number	Issue	C/N
07900-00846_EU	C	21/099

STANLEY
Assembly Technologies

Stanley Engineered Fastening — a division of Stanley Black and Decker — is the global leader in precision fastening and assembly solutions. Our industry-leading brands, Avdel®, Integra™, Nelson®, Optia™, POP®, Stanley® Assembly Technologies, and Tucker®, elevate what our customers create. Backed by a team of passionate and responsive problem-solvers, we empower engineers who are changing the world.

STANLEY ENGINEERED FASTENING FAMILY OF BRANDS

AVDEL

INTEGRA

NELSON

OPTIA

POP

STANLEY
Assembly Technologies

TUCKER