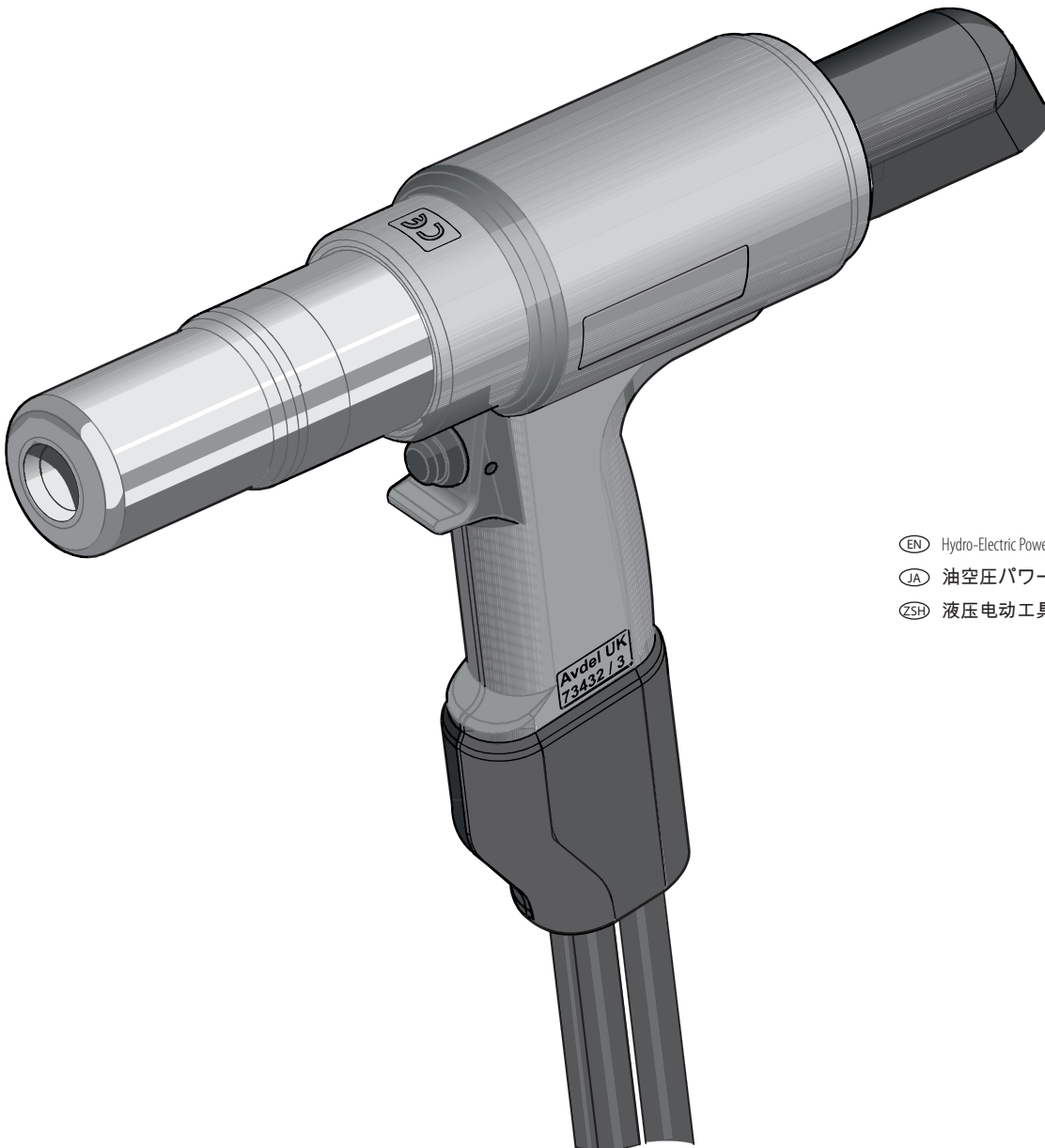


STANLEY
Engineered Fastening



INSTRUCTION AND SERVICE MANUAL



- ⓔN Hydro-Electric Power Tool
- ⓙA 油空圧パワーツール
- ⓏSH 液圧電動工具



AV®15 Installation Tool – 73432-02000

Hydro-Electric Power Tool

STANLEY
Assembly Technologies

©2019 STANLEY Black & Decker
All rights reserved.

The information provided may not be reproduced and/or made public in any way and through any means (electronically or mechanically) without prior explicit and written permission from STANLEY Engineered Fastening. The information provided is based on the data known at the moment of the introduction of this product. STANLEY Engineered Fastening pursues a policy of continuous product improvement and therefore the products may be subject to change. The information provided is applicable to the product as delivered by STANLEY Engineered Fastening. Therefore, STANLEY Engineered Fastening cannot be held liable for any damage resulting from deviations from the original specifications of the product.

The information available has been composed with the utmost care. However, STANLEY Engineered Fastening will not accept any liability with respect to any faults in the information nor for the consequences thereof. STANLEY Engineered Fastening will not accept any liability for damage resulting from activities carried out by third parties. The working names, trade names, registered trademarks, etc. used by STANLEY Engineered Fastening should not be considered as being free, pursuant to the legislation with respect to the protection of trade marks.

CONTENT

1. SAFETY DEFINITIONS	4
1.1 GENERAL SAFETY RULE	4
1.2 PROJECTILE HAZARDS	4
1.3 OPERATING HAZARDS	5
1.4 REPETITIVE MOTIONS HAZARDS	5
1.5 ACCESSORY HAZARDS	5
1.6 WORKPLACE HAZARDS.....	5
1.7 NOISE HAZARDS.....	6
1.8 VIBRATION HAZARDS.....	6
1.9 ADDITIONAL SAFETY INSTRUCTIONS FOR HYDRAULIC POWER TOOLS	6
2. SPECIFICATIONS	7
2.1 INTENT OF USE	7
2.2 TOOL SPECIFICATION	7
2.3 TOOL DIMENSIONS.....	8
3. PUTTING IN SERVICE	9
3.1 PRINCIPAL OF OPERATION	9
3.2 PREPARATION FOR USE.....	10
4. OPERATING INSTRUCTIONS	11
4.1 TO INSTALL AN AVBOLT® FASTENER	11
4.2 TO INSTALL AN AVDELOK® XT FASTENER.....	11
5. SERVICING THE TOOL	12
5.1 DAILY SERVICING.....	12
5.2 WEEKLY SERVICING.....	12
5.3 ANNUAL SERVICING / EVERY 250K OPERATIONS.....	12
5.4 SERVICE KIT	12
5.5 SERVICING TOOLS	12
5.6 HYDRAULIC OIL	12
5.7 DISMANTLING INSTRUCTIONS.....	13
5.8 PROTECTING THE ENVIRONMENT	15
6. GENERAL ASSEMBLY AND PART LIST	16
6.1 GENERAL ASSEMBLY	16
6.2 PARTS LIST	18
7. SAFETY DATA	19
7.1 ENERPACE® HF HYDRAULIC OIL - SAFETY DATA.....	19
7.2 MOLYLITHIUM GREASE EP 3753 - SAFETY DATA	19
7.3 MOLYKOTE® 111 GREASE - SAFETY DATA	20
8. FAULT DIAGNOSIS	21
9. EC DECLARATION OF CONFORMITY	23
10. UK DECLARATION OF CONFORMITY	24
11. PROTECT YOUR INVESTMENT!	25



This instruction manual must be read by any person installing or operating this tool with particular attention to the following safety warnings and instructions.



Always wear impact-resistant eye protection during operation of the tool. The grade of protection required should be assessed for each use.



Use of the tool can expose the operator's hands to hazards, including crushing, impacts, cuts and abrasions and heat. Wear suitable gloves to protect hands.



Use hearing protection in accordance with employer's instructions and as required by occupational health and safety regulations.

1. SAFETY DEFINITIONS

The definitions below describe the severity for each signal word. Please read the manual and pay attention to these symbols.



DANGER: Indicates an imminently hazardous situation which, if not avoided, will result in death or serious injury.



WARNING: Indicates a potentially hazardous situation which, if not avoided, could result in death or serious injury.



CAUTION: Indicates a potentially hazardous situation which, if not avoided, may result in minor or moderate injury.



CAUTION: Used without safety alert symbol indicates a potentially hazardous situation which, if not avoided, may result in property damage.

Improper operation or maintenance of this product could result in serious injury and property damage. Read and understand all warnings and operating instructions before using this equipment. When using power tools, basic safety precautions must always be followed to reduce the risk of personal injury.

SAVE ALL WARNINGS AND INSTRUCTIONS FOR FUTURE REFERENCE.

1.1 GENERAL SAFETY RULE

- For multiple hazards, read and understand the safety instructions before installing, operating, repairing, maintaining, changing accessories on, or working near the tool. Failure to do so can result in serious bodily injury.
- Only qualified and trained operators must install, adjust or use the tool.
- DO NOT use outside the design intent of placing STANLEY Engineered Fastening Blind Rivets.
- Use only parts, fasteners, and accessories recommended by the manufacturer.
- DO NOT modify the tool. Modifications can reduce the effectiveness of safety measures and increase the risks to the operator. Any modification to the tool undertaken by the customer will be the customer's entire responsibility and void any applicable warranties.
- Do not discard the safety instructions; give them to the operator.
- Do not use the tool if it has been damaged.
- Prior to use, check for misalignment or binding of moving parts, breakage of parts, and any other condition that affects the tool's operation. If damaged, have the tool serviced before using. Remove any adjusting key or wrench before use.
- Tools shall be inspected periodically to verify that the ratings and markings required by this part of ISO 11148 are legibly marked on the tool. The employer/user shall contact the manufacturer to obtain replacement marking labels when necessary.
- The tool must be maintained in a safe working condition at all times and examined at regular intervals for damage and function by trained personnel. Any dismantling procedure will be undertaken only by trained personnel. Do not dismantle this tool without prior reference to the maintenance instructions.

1.2 PROJECTILE HAZARDS

- Disconnect the tool from the hydraulic pump unit before performing any maintenance, attempting to adjust, fit or remove a nose assembly or accessories.
- Be aware that failure of the workpiece or accessories, or even of the inserted tool itself can generate high-velocity projectiles.
- Always wear impact-resistant eye protection during operation of the tool. The grade of protection required should be assessed for each use.

- The risks to others should also be assessed at this time.
- Ensure that the workpiece is securely fixed.
- Check that the means of protection from ejection of fastener and/or mandrel is in place and is operative.
- Warn against the possible forcible ejection of mandrels from the front of the tool.
- DO NOT operate a tool that is directed towards any person(s).

1.3 OPERATING HAZARDS

- Use of the tool can expose the operator's hands to hazards, including crushing, impacts, cuts and abrasions and heat. Wear suitable gloves to protect hands.
- Operators and maintenance personnel shall be physically able to handle the bulk, weight, and power of the tool.
- Hold the tool correctly; be ready to counteract normal or sudden movements and have both hands available.
- Keep tool handles dry, clean, and free from oil and grease.
- Maintain a balanced body position and secure footing when operating the tool.
- Release the start-and-stop device in the case of an interruption of the hydraulic supply.
- Use only lubricants recommended by the manufacturer.
- Contact with hydraulic fluid should be avoided. To minimise the possibility of rashes, care should be taken to wash thoroughly if contact occurs.
- Material Safety Data Sheets for all hydraulic oils and lubricants is available on request from your tool supplier.
- Avoid unsuitable postures as it is likely for these positions not to allow counteracting of normal or unexpected movement of the tool.
- If the tool is fixed to a suspension device, make sure that the fixation is secure.
- Beware of the risk of crushing or pinching if nose equipment is not fitted.
- DO NOT operate tool with the nose casing removed.
- Adequate clearance is required for the tool operator's hands before proceeding.
- When carrying the tool from place to place keep hands away from the trigger to avoid inadvertent activation.
- DO NOT abuse the tool by dropping or using it as a hammer.
- Care should be taken to ensure that spent mandrels do not create a hazard.

1.4 REPETITIVE MOTIONS HAZARDS

- When using the tool, the operator can experience discomfort in the hands, arms, shoulders, neck or other parts of the body.
- While using the tool, the operator should adopt a comfortable posture whilst maintaining a secure footing and avoiding awkward or off-balance postures. The operator should change posture during extended tasks; this can help avoid discomfort and fatigue.
- If the operator experiences symptoms such as persistent or recurring discomfort, pain, throbbing, aching, tingling, numbness, burning sensations or stiffness, these warning signs should not be ignored. The operator should tell the employer and consult a qualified health professional.

1.5 ACCESSORY HAZARDS

- Disconnect the tool from the hydraulic and electrical supply before fitting or removing the nose assembly or accessory.
- Use only sizes and types of accessories and consumables that are recommended by the manufacturer of the tool; do not use other types or sizes of accessories or consumables.

1.6 WORKPLACE HAZARDS

- Slips, trips and falls are major causes of workplace injury. Be aware of slippery surfaces caused by use of the tool and also of trip hazards caused by the air line or hydraulic hose.
- Proceed with care in unfamiliar surroundings. There can be hidden hazards, such as electricity or other utility lines.
- The tool is not intended for use in potentially explosive atmospheres and is not insulated against contact with electric power.
- Ensure that there are no electrical cables, gas pipes, etc., which can cause a hazard if damaged by use of the tool.
- Dress properly. Do not wear loose clothing or jewellery. Keep your hair, clothing and gloves away from moving parts. Loose clothes, jewellery or long hair can be caught in moving parts.
- Care should be taken to ensure that spent mandrels do not create a hazard.

1.7 NOISE HAZARDS

- Exposure to high noise levels can cause permanent, disabling hearing loss and other problems, such as tinnitus (ringing, buzzing, whistling or humming in the ears). Therefore, risk assessment and the implementation of appropriate controls for these hazards are essential.
- Appropriate controls to reduce the risk may include actions such as damping materials to prevent workpieces from “ringing”.
- Use hearing protection in accordance with employer’s instructions and as required by occupational health and safety regulations.
- Operate and maintain the tool as recommended in the instruction manual, to prevent an unnecessary increase in the noise level.

1.8 VIBRATION HAZARDS

- Exposure to vibration can cause disabling damage to the nerves and blood supply of the hands and arms.
- Wear warm clothing when working in cold conditions and keep your hands warm and dry.
- If you experience numbness, tingling, pain or whitening of the skin in your fingers or hands, stop using the tool, tell your employer and consult a physician.
- Where possible Support the weight of the tool in a stand, tensioner or balancer, because a lighter grip can then be used to support the tool.

1.9 ADDITIONAL SAFETY INSTRUCTIONS FOR HYDRAULIC POWER TOOLS

- The operating hydraulic supply must not exceed 550 bar (8000 PSI).
- Oil under pressure can cause severe injury.
- Do not fit flexible hydraulic hoses rated at less than 700 bar (10,000 PSI) working pressure at a flow rate of 2.73 l/min (200 in 3/min).
- Never leave operating tool unattended. Disconnect hydraulic hose and electrical cable from the pump unit when tool is not in use, before changing accessories or when making repairs.
- Whipping hoses can cause severe injury. Always check for damaged or loose hoses and fittings.
- Prior to use, inspect hydraulic hoses for damage, all hydraulic connections must be clean, fully engaged and tight before operation. Do not drop heavy objects on hoses. A sharp impact may cause internal damage and lead to premature hose failure.
- Whenever universal twist couplings (claw couplings) are used, lock pins shall be installed and whipcheck safety cables shall be used to safeguard against possible hose-to-tool or hose-to-hose connection failure.
- DO NOT lift the placing tool by the hose or electrical cable. Always use the placing tool handle.
- DO NOT pull or move the hydraulic pump unit using the hoses. Always use the pump unit handle or roll cage.
- Keep dirt and foreign matter out of the hydraulic system of the tool as this will cause the tool to malfunction.
- Use only clean oil and filling equipment.
- Only recommended hydraulic fluids may be used.
- Power units require a free flow of air for cooling purposes and should therefore be positioned in a well ventilated area free from hazardous fumes.
- Maximum temperature of the hydraulic fluid at the inlet is 110°C (230°F).

STANLEY Engineered Fastening policy is one of continuous product development and improvement and we reserve the right to change the specification of any product without prior notice.

2. SPECIFICATIONS

2.1 INTENT OF USE

The AV™15 Installation Tool is principally a piston and cylinder assembly. When coupled hydraulically and electrically to a compatible hydraulic power source and the relevant nose assembly is attached, it is then used to install 1/2" Avdelok® XT and 1/2" Avbolt® in Industrial Environments.

The placing tool and hydraulic pump unit may only be used in accordance with the operating instructions for placing Stanley Engineered Fastening structural rivets.

Refer to the table below for the list of applicable fasteners and associated nose equipment. Refer to the datasheets listed in the table for the relevant nose assembly instructions.

DO NOT use under wet conditions or in the presence of flammable liquids or gases.

FASTENER		NOSE ASSEMBLY			NOSE ASSEMBLY DATASHEET
TYPE	SIZE	PART NUMBER	DIM. 'A'	DIM. 'B'	PART NUMBER
AVBOLT®	1/2"	73432-03100	108 mm	43 mm	07900-00905
		73433-03100*	108 mm	43 mm	07900-00905
AVDELOK® XT	1/2"	73432-03200	107 mm	43 mm	07900-00919
		73433-03200*	107 mm	43 mm	07900-00919

*Nose assembly with jaw release.

Refer to the illustration on page 8 for the identification of the nose assembly dimensions 'A' and 'B'.

The safety instructions must be followed at all times.

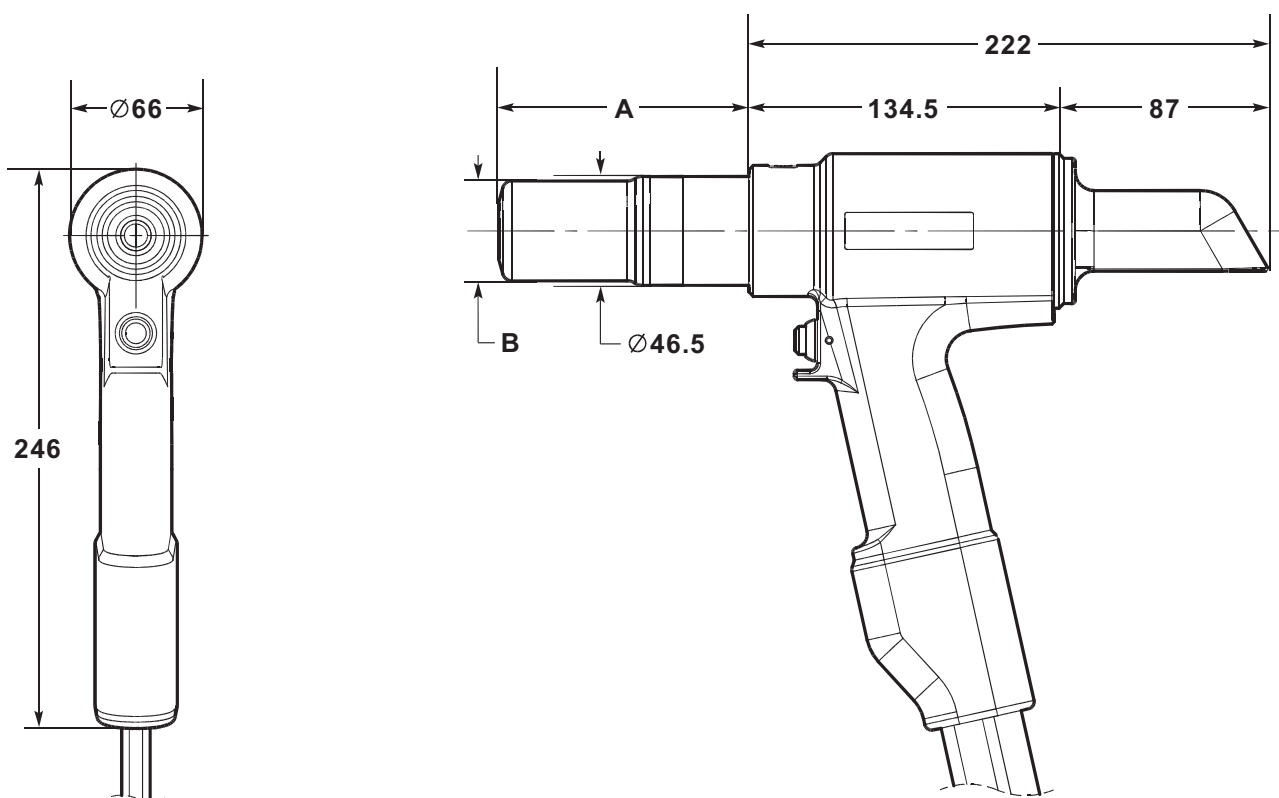
2.2 TOOL SPECIFICATION

	SPECIFICATION	METRIC	IMPERIAL
Force:	Pull at stated pull pressure	80.0 kN	17984.7 lbf
	Push Off at stated return pressure	37.0 kN	8317.9 lbf
Pressure:	Pull	510 bar	7397 PSI
	Return	200 bar	2901 PSI
Stroke:	Piston Stroke	32.0 mm	1.26 in
Weight:	Without nose equipment	4.5 kg	9.9 lb
Hydraulic Oil:	Enerpac® Hydraulic Oil – HF-95X		
Product Range:	Avbolt®	12.7 mm	1/2 in
	Avdelok® XT	12.7 mm	1/2 in
Additional Features:	Stem Ejection – Front or Rear	Rear	
	Seal Arrangement	Twin Lip and Wiper Seals	
	Hydraulic Bearing Rings	Yes – Front and Rear	
	Protective Handle / Hose Gator	Yes	
	Protective Hose Guard	Yes	
	Hose / Cable Retention Clamps	Yes	

Noise values determined according to noise test code ISO 15744 and ISO 3744.		AV15
A-weighted sound power level dB(A), L_{WA}	Uncertainty noise: $k_{WA} = 3.0$ dB(A)	93.6 dB(A)
A-weighted emission sound pressure level at the work station dB(A), L_{pA}	Uncertainty noise: $k_{pA} = 3.0$ dB(A)	82.6 dB(A)
C-weighted peak emission sound pressure level dB(C), L_{pC} , peak	Uncertainty noise: $k_{pC} = 3.0$ dB(C)	126.2 dB(C)

Vibration values determined according to vibration test code ISO 20643 and ISO 5349		AV15
Vibration emission level, a_{hd} :	Uncertainty vibration: $k = 0.44$ m/s ²	0.872 m/s ²
Declared vibration emission values in accordance with EN 12096		

2.3 TOOL DIMENSIONS



All dimensions are shown in millimetres.

Refer to the table on page 7 for the nose assembly dimensions 'A' and 'B'.

The tool is fitted with two Hydraulic Hoses and an electrical Control Cable, 0.6m in length. Additional hydraulic hose and cable extension lengths are available to order separately as required. Refer to the table below for the available hose assembly lengths and associated part numbers.

HYDRAULIC HOSE ASSEMBLY	
PART NUMBER	HOSE LENGTH
07008-00448	5 Metre
07008-00449	10 Metre
07008-00450	15 Metre

3. PUTTING IN SERVICE

3.1 PRINCIPAL OF OPERATION

IMPORTANT - READ THE SAFETY RULES ON PAGES 4 – 6 AND THE PUMP UNIT INSTRUCTION MANUAL CAREFULLY BEFORE PUTTING INTO SERVICE.

When both hoses and control cable are connected to the Avdel® / Enerpac® hydraulic pump unit, the pull and return cycles of the tool are controlled by depressing and releasing the trigger located in the handle.

When the switch is depressed the solenoid valve, located in the hydraulic pump unit, is energised and directs the pressurised oil flow to the pull side of the piston in the placing tool. This also allows the oil in the return side of the placing tool to return to the reservoir.

During the pull cycles the piston/collet assembly moves towards the rear of the tool allowing the O-ring type cushion to push the follower and jaws forward. If a fastener pin has been inserted in the nose assembly, the jaw set will clamp onto the pintail and assembly will commence.

For Avbolt® and Avdelok® XT the cycle of installation will first clamp the joint to be fastened and then as the anvil continues to move forward the collar will be swaged into the locking grooves of the pin. At the end of the swaging cycle the anvil will come up against the joint and as movement continues the pintail will be broken off.

The trigger switch should be released immediately after pin break occurs. Releasing the trigger switch will cause the solenoid to de-energise and reverse the flow of pressurised oil.

If the trigger is not released, the placing tool piston will continue to move towards the rear of the tool until it reaches the end of its stroke. The pressure in the pull side will then increase until a preset 'High Pressure' value is achieved at the pump. At this point the solenoid valve will automatically de-energise and reverse the flow of pressurised oil to the return side of the placing tool.

In either case, pressurised oil will now flow into the return side of the placing tool, with the oil in the pull side returning to the reservoir.

The forward movement of the piston/collet assembly will eject the installed fastener from the anvil.

At the point of releasing the trigger or when the 'High Pressure' value is achieved, the solenoid valve will de-energise and activate a preset 'Return Timer'. This controls the time that the pump motor will continue run before switching to the idle mode. The timer can be manually set between 5 and 20 seconds to ensure that the placing tool piston always fully returns to the forward position (refer to pump manual 07900-01030, pages 10 and 13).

When the piston returns to the fully forward position, the pressure will increase to preset low pressure value - c200bar. The pump motor will continue to run until the Return Timer has expired. After this time period the motor will stop automatically and valve will switch to the idle position. The solenoid valve will then automatically cycle to release pressurised oil to the reservoir from both the pull and return side of the placing tool.

This keeps the installation tool in the forward position. No pressure will be present in the hydraulic system at this point.

The hydraulic pump unit will automatically start up on depression of the tool trigger switch.

3.2 PREPARATION FOR USE

CAUTION - CORRECT PULL AND RETURN PRESSURES ARE IMPORTANT FOR PROPER FUNCTION OF THE INSTALLATION TOOL. PERSONAL INJURY OR DAMAGE TO EQUIPMENT MAY OCCUR WITHOUT CORRECT PRESSURES. THE PULL AND RETURN PRESSURES SUPPLIED BY THE HYDRAULIC PUMP UNIT MUST NOT EXCEED THOSE PRESSURES LISTED IN THE PLACING TOOL SPECIFICATION.

IMPORTANT – BEFORE PUTTING THE PLACING TOOL AND HYDRAULIC HOSE SET INTO SERVICE:

ENSURE THAT THE PUMP PRESSURE RELIEF VALVES HAVE BEEN SET IN ACCORDANCE WITH THE PUMP INSTRUCTIONS AND THE MAXIMUM PRESSURES SPECIFIED FOR THE PLACING TOOL AND HOSES.

ENSURE THAT THE HOSE KIT IS PRIMED WITH HYDRAULIC FLUID IN ACCORDANCE WITH THE PROCEDURE IN THE PUMP INSTRUCTION MANUAL 07900-01030.

- Ensure the mains power supply to the hydraulic pump unit is switched off.
- Connect the placing tool hydraulic hose quick couplers directly to the pump unit before connecting the electrical control cable. Hoses and control cable must be connected in this order and disconnected in reverse order.
- Switch on the mains supply to the hydraulic pump unit. Wait 5 seconds for the pump unit to complete the boot sequence, before pressing the trigger switch. When all set the LCD screen on the pump unit will display 'AVDEL'.
- During the boot sequence the pump control system identifies any trigger operation as a potential malfunction and prevents the motor from starting. The LCD screen will display 'BUTTON FAULT' in this instance. Reset by switching off the power supply for 10 seconds.
- Ensure that the placing tool is positioned below the pump reservoir tanks. Depress and release the placing tool trigger switch a few times to almost the full stroke of the tool to circulate hydraulic fluid and expel any air from the tool.
- Observe action of tool. Check for fluid leaks and ensure that in the idler mode the piston is in the fully forward position. The placing tool will now be primed.
- Switch off the mains power supply to the hydraulic pump unit and then disconnect the placing tool from the pump unit in reverse order to that described above.
- Now connect the placing tool to the primed hydraulic hose kit and electrical control cable. Then connect hydraulic hose kit quick couplers and the electrical control cable to the pump unit.
- Attach the nose assembly to the tool as per the instructions in the relevant nose assembly datasheet.
- Switch on the mains supply to the hydraulic pump unit as described above.
- Depress and release the placing tool trigger switch a few times to almost the full stroke of the tool to circulate hydraulic fluid.
- The placing tool is now ready for use.

4. OPERATING INSTRUCTIONS

4.1 TO INSTALL AN AVBOLT® FASTENER

- Check work and remove excessive gap. (Gap is the space between components of the Joint. Gap is excessive if not enough pintail sticks through the collar for the nose assembly jaws to grab onto).
- Put Avbolt® fastener into hole.
- Push nose assembly onto the pin until the nose assembly anvil stops against the collar. Tool and nose assembly must be held at right angles (90°) to the work.
- Depress tool trigger switch to start installation cycle.
- When the forward motion of the nose assembly anvil stops and the pintail breaks off, release the trigger. The tool will go into its return stroke and push off the installed fastener. At the end of the return stroke the jaws will partially release the expended pintail which can then be pushed through the jaws with the next installation and then ejected through the rear of the tool.
- Once the installed fastener has been ejected, the tool and nose assembly is ready for the next installation.

4.2 TO INSTALL AN AVDELOK® XT FASTENER

- Check work and remove excessive gap. (Gap is the space between components of the Joint. Gap is excessive if not enough pintail sticks through the collar for the nose assembly jaws to grab onto).
- Put Avdelok® XT fastener into hole.
- Slide Avdelok® XT collar over the pin. (The beveled end of the collar must be towards the nose assembly and tool.)
- Push nose assembly onto the pin until the nose assembly anvil stops against the collar. Tool and nose assembly must be held at right angles (90°) to the work.
- Depress tool trigger switch to start installation cycle.
- When the forward motion of the nose assembly anvil stops and the pintail breaks off, release the trigger. The tool will go into its return stroke and push off the installed fastener. At the end of the return stroke the jaws will partially release the expended pintail which can then be pushed through the jaws with the next installation and then ejected through the rear of the tool.
- Once the installed fastener been ejected, the tool and nose assembly is ready for the next installation.

CAUTION - DO NOT ATTEMPT TO BREAK OFF A PINTAIL WITHOUT THE INSTALLATION OF A COLLAR AS THIS WILL CAUSE THE UNSECURED PORTION OF THE AVDELOK® OR AVBOLT® PINTAIL TO EJECT FROM THE NOSE AT A HIGH SPEED AND FORCE.

5. SERVICING THE TOOL

IMPORTANT - READ SAFETY INSTRUCTIONS ON PAGES 4 - 6. THE EMPLOYER IS RESPONSIBLE FOR ENSURING THAT TOOL MAINTENANCE INSTRUCTIONS ARE GIVEN TO THE APPROPRIATE PERSONNEL. THE OPERATOR SHOULD NOT BE INVOLVED IN MAINTENANCE OR REPAIR OF THE TOOL UNLESS PROPERLY TRAINED. THE TOOL SHALL BE EXAMINED REGULARLY FOR DAMAGE AND MALFUNCTION.

5.1 DAILY SERVICING

- Check placing tool, hoses and quick couplers for oil leaks.
- Worn or damaged hoses and couplings should be replaced.
- Check that the stroke of tool meets the specification.
- Check that the stem deflector is fitted.
- Check that the pump pull / advance pressure relief valve is functioning correctly.
- Check for worn anvil indicated by score marks on the installed collar. This can also be confirmed by referring to the installed data in the fastener catalogue. Excessive wear can cause the anvil to rupture.

5.2 WEEKLY SERVICING

- Dismantle and clean the nose assembly especially the jaws as described in the relevant nose assembly datasheet.
- Check for oil leaks in placing tool, hoses and quick couplers

CAUTION – Never use solvents or other harsh chemicals for cleaning the non-metallic parts of the tool. These chemicals may weaken the materials used in these parts.

5.3 ANNUAL SERVICING / EVERY 250K OPERATIONS

- Every 250,000 cycles the tool should be completely dismantled and new components should be used where worn, damaged or as recommended. All O-rings, back-up rings and seals should be renewed and lubricated with MolyKote® 111 grease before assembling.

5.4 SERVICE KIT

For a complete service the following Service Kit is available:

SERVICE KIT: 73432-99990			
PART NUMBER	DESCRIPTION	PART NUMBER	DESCRIPTION
07005-10118	Quick Coupler - Male	07900-00966	AV15 Piston Guide Sleeve
07005-10120	Quick Coupler - Female	07900-00967	AV15 End Cap Assembly Tool
07900-00961	AV15 Piston Bullet - Front	07992-00020	Grease – MolyLithium EP3753
07900-00962	AV15 Piston Bullet - Rear	07900-00755	Grease – Molykote® 111
07900-00965	AV15 Front Gland Guide Rod	07900-00756	Loctite® 243 Threadlocker

5.5 SERVICING TOOLS

The following standard tools are also required:

- Allen Key: 2.0 / 3.0 mm
- Open End Flat Spanner: 12 / 14 / 18 / 24 / 45 mm A/F
- PTFE Tape: 10 mm
- Engineers Vice with Jaw Guards – 150 mm

5.6 HYDRAULIC OIL

CAUTION – Use only Enerpac® HF hydraulic oil – the use of any other oil may cause the placing tool and pump to malfunction and will render the placing tool warranty null and void.

Hydraulic oil is available to order under the following part numbers.

HYDRAULIC OIL			
PART NUMBER	07992-00081	07992-00082	07992-00083
Enerpac® Part Number	HF-95X	HF-95Y	HF-95T
Volume	1 Litre	5 Litres	20 Litres
Viscosity	32 mm ² /s	32 mm ² /s	32 mm ² /s

5.7 DISMANTLING INSTRUCTIONS

IMPORTANT – ENSURE THE MAINS POWER SUPPLY TO THE HYDRAULIC PUMP UNIT IS SWITCHED OFF BEFORE REMOVING THE NOSE ASSEMBLY OR DISMANTLING THE PLACING TOOL.

Before Dismantling:

- Uncouple the Quick Couplers **10** and **11** and the electrical Control Cable **14** between the placing tool and the Hydraulic Hose Assembly.
- Remove the nose assembly from the placing tool as per the instructions in the relevant nose assembly datasheet.
- The potentially dangerous substances that could have deposited on the machine as a result of work processes must be removed before maintenance.

For a complete service of the tool, we advise that you proceed with dismantling the tool in the order shown on pages 13 to 15. After dismantling the tool we recommend that you replace all seals.

Head Piston Assembly:

- Using a small flat screwdriver, remove the Pin **41** from the Collet Adapter **40**.
- Unscrew and remove the Collet Adapter **40** from the Piston **1**.
- Remove the Deflector **3**, from the End Cap **17**.
- Clamp the tool handle in a vice with soft jaws so that the tool is pointing nose down. Insert the dowel pins on the *End Cap Assembly Tool into the three holes in the End Cap **17**.
- Using a 24 mm A/F spanner, unscrew and remove the End Cap **17**, from the Body **2**.
- Using a small flat screwdriver, remove O-Ring **21** from the End Cap **17** and discard.
- Connect the spare *Quick Coupler – Male to the Quick Coupler – Female **11** on the Hydraulic Hose - Return **18**. This will release any pressure from the return side of the Piston **1** and ease the removal of the Rear Seal Gland **16**.
- Insert three M4 screws into the Rear Seal Gland **16** and use them to pull the part off the rear shaft of the Piston **1** and out of the Body **2**.
- Using a small flat screwdriver or similar tool, remove O-Ring **30** and Spiral Back-up Ring **36**, from the external groove on the Rear Seal Gland **16**, and discard. When removing the seals, take care not to damage the surface of the Rear Seal Gland with the screwdriver.
- Remove Rod Seal **28** and Wiper Seal **31**, from the internal grooves on the Rear Seal Gland **16**, and discard. When removing the seals, take care not to damage the surface of the Rear Seal Gland with the screwdriver.
- Remove Rear Bearing Ring **29** and check the part for wear or damage. Discard if necessary.
- Remove the placing tool from the vice and empty the hydraulic oil from the rear of the tool. Remove the spare *Quick Coupler – Male from the Quick Coupler – Female **11**.
- Connect the spare *Quick Coupler - Female to the Quick Coupler – Male **10** on the Hydraulic Hose - Pull **19**. This will release any pressure from the pull side of the Piston **1** and ease the removal of the Piston.
- Screw the *Piston Bullet - Front on to the front of the Piston **1**.
- Place the Body **2** nose up on a bench. Then using a soft mallet, tap the Piston **1** towards the rear of the Body and out the back end, taking care not to damage the bore within the Body.
- Note that when removing the Piston **1**, oil on the pull side of the Piston will leak from the front and rear of the Body **2**.
- When removing the Piston **1**, the Front Seal Gland **15** may be retained on the Piston shaft. If this is the case, unscrew the *Piston Bullet - Front and pull the Front Seal Gland off of the Piston.

All numbers in **bold** refer to the General Assembly and Parts List on pages 16, 17 and 18.

* Service Kit on page 12.

- Using a small flat screwdriver remove Piston Seal **26** and the two Anti-Extrusion Rings **27**, from the external groove on the Piston **1**, and discard. When removing the seals, take care not to damage the surface of the Piston **1** with the screwdriver.
- If the Front Seal Gland **15** is still retained in the Body **2**. Place the Body nose up on a bench and then push the Front Seal Gland from the front until it is free from the recess within Body. The Front Seal Gland can then be removed from the back end of the Body. Take care not to damage the bore within the Body when doing so.
- Using a small flat screwdriver remove O-Ring **23** and Spiral Back-up Ring **34**, from the external groove on the Front Seal Gland **15**, and discard. When removing the seals, take care not to damage the surface of the Front Seal Gland with the screwdriver.
- Remove Rod Seal **25** and Wiper Seal **22**, from the internal grooves on the Front Seal Gland **15**, and discard. When removing the seals, take care not to damage the surface of the Front Seal Gland with the screwdriver.
- Remove the Front Bearing Ring **24** and check the part for wear or damage. Discard if necessary.
- Using a small flat screwdriver, remove O-Ring **21** from the Body **2** and discard.
- Remove the spare *Quick Coupler - Female from the Quick Coupler - Male **10** on the Hydraulic Hose - Pull **19**.
- Do not remove Set Screw **42** from the Body **2**.

Assemble in reverse order to dismantling noting the following points:

- Clean all components before assembling.
- To aid assembly of seals apply a light coating of Molykote® 111 grease to all seals, seal grooves, back-up rings and the assembly tools.
- Slide O-Ring **23** over the Front Seal Gland **15** and into the external groove. Insert the Spiral Back-up Ring **34** in the same groove, in front of the installed O-Ring. Refer to the General Assembly and Parts List for the correct orientation of the O-Ring and Spiral Back-up Ring.
- Press the Front Bearing Ring **24** into the internal recess within the Front Seal Gland **15** and then install Rod Seal **25** behind the Front Bearing Ring. Install the Wiper Seal **22** in the front recess of the Front Seal Gland. Refer to the General Assembly to ensure the correct orientation of the Rod Seal and Wiper Seal.
- Lubricate the surface and leading edge of the Body **2** bore into which the Front Seal Gland **15** is to be installed with Molykote® 111 grease.
- Lubricate the spigot on the *Front Gland Guide Rod tool and then place the Front Seal Gland **15**, Rod Seal **25** end first, fully over spigot. Insert *Front Gland Guide Rod into the rear of the Body **2** and then push the Front Seal Gland fully into the bore within the Body. Reasonable force is required to insert Front Seal Gland into the Body, so the use of a press or vice may be necessary. Remove the *Front Gland Guide Rod while ensuring that the Front Seal Gland stays in place.
- Lubricate the seal groove and major external diameter of the Piston **1** with Molykote® 111 grease. Slide the Piston Seal **26** over the front of the major Piston diameter and into the seal groove. Install two Anti-Extrusion Rings **27** into the Piston seal groove, one either side of the Piston Seal.
- Screw the *Piston Bullet - Front onto the front of the Piston **1**. Lubricate the *Piston Bullet - Front, Piston shaft and Piston Seal **26** with Molykote® 111 grease.
- Screw the *Piston Guide Sleeve fully into the rear of the Body **2**. Lubricate the bores in both the Body and the *Piston Guide Sleeve with Molykote® 111 grease.
- Connect the spare *Quick Coupler - Female to the Quick Coupler - Male **10** on the Hydraulic Hose - Pull **19**. This will allow air to be released from the pull side of the Piston **1** when inserting the Piston.
- Insert the assembled Piston **1** into the rear of the Body **2** and through the assembled Front Seal Gland **15**. Push the Piston into the fully forward position until it stops against the Front Seal Gland. Hydraulic oil will be expelled from the Hydraulic Hose - Pull **19**.
- Remove the spare *Quick Coupler - Female from the Quick Coupler - Male **10** on the Hydraulic Hose - Pull **19**. Remove the *Piston Guide Sleeve from the rear of the Body **2**.
- Slide O-Ring **30** over the Rear Seal Gland **16** and into the external groove. Insert the Spiral Back-up Ring **36** in the same groove, behind the installed O-Ring. Refer to the General Assembly and Parts List for the correct orientation of the O-Ring and Spiral Back-up Ring.
- Press the Rear Bearing Ring **29** into the internal recess within the Rear Seal Gland **16** and then install Rod Seal **28** behind the Rear Bearing Ring. Install the Wiper Seal **31** in the rear recess of the Rear Seal Gland. Refer to the General Assembly to ensure the correct orientation of the Rod Seal and Wiper Seal.
- Clamp the tool handle in a vice with soft jaws so that the tool is pointing nose down.

All numbers in **bold** refer to the General Assembly and Parts List on pages 16, 17 and 18.

* Service Kit on page 12.

- Lubricate the surface and leading edge of the Body **2** bore into which the Rear Seal Gland **16** is to be installed with Molykote® 111 grease. Lubricate the rear Piston **1** shaft with Molykote® 111 grease.
- Insert the *Piston Bullet - Rear into the rear Piston **1** shaft and Lubricate with Molykote® 111 grease.
- Fill the rear of the Body **2** with Enerpac® HF hydraulic oil. Oil level should be just above the rear inlet bore into the Body.
- Connect the spare *Quick Coupler - Male to the Quick Coupler - Female **11** on the Hydraulic Hose – Return **18**. This will allow air to be released from the return side of the Piston **1** when inserting the Rear Seal Gland **16**.
- Place the Rear Seal Gland **16** over the *Piston Bullet - Rear. Then push the Rear Seal Gland over the Piston **1** shaft and into the rear of the Body **2**. Push the Rear Seal Gland into the Body until a few internal threads are exposed at the rear of the Body. Take care not to damage the O-Ring **30** and Spiral Back-up Ring **36** on the threads when inserting the Rear Seal Gland.
- Lubricate both the internal thread in the Body **2** and the external thread on End Cap **17** with MolyLithium Grease.
- Screw the End Cap **17** fully into the rear of the Body **2** using the *End Cap Assembly Tool. In doing so, the Rear Seal Gland **16** will be pressed into position within the Body and a small amount of oil will be expelled from the Hydraulic Hose - Return **18**.
- Remove the spare *Quick Coupler - Male from the Quick Coupler - Female **11** on the Hydraulic Hose - Return **18**.
- Push the Deflector **3**, onto the End Cap **17**.
- Screw the Collet Adapter **40** on to the Piston **1** until the front face is flush with the end of the Piston. Align the hole in the Collet Adapter with the slot in the end of the Piston and then insert Locking Pin **41**.
- Prime the placing tool as described in Preparation for Use on page 10.

Hose Assembly:

- Remove the two Screws **9** from the Hose Clamp **13** using a 3.0mm Allen Key. Remove the Hose Clamp and Clamp Insert **20** from the Protective Sleeve **37** and Hydraulic Hoses - Return **18** and Pull **19**.
- Using the small flat screwdriver prize the Handle Gator **8** from the handle of Body **2**. Pull the Handle Gator over the Protective Sleeve **37**, Hydraulic Hoses-Return **18** and Pull **19** and remove.
- Cut the Cable Tie **35** and slide back the Protective Sleeve **37** to expose the fittings on the Hydraulic Hoses **18** and **19**. The Hydraulic Hoses can be removed from the Body **2** using 12mm and 14mm spanners.
- The Quick Couplers - Male **10** and Female **11** can be removed from the Hydraulic Hoses **18** and **19** using 18mm and 24mm spanners.
- To remove Trigger Switch **7**, first loosen Cable Gland **38**, so that the Control Cable **14** is free to move within the Body **2**. Then undo M4 Set Screw **12** using a 2.0mm Allen Key.
- Push the Control Cable **14** into the Body **2** and simultaneously pull the Trigger Switch **7** out of the Body to expose the solder joints on the Trigger Switch terminals. Unsolder the terminals to remove the Trigger Switch and Trigger Insert **39**. The Trigger Insert is bonded to the Trigger Switch and cannot be removed.
- The Control Cable **14** can now be pulled from the Body **2** and removed from the Protective Sleeve **37**.

Assemble in reverse order to dismantling noting the following points:

- Prior to assembly clean all threads on the Quick Couplers - Male **10** and Female **11** and the Hydraulic Hoses - Return **18** and Pull **19**. Then apply two to three layers of 10mm PTFE tape to the male threads on both of the Hydraulic Hoses.
- When replacing the Trigger Switch **7** apply *Loctite® 243 to the male thread on the Trigger Switch before assembling the Trigger Insert **39**.
- Apply *Loctite® 243 to M4 Set Screw **12** prior to assembly.
- Once assembled, prime the tool as per the instructions on page 10.

5.8 PROTECTING THE ENVIRONMENT

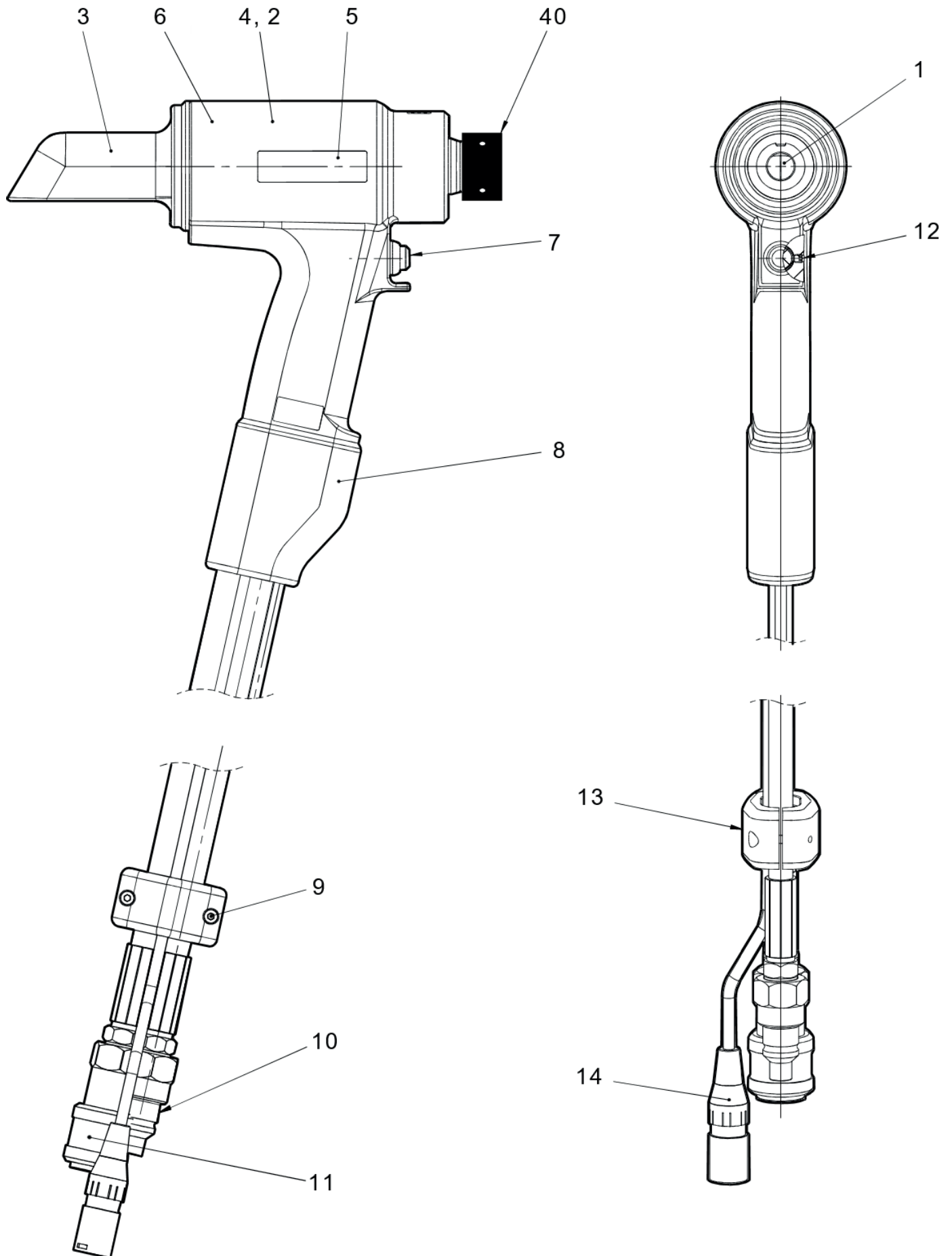
- Assure conformity with applicable disposal regulations. Dispose all waste products at an approved waste facility or site so as not to expose personnel and the environment to hazards.

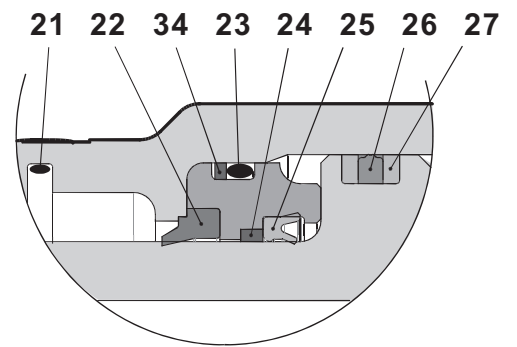
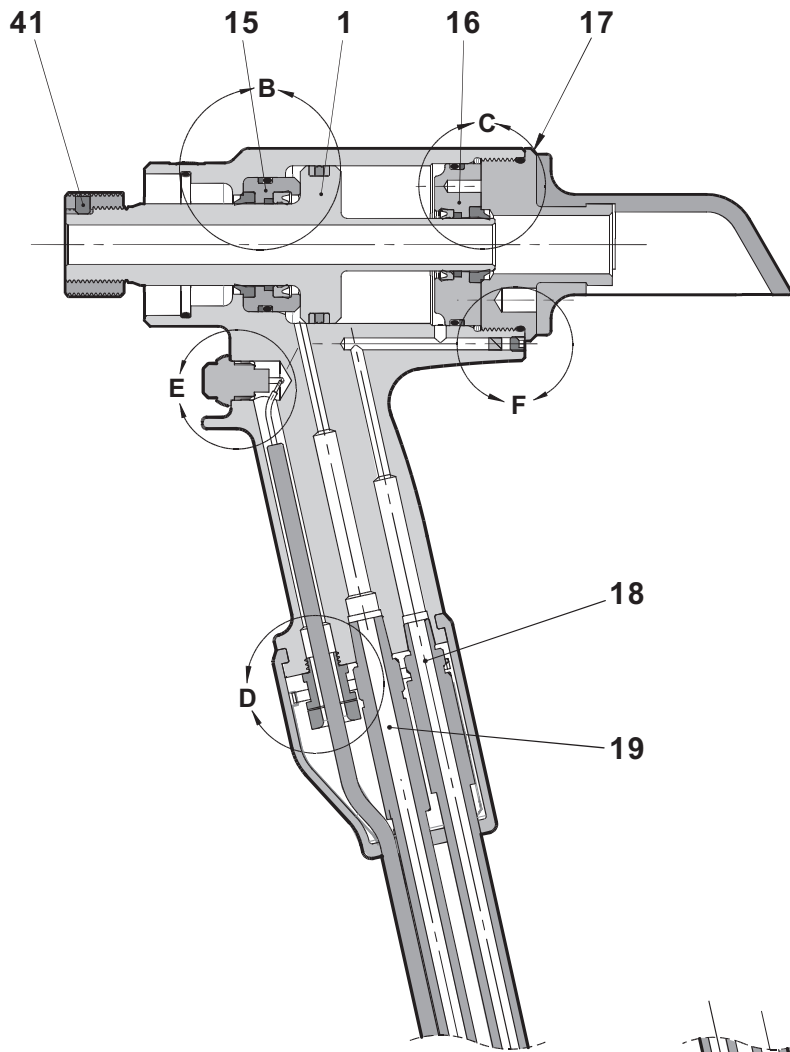
All numbers in **bold** refer to the General Assembly and Parts List on pages 16, 17 and 18.

* Service Kit on page 12.

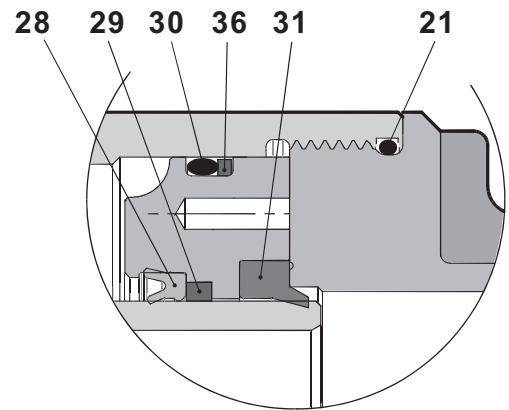
6. GENERAL ASSEMBLY AND PART LIST

6.1 GENERAL ASSEMBLY

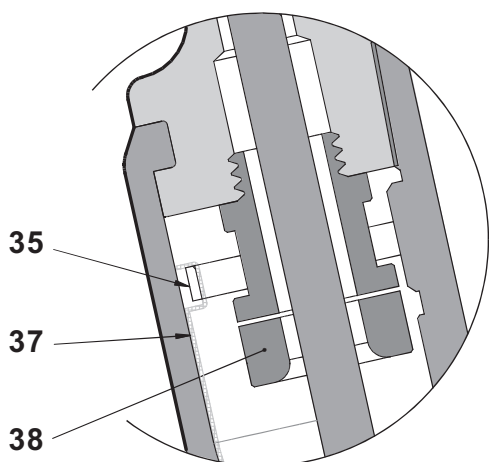




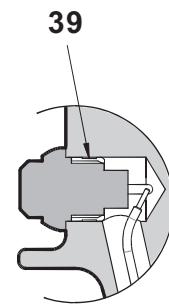
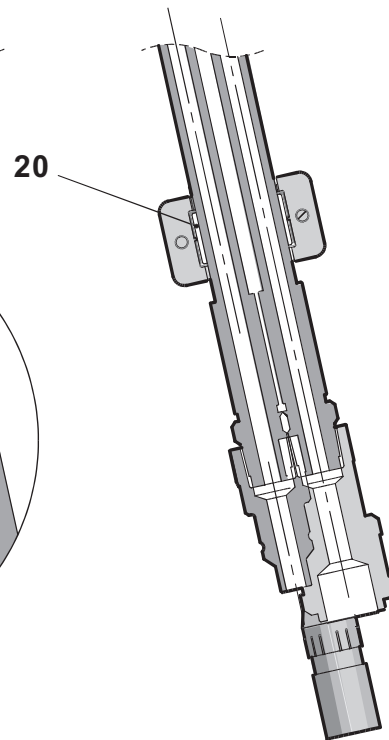
DETAIL B



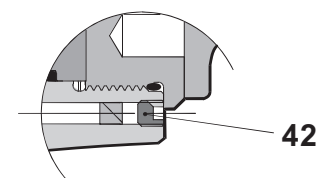
DETAIL C



DETAIL D



DETAIL E



DETAIL F

6.2 PARTS LIST

73432-02000 Parts List			
ITEM	PART NUMBER	DESCRIPTION	QTY.
1	73432-02003	PISTON	1
2	73432-02001	BODY	1
3	73432-02011	DEFLECTOR	1
4	73425-02016	SAFETY LABEL	1
5	73432-02026	AV15 LABEL	2
6	07007-01504	CE & UKCA LABEL	1
7	07007-02103	TRIGGER SWITCH	1
8	73430-02020	HANDLE GATOR	1
9	07001-00686	M4 X 16 SKT CAP HD SCREW	2
10	07005-10118	QUICK COUPLER - MALE	1
11	07005-10120	QUICK COUPLER - FEMALE	1
12	07001-00479	M4 X 4 SKT SET SCREW	1
13	73430-02023	HOSE CLAMP	1
14	07007-02105	CONTROL CABLE	1
15	73432-02004	FRONT SEAL GLAND	1
16	73432-02006	REAR SEAL GLAND	1
17	73432-02005	END CAP	1
18	07005-10119	HYDRAULIC HOSE - RETURN	1
19	07005-10117	HYDRAULIC HOSE - PULL	1
20	73430-02024	CLAMP INSERT	1
21	07003-00460	O-RING	2
22	07003-00446	WIPER SEAL	1
23	07003-00459	O-RING	1
24	73432-02009	FRONT BEARING RING	1
25	07003-00445	ROD SEAL	1
26	07003-00449	PISTON SEAL	1
27	07003-00450	ANTI-EXTRUSION RING	2
28	07003-00447	ROD SEAL	1
29	73432-02010	REAR BEARING RING	1
30	07003-00462	O-RING	1
31	07003-00448	WIPER SEAL	1
32			
33			
34	07003-00493	SPIRAL BACK-UP RING	1
35	07007-02032	CABLE TIE	1
36	07003-00495	SPIRAL BACK-UP RING	1
37	07005-10121	PROTECTIVE SLEEVE	0.6m
38	07007-02104	CABLE GLAND	1
39	73430-02008	TRIGGER INSERT	1
40	73432-02012	COLLET ADAPTER - AV15	1
41	73432-02013	LOCKING PIN - AV15	1
42	07001-00481	M5 X 5 SKT SET SCREW	1
-	07900-01021	AV15 TOOL INSTRUCTION MANUAL	1

7. SAFETY DATA

7.1 ENERPACE® HF HYDRAULIC OIL - SAFETY DATA

FIRST AID

SKIN:

Unlikely to cause harm to the skin on brief or occasional contact but prolonged or exposure may lead to dermatitis. Wash skin thoroughly with soap and water as soon as reasonably practicable. Remove heavily contaminated clothing and wash underlying skin.

ORAL:

Unlikely to cause harm if accidentally swallowed in small doses, though larger quantities may cause nausea and diarrhea. If contamination of the mouth occurs, wash out thoroughly with water. Except as a deliberate act, the ingestion of large amounts of product is unlikely. If it should occur, do not induce vomiting; obtain medical advice. Take person to nearest medical centre.

EYES:

Unlikely to cause more than transient stinging or redness if accidental eye contact occurs. Wash eyes thoroughly with copious quantities of water, ensuring eyelids are held open. Obtain medical advice if any pain or redness develops or persists.

MEDICAL ADVICE:

Treatment should in general be symptomatic and directed to relieving any effects.

Note: High Pressure Applications:

Injections through the skin, resulting from contact with the product at high pressure, constitute a major medical emergency. Injuries may not appear serious at first but within a few hours tissue becomes swollen, discolored and extremely painful with extensive subcutaneous necrosis.

Surgical exploration should be undertaken without delay. Thorough and extensive debridement of the wound and underlying tissue is necessary to minimize tissue loss and prevent or limit permanent damage. Note that high pressure may force the product considerable distances along tissue planes.

DISPOSAL

Remove all spills with inert absorbent material. Ventilate spill area. Place contaminated materials in a disposable container and dispose in a manner consistent with local regulations.

FIRE

FLASH POINT: 200°C.

Extinguish with either dry chemical, foam or carbon dioxide. Do not enter confined space without self contained breathing apparatus.

HANDLING

Use barrier cream or oil resistant gloves.

STORAGE

Undercover and consistent with local regulations for inflammable material.

7.2 MOLYLITHIUM GREASE EP 3753 - SAFETY DATA

Grease can be ordered as a single item, the part number is shown in the Service Kit page 12.

FIRST AID

SKIN:

As the grease is completely water resistant it is best removed with an approved emulsifying skin cleaner.

INGESTION:

Ensure the individual drinks 30ml Milk of Magnesia, preferably in a cup of milk.

EYES:

Irritant but not harmful. Irrigate with water and seek medical attention.

FIRE

FLASH POINT: Above 220°C.

Not classified as flammable.

Suitable extinguishing media: CO₂, Halon or water spray if applied by an experienced operator.

ENVIRONMENT

Scrape up for incineration or disposal on approved site.

HANDLING

Use barrier cream or oil resistant gloves

STORAGE

Away from heat and oxidising agent.

7.3 MOLYKOTE® 111 GREASE - SAFETY DATA

Grease can be ordered as a single item, the part number is shown in the Service Kit page 12.

FIRST AID

SKIN:

No first aid should be needed.

INGESTION:

No first aid should be needed.

EYES:

No first aid should be needed.

INHALATION:

No first aid should be needed.

FIRE

FLASH POINT: Above 101.1°C. (closed cup)

Explosive Properties: No

Suitable Extinguishing Media: Carbon Dioxide Foam, Dry Powder or fine water spray. Water can be used to cool fire exposed containers.

ENVIRONMENT

No adverse effects are predicted.

HANDLING

General ventilation is recommended. Avoid eye contact.

STORAGE

Do not store with oxidizing agents. Keep container closed and store away from water or moisture.

8. FAULT DIAGNOSIS

SYMPTOM	POSSIBLE CAUSE	REMEDY	PAGE REF.
Placing Tool will not operate	Inoperative pump unit	Check pump power supply and refer to pump unit instruction manual	
	Faulty Quick Couplers 10 and 11	Replace Quick Couplers	15
	Trigger Control Cable 14 not connected correctly	Check Control Cable is correctly connected at pump and placing tool	10
Trigger Switch 7 does not function	Damaged Trigger Switch 7 or Control Cable 14	Replace Trigger Switch and/or Control Cable	15
	Pump in local mode	Refer to pump instruction manual	
	Trigger Switch 7 , Control Cable 14 or connector damaged	Replace Trigger Switch and/or Control Cable	15
Pump running but placing tools does not function	Hydraulic Hoses not connected	Check for correct connections at pump and placing tool	10
	Low oil level	Ensure placing tool is filled with oil and correctly primed Refer to pump instruction manual	10
	Placing tool external oil leak	Inspect placing tool – replace worn or damaged components	13 - 15
	Hose Assembly external oil leak	Inspect Hose Assembly – ensure hose connections are tight and/or replace damaged hose connectors	15
	Pump internal/external oil leak	Refer to pump instruction manual	
	Low or erratic hydraulic pressure supply	Refer to pump instruction manual	
Placing tool operates erratically	Worn or damaged hydraulic seals in placing tool	Inspect placing tool – replace worn or damaged seals	13 - 15
	Worn or damaged hydraulic sealing surfaces in placing tool	Inspect placing tool – replace worn or damaged components	13 - 15
	Pump internal/external oil leak	Refer to pump instruction manual	
Pump builds full pressure, but pintail does not break	Breakload greater than placing tool capacity at full pressure	Refer to placing tool specification	7
	Flow to placing tool blocked	Check Quick Couplers 10 and 11 for full engagement	10
	Pump pressure relief value set too low	Adjust pressure relief valve settings – refer to pump instruction manual	
	Pull grooves on fastener pintail stripped	See symptom on page 12	11
	Improper tool operation		11

SYMPTOM	POSSIBLE CAUSE	REMEDY	PAGE REF.
Placing tool Piston 1 will not return	Return flow restricted or blocked	Check Quick Couplers 10 and 11 for full engagement and/or fault	10
	Hydraulic Hoses not connected	Check for correct connections at pump and placing tool	10
	Pump valve malfunction	Refer to pump instruction manual	
	Pump Return Timer setting incorrect – set too low	Adjust Return Timer to recommended setting – refer to pump instruction manual	
Placing tool does not eject the collar from the anvil	Pump return pressure relief valve set too low	Adjust return pressure relief valve to correct setting – refer to pump instruction manual	
	Low or erratic hydraulic pressure supply	Refer to pump instruction manual	
	Worn or damaged hydraulic seals in placing tool	Inspect placing tool – replace worn or damaged seals	13 - 15
	Worn or damaged hydraulic sealing surfaces in placing tool	Inspect placing tool – replace worn or damaged components	13 - 15
	Pump internal/external oil leak	Refer to pump instruction manual	
Pull grooves on fastener pintail stripped during installation	Operator not pushing nose completely onto fastener pintail before operating tool	Instruct operator in correct installation method	11
	Incorrect fastener length / grip length	Use correct fastener	
	Worn or damaged jaw segments	Check and replace jaw set – refer to nose equipment datasheet	11
	Debris in jaw segments and/or pintail grooves	Clean jaw segments – refer to nose equipment datasheet	
	Excessive sheet gap	Close gap between sheets	11
Avdelok® or Avbolt® collar not fully swaged Pintail fails to release from nose equipment	Improper tool operation		11
	Worn Anvil bore	Check and replace Anvil – refer to nose equipment datasheet	
	Incorrect assembly of nose equipment	Refer to nose equipment datasheet	
Placing tool and Hydraulic oil runs hot	Restriction in hydraulic line	Check hydraulic Quick Couplers 10 and 11 and replace if necessary	15
	High ambient temperature		
Hydraulic Quick Couplers 10 and 11 leak oil	Worn O-Ring in body of Quick Coupler Male 10	Replace O-Ring and Back-up Ring in Quick Coupler 10	15

All numbers in **bold** refer to the General Assembly and Parts List on pages 16, 17 and 18.

* Service Kit on page 12.

9. EC DECLARATION OF CONFORMITY

We, **Stanley Engineered Fastening, Stanley House, Works Road, Letchworth Garden City, Hertfordshire, SG6 1JY UNITED KINGDOM**, declare under our sole responsibility that the product:

Description: AV15 HYDRO-ELECTRIC POWER TOOL

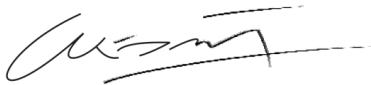
Model: AV15 STRUCTURAL TOOL – 73432-02000

to which this declaration relates is in conformity with the following harmonized standards:

ISO 12100:2010	EN ISO 3744:2010
EN ISO 11202:2010	EN ISO 11148-1:2011
EN ISO 4413:2010	EN ISO 20643:2008+A1:2012
EN ISO 4414:2010	ES100118-rev 17:2017
EN ISO 28927-5:2009+A1:2015	

Technical documentation is compiled in accordance with Annex 1, section 1.7.4.1, in accordance with the following Directive: **2006/42/EC The Machinery Directive** (Statutory Instruments 2008 No 1597 - The Supply of Machinery (Safety) Regulations refers).

The undersigned makes this declaration on behalf of STANLEY Engineered Fastening



A. K. Seewraj

Director of Engineering, UK

Avdel UK Limited, Stanley House, Works Road, Letchworth Garden City, Hertfordshire, SG6 1JY UNITED KINGDOM

Place of issue: Letchworth Garden City, UK

Date of issue: 12-12-2011

The undersigned is responsible for compilation of the technical file for products sold in the European Union and makes this declaration on behalf of Stanley Engineered Fastening.

Matthias Appel

Team Leader Technical Documentation

Stanley Engineered Fastening, Tucker GmbH, Max-Eyth-Str.1, 35394 Gießen, Germany



**This machinery is in conformity with
Machinery Directive 2006/42/EC**

10. UK DECLARATION OF CONFORMITY

We, **Stanley Engineered Fastening, Stanley House, Works Road, Letchworth Garden City, Hertfordshire, SG6 1JY UNITED KINGDOM**, declare under our sole responsibility that the product:

Description: AV15 HYDRO-ELECTRIC POWER TOOL

Model: AV15 STRUCTURAL TOOL – 73432-02000

to which this declaration relates is in conformity with the following harmonized standards:

ISO 12100:2010	EN ISO 3744:2010
EN ISO 11202:2010	EN ISO 11148-1:2011
EN ISO 4413:2010	EN ISO 20643:2008+A1:2012
EN ISO 4414:2010	ES100118-rev 17:2017
EN ISO 28927-5:2009+A1:2015	

Technical documentation is compiled in accordance with the Supply of Machinery (Safety) Regulations 2008, S.I. 2008/1597 (as amended).

The undersigned makes this declaration on behalf of STANLEY Engineered Fastening



A. K. Seewraj

Director of Engineering, UK

Avdel UK Limited, Stanley House, Works Road, Letchworth Garden City, Hertfordshire,
SG6 1JY UNITED KINGDOM

Place of issue: Letchworth Garden City, UK

Date of issue: 12-12-2011



This machinery is in conformity with
Supply of Machinery (Safety) Regulations 2008,
S.I. 2008/1597 (as amended)

11. PROTECT YOUR INVESTMENT!

Stanley® Engineered Fastening BLIND RIVET TOOL WARRANTY

STANLEY® Engineered Fastening warrants that all power tools have been carefully manufactured and that they will be free from defect in material and workmanship under normal use and service for a period of one (1) year.

This warranty applies to the first time purchaser of the tool for original use only.

Exclusions:

Normal wear and tear.

Periodic maintenance, repair and replacement parts due to normal wear and tear are excluded from coverage.

Abuse & Misuse.

Defect or damage that results from improper operation, storage, misuse or abuse, accident or neglect, such as physical damage are excluded from coverage.

Unauthorized Service or Modification.

Defects or damages resulting from service, testing adjustment, installation, maintenance, alteration or modification in any way by anyone other than STANLEY® Engineered Fastening, or its authorized service centres, are excluded from coverage.

All other warranties, whether expressed or implied, including any warranties of merchantability or fitness for purpose are hereby excluded.

Should this tool fail to meet the warranty, promptly return the tool to our factory authorized service centre location nearest you. For a list of STANLEY® Engineered Fastening Authorized Service Centres in the US or Canada, contact us at our toll free number (877)364 2781.

Outside the US and Canada, visit our website www.StanleyEngineeredFastening.com to find your nearest STANLEY Engineered Fastening location.

STANLEY Engineered Fastening will then replace, free of charge, any part or parts found by us to be defective due to faulty material or workmanship, and return the tool prepaid. This represents our sole obligation under this warranty.

In no event shall STANLEY Engineered Fastening be liable for any consequential or special damages arising out of the purchase or use of this tool.

Register Your Blind Rivet Tool online.

To register your warranty online, visit us at

<https://www.stanleyengineeredfastening.com/support/warranty-registration-form>

Thank you for choosing a STANLEY® Engineered Fastening's Stanley Assembly Technologies Brand tool.

©2019 STANLEY Black & Decker
無断転載禁止

本説明書で示された情報は、STANLEY Engineered Fasteningからの事前の明示および書面による許可なしに、いかなる手段(電子的または機械的)によっても複製がつかない方法による公開も許可しません。示された情報は、本製品の紹介時点で知られたデータに基づいています。STANLEY Engineered Fasteningは絶え間ない製品開発のポリシーを遂行するため、製品の仕様は変更の対象となる場合があります。示された情報は、STANLEY Engineered Fasteningによって納品された時点で製品に適用されます。そのため、STANLEY Engineered Fasteningは、製品本来の仕様からの逸脱による損傷について一切の責任を負いません。

利用可能な情報は最大限の注意を払って整理しました。しかし、STANLEY Engineered Fasteningは情報のいかなる誤りおよびそれが原因で生じる結果に関しても責任を受け入れません。STANLEY Engineered Fasteningは、第三者によって行われた行為によって引き起こされた損傷についての責任を受け入れません。STANLEY Engineered Fasteningによって使用される作業名、取引名、登録商標などは、商標保護の観点から自由で法律に準拠するものとはみなされません。

目次

1. 安全の定義	28
1.1 一般安全ルール	28
1.2 発射の危険	28
1.3 動作中の危険	29
1.4 繰返し動作の危険	29
1.5 アクセサリの危険	29
1.6 作業場の危険	29
1.7 ノイズの危険	30
1.8 振動の危険	30
1.9 油圧パワーツールの追加の安全指示	30
2. 仕様	31
2.1 用途	31
2.2 工具仕様	31
2.3 工具動作	32
3. 作動	33
3.1 操作の基本原則	33
3.2 使用の準備	34
4. 操作指示	35
4.1 AVBOLT® 締付け具の取付け	35
4.2 AVDELOK® XT締付け具の取り付け	35
5. ツールの保守	36
5.1 毎日の保守	36
5.2 毎週の保守	36
5.3 年1回の保守/250,000回稼働ごと	36
5.4 サービスキット	36
5.5 サービスツール	36
5.6 作動油	36
5.7 取り外しの指示	37
5.8 環境保護	39
6. 総組立図と部品表	40
6.1 総組立図	40
6.2 部品表	42
7. 安全データ	43
7.1 ENERPACE® HF作動油 - 安全データ	43
7.2 MOLYLITHIUMグリースEP 3753 - 安全データ	43
7.3 MOLYKOTE®111グリース - 安全データ	44
8. 故障診断	45
9. EC 法令順守の宣言	47
10. 英国の適合宣言	48
11. 投資の保護	49



この取扱説明書は、以下の安全上の警告と指示に特に注意を払って、このツールを設置または操作する人すべてが読む必要があります。



ツールの操作中は、必ず耐衝撃性の保護メガネを着用してください。必要な保護等級は、使用ごとに評価します。



このツールを使用する場合、圧搾、衝撃、切り傷、擦り傷、熱など、オペレータは手を損傷する可能性があります。適切な手袋を着用して手を保護してください。



雇用主の指示に応じて、労働安全衛生規制の要求に従い、聴覚保護具を使用してください。

1. 安全の定義

下記の定義は各シグナルの言葉に対する重大さを示しています。マニュアルを良く読み、これらの表示に注意を払ってください。



危険: この表示を無視した場合、人が死亡または重傷を負うであろう差し迫った危険な状況を示します。



警告: この表示を無視した場合、人が死亡または重傷を負う可能性がある潜在的な危険な状況を示します。



注意: この表示を無視した場合、軽度または中程度の障害を負う場合がある潜在的な危険な状況を示します。



注意: 表示を無視した場合、潜在的な危険な状況を示す安全上の警告表示なしで使用すると、資産が損傷する場合があります。

本製品の不適切な操作または保守を行った場合は、重傷および資産の損傷を招く可能性があります。

本機を使用する前に、すべての警告および操作の説明を読み理解してください。使用時電動工具を使用するときは、怪我のリスクを減らすために基本的な安全上の注意を必ず守る必要があります。

今後も参考にして頂くため、警告と取扱い説明書はすべて保管してください。

1.1 一般安全ルール

- 複数の危険がある場合は、ツールの取り付け、操作、修理、保守、アクセサリの交換、またはツールの近くで作業する前に、安全指示を読み理解してください。怠った場合、重大な人身事故が発生する可能性があります。
- 資格を有し、訓練を受けたオペレータのみが、ツールを取り付け、調整、または使用する必要があります。
- 設計の本来の目的以外で、STANLEY Engineered Fastening ブラインドリベットを取り付けしないでください。
- 当社が推奨する部品、締付け具、アクセサリのみを使用してください。
- ツールを改造しないでください。改造した場合、安全対策の有効性が低下し、オペレータのリスクが高まる可能性があります。本機に対する改造がお客様によってなされた場合、すべての責任はお客様になり保証の適用は受けられなくなります。
- 安全指示を破棄せず、オペレータに渡してください。
- ツールが破損している場合は使用しないでください。
- 使用する前に、可動部品の不整合や結合、部品の損傷、それ以外にツールの操作に影響を及ぼす状態がないかを確認してください。損傷がある場合は、使用する前にツールを修理してください。使用する前に調整キーまたはレンチを取り外してください。
- ツールは定期的に点検して、ISO 11148の該当部分に必要な定格とマーキングが、ツールにマークされ、判読可能であることを確認します。雇用者/ユーザーは、必要に応じて製造元に連絡し、交換用のマーキングラベルを入手してください。
- 本ツールは、常に安全な作業状態が維持され、損傷や機能を確認するために訓練を受けた担当者が定期的に検査する必要があります。分解作業は、訓練を受けた担当者が行います。保守の説明を予め参照することなく本機を分解しないでください。

1.2 発射の危険

- 保守作業、ノーズアセンブリやアクセサリの調整、取り付け、取り外しの前に、油圧ポンプユニットからツールを取り外してください。
- ワークピースやアクセサリ、または挿入されたツール自体の故障が高速発射物を生み出す可能性があることに注意してください。

- ツールの操作中は、必ず耐衝撃性の保護メガネを着用してください。必要な保護等級は、使用ごとに評価します。
- 評価の際、他者へのリスクも評価します。
- ワークピースがしっかりと固定されていることを確認します。
- ファスナーおよび/またはマンドレルの排出から保護する手段が所定の場所にあり、適切に機能していることを確認します。
- ツールの前面からマンドレルが強制的に排出される可能性があることに注意してください。
- 人に向けてツールを操作しないでください。

1.3 動作中の危険

- このツールを使用する場合、圧搾、衝撃、切り傷、擦り傷、熱など、オペレータは手を損傷する可能性があります。適切な手袋を着用して手を保護してください。
- オペレータと保守担当者は、ツールの大きさ、重量、およびパワーを物理的に取り扱うことができる必要があります。
- ツールを正しく保持します。通常または突然の動きに対処する準備をし、両手が使える状態にします。
- 本機のハンドルの部分は乾いたきれいな状態を保ち、油やグリスの付着がないようにしてください。
- ツールを操作するときは、バランスのとれた姿勢を維持し、足場を確保してください。
- 油圧供給が中断された場合は、スタートアンドストップ（起動停止）装置を解除してください。
- 製造元が推奨する潤滑剤のみを使用してください。
- 油圧油に触れないでください。万一触れてしまった場合は、発疹が発生しないように、完全に洗い流してください。
- 油圧油および潤滑油の製品安全データシートは、ツール供給者に請求してください。
- こうした姿勢では、ツールの通常または予期しない動きに対処することがおそろできないため、不適切な姿勢は避けてください。
- ツールがサスペンション装置に固定されている場合は、しっかりと固定されていることを確認してください。
- ノーズ装置が取り付けられていない場合、手が圧搾されたり、挟まれる危険があることに注意してください。
- ノーズハウジングを外した状態で操作しないでください。
- 操作を始める前に、オペレータの手と本機との間に適切な間隔があることを確認してください。
- 本機を持ち運ぶ場合は、トリガから手を離し、不用意に起動しないでください。
- ツールをハンマーとして落としたり、使用しないでください。
- 使用済みのマンドレルが危険の原因とならないように十分注意してください。

1.4 繰返し動作の危険

- このツールを使用すると、オペレータは手、腕、肩、首、またはその他の体の部分に不快感を覚える可能性があります。
- ツールを使用している間、オペレータは安全な足場を確保し、ぎこちない姿勢やバランスが崩れた姿勢ではなく、快適な姿勢を保つ必要があります。長時間の作業の場合、不快感や疲労を軽減するために、姿勢を変えてください。
- オペレータに持続するまたは再発する不快感、痛み、ズキズキする痛み、うずくような痛み、チクチクする痛み、しびれ、灼熱感、またはこわばりなどの症状がある場合、これらの警告サインを無視しないでください。オペレータは雇用主に伝え、資格のある医療従事者に相談してください。

1.5 アクセサリの危険

- ノーズアセンブリまたはアクセサリを取り付けたり取り外したりする前に、ツールをエア供給から外します。
- ツールの製造元が推奨するサイズと種類のアクセサリと消耗品のみを使用してください。それ以外のサイズや種類のアクセサリと消耗品を使用しないでください。

1.6 作業場の危険

- スリップ、つまずき、転倒は、作業場の怪我の主な原因です。ツールの使用によって引き起こされる滑りやすい表面と、エアラインまたは油圧ホースによって引き起こされるつまずきの危険に注意してください。
- 不慣れな環境の中では、特に注意してください。電気やその他のユーティリティラインなどの隠れた危険がある可能性があります。
- このツールは、爆発性雰囲気での使用を想定しておらず、電力との接触に対して絶縁されていません。
- ツールの使用により、損傷した場合に危険を引き起こす可能性のある電気ケーブル、ガス管などがいないことを確認してください。

- 衣服をきちんと着用してください。だぶだぶの衣服やジュエリーを身に着けないでください。髪、衣服、手袋を可動部分から離してください。だぶだぶの衣服、ジュエリーや長い髪は可動部分に引き込まれる可能性があります。
- 使用済みのマンドレルが危険の原因とならないように十分注意してください。

1.7 ノイズの危険

- 高いノイズレベルにさらされると、永続的な聴覚障害や耳鳴りなどのその他の問題（耳鳴り、うなり、ヒューヒュー音、ブンブン音）を引き起こす可能性があります。そのため、リスク評価とこれらの危険に対する適切な管理の実施が不可欠です。
- リスクを低減するための適切な管理には、ワークピースの「耳鳴り」を防止するための制振材などの処置が含まれる場合があります。
- 雇用主の指示に応じて、労働安全衛生規制の要求に従い、聴覚保護具を使用してください。
- 騒音レベルの不必要な上昇を防ぐために、取扱説明書で推奨されているようにツールを操作し保守してください。

1.8 振動の危険

- 振動にさらされると、手や腕の神経や血液供給に障害を引き起こす可能性があります。
- 寒い場所で作業するときは暖かい服を着て、手を暖かく乾いた状態に保ってください。
- 指や手の皮膚のしびれ、うずき、痛み、または白化がある場合は、ツールの使用を中止し、雇用主に連絡して医師に相談してください。
- 軽量のグリップを使用してツールを支持できるため、可能な場合はスタンド、テンショナー、またはバランスサーでツールの重量を支えます。

1.9 油圧パワーツールの追加の安全指示

- 油圧供給は 550 bar (8000 PSI) を超えないようにしてください。
- 油圧により重傷を引き起こす可能性があります。
- 2.73 l/min (200 in 3/min) の吐出し量で使用圧700 bar未満 (10,000 PSI) の評価の柔軟油圧ホースには取り付けしないでください。
- 本機を人がいない状態で動作させないでください。ツールを使用していないとき、アクセサリを交換する前、または修理を行うときは、油圧ホースおよび電気ケーブルをポンプから外してください。
- ホースを急に動かすと、重傷を負う可能性があります。ホースや継手の損傷や緩みがないか常に確認してください。
- 使用する前に、油圧ホースに損傷がないか検査し、油圧接続はすべて清潔で、完全に係合され、稼働の前に継ぎ手がしっかりと締まっていることを確認してください。ホースの上に重い物を落とさないでください。鋭い衝撃は内部の損傷の原因になりホースの欠陥を早期に招く場合があります。
- ユニバーサルツイストカップリング (クローカップリング) を使用する場合は、必ずロックピンを取り付け、ホイップチェック安全ケーブルを使用して、ホースとツールまたはホースとホースの接続不良が起きないように安全対策を講じてください。
- ホースまたは電気ケーブルで位置決めツールを持ち上げないでください。必ず位置決めツールのハンドルを使用してください。
- ホースを使用して油圧ポンプユニットを引っ張ったり、移動したりしないでください。必ずポンプユニットハンドルまたはロールケージを使用してください。
- 本機が誤動作する原因になるため、本機の油圧システムに汚れ、異物が付かないようにしてください。
- 清潔なオイルおよび充填機器のみを使用してください。
- 推奨の作動油のみを使用してください。
- 電源ユニットは、冷却に必要な空気のフリーフローを必要とするため、危険な煙のない換気の良い場所に配置する必要があります。
- インレットの作動油の最高温度は110°C(230°F)です。

STANLEY Engineered Fasteningのポリシーは、継続的な製品開発と改善の一貫であり、事前の通知なく製品の仕様を変更する権利を有しています。

2. 仕様

2.1 用途

AV™15設置ツールは、主にピストンとシリンダアセンブリで構成されています。互換性のある油圧源や関連するノーズアセンブリと油圧や電氣的に接続した場合、産業環境で1/2" Avdelok® XT、1/2" Avbolt®の取り付けに使用可能です。

位置決めツールと油圧ポンプユニットは、使用説明書に従ってStanley Engineered Fastening構造リベットの配置に使用できます。

適用可能な締付け具および対応するノーズ装置のリストについては、以下の表を参照してください。対応するノーズアセンブリの指示については、表に一覧表示されているデータシートを参照してください。

濡れた状態や可燃性の液体や気体のある場所では使用しないでください。

締付け具		ノーズアセンブリ			ノーズアセンブリ データシート
タイプ	寸法	部品番号	DIM.'A'	DIM.'B'	部品番号
AVBOLT®	1/2"	73432-03100	108 mm	43 mm	07900-00905
		73433-03100*	108 mm	43 mm	07900-00905
AVDELOK® XT	1/2"	73432-03200	107 mm	43 mm	07900-00919
		73433-03200*	107 mm	43 mm	07900-00919

* ジョーリリリース付きノーズアセンブリ。

ノーズアセンブリの寸法「A」と「B」については、32ページの図を参照してください。

常に安全指示を順守する必要があります。

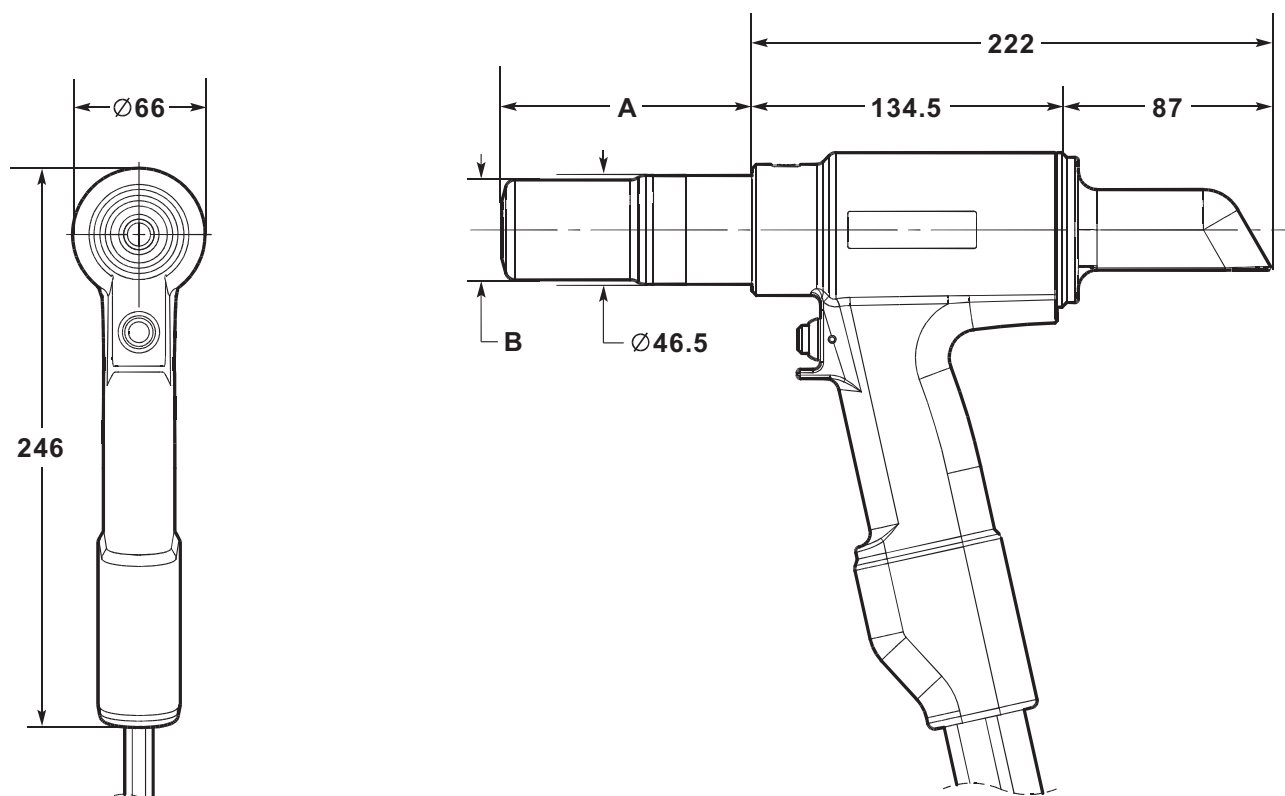
2.2 工具仕様

仕様		メートル式	英国式
力:	所定の引っ張り圧力で引っ張り	80.0kN	17984.7 lbf
	所定の戻り圧力で押し出し	37.0kN	8317.9 lbf
圧力:	引込み	510 bar	7397 PSI
	職場への	200 bar	2901 PSI
ストローク:	ピストンストローク	32.0 mm	1.26 in
重量:	ノーズ装置を除く	4.5 kg	9.9 lb
作動油:	Enerpac® 作動油 – HF-95X		
製品シリーズ:	Avbolt®	12.7 mm	1/2 in
	Avdelok® XT	12.7 mm	1/2 in
追加の特長:	ステム吐出 – フロントまたはリア	リア	
	シール配置	ツインリップシールとワイパーシール	
	油圧ベアリングリング	あり – フロントおよびリア	
	保護ハンドル / ホースゲーター	あり	
	保護ホースガード	あり	
	ホース/ケーブル保持クランプ	あり	

ノイズテストコードISO 15744およびISO 3744に従って決定されたノイズ値。		AV15
A特性音響パワーレベルdB(A)、 L_{WA}	不確定ノイズ: $k_{WA} = 3.0$ dB(A)	93.6 dB(A)
ワークステーションでのA特性放出音圧レベルdB(A)、 L_{pA}	不確定ノイズ: $k_{pA} = 3.0$ dB(A)	82.6 dB(A)
C特性ピーク放出音圧レベルdB(C)、 L_{pC} 、ピーク	不確定ノイズ: $k_{pC} = 3.0$ dB(C)	126.2 dB(C)

振動テストコードISO 20643およびISO 5349に従って決定された振動値。		AV15
振動放出レベル a_{hd} :	不確定振動: $k = 0.44$ m/s ²	0.872 m/s ²
EN 12096に基づき宣言された振動放出値		

2.3 工具動作



寸法はすべてミリメートルで示されます。

ノーズアセンブリの寸法'A'と'B'については、31ページの表を参照してください。

ツールには、2本の油圧ホースと長さ0.6mの電気制御ケーブルが取り付けられています。追加の油圧ホースとケーブルエクステンションは、必要に応じて個別にご注文いただけます。使用可能なホースアセンブリの長さに対応する部品番号については、以下の表を参照してください。

液圧ホース・アセンブリ	
部品番号	ホース長さ
07008-00448	5メートル
07008-00449	10メートル
07008-00450	15メートル

3. 作動

3.1 操作の基本原則

重要 - 作動する前に、28～30ページの安全規則と機器に付属の技術マニュアルをすべて注意深く読んでください。

ホースと制御ケーブルの両方がAvdel® / Enerpac®油圧ポンプユニットに接続されている場合、ツールの引込みサイクルと戻りサイクルは、ハンドルにあるトリガーを押し下げて解放することで制御されます。

スイッチを押すと、油圧ポンプユニットのソレノイドバルブが作動し、加圧されたオイルの流れが位置決めツールのピストンの引込み側に誘導されます。またこれにより、位置決めツールの戻り側のオイルがリザーバーに戻されます。

引き込みサイクル中、ピストン/コレットアセンブリはツールの後方に移動し、Oリング型のクッションによりフォロワーとジョーが前方に押されます。ファスナーピンがノーズアセンブリに挿入されている場合、ジョーセットがピンテールに固定され、アセンブリが動作を開始します。

Avbolt®とAvdelok®XTの取付サイクルでは、最初にジョイントをクランプして固定し、次にアンビルを前方に動かし、カラーをピンの係止溝に狭圧させます。スウェーミングサイクル終了時にアンビルがジョイントに当たり、動作が継続するとピンテールが破損します。

ピンが破損した場合、直ちにトリガースイッチを解放します。トリガースイッチが解放されると、ソレノイドが無電圧状態になり、加圧オイルの流れが逆に作用します。

トリガーが解放されない場合、位置決めツールのピストンは、ストロークの終了位置に達するまでツールの後方に向かって移動し続けます。引込み側の圧力は、ポンプで事前設定された「高圧」値に達するまで増加します。この時点で、ソレノイドバルブは自動的に無電圧状態となり、位置決めツールの戻り側への加圧オイルの流れを逆方向に設定します。

いずれの場合も、加圧オイルが位置決めツールの戻り側に流れ込み、引込み側のオイルがリザーバーに戻ります。

ピストン/コレットアセンブリを前方に動かすと、取り付けられている締付け具がアンビルから吐出されます。

トリガーを放した時点、または「高圧」値に達すると、ソレノイドバルブがオフになり、事前設定された「戻りタイマー」が有効になります。これにより、アイドルモードに切り替える前にポンプモーターが動作し続ける時間が制御されます。タイマーは手動で5～20秒に設定して、位置決めツールのピストンが常に完全に前方位置に戻るようにすることができます（ポンプ操作マニュアル07900-01030、10、13ページを参照）。

ピストンが完全に前方の位置に戻ると、圧力は事前設定された低圧値（c200bar）まで上昇します。ポンプモーターは、戻りタイマーが切れるまで作動し続けます。この時間が経過すると、モーターは自動的に停止し、バルブはアイドル位置に切り替わります。その後、ソレノイドバルブが自動的に循環して、位置決めツールの引込み側と戻り側の両方から加圧オイルをリザーバーに放出します。

これにより、設置ツールが前方位置に保持されます。この時点では、油圧システムに圧力はかかりません。

油圧ポンプユニットは、ツールトリガースイッチを押すと自動的に起動します。

3.2 使用の準備

注意 - 位置決めツールの正常な機能を確保するためには、適切な引込みおよび戻り圧力を適用することが重要です。正しい圧力が供給されないと、人に傷害を与えたり設備に損傷を与えたりする恐れがあります。油圧ポンプユニットにより供給される引込みおよび戻り圧力は、位置決めツールの仕様に記載されている圧力を超えてはなりません。

重要 - 位置決めツールと油圧ホースでサービスを行う前に:

ポンプ操作マニュアルおよび位置決めツールとホースに規定されている最大圧力に従って、ポンプ圧力逃がし弁が設定されていることを確認してください。

ポンプ操作マニュアル07900-01030の手順に従って、ホースキットが油圧作動油でプライミングされていることを確認してください。

- 油圧ポンプユニット側の主電源がオフになっていることを確認します。
- 電気制御ケーブルを接続する前に、位置決めツールの油圧ホースクイックカプラーをポンプユニットに直接接続します。ホースと制御ケーブルは、この順序で接続し、逆の順序で切断する必要があります。
- 油圧ポンプユニット側の主電源をオンにします。トリガースイッチを押す前に、ポンプユニットが起動シーケンスを完了するまで5秒間待ちます。すべて設定すると、ポンプユニットのLCD画面に「AVDEL」が表示されます。
- 起動シーケンス中、ポンプ制御システムはトリガー操作を潜在的誤動作として認識し、モーターの始動を阻止します。この場合、LCD画面に「BUTTON FAULT」と表示されます。電源を10秒間オフにしてリセットします。
- 位置決めツールがポンプリザーバタンクの下に配置されていることを確認します。位置決めツールのトリガースイッチを数回押して放し、ツールのほぼフルストロークまで作動油を循環させ、ツールから空気を排気します。
- ツールの動きを観察します。液体の漏れを点検し、アイドルモードでピストンが完全に前方位置にあることを確認します。これで位置決めツールの準備が完了しました。
- ポンプユニット側主電源をオフにしてから、上記と逆の順序で位置決めツールをポンプユニットから外します。
- ここで位置決めツールをプライミングした油圧ホースキットと電気制御ケーブルに接続します。次に、油圧ホースキットのクイックカプラーと電気制御ケーブルをポンプユニットに接続します。
- 対応するノーズアセンブリデータシートの指示に従って、ノーズアセンブリをツールに取り付けます。
- 上記の通り、油圧ポンプユニット側の主電源をオンにします。
- 位置決めツールのトリガースイッチを数回押して、ツールのフルストロークまで作動油を循環させます。
- これで、位置決めツールの操作準備が完了です。

4. 操作指示

4.1 AVBOLT® 締付け具の取付け

- 動作を点検し、余分な隙間を取り除きます。(隙間とは、ジョイントのコンポーネント間のスペースです。ノーズアセンブリージョーが掛かるのに十分なピンテールがカラーに突き刺さっていない場合、隙間が過剰です)。
- Avbolt®締付け具を穴に差し込みます。
- ノーズアセンブリーアンビルがカラーに対して停止するまで、ノーズアセンブリーをピンに押し込みます。ツールとノーズアセンブリーは、動作に対して直角(90°)に保持する必要があります。
- ツールトリガースイッチを押して、取り付けサイクルを開始します。
- ノーズアセンブリーアンビルの前進動作が停止し、ピンテールが破損したら、トリガーを放します。ツールは戻りストロークになり、取り付けられた締付け具を押し出します。戻りストロークの終了時に、ジョーは消耗されたピンテールを部分的に解放します。ピンテールは、次の取り付けでジョーに押し込まれ、ツールの後部から取り出されます。
- 取り付けられた締付け具が排出されると、ツールとノーズアセンブリーは次の取り付けに使用することができます。

4.2 AVDELOK® XT締付け具の取り付け

- 動作を点検し、余分な隙間を取り除きます。(隙間とは、ジョイントのコンポーネント間のスペースです。ノーズアセンブリージョーが掛かるのに十分なピンテールがカラーに突き刺さっていない場合、隙間が過剰です)。
- Avdelok® XT締付け具を穴に差し込みます。
- Avdelok® XTカラーをピンの上に押し込みます。(カラーの斜角端部は、ノーズアセンブリーとツールの方向を向いている必要があります。)
- ノーズアセンブリーアンビルがカラーに対して停止するまで、ノーズアセンブリーをピンに押し込みます。ツールとノーズアセンブリーは、動作に対して直角(90°)に保持する必要があります。
- ツールトリガースイッチを押して、取り付けサイクルを開始します。
- ノーズアセンブリーアンビルの前進動作が停止し、ピンテールが破損したら、トリガーを放します。ツールは戻りストロークになり、取り付けられた締付け具を押し出します。戻りストロークの終了時に、ジョーは消耗されたピンテールを部分的に解放します。ピンテールは、次の取り付けでジョーに押し込まれ、ツールの後部から取り出されます。
- 取り付けられた締付け具が排出されると、ツールとノーズアセンブリーは次の取り付けに使用することができます。

注意 - カラーを取り付けずにピンテールを折らないでください。これにより、AVDELOK®またはAVBOLT®ピンテールの固定されていない部分が高速で強制的にノーズから放出されます。

5. ツールの保守

重要 - 28～30ページの安全指示を読んでください。雇用者には、適切な人員にツールのメンテナンス指示を伝える責任があります。適切に訓練されていないオペレーターは、ツールのメンテナンスあるいは修理に関与することは認められません。ツールは、定期的に損傷と故障がないか検査するものとします。

5.1 毎日の保守

- 位置決めツール、ホース、クイックカップラーにオイル漏れがないか確認します。
- 磨耗あるいは損傷したホースやカップリングは交換します。
- ツールのストロークが仕様通りであることを確認します。
- ステムデフレクターが取り付けられているか確認します。
- ポンプの引き込み圧力/前進圧力リリーフバルブが正しく機能していることを確認します。
- 取り付けカラーのスコアマークでアンビルが磨耗していないか確認します。これは、締付け具カタログの取り付けデータを参照して点検することもできます。過度の磨耗により、アンビルが破裂する可能性があります。

5.2 毎週の保守

- 対応するノーズアセンブリーデータシートの記載に従って、ノーズアセンブリー（特にジョー）を分解し清掃します。
- 位置決めツール、ホースおよびクイックカップラーにオイル漏れがないか確認します

注意 - ツールの非金属部品の清掃には、溶剤やその他強い薬液は絶対に使わないでください。これらの薬液は部品に使用されている材料を劣化させる場合があります。

5.3 年1回の保守/250,000回稼働ごと

- ツールは250,000サイクルごとに、完全に分解し、破損または磨耗した構成部品は推奨に従い交換します。組み立ての前に、Oリング、バックアップリングおよびシールはすべて新品に交換し、MolyKote®111グリースで潤滑します。

5.4 サービスキット

フルサービスでは、次のサービスキットが利用可能です。

サービスキット：73432-99990			
部品番号	説明	部品番号	説明
07005-10118	クイックカップラー（オス）	07900-00966	AV15 ピストンガイドスリーブ
07005-10120	クイックカップラー（メス）	07900-00967	AV15 エンドキャップアセンブリーツール
07900-00961	AV15 ピストンプレート - フロント	07992-00020	グリース - MolyLithium EP3753
07900-00962	AV15 ピストンプレート - リア	07900-00755	グリース - Molykote® 111
07900-00965	AV15 フロントグランドガイドロッド	07900-00756	Loctite® 243 Threadlocker

5.5 サービスツール

次の標準ツールも必要です：

- 六角レンチ：2.0 / 3.0 mm
- オープンエンドフラットスパナ：12 / 14 / 18 / 24 / 45 mm A/F
- PTFE テープ：10 mm
- ジョーガード付きエンジニアバイス - 150 mm

5.6 作動油

注意 - Enerpac® HF作動油のみを使用してください。他のオイルを使用すると、位置決めツールとポンプが誤動作し、位置決めツールの保証が無効になる場合があります。

作動油は、以下の部品番号で注文いただけます。

作動油			
部品番号	07992-00081	07992-00082	07992-00083
Enerpac® Part Number	HF-95X	HF-95Y	HF-95T
容量	1 リットル	5 リットル	20 リットル
粘度	32 mm ² /s	32 mm ² /s	32 mm ² /s

5.7 取り外しの指示

重要 – ノーズアセンブリの取外しまたは位置決めツールの取外しを行う前に、油圧ポンプユニット側の主電源がオフになっていることを確認してください。

取外しの前に:

- 位置決めツールと油圧ホースアセンブリの間のクイックカップラー**10**と**11**および電気制御ケーブル**14**を切り離します。
- 対応するノーズアセンブリデータシートの指示に従って、ノーズアセンブリを位置決めツールから取り外します。
- メンテナンスの前に、作業工程で装置に付着した可能性のある危険物を除去する必要があります。

ツールを完全点検する場合は、37～39ページに記載の順にツールを分解してください。ツールを分解した後はシールをすべて交換することを推奨します。

ヘッドピストンアセンブリ:

- 小型のマイナスドライバーを使用して、コレットアダプター**40**からピン**41**を取り外します。
- ネジを外して、ピストン**1**からコレットアダプター**40**を取り外します。
- エンドキャップ**17**からデフレクター**3**を取り外します。
- ツールを下向きにして、ソフトジョーでツールハンドルを万力に固定します。*エンドキャップアセンブリツールのダウエルピンをエンドキャップ**17**の3つの穴に挿入します。
- 24 mm A/Fスパナを使って、ボディ**2**からエンドキャップ**17**を取り外します。
- 小型のマイナスドライバーを使用して、エンドキャップ**17**からOリング**21**を取り外し、廃棄します。
- スペアの*クイックカップラー(オス)を油圧ホース戻り**18**のクイックカップラー(メス)**11**に接続します。これにより、ピストン**1**の戻り側から圧力が解放され、リアシールグランド**16**を簡単に取り外すことができます。
- 3本のM4スクリューをリアシールグランド**16**に挿入し、これらを使用して、ピストン**1**のリアシャフトから部品を引き出し、ボディ**2**を取り外します。
- 小型のマイナスドライバーまたは同様の工具を使用して、リアシールグランド**16**の外部溝からOリング**30**とスパイラルバックアップリング**36**を取り外し、廃棄します。シールを取り外す際は、ドライバーでリアシールグランドの表面を傷つけないように注意してください。
- リアシールグランド**16**の内部溝からロッドシール**28**とワイパーシール**31**を取り外し、廃棄します。シールを取り外す際は、ドライバーでリアシールグランドの表面を傷つけないように注意してください。
- リアベアリングリング**29**を取り外し、部品に摩耗や損傷がないか確認します。必要に応じて破棄します。
- バイスから位置決めツールを取り外し、ツールの後部から作動油を排出します。クイックカップラー(メス)**11**からスペアの*クイックカップラー(オス)を取り外します。
- スペアの*クイックカップラー(メス)を油圧ホース引き込み**19**のクイックカップラー(オス)**10**に接続します。これにより、ピストン**1**の引き込み側から圧力が解放され、ピストンを簡単に取り外すことができます。
- *ピストンレット - フロントをピストン**1**の前面にねじ込みます。
- ボディ**2**を上向きにしてベンチに置きます。次に、柔らかい木槌を使用して、ボディの穴を損傷しないように注意しながら、ピストン**1**をボディの後方に向かって打ちつけ、後端から取り外します。
- ピストン**1**を取り外す際に、ピストンの引き込み側のオイルがボディ**2**の前後から漏れ出すことに注意してください。
- ピストン**1**を取り外す際に、フロントシールグランド**15**がピストンシャフトに保持される場合があります。この

太文字で表記されているすべての番号については、40、41、42ページの総組立図と部品表を参照ください。

* 36ページのサービスキット。

場合、*ピストンレット - フロントのネジを外し、フロントシールグランドをピストンから引き抜きます。

- 小型のマイナスドライバーを使用して、ピストンシール**26**と2つの押し出し防止リング**27**をピストン**1**の外部溝から取り外し、廃棄します。シールを取り外す際は、ドライバーでピストン**1**の表面を傷つけないように注意してください。
- フロントシールグランド**15**がまだボディ**2**に保持されている場合は、ボディノーズをベンチに置き、フロントシールグランドをボディ内のくぼみから外れるまで前方から押し込みます。その後、フロントシールグランドをボディの後端から取り外すことができます。その際、ボディ内のボアを傷つけないように注意してください。
- 小型のマイナスドライバーを使用して、フロントシールグランド**15**の外部溝からOリング**23**とスパイラルバックアップリング**34**を取り外し、廃棄します。シールを取り外す際は、ドライバーでフロントシールグランドの表面を傷つけないように注意してください。
- フロントシールグランド**15**の内部溝からシール**25**とワイパーシール**22**を取り外し、廃棄します。シールを取り外す際は、ドライバーでフロントシールグランドの表面を傷つけないように注意してください。
- フロントベアリングリング**24**を取り外し、部品に摩耗や損傷がないか確認します。必要に応じて破棄します。
- 小型のマイナスドライバーを使用して、ボディ**2**からOリング**21**を取り外し、廃棄します。
- 油圧ホース引き込み**19**のクイックカプラー (オス) **10**からスベアの*クイックカプラー (メス) を取り外します。
- ボディ**2**からセットスクリュー**42**を取り外さないでください。

以下の点に注意しながら、分解と逆の手順で組み立てます。

- 組み立てる前に、すべての構成部品を清掃します。
- シールを組み立てやすくするために、すべてのシール、シール溝、バックアップリング、および組み立てツールにMolykote® 111グリースを薄く塗布します。
- Oリング**23**をフロントシールグランド**15**の上にスライドさせて外部溝に挿入します。取り付けしたOリング前面の同じ溝にスパイラルバックアップリング**34**を挿入します。Oリングとスパイラルバックアップリングの正しい方向については、総組立図および部品リストを参照してください。
- フロントベアリングリング**24**をフロントシールグランド**15**の内部のくぼみに押し込み、ロッドシール**25**をフロントベアリングリングの後方に取り付けます。ワイパーシール**22**をフロントシールグランドの前方のくぼみに取り付けます。ロッドシールとワイパーシールの正しい方向を確認するには、総組立図を参照してください。
- シールグランド**15**を取り付けるボディ**2**の穴の表面と前縁にMolykote®111グリースを塗布します。
- *フロントグランドガイドロッドツールでスピゴットを潤滑してから、フロントシールグランド**15**、ロッドシール**25**の端をスピゴットの上に置きます。*フロントグランドガイドロッドをボディ**2**の後部に挿入し、フロントシールグランドをボディの穴に完全に押し込みます。フロントシールグランドをボディに挿入するには適度な力が必要なため、プレスまたはバイスの使用が必要になる場合があります。フロントシールグランドが所定の位置に留まっていることを確認しながら、*フロントグランドガイドロッドを取り外します。
- ピストン**1**のシール溝と主外径にMolykote®111グリースを塗布します。ピストンシール**26**をピストンの主直径の前面にスライドさせてシール溝に挿入します。ピストンシールの両側のピストンシール溝に2つの押し出し防止リング**27**を取り付けます。
- ピストンレット - フロントをピストン**1**の前面にねじ込みます。*ピストンレット - フロント、ピストンシャフト、ピストンシール**26**にMolykote®111グリースを塗布します。
- *ピストンガイドスリーブをボディ**2**の後部に完全にねじ込みます。ボディと*ピストンガイドスリーブの両方の穴にMolykote®111グリースを塗布します。
- スベアの*クイックカプラー (メス) を油圧ホース引き込み**19**のクイックカプラー (オス) **10**に接続します。これにより、ピストンを挿入するときにピストン**1**の引き込み側から空気が排気されます。
- 組み立てたピストン**1**をボディ**2**の後部に挿入し、組み立てたフロントシールグランド**15**に通します。フロントシールグランドに向かって停止するまで、ピストンを完全に前方の位置に押し込みます。作動油が油圧ホース引き込み側**19**から排出されます。
- 油圧ホース引き込み**19**のクイックカプラー (オス) **10**からスベアの*クイックカプラー (メス) を取り外します。*ピストンガイドスリーブをボディ**2**の後部から取り外します。
- Oリング**30**をリアシールグランド**16**の上にスライドさせて外部溝に挿入します。取り付けしたOリングの後方の同じ溝にスパイラルバックアップリング**36**を挿入します。Oリングとスパイラルバックアップリングの正しい方向については、総組立図および部品リストを参照してください。
- リアベアリングリング**29**をフロントシールグランド**16**の内部のくぼみに押し込み、ロッドシール**28**をリアベアリングリングの後方に取り付けます。ワイパーシール**31**をリアシールグランドの後方のくぼみに取り付けます。

太文字で表記されているすべての番号については、40、41、42ページの総組立図と部品表を参照ください。

* 36ページのサービスキット。

ロッドシールとワイパーシールの正しい方向を確認するには、総組立図を参照してください。

- ツールを下向きにして、ソフトジョーでツールハンドルを万力に固定します。
- リアシールグランド**16**を取り付けるボディ**2**の穴の表面と前縁にMolykote®111グリースを塗布します。リアピストン**1**シャフトにMolykote® 111グリースを塗布します。
- *ピストンレット - リアを後部ピストン**1**シャフトに挿入し、Molykote® 111グリースを塗布します。
- ボディ**2**の後部にEnerpac® HF作動油を充填します。オイルレベルは、ボディのリアインレットポアのすぐ上に達している必要があります。
- スペアの*クイックカップラー（オス）を油圧ホース戻り**18**のクイックカップラー（メス）**11**に接続します。これにより、リアシールグランド**16**を挿入する際に、ピストン**1**の戻り側から空気が排気されます。
- リアシールグランド**16**を*ピストンレット - リア上に配置します。次に、リアシールグランドをピストン**1**シャフト上でボディ**2**の後部に押し込みます。ボディ後部で一部めねじが突出するまで、リアシールグランドをボディに押し込みます。リアシールグランドを挿入するときは、ネジ山のOリング**30**とスパイラルバックアップリング**36**を損傷しないように注意してください。
- ボディ**2**の雌ねじとエンドキャップ**17**の雄ねじの両方にMolyLithiumグリースを塗布します。
- *エンドキャップアセンブリツールを使用して、エンドキャップ**17**をボディ**2**の後部に完全にねじ込みます。これで、リアシールグランド**16**がボディ内の所定の位置に押し込まれ、少量のオイルが油圧ホース戻り**18**から排出されます。
- スペアの*クイックカップラー（オス）を油圧ホース戻り**18**のクイックカップラー（メス）**11**から取り外します。
- デフレクター**3**をエンドキャップ**17**に押し込みます。
- 前面がピストンの端と同じ高さになるまで、ピストン**1**にコレットアダプター**40**をねじ込みます。ピストンの端にあるスロットに合わせてコレットアダプターの穴の位置を調整し、ロックピン**41**を挿入します。
- 34ページの「使用の準備」の説明に従って、位置決めツールをプライミングします。

ホースの取り付け：

- 3.0 mmの六角レンチを使用して、ホースクランプ**13**から2本のネジ**9**を取り外します。ホースクランプとクランプインサート**20**を保護スリーブ**37**と油圧ホース戻り**18**と引き込み**19**から取り外します。
- 小型のマイナスイオンドライバーを使用して、ボディ**2**のハンドルからハンドルゲーター**8**をプライミングします。ハンドルゲーターを保護スリーブ**37**、油圧ホース戻り**18**と引き込み**19**上に引き、取り外します。
- ケーブルタイ**35**を切断し、保護スリーブ**37**を後方へスライドさせて、油圧ホース戻り**18**と引き込み**19**で継手を露出させます。12 mmと14 mmのスパナを使用して、ボディ**2**から油圧ホースを取り外すことができます。
- クイックカップラー（オス）**10**と（メス）**11**は、18 mmと24 mmスパナを使用して、油圧ホース戻り**18**と引き込み**19**から取り外すことができます。
- トリガースイッチ**7**を取り外すには、最初にケーブルグランド**38**を緩めて、制御ケーブル**14**がボディ**2**内で自由に動くようにします。次に、2.0 mmの六角レンチを使用して、M4セットスクリュー**12**を外します。
- 制御ケーブル**14**をボディ**2**に押し込み、同時にトリガースイッチ**7**をボディから引き出して、トリガースイッチ端子のはんだ接合部を露出させます。端子のはんだを剥がし、トリガースイッチとトリガーインサート**39**を取り外します。トリガーインサートはトリガースイッチに接着されており、取り外すことはできません。
- これで、制御ケーブル**14**をボディ**2**から引き抜き、保護スリーブ**37**から取り外すことができます。

以下の点に注意しながら、分解と逆の手順で組み立てます。

- 組み立てる前に、クイックカップラー（オス）**10**と（メス）**11**、油圧ホース戻り**18**と引き込み**19**のすべてのめねじを清掃します。次に、両方の油圧ホースの雄ネジに2〜3層の10mmPTFEテープを貼り付けます。
- トリガースイッチ**7**を交換する場合は、トリガーインサート**39**を組み立てる前に、トリガースイッチの雄ネジに*Loctite® 243を塗布します。
- 組み立てる前に、M4セットスクリュー**12**に*Loctite® 243を塗布します。
- 組み立てた後、34ページの指示に従ってツールをプライミングします。

5.8 環境保護

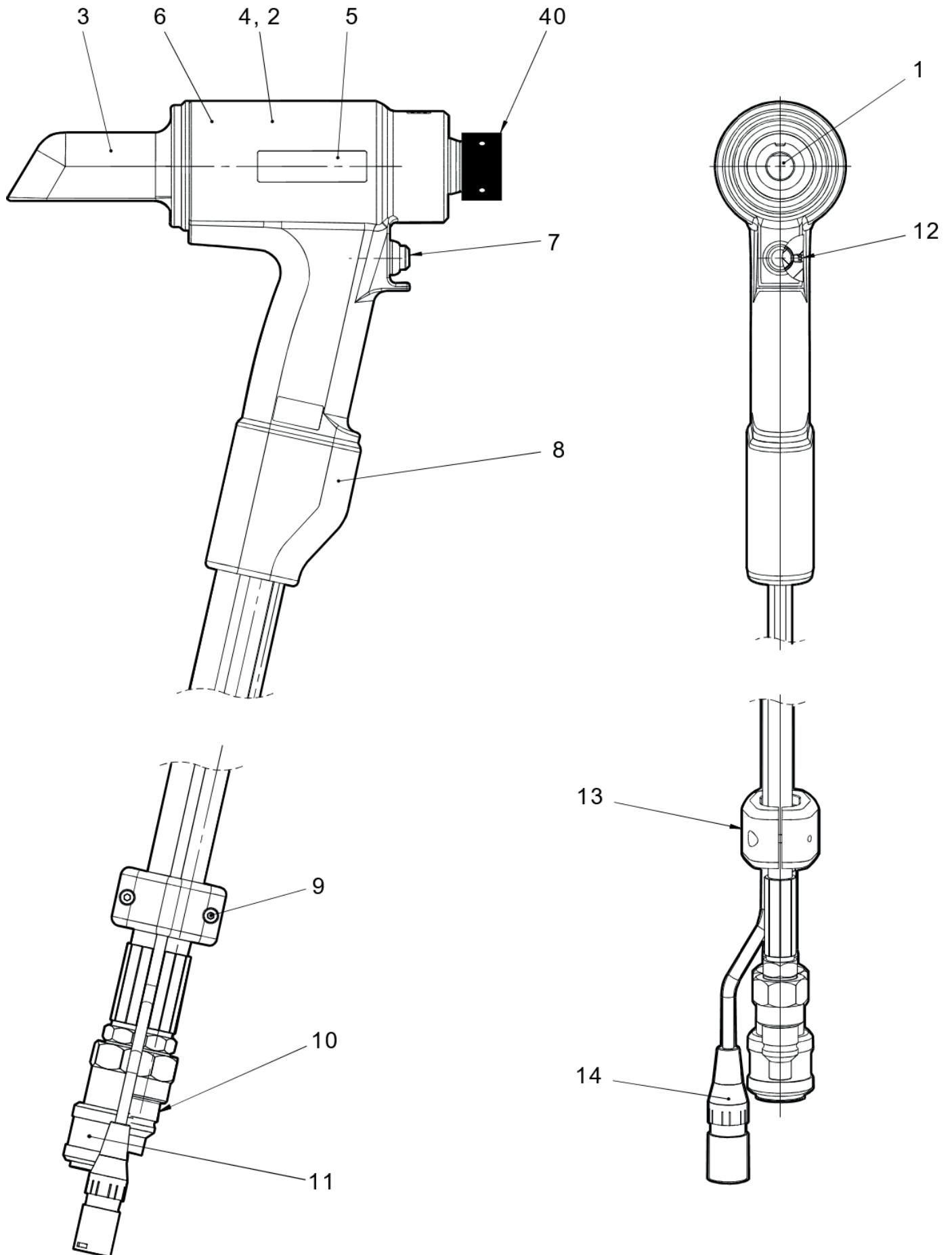
- 適用される廃棄規制への適合を保証します。人や環境を危険にさらさないように、承認された廃棄物施設またはサイトですべての廃棄物を処分してください。

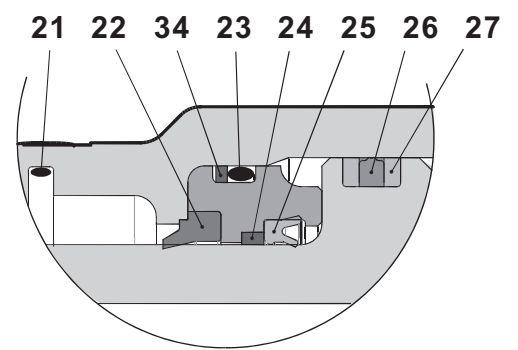
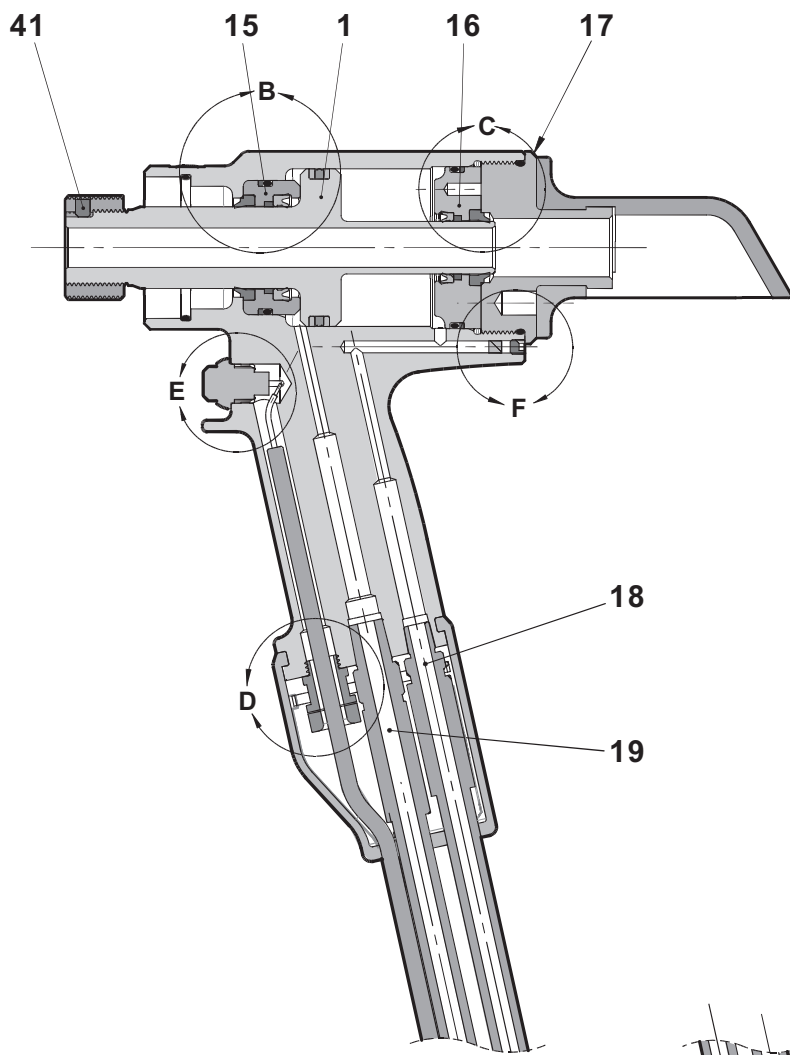
太文字で表記されているすべての番号については、40、41、42ページの総組立図と部品表を参照ください。

* 36ページのサービスキット。

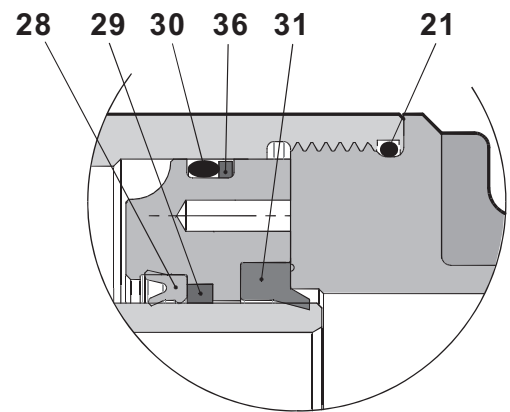
6. 総組立図と部品表

6.1 総組立図

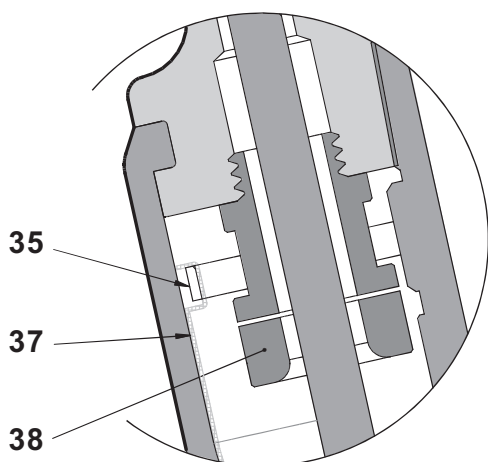




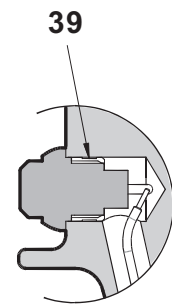
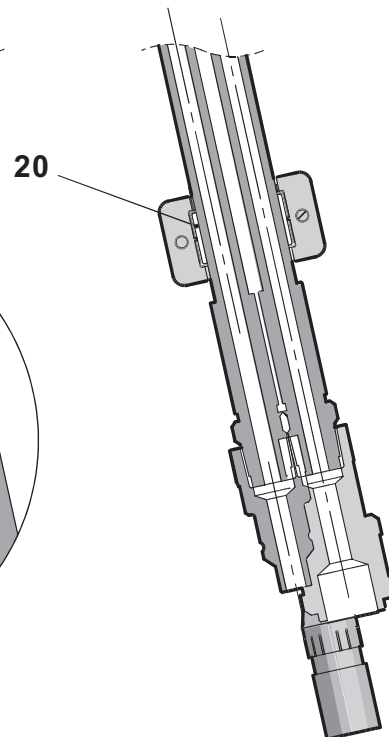
DETAIL B



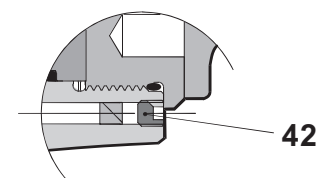
DETAIL C



DETAIL D



DETAIL E



DETAIL F

6.2 部品表

73432-02000の部品表			
品目	部品番号	説明	数量
1	73432-02003	ピストン	1
2	73432-02001	ボディ	1
3	73432-02011	デフレクター	1
4	73425-02016	安全ラベル	1
5	73432-02026	AV15 ラベル	2
6	07007-01504	CE & UKCA ラベル	1
7	07007-02103	トリガースイッチ	1
8	73430-02020	ハンドルゲーター	1
9	07001-00686	M4 X 16 SKT キャップ HD スクリュー	2
10	07005-10118	クイックカップラー (オス)	1
11	07005-10120	クイックカップラー (メス)	1
12	07001-00479	M4 X 4 SKT Sセットスクリュー	1
13	73430-02023	ホースクランプ	1
14	07007-02105	制御ケーブル	1
15	73432-02004	フロントシールグランド	1
16	73432-02006	リアシールグランド	1
17	73432-02005	エンドキャップ	1
18	07005-10119	油圧ホース戻り	1
19	07005-10117	油圧ホース引き込み	1
20	73430-02024	クランプインサート	1
21	07003-00460	Oリング	2
22	07003-00446	ワイパーシール	1
23	07003-00459	Oリング	1
24	73432-02009	フロントベアリングリングリング	1
25	07003-00445	ロッド・シール	1
26	07003-00449	ピストンシール	1
27	07003-00450	押し出し防止リング	2
28	07003-00447	ロッド・シール	1
29	73432-02010	リアベアリングリングリング	1
30	07003-00462	Oリング	1
31	07003-00448	ワイパーシール	1
32			
33			
34	07003-00493	スパイラルバックアップリング	1
35	07007-02032	ケーブルタイ	1
36	07003-00495	スパイラルバックアップリング	1
37	07005-10121	保護スリーブ	0.6 m
38	07007-02104	ケーブルグランド	1
39	73430-02008	トリガーインサート	1
40	73432-02012	コレットアダプター - AV15	1
41	73432-02013	ロックピン - AV15	1
42	07001-00481	M5 X 5 SKT Sセットスクリュー	1
-	07900-01021	AV15 ツール取扱説明書	1

7. 安全データ

7.1 ENERPACE® HF作動油 - 安全データ

救急

皮膚:

短時間、断続的接触で皮膚への被害の危険性は低い。長期あるいは曝露は皮膚炎に結びつくおそれあり。合理的に実行可能な場合石鹼と水で肌を徹底的に洗浄すること。極度に汚染された衣類は脱いで皮膚を洗浄する。

誤飲:

偶然に低用量呑み込んだ場合害を引き起こす可能性は低い。大量強引は吐き気と下痢を引き起こすおそれあり。経口汚染が生じた場合は、水で徹底的に洗い流す。意図的な行為以外では、プロダクトの高容量摂取の可能性は低い。万一経口汚染が生じた場合、吐かせず医師の診察を受ける。最も近い医療センターに送ること。

目:

偶然目に接触した場合一時的刺激、充血以外の可能性は低い。まぶたを開けたまま多量の水で目を徹底的に洗う。痛みあるいは充血が解消されない場合は、医師の診察を受ける。

医師の診断:

治療は一般的に対症療法であり、症状を和らげることを目的として行われます。

注: 高圧用途:

高圧下の製品と接触したことにより皮膚に浸透した場合は、救急医療治療が必要な事態となります。怪我は最初は深刻に見えないかもしれませんが、数時間以内に組織が腫れ、変色し、広範囲の皮下壊死を伴う非常に痛みが生じます。

早急に外科的診断を受ける必要があります。組織の壊死を最小限に抑え、永久的な損傷を阻止または制限するには、創傷および皮膚下組織の広範囲な創面切除が必要となります。高圧により製品が組織平面に沿って広範囲に影響を与える可能性があることに注意してください。

廃棄処分

不活性吸収材料で流出物はすべて吸い取る。流出エリアを換気する。汚染物質を使い捨て容器に入れ、地方条例に従い廃棄する。

発火

引火点: 200°C.

乾燥、化学薬品、発泡、あるいは二酸化炭素で消火すること。自給式呼吸器のない狭小スペースに立ち入らないでください。

取り扱い

保護クリームあるいは耐油グローブを使用。

保管

地方の可燃材料条例に従うこと。

7.2 MOLYLITHIUMグリースEP 3753 - 安全データ

グリースは、単一の品目として注文できます。部品番号はサービスキットの36ページに記載されています。

救急

皮膚:

グリースは完全に耐水性のため、皮膚には承認された乳化洗浄剤を使用する。

経口摂取:

できれば30mlの1杯の牛乳と一緒に水酸化マグネシウムを飲ませる。

目:

刺激性はあるが損傷は引き起こさない。水で洗い、医師の診察を受ける。

発火

引火点: 220°C超。

非可燃性分類。

適切な消火メディア: 経験のあるオペレータが、CO₂、ハロン、または水で消火。

環境

承認されたサイトで焼却あるいはスクラップ処分。

取り扱い

保護クリームあるいは耐油グローブを使用

保管

熱や酸化剤から遠ざける。

7.3 MOLYKOTE®111グリース - 安全データ

グリースは、単一の品目として注文できます。部品番号はサービスキットの 36ページに記載されています。

救急**皮膚:**

応急手当では不要。

経口摂取:

応急手当では不要。

目:

応急手当では不要。

吸入:

応急手当では不要。

発火

引火点: 101.1°C超。(閉じたカップ)

爆発性: いいえ

適切な消火メディア: 二酸化炭素泡、乾燥パウダーあるいは細かな散水。火災に露出されたコンテナを冷やすために水を使用することができる。

環境

悪影響は想定されない。

取り扱い

一般的な換気が推奨される。目に触れないよう注意する。

保管

酸化剤の近くに保管しない。コンテナを閉め、水または湿気から遠ざけて保管する。

8. 故障診断

症状	考えられる原因	対策	ページ参照
位置決めツールが作動しない	ポンプユニットが作動しない	ポンプの電源を確認し、ポンプユニットの取扱説明書を参照してください	
	クイックカップラー10と11の障害	クイックカップラーを交換する	39
	トリガー制御ケーブル14が正しく接続されていない	ポンプと位置決めツールで制御ケーブルが正しく接続されているか点検する	34
トリガースイッチ7が機能しない	トリガースイッチ7または制御ケーブル14の損傷	トリガースイッチおよび/または制御ケーブルを交換する	39
	ポンプがローカルモードになっている	ポンプ取扱説明書を参照ください	
ポンプは作動しているが、位置決めツールが作動しない	トリガースイッチ7、制御ケーブル14またはコネクタの損傷	トリガースイッチおよび/または制御ケーブルを交換する	39
	油圧ホースが接続されていない	ポンプと位置決めツールで正しく接続されているか点検する	34
	オイルレベルが低い	位置決めツールが充填されており、オイルで正しくプライミングされていることを確認する ポンプ取扱説明書を参照ください	34
	位置決めツールの外部オイル漏れ	位置決めツールを点検する – 摩滅または損傷したコンポーネントを交換する	37 - 39
	ホースアセンブリーの外部オイル漏れ	ホースアセンブリーを点検する – ホース接続が気密に締め付けられていることを点検し、損傷しているホースコネクタを交換する	39
位置決めツールの動作が不安定	ポンプの内部/外部オイル漏れ	ポンプ取扱説明書を参照ください	
	油圧供給が低いまたは不安定	ポンプ取扱説明書を参照ください	
	位置決めツールの油圧シールの摩滅または損傷	位置決めツールを点検する – 摩滅または損傷したシールを交換する	37 - 39
	位置決めツールの油圧シール表面の摩滅または損傷	位置決めツールを点検する – 摩滅または損傷したコンポーネントを交換する	37 - 39
ポンプが全圧力をかけているにも関わらず、ピンテールが折れない	ポンプの内部/外部オイル漏れ	ポンプ取扱説明書を参照ください	
	全圧力の位置決めツール容量よりも高い破損荷重	位置決めツール仕様を参照ください	31
	位置決めツール側の流動が阻止されている	クイックカップラー10と11の完全係合状態および/または故障の点検	34
	ポンプ圧力逃し弁の設定が低すぎる	圧力逃し弁の設定を調整する – ポンプ取扱説明書を参照ください	
	締め付け具の引込み溝のピンテールが剥がれている	46ページの症状を参照ください	35
	不適切なツール動作		35

症状	考えられる原因	対策	ページ参照
位置決めツールのピストン1が戻らない	戻り流動が制限されているか、詰まっている	クイックカップラー 10 と 11 の完全係合状態および/または故障の点検	34
	油圧ホースが接続されていない	ポンプと位置決めツールで正しく接続されているか点検する	34
	ポンプバルブの誤作動	ポンプ取扱説明書を参照ください	
位置決めツールがアンビルからカラーを吐出しない	ポンプリターンタイマーの設定が正しくない-設定が低すぎる	リターンタイマーを推奨設定に調整する - ポンプ取扱説明書を参照ください	
	ポンプ戻り圧力逃し弁の設定が低すぎる	戻り圧力逃し弁の設定を調整する - ポンプ取扱説明書を参照ください	
	油圧供給が低いまたは不安定	ポンプ取扱説明書を参照ください	
	位置決めツールの油圧シールの摩滅または損傷	位置決めツールを点検する - 摩滅または損傷したシールを交換する	37 - 39
取付時に締付け具の引込み溝のピンテールが剥がれている	位置決めツールの油圧シール表面の摩滅または損傷	位置決めツールを点検する - 摩滅または損傷したコンポーネントを交換する	37 - 39
	ポンプの内部/外部オイル漏れ	ポンプ取扱説明書を参照ください	
	ツールを操作する前に、オペレーターがノーズを締付け具ピンテールに完全に押し付けていない	正しい取り付け方法をオペレーターに指示する	35
Avdelok® または Avbolt® カラーが完全に狭圧されていないピンテールがノーズ機器から解放されない	不適切な締付け具長さ/グリッブ長さ ジョーセグメントの摩耗または損傷	正しい締付け具を使用する ジョーセットを点検し、交換する - ノーズ装置データシートを参照する	35
	ジョーセグメントおよび/またはピンテール溝の破片	ジョーセグメントを清掃する - ノーズ装置データシートを参照する	
	過剰なシートギャップ	シート間のギャップを閉じる	35
位置決めツールおよび作動油が高温になる	不適切なツール動作		35
	アンビルボアの摩耗	アンビルを点検し、交換する - ノーズ装置データシートを参照する	
	ノーズ装置の不適切な取付け	ノーズ装置データシートを参照する	
油圧クイックカップラー 10 と 11 のオイル漏れ	油圧ラインの制限	油圧クイックカップラー 10 と 11 を点検し、必要に応じて交換する	39
	周囲温度が高い		
	クイックカップラー - 雄型 10 のボディのOリングの摩耗	クイックカップラー 10 のOリングとバックアップリングを交換する	39

太文字で表記されているすべての番号については、40、41、42ページの総組立図と部品表を参照ください。

* 36ページのサービスキット。

9. EC 法令順守の宣言

当社、Stanley Engineered Fastening (Stanley House, Works Road, Letchworth Garden City, Hertfordshire, SG6 1JY UNITED KINGDOM) は、本製品が以下のものであることを全責任において宣言します。

説明: **AV15油空圧パワーツール**

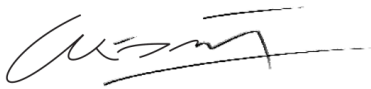
型式: **AV15構造ツール – 73432-02000**

本宣言が本製品に関係するのは製品が以下の対応する規格に準拠しているためです。

ISO 12100:2010	EN ISO 3744:2010
EN ISO 11202:2010	EN ISO 11148-1:2011
EN ISO 4413:2010	EN ISO 20643:2008+A1:2012
EN ISO 4414:2010	ES100118-rev 17:2017
EN ISO 28927-5:2009+A1:2015	

技術文書は以下の指令に対応する付録 1 のセクション 1.7.4.1 に合わせて編集されています。2006/42/EC機械指令 (法定機器2008 No 1597-機械の供給 (安全) 規制が参照)。

署名者は、STANLEY Engineered Fasteningに代わってこの宣言を行います



A. K. Seewraj

エンジニアリングディレクター、英国

Avdel UK Limited, Stanley House, Works Road, Letchworth Garden City, Hertfordshire, SG6 1JY UNITED KINGDOM

発行場所: **Letchworth Garden City, 英国**

発行年月日: **12-12-2011**

署名者は、欧州連合で販売されている製品の技術ファイルの編集に責任があり、Stanley Engineered Fasteningに代わってこの宣言を行います。

Matthias Appel

チームリーダー技術文書

Stanley Engineered Fastening, Tucker GmbH, Max-Eyth-Str.1
35394 Gießen, ドイツ



本機は以下の規格に適合しています
機械指令2006/42/EC

10.英国の適合宣言

当社、Stanley Engineered Fastening (Stanley House, Works Road, Letchworth Garden City, Hertfordshire, SG6 1JY UNITED KINGDOM) は、本製品が以下のものであることを全責任において宣言します。

説明: **AV15油空圧パワーツール**

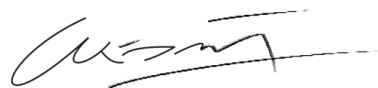
型式: **AV15構造ツール – 73432-02000**

本宣言が本製品に関係するのは製品が以下の対応する規格に準拠しているためです。

ISO 12100:2010	EN ISO 3744:2010
EN ISO 11202:2010	EN ISO 11148-1:2011
EN ISO 4413:2010	EN ISO 20643:2008+A1:2012
EN ISO 4414:2010	ES100118-rev 17:2017
EN ISO 28927-5:2009+A1:2015	

技術文書は、機械の供給 (安全) 規制 2008、S.I. 2008/1597 (修正済み) に従って編集されています。

署名者は、STANLEY Engineered Fasteningに代わってこの宣言を行います



A. K. Seewraj

エンジニアリングディレクター、英国

Avdel UK Limited, Stanley House, Works Road, Letchworth Garden City, Hertfordshire, SG6 1JY UNITED KINGDOM

発行場所: **Letchworth Garden City, 英国**

発行年月日: **12-12-2011**



本機は以下の規格に適合しています
機械の供給 (安全) 規制 2008、
S.I. 2008/1597 (修正済み)

11. 投資の保護

Stanley® Engineered Fastening ブラインドリベット・ ツール保証

STANLEY® Engineered Fastening は、全電動ツールが注意深く製造されていること、材料および製造品は 1 年間の通常の使用および保守の下で欠陥が発生しないことを保証します。

本保証は、オリジナルな使用のみを目的としたツールの最初のご購入に対して適用します。

免責条項:

通常の摩耗および亀裂

定期的な保守、修理および通常の摩耗、亀裂による部品の交換は適用対象から除外されます。

不正使用 & 誤使用

物理的な損傷など、不適切な操作、保存、誤使用または不正使用、事故または不注意による欠陥または損傷は適用対象から除外されます。

未承認のサービスまたは改造

STANLEY® Engineered Fastening または承認されたサービスセンター以外の者によって行われた保守、テスト調整、取付け、保守、変更または改造による欠陥または損傷は、いかなる方法によるものであっても適用対象から除外されます。

その他すべての保証は、表記されたものまたは暗示されたものであっても、市場性または目的適合性のいかなる保証も含めてここに除外されます。

もし本機が保証を満たさない場合は、速やかに本機を工場が承認した最寄りのサービスセンターに返送してください。米国またはカナダの STANLEY® Engineered Fastening Authorized 公式サービスセンターの一覧については、無料ダイヤル番号 (877)364 2781 でご相談ください。

米国 および カナダ以外の地域については、当社のウェブサイト www.StanleyEngineeredFastening.com より、最寄りの STANLEY 締付け工具代理店を検索ください。

STANLEY Engineered Fastening は、欠陥のある材料または製造品により不良となったと当社が認めた部品またはいくつかの部品についてはどんなものでも無料で交換し、先払いで本機を返送します。このことは本保証の下での当社の唯一の義務であることを示しています。

本機の購入または使用以外のところで発生する重大なまたは特別な損傷に対して、STANLEY Engineered Fastening は何らの責任を負うものではありません。

ブラインドドリベットナット ツール のオンライン登録

<https://www.stanleyengineeredfastening.com/support/warranty-registration-form> からオンライン保証登録を行ってください。

STANLEY® Engineered Fastening の Stanley Assembly Technologies ブランド ツールをお選び頂きありがとうございます。

©2019 STANLEY Black & Decker

版权所有。本手册仅为英文版的中文译本，仅供参考，最终以英文版为准。

未经史丹利工程紧固系统公司（史丹利百得旗下子公司）的事先明确书面允许，禁止以任何方式以及通过任何电子或机械手段复制和/或公开所提供的信息。本手册提供的信息基于本产品推出时所了解的资料。史丹利工程紧固系统公司致力于不断改进产品，因此公司产品可能随时发生变更。本手册中所提供的信息适用于史丹利工程紧固系统公司交付的产品。因此，史丹利工程紧固系统公司不会对由于与产品出厂技术参数偏差而产生的任何损坏承担责任。

可利用的信息经过精心编辑。但是，史丹利工程紧固系统公司不会对信息错误或因此导致的结果承担任何责任。史丹利工程紧固系统公司不会对由于第三方的行为而导致的损坏承担任何责任。根据注册商标保护法的规定，史丹利工程紧固系统公司使用的机构名称、商标名称、注册商标等资产均不可视为免费。

目录

1. 安全说明	52
1.1 通用安全规定	52
1.2 抛射危害	52
1.3 操作危害	53
1.4 重复性运动危害	53
1.5 附件危害	53
1.6 工作场所危害	53
1.7 噪音危害	53
1.8 振动危害	53
1.9 液压工具附加安全说明	54
2. 规格	55
2.1 用途	55
2.2 工具规格	55
2.3 工具尺寸	56
3. 投入使用	57
3.1 工作原理	57
3.2 使用准备	58
4. 操作说明	59
4.1 安装 AVBOLT® 紧固件	59
4.2 安装 AVDELOK® XT 紧固件	59
5. 拉帽枪维护	60
5.1 日常维护	60
5.2 每周维护	60
5.3 年度检修 / 250K 次运行检修	60
5.4 维护套件	60
5.5 维护工具	60
5.6 液压油	60
5.7 拆卸说明	61
5.8 环保	63
6. 常规部件和部件清单	64
6.1 常规组装	64
6.2 部件清单	66
7. 安全数据	67
7.1 ENERPACE® HF 液压油 - 安全数据	67
7.2 二硫化铝锂基脂 EP 3753 - 安全数据	67
7.3 MOLYKOTE® 111 润滑脂 - 安全数据	68
8. 故障诊断	69
9. 欧盟符合性声明	71
10. 英国符合性声明	72
11. 保护你的投资！	73



安装或操作该工具人员必须仔细阅读该《使用手册》，尤其特别注意遵循以下安全警告和说明。



在操作工具期间，请始终佩戴防冲击护目镜。每次使用都应评估所需的防护等级。



使用此工具可能会使操作员的手遭受挤压、撞击、割伤、擦伤和高温等危险。佩戴合适的手套以保护手。



根据员工指示以及职业健康与安全法规的要求使用听力保护装置。

1. 安全说明

以下定义对每种警示词的严重性进行了描述。请阅读本手册，并注意以下标志。



危险：表示紧急的危险情况。若不可避免，可能会导致人员死亡或严重受伤。



警告：表示可能的危险情况。若不可避免，有可能导致人员死亡或严重受伤。



注意：表示可能的危险情况。若不可避免，可能会导致人员轻度或中度受伤。



注意：无安全警示标志，表示潜在的危险情况。若不可避免，可能会导致财产损失。

对本产品操作或维护不当可能会导致人员严重受伤或者财产损失。

在使用本设备之前，阅读并理解所有的警示和操作说明。使用电动工具时，务必遵循基本的安全注意事项，以降低人员受伤的风险。

保存所有警告和说明供未来参考。

1.1 通用安全规定

- 对于多种危险，请在安装、操作、维修、保养、更换配件或在工具附近作业之前，阅读并理解安全说明。未做到这一点可能会导致严重的身体伤害。
- 只有具备资格并经过培训的操作人员才能安装、整或使用拉帽枪。
- 切勿使用史丹利工程紧固系统公司拉帽枪进行设计之外的用途。
- 仅可使用制造商推荐的零件、紧固件和配件。
- 切勿对拉帽枪进行改装。修改会降低安全措施的有效性，并增加操作员的风险。对于由客户对拉帽枪进行的任何改装所导致的后果，客户完全承担责任，所有适用的保修均无效。
- 不要丢弃安全说明，将它们交给使用方。
- 如果损毁请勿使用拉帽枪。
- 在使用之前，检查转动部件是否存在失调或者是否固定妥当、部件是否损坏以及可能影响拉帽枪使用的任何其他状况。若有损坏，在使用之前对拉帽枪进行维修。在使用之前，移除所有的调节键或扳手。
- 应当定期检查工具，以确保在工具上清楚地标出了ISO 11148 要求的额定值和标记。必要时，雇主/用户应联系制造商以获得更换标记标签。
- 该拉帽枪必须始终由经过培训的人员在安全的工作状况下进行维护以及定期对损坏状况进行检查。所有的拆卸工作必须只能由经过培训的人员进行。切勿未在事先参照维护说明的情况下拆卸本工具。

1.2 抛射危害

- 进行维护、尝试调整、匹配或移除枪嘴装置或附件之前，将工具与液压泵断开。
- 请注意，工件或附件甚至插入的工具本身的故障都可能产生高速弹射。
- 在操作工具期间，请始终佩戴防冲击护目镜。每次使用都应评估所需的防护等级。
- 此时也应评估对他人的风险。
- 确保工件牢固固定。
- 检查防止紧固件和/或心轴弹出的保护措施是否到位并且有效。
- 警告不要强行从工具正面弹出心轴。
- 切勿操作时将拉帽枪对着任何人。

1.3 操作危害

- 使用此工具可能会使操作员的手遭受挤压、撞击、割伤、擦伤和高温等危险。佩戴合适的手套以保护手。
- 操作人员和维护人员应能够在身体上处理工具的主体、重量和动力。
- 正确握住工具，准备承受正常或突然的运动，并准备好双手。
- 保持拉帽枪的手柄干燥、清洁，无油污或油脂。
- 操作拉帽枪时应保持身体平衡、双脚站稳。
- 液压供应中断时，松开起停装置。
- 仅使用制造商推荐的润滑剂。
- 避免接触液压油。为避免皮疹，可在接触时彻底冲洗。
- 所有液压油和润滑剂的物料安全数据表，可向拉帽枪供应商索取。
- 避免不合适的姿势，因为这些姿势可能无法承受工具的正常或意外运动。
- 如果拉帽枪固定在悬挂装置上，请确保固定牢固。
- 如果未安装枪嘴装置，请当心挤压或夹伤危险。
- 切勿在枪嘴罩拿开的情况下操作拉帽枪。
- 在开始操作之前，操作者的双手之间要保持足够的间隙以避免误操作。
- 在将拉帽枪从一处移至另外一处时，将手置于远离开关的位置，避免意外触发。
- 切勿随意将拉帽枪掉落或用作锤子。
- 务必小心，保证心轴不会造成危险。

1.4 重复性运动危害

- 使用工具时，操作员可能会感到手、手臂、肩膀、脖子或身体其他部位不适。
- 使用工具时，操作员应采取舒适的姿势，同时保持双足稳定，并避免尴尬或不平衡的姿势。作业任务较长时，操作员应变换姿势，有助于避免不适合疲劳。
- 如果操作员感觉到持续或反复出现不适、疼痛、脉动、隐痛、刺痛、麻木、灼热感或僵硬等症状，则不应忽略这些警告信号。使用方应告知员工并咨询具备资质的健康专业人士。

1.5 附件危害

- 安装或卸下枪嘴组件或附件之前，先将工具从液压源和电源上断开。
- 只能使用制造商推荐规格和型号的附件与耗材，不得使用其它类型或规格的附件或耗材。

1.6 工作场所危害

- 滑倒、绊倒和跌倒是造成工作场所伤害的主要原因。请注意因使用工具而导致的光滑表面，以及因空气管线或液压软管而引起的绊倒危险。
- 在陌生环境中请小心处理。可能存在隐患，例如电力或其他公用设施线。
- 该工具不适用于有爆炸危险的环境，而且不能与电源绝缘。
- 确保电缆、煤气管等没有损毁，否则会在使用时产生危险。
- 穿戴应妥当。切勿穿着宽松的衣服或佩戴首饰。将头发、衣服和手套整理妥当，远离转动部件。宽松的衣服、首饰或者长头发可能会被卷入转动部件中。
- 务必小心，保证心轴不会造成危险。

1.7 噪音危害

- 暴露于高噪声水平可能会导致永久性失聪和其他问题，例如耳鸣（嗡嗡声、蜂鸣声、吹口哨声）。因此，风险评估和对这些危害采取适当的控制措施至关重要。
- 降低风险的适当控制措施可能包括采取诸如阻尼材料之类的措施，以防止工件“嗡嗡作响”。
- 根据员工指示以及职业健康与安全法规的要求使用听力保护装置。
- 请按照说明手册中的建议操作和维护该工具，防止噪音不必要增加。

1.8 振动危害

- 置于振动环境会导致对手和手臂的神经和供血造成严重的损害。
- 在寒冷条件下工作时，请穿保暖服，并保持手部暖和干燥。
- 如果手指或手掌麻木、刺痛、疼痛或皮肤变白，请停止使用工具，告诉雇主并咨询医生。
- 尽可能在支架、张紧器或平衡器中支撑工具的重量，因为可以使用较轻的手柄来支撑工具。

1.9 液压工具附加安全说明

- 液压源不得超过 550 bar (8000 PSI)。
- 存在压力的润滑油可能造成重伤。
- 请勿以低于700 bar (10,000 PSI)的工作压力、2.73 l/min (200 in 3/min)的流速安装液压软管。
- 切勿将拉帽枪置于无人看管的状态。工具未使用、更换配件或进行维修时，将液压软管和电缆与泵单元断开。
- 接出管可能造成重伤。务必检查软管和配件是否损坏或松动。
- 使用前，检查液压软管的损坏情况，所有液压连接必须干净、充分卡入且密闭才能运行。切勿将重物掉落在空气软管上。尖锐的碰撞可能会导致内部损坏，从而引起空气软管过早毁损。
- 无论何时使用通用扭力联轴器（爪形联轴器），均应安装锁定销，并应使用鞭打式安全电缆来防止可能的软管与工具或软管与软管的连接故障。
- 切勿通过空气软管或电缆提起拉帽枪。（操作或移动拉帽枪时）务必始终紧握手柄。
- 请勿使用软管拉动或移动液压泵。务必使用泵单元手柄或防滚架。
- 避免灰尘或异物进入拉帽枪的液压系统，以免导致拉帽枪发生故障。
- 只能使用洁净的润滑油和注入设备。
- 只能使用建议的液压油。
- 动力单元需要空气自由流动以进行冷却，因此要放置在充分通风且无有害烟雾的区域。
- 进口液压液的最大温度为 110°C (230°F)。

史丹利工程紧固系统公司致力于持续开发和改进产品，有权随时更改产品规格，恕不提前通知。

2. 规格

2.1 用途

AV™ 15 安装工具主要是活塞和气缸组件。如果采用液压或电气方式连接至兼容的液压源且附加相关枪嘴组件时，随后它用于在工业环境中安装 1/2" Avdelok® XT 和 1/2" Avbolt®。

拉帽枪和液压泵单元只能根据安装 Stanley Engineered Fastening 结构性铆钉的操作说明书进行使用。

有关适用的紧固件和相关枪嘴组件列表，请参阅下表。
请参阅表中列出的数据表，以获得相关枪嘴组件安装说明。

请勿在潮湿环境下或有可燃液体或气体的条件下使用。

紧固件		枪嘴组件			枪嘴组件数据表
类型	规格	零件号	尺寸'A'	尺寸'B'	零件号
AVBOLT®	1/2"	73432-03100	108 mm	43 mm	07900-00905
		73433-03100*	108 mm	43 mm	07900-00905
AVDELOK® XT	1/2"	73432-03200	107 mm	43 mm	07900-00919
		73433-03200*	107 mm	43 mm	07900-00919

*配有夹头释放装置的枪嘴组件

有关枪嘴组件尺寸 'A' 和 'B' 标识的信息，请参阅页面 56 上的图示。

务必始终遵循安全说明。

2.2 工具规格

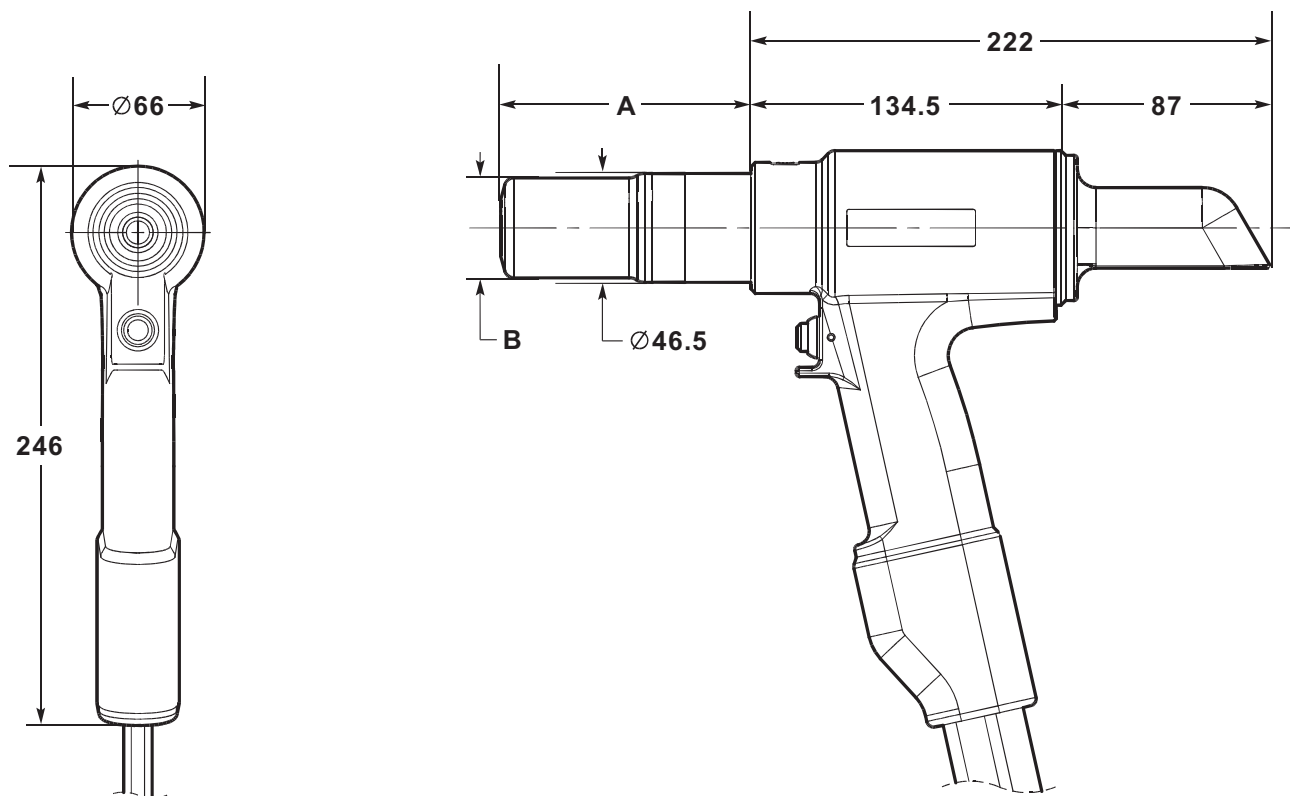
技术参数		公制	英制
力：	采用规定拉力拉动	80.0kN	17984.7 lbf
	采用额定回退压力下推离	37.0kN	8317.9 lbf
压力：	拉动	510 bar	7397 PSI
	回退	200 bar	2901 PSI
冲程：	活塞冲程	32.0 mm	1.26 in
重量：	不含枪嘴装置	4.5 kg	9.9 lb
液压油：	Enerpac® 液压油 - HF-95X		
产品系列：	Avbolt®	12.7 mm	1/2 in
	Avdelok® XT	12.7 mm	1/2 in
其他特点：	杆排出 - 前或后	后	
	密封布局	双唇和刮擦器密封	
	液压支承环	有 - 前后	
	保护手柄 / 鳄式软管	有	
	软管保护罩	有	
	软管/ 电缆止动夹	有	

噪声值根据噪声测试标准 ISO 15744 和 ISO 3744 进行。		AV15
A 加权声功率级, L_{WA}	不确定噪声: $k_{WA} = 3.0 \text{ dB(A)}$	93.6 dB(A)
工作场所 A 加权声压等级 dB(A)、 L_{pA}	不确定噪声: $k_{pA} = 3.0 \text{ dB(A)}$	82.6 dB(A)
C 加权声压等级 dB(C), L_{pC} , 峰值	不确定噪声: $k_{pC} = 3.0 \text{ dB(C)}$	126.2 dB(C)

振动值根据振动测试规定 ISO 20643 和 ISO 5349 确定。		AV15
振动发射级别, a_{hd} :	不确定的振动: $k = 0.44 \text{ m/s}^2$	0.872 m/s^2

声明的振动发射值符合 EN 12096

2.3 工具尺寸



所有尺寸都以毫米为单位。

有关枪嘴组件尺寸 'A' 和 'B' 的信息, 请参阅页面 55 上的表格。

工具配有两根液压软管和一根电源控制电缆, 长度为 0.6 米。额外的延长液压软管和电缆长度可根据需要单独订购。有关可用软管长度和相关部分编号, 请参阅下表。

液压软管组件	
零件号	软管长度
07008-00448	5 米
07008-00449	10 米
07008-00450	15 米

3. 投入使用

3.1 工作原理

重要提示 - 投入使用前请阅读第 52 - 54 页上的安全规则和泵单元使用手册。

软管和控制电缆连接至于 Avdel® / Enerpac® 液压泵单元时，拉帽枪的拉动和回退循环可通过按下和松开手柄上的扳机进行控制。

如果按下开关，液压泵中的电磁阀通电并将活塞拉动侧的加压油引导至拉帽枪。这也允许拉帽枪回退侧中的油回到储罐中。

拉动循环期间，活塞/筒夹组件移向拉帽枪后部，使 O 形圈式缓冲垫能够向前推动随动器和夹头。如果紧固件销钉已安装在枪嘴组件中，夹头套件将夹在销尾上并进行安装。

对于 Avbolt® 和 Avdelok® XT，安装循环首先夹紧待固定的接头，随后在铁砧继续前移时，凸缘被挤压至销钉的锁槽中。挤压循环结束后，铁砧将接触到接头，并随着运动的继续切断销尾。

销断后立即松开扳机开关。松开扳机开关将导致电磁阀断电并转换加压油的流动方向。

如果扳机未松开，拉帽枪活塞将继续移向工具的后部，直至达到冲程端。然后，拉动侧的压力将增加，直到泵达到预设的“高压”值。此时，电磁阀将自动断电并转换加压油的流动方向至拉帽枪的回退侧。

无论哪种情况，加压油都会流入拉帽枪的回退侧，拉动侧的油将回流至储罐。

活塞/筒夹的前进运动将从铁砧中推出已安装的紧固件。

松开扳机或达到“高压”值时，电磁阀将断电并启用预设的‘Return Timer’。这可以控制泵电机在切换到怠速模式之前继续运行的时间。计时器可手动设置在 5 到 20 秒之间，以确保拉帽枪活塞始终完全返回到前方位置（参阅泵手册 07900-01030，第 10 和 13 页）。

活塞返回到完全向前的位置时，压力将增加至预设低压值 - c200bar。泵电机将继续运行，直到回退计时器到期。在此时间段后，电机将自动停止，阀门将切换到怠速位置。然后，电磁阀将自动循环，将加压油从拉帽枪的拉动和回退侧返回到储罐。

这使安装工具保持在前进位置。此时液压系统不会存在任何压力。

压下工具的扳机开关时，液压泵单元自动启动。

3.2 使用准备

注意 - 正确的拉力和返回压力对于安装工具的正确功能非常重要。当压力不合适时，可能会导致人员受伤或拉帽枪损坏。液压泵单元提供的拉动和回退压力不得超过拉帽枪数据参数中列出的压力。

重要提示 – 投入使用拉帽枪和液压软管套件前：

确保已经按照泵手册和拉帽枪和软管规定的最大压力设定了泵压力释放阀。

确保软管套件按照泵使用手册 07900-01030 中的程序用液压油进行准备。

- 确保液压泵单元电源已断开。
- 连接控制电缆之前，将拉帽枪液压软管快速连接器直接连接到泵单元。软管和控制电缆必须按此顺序连接，并按相反顺序断开。
- 接通液压泵单元的电源。等待 5 秒泵单元完成启动，然后按下扳机开关。所有设置完毕时，泵单元的 LCD 屏将显示“AVDEL”。
- 启动期间，泵控制系统将任何扳机操作识别为潜在故障，并阻止电机启动。在这种情况下，LCD 屏幕将显示“BUTTON FAULT”。通过关闭电源 10 秒进行重置。
- 确保拉帽枪位于泵储罐下方。压下并松开扳机开关数次，使拉帽枪全行程运动，借此循环液压油，将任何空气从工具中排出。
- 注意拉帽枪的操作。检查液体是否泄漏并确保在怠速模式中活塞处于完全向前位置。拉帽枪现在准备就绪。
- 断开液压泵单元的电源，随后按照与上述步骤相反的顺序将拉帽枪与泵单元断开。
- 现在将拉帽枪连接到准备好的液压软管套件和控制电缆。然后将液压软管套件快速连接器和控制电缆连接至泵单元。
- 根据相关枪嘴组件数据表中的说明，将枪嘴组件连接至拉帽枪。
- 按照上述内容接通液压泵的电源。
- 压下并松开扳机开关数次，使拉帽枪全行程运动，借此循环液压油。
- 拉帽枪准备妥当，可以随时使用。

4. 操作说明

4.1 安装 AVBOLT® 紧固件

- 检查工作并消除过大的间隙。（间隙是接头组件之间的距离。如果销尾未充分穿过枪嘴组件夹头进行抓取，则间隙过大）。
- 将 Avbolt® 紧固件置于孔中。
- 将枪嘴压至销钉上，直至枪嘴铁砧停止凸缘位置。拉帽枪和枪嘴组件必须呈直角（90°）以进行工作。
- 按下拉帽枪扳机开关以开始安装。
- 枪嘴铁砧的前进运动停止且销尾折断时，松开扳机。拉帽枪将进入回退冲程并推出已安装的紧固件。回退行程结束时，夹头部分松开延长销尾，延长销尾可随着下一安装通过夹头推入并随后通过拉帽枪尾部排出。
- 安装好的紧固件被弹出后，拉帽枪和枪嘴就绪进行下次安装。

4.2 安装 AVDELOK® XT 紧固件

- 检查工作并消除过大的间隙。（间隙是接头组件之间的距离。如果销尾未充分穿过枪嘴组件夹头进行抓取，则间隙过大）。
- 将 Avdelok® XT 紧固件置于孔中。
- 将 Avdelok® XT 凸缘滑过销钉。（凸缘的斜端必须朝向枪嘴和拉帽枪。）
- 将枪嘴压至销钉上，直至枪嘴铁砧停止凸缘位置。拉帽枪和枪嘴组件必须呈直角（90°）以进行工作。
- 按下拉帽枪扳机开关以开始安装。
- 枪嘴铁砧的前进运动停止且销尾折断时，松开扳机。拉帽枪将进入回退冲程并推出已安装的紧固件。回退行程结束时，夹头部分松开延长销尾，延长销尾可随着下一安装通过夹头推入并随后通过拉帽枪尾部排出。
- 安装好的紧固件被弹出后，拉帽枪和枪嘴就绪进行下次安装。

注意 - 请勿折断未安装凸缘的销尾，因为这将导致 AVDELOK® 或 AVBOLT® 销尾的未固定部分在高速大力条件下从枪嘴中弹出。

5. 拉帽枪维护

重要提示 - 阅读第 52 - 54 页上的安全说明。雇主负责确保向适当的人员提供工具维护说明。除非经过适当培训，否则操作员不应参与工具的维护或维修。定期检查工具，以防止损毁和故障。

5.1 日常维护

- 检查拉帽枪、软管和快速连接器是否漏油。
- 磨损或损毁的软管和连接器必须更换。
- 检查拉帽枪的冲程是否符合要求。
- 检查杆偏转器已安装。
- 检查泵拉动/进给压力释放阀是否功能正常。
- 通过已装凸缘上的标记检查铁砧是否磨损。这也可以通过查阅紧固件目录中的已安装数据来确认。磨损过大会导致铁砧断裂。

5.2 每周维护

- 按照相关枪嘴组件数据表所述，拆下并清洁枪嘴组件，特别是夹头。
- 检查拉帽枪、软管和快速连接器是否漏油

注意- 禁止使用溶剂或其他刺激性化学品清洁拉帽枪的非金属部件。这些化学品可能会降低这些部件中所使用材质的性能。

5.3 年度检修 / 250K 次运行检修

- 每 250,000 个周期，应完全拆卸工具，并在磨损、损坏或建议的情况下使用新组件。所有 O 形圈、备件环和密封件在组装前应用 MolyKote® 111 润滑脂润滑。

5.4 维护套件

为了进行完整的维护，提供了下列维护套件：

维护套件：73432-99990			
零件号	说明	零件号	说明
07005-10118	快速连接器 - 公	07900-00966	AV15 活塞导套
07005-10120	快速连接器 - 母	07900-00967	AV15 端盖安装工具
07900-00961	AV15 活塞弹头 - 前	07992-00020	润滑脂 - MolyLithium EP3753
07900-00962	AV15 活塞弹头 - 后	07900-00755	润滑脂 - Molykote® 111
07900-00965	AV15 前密封套导杆	07900-00756	Loctite® 243 固定剂

5.5 维护工具

另外还需要下列标准工具：

- 内六角扳手：2.0 / 3.0 mm
- 开口平扳手：12 / 14 / 18 / 24 / 45 mm A/F
- PTFE 带：10 mm
- 配有护套的虎钳 - 150 mm

5.6 液压油

注意 - 只能使用 Enerpac® HF 液压油 - 使用任何其他油剂都可能导致拉帽枪和泵出现故障，并使拉帽枪保修无效。

液压油可使用以下部分编号订购。

液压油			
零件号	07992-00081	07992-00082	07992-00083
Enerpac® 部件编号	HF-95X	HF-95Y	HF-95T
容积	1 升	5 升	20 升
粘度	32 mm ² /s	32 mm ² /s	32 mm ² /s

5.7 拆卸说明

重要提示 – 确保取下枪嘴或拆卸拉帽枪前，液压泵电源已断开。

拆卸前：

- 解开拉帽枪和液压软管之间的快速连接器 **10** 和 **11** 以及控制电缆 **14**。
- 根据相关枪嘴组件数据表中的说明，将枪嘴组件从拉帽枪中取下。
- 由于工作流程而可能沉积在机器上的危险物质，必须在维护前清除。

对于完整的检修，建议按照第 61 至 63 页上显示的步骤拆卸。拆卸拉帽枪后，建议更换所有密封。

头部活塞组件：

- 使用小号一字螺丝刀，将销钉 **41** 从夹头适配器 **40** 中取下并丢弃。
- 将夹头适配器 **40** 从活塞 **1** 中拧下并取下。
- 将偏转器 **3** 从端盖 **17** 中取下。
- 使用软夹头夹紧手柄，使拉帽枪向下指。将*端盖安装工具上的接合销插入端盖 **17** 的三只孔眼中。
- 使用 24 mm A/F 扳手，将端盖 **17** 拧下从枪体 **2** 中取下。
- 使用小号一字螺丝刀，将 O 形圈 **21** 从端盖 **17** 中取下并丢弃。
- 将备用*快速连接器 - 公连接至液压软管 - 回退 **18** 的快速连接器 - 母 **11** 上。这将释放活塞 **1** 回退侧的任何压力并有助于方便取下后密封套 **16**。
- 将三只 M4 螺丝插入后密封套 **16** 中，然后使用它们将部件与活塞 **1** 后杆脱离，并拉出枪体 **2**。
- 使用小号一字螺丝刀或类似工具，将 O 形圈 **30** 和螺旋挡圈 **36** 从后密封套 **16** 的外槽中取下并丢弃。取下密封件时，注意不要用螺丝刀损坏后密封套表面。
- 将活塞杆密封 **28** 和刮擦器密封 **31** 从后密封套 **16** 的内槽中取下并丢弃。取下密封件时，注意不要用螺丝刀损坏后密封套表面。
- 取下后支承环 **29** 并检查部件是否磨损或损毁。根据需要丢弃。
- 取下拉帽枪并清空后部的液压油。将备用*快速连接器 - 公从快速连接器 - 母 **11** 中取下。
- 将备用*快速连接器 - 母连接至液压软管 - 拉动 **19** 的快速连接器 - 公 **10** 上。这将释放活塞 **1** 拉动侧的任何压力并有助于方便取下活塞。
- 将*前活塞弹头拧至活塞 **1** 的前部。
- 放置枪体 **2** 枪嘴至工作台上。然后使用软锤将活塞 **1** 敲向枪体的后部，并敲出后端，注意不要损坏枪体内的孔眼。
- 注意：取下活塞 **1** 时，活塞拉动侧中的机油将从枪体 **2** 前后漏出。
- 取下活塞 **1** 时，前密封套 **15** 可能留在活塞杆上。如果是这种情况，拧下*前活塞弹头并将前密封套从活塞上取下。
- 使用小号一字螺丝刀将活塞密封 **26** 和两只防挤出环 **27** 从活塞 **1** 的外槽中取出并丢弃。取下密封件时，注意不要用螺丝刀损坏活塞 **1** 表面。
- 如果前密封套 **15** 仍留在枪体 **2** 中，将枪体向上置于工作台上，随后从前方按前密封套，将其从枪体凹槽中脱离。前密封套随后可从枪体的后端取下。进行操作时注意不要损坏枪体中的孔眼。
- 使用小号一字螺丝刀将 O 形圈 **23** 和螺旋挡圈 **34** 从前密封套 **15** 的外槽中取下并丢弃。取下密封件时，注意不要用螺丝刀损坏前密封套表面。
- 将活塞杆密封 **25** 和刮擦器密封 **22** 从前密封套 **15** 的内槽中取下并丢弃。取下密封件时，注意不要用螺丝刀损坏前密封套表面。
- 取下前支承环 **24** 并检查部件是否磨损或损毁。根据需要丢弃。

所有粗体编号参见第 64、65 和 66 页上的常规安装和部件列表。

*检修套件在页面 60。

- 使用小号一字螺丝刀，将 O 形圈**21** 从枪体**2** 中取下并丢弃。
- 将备用*快速连接器 - 母连接从液压软管 - 拉动**19**的快速连接器 - 公**10** 中取下。
- 请勿将固定螺丝**42** 从枪体 **2**中取下。

按照与拆卸相反的顺序进行组装并注意下列几点：

- 组装前清洁所有组件。
- 为方便安装密封，涂抹少许 Molykote® 111 润滑脂至所有密封、密封槽、止动环和安装工具上。
- 将 O 形圈 **23** 滑至前密封套**15** 和外槽中。将螺旋挡圈 **34** 插入已安装 O 形圈前方的相同槽中。请参阅常规安装以确保 O 形圈和螺旋挡圈方向正确。
- 将前支承环 **24** 压入前密封套**15** 的内凹槽中，随后安装活塞杆密封 **25** 至前密封套后方。将刮擦器密封 **22** 安装至前密封套的前凹槽中。请参阅常规安装以确保活塞杆密封和刮擦器密封方向正确。
- 使用 Molykote® 111 润滑脂润滑安装前密封套 **15** 的枪体**2** 孔的表面和前缘。
- 润滑*前密封套导杆的插口，随后首先将前密封套**15**、活塞杆密封 **25** 末端放在插口上。将*前密封套导杆插入枪体 **2** 后部，随后将前密封套完全推入枪体孔中。需要合理的力将前密封套插入枪体，因此可能需要使用压机等。取下*前密封套导杆，同时保证前密封套保持不动。
- 使用 Molykote® 111 润滑脂润滑密封槽和活塞 **1** 的大外径。将活塞密封**26** 滑至活塞大径前面和密封槽中。将防挤出环 **27** 装入活塞密封任意一侧的密封槽中。
- 将*前活塞弹头拧至活塞**1**的前部。使用 Molykote® 111 润滑脂润滑*活塞弹头 - 前部、活塞杆和活塞密封**26**。
- 将*活塞导套完全拧入枪体**2**的后部。使用 Molykote® 111 润滑脂润滑枪体和*活塞导套中的孔眼。
- 将备用*快速连接器 - 母连接至液压软管 - 拉动**19**的快速连接器 - 公**10** 上。这将在插入活塞时允许从活塞**1**的拉动侧释放空气。
- 插入组装好的活塞**1**至枪体**2**尾部，并穿过组装好的前密封套**15**。将活塞推入完全前进的位置，直至停在前密封套上。液压油将从拉动液压软管 **19**中排出。
- 将备用*快速连接器 - 母连接从液压软管 - 拉动**19**的快速连接器 - 公**10** 中取下。将*活塞导套从枪体**2**中取下。
- 将 O 形圈 **30** 滑至后密封套**16** 和外槽中。将螺旋挡圈 **36** 插入已安装 O 形圈后方的相同槽中。请参阅常规安装以确保 O 形圈和螺旋挡圈方向正确。
- 将后支承环 **29** 压入后密封套**16** 的内凹槽中，随后安装活塞杆密封 **28** 至后密封套后方。将刮擦器密封 **31** 安装至后密封套的后凹槽中。请参阅常规安装以确保活塞杆密封和刮擦器密封方向正确。
- 使用软夹头夹紧手柄，使拉帽枪向下指。
- 使用 Molykote® 111 润滑脂润滑安装后密封套 **16** 的枪体**2** 孔的表面和前缘。使用 Molykote® 111 润滑脂润滑后活塞 **1** 杆。
- 将*后活塞弹头插入后活塞**1**杆中并使用 Molykote® 111 润滑。
- 使用 Enerpac® HF 液压油填充枪体 **2** 的后部。油位应刚高于枪体中的后进口孔。
- 将备用*快速连接器 - 公连接至液压软管 - 回退**18**的快速连接器 - 母**11** 上。这能够在插入后密封套**16**时，使空气能够从活塞**1**的回退侧释放。
- 将后密封套 **16** 放在*后活塞弹头上。随后将后密封套通过活塞**1**杆推入枪体**2**的后部。将后密封套推入枪体，直至枪体后面露出少许螺纹。插入后密封套时，注意不要损毁螺纹上的 O 形圈**30** 和螺旋挡圈**36**。
- 使用 MolyLithium 润滑脂润滑枪体**2** 中的内螺纹和端盖**17** 上的外螺纹。
- 使用 *端盖安装工具将端盖 **17** 完全拧入枪体**2** 的后部。通过这样的操作，后密封套**16** 将被压入枪体的活塞中，同时少量的润滑油从液压软管 - 回退 **18**中排出。
- 将备用*快速连接器 - 公从液压软管 - 回退**18**的快速连接器 - 母**11** 中取下。
- 将偏转器推至**3**端盖 **17**上。
- 将夹头适配器 **40** 拧紧至活塞 **1** 上，直至正面与活塞末端齐平。将夹头适配器孔与活塞末端的槽对齐，随后插入锁紧销 **41**。
- 根据第 58页使用准备中的说明准备拉帽枪。

软管组件：

- 使用 3.0mm 内六角扳手将两只螺丝 **9** 从软管卡箍**13** 中取下。将软管卡箍和卡箍嵌件 **20** 从保护套**37** 和液压软管 - 回退 **18** 和拉动**19**中取出。

所有粗体编号参见第 64、65 和 66页上的常规安装和部件列表。

*检修套件在页面 60。

- 使用小号一字螺丝刀，将鳄式手柄 **8** 从枪体**2**中弄出。将鳄式手柄拉过保护套 **37**、液压软管-回退**18** 和拉动**19** 并取下。
- 剪下束线带 **35** 并滑回保护套 **37**，以露出液压软管 - 回退 **18** 和拉动 **19**上的配件。液压软管可使用 12mm 和 14mm 扳手从枪体 **2** 中取下。
- 使用 18mm 和 24mm 扳手可将快速连接器 - 公**10** 和母**11** 从液压软管- 回退 **18** 和拉动**19** 中取下。
- 如果要取下扳机开关 **7**，首先取下电缆密封套**38**，使控制电缆 **14** 能够自由在枪体**2**中移动。然后使用 2.0mm 内六角扳手取下 M4 固定螺丝 **12**。
- 将控制电缆**14** 压入枪体**2** 中并同时 将扳机开关**7** 从枪体中拉出，以露出扳机开关终端上的焊点。分离终端以取下扳机开关和扳机嵌件**39**。扳机嵌件与扳机开关粘合，无法取下。
- 控制电缆**14** 现在可从枪体**2** 中拉出并取下保护套**37**。

按照与拆卸相反的顺序进行组装并注意下列几点：

- 安装前，清洁快速接头 - 公**10** 和母**11**、液压软管 - 回退 **18** 和拉动 **19**上的所有螺纹。然后将两到三层 10mm PTFE 胶带涂抹到两个液压软管的外螺纹上。
- 更换扳机开关**7** 时，在安装扳机嵌件**39**前涂抹 *Loctite® 243 至扳机开关的外螺纹上。
- 组装前，使用 *Loctite® 243 涂抹 M4 固定螺丝 **12**。
- 组装后，根据第 58页上的说明准备工具。

5.8 环保

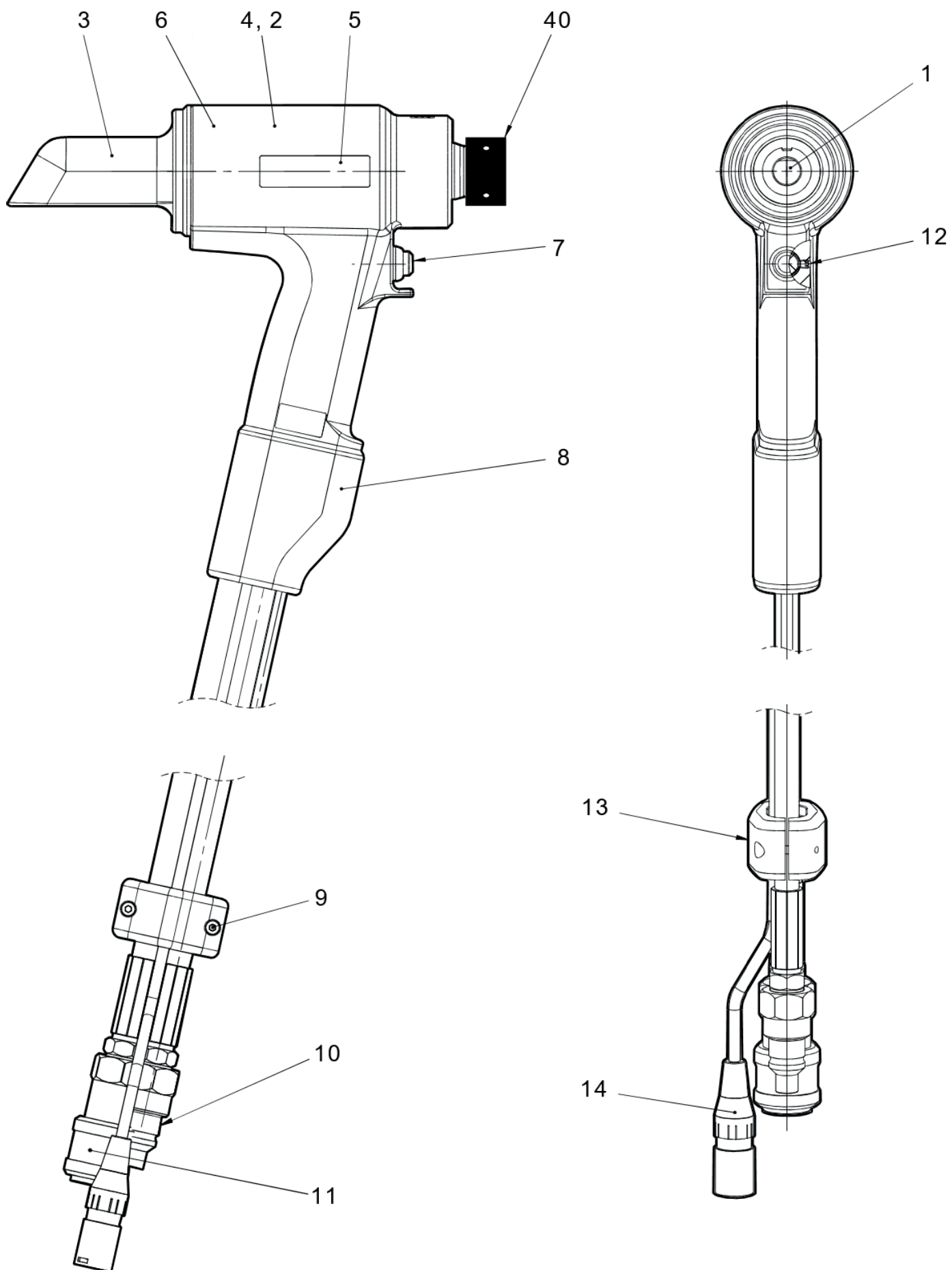
- 确保符合适用的处置规定。将所有废品弃置于经批准的废品处理设施或场所，以免对人员和环境造成危害。

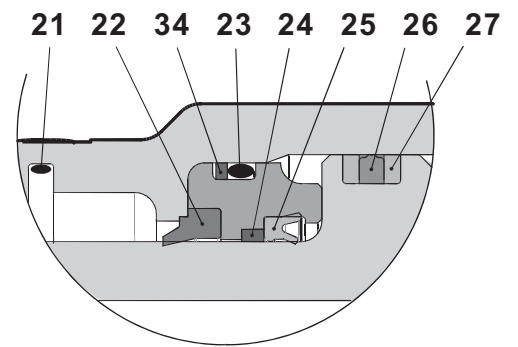
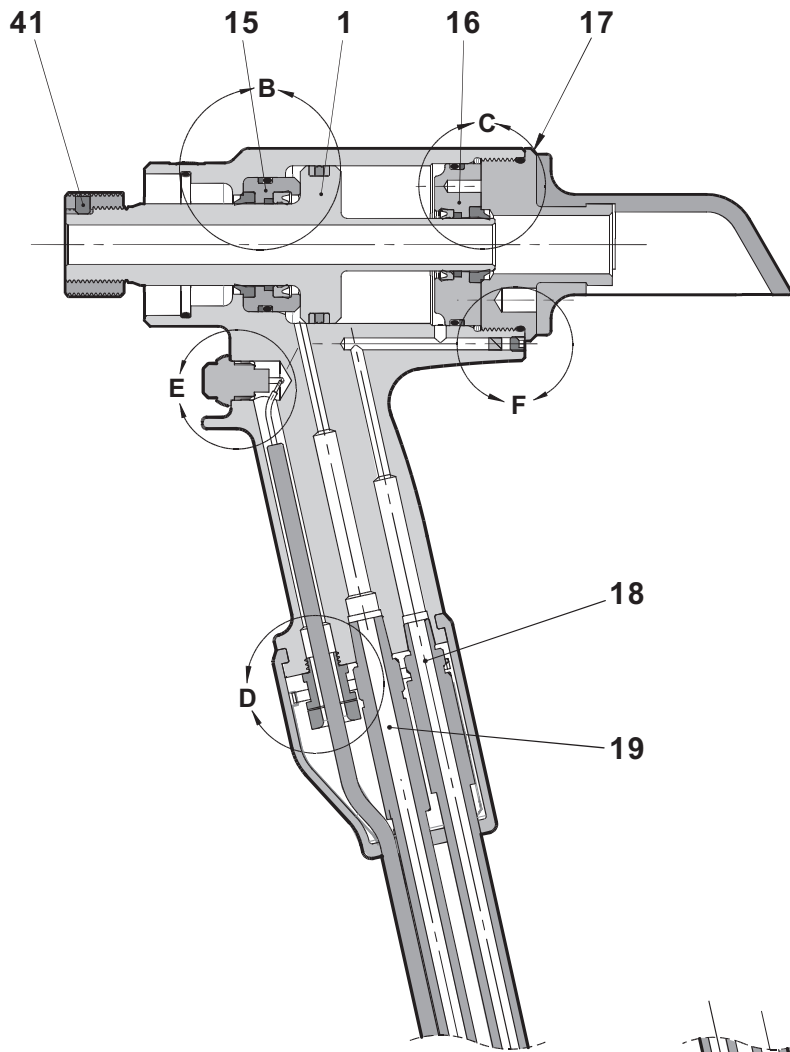
所有粗体编号参见第 64、65 和 66页上的常规安装和部件列表。

*检修套件在页面 60。

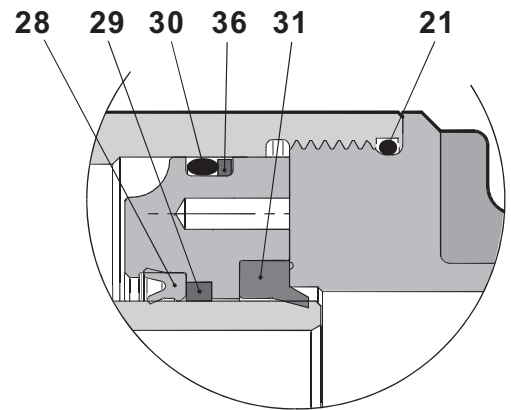
6. 常规部件和部件清单

6.1 常规组装

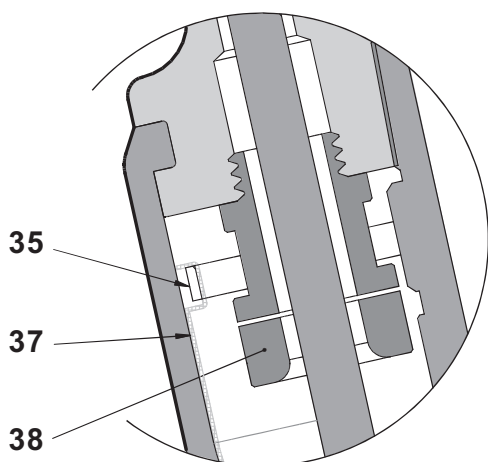




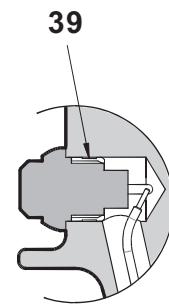
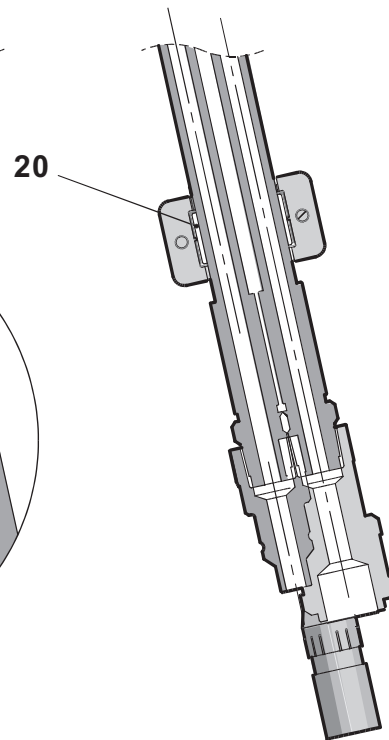
DETAIL B



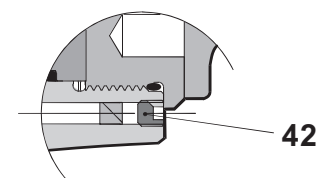
DETAIL C



DETAIL D



DETAIL E



DETAIL F

6.2 部件清单

73432-02000 部件清单			
序号	零件号	说明	数量
1	73432-02003	活塞	1
2	73432-02001	枪体	1
3	73432-02011	偏转器	1
4	73425-02016	安全标签	1
5	73432-02026	AV15 标签	2
6	07007-01504	CE 和 UKCA 标签	1
7	07007-02103	扳机开关	1
8	73430-02020	鳄式手柄	1
9	07001-00686	M4 X 16 只内六角高压螺丝	2
10	07005-10118	快速连接器 - 公	1
11	07005-10120	快速连接器 - 母	1
12	07001-00479	M4 X 4 只固定螺丝	1
13	73430-02023	软管卡箍	1
14	07007-02105	控制电缆	1
15	73432-02004	前密封套	1
16	73432-02006	后密封套	1
17	73432-02005	端盖	1
18	07005-10119	液压软管 - 回退	1
19	07005-10117	液压软管 - 拉动	1
20	73430-02024	卡箍嵌件	1
21	07003-00460	O 形圈	2
22	07003-00446	刮擦器密封	1
23	07003-00459	O 形圈	1
24	73432-02009	前支承环	1
25	07003-00445	活塞杆密封	1
26	07003-00449	活塞密封	1
27	07003-00450	防挤出环	2
28	07003-00447	活塞杆密封	1
29	73432-02010	后支承环	1
30	07003-00462	O 形圈	1
31	07003-00448	刮擦器密封	1
32			
33			
34	07003-00493	螺旋挡圈	1
35	07007-02032	束线带	1
36	07003-00495	螺旋挡圈	1
37	07005-10121	保护套	0.6 m
38	07007-02104	电缆密封套	1
39	73430-02008	扳机嵌件	1
40	73432-02012	夹头适配器 - AV15	1
41	73432-02013	锁紧销 - AV15	1
42	07001-00481	M5 X 5 只固定螺丝	1
-	07900-01021	AV15 使用手册	1

7. 安全数据

7.1 ENERPACE® HF 液压油 - 安全数据

急救

皮肤：

短暂或意外接触不会造成伤害，但是时间过长或暴露，可能导致皮炎。尽快用肥皂和水彻底清洗皮肤。脱掉严重污染的衣服，并清洗下面的皮肤。

口腔：

如果意外吞下小剂量不会造成伤害，但是大剂量可能导致导致恶心和腹泻。如果口腔受到污染，用水彻底冲洗。除非是故意行为，但不太可能摄入大量产品。如果发生，不要引起呕吐；请就医。将相关人员带至最近的医疗中心。

眼睛：

如果意外接触眼睛，只可能导致短暂的短暂的刺痛或发红。使用大量的水彻底洗眼，确保眼睑保持张开。如果出现疼痛或发红或持续，请就医。

医疗建议：

治疗一般应有症状，并通过指导减轻任何影响。

备注：高压应用：

通过皮肤注射，由于与产品在高压下接触，构成重大医疗紧急情况。伤害起初可能看起来并不严重，但在几个小时内，组织肿胀、变色、极其痛苦并产生严重的皮下坏死。

应立即进行手术。为了尽量减少组织损失和防止或限制永久性损伤，必须彻底和广泛地对伤口和底层组织进行清疮。请注意，高压可能会迫使产品沿着组织平面有相当长的距离。

丢弃

使用惰性吸收性材料清除所有溢出物。通风溢出区域。将污染的材料放在一次性容器中，并按照当地法规进行处置。

火灾

闪点：200 °C。

使用干粉、化学物质或二氧化碳进行灭火。未佩戴自呼吸式设备，请勿进入密闭区域。

处理

使用隔离霜或防油手套。

储藏

放置在阴凉处并符合当地易燃材料法规。

7.2 二硫化钼锂基脂 EP 3753 - 安全数据

润滑脂可以作为单个项目订购，部分编号参见服务套装页面 60。

急救

皮肤：

润滑脂完全防水，最好用经过批准的乳化皮肤清洁剂清除。

吞食：

确保服用 30ml I 镁乳，最好加一杯牛奶。

眼睛：

具有刺激性但无害。用水冲洗并就医。

火灾

闪点：高于 220°C。

未归为易燃。

适用的灭火介质：二氧化碳、卤化烷或喷水（如果适用由资深操作人员）。

环境

在经过批准的场地上进行焚烧或处置。

处理

使用隔离霜或防油手套

储藏

远离热和氧化剂。

7.3 MOLYKOTE® 111 润滑脂 - 安全数据

润滑脂可以作为单个项目订购，部分编号参见服务套装页面 60。

急救

皮肤：

不需要急救。

吞食：

不需要急救。

眼睛：

不需要急救。

吸入：

不需要急救。

火灾

闪点：高于 101.1°C (闭杯)

爆炸属性：否

适用的灭火介质：二氧化碳泡沫、干粉或细水喷雾。水可用于冷却火焰触及的容器。

环境

预计不会产生不良影响。

处理

建议常规通风。避免接触眼睛。

储藏

请勿氧化剂一起储藏。保持容器密闭，并存放在远离水或湿气的地方。

8. 故障诊断

现象	可能的原因	措施	页面参考
拉帽枪不运转	泵单元不转	检查泵供电，参见泵单元使用手册	
	快速连接器 10 和 11 故障	更换快速连接器	63
	扳机控制线 14 未正确连接	检查控制电缆是否正确连接至泵和拉帽枪	58
	扳机开关 7 或控制电缆 14 损坏	更换扳机开关和/或控制电缆	63
扳机开关 7 功能不正常	泵处于本地模式	参见泵操作手册	
	扳机开关 7 、控制电缆 14 或连接器损坏	更换扳机开关和/或控制电缆	63
泵运行但是拉帽枪功能不正常	液压软管未连接	检查泵和拉帽枪是否正确连接	58
	油位低	确保拉帽枪已注油并正确准备就绪 参见泵操作手册	58
	拉帽枪外部漏油	检查拉帽枪 – 更换磨损或损坏的部件	61 - 63
	软管组件外部漏油	检查软管组件 – 确保软管连接密闭和/ 或更换损坏的软管连接	63
	泵内外部漏油	参见泵操作手册	
拉帽枪运行不稳定	液压供应低或不稳定	参见泵操作手册	
	拉帽枪液压密封磨损或损毁	检查拉帽枪 – 更换磨损或损坏的密封	61 - 63
	拉帽枪液压密封面磨损或损毁	检查拉帽枪 – 更换磨损或损坏的部件	61 - 63
	泵内外部漏油	参见泵操作手册	
泵生成全压力，但是销尾未断	全压条件下断裂荷重大于拉帽枪的负载能力	参见拉帽枪技术参数	55
	拉帽枪流量受阻	检查快速连接器 10 和 11 是否完全接合	58
	泵压力释放值设置过低	调整压力释放阀设置 – 参见泵操作手册	
	紧固件销尾上的槽剥离	参见症状，页面 70	59
	拉帽枪运行不正常		59

现象	可能的原因	措施	页面参考
拉帽枪活塞 1 不返回	回退受限或受阻	检查快速连接器 10 和 11 是否完全接合和/或存在故障	58
	液压软管未连接	检查泵和拉帽枪是否正确连接	58
	泵阀门故障	参见泵操作手册	
拉帽枪未将凸缘从铁砧中弹出	泵回退计时器设置错误 – 设置过低	调整回退计时器至建议设置 – 参见泵使用手册	
	泵回压释放值设置过低	将回压释放阀调整至正确设置 – 参见泵操作手册	
	液压供应低或不稳定	参见泵操作手册	
	拉帽枪液压密封磨损或损毁	检查拉帽枪 – 更换磨损或损坏的密封	61 - 63
	拉帽枪液压密封面磨损或损毁	检查拉帽枪 – 更换磨损或损坏的部件	61 - 63
安装期间，将紧固件销尾的凹槽剥离	泵内外部漏油	参见泵操作手册	
	运行工具前操作员未将枪嘴完全推至紧固件销尾上	使用正确的安装方法指导操作员	59
	紧固件长度 / 抓附长度不正确 夹头段磨损或损坏	使用正确的紧固件 检查并更换夹头对 – 参见枪嘴数据表	59
	夹头段和/或销尾槽中存在碎屑	清洁夹头段 – 参见枪嘴装置数据表	
Avdelok® 或 Avbolt® 凸缘未完全挤压 销尾无法从枪嘴装置中松开	板材间隙过大	缩小板材间间隙	59
	拉帽枪运行不正常		59
	铁砧孔磨损	检查并更换铁砧 – 参见枪嘴数据表	
拉帽枪和液压油运行过热	枪嘴未正确安装	参见枪嘴装置数据表	
	液压管受限	检查快速连接器 10 和 11 并根据需要更换	63
液压快速连接器 10 和 11 漏油	环境温度高		
	快速连接器 - 公头 10 中的 O 形圈磨损	更换快速连接器 10 中的 O 形圈和挡圈。	63

所有粗体编号参见第 64、65 和 66 页上的常规安装和部件列表。

*检修套件在页面 60。

9. 欧盟符合性声明

本公司 **Stanley Engineered Fastening, Stanley House, Works Road, Letchworth Garden City, Hertfordshire, SG6 1JY UNITED KINGDOM**, 兹郑重说明, 产品:

说明: **AV15 液压电动工具**

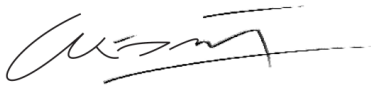
型号: **AV15 结构性工具 - 73432-02000**

符合以下兼容标准:

ISO 12100:2010	EN ISO 3744:2010
EN ISO 11202:2010	EN ISO 11148-1:2011
EN ISO 4413:2010	EN ISO 20643:2008+A1:2012
EN ISO 4414:2010	ES100118-rev 17:2017
EN ISO 28927-5:2009+A1:2015	

技术文件根据附件1第1.7.4.1节汇编, 符合以下指令: **2006/42/EC** 机械指令 (《法规汇编 2008》第1597条 - 机械供应 (安全) 条例规定参考)。

签名人代表 STANLEY Engineered Fastening



A. K. Seewraj

工程部总监 (英国)

Avdel UK Limited (地址: Stanley House, Works Road, Letchworth Garden City, Hertfordshire, SG6 1JY UNITED KINGDOM)

发布地点: **Letchworth Garden City, 英国**

签署日期: **12-12-2011**

签字人负责汇编在欧盟出售的产品的技术文件, 并代表 Stanley Engineered Fastening 进行此声明。

Matthias Appel

技术文档团队领导

Stanley Engineered Fastening, Tucker GmbH, Max-Eyth-Str.1, 35394 Gießen, 德国



本机符合
机械指令 **2006/42/EC**

10. 英国符合性声明

本公司 **Stanley Engineered Fastening, Stanley House, Works Road, Letchworth Garden City, Hertfordshire, SG6 1JY UNITED KINGDOM**, 兹郑重说明, 产品:

说明: **AV15 液压电动工具**

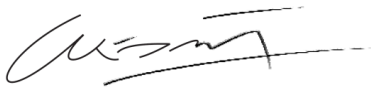
型号: **AV15 结构性工具 - 73432-02000**

符合以下兼容标准:

ISO 12100:2010	EN ISO 3744:2010
EN ISO 11202:2010	EN ISO 11148-1:2011
EN ISO 4413:2010	EN ISO 20643:2008+A1:2012
EN ISO 4414:2010	ES100118-rev 17:2017
EN ISO 28927-5:2009+A1:2015	

技术文档是根据《2008年机械供应(安全)条例》(S.I. 2008/1597)(修订)编制。

签名人代表 STANLEY Engineered Fastening



A. K. Seewraj

工程部总监(英国)

Avdel UK Limited (地址: Stanley House, Works Road, Letchworth Garden City, Hertfordshire, SG6 1JY UNITED KINGDOM)

发布地点: **Letchworth Garden City, 英国**

签署日期: **12-12-2011**



本机符合
机械供应(安全)条例规定 2008,
(S.I. 2008/1597)(修订)。

11. 保护你的投资！

Stanley® Engineered Fastening 拉铆枪保修

STANLEY® Engineered Fastening 在此保证：所有拉帽枪均已经过精心制造，在材质和工艺方面均无缺陷，正常使用情况下提供壹(1)年保修。

该保修仅适用于拉帽枪首次购买者按设计用途使用的情况。

例外情况：

正常磨损

由于正常磨损而进行的定期维护、维修和更换部件不在保修范围之内。

滥用和误用。

由于操作和/或存储不当、误用或滥用、事故或疏忽导致的缺陷或损坏不在保修范围之内。

未授权服务或改装。

由 STANLEY® Engineered Fastening 之外的其他人员或其授权的维修中心以任何方式进行的维修、测试调整、安装、维护、变更或改装而产生的缺陷或损坏不在保修范围之内。

所有其他明示或暗示保修，包括适销性或用途匹配性方面的保修，不包括在本保修范围之内。

若该拉帽枪不符合保修规定，请立即将其返回离您最近的我公司授权维修中心。若要了解美国或加拿大境内的 STANLEY® Engineered Fastening 授权维修中心情况，请拨打我们的免费电话(877)364 2781，与我们联系。

对于美国和加拿大境外的史丹利工程紧固系统公司分支机构，请访问我们的网站

www.StanleyEngineeredFastening.com，了解离您最近的分支机构情况。

史丹利工程紧固系统公司将免费更换我们发现的由于故障材质或制造原因而产生缺陷的任何部件，然后采用运费预付的方式将产品返回给客户。这表示我公司完全承担本保修项下的责任。

对于超出本拉帽枪适用范围所导致的任何间接或特殊损坏，我司概不负责。

在线登记您的拉帽枪。

若要在线登记您的产品保修，请访问我们的网站：

<https://www.stanleyengineeredfastening.com/support/warranty-registration-form>。

感谢您选择 STANLEY® Engineered Fastening 的 STANLEY Assembly Technologies 品牌工具。

STANLEY
Engineered Fastening

STANLEY Engineered Fastening

STANLEY House, Works Road
Letchworth Garden City
Hertfordshire, United Kingdom
SG6 1JY
Tel: +44 1582 900 000
Fax: +44 1582 900 001



Holding your world together®

Find your closest STANLEY Engineered Fastening location on
www.stanleyEngineeredFastening.com/contact
For an authorized distributor nearby please check

www.stanleyEngineeredFastening.com/econtact/distributors

Manual Number	Issue	C/N
07900-01021_AP	C	21/067

STANLEY
Assembly Technologies

Stanley Engineered Fastening — a division of Stanley Black and Decker — is the global leader in precision fastening and assembly solutions. Our industry-leading brands, Avdel®, Integra™, Nelson®, Optia™, POP®, Stanley® Assembly Technologies, and Tucker®, elevate what our customers create. Backed by a team of passionate and responsive problem-solvers, we empower engineers who are changing the world.

STANLEY ENGINEERED FASTENING FAMILY OF BRANDS

AVDEL

INTEGRA

NELSON

OPTIA

POP

STANLEY
Assembly Technologies

TUCKER