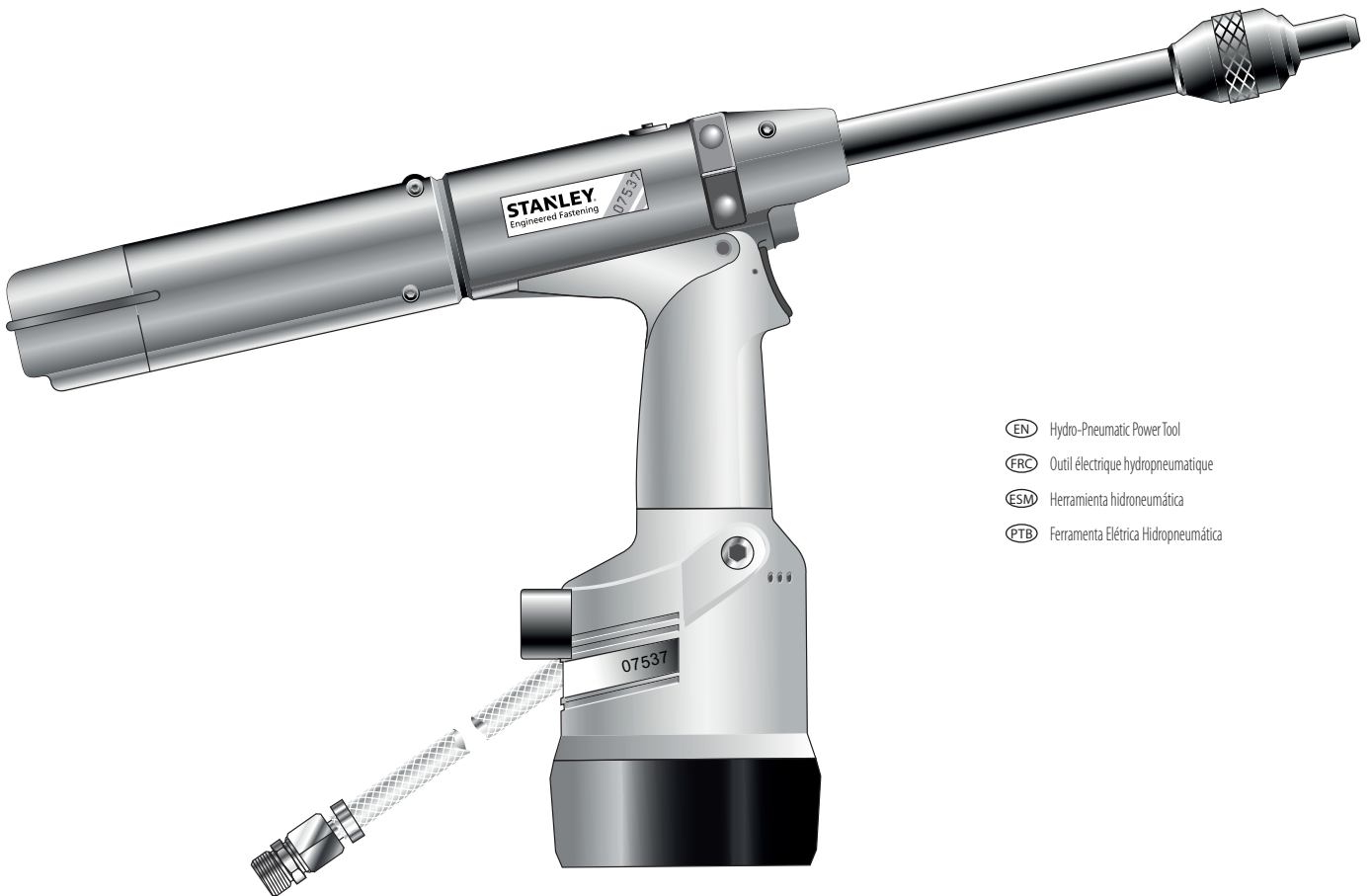


**STANLEY**  
Engineered Fastening



INSTRUCTION AND  
SERVICE MANUAL  
ORIGINAL INSTRUCTION



- EN Hydro-Pneumatic Power Tool
- FRC Outil électrique hydropneumatique
- ESM Herramienta hidroneumática
- PTB Ferramenta Elétrica Hidropneumática



Genesis® 07537

# Hydro-Pneumatic Power Tool

**STANLEY**  
Assembly Technologies



©2021 STANLEY Black & Decker  
All rights reserved.

The information provided may not be reproduced and/or made public in any way and through any means (electronically or mechanically) without prior explicit and written permission from STANLEY Engineered Fastening. The information provided is based on the data known at the moment of the introduction of this product. STANLEY Engineered Fastening pursues a policy of continuous product improvement and therefore the products may be subject to change. The information provided is applicable to the product as delivered by STANLEY Engineered Fastening. Therefore, STANLEY Engineered Fastening cannot be held liable for any damage resulting from deviations from the original specifications of the product.

The information available has been composed with the utmost care. However, STANLEY Engineered Fastening will not accept any liability with respect to any faults in the information nor for the consequences thereof. STANLEY Engineered Fastening will not accept any liability for damage resulting from activities carried out by third parties. The working names, trade names, registered trademarks, etc. used by STANLEY Engineered Fastening should not be considered as being free, pursuant to the legislation with respect to the protection of trade marks.

<b>1. SAFETY DEFINITIONS .....</b>	<b>4</b>
1.1 GENERAL SAFETY RULES .....	4
1.2 PROJECTILE HAZARDS .....	4
1.3 OPERATING HAZARDS.....	5
1.4 REPETITIVE MOTIONS HAZARDS.....	5
1.5 ACCESSORY HAZARDS .....	5
1.6 WORKPLACE HAZARDS.....	5
1.7 NOISE HAZARDS.....	5
1.8 VIBRATION HAZARDS.....	5
1.9 ADDITIONAL SAFETY INSTRUCTIONS FOR PNEUMATIC POWER TOOLS .....	6
<b>2. SPECIFICATIONS.....</b>	<b>7</b>
2.1 SPECIFICATION FOR 07537 TOOL .....	7
2.2 TOOL DIMENSIONS.....	7
<b>3. INTENT OF USE.....</b>	<b>8</b>
<b>4. PUTTING INTO SERVICE.....</b>	<b>9</b>
4.1 AIR SUPPLY .....	9
4.2 MECHANICAL CURSORS .....	10
4.3 CURSOR .....	11
4.4 LOADING AND RELOADING THE TOOL .....	11
4.5 LOADING THE TOOL .....	12
4.6 RELOADING THE TOOL .....	12
4.7 OPERATING PROCEDURE.....	12
4.8 PLACING EQUIPMENT.....	12
<b>5. SERVICING THE TOOL.....</b>	<b>13</b>
5.1 DAILY .....	13
5.2 WEEKLY .....	13
5.3 MOLYLITHIUM GREASE EP 3753 SAFETY DATA.....	13
5.4 MOLYKOTE® 55M GREASE SAFETY DATA .....	14
5.5 MOLYKOTE® 111 GREASE SAFETY DATA.....	14
5.6 SERVICE KITS .....	15
<b>6. MAINTENANCE.....</b>	<b>16</b>
6.1 DISMANTLING 07537-00200 .....	16
6.2 PROTECTING THE ENVIRONMENT .....	18
6.3 GENERAL ASSEMBLY OF 07537-00200 TOOL .....	19
6.4 PARTS LIST FOR 07537-00200 TOOL.....	20
<b>7. PRIMING .....</b>	<b>21</b>
7.1 OIL DETAILS.....	21
7.2 HYPIN® VG 32 AND AWS OIL SAFETY DATA .....	21
7.3 PRIMING PUMP .....	21
7.4 PRIMING PROCEDURE.....	21
<b>8. FAULT DIAGNOSIS .....</b>	<b>23</b>
<b>9. EC DECLARATION OF CONFORMITY .....</b>	<b>24</b>
<b>10. UK DECLARATION OF CONFORMITY.....</b>	<b>25</b>
<b>11. PROTECT YOUR INVESTMENT! .....</b>	<b>26</b>



This instruction manual must be read by any person installing or operating this tool with particular attention to the following safety rules.



Always wear impact-resistant eye protection during operation of the tool. The grade of protection required should be assessed for each use.







Use of the tool can expose the operator's hands to hazards, including crushing, impacts, cuts and abrasions and heat. Wear suitable gloves to protect hands.



Use hearing protection in accordance with employer's instructions and as required by occupational health and safety regulations.

## 1. SAFETY DEFINITIONS

The definitions below describe the level of severity for each signal word. Please read the manual and pay attention to these symbols.

-  **DANGER:** Indicates an imminently hazardous situation which, if not avoided, will result in death or serious injury.
-  **WARNING:** Indicates a potentially hazardous situation which, if not avoided, could result in death or serious injury.
-  **CAUTION:** Indicates a potentially hazardous situation which, if not avoided, may result in minor or moderate injury.
-  **CAUTION:** Used without the safety alert symbol indicates a potentially hazardous situation which, if not avoided, may result in property damage.

***Improper operation or maintenance of this product could result in serious injury and property damage. Read and understand all warnings and operating instructions before using this equipment. When using power tools, basic safety precautions must always be followed to reduce the risk of personal injury.***

### SAVE ALL WARNINGS AND INSTRUCTIONS FOR FUTURE REFERENCE

#### 1.1 GENERAL SAFETY RULES

- For multiple hazards, read and understand the safety instructions before installing, operating, repairing, maintaining, changing accessories on, or working near the tool. Failure to do so can result in serious bodily injury.
- Only qualified and trained operators must install, adjust or use the tool.
- DO NOT use outside the design intent of placing STANLEY Engineered Fastening Blind Rivets.
- Use only parts, fasteners, and accessories recommended by the manufacturer.
- DO NOT modify the tool. Modifications can reduce the effectiveness of safety measures and increase the risks to the operator. Any modification to the tool undertaken by the customer will be the customer's entire responsibility and void any applicable warranties.
- Do not discard the safety instructions; give them to the operator.
- Do not use the tool if it has been damaged.
- Prior to use, check for misalignment or binding of moving parts, breakage of parts, and any other condition that affects the tool's operation. If damaged, have the tool serviced before using. Remove any adjusting key or wrench before use.
- Tools shall be inspected periodically to verify that the ratings and markings required by this part of ISO 11148 are legibly marked on the tool. The employer/user shall contact the manufacturer to obtain replacement marking labels when necessary.
- The tool must be maintained in a safe working condition at all times and examined at regular intervals for damage and function by trained personnel. Any dismantling procedure will be undertaken only by trained personnel. Do not dismantle this tool without prior reference to the maintenance instructions.

#### 1.2 PROJECTILE HAZARDS

- Disconnect the tool from the air supply before performing any maintenance, attempting to adjust, fit or remove a nose assembly or accessories.
- Be aware that failure of the workpiece or accessories, or even of the inserted tool itself can generate high-velocity projectiles.
- Always wear impact-resistant eye protection during operation of the tool. The grade of protection required should be assessed for each use.
- The risks to others should also be assessed at this time.
- Ensure that the workpiece is securely fixed.
- Check that the means of protection from ejection of fastener and/or mandrel is in place and is operative.
- Warn against the possible forcible ejection of mandrels from the front of the tool.
- DO NOT operate a tool that is directed towards any person(s).

### 1.3 OPERATING HAZARDS

- Use of the tool can expose the operator's hands to hazards, including crushing, impacts, cuts and abrasions and heat. Wear suitable gloves to protect hands.
- Operators and maintenance personnel shall be physically able to handle the bulk, weight and power of the tool.
- Hold the tool correctly; be ready to counteract normal or sudden movements and have both hands available.
- Keep tool handles dry, clean, and free from oil and grease.
- Maintain a balanced body position and secure footing when operating the tool.
- Release the start-and-stop device in the case of an interruption of the hydraulic supply.
- Use only lubricants recommended by the manufacturer.
- Contact with hydraulic fluid should be avoided. To minimise the possibility of rashes, care should be taken to wash thoroughly if contact occurs.
- Material Safety Data Sheets for all hydraulic oils and lubricants is available on request from your tool supplier.
- Avoid unsuitable postures as it is likely for these positions not to allow counteracting of normal or unexpected movement of the tool.
- If the tool is fixed to a suspension device, make sure that the fixation is secure.
- Beware of the risk of crushing or pinching if nose equipment is not fitted.
- DO NOT operate tool with the nose casing removed.
- Adequate clearance is required for the tool operator's hands before proceeding.
- When carrying the tool from place to place keep hands away from the trigger to avoid inadvertent activation.
- DO NOT abuse the tool by dropping or using it as a hammer.
- Care should be taken to ensure that spent mandrels do not create a hazard.

### 1.4 REPETITIVE MOTIONS HAZARDS

- When using the tool, the operator can experience discomfort in the hands, arms, shoulders, neck or other parts of the body.
- While using the tool, the operator should adopt a comfortable posture whilst maintaining a secure footing and avoiding awkward or off-balance postures. The operator should change posture during extended tasks; this can help avoid discomfort and fatigue.
- If the operator experiences symptoms such as persistent or recurring discomfort, pain, throbbing, aching, tingling, numbness, burning sensations or stiffness, these warning signs should not be ignored. The operator should tell the employer and consult a qualified health professional.

### 1.5 ACCESSORY HAZARDS

- Disconnect the tool from the air supply before fitting or removing the nose assembly or accessory.
- Use only sizes and types of accessories and consumables that are recommended by the manufacturer of the tool; do not use other types or sizes of accessories or consumables.

### 1.6 WORKPLACE HAZARDS

- Slips, trips and falls are major causes of workplace injury. Be aware of slippery surfaces caused by use of the tool and also of trip hazards caused by the air line or hydraulic hose.
- Proceed with care in unfamiliar surroundings. There can be hidden hazards, such as electricity or other utility lines.
- The tool is not intended for use in potentially explosive atmospheres and is not insulated against contact with electric power.
- Ensure that there are no electrical cables, gas pipes, etc., which can cause a hazard if damaged by use of the tool.
- Dress properly. Do not wear loose clothing or jewellery. Keep your hair, clothing and gloves away from moving parts. Loose clothes, jewellery or long hair can be caught in moving parts.
- Care should be taken to ensure that spent mandrels do not create a hazard.

### 1.7 NOISE HAZARDS

- Exposure to high noise levels can cause permanent, disabling hearing loss and other problems, such as tinnitus (ringing, buzzing, whistling or humming in the ears). Therefore, risk assessment and the implementation of appropriate controls for these hazards are essential.
- Appropriate controls to reduce the risk may include actions such as damping materials to prevent workpieces from "ringing".
- Use hearing protection in accordance with employer's instructions and as required by occupational health and safety regulations.
- Operate and maintain the tool as recommended in the instruction manual, to prevent an unnecessary increase in the noise level.


### 1.8 VIBRATION HAZARDS

- Exposure to vibration can cause disabling damage to the nerves and blood supply of the hands and arms.
- Wear warm clothing when working in cold conditions and keep your hands warm and dry.

- If you experience numbness, tingling, pain or whitening of the skin in your fingers or hands, stop using the tool, tell your employer and consult a physician.
- Where possible Support the weight of the tool in a stand, tensioner or balancer, because a lighter grip can then be used to support the tool.

### 1.9 ADDITIONAL SAFETY INSTRUCTIONS FOR PNEUMATIC POWER TOOLS

- The operating supply air must not exceed 7 bar (100 PSI).
- Air under pressure can cause severe injury.
- Never leave operating tool unattended. Disconnect air hose when tool is not in use, before changing accessories or when making repairs.
- DO NOT let air exhaust opening on the mandrel collector face in the direction of the operator or other persons. Never direct air at yourself or anyone else.
- Whipping hoses can cause severe injury. Always check for damaged or loose hoses and fittings.
- Prior to use, inspect airlines for damage, all connections must be secure. Do not drop heavy objects on hoses. A sharp impact may cause internal damage and lead to premature hose failure.
- Cold air shall be directed away from hands.
- Whenever universal twist couplings (claw couplings) are used, lock pins shall be installed and whipcheck safety cables shall be used to safeguard against possible hose-to-tool or hose-to-hose connection failure.
- DO NOT lift the placing tool by the hose. Always use the placing tool handle.
- Vent holes must not become blocked or covered.
- Keep dirt and foreign matter out of the hydraulic system of the tool as this will cause the tool to malfunction.

 **WARNING:** While a small amount of wear and marking will naturally occur through normal and correct use of mandrels, they must be regularly examined for excessive wear and marking, with particular attention to the head diameter, the tail jaw gripping area of the shank or heavy pitting of the shank and any mandrel distortion. Mandrels which fail during use could forcibly exit the tool. It is the customer's responsibility to ensure that mandrels are replaced before any excessive levels of wear and always before the maximum recommended number of placings. Contact your STANLEY Engineered Fastening representative who will let you know what that figure is by measuring the broach load of your application with our calibrated measuring tool.

**STANLEY Engineered Fastening policy is one of continuous product development and improvement and we reserve the right to change the specification of any product without prior notice.**

## 2. SPECIFICATIONS

### 2.1 SPECIFICATION FOR 07537 TOOL

<b>Air Pressure</b>	Minimum - Maximum	5-7 bar (70-100 lbf/in <sup>2</sup> )
<b>Free Air Volume Required</b>	@ 5.1 bar /75 lbf/in <sup>2</sup>	2.6 litres (0.09 ft <sup>3</sup> )
<b>Stroke</b>	Minimum	28.0 mm (1.10 in)
<b>Pull Force</b>	@ 5.5 bar /80 lbf/in <sup>2</sup>	3.89 kN (875 lbf)
<b>Cycle time</b>	Approximately	1 second
<b>Weight</b>	Tool	2.3 kg (5.06 lb)

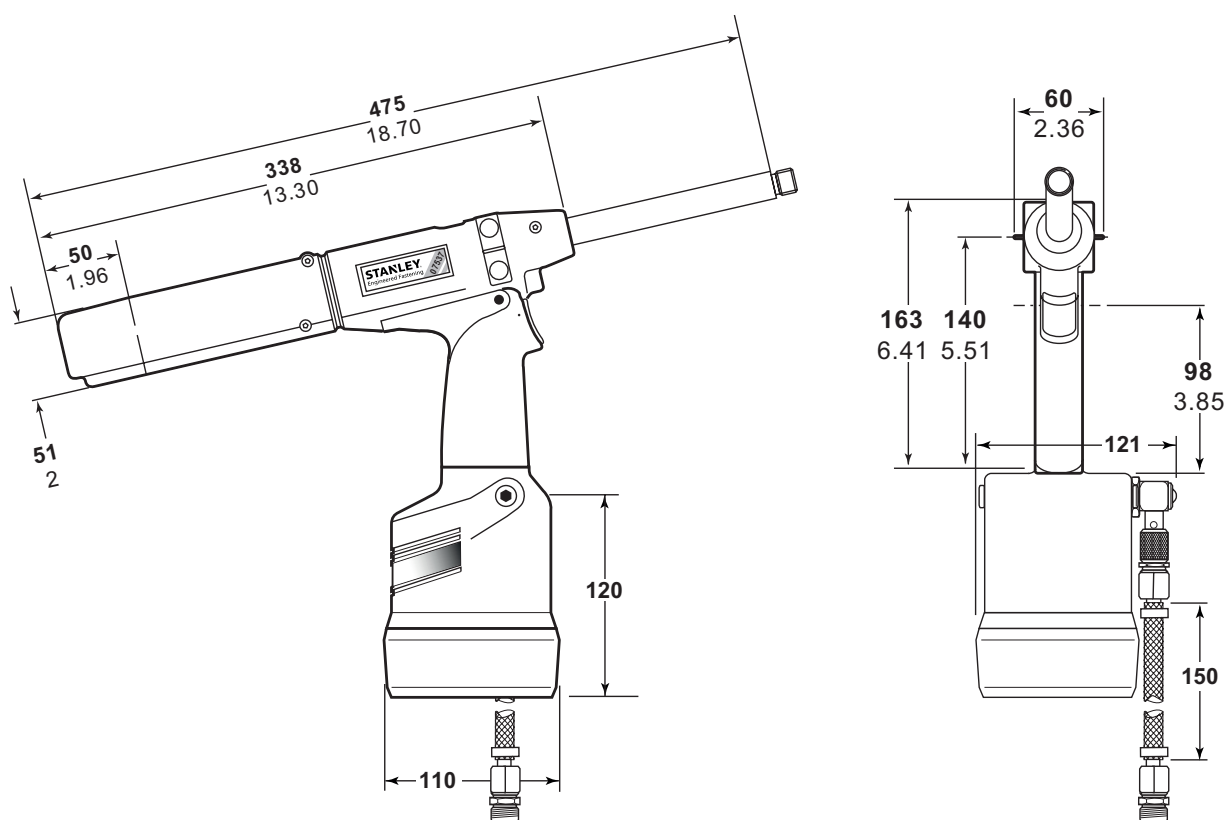
Noise values determined according to noise test code ISO 15744 and ISO 3744.		07537
A-weighted sound power level dB(A), L <sub>WA</sub>	Uncertainty noise: k <sub>WA</sub> = 2.3 dB(A)	76.1 dB(A)
A-weighted emission sound pressure level at the work station dB(A), L <sub>PA</sub>	Uncertainty noise: k <sub>PA</sub> = 2.3 dB(A)	65.1 dB(A)
C-weighted peak emission sound pressure level dB(C), L <sub>PC'</sub> peak	Uncertainty noise: k <sub>PC</sub> = 2.5 dB(C)	91.7 dB(C)

Vibration values determined according to vibration test code ISO 20643 and ISO 5349.		07537
Vibration emission level, a <sub>hd</sub> :	Uncertainty vibration: k = 0.11 m/s <sup>2</sup>	0.42 m/s <sup>2</sup>
Declared vibration emission values in accordance with EN 12096		

### 2.2 TOOL DIMENSIONS

Part Number 07537-00200



### 3. INTENT OF USE

The pneumatic 07537 tool is a handheld lightweight tool designed to place Stanley Engineered Fastening speed fasteners (except 1/16" Avlug®) making it ideal for batch or flow-line assembly in a wide variety of applications throughout all industries.

Part numbers are shown to order a complete tool but no nose equipment.

The tool part number for the 07537 model is 07537-00200. See the general assemblies on pages 19-20.

The tool will place most repetition fasteners, as shown in the table below.

The tool is used with specific nose equipment. Reference must be made to the Nose Equipment section of the accessories manual (07900-09508) when selecting compatible components for the type and size of fastener used in your application.

**DO NOT** use under wet conditions or in the presence of flammable liquids or gases.

FASTENER NAME	FASTENER SIZE											
	3/32"	1/8"	5/32"	3/16"	1/4"	2.5mm 2.8mm	3mm	3.5mm	4mm	6mm	M2.5 4-40 UNC	M3 6-32 UNC
CHOBERT®	●	●	●	●	●							
GROVIT®	●	●	●	●								
AVLUG®	●	●										
BRIV®	●	●	●	●						●		
RIVSCREW®						●	●	●	●			
AVTRONIC®						●						
AVSERT®											●	●
NEOSPEED(R)		●	●	●								



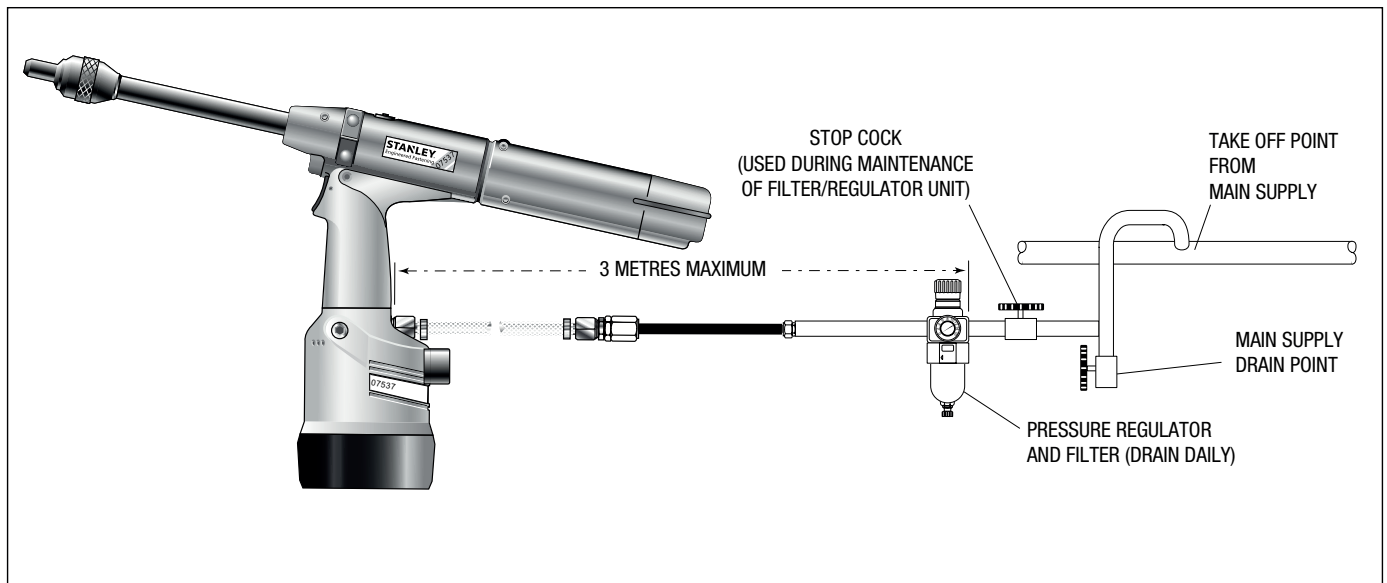
## 4. PUTTING INTO SERVICE

### 4.1 AIR SUPPLY

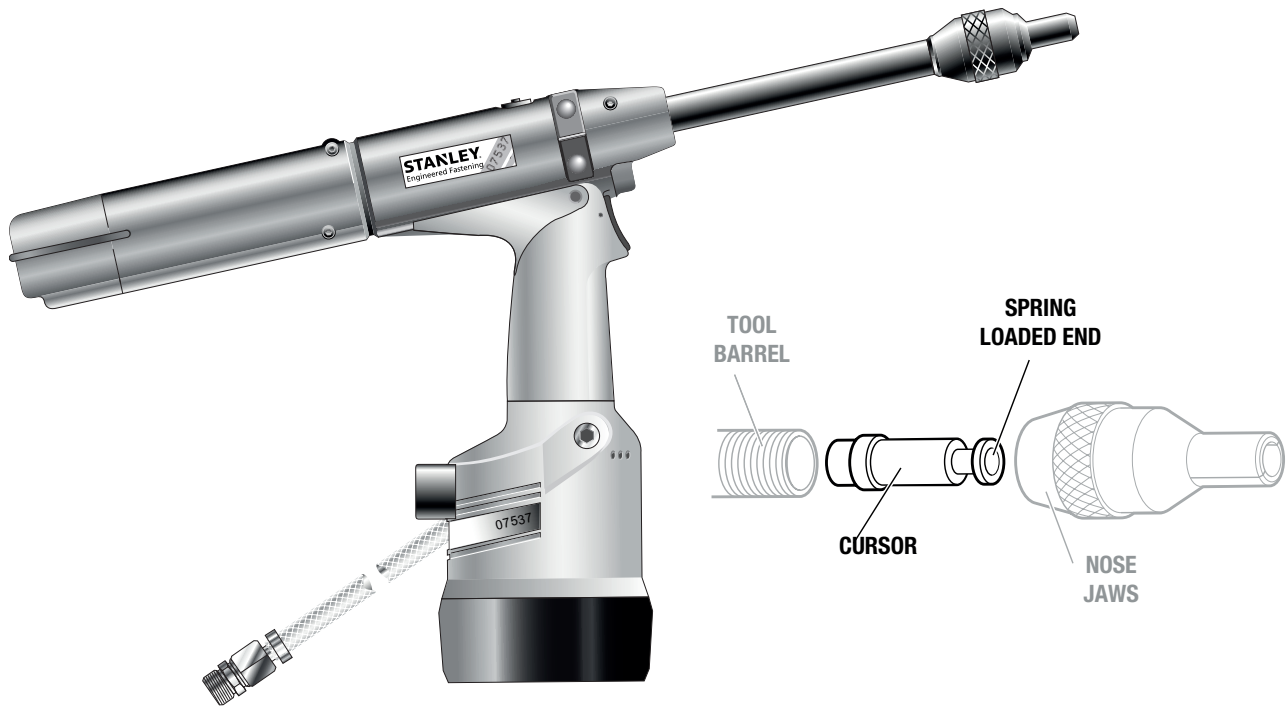
All tools are operated with compressed air at an optimum pressure of 5.5 bar. We recommend the use of pressure regulators and filtering systems on the main air supply. These should be fitted within 3 metres of the tool (see diagram below) to ensure maximum tool life and minimum tool maintenance.

Air supply hoses should have a minimum working effective pressure rating of 150% of the maximum pressure produced in the system or 10 bar, whichever is the highest. Air hoses should be oil resistant, have an abrasion resistant exterior and should be armoured where operating conditions may result in hoses being damaged. All air hoses **MUST** have a minimum bore diameter of 6.4 millimetres or 1/4 inch.

Read servicing daily details page 13.



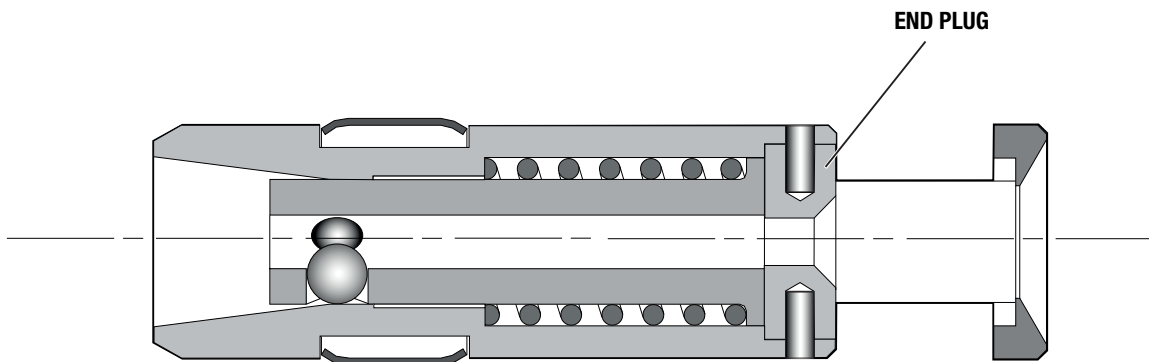
**4.2 MECHANICAL CURSORS**



For reference there are three different mechanical cursor types:

- 07271-01100      Used for Standard mandrels and 5/32" Disposable mandrels
- 07279-05843      Used for 1/8" Disposable mandrels
- 07279-05845      Used for 3/16" Disposable mandrels

The difference in the above assemblies is the internal diameter of the End Plug.



These are colour coded see below:

MECHANICAL CURSOR PART NO.	END PLUG PART NO.	COLOUR	HOLE DIAMETER (mm)
07271-01100	07150-00402	PLAIN STEEL	2.7
07279-05843	07159-05844	GOLD	2.2
07279-05845	07159-05846	SILVER	3.3

### 4.3 CURSOR

**IMPORTANT**  
**If fitted incorrectly, the cursor will not allow feeding of the fasteners.**

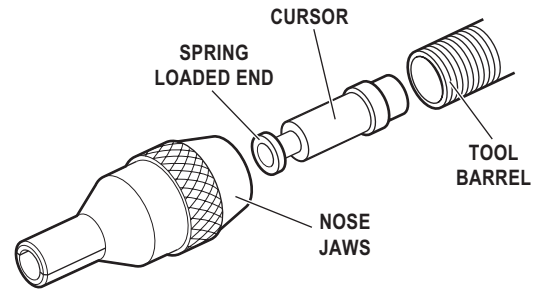
While the cursor will be fitted the correct way round when the tool is supplied, we recommend that you check its orientation before fitting the nose equipment. The sprung loaded, slightly concave, end of the cursor should point towards the front of the tool as shown in the illustration.

When fitted the correct way round, the cursor will easily slide out of the barrel when a mandrel is pushed into its centre then pulled back.

To reverse the orientation of the cursor, follow these steps:

Item numbers in **bold** refer to the general assembly and parts list for the 07537-00200 on pages 19-20.

- Remove the clip 48 and slide off end cap **50**.
- Using an Allen Key, remove one cap head screw **5** ensuring that any trapped air is exhausted. remove the second cap head screw **5**.
- Pull out rear plug **47**.
- Pull out tail jaw piston assembly **51** together with jaws **34**.
- Lift out spring **35** and jaw housing **41**.
- Insert a mandrel into the hole in the rear end of barrel **44** until it protrudes through the front of the barrel, then pull out the mandrel and cursor together through the front.
- Reassemble components in reverse order.
- Insert Mechanical Cursor Assembly **36** into the front of the barrel, correct way round.



### 4.4 LOADING AND RELOADING THE TOOL

**IMPORTANT**  
**The procedure for loading the tool and for fitting the nose equipment to the tool is integral.**

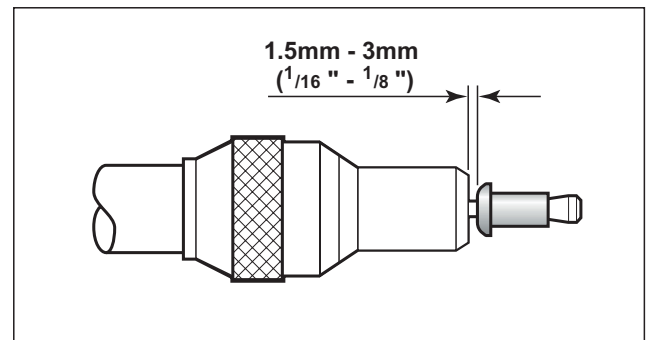
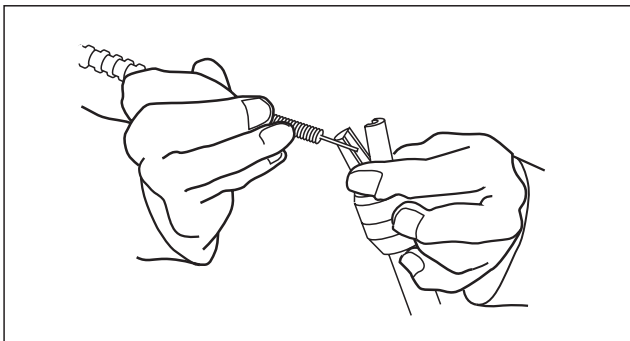
When ordering a complete tool or system you will normally be supplied with all the nose equipment required for the fastener to be placed. To identify nose equipment components or to select the correct elements, read the nose equipment section, in the accessories manual (07900-09508).

If you have been supplied with a nose jaw, mandrels and mandrel follower springs proceed with loading the tool and fitting the nose equipment as shown overleaf.

Item numbers in **bold** refer to the general assembly and parts list for the 07537-00200 on pages 19-20.

#### 4.5 LOADING THE TOOL

- Connect the air supply to the tool.
- Open tail jaws **34** which grip the mandrel, by switching off the tail jaw switch (items **22** and **23**).
- Screw selected nose jaws onto barrel **44** of the tool.
- \* Insert a mandrel into the tail end of the fasteners through the paper pod.
- Slide the mandrel follower spring onto the mandrel ensuring correct orientation, as shown in the table on page 13.
- Gripping the tail end of the mandrel, tear off the paper pod from around the fasteners.
- Open the nose jaws either by rotating the outer ring on Cam operated jaws or by pushing outwards on the jaw ends, as illustrated below left.
- Insert the previously assembled mandrel, mandrel follower spring and fasteners into the nose jaws until the first fastener to be placed is protruding from the nose jaw.
- Close the nose jaws and adjust so that the first fastener protrudes by 1.5mm - 3mm ( $\frac{1}{16}$ " to  $\frac{1}{8}$ " ), as shown in the illustration below right.
- Close the tail jaws to ensure the mandrel is gripped, by switching on the tail jaw switch (items **22** and **23**).



#### 4.6 RELOADING THE TOOL

- Open tail jaws **34** of tool.
- Open the nose jaws and pull the empty mandrel and mandrel follower spring out of the tool.
- Reload the tool by following the above instructions, starting at stage •\*.

#### 4.7 OPERATING PROCEDURE

##### IMPORTANT

**You must check that the cursor orientation and the nose equipment are correct before attempting to operate the tool.**

- Push the fastener, protruding from the nose jaws, fully into the application holes ensuring that the tool is held square.
- Operate the trigger without releasing - the mandrel head is pulled through the fastener, forming the fastener into the application.
- Remove the tool.
- Release the trigger. The next fastener will be automatically presented through the nose jaws, ready for placing.

#### 4.8 PLACING EQUIPMENT

All nose equipment, mandrels, follower springs and other accessories can be found in the accessories manual (part number 07900-09508)

## 5. SERVICING THE TOOL

Regular servicing should be carried out and a comprehensive inspection performed annually or every 500,000 cycles, whichever is sooner.

### IMPORTANT

**The employer is responsible for ensuring that tool maintenance instructions are given to the appropriate personnel. The operator should not be involved in maintenance or repair of the tool unless properly trained.**

#### 5.1 DAILY

- Daily, before use or when first putting the tool into service. Pour a few drops of clean lubricating oil into the air inlet of the tool if no lubricator is fitted on air supply. If the tool is in continuous use, the air hose should be disconnected from the main air supply and the tool lubricated every two to three hours.
- Check for air and oil leaks. If damaged, hoses and couplings should be replaced.
- If there is no filter on the pressure regulator, bleed the airline to clear it of accumulated dirt or water before connecting the air hose to the intensifier. If there is a filter, drain it.
- Check that the nose equipment is correct.
- Check mandrels regularly for signs of wear or damage monitoring the number of placings (read the safety instructions on page 4-6).
- Check the base cover is fully tightened onto the body.

#### 5.2 WEEKLY

- Conduct the full "Daily" procedures as described above.
- Remove, inspect, clean and grease the Tail Jaws (refer to "Tail Jaw Cylinder" in the „Maintenance Section“ page 16).

**CAUTION – Never use solvents or other harsh chemicals for cleaning the non-metallic parts of the tool. These chemicals may weaken the materials used in these parts.**

#### 5.3 MOLYLITHIUM GREASE EP 3753 SAFETY DATA

Grease can be ordered as a single item, the part number is shown in the Service Kits page 15.

##### First Aid

###### SKIN:

As the grease is completely water resistant it is best removed with an approved emulsifying skin cleaner.

###### INGESTION:

Ensure the individual drinks 30ml Milk of Magnesia, preferably in a cup of milk.

###### EYES:

Irritant but not harmful. Irrigate with water and seek medical attention.

##### Fire

FLASH POINT: Above 220°C.

Not classified as flammable.

Suitable extinguishing media: CO<sub>2</sub>, Halon or water spray if applied by an experienced operator.

##### Environment

Scrape up for burning or disposal on approved site.

##### Handling

Use barrier cream or oil resistant gloves

##### Storage

Away from heat and oxidising agent.

## 5.4 MOLYKOTE® 55M GREASE SAFETY DATA

### First Aid

#### SKIN:

Flush with water. Wipe off.

#### INGESTION:

No first aid should be needed.

#### EYES:

Flush with water.

### Fire

FLASH POINT: Above 101.1°C. (closed cup)

Explosive Properties: No

Suitable Extinguishing Media: Carbon Dioxide Foam, Dry Powder or fine water spray.

Water can be used to cool fire exposed containers.

### Environment

Do not allow large quantities to enter drains or surface waters.

Methods for cleaning up: Scrape up and place in suitable container fitted with a lid. The spilled product produces an extremely slippery surface.

Harmful to aquatic organisms and may cause long-term adverse effects in the aquatic environment. However, due to the physical form and water - insolubility of the product the bioavailability is negligible.

### Handling

General ventilation is recommended. Avoid skin and eye contact.

### Storage

Do not store with oxidizing agents. Keep container closed and store away from water or moisture.

## 5.5 MOLYKOTE® 111 GREASE SAFETY DATA

### First Aid

#### SKIN:

No first aid should be needed.

#### INGESTION:

No first aid should be needed.

#### EYES:

No first aid should be needed.

#### INHALATION:

No first aid should be needed.

### Fire

FLASH POINT: Above 101.1°C. (closed cup)

Explosive Properties: No

Suitable Extinguishing Media: Carbon Dioxide Foam, Dry Powder or fine water spray.

Water can be used to cool fire exposed containers.

### Environment

No adverse effects are predicted.

### Handling

General ventilation is recommended. Avoid eye contact.

### Storage

Do not store with oxidizing agents. Keep container closed and store away from water or moisture.

## 5.6 SERVICE KITS

For all servicing we recommend the use of the following service kits.

<b>SERVICE KIT: 07900-05300</b>			Spanners are specified in inches and across flats unless otherwise stated.		
ITEM PART N°	DESCRIPTION	N° OFF	ITEM PART N°	DESCRIPTION	N° OFF
07900-00157	CIRCLIP PLIERS	1	07900-00352	SEAL REMOVAL HOOK	1
07900-00006	SPATULA	1	07900-00710	BARREL PLUG REMOVAL SPANNER	1
07900-00446	EXTRACTOR	1	07900-00725	BULLET	1
07900-00603	BARREL VICE JAWS	1	07900-00243	SCREWDRIVER	1
07900-00520	3/8" ROD	1	07900-00717	INTENSIFIER SPANNER	1
07900-00521	1/4" ROD	1	07900-00013	1/8" ALLEN KEY	1
07900-00602	'O' RING ASSEMBLY BULLET	1	07900-00617	LOCTITE® MULTI-GASKET 574 50ml PACK	1
07900-00595	18mm SPANNER	1	07900-00469	2.5mm ALLEN KEY	1
07900-00434	32mm SPANNER	1	07900-00351	3mm ALLEN KEY	1
07900-00237	3/8" × 5/16" B-S-W SPANNER	1	07900-00224	4mm ALLEN KEY	1
07900-00012	9/16" × 5/8" SPANNER	1	07900-00225	5mm ALLEN KEY	1
07900-00008	7/16" × 1/2" SPANNER	1	07992-00020	80g TIN MOLYLITHIUM GREASE EP 3753	1

<b>SERVICE KIT: 71210-99990</b>			Spanners are specified in inches and across flats unless otherwise stated.		
ITEM PART N°	DESCRIPTION	N° OFF	ITEM PART N°	DESCRIPTION	N° OFF
07900-00667	PISTON SLEEVE	1	07900-00157	CIRCLIP PLIERS	1
07900-00692	TRIGGER VALVE EXTRACTOR	1	07900-00008	7/16 × 1/2 SPANNER	1
07900-00670	BULLET	1	07900-00012	9/16 × 5/8 SPANNER	1
07900-00672	'T' SPANNER	1	07900-00015	5/8 × 11/16 SPANNER	1
07900-00706	LOCATION SPIGOT	1	07900-00686	PEG SPANNER	1
07900-00684	GUIDE TUBE	1	07900-00677	SEAL EXTRACTOR	1
07900-00685	INSERTION ROD	1	07900-00698	STOP NUT	1
07900-00351	3 MM ALLEN KEY	1	07900-00700	PRIMING PUMP	1
07900-00469	2.5 MM ALLEN KEY	1	07992-00020	GREASE - MOLY LITHIUM E.P.3753	1
07900-00158	2 MM PIN PUNCH	1	07992-00075	GREASE - MOLYKOTE® 55M	1
			07900-00775	GREASE - MOLYKOTE® 111	1

## 6. MAINTENANCE

Every 500,000 cycles the tool should be completely dismantled and new components should be used where worn, damaged or when recommended. All 'O' rings and seals should be renewed and lubricated with Molykote® 55m grease for pneumatic sealing or Molykote® III for hydraulic sealing.

### IMPORTANT

**Safety Instructions appear on page 4-6.**

**The employer is responsible for ensuring that tool maintenance instructions are given to the appropriate personnel.  
The operator should not be involved in maintenance or repair of the tool unless properly trained.**

The airline must be disconnected before any servicing or dismantling is attempted, unless specifically instructed otherwise. It is recommended that any dismantling operation be carried out in clean conditions.

Prior to dismantling the tool, you will need to remove the nose equipment.

For total tool servicing we advise that you proceed with the dismantling of sub-assemblies in the order shown.

The potentially dangerous substances that could have deposited on the machine as a result of work processes must be removed before maintenance.

### 6.1 DISMANTLING 07537-00200

#### REMOVAL OF THE HEAD MOULDINGS

- Manually flip the Clip **48** up and remove the End Cap **50**.
- Using an Allen Key\*, remove the three securing Screws **2** and Nuts **7** from the tool body assembly and one Screw **97** from the LH Body Moulding **60**.
- Remove the RH and LH Body Moulding **59** and **60**.
- Assemble in reverse order of dismantling.

#### PNEUMATIC PISTON ASSEMBLY

- Clamp the Body **72** of the inverted tool across the air inlet bosses in a vice fitted with soft jaws.
- Pull off the Rubber Boot **67**.
- Using the peg spanner\* unscrew Base Cover **73**.
- Unscrew Locknuts **6** (2 off) and remove the Base Plate **77**.
- Remove the Cylinder Liner **75**, together with Sealing Washers **78** (2 off) and 'O' Rings **9** (2 off).
- Remove Pneumatic Piston Assembly **58** from Body **72** together with 'O' Ring, Lip Seal (3 off) and Guide Ring.
- Assembly in reverse order.

#### VALVE SPOOL ASSEMBLY

- Remove Pneumatic Piston Assembly **58** and Intensifier Seal Assembly **71** as described immediately above.
- Using the 'T' spanner\* and location spigot\* undo Clamp Nut **64** and remove it together with Top Plate **76**, Tie Rods **74** and Transfer Tube Assembly **69**.
- Release the tool from the vice and separate Body **72** with 'O' Ring **20** from Handle Assembly **57**.
- Pull off the Head Assembly **56** from Handle Assembly **57** and remove 'O' Ring **19** from the intensifier tube.
- Push out Valve Seat **62** together with both 'O' Rings **18** (2 off).
- Remove all the components of Valve Spool Assembly **68**.
- Finally remove 'O' Ring **18** out of the handle counter bore.
- Assemble in reverse order to dismantling ensuring that the central port in Valve Seat **62** faces upwards towards "O" Ring **17**.

#### TRIGGER

- Using the 2 millimeter diameter pin punch\*, drive Trigger Pin **65** out and lift off Trigger **61**.
- Unscrew Trigger Valve **24** using the trigger valve extractor\*.
- Assemble in reverse order to dismantling.

\* Refers to items included in the service kits 07900-05300 & 71210-99990. For complete list see page 15. Item numbers in **bold** refer to the general assemblies and parts lists on pages 19-20.



**TAIL JAW CYLINDER**

- Using an Allen Key\*, remove one cap head Screw **5** ensuring that any trapped air in the tail jaw cylinder is exhausted. Remove the second cap head Screw **5**.
- Pull out Rear Plug **47**.
- Extract air tail jaw components, comprising Tail Jaw Piston Assembly **51**, Spring **35**, Jaws **34** and Jaw Housing **41**.
- Remove plug at rear of piston assembly using an Allen Key\* and a bar through the large slot in the turret.
- Clean out turret using a 4.7mm (3/16") drill and replace plug using a non-hardening sealing compound, e.g. Loctite® Multi-gasket 574\*.
- Remove piston seal 'O' Ring **10**.
- Grip Barrel **44** in a vice using soft jaws\* to avoid damage.
- Using a box spanner\*, unscrew Barrel Plug **45**, preventing Barrel **44** turning by using an open ended spanner\*.
- Disconnect Air Tail Jaw Concertina Tube **54** from Head Assembly and pull Tail Jaw Cylinder **46** from tool.
- Remove 'O' Ring **13**, Rubbing Strip **40** and Barrel Return Spring **37**.
- Free length of Spring **35** should be 38.1mm (1.5"). Replace if necessary.
- Coat the tail jaws with Moly Lithium grease before assembling.
- Assemble in reverse order of dismantling.

**HYDRAULIC PISTON**

- Remove Tail Jaw Cylinder **46** as described earlier.
- Grip Head Assembly **56** in vice using soft jaws\* to avoid damage, undo Stroke Limiter **39**.
- Using an Allen Key\*, loosen Screw **3** clamping the Switch Block **55** to the Barrel **44**.
- Using an Allen Key\*, remove the Switch Block **55** & O Ring **21**, by undoing the securing Screw **4**.
- Hold the tool firmly and pull the Barrel **44** from the body (a small quantity of hydraulic oil may be ejected from inside body).
- Remove Piston **38** carefully so as not to damage body bore.
- Remove Lip Seal **15**.
- Lip Seal **16** is difficult to remove without damaging, but can remain in place during cleaning (provided it is not affected by cleaning process). If however, Lip Seal **16** requires renewing proceed as follows:
- Using spatula\*, prise out Lip Seal **16** from Head Assembly **56**, taking care not to damage head cavity and bores. The removed Lip Seal **16** MUST be discarded.
- To replace Lip Seal **16**, unscrew existing Bleed Plug **43** until inside face is level with internal bore of the Head Assembly **56**. This will provide a smooth passage for insertion of new Lip Seal **16** through rear of body.
- Ensure the Lip Seal **16** is well greased and the correct way round with the open end of the seal facing the rear tail jaws.
- Complete assembly in reverse order of dismantling.

**TAIL JAW ON/OFF VALVE**

- The unit is designed so that minimum of servicing is required during the life of the tool.
- If it is necessary to dismantle valve, proceed as follows:
- Remove Switch Block **55** as described in section "Hydraulic Piston".
- Using a screwdriver\*, carefully remove the Chrome Star-lock Washer **22** from Air Tail Jaw Spool **49** and discard washer.
- Extract Air Tail Jaw Spool **49** from Switch Block **55**.
- Taking care not to damage the Air Tail Jaw Spool **49**, remove the 'O' Rings **11**.
- Clean spool and refit new 'O' Rings **11** using assembly bullet\* and insert into Switch Block **55**, noting its orientation.
- Fit New Chrome Star-lock Washer **22** by clamping in vice using a soft jaw vice to prevent damage. DO NOT USE UNDUE FORCE.
- Complete assembly in reverse order of dismantling.

\* Refers to items included in the service kits 07900-05300 & 71210-99990. For complete list see page 15.  
Item numbers in **bold** refer to the general assemblies and parts lists on pages 19-20.

**HANDLE & END CAP**

- Clean and inspect mouldings for cracks or other damage.

**CURSOR**

- Clean and oil Mechanical Cursor **36** occasionally with a little light oil.

**6.2 PROTECTING THE ENVIRONMENT**

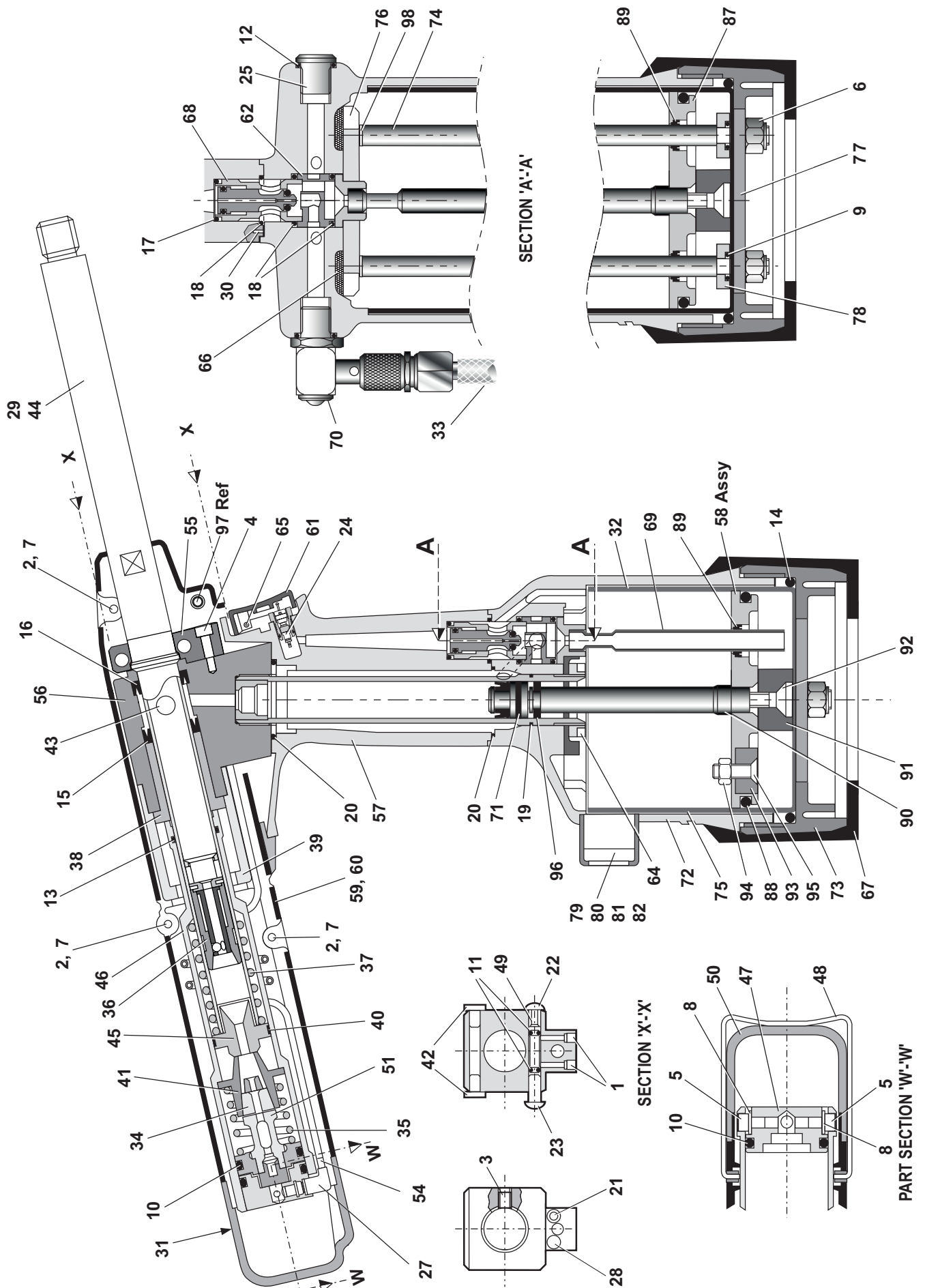
Assure conformity with applicable disposal regulations. Dispose all waste products at an approved waste facility or site so as not to expose personnel and the environment to hazards.

**IMPORTANT**

**Check the tool against daily and weekly servicing.  
Priming is ALWAYS necessary after the tool has been dismantled and prior to operating.**

\* Refers to items included in the service kits 07900-05300 & 71210-99990. For complete list see page 15.  
Item numbers in **bold** refer to the general assemblies and parts lists on pages 19-20.

6.3 GENERAL ASSEMBLY OF 07537-00200 TOOL



6.4 PARTS LIST FOR 07537-00200 TOOL

07537-00200 PARTS LIST														
ITEM	PART N°	DESCRIPTION	QTY	SPARES	ITEM	PART N°	DESCRIPTION	QTY	SPARES	ITEM	PART N°	DESCRIPTION	QTY	SPARES
01	07001-00223	M4 x 5 LONG SKT HD GRUB SCREW	2	-	41	07530-00208	JAW HOUSING	1	-	81	71221-20103	MOULD RETAINING NUT	2	-
02	07001-00401	M4 x 10 LONG SKT HD CAP SCREW	3	-	42	07530-00310	BLANKING PLUG	2	-	82	71221-20105	MODIFIED COUNTER	1	-
03	07001-00404	M5 x 6 LONG SKT HD SET SCREW	1	-	43	07530-00500	BLEED PLUG Assembly [Items 83 to 86]	1	-	83	07003-00142	BONDED SEAL	1	1
04	07001-00445	M4 x 15 LONG SKT HD CAP SCREW	1	-	44	07530-02201	BARREL	1	-	84	07003-00194	BONDED SEAL	1	1
05	07001-00504	M4 x 6 LONG SKT HD CAP SCREW	2	2	45	07530-02205	BARREL PLUG	1	-	85	07001-00442	SCREW	1	-
06	07002-00108	M6 NYLOK NUT	2	-	46	07530-02207	TAIL JAW CYLINDER	1	-	86	07530-00501	PLUG	1	-
07	07002-00134	M4 HEX NUT	3	-	47	07530-02213	REAR PLUG	1	-	87	71211-03201	PISTON	1	-
08	07002-00153	M4 WASHER (PLASTIC)	2	-	48	07530-02220	CLIP	1	-	88	07003-00280	O' RING	1	1
09	07003-00027	O' RING	2	-	49	07530-02302	AIR TAIL JAW SPOOL	1	-	89	07003-00274	SEAL/WIPER	3	-
10	07003-00113	O' RING	2	2	50	07530-02603	END CAP	1	-	90	71211-03202	INTENSIFIER ROD	1	-
11	07003-00121	O' RING	2	2	51	07530-02800	TAIL JAW PISTON ASSEMBLY	1	-	91	07537-00501	SPACER	1	-
12	07003-00127	O' RING	1	-	52	07537-00201	LABEL (NOT SHOWN)	2	-	92	07001-00411	M6x25 C'SK HEAD SCREW	1	-
13	07003-00167	O' RING	1	1	53	07537-00202	LABEL (NOT SHOWN)	1	-	93	07007-01993	CENTRE POLE MAGNET	1	-
14	07003-00418	O' RING	2	-	54	07537-00203	AIR TAIL JAW CONCERTINA TUBE	1	-	94	07002-00098	M5 NYLOK NUT	1	-
15	07003-00236	LIP SEAL (DYNAMIC)	1	1	55	07537-00204	SWITCH BLOCK	1	-	95	71221-20104	M5x19 C'SK SCREW	1	-
16	07003-00237	LIP SEAL (STATIC)	2	-	56	07537-00300	HEAD ASSEMBLY	1	-	96	71210-03205	GUIDE RING	1	-
17	07003-00271	O' RING	1	-	57	07537-00400	HANDLE ASSEMBLY	1	-	97	07001-00442	M5x6 LONG SKT HD BUTTON SCREW	1	-
18	07003-00281	O' RING	3	-	58	07537-00500	PNEUMATIC PISTON Assembly (87 to 96)	1	-	98	07002-00163	WASHER	2	-
19	07003-00287	O' RING	1	-	59	07537-00600	07537 BODY MOULDING ASSEMBLY - RH	1	-					
20	07003-00288	O' RING	2	-	60	07537-00700	07537 BODY MOULDING ASSEMBLY - LH	1	-					
21	07003-00383	O' RING-(I/D 3.00 Sec 1.00)	2	-	61	71210-02008	TRIGGER	1	-					
22	07004-00058	1/8" STARLOCK WASHER CHROME	1	-	62	71210-02009	VALVE SEAT	1	-					
23	07004-00059	1/8" STARLOCK WASHER BLACK	1	-	63									
24	07005-00088	TRIGGER VALVE	1	-	64	71210-02014	CLAMP NUT	1	-					
25	07005-01274	1/8" BSP PLUG	1	-	65	71210-02024	TRIGGER PIN	1	-					
26				-	66	71210-02031	SILENCER	2	-					
27	07005-01972	L TYPE THREADED NIPPLE	1	-	67	71210-02055	RUBBER BOOT	1	-					
28	07005-10057	NON-RETURN VALVE	1	-	68	71210-03400	VALVE SPOOL ASSEMBLY	1	-					
29	07007-00017	DUST CAP	1	-	69	07537-00810	TRANSFER TUBE ASSEMBLY	1	-					
30	07007-00224	DIA 3 x 10 LONG SPIRAL PIN	2	-	70	71210-03700	ON/OFF VALVE ASSEMBLY	1	-					
31	73200-02022	SAFETY LABEL	1	-	71	71210-03800	INTENSIFIER SEAL ASSEMBLY	1	-					
32	07007-01504	CE MARK LABEL (NOT SHOWN)	1	-	72	71211-02001	BODY MACHINED	1	-					
33	07008-00010	6" FLEXIBLE HOSE	1	-	73	71211-02002	BASE COVER MACHINED	1	-					
34	07151-00403	JAWS	2	2	74	71211-02004	TIE RODS	2	-					
35	07154-00404	SPRING	1	-	75	71211-02008	CYLINDER LINER	1	-					
36	07271-01100	MECHANICAL CURSOR	1	-	76	71213-02010	TOP PLATE ASSEMBLY	1	-					
37	07490-03002	BARREL RETURN SPRING	1	-	77	71221-02005	BASE PLATE	1	-					
38	07530-00203	PISTON	1	-	78	71221-02006	SEALING WASHER	2	-					
39	07530-00204	STROKE LIMITER	1	-	79	71221-20101	COUNTER MOULDING	1	-					
40	07530-00206	RUBBING STRIP	1	1	80	71221-20102	SPECIAL M4 SCREW	2	-					

## 7. PRIMING

Priming is ALWAYS necessary after the tool has been dismantled and prior to operating. It may also be necessary to restore the full stroke after considerable use, when the stroke may be reduced and fasteners are not fully placed by one operation of the trigger.

### 7.1 OIL DETAILS

The recommended oil for priming is Hyspin® VG 32 available in 0.5l (part number 07992-00002) or one gallon containers (part number 07992-00006).

Please find specific table and safety data below.

### 7.2 HYSPIN® VG 32 AND AWS OIL SAFETY DATA

#### First Aid

##### SKIN:

Wash thoroughly with soap and water as soon as possible. Casual contact requires no immediate attention. Short term contact requires no immediate attention.

##### INGESTION:

Seek medical attention immediately. DO NOT induce vomiting.

##### EYES:

Irrigate immediately with water for several minutes. Although NOT a primary irritant, minor irritation may occur following contact.

#### Fire

Flash point: 232°C. Not classified as flammable.

Suitable extinguishing media: CO<sub>2</sub>, dry powder, foam or water fog. DO NOT use water jets.

#### Environment

WASTE DISPOSAL: Through authorised contractor to a licensed site. May be incinerated. Used product may be sent for reclamation.

SPILLAGE: Prevent entry into drains, sewers and water courses. Soak up with absorbent material.

#### Handling

Wear eye protection, impervious gloves (e.g. of PVC) and a plastic apron. Use in well ventilated area.

#### Storage

No special precautions.

### 7.3 PRIMING PUMP

To enable you to follow the priming procedure opposite, you will need to obtain a priming pump 07900-00700.

### 7.4 PRIMING PROCEDURE

#### IMPORTANT

**DISCONNECT THE TOOL FROM THE AIR SUPPLY OR SWITCH OFF AT VALVE 70.**

**All operations should be carried out on a clean bench, with clean hands in a clean area.**

**Ensure that the new oil is perfectly clean and free from air bubbles.**

**Care MUST be taken at all times, to ensure that no foreign matter enters the tool, or serious damage may result.**

- Remove Bleed Screw **85** and Bonded Seal **84**.
- Connect air supply to tool and switch ON/OFF Valve **70** to 'ON' position.
- Invert tool over suitable container and actuate trigger. Waste oil will be ejected through the bleed screw hole.

#### **CARE SHALL BE TAKEN TO ENSURE THAT THE BLEED HOLE IS NOT DIRECTED TOWARDS THE OPERATOR OR OTHER PERSONNEL.**

- Disconnect air supply to tool or switch ON/OFF Valve **70** to 'OFF' position.
- Fill the priming pump with oil.
- Screw priming pump 07900-00700 into the bleed screw hole with Bonded Seal **84** in place.
- Actuate the priming pump by pressing down and releasing several times until resistance is felt.

Item numbers in **bold** refer to the general assembly drawing and parts list on pages 19-20.

- Remove the priming pump.
- Replace Bleed Screw **85** and Bonded Seal **84**.
- Connect air supply to tool and switch ON/OFF valve **70** to 'ON" position.
- Check that the stroke of the tool meets the minimum specification of 30 millimetres. To check the stroke, measure the distance between the rear of the tail jaw cylinder and body mouldings, BEFORE pressing the trigger and when the trigger is fully actuated. The stroke is the difference between the two measurements. If it does not meet the minimum specification, repeat the priming procedure.

## 8. FAULT DIAGNOSIS

SYMPTOM	POSSIBLE CAUSE	REMEDY	PAGE REF.
Tool will not place fastener	Low air pressure.	Increase air pressure	
	Lack of lubrication.	Lubricate tool at air inlet point	
	High broach load.	Check fastener grip and application hole size	
	Check for correct size mandrel.		
	Worn or broken tail jaws.	New tail jaws	
	Tail jaws switched off.	Switch on tail jaws	
	Air in hydraulic system.	See 'Priming Procedure'	21
'Mandrel Slip' - jaws will not grip mandrel	Worn or dirty tail jaws.	Clean or renew as necessary	
	'Insufficient air pressure/volume.	Increase air pressure/volume	
	'Tail jaw switch inoperable.	Replace switch	
	'Air leaks to tail jaws.	Renew 'O' Rings 10 on Piston Assembly 51	
	Mandrel broken and not reaching tail jaws.	Replace mandrel	
	Defective non-return valve.	Replace non-return valve	
Jaws will not release mandrel	Dirty tail jaws or jaw housing.	Clean and lubricate	
	Faulty tail jaw switch.	Replace 'O' rings	
Fasteners will not feed through nose jaws	Tail jaws not switched on.	Switch on tail jaws	
	Worn tail jaws.	Renew tail jaws	
	Cursor orientation incorrect.	Refit, ensuring correct orientation	
	Incorrect nose jaws.	Fit correct nose jaws	
	Mandrel follower spring not fitted.	Fit correct mandrel follower spring	
	Incorrect gap between fastener head and nose jaws when loaded.	Set gap to 1.5mm - 3mm ( $1/16''$ - $1/8''$ ) See 'Loading the Tool'	
	Cursor sticking.	Clean and oil cursor	
	Weak outer spring around cursor.	Renew cursor	
	Incorrect mandrel follower spring fitted.	Fit correct mandrel follower spring	
Excessive tail jaw wear	High broach load.	Check application hole size and thickness and fastener grip capability	
Feeding more than one fastener at a time	Mandrel slip.	Check as for 'Mandrel Slip', stage 2	
	Incorrect gap between fastener head and nose jaws when loaded	Set gap to 1.5mm - 3mm ( $1/16''$ - $1/8''$ ) See 'Loading the Tool'	12

Other symptoms or failures should be reported to your local Stanley Engineered Fastening authorised distributor or repair centre.

## 9. EC DECLARATION OF CONFORMITY

We, **Stanley Engineered Fastening, Stanley House, Works Road, Letchworth Garden City, Hertfordshire, SG6 1JY UNITED KINGDOM**, declare under our sole responsibility that the product:

**Description:** **Hydro-Pneumatic Repetition Tool for Speed Rivets**

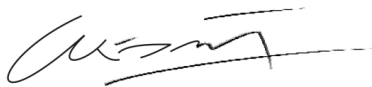
**Model:** **07537**

to which this declaration relates is in conformity with the following harmonized standards:

ISO 12100:2010	EN ISO 3744:2010
EN ISO 11202:2010	EN ISO 11148-1:2011
EN ISO 4413:2010	BS EN 28662-1:1993
EN ISO 4414:2010	EN ISO 20643:2008+A1:2012
EN ISO 28927-5:2009+A1:2015	ES100118-rev 17:2017

Technical documentation is compiled in accordance with Annex VII, in accordance with the following Directive: **2006/42/EC The Machinery Directive** (Statutory Instruments 2008 No 1597 - The Supply of Machinery (Safety) Regulations refers).

The undersigned makes this declaration on behalf of STANLEY Engineered Fastening



**A. K. Seewraj**  
**Director of Engineering, UK**

Avdel UK Limited, Stanley House, Works Road, Letchworth Garden City, Hertfordshire,  
SG6 1JY UNITED KINGDOM

**Place of issue:** **Letchworth Garden City, UK**

**Date of issue:** **01-01-2021**

The undersigned is responsible for compilation of the technical file for products sold in the European Union and makes this declaration on behalf of Stanley Engineered Fastening.

**Matthias Appel**

**Team Leader Technical Documentation**

Stanley Engineered Fastening, Tucker GmbH, Max-Eyth-Str.1,  
35394 Gießen, Germany



**This machinery is in conformity with  
Machinery Directive 2006/42/EC**

**STANLEY**  
Engineered Fastening



## 10.UK DECLARATION OF CONFORMITY

We, **Stanley Engineered Fastening, Stanley House, Works Road, Letchworth Garden City, Hertfordshire, SG6 1JY UNITED KINGDOM**, declare under our sole responsibility that the product:

**Description:** **Hydro-Pneumatic Repetition Tool for Speed Rivets**

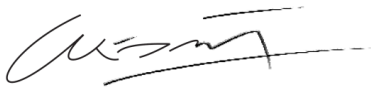
**Model:** **07537**

to which this declaration relates is in conformity with the following designated standards:

ISO 12100:2010	EN ISO 3744:2010
EN ISO 11202:2010	EN ISO 11148-1:2011
EN ISO 4413:2010	BS EN 28662-1:1993
EN ISO 4414:2010	EN ISO 20643:2008+A1:2012
EN ISO 28927-5:2009+A1:2015	ES100118-rev 17:2017

Technical documentation is compiled in accordance with the Supply of Machinery (Safety) Regulations 2008, S.I. 2008/1597 (as amended).

The undersigned makes this declaration on behalf of STANLEY Engineered Fastening



**A. K. Seewraj**

**Director of Engineering, UK**

Avdel UK Limited, Stanley House, Works Road, Letchworth Garden City, Hertfordshire,  
SG6 1JY UNITED KINGDOM

**Place of issue:** **Letchworth Garden City, UK**

**Date of issue:** **01-01-2021**



This machinery is in conformity with  
Supply of Machinery (Safety) Regulations 2008,  
S.I. 2008/1597 (as amended)

## 11. PROTECT YOUR INVESTMENT!

### **Stanley® Engineered Fastening BLIND RIVET TOOL WARRANTY**

STANLEY® Engineered Fastening warrants that all power tools have been carefully manufactured and that they will be free from defect in material and workmanship under normal use and service for a period of one (1) year.

This warranty applies to the first time purchaser of the tool for original use only.

#### **Exclusions:**

##### **Normal wear and tear.**

Periodic maintenance, repair and replacement parts due to normal wear and tear are excluded from coverage.

##### **Abuse & Misuse.**

Defect or damage that results from improper operation, storage, misuse or abuse, accident or neglect, such as physical damage are excluded from coverage.

##### **Unauthorized Service or Modification.**

Defects or damages resulting from service, testing adjustment, installation, maintenance, alteration or modification in any way by anyone other than STANLEY® Engineered Fastening, or its authorized service centres, are excluded from coverage.

All other warranties, whether expressed or implied, including any warranties of merchantability or fitness for purpose are hereby excluded.

Should this tool fail to meet the warranty, promptly return the tool to our factory authorized service centre location nearest you. For a list of STANLEY® Engineered Fastening Authorized Service Centres in the US or Canada, contact us at our toll free number (877)364 2781.

Outside the US and Canada, visit our website [www.StanleyEngineeredFastening.com](http://www.StanleyEngineeredFastening.com) to find your nearest STANLEY Engineered Fastening location.

STANLEY Engineered Fastening will then replace, free of charge, any part or parts found by us to be defective due to faulty material or workmanship, and return the tool prepaid. This represents our sole obligation under this warranty.

In no event shall STANLEY Engineered Fastening be liable for any consequential or special damages arising out of the purchase or use of this tool.

#### **Register Your Blind Rivet Tool online.**

To register your warranty online, visit us at

<https://www.stanleyengineeredfastening.com/support/warranty-registration-form>

Thank you for choosing a STANLEY® Engineered Fastening's Stanley Assembly Technologies Brand tool.

©2021 STANLEY Black & Decker  
Tous droits réservés.

Les renseignements fournis ne peuvent pas être reproduits et/ou rendus publics d'aucune façon et par aucun moyen (électronique ou mécanique) sans autorisation écrite et explicite préalable de STANLEY Engineered Fastening. Les renseignements fournis sont basés sur des données connues au moment de l'introduction de ce produit. STANLEY Engineered Fastening applique une politique d'amélioration en permanence des produits et par conséquent, les produits peuvent être modifiés. Les renseignements fournis sont applicables au produit tels que présentés par STANLEY Engineered Fastening. Par conséquent, STANLEY Engineered Fastening ne peut pas être tenu responsable des dommages résultant de différences par rapport aux caractéristiques initiales du produit.

Les renseignements disponibles ont été rédigés avec la plus grande attention. Cependant, STANLEY Engineered Fastening n'acceptera aucune responsabilité quant au respect de toute erreur dans ces renseignements ni les conséquences qui en découleraient. STANLEY Engineered Fastening n'acceptera aucune responsabilité quant aux dommages résultant d'activités effectuées par des tiers. Les noms de travail, les noms commerciaux, les marques déposées, etc. utilisés par STANLEY Engineered Fastening ne doivent pas être considérés comme étant libres, en vertu de la loi relative à la protection des marques de commerce.

<b>1. DÉFINITIONS LIÉES À SÉCURITÉ.....</b>	<b>28</b>
1.1 RÈGLES GÉNÉRALES DE SÉCURITÉ.....	28
1.2 RISQUES LIÉS AUX PROJECTILES.....	28
1.3 RISQUES LIÉS À L'UTILISATION.....	29
1.4 RISQUES LIÉS AUX MOUVEMENTS RÉPÉTITIFS .....	29
1.5 RISQUES LIÉS AUX ACCESSOIRES.....	29
1.6 RISQUES EN MILIEU DE TRAVAIL .....	29
1.7 RISQUES LIÉS AU BRUIT.....	30
1.8 RISQUES LIÉS À LA VIBRATION.....	30
1.9 CONSIGNES DE SÉCURITÉ SUPPLÉMENTAIRES POUR LES OUTILS ÉLECTRIQUES PNEUMATIQUES .....	30
<b>2. CARACTÉRISTIQUES .....</b>	<b>31</b>
2.1 CARACTÉRISTIQUE DE L'OUTIL 07537.....	31
2.2 DIMENSIONS DE L'OUTIL .....	31
<b>3. UTILISATION PRÉVUE .....</b>	<b>32</b>
<b>4. MISE EN SERVICE.....</b>	<b>33</b>
4.1 ALIMENTATION EN AIR .....	33
4.2 CURSEURS MÉCANIQUES .....	34
4.3 CURSEUR .....	35
4.4 CHARGEMENT ET RECHARGEMENT DE L'OUTIL .....	35
4.5 CHARGEMENT DE L'OUTIL.....	36
4.6 RECHARGEMENT DE L'OUTIL.....	36
4.7 MODE DE FONCTIONNEMENT.....	36
4.8 MISE EN PLACE DE L'ÉQUIPEMENT.....	36
<b>5. ENTRETIEN DE L'OUTIL .....</b>	<b>37</b>
5.1 QUOTIDIENNEMENT .....	37
5.2 HEBDOMADAIRE .....	37
5.3 GRAISSE AU LITHIUM MOLY EP 3753 – DONNÉES LIÉES À LA SÉCURITÉ.....	37
5.4 GRAISSE MOLYKOTE® 55M – DONNÉES LIÉES À LA SÉCURITÉ.....	38
5.5 GRAISSE MOLYKOTE® 111 – DONNÉES LIÉES À LA SÉCURITÉ.....	38
5.6 NÉCESSAIRES D'ENTRETIEN.....	39
<b>6. ENTRETIEN.....</b>	<b>40</b>
6.1 DÉMONTAGE DE 07537-00200.....	40
6.2 PROTÉGER L'ENVIRONNEMENT .....	42
6.3 ASSEMBLAGE GÉNÉRAL DE L'OUTIL 07537-00200 .....	43
6.4 LISTE DE PIÈCES POUR L'OUTIL 07537-00200 .....	44
<b>7. AMORÇAGE .....</b>	<b>45</b>
7.1 DÉTAILS SUR L'HUILE.....	45
7.2 FICHES SIGNALÉTIQUES DES HUILES HYSPI® VG 32 ET AWS .....	45
7.3 POMPE D'AMORÇAGE.....	45
7.4 MODE D'AMORÇAGE.....	45
<b>8. DIAGNOSTIC DE PANNE.....</b>	<b>47</b>
<b>9. DÉCLARATION DE CONFORMITÉ CE .....</b>	<b>48</b>
<b>10. DÉCLARATION DE CONFORMITÉ R-U.....</b>	<b>49</b>
<b>11. PROTÉGEZ VOTRE INVESTISSEMENT!.....</b>	<b>50</b>



Ce guide d'utilisation doit être lu par toute personne qui installe ou utilise cet outil avec une attention particulière aux règles de sécurité suivantes.



Portez toujours une protection oculaire résistant aux impacts durant l'utilisation de l'outil. Le niveau de protection requis doit être évalué pour chaque utilisation.



L'utilisation de l'outil peut exposer les mains de l'utilisateur aux risques, incluant l'écrasement, les impacts, les coupes, les éraflures et la chaleur. Portez des gants appropriés pour protéger vos mains.



Utilisez une protection auditive conforme aux instructions de l'employeur et tel que requis par les réglementations liées à la santé et la sécurité au travail.

## 1. DÉFINITIONS LIÉES À SÉCURITÉ

Les définitions suivantes décrivent le niveau de sévérité pour chaque mot-indicateur. Veuillez lire le guide et porter attention à ces symboles.



**DANGER** : Indique une situation dangereuse imminente qui, si elle ne peut être évitée, entraînera la mort ou des blessures graves.



**AVERTISSEMENT** : Indique une situation potentiellement dangereuse qui, si elle ne peut être évitée, pourrait entraîner la mort ou des blessures graves.



**ATTENTION** : Indique une situation potentiellement dangereuse qui, si elle n'est pas évitée, peut entraîner une blessure légère ou modérée.



**ATTENTION** : Utilisé sans le symbole d'alerte de sécurité indique une situation potentiellement dangereuse qui, si elle n'est pas évitée, peut entraîner des dommages matériels.

**Une utilisation ou un entretien inappropriés de ce produit pourrait entraîner une blessure grave ou des dommages matériels. Lisez et comprenez tous les avertissements et toutes les instructions d'utilisation avant d'utiliser cet équipement. Lorsque vous utilisez des outils électriques, des consignes de sécurité de base doivent être suivies afin de réduire le risque de blessures corporelles.**

### CONSERVEZ TOUS LES AVERTISSEMENTS ET LES INSTRUCTIONS POUR RÉFÉRENCE ULTÉRIEURE

#### 1.1 RÈGLES GÉNÉRALES DE SÉCURITÉ

- Pour les risques multiples, lisez et comprenez les consignes de sécurité avant d'installer, d'utiliser, de réparer, d'entretenir, de changer les accessoires ou de travailler près de l'outil. Ne pas le faire peut entraîner une blessure corporelle grave.
- Seulement les utilisateurs formés et qualifiés doivent installer, ajuster ou utiliser l'outil.
- NE PAS utiliser dans un autre but que la mise en place des rivets aveugles de STANLEY Engineered Fastening.
- Utilisez seulement des pièces, des fixations et des accessoires recommandés par le fabricant.
- NE PAS modifier l'outil. Les modifications peuvent réduire l'efficacité des mesures de sécurité et augmenter les risques pour l'utilisateur. Toute modification de l'outil entreprise par le client sera l'entière responsabilité du client et annulera toute garantie applicable.
- Ne pas jeter les consignes de sécurité; donnez-les à l'utilisateur.
- Ne pas utiliser l'outil s'il a été endommagé.
- Avant d'utiliser, vérifiez si les pièces en mouvement sont mal alignées ou fixes, s'il y a des bris des pièces et tout autre état qui affecte l'utilisation de l'outil électrique. S'il est endommagé, faites réparer l'outil avant de l'utiliser. Retirez toute clé de réglage avant de l'utiliser.
- Les outils doivent être inspectés régulièrement afin de vérifier les caractéristiques nominales et les inscriptions requises par cette partie de la norme ISO 11148 sont indiquées lisiblement sur l'outil. L'employeur/utilisateur doit contacter le fabricant pour obtenir des étiquettes de remplacement au besoin.
- L'outil doit être maintenu dans un état de fonctionnement sécuritaire en tout temps, vérifié régulièrement pour des dommages et utilisé par du personnel qualifié. Toute procédure de démontage sera entreprise seulement par du personnel qualifié. Ne pas démonter cet outil sans référence préalable aux instructions d'entretien.

#### 1.2 RISQUES LIÉS AUX PROJECTILES

- Débranchez l'outil de l'alimentation en air avant d'effectuer tout entretien, d'essayer de régler, d'installer ou de retirer un embout ou des accessoires.
- Sachez que la défaillance de la pièce de travail ou des accessoires ou même l'outil inséré lui-même peut générer des projectiles à haute vitesse.
- Portez toujours une protection oculaire résistant aux impacts durant l'utilisation de l'outil. Le niveau de protection requis doit être évalué pour chaque utilisation.

- Les risques pour autrui doivent aussi être évalués à ce moment.
- Assurez-vous que la pièce de travail est fixée solidement.
- Assurez-vous que le moyen de protection contre l'éjection de la fixation et/ou du mandrin est en place et fonctionnelle.
- Prémunissez-vous contre l'éjection puissante possible des mandrins à l'avant de l'outil.
- NE PAS utiliser un outil qui est dirigé vers toute personne.

### 1.3 RISQUES LIÉS À L'UTILISATION

- L'utilisation de l'outil peut exposer les mains de l'utilisateur aux risques, incluant l'écrasement, les impacts, les coupes, les éraflures et la chaleur. Portez des gants appropriés pour protéger vos mains.
- Les utilisateurs et le personnel d'entretien doivent être physiquement en mesure de manipuler le volume, le poids et la puissance de l'outil.
- Tenez l'outil correctement; soyez prêt à contrer les mouvements normaux ou brusques et ayez les deux mains disponibles.
- Gardez les poignées sèches, propres et exemptes d'huile et de graisse.
- Maintenez une position corporelle équilibrée et un aplomb solide lorsque vous utilisez l'outil.
- Relâchez le dispositif de démarrage et d'arrêt en cas d'interruption de l'alimentation hydraulique.
- Utilisez seulement les lubrifiants recommandés par le fabricant.
- Le contact avec le liquide hydraulique doit être évité. Afin de minimiser la possibilité d'éruptions cutanées, des précautions doivent être prises pour laver en profondeur si un contact se produit.
- Les fiches signalétiques pour toutes les huiles hydrauliques et tous les lubrifiants sont disponibles sur demande chez votre fournisseur d'outils.
- Évitez des postures inappropriées, car il est probable que ces postures ne permettent pas de contrer les mouvements normaux ou inattendus de l'outil.
- Si l'outil est fixé à un dispositif de suspension, assurez-vous que la fixation est sécuritaire.
- Attention aux risques d'écrasement ou de pincement si l'équipement de l'embout n'est pas installé.
- NE PAS utiliser l'outil avec le boîtier de l'embout retiré.
- Un espace approprié est requis pour les mains de l'utilisateur avant de procéder.
- Lorsque vous transportez l'outil d'un endroit à l'autre, gardez vos mains loin de la gâchette afin d'éviter une activation par inadvertance.
- NE PAS abuser de l'outil en l'échappant ou en l'utilisant comme un marteau.
- Des précautions doivent être prises pour assurer que les mandrins usés ne constituent pas un danger.

### 1.4 RISQUES LIÉS AUX MOUVEMENTS RÉPÉTITIFS

- Lors de l'utilisation de l'outil, l'utilisateur peut ressentir un inconfort dans les mains, les bras, les épaules, le cou ou d'autres parties du corps.
- Pendant qu'il utilise l'outil, l'utilisateur doit adopter une posture confortable tout en maintenant un aplomb sécuritaire et en évitant des postures inconfortables ou déséquilibrées. L'utilisateur doit modifier sa posture durant les tâches prolongées; cela peut aider à éviter l'inconfort et la fatigue.
- Si l'utilisateur ressent des symptômes comme un inconfort persistant ou récurrent, de la douleur, des sensations de pulsations, de crampes, de picotements, d'engourdissements, de brûlures ou de raideur, ces avertissements ne doivent pas être ignorés. L'utilisateur doit le dire à l'employeur et consultez un professionnel de la santé.

### 1.5 RISQUES LIÉS AUX ACCESSOIRES

- Déconnectez l'outil de l'alimentation de l'air avant d'ajuster ou de retirer l'assemblage de l'embout ou l'accessoire.
- Utilisez seulement les tailles et les types d'accessoires ou de produits consommables qui sont recommandés par le fabricant de l'outil; ne pas utiliser d'autres tailles ou types d'accessoires ou des produits consommables.

### 1.6 RISQUES EN MILIEU DE TRAVAIL

- Les glissements, trébucher et les chutes sont des causes majeures des blessures en milieu de travail. Tenez compte des surfaces glissantes causées par l'utilisation de l'outil et les risques de trébucher causés par les conduites d'air ou le tuyau hydraulique.
- Soyez prudent dans les environnements inconnus. Il peut y avoir des dangers cachés comme l'électricité ou d'autres câbles de services publics.
- L'outil n'est pas conçu pour une utilisation en atmosphères potentiellement explosives et il n'est isolé contre le contact avec l'électricité.
- Assurez-vous qu'il n'y a aucun câble électrique, tuyau de gaz, etc. qui peut causer un danger s'il est endommagé par l'utilisation de l'outil.
- Habillez-vous convenablement. Ne pas porter de vêtements amples ou des bijoux. Gardez vos cheveux, vos vêtements et vos gants hors de portée des pièces en mouvement. Les vêtements amples, les bijoux ou les cheveux longs peuvent se coincer dans les pièces en mouvement.
- Des précautions doivent être prises pour assurer que les mandrins usés ne constituent pas un danger.

### 1.7 RISQUES LIÉS AU BRUIT


- L'exposition à des niveaux élevés du bruit peut causer une perte de l'ouïe invalidante permanente et d'autres problèmes comme l'acouphène (tintements, bourdonnements, sifflements ou vrombissements dans les oreilles). Ainsi, l'évaluation des risques et la mise en œuvre des contrôles appropriés pour ces risques sont essentielles.
- Les contrôles appropriés pour réduire les risques peuvent comprendre des mesures comme des matériaux insonorisant afin d'empêcher le « tintement » des pièces de travail.
- Utilisez une protection auditive conforme aux instructions de l'employeur et tel que requis par les réglementations liées à la santé et la sécurité au travail.
- Utilisez et maintenez l'outil conformément aux recommandations du guide d'utilisation afin de prévenir une augmentation non nécessaire du niveau du bruit.

### 1.8 RISQUES LIÉS À LA VIBRATION

- L'exposition à la vibration peut causer des dommages invalidants aux nerfs et à l'apport sanguin aux mains et aux bras.
- Portez des vêtements chauds lorsque vous travaillez dans le froid et gardez vos mains propres et sèches.
- Si vous ressentez des engourdissements, des picotements, de la douleur ou un blanchiment de la peau de doigts ou des mains, cessez d'utiliser l'outil, avisez votre employeur et consultez un médecin.
- Lorsque c'est possible, soutenez le poids de l'outil sur un support, un tensionneur ou un dispositif d'équilibre parce qu'une prise plus légère peut alors être utilisée pour soutenir l'outil.

### 1.9 CONSIGNES DE SÉCURITÉ SUPPLÉMENTAIRES POUR LES OUTILS ÉLECTRIQUES PNEUMATIQUES

- L'alimentation de l'air opérationnelle ne doit pas excéder 7 bars (100 PSI).
- L'air sous pression peut causer une blessure grave.
- Ne jamais laisser l'outil fonctionner sans surveillance. Déconnectez le tuyau d'air lorsque l'outil n'est pas utilisé, avant de changer les accessoires ou lors de réparations.
- NE PAS laisser l'ouverture de l'évacuation de l'air sur le collecteur du mandrin orientée en direction de l'utilisateur ou d'autres personnes. Ne jamais diriger l'air vers vous-même ou toute autre personne.
- Frapper les tuyaux peut causer une blessure grave. Vérifiez toujours s'il y a des tuyaux et des raccords endommagés ou desserrés.
- Avant l'utilisation, inspectez les conduites d'air pour voir s'il y a des dommages, toutes les connexions doivent être sécuritaires. Ne pas échapper des objets lourds sur les tuyaux. Un impact considérable peut causer des dommages internes et entraîner une défaillance prématurée des tuyaux.
- L'air froid doit être dirigé loin des mains.
- Lorsque des raccords tournants universels (raccords à griffes) sont utilisés, les goupilles de sécurité doivent être installées et les câbles de sécurité pour tuyaux doivent être utilisés contre une possible défaillance d'une connexion tuyau à outil ou tuyau à tuyau.
- NE PAS lever l'outil de mise en place par le tuyau. Utilisez toujours la poignée de l'outil de mise en place.
- Les trous d'aération peuvent s'obstruer et être couverts.
- Gardez la saleté et les corps étrangers hors du système hydraulique de l'outil puisque cela causera un mauvais fonctionnement de l'outil.

 **AVERTISSEMENT :** Bien qu'une petite quantité d'usure et de marques se produit naturellement par l'utilisation normale et correcte des mandrins, ils doivent être régulièrement examinés en cas d'usure et de marques excessives, en apportant une attention particulière au diamètre de la tête, la zone de saisie des mâchoires de la queue de la tige ou des piqûres abondantes sur la tige et toute déformation de mandrin. Les mandrins défectueux durant l'utilisation pourraient sortir avec force de l'outil. C'est la responsabilité du client d'assurer que les mandrins sont remplacés avant tout niveau excessif ou usure et toujours avant le nombre maximum de poses recommandé. Contactez votre représentant STANLEY Engineered Fastening qui vous dira quel est ce chiffre en mesurant la charge de broches de votre application avec un notre outil de mesure calibré.

**La politique STANLEY Engineered Fastening est une politique de développement et d'amélioration en permanence et nous nous réservons le droit de modifier les caractéristiques de tout produit sans préavis.**

## 2. CARACTÉRISTIQUES

### 2.1 CARACTÉRISTIQUE DE L'OUTIL 07537

<b>Pression de l'air</b>	Minimum – Maximum	5-7 bar (70-100 lbf/po <sup>2</sup> )
<b>Volume d'air libre requis</b>	à 5,1 bar /75 lbf/po <sup>2</sup>	2,6 litres (0,09 pi <sup>3</sup> )
<b>Course</b>	Minimum	28,0 mm (1,10 pi)
<b>Force de traction</b>	à 5,5 bar /80 lbf/po <sup>2</sup>	3.89 kN (875 lbf)
<b>Durée du cycle :</b>	Environ	1 seconde
<b>Poids</b>	Outil	2,3 kg (5,06 lb)

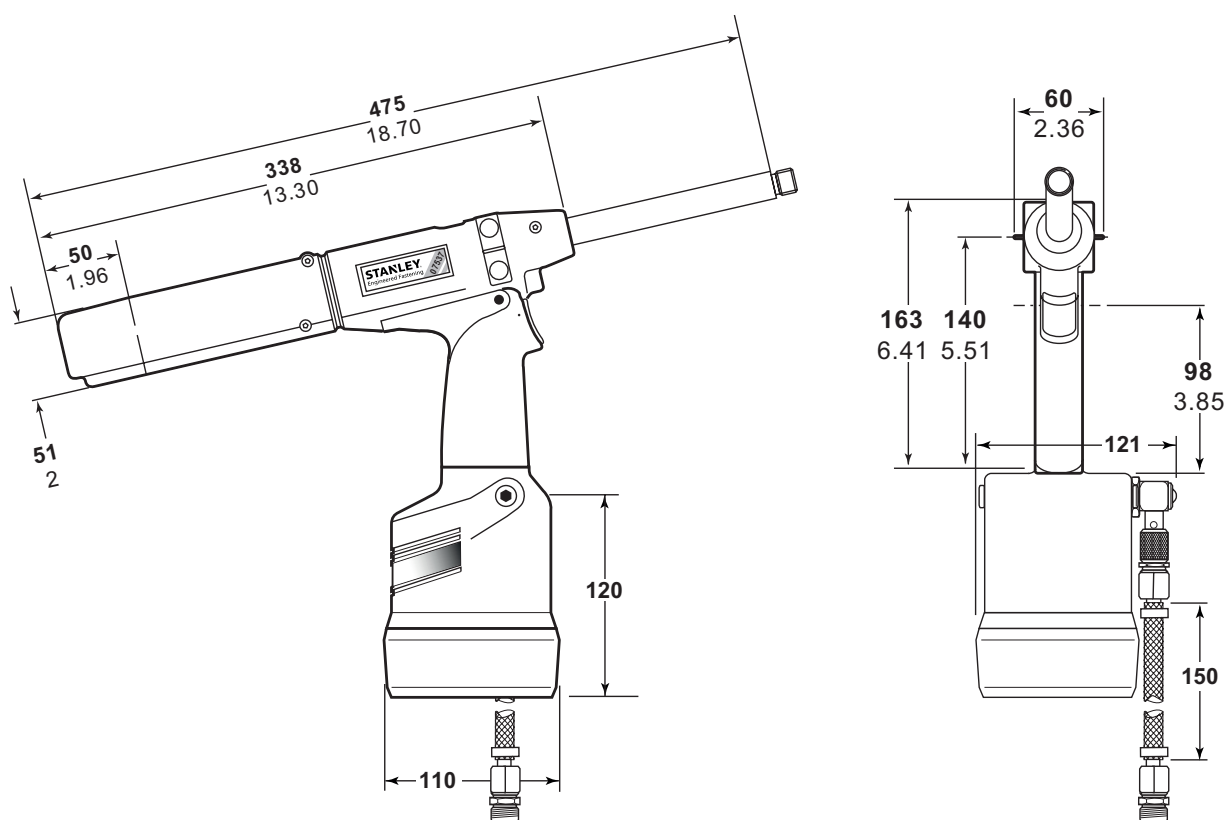
Valeurs de bruits déterminées selon les codes de test de bruit ISO 15744 et ISO 3744.		07537
Niveau acoustique pondéré A dB(A), L <sub>WA</sub>	Bruit incertain : k <sub>WA</sub> = 2.3 dB(A)	76.1 dB(A)
Niveau de pression acoustique pondéré A à la station de travail dB(A), L <sub>PA</sub>	Bruit incertain : k <sub>PA</sub> = 2.3 dB(A)	65.1 dB(A)
Niveau de pression acoustique du pic pondéré C dB(C), L <sub>PC</sub> , pic	Bruit incertain : k <sub>PC</sub> = 2.5 dB(C)	91.7 dB(C)

Valeurs de vibration déterminées selon les codes de test de vibration ISO 20643 et ISO 5349.		07537
Niveau d'émissions de vibrations, a <sub>hd</sub> :	Vibration incertaine : k = 0.11 m/s <sup>2</sup>	0.42 m/s <sup>2</sup>
Valeurs d'émissions de vibrations déclarées conformément à la norme EN 12096		

### 2.2 DIMENSIONS DE L'OUTIL

Numéro de pièce 07537-00200



### 3. UTILISATION PRÉVUE

L'outil pneumatique 07537 est un outil manuel léger conçu pour placer les fixations rapides Stanley Engineered Fastening (à l'exception de Avlug® de 1/16 po), ce qui en fait l'outil idéal pour l'assemblage en ligne par lots dans une grande variété d'applications dans tous les secteurs.

Les numéros de pièces sont indiqués pour commander un outil complet, mais pas l'embout.

Le numéro de pièce de l'outil pour le modèle 07537 est 07537-00200. Voir les assemblages généraux aux pages 43-44.

L'outil permet de placer la plupart des fixations de répétition, comme indiqué dans le tableau ci-dessous.

L'outil est utilisé avec un équipement d'embout spécifique. Il est nécessaire de se référer à la section sur l'équipement de l'embout du manuel des accessoires (07900-09508) lors de la sélection des composants compatibles avec le type et la taille de la fixation utilisée dans votre application.

**NE PAS** utiliser en conditions mouillées ou en présence de liquides ou de gaz inflammables.

NOM DE FIXATION	TAILLE DES FIXATIONS											
	3/32 po	1/8 po	5/32 po	3/16 po	1/4 po	2,5 mm 2,8 mm	3 mm	3,5 mm	4 mm	6 mm	M2.5 4-40 UNC	M3 6-32 UNC
CHOBERT®	●	●	●	●	●							
GROVIT®	●	●	●	●								
AVLUG®	●	●										
BRIV®	●	●	●	●						●		
RIVSCREW®						●	●	●	●			
AVTRONIC®						●						
AVSERT®											●	●
NEOSPEED(R)		●	●	●								



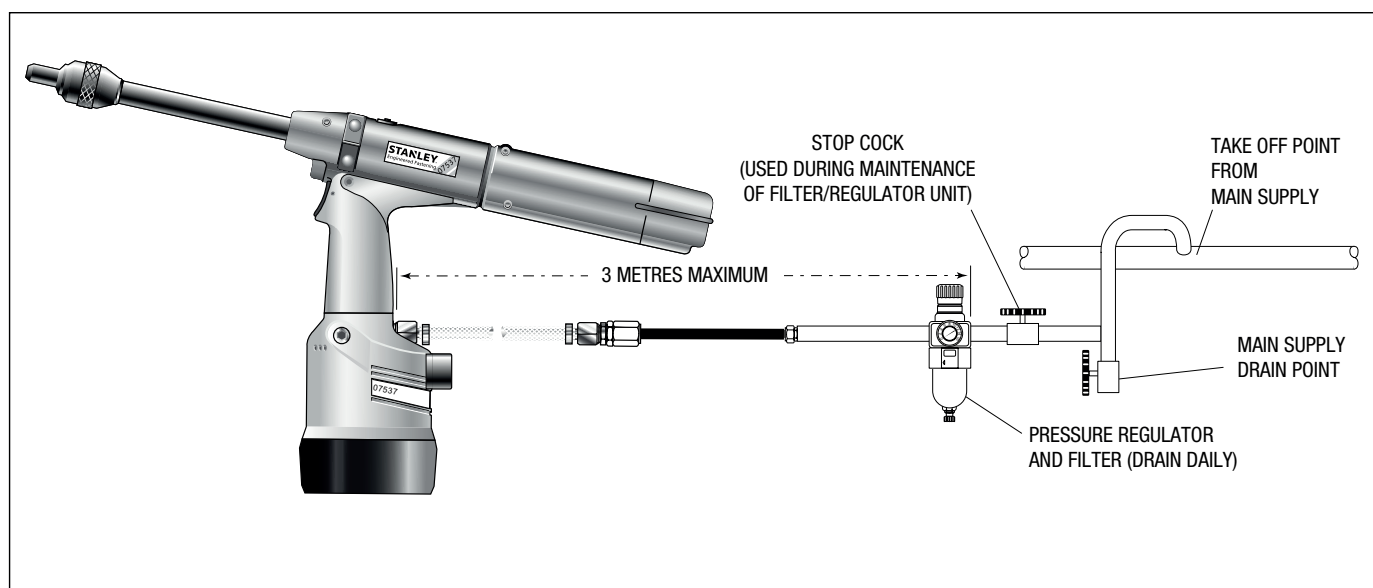
## 4. MISE EN SERVICE

### 4.1 ALIMENTATION EN AIR

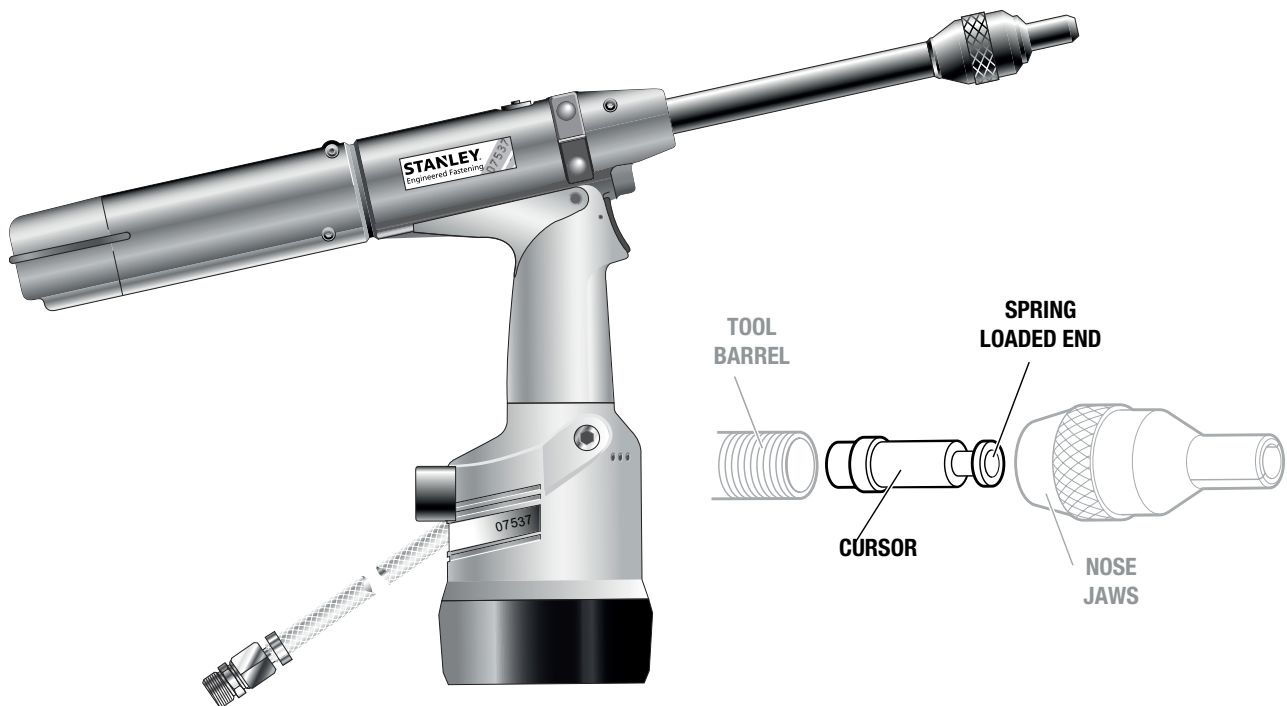
Tous les outils sont utilisés avec de l'air comprimé à une pression optimale de 5,5 bars. Nous recommandons l'utilisation de régulateurs de pression et de systèmes de filtrage sur l'alimentation principale en air. Ils doivent être installés à moins de 3 mètres de l'outil (voir le schéma ci-dessous) pour garantir une durée de vie maximale et un entretien minimal de l'outil.

Les tuyaux d'alimentation de l'air doivent avoir une pression nominale efficace de fonctionnement minimum de 150 % d'une pression maximale produite dans le système ou de 10 bars, selon la valeur la plus élevée. Les tuyaux d'air doivent être résistant à l'huile, avoir un extérieur résistant à l'abrasion et être armés où les conditions d'utilisation peuvent faire en sorte que les tuyaux soient endommagés. Tous les tuyaux d'air DOIVENT avoir un diamètre d'alésage minimum de 6,4 millimètres ou 1/4 pouces.

Voir la page 37 sur les détails de l'entretien quotidien.



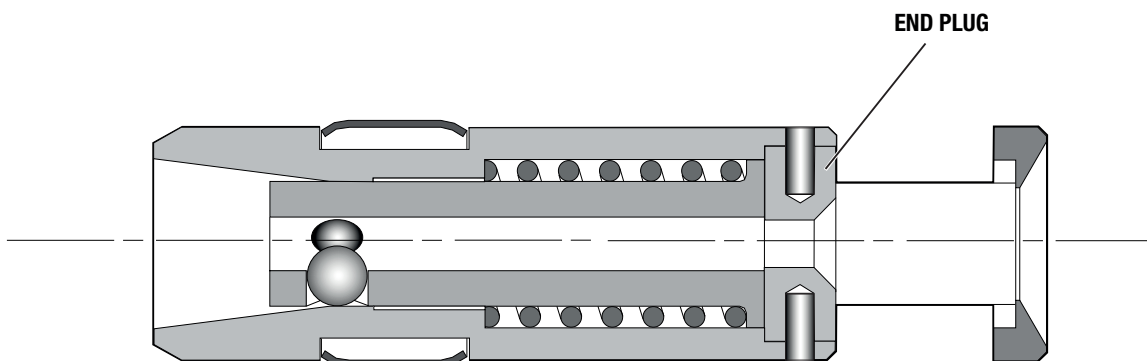
## 4.2 CURSEURS MÉCANIQUES



Pour référence, il existe trois types de curseurs mécaniques différents :

- 07271-01100 Utilisé pour les mandrins standards et les mandrins jetables 5/32 po
- 07279-05843 Utilisé pour les mandrins jetables 1/8 po
- 07279-05845 Utilisé pour les mandrins jetables 3/16 po

La différence dans les assemblages ci-dessus est le diamètre interne du bouchon d'extrémité.



Ceux-ci sont codés par couleur, voir ci-dessous :

NO. DE PIÈCE CURSEUR MÉCANIQUE	NO. DE PIÈCE BOUCHON D'EXTRÉMITÉ	COULEUR	DIAMÈTRE DU TROU (mm)
07271-01100	07150-00402	ACIER NOIR	2,7
07279-05843	07159-05844	OR	2,2
07279-05845	07159-05846	ARGENT	3,3

### 4.3 CURSEUR

**IMPORTANT**

**S'il n'est pas bien fixé, le curseur ne permettra pas l'alimentation des fixations.**

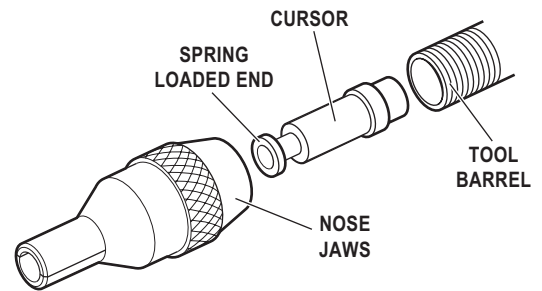
Même si le curseur sera fixé de la bonne façon lorsque l'outil est fourni, nous vous recommandons de vérifier son orientation avant de fixer l'équipement de l'embout. L'extrémité à ressort, légèrement concave du curseur doit pointer vers l'avant de l'outil comme affiché dans l'illustration.

S'il est fixé de la bonne façon, le curseur glissera facilement hors du canon lorsque le mandrin est poussé au centre, puis reculé.

Pour inverser l'orientation du curseur, suivez ces étapes :

Les numéros de pièces **en gras** font référence au plan d'assemblage général et à la liste des pièces pour l'outil 07537-00200 aux pages 43-44.

- Retirez l'attache 48 et faites glisser le capuchon d'extrémité **50**.
- À l'aide d'une clé hexagonale, retirez une vis à tête cylindrique **5** en veillant à évacuer tout l'air enfermé. Retirez la deuxième vis à tête cylindrique **5**.
- Retirez le bouchon arrière **47**.
- Retirez le piston de la mâchoire de queue **51** ainsi que les mâchoires **34**.
- Sortez le ressort **35** et le boîtier de la mâchoire **41**.
- Insérez un mandrin dans le trou de l'extrémité arrière du canon **44** jusqu'à ce qu'il sorte par l'avant du canon, puis retirez le mandrin et le curseur ensemble par l'avant.
- Réassemblez les composants dans l'ordre inverse.
- Insérez l'ensemble curseur mécanique **36** dans l'avant du canon, dans le bon sens.



### 4.4 CHARGEMENT ET RECHARGEMENT DE L'OUTIL

**IMPORTANT**

**La procédure de chargement de l'outil et de fixation de l'équipement de l'embout sur l'outil est intégrale.**

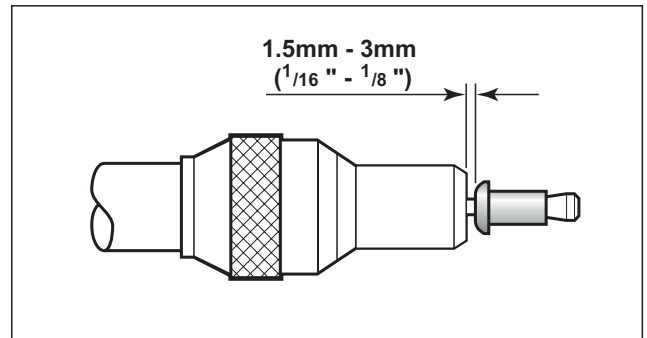
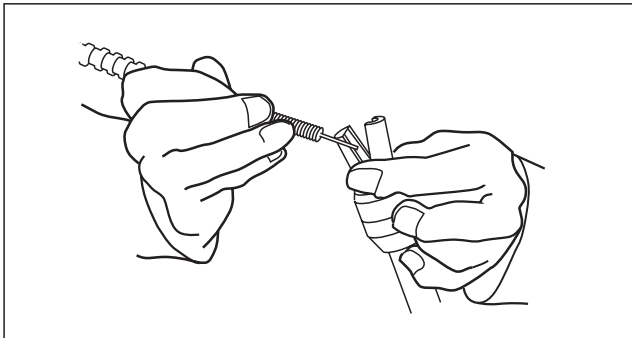
Si vous commandez un outil ou un système complet, vous recevrez normalement tout l'équipement d'embout requis pour la fixation à placer. Pour identifier les composants de l'équipement d'embout ou pour sélectionner les éléments corrects, consultez la section sur l'équipement d'embout, dans le manuel des accessoires (07900-09508).

Si vous avez reçu un mâchoire d'embout, des mandrins et des ressorts suiveurs de mandrin, chargez l'outil et installez l'embout comme indiqué au verso.

Les numéros de pièces **en gras** font référence au plan d'assemblage général et à la liste des pièces pour l'outil 07537-00200 aux pages 43-44.

#### 4.5 CHARGEMENT DE L'OUTIL

- Branchez l'alimentation en air à l'outil.
- Ouvrez les mâchoires de queue **34** qui saisissent le mandrin, en désactivant l'interrupteur des mâchoires de queue (éléments **22** et **23**).
- Vissez les mâchoires de l'embout sélectionné dans le canon **44** de l'outil.
- \* Insérez un mandrin dans l'extrémité de la queue des fixations à travers la capsule de papier.
- Faites glisser le ressort suiveur de mandrin sur le mandrin en veillant à l'orienter correctement, comme indiqué dans le tableau de la page 37.
- Saisissez l'extrémité de la queue du mandrin, déchirez la capsule de café autour des fixations.
- Ouvrez les mâchoires de l'embout soit en tournant l'anneau extérieur sur les mâchoires à came ou en poussant les extrémités des mâchoires vers l'extérieur, comme illustré ci-dessous à gauche.
- Insérez le mandrin, le ressort suiveur de mandrin et les fixations précédemment assemblés dans les mâchoires d'embout jusqu'à ce que la première fixation à placer dépasse de la mâchoire d'embout.
- Fermez les mâchoires d'embout et ajustez-les de manière à ce que la première fixation dépasse de 1,5 mm – 3 mm ( $\frac{1}{16}$  po à  $\frac{1}{8}$  po), comme le montre l'illustration ci-dessous à droite.
- Fermez les mâchoires de queue pour assurer la prise du mandrin, en activant l'interrupteur des mâchoires de queue (éléments **22** et **23**).



#### 4.6 RECHARGEMENT DE L'OUTIL

- Ouvrez les mâchoires de queue **34** de l'outil.
- Ouvrez les mâchoires d'embout et sortez le mandrin vide et le ressort suiveur de mandrin de l'outil.
- Rechargez l'outil en suivant les instructions ci-dessus, en commençant par l'étape •\*.

#### 4.7 MODE DE FONCTIONNEMENT

##### IMPORTANT

**Vous devez vérifier que l'orientation du curseur et l'équipement de l'embout sont corrects avant de tenter d'utiliser l'outil.**

- Poussez la fixation, qui dépasse des mâchoires de l'embout, à fond dans les trous de l'application en veillant à ce que l'outil soit maintenu à l'équerre.
- Actionnez la gâchette sans la relâcher – la tête du mandrin est tirée à travers la fixation, formant la fixation dans l'application.
- Retirez l'outil.
- Relâchez la gâchette. La fixation suivante sera automatiquement présentée par les mâchoires d'embout, prête à être placée.

#### 4.8 MISE EN PLACE DE L'ÉQUIPEMENT

Tous les équipements d'embout, mandrins, ressorts suiveurs et autres accessoires se trouvent dans le manuel des accessoires (numéro de pièce 07900-09508).

Les numéros de pièces **en gras** font référence au plan d'assemblage général et à la liste des pièces pour l'outil 07537-00200 aux pages 43-44.

## 5. ENTRETIEN DE L'OUTIL

Un entretien régulier doit être effectué et une inspection complète doit être effectuée annuellement ou chaque 500 000 cycles, selon ce qui est plus tôt.

### IMPORTANT

**L'employeur est responsable d'assurer que les instructions d'entretien sont données au personnel approprié. L'utilisateur doit ne pas s'impliquer dans l'entretien ou les réparations de l'outil à moins d'avoir été formé de façon appropriée.**

### 5.1 QUOTIDIENNEMENT

- Quotidiennement, avant l'utilisation ou lors de la première mise en service de l'outil. Versez quelques gouttes d'huile lubrifiante propre dans l'entrée d'air de l'outil si l'alimentation en air ne comporte pas de lubrificateur. Si l'outil est utilisé en permanence, le tuyau d'air doit être débranché de l'alimentation principale en air et l'outil doit être lubrifié toutes les deux ou trois heures.
- Vérifiez l'absence de fuites d'air et d'huile. S'ils sont endommagés, les tuyaux et les raccords doivent être remplacés.
- S'il n'y a aucun filtre sur le régulateur de pression, purgez la conduite d'air pour la nettoyer de la saleté ou de l'eau accumulée avant de connecter le tuyau d'air à l'insificateur. S'il y a un filtre, égouttez-le.
- Vérifiez que l'équipement d'embout est correct.
- Vérifiez régulièrement que les mandrins ne présentent pas de signes d'usure ou de détérioration; contrôlez le nombre de placements (consultez les consignes de sécurité à la page 28-30).
- Vérifiez que le capot de la base est bien serré sur le corps.

### 5.2 HEBDOMADAIRE

- Effectuez toutes les procédures « quotidienne » comme décrit ci-dessus.
- Retirez, inspectez, nettoyez et graissez les mâchoires de queue (reportez-vous à la section « Cylindre des mâchoires de queue » dans la section « Entretien » page 40).

**ATTENTION : Ne jamais utiliser de solvant ou d'autres produits chimiques forts pour le nettoyage des pièces non métalliques de l'outil. Ces produits chimiques peuvent affaiblir les matériaux utilisés dans ces pièces.**

### 5.3 GRAISSE AU LITHIUM MOLY EP 3753 – DONNÉES LIÉES À LA SÉCURITÉ

La graisse peut être commandée comme article séparé, la référence est indiquée sur la page des nécessaires d'entretien 39.

#### Premiers soins

##### PEAU :

Étant donné que la graisse est complètement résistante à l'eau, il vaut mieux l'enlever avec nettoyant émulsifiant pour la peau approuvé.

##### INGESTION :

Assurez-vous que la personne boive 30 ml de lait de magnésie, de préférence dans une tasse de lait.

##### YEUX :

Irritant, mais pas dangereux. Irriguez avec de l'eau et consultez un médecin.

#### Incendie

POINT D'ÉCLAIR : Au-dessus de 220 °C.

Non classé comme inflammable.

Moyens d'extinction appropriés : CO<sub>2</sub>, halon ou jet d'eau si appliqué par un utilisateur expérimenté.

#### Environnement

Rassemblez pour l'incinération ou l'élimination dans un site approuvé.

#### Manutention

Utilisez une crème barrière ou des gants résistant à l'huile

#### Entreposage

À l'écart de la chaleur et des oxydants.

## 5.4 GRAISSE MOLYKOTE® 55M – DONNÉES LIÉES À LA SÉCURITÉ

### Premiers soins

PEAU :

Rincez à l'eau. Essuyez.

INGESTION :

Aucun premier soin nécessaire.

YEUX :

Rincez à l'eau.

### Incendie

POINT D'ÉCLAIR : Au-dessus de 101,1 °C (en vase clos)

Propriétés explosives : Non

Moyens d'extinction appropriés : Mousse de dioxyde de carbone, poudre sèche ou jet d'eau fin.

L'eau peut être utilisée pour refroidir les contenants exposés au feu.

### Environnement

Ne laissez pas de grandes quantités pénétrer dans les égouts ou les eaux de surface.

Méthodes de nettoyage : Grattez et placez dans un conteneur approprié muni d'un couvercle. Le produit déversé produit une surface extrêmement glissante.

Nocif pour les organismes aquatiques et peut entraîner des effets néfastes à long terme pour l'environnement aquatique.

Cependant, en raison de la forme physique et de l'insolubilité dans l'eau du produit, la biodisponibilité est négligeable.

### Manutention

Une ventilation générale est recommandée. Évitez tout contact avec la peau et les yeux.

### Entreposage

Ne pas entreposer avec des oxydants. Gardez le contenant fermé et entreposé à l'abri de l'eau ou de l'humidité.

## 5.5 GRAISSE MOLYKOTE® 111 – DONNÉES LIÉES À LA SÉCURITÉ

### Premiers soins

PEAU :

Aucun premier soin nécessaire.

INGESTION :

Aucun premier soin nécessaire.

YEUX :

Aucun premier soin nécessaire.

INHALATION :

Aucun premier soin nécessaire.

### Incendie

POINT D'ÉCLAIR : Au-dessus de 101,1 °C (en vase clos)

Propriétés explosives : Non

Moyens d'extinction appropriés : Mousse de dioxyde de carbone, poudre sèche ou jet d'eau fin.

L'eau peut être utilisée pour refroidir les contenants exposés au feu.

### Environnement

Aucun effet indésirable n'est prévu.

### Manutention

Une ventilation générale est recommandée. Évitez le contact avec les yeux.

### Entreposage

Ne pas entreposer avec des oxydants. Gardez le contenant fermé et entreposé à l'abri de l'eau ou de l'humidité.

### 5.6 NÉCESSAIRES D'ENTRETIEN

Pour tous les entretiens, nous recommandons l'utilisation des nécessaires d'entretien suivants.

<b>NÉCESSAIRE D'ENTRETIEN : 07900-05300</b>			Les clés sont spécifiées en pouces et sur plats, sauf indication contraire.		
<b>N° DE PIÈCE DE L'ARTICLE</b>	<b>DESCRIPTION</b>	<b>N° OFF</b>	<b>N° DE PIÈCE DE L'ARTICLE</b>	<b>DESCRIPTION</b>	<b>N° OFF</b>
07900-00157	PINCES À ANNEAU DE RETENUE	1	07900-00352	CROCHET DE RETRAIT DU JOINT	1
07900-00006	SPATULE	1	07900-00710	CLÉ DE RETRAIT DU BOUCHON DU CANON	1
07900-00446	EXTRACTEUR	1	07900-00725	BALLE	1
07900-00603	MÂCHOIRES DE L'ÉTAU DU CANON	1	07900-00243	TOURNEVIS	1
07900-00520	TIGE DE DIAMÈTRE 3/8 po	1	07900-00717	CLÉ D'INTENSIFICATEUR	1
07900-00521	TIGE DE DIAMÈTRE 1/4 po	1	07900-00013	CLÉ HEXAGONALE DE 1/8 po	1
07900-00602	BALLE D'ASSEMBLAGE DU JOINT TORIQUE	1	07900-00617	BLOC MULTI-JOINTS LOCTITE® 574 50 ml	1
07900-00595	CLÉ de 18 mm	1	07900-00469	CLÉ HEXAGONALE de 2,5 mm	1
07900-00434	CLÉ de 32 mm	1	07900-00351	CLÉ HEXAGONALE de 3 mm	1
07900-00237	B-S-W- 3/8 po x 5/16 po CLÉ	1	07900-00224	CLÉ HEXAGONALE de 4 mm	1
07900-00012	CLÉ 9/16 po x 5/8 po	1	07900-00225	CLÉ HEXAGONALE de 5 mm	1
07900-00008	CLÉ 7/16 po x 1/2 po	1	07992-00020	GRAISSE AU LITHIUM TIN MOLY EP 3753 80 g	1

<b>NÉCESSAIRE D'ENTRETIEN : 71210-99990</b>			Les clés sont spécifiées en pouces et sur plats, sauf indication contraire.		
<b>N° DE PIÈCE DE L'ARTICLE</b>	<b>DESCRIPTION</b>	<b>N° OFF</b>	<b>N° DE PIÈCE DE L'ARTICLE</b>	<b>DESCRIPTION</b>	<b>N° OFF</b>
07900-00667	MANCHON DE PISTON	1	07900-00157	PINCES À ANNEAU DE RETENUE	1
07900-00692	EXTRACTEUR DE VANNE À GÂCHETTE	1	07900-00008	CLÉ 7/16 po x 1/2 po	1
07900-00670	BALLE	1	07900-00012	CLÉ 9/16 po x 5/8 po	1
07900-00672	CLÉ ENT	1	07900-00015	CLÉ 5/8 po x 11/16 po	1
07900-00706	CENTRAGE MÂLE	1	07900-00686	CLÉ À GOUJON	1
07900-00684	TUBE-GUIDE	1	07900-00677	EXTRACTEUR DE JOINT	1
07900-00685	TIGE D'INSERTION	1	07900-00698	ÉCROU D'ARRÊT	1
07900-00351	CLÉ HEXAGONALE DE 3 MM	1	07900-00700	POMPE D'AMORÇAGE	1
07900-00469	CLÉ HEXAGONALE DE 2,5 MM	1	07992-00020	GRAISSE – MOLY LITHIUM E.P.3753	1
07900-00158	CHASSE-GOUPILLES DE 2 MM	1	07992-00075	GRAISSE – MOLYKOTE® 55M	1
			07900-00775	GRAISSE – MOLYKOTE® 111	1

## 6. ENTRETIEN

L'outil doit être complètement démonté tous les 500 000 cycles et des composants neufs doivent être utilisés s'ils sont usés, endommagés ou lorsque cela est recommandé. Tous les joints toriques et les joints d'étanchéité doivent être renouvelés et lubrifiés avec de la graisse Molykote® 55m pour les joints pneumatiques ou Molykote® III pour les joints hydrauliques.

### IMPORTANT

**Les consignes de sécurité figurent à la page 28-30.**

**L'employeur est responsable d'assurer que les instructions d'entretien sont données au personnel approprié. L'utilisateur doit ne pas s'impliquer dans l'entretien ou les réparations de l'outil à moins d'avoir été formé de façon appropriée.**

La conduite d'air doit être débranchée avant toute tentative d'entretien ou de démontage, sauf instructions contraires spécifiques.

Il est recommandé que toute opération de démontage soit effectuée dans des conditions propres.

Avant de démonter l'outil, vous devrez retirer l'équipement d'embout.

Pour un entretien complet de l'outil, nous vous conseillons de procéder au démontage des sous-ensembles dans l'ordre indiqué.

Les substances potentiellement dangereuses qui peuvent s'être déposées sur la machine à la suite de processus de travail doivent être éliminées avant l'entretien.

### 6.1 DÉMONTAGE DE 07537-00200

#### RETRAIT DES MOULURES DE TÊTE

- Basculez manuellement l'attache **48** vers le haut et retirez le capuchon d'extrémité **50**.
- À l'aide d'une clé hexagonale\*, retirez les trois vis de fixation **2** et les écrous **7** de l'ensemble du corps de l'outil et une vis **97** de la moulure du corps gauche **60**.
- Retirez les moulures de corps **59** et **60** de droite et de gauche.
- Montez dans l'ordre inverse du démontage.

#### ASSEMBLAGE DU PISTON PNEUMATIQUE

- Serrez le corps **72** de l'outil inversé sur les bossages d'entrée d'air dans un étau équipé de mâchoires souples.
- Retirez le soufflet en caoutchouc **67**.
- A l'aide de la clé à goujon\*, dévissez le capot de base **73**.
- Dévissez les contre-écrous **6** (2 pièces) et retirez la plaque de base **77**.
- Retirez la chemise de cylindre **75**, ainsi que les rondelles d'étanchéité **78** (2 pièces) et les joints toriques **9** (2 pièces).
- Retirez le piston pneumatique **58** du corps **72** avec le joint torique, le joint à lèvres (3 pièces) et la bague de guidage.
- Assemblez dans l'ordre inverse.

#### ASSEMBLAGE DU TIROIR DE LA VANNE

- Retirez le piston pneumatique **58** et le joint d'étanchéité de l'intensificateur **71** comme décrit ci-dessus.
- À l'aide de la clé en T\* et du centrage mâle\*, dévissez l'écrou de serrage **64** et retirez-le avec la plaque supérieure **76**, les tirants **74** et l'ensemble de tube de transfert **69**.
- Libérez l'outil de l'étau et séparer le corps **72** avec le joint torique **20** de l'ensemble de poignée **57**.
- Retirez l'ensemble tête **56** de l'ensemble poignée **57** et retirez le joint torique **19** du tube intensificateur.
- Retirez le siège de la vanne **62**, ainsi que les deux joints toriques **18** (2 pièces).
- Retirez tous les composants du tiroir de la vanne **68**.
- Enfin, retirez le joint torique **18** du contre-alésage de la poignée.
- Assemblez dans l'ordre inverse du démontage en veillant à ce que l'orifice central du siège de vanne **62** soit orienté vers le haut, en direction du joint torique **17**.

\* Fait référence aux éléments inclus dans les nécessaires d'entretien 07900-05300 et 71210-99990. Pour la liste complète, voir page 39.

Tous les numéros **en gras** font référence à l'assemblage général et à la liste des pièces dans les pages 43-44.



**GÂCHETTE**

- À l'aide du chasse-goupilles de 2 millimètres de diamètre\*, sortez la goupille de gâchette **65** et soulevez la gâchette **61**.
- Dévissez la vanne à gâchette **24** à l'aide de l'extracteur de vanne à gâchette\*.
- Assemblez dans l'ordre inverse du démontage.

**CYLINDRE DE MÂCHOIRES DE QUEUE**

- À l'aide d'une clé hexagonale\*, retirez une vis à tête cylindrique **5** en vous assurant que l'air emprisonné dans le cylindre des mâchoires de queue est évacué. Retirez la deuxième vis à tête cylindrique **5**.
- Retirez le bouchon arrière **47**.
- Retirez les composants de la mâchoire de queue à air, comprenant le piston de la mâchoire de queue **51**, le ressort **35**, les mâchoires **34** et le boîtier de la mâchoire **41**.
- Retirez le bouchon à l'arrière du piston à l'aide d'une clé hexagonale\* et d'une barre à travers la grande fente de la tourelle.
- Nettoyez la tourelle à l'aide d'un foret de 4,7 mm (3/16 po) et remettez le bouchon en place en utilisant un composé d'étanchéité non durcissant, par exemple Loctite® Multi-gasket 574\*.
- Retirez le joint torique du piston **10**.
- Saisissez le canon **44** dans un étau en utilisant des mâchoires souples\* pour éviter de l'endommager.
- À l'aide d'une clé plate\*, dévissez le bouchon du canon **45**, en empêchant le canon **44** de tourner à l'aide d'une clé à fourche\*.
- Débranchez le tube en accordéon de la mâchoire de queue **54** de l'ensemble de la tête et retirez le cylindre des mâchoires de queue **46** de l'outil.
- Retirez le joint torique **13**, la bande de frottement **40** et le ressort de retour du canon **37**.
- La longueur libre du ressort **35** doit être de 38,1 mm (1,5 po). Remplacez-les si nécessaire.
- Appliquez de la graisse Moly Lithium sur les mâchoires de queue avant de les assembler.
- Montez dans l'ordre inverse du démontage.

**PISTON HYDRAULIQUE**

- Retirez le cylindre **46** de la mâchoire de queue comme décrit précédemment.
- Saisissez l'ensemble de la tête **56** dans un étau en utilisant des mâchoires souples\* pour éviter tout dommage, défaites le limiteur de course **39**.
- À l'aide d'une clé hexagonale\*, desserrez la vis **3** qui serre le bloc d'interrupteurs **55** sur le canon **44**.
- À l'aide d'une clé hexagonale\*, retirez le bloc d'interrupteurs **55** et le joint torique **21**, en défaisant la vis de fixation **4**.
- Tenez fermement l'outil et retirez le canon **44** du corps (une petite quantité d'huile hydraulique peut être éjectée de l'intérieur du corps).
- Retirez le piston **38** avec précaution afin de ne pas endommager l'alésage du corps.
- Retirez le joint à lèvres **15**.
- Le joint à lèvres **16** est difficile à retirer sans l'endommager, mais il peut rester en place pendant le nettoyage (à condition qu'il ne soit pas affecté par le processus de nettoyage). Si toutefois le joint à lèvres **16** doit être remplacé, procéder comme suit :
- À l'aide d'une spatule\*, retirez le joint à lèvres **16** de l'ensemble de tête **56**, en veillant à ne pas endommager la cavité et les alésages de la tête. Le joint à lèvres **16** retiré DOIT être mis au rebut.
- Pour remplacer le joint à lèvres **16**, dévissez l'ensemble bouchon de purge existant **43** jusqu'à ce que la face intérieure soit au niveau de l'alésage interne de l'ensemble de tête **56**. Cela permet d'obtenir un passage lisse pour l'insertion du nouveau joint à lèvres **16** à travers l'arrière du corps.
- Assurez-vous que le joint à lèvres **16** est bien graissé et dans le bon sens, l'extrémité ouverte du joint faisant face aux mâchoires de queue arrière.
- Terminez le montage dans l'ordre inverse du démontage.

\* Fait référence aux éléments inclus dans les nécessaires d'entretien 07900-05300 et 71210-99990. Pour la liste complète, voir page 39.

Tous les numéros **en gras** font référence à l'assemblage général et à la liste des pièces dans les pages 43-44.

**VANNE MARCHE/ARRÊT POUR MÂCHOIRES DE QUEUE**

- L'unité est conçue de manière à ce qu'un minimum d'entretien soit nécessaire pendant la durée de vie de l'outil.
- S'il est nécessaire de démonter la vanne, procédez comme suit :
- Retirez le bloc d'interrupteurs **55** comme décrit dans la section « Piston hydraulique ».
- À l'aide d'un tournevis\*, retirez avec précaution la rondelle chromée **22** de la bobine **49** de la mâchoire de queue d'air et jetez la rondelle.
- Retirez la bobine de la mâchoire de queue d'air **49** du bloc d'interrupteur **55**.
- En prenant soin de ne pas endommager la bobine de la mâchoire de queue d'air **49**, retirez les joints toriques **11**.
- Nettoyez la bobine et remontez les nouveaux joints toriques **11** à l'aide de la balle de montage\* et insérez-les dans le bloc de l'interrupteur **55**, en respectant leur orientation.
- Montez la nouvelle rondelle chromée **22** en la serrant dans un étau à mâchoires souples pour éviter de l'endommager. N'UTILISEZ PAS DE FORCE EXCESSIVE.
- Terminez le montage dans l'ordre inverse du démontage.

**POIGNÉE ET CAPUCHON D'EXTRÉMITÉ**

- Nettoyez et inspectez les moules pour détecter les fissures ou autres dommages.

**CURSEUR**

- Nettoyez et huilez de temps en temps le curseur mécanique **36** avec un peu d'huile légère.

**6,2 PROTÉGER L'ENVIRONNEMENT**

Assurez-vous de la conforme aux réglementations applicables sur l'élimination. Éliminez tous les déchets dans une installation ou un site de gestion des déchets approuvé afin de ne pas exposer le personnel et l'environnement aux dangers.

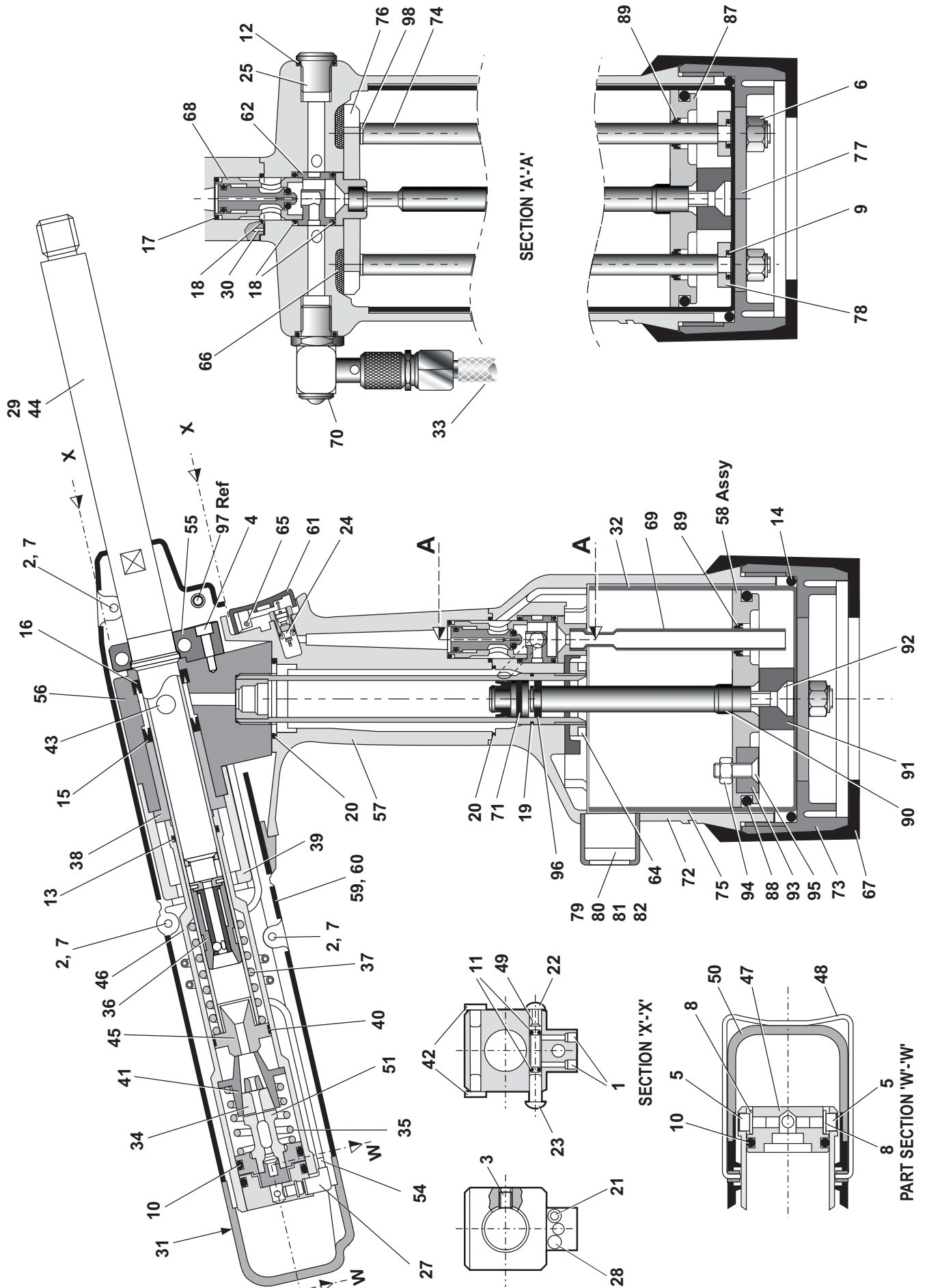
**IMPORTANT**

**Vérifiez l'outil par rapport à l'entretien quotidien et hebdomadaire.  
L'amorçage est TOUJOURS nécessaire après le démontage de l'outil et avant son utilisation.**

\* Fait référence aux éléments inclus dans les nécessaires d'entretien 07900-05300 et 71210-99990. Pour la liste complète, voir page 39.

Tous les numéros **en gras** font référence à l'assemblage général et à la liste des pièces dans les pages 43-44.

6.3 ASSEMBLAGE GÉNÉRAL DE L'OUTIL 07537-00200



## 6.4 LISTE DE PIÈCES POUR L'OUTIL 07537-00200

LISTE DES PIÈCES 07537-00200													
ARTICLE	N° DE LA PIÈCE	DESCRIPTION	QTE	PIÈCES DE RECHANGE	N° DE LA PIÈCE	DESCRIPTION	QTE	PIÈCES DE RECHANGE	ARTICLE	N° DE LA PIÈCE	DESCRIPTION	QTE	PIÈCES DE RECHANGE
01	07001-00223	VIS SANS TÊTE LONGUE SKT HD M4x5	2	-	34	MÂCHOIRES	2	2	67	71210-02055	SOUFFLET EN CAOUTCHOUC	1	-
02	07001-00401	VIS A TÊTE LONGUE SKT HD M4 x 10	3	-	35	RESSORT	1	-	68	71210-03400	ASSEMBLAGE DU TIROIR DE LA VANNE	1	-
03	07001-00404	ENSEMBLE DE VIS LONGUE SKT HD M5 x 6	1	-	36	CURSEUR MÉCANIQUE	1	-	69	07537-00810	ENSEMBLE DE TUBE DE TRANSEERT	1	-
04	07001-00445	VIS A TÊTE LONGUE SKT HD M4 x 15	1	-	37	RESSORT DE RETOUR DU CANON	1	-	70	71210-03700	ASSEMBLAGE DE VANNE MARCHÉ/ARRÊT	1	-
05	07001-00504	VIS A TÊTE LONGUE SKT HD M4 x 6	2	2	38	PISTON	1	-	71	71210-03800	ASSEMBLAGE DU JOINT DE L'INTENSIFICATEUR	1	-
06	07002-00108	ÉCROU NYLOK M6	2	-	39	LIMITEUR DE COURSE	1	-	72	71211-02001	CORPS USINÉ	1	-
07	07002-00134	ÉCROU HEXAGONAL M4	3	-	40	BANDE DE FROTTEMENT	1	1	73	71211-02002	CAPOT DE BASE USINÉ	1	-
08	07002-00153	RONDELLE (EN PLASTIQUE) M4	2	-	41	BOÎTIER DE MÂCHOIRES	1	-	74	71211-02004	TIRANTS	2	-
09	07003-00027	JOINT TORIQUE	2	-	42	BOUCHON DE FERMETURE	2	-	75	71211-02008	CHEMISE DE CYLINDRE	1	-
10	07003-00113	JOINT TORIQUE	2	2	43	ENSEMBLE DE BOUTON DE PURGE (articles 83 à 86)	1	-	76	71213-02010	ASSEMBLAGE DE LA PLAQUE SUPÉRIEURE	1	-
11	07003-00121	JOINT TORIQUE	2	2	44	CANON	1	-	77	71221-02005	PLAQUE DE BASE	1	-
12	07003-00127	JOINT TORIQUE	1	-	45	BOUCHON DE CANON	1	-	78	71221-02006	RONDELLE D'ÉTANCHÉITÉ	2	-
13	07003-00167	JOINT TORIQUE	1	1	46	CYLINDRE DE MÂCHOIRES DE QUEUE	1	-	79	71221-20101	CONTRE-MOULAGE	1	-
14	07003-00418	JOINT TORIQUE	2	-	47	BOUCHON ARRIÈRE	1	-	80	71221-20102	VIS SPÉCIALE M4	2	-
15	07003-00236	JOINT À LÈVRES (DYNAMIQUE)	1	1	48	ATTACHE	1	-	81	71221-20103	ÉCROU DE RETENUE DU MOULE	2	-
16	07003-00237	JOINT À LÈVRES (STATIQUE)	2	-	49	BOBINE DE MÂCHOIRES DE QUEUE D'AIR	1	-	82	71221-20105	COMPTEUR MODIFIÉ	1	-
17	07003-00271	JOINT TORIQUE	1	-	50	CAPUCHON D'EXTRÉMITÉ	1	-	83	07003-00142	BAGUE COMPOSITE	1	1
18	07003-00281	JOINT TORIQUE	3	-	51	ASSEMBLAGE DE PISTON DE MÂCHOIRES DE QUEUE	1	-	84	07003-00194	BAGUE COMPOSITE	1	1
19	07003-00287	JOINT TORIQUE	1	-	52	ÉTIQUETTE (NON ILLUSTRÉE)	2	-	85	07001-00442	VIS	1	-
20	07003-00288	JOINT TORIQUE	2	-	53	ÉTIQUETTE (NON ILLUSTRÉE)	1	-	86	07530-00501	BOUCHON	1	-
21	07003-00383	JOINT TORIQUE (1/8 po)	2	-	54	TUBE ACCORDEON À MÂCHOIRES EN QUEUE D'AIR	1	-	87	71211-03201	PISTON	1	-
22	07004-00058	RONDELLE ÉTOILE CHROMÉE 1/8 po	1	-	55	BLOC D'INTERRUPTEURS	1	-	88	07003-00280	JOINT TORIQUE	1	1
23	07004-00059	RONDELLE STAR-LOCK NOIR 1/8 po	1	-	56	ENSEMBLE DE TÊTE	1	-	89	07003-00274	JOINT D'ÉTANCHÉITÉ/RACLEUR	3	-
24	07005-00088	VANNE À GÂCHETTE	1	-	57	ENSEMBLE DE POIGNÉE	1	-	90	71211-03202	TIGE D'INTENSIFICATEUR	1	-
25	07005-01274	BOUCHON BSP 1/8 po	1	-	58	PISTON PNEUMATIQUE (articles 87 à 96)	1	-	91	07537-00501	ENTRETOISE	1	-
26					59	ENSEMBLE DE MOULURE DE CORPS, CÔTÉ DROIT, 07537	1	-	92	07001-00411	VIS À TÊTE CYLINDRIQUE M6x25	1	-
27	07005-01972	RACCORD FILETÉ DE TYPE L	1	-	60	ENSEMBLE DE MOULURE DE CORPS, CÔTÉ GAUCHE, 07537	1	-	93	07007-01993	AIMANT À PÔLE CENTRAL	1	-
28	07005-10057	VANNE ANTIRETOUR	1	-	61	GÂCHETTE	1	-	94	07002-00098	ÉCROU NYLOK M5	1	-
29	07007-00017	CAPUCHON ANTI-POUSSIÈRE	1	-	62	SIÈGE DE VANNE	1	-	95	71221-20104	VIS CYLINDRIQUE M5x19	1	-
30	07007-00224	GOUILLE EN SPIRALE LONGUE DIA. 3 x 10	2	-	63				96	71210-03205	BAGUE DE GUIDAGE	1	-
31	73200-02022	ÉTIQUETTE DE SÉCURITÉ	1	-	64	ÉCROU DE SERRAGE	1	-	97	07001-00442	VIS DE BOUTON LONGUE SKT HD M5 x 6	1	-
32	07007-01504	ÉTIQUETTE « MARQUE CE » (NON ILLUSTRÉE)	1	-	65	GOUILLE DE GÂCHETTE	1	-	98	07002-00163	RONDELLE	2	-
33	07008-00010	TUYAU FLEXIBLE 6 po	1	-	66	SILENCIEUX	2	-					

## 7. AMORÇAGE

L'amorçage est TOUJOURS nécessaire après le démontage de l'outil et avant son utilisation. Il peut également être nécessaire de rétablir la course complète après une utilisation considérable, lorsque la course peut être réduite et que les fixations ne sont pas entièrement placées par une seule opération de la gâchette.

### 7.1 DÉTAILS SUR L'HUILE

L'huile d'amorçage recommandée est Hyspin® VG 32, disponible en contenants de 0,5 l (référence 07992-00002) ou d'un gallon (référence 07992-00006).

Veillez trouver le tableau spécifique et les données de sécurité ci-dessous.

### 7.2 FICHES SIGNALÉTIQUES DES HUILES HYSPIN® VG 32 ET AWS

#### Premiers soins

##### PEAU :

Lavez soigneusement à l'eau et au savon dès que possible. Un contact occasionnel ne nécessite pas d'attention immédiate. Les contacts brefs ne nécessitent pas d'attention immédiate.

##### INGESTION :

Consultez immédiatement un médecin. NE provoquez PAS de vomissements.

##### YEUX :

Rincez immédiatement à l'eau pendant plusieurs minutes. Bien qu'il ne s'agisse PAS d'un irritant primaire, une irritation mineure peut se produire après contact.

#### Incendie

Point d'éclair : 232°C. Non classé comme inflammable.

Moyens d'extinction appropriés : CO<sub>2</sub>, poudre sèche, mousse ou eau pulvérisée. N'utilisez PAS de jets d'eau.

#### Environnement

ÉLIMINATION DES DÉCHETS : Par l'intermédiaire d'un entrepreneur autorisé, vers un site autorisé. Peut être incinéré. Le produit usagé peut être envoyé à la récupération.

DÉVERSEMENTS : Empêchez la pénétration dans les drains, les égouts et les cours d'eau. Épongez avec un matériau absorbant.

#### Manutention

Portez des lunettes de protection, des gants imperméables (par exemple en PVC) et un tablier en plastique. Utilisez dans un endroit bien ventilé.

#### Entreposage

Aucune précaution particulière.

### 7.3 POMPE D'AMORÇAGE

Pour vous permettre de suivre la procédure d'amorçage ci-contre, vous devrez vous procurer une pompe d'amorçage 07900-00700.

### 7.4 MODE D'AMORÇAGE

#### IMPORTANT

**DÉBRANCHEZ L'OUTIL DE L'ALIMENTATION EN AIR OU COUPEZ L'ALIMENTATION À LA VANNE 70.**  
**Toutes les opérations doivent être effectuées sur un établi propre, avec des mains propres et dans une zone propre.**

**Assurez-vous que l'huile neuve est parfaitement propre et exempte de bulles d'air.**  
**ASSUREZ-vous à tout moment qu'aucun corps étranger ne pénètre dans l'outil, sinon vous risquez de l'endommager gravement.**

- Retirez la vis de purge **85** et la bague composite **84**.
- Connectez l'alimentation en air à l'outil et mettez la vanne **70** en position « ON ».
- Inversez l'outil au-dessus d'un conteneur approprié et actionnez la gâchette. L'huile usagée sera éjectée par le trou de la vis de purge.

Tous les numéros **en gras** font référence au plan d'assemblage général et à la liste des pièces dans les pages 43 à 44.

**VEILLEZ À CE QUE L'ORIFICE DE PURGE NE SOIT PAS DIRIGÉ VERS L'OPÉRATEUR OU D'AUTRES PERSONNES.**

- Déconnectez l'alimentation en air à l'outil et mettez la vanne **70** en position « OFF ».
- Remplissez la pompe d'amorçage avec de l'huile.
- Vissez la pompe d'amorçage 07900-00700 dans le trou de la vis de purge avec la bague composite **84** en place.
- Actionnez la pompe d'amorçage en appuyant et en relâchant plusieurs fois jusqu'à ce que vous sentiez une résistance.
- Retirez la pompe d'amorçage.
- Remplacez la vis de purge **85** et la bague composite **84**.
- Connectez l'alimentation en air à l'outil et mettez la vanne **70** en position « ON ».
- Vérifiez si la course de l'outil respecte la caractéristique minimum de 30 millimètres. Pour vérifier la course, mesurez la distance entre l'arrière du cylindre des mâchoires de queue et les moulures du corps, AVANT d'appuyer sur la gâchette et lorsque la gâchette est complètement actionnée. La course est la différence entre les deux mesures. Si elle n'est pas conforme aux spécifications minimales, répétez la procédure d'amorçage.

## 8. DIAGNOSTIC DE PANNE

PROBLÈME	CAUSE POSSIBLE	SOLUTION	RÉFÉRENCE PAGE
L'outil ne posera pas la fixation	Pression d'air faible.	Augmentez la pression d'air	
	Manque de lubrification.	Lubrifiez l'outil au point d'entrée d'air	
	Charge de broches élevée.	Vérifiez la saisie des fixations et la taille de trous de l'application	
	Vérifiez si c'est la bonne taille de mandrin.		
	Mâchoires de la queue usées ou brisées.	Nouvelles mâchoires de queue	
	Mâchoires de queue désactivées.	Activez les mâchoires de queue.	
	Air dans le système hydraulique.	Voir « Procédure d'amorçage ».	45
« Glissement du mandrin » – les mâchoires ne saisissent pas le mandrin	Mâchoires de la queue usées ou sales	Nettoyez ou renouvelez au besoin	
	' Pression ou volume d'air insuffisant.	Augmentez la pression ou le volume d'air	
	' Interrupteur de mâchoires de queue non fonctionnel.	Remplacez l'interrupteur	
	' Fuites d'air dans les mâchoires de queue.	Remplacez les joints toriques <b>10</b> sur l'ensemble du piston <b>51</b>	
	Le mandrin est cassé et n'atteint pas les mâchoires de queue.	Remplacez le mandrin	
	Vanne antiretour défectueuse.	Remplacez la vanne antiretour.	
Les mâchoires ne libèrent pas le mandrin	Mâchoires de queue ou boîtier de mâchoires encrassés.	Nettoyez et lubrifiez.	
	Interrupteur de mâchoires de queue défectueux.	Remplacez les joints toriques	
Les fixations ne s'insèrent pas dans les mâchoires de l'embout	Les mâchoires de queue ne sont pas activées.	Activez les mâchoires de queue.	
	Mâchoires de la queue usées.	Renouvelez les mâchoires de queue	
	Mauvaise orientation du curseur	Replacez en vous assurant de la bonne direction	
	Mâchoires de l'embout incorrectes.	Placez correctement les mâchoires de l'embout	
	Le ressort suiveur du mandrin n'est pas fixé.	Fixez correctement le ressort suiveur du mandrin	
	Espace incorrect entre la tête de la fixation et les mâchoires de l'embout lorsque chargé.	Réglez l'espace de 1,5 mm à 3 mm (1/16 po à 1/8 po) Voir « Chargement de l'outil »	
	Le curseur colle.	Nettoyez et huilez le curseur	
	Ressort extérieur lâche autour du curseur.	Renouvelez le curseur	
	Mauvais ressort suiveur du mandrin fixé.	Fixez correctement le ressort suiveur du mandrin	
Usure excessive des mâchoires de la queue	Charge de broches élevée.	Vérifiez la taille et l'épaisseur des trous d'application et la capacité de saisie des fixations	
Alimenter plus d'une fixation à la fois	Glissement du mandrin.	Vérifiez comme pour le « Glissement du mandrin », étape 2	
	Espace incorrect entre la tête de la fixation et les mâchoires de l'embout lorsque chargé	Réglez l'espace de 1,5 mm à 3 mm (1/16 po à 1/8 po) Voir « Chargement de l'outil »	36

Les autres symptômes ou défaillances doivent être signalés au distributeur agréé ou au centre de réparation local de Stanley Engineered Fastening.

## 9. DÉCLARATION DE CONFORMITÉ CE

Nous, **Stanley Engineered Fastening, Stanley House, Works Road, Letchworth Garden City, Hertfordshire, SG6 1JY UNITED KINGDOM**, déclarons sous notre seule responsabilité que le produit :

**Description :** Outil de répétition hydro-pneumatique pour rivets rapides

**Modèle :** 07537

auquel cette déclaration est liée, est conforme aux normes harmonisées suivantes :

ISO 12100:2010	EN ISO 3744:2010
EN ISO 11202:2010	EN ISO 11148-1:2011
EN ISO 4413:2010	BS EN 28662-1:1993
EN ISO 4414:2010	EN ISO 20643:2008+A1:2012
EN ISO 28927-5:2009+A1:2015	ES100118-rév. 17:2017

La documentation technique est présentée conformément à l'annexe VII, conformément à la directive suivante : **2006/42/CE Directive sur les machines** (Instruments statutaires 2008 No 1597 - La fourniture de machines (sécurité) faisant référence à la réglementation).

Le signataire fait cette déclaration au nom de STANLEY Engineered Fastening



**A. K. Seewraj**

**Directeur du génie, Royaume-Uni**

Avdel UK Limited, Stanley House, Works Road, Letchworth Garden City, Hertfordshire, SG6 1JY ROYAUME-UNI

**Lieu d'émission :** Letchworth Garden City, ROYAUME-UNI

**Date d'émission :** 01-01-2021

Le signataire est responsable de la compilation du fichier technique pour les produits vendus dans l'Union européenne et fait cette déclaration au nom de Stanley Engineered Fastening.

**Matthias Appel**

**Chef d'équipe Documentation technique**

Stanley Engineered Fastening, Tucker GmbH, Max-Eyth-Str.1, 35394 Gießen, Allemagne



Cet équipement est conforme aux  
directive sur l'équipement 2006/42/CE

**STANLEY**  
Engineered Fastening



## 10. DÉCLARATION DE CONFORMITÉ R-U

Nous, **Stanley Engineered Fastening, Stanley House, Works Road, Letchworth Garden City, Hertfordshire, SG6 1JY UNITED KINGDOM**, déclarons sous notre seule responsabilité que le produit :

**Description:** Outil de répétition hydro-pneumatique pour rivets rapides

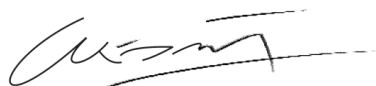
**Modèle :** 07537

auquel cette déclaration est liée, est conforme aux normes désignées suivantes :

ISO 12100:2010	EN ISO 3744:2010
EN ISO 11202:2010	EN ISO 11148-1:2011
EN ISO 4413:2010	BS EN 28662-1:1993
EN ISO 4414:2010	EN ISO 20643:2008+A1:2012
EN ISO 28927-5:2009+A1:2015	ES100118-rév. 17:2017

La documentation technique est compilée conformément aux réglementations sur la Fourniture de machines (sécurité) 2008, S.I. 2008/1597 (telle qu'amendée).

Le signataire fait cette déclaration au nom de STANLEY Engineered Fastening



**A. K. Seewraj**

**Directeur du génie, Royaume-Uni**

Avdel UK Limited, Stanley House, Works Road, Letchworth Garden City, Hertfordshire, SG6 1JY ROYAUME-UNI

**Lieu d'émission :** Letchworth Garden City, ROYAUME-UNI

**Date d'émission :** 01-01-2021



Cet équipement est conforme aux réglementations sur la Fourniture de machines (sécurité) 2008, S.I. 2008/1597 (telle qu'amendée).

## 11. PROTÉGEZ VOTRE INVESTISSEMENT!

### **GARANTIE SUR LES OUTILS À RIVETS AVEUGLES Stanley® Engineered Fastening**

STANLEY® Engineered Fastening garantit que tous les outils électriques ont été soigneusement fabriqués et qu'ils sont exempts de tout défaut de matériaux et de main-d'œuvre en utilisation normale et l'entretien pendant une période de un (1) an.

Cette garantie s'applique au premier acheteur de l'outil pour l'utilisation originale seulement.

#### **Exclusions :**

##### **Usure normale.**

L'entretien périodique, les réparations et les pièces de remplacement dus à l'usure normale sont exclus de la couverture.

##### **Abus et mauvaise utilisation.**

Une défektivité ou des dommages résultant d'une utilisation inappropriée, d'entreposage, d'une mauvaise utilisation, d'un abus ou d'une négligence, comme des dommages physiques sont exclus de la couverture.

##### **Service ou modification non autorisé.**

Les défektivités ou les dommages résultant d'un service, d'un ajustement de test, d'une installation, d'un entretien, d'une altération ou d'une modification de quelque façon et par quiconque autre STANLEY® Engineered Fastening ou ses centres de services autorisés, sont exclus de la couverture.

Toutes les autres garanties, qu'elles soient expresses ou implicites, incluant toute garantie de qualité marchande et d'adaptation sont par la présente exclues.

Si cet outil ne respecte pas la garantie, retournez rapidement l'outil à l'emplacement du centre de services autorisés le plus près. Pour une liste des centres de services autorisés STANLEY® Engineered Fastening aux États-Unis ou au Canada, contactez-nous à notre ligne sans frais au (877) 364-2781.

À l'extérieur des États-Unis et du Canada, visitez notre site Web **[www.StanleyEngineeredFastening.com](http://www.StanleyEngineeredFastening.com)** pour trouver votre emplacement STANLEY Engineered Fastening le plus près.

STANLEY Engineered Fastening remplacera alors, sans aucuns frais, une ou des pièces trouvées par nous comme étant défectueuses en raison d'un défaut de fabrication et matériau ou de main-d'œuvre et retournera l'outil prépayé. Cela représente notre seule obligation sous cette garantie.

En aucun cas STANLEY Engineered Fastening ne sera tenu responsable de tout dommage consécutif ou spécial découlant de l'achat ou de l'utilisation de cet outil.

#### **Enregistrez votre outil de rivets aveugles en ligne.**

Pour enregistrer votre garantie en ligne, consultez notre site

<https://www.stanleyengineeredfastening.com/support/warranty-registration-form>

Merci d'avoir choisi un outil de la marque Stanley Assembly Technologies de STANLEY® Engineered Fastening.

©2021 STANLEY Black & Decker  
 Todos los derechos reservados.

La información proporcionada no puede ser reproducida y/o hecha pública de ninguna manera y por ningún medio (electrónico o mecánico) sin el permiso explícito y por escrito previo de STANLEY Engineered Fastening. La información proporcionada se basa en los datos conocidos en el momento de la introducción de este producto. STANLEY Engineered Fastening sigue una política de mejora continua del producto y, por lo tanto, los productos pueden estar sujetos a cambios. La información proporcionada es aplicable al producto tal como lo entrega STANLEY Engineered Fastening. Por lo tanto, STANLEY Engineered Fastening no se responsabiliza por ningún daño que resulte de desviaciones de las especificaciones originales del producto.

La información disponible se redactó con el mayor cuidado. Sin embargo, STANLEY Engineered Fastening no aceptará ninguna responsabilidad con respecto a cualquier falta en la información ni por las consecuencias de la misma. STANLEY Engineered Fastening no aceptará ninguna responsabilidad por daños resultantes de actividades realizadas por terceros. Los nombres de trabajo, nombres comerciales, marcas registradas, etc. utilizados por STANLEY Engineered Fastening no deben considerarse como gratuitos, de conformidad con la legislación con respecto a la protección de marcas comerciales.

<b>1. DEFINICIONES DE SEGURIDAD .....</b>	<b>52</b>
1.1 REGLAS GENERALES DE SEGURIDAD .....	52
1.2 PELIGROS DE PROYECTILES .....	52
1.3 PELIGROS DE OPERACIÓN .....	53
1.4 RIESGOS DE MOVIMIENTOS REPETITIVOS .....	53
1.5 RIESGOS DE ACCESORIOS .....	53
1.6 RIESGOS DEL LUGAR DE TRABAJO .....	53
1.7 RIESGOS DE RUIDO .....	54
1.8 RIESGOS DE VIBRACIÓN .....	54
1.9 INSTRUCCIONES ADICIONALES DE SEGURIDAD PARA HERRAMIENTAS ELECTRONEUMÁTICAS .....	54
<b>2. ESPECIFICACIONES .....</b>	<b>55</b>
2.1 ESPECIFICACIÓN PARA HERRAMIENTA 07537 .....	55
2.2 DIMENSIONES DE HERRAMIENTA .....	55
<b>3. INTENCIÓN DE USO.....</b>	<b>56</b>
<b>4. PUESTA EN SERVICIO .....</b>	<b>57</b>
4.1 SUMINISTRO DE AIRE .....	57
4.2 CURSORES MECÁNICOS .....	58
4.3 CURSOR .....	59
4.4 CARGA Y RECARGA DE LA HERRAMIENTA.....	59
4.5 CARGA DE LA HERRAMIENTA.....	60
4.6 RECARGA DE LA HERRAMIENTA.....	60
4.7 PROCEDIMIENTO DE OPERACIÓN .....	60
4.8 EQUIPO DE COLOCACIÓN .....	60
<b>5. SERVICIO DE HERRAMIENTA .....</b>	<b>61</b>
5.1 Diariamente .....	61
5.2 Semanalmente.....	61
5.3 DATOS DE SEGURIDAD DE GRASA DE LITIO MOLIBDENO EP 3753 .....	61
5.4 DATOS DE SEGURIDAD DE GRASA MOLYKOTE® 55M .....	62
5.5 DATOS DE SEGURIDAD DE GRASA MOLYKOTE® 111 .....	62
5.6 JUEGOS DE SERVICIO .....	63
<b>6. MINTENIMIENTO .....</b>	<b>64</b>
6.1 DESMANTELAMIENTO DE 07537-00200 .....	64
6.2 PROTECCIÓN DEL AMBIENTE .....	66
6.3 ENSAMBLE GENERAL DE HERRAMIENTA 07537-00200 .....	67
6.4 LISTA DE PARTES PARA HERRAMIENTA 07537-00200.....	68
<b>7. CEBADO .....</b>	<b>69</b>
7.1 DETALLES DE ACEITE.....	69
7.2 DATOS DE SEGURIDAD DE ACEITE HYSPI® VG 32 Y AWS .....	69
7.3 BOMBA DE CEBADO .....	69
7.4 PROCEDIMIENTO DE CEBADO .....	69
<b>8. DIAGNÓSTICO DE FALLA .....</b>	<b>71</b>
<b>9. DECLARACIÓN DE CONFORMIDAD EC .....</b>	<b>72</b>
<b>10. DECLARACIÓN DE CONFORMIDAD DEL REINO UNIDO .....</b>	<b>73</b>
<b>11. ¡PROTEJA SU INVERSIÓN!.....</b>	<b>74</b>



Cualquier persona que instale u opere esta herramienta debe leer este manual de instrucciones, prestando especial atención a las siguientes reglas de seguridad.



Siempre use protección ocular resistente a impactos durante el funcionamiento de la herramienta. El grado de protección requerido debe evaluarse para cada uso.







El uso de la herramienta puede exponer las manos del operador a riesgos, incluyendo aplastamiento, impacto, cortes, abrasiones y calor. Use guantes adecuados para protegerse las manos.



Use protección auditiva de acuerdo con las instrucciones del empleador y conforme lo exijan las normas de seguridad y salud ocupacional.

## 1. DEFINICIONES DE SEGURIDAD

Las siguientes definiciones describen el nivel de severidad para cada palabra de señal. Por favor lea el manual y ponga atención a estos símbolos.

-  **PELIGRO:** Indica una situación de peligro inminente que, si no se evita, causará la muerte o lesiones graves.
-  **ADVERTENCIA:** Indica una situación potencialmente peligrosa que, de no evitarse, podría causar la muerte o lesiones graves.
-  **PRECAUCIÓN:** Indica una situación potencialmente peligrosa que, si no se evita, puede resultar en lesiones menores o moderadas.
-  **PRECAUCIÓN:** Usado sin el símbolo de alerta de seguridad indica una situación potencialmente peligrosa que, si no se evita, puede resultar en daño a la propiedad.

***La operación o el mantenimiento incorrectos de este producto podrían provocar lesiones graves y daños materiales. Lea y comprenda todas las advertencias e instrucciones de funcionamiento antes de usar este equipo. Al usar herramientas eléctricas, siempre se deben seguir las precauciones básicas de seguridad para reducir el riesgo de lesiones personales.***

### GUARDE TODAS LAS ADVERTENCIAS E INSTRUCCIONES PARA REFERENCIA FUTURA

#### 1.1 REGLAS GENERALES DE SEGURIDAD

- Para riesgos múltiples, lea y comprenda las instrucciones de seguridad antes de instalar, operar, reparar, mantener, cambiar accesorios o trabajar cerca de la herramienta. De lo contrario, puede provocar lesiones corporales graves.
- Sólo operadores calificados y capacitados deben instalar, ajustar o usar la herramienta.
- NO la use fuera de la intención de diseño de colocar remaches ciegos de STANLEY Engineered Fastening.
- Use sólo partes, sujetadores y accesorios recomendados por el fabricante.
- NO modifique la herramienta. Las modificaciones pueden reducir la efectividad de las medidas de seguridad y aumentar los riesgos para el operador. Cualquier modificación a la herramienta realizada por el cliente será bajo su completa responsabilidad y anulará cualquier garantía aplicable.
- No deseche las instrucciones de seguridad; proporciónelas al operador.
- No use la herramienta si se ha dañado.
- Antes de usar, verifique la desalineación o atascamiento de las partes móviles, la ruptura de partes y cualquier otra condición que afecte la operación de la herramienta. Si está dañada, pida que reparen la herramienta antes de usarla. Retire cualquier llave de ajuste o llave inglesa antes de usar.
- Las herramientas se deberán revisar periódicamente para verificar que las clasificaciones y marcas requeridas por esta parte de ISO 11148 estén marcadas de manera legible en la herramienta. El empleador/usuario deberá ponerse en contacto con el fabricante para obtener etiquetas de marcado de reemplazo cuando sea necesario.
- La herramienta debe mantenerse en condiciones de trabajo seguras en todo momento y debe ser revisada en intervalos regulares respecto a daños y funcionamiento por parte de personal capacitado. Cualquier procedimiento de desmantelamiento será realizado sólo por personal capacitado. No desmonte esta herramienta sin referencia previa a las instrucciones de mantenimiento.

#### 1.2 PELIGROS DE PROYECTILES

- Desconecte la herramienta del suministro de aire antes de realizar cualquier mantenimiento, intentar ajustar, adaptar o retirar un ensamble de punta o accesorios.
- Tenga en cuenta que la falla de la pieza de trabajo o accesorios, o incluso de la herramienta insertada en sí, puede generar proyectiles de alta velocidad.
- Use siempre protección ocular resistente a impactos durante el funcionamiento de la herramienta. El grado de protección requerido debe evaluarse para cada uso.
- Los riesgos para otras personas también deben evaluarse en este momento.

- Asegúrese que la pieza de trabajo esté fija de forma segura.
- Verifique que los medios de protección contra la expulsión del sujetador y/o el mandril estén en su lugar y estén operativos.
- Advierta contra la posible expulsión forzada de mandriles desde el frente de la herramienta.
- NO opere una herramienta que esté dirigida hacia ninguna persona(s).

### 1.3 PELIGROS DE OPERACIÓN

- El uso de la herramienta puede exponer las manos del operador a riesgos, incluyendo aplastamiento, impacto, cortes, abrasiones y calor. Use guantes adecuados para protegerse las manos.
- Los operadores y el personal de mantenimiento deberán ser físicamente capaces de manejar el volumen, el peso y la potencia de la herramienta.
- Sostenga la herramienta correctamente; esté preparado para contrarrestar los movimientos normales o repentinos y tenga ambas manos disponibles.
- Mantenga las manijas de la herramienta secas, limpias y libres de aceite y grasa.
- Mantenga una posición equilibrada del cuerpo y una posición segura cuando opere la herramienta.
- Suelte el dispositivo de arranque y paro en caso de una interrupción del suministro hidráulico.
- Use sólo lubricantes recomendados por el fabricante.
- Debe evitarse el contacto con el fluido hidráulico. Para minimizar la posibilidad de irritación cutánea, se debe tener cuidado de lavar minuciosamente si se produce el contacto.
- Las hojas de datos de seguridad de materiales para todos los aceites y lubricantes hidráulicos están disponibles por solicitud en su proveedor de herramientas.
- Evite posturas inadecuadas ya que es probable que estas posiciones no permitan contrarrestar el movimiento normal o inesperado de la herramienta.
- Si la herramienta se fija a un dispositivo de suspensión, asegúrese que la fijación sea segura.
- Tenga cuidado con el riesgo de aplastamiento o pellizcarse si el equipo de punta no está instalado.
- NO opere la herramienta con la carcasa de la punta retirada.
- Se requiere un espacio libre adecuado para las manos del operador de la herramienta antes de continuar.
- Cuando transporte la herramienta de un lugar a otro, mantenga las manos alejadas del gatillo para evitar la activación accidental.
- NO abuse de la herramienta dejándola caer o utilizándola como martillo.
- Se debe tener cuidado para garantizar que los mandriles gastados no creen un peligro.

### 1.4 RIESGOS DE MOVIMIENTOS REPETITIVOS

- Al usar la herramienta, el operador puede experimentar molestias en las manos, brazos, hombros, cuello u otras partes del cuerpo.
- Mientras usa la herramienta, el operador debe adoptar una postura cómoda mientras mantiene una posición segura y evita posturas incómodas o desequilibradas. El operador debe cambiar la postura durante las tareas extendidas; esto puede ayudar a evitar molestias y fatiga.
- Si el operador experimenta síntomas como molestias persistentes o recurrentes, dolor, latidos, dolor, hormigueo, entumecimiento, sensación de ardor o rigidez, estas señales de advertencia no deben ignorarse. El operador debe informar al empleador y consultar a un profesional de la salud calificado.

### 1.5 RIESGOS DE ACCESORIOS

- Desconecte la herramienta del suministro de aire antes de instalar o retirar el ensamble de punta o accesorio.
- Utilice sólo tamaños y tipos de accesorios y consumibles recomendados por el fabricante de la herramienta; no use otros tipos o tamaños de accesorios o consumibles.

### 1.6 RIESGOS DEL LUGAR DE TRABAJO

- Los resbalones, tropiezos y caídas son las principales causas de lesiones en el lugar de trabajo. Tenga en cuenta las superficies resbaladizas causadas por el uso de la herramienta y también los riesgos de tropiezos causados por la línea de aire o la manguera hidráulica.
- Proceda con cuidado en un entorno desconocido. Puede haber riesgos ocultos, como electricidad u otras líneas de servicios públicos.
- La herramienta no está diseñada para usarse en atmósferas potencialmente explosivas y no está aislada contra el contacto con la energía eléctrica.
- Asegúrese que no haya cables eléctricos, tuberías de gas, etc., que puedan causar un peligro si se dañan con el uso de la herramienta.
- Vístase apropiadamente. No use ropa suelta o joyería. Mantenga su cabello, ropa y guantes lejos de las partes móviles. La ropa suelta, joyería o el cabello largo pueden quedar atrapados en las partes móviles.
- Se debe tener cuidado para garantizar que los mandriles gastados no creen un peligro.

### 1.7 RIESGOS DE RUIDO


- La exposición a altos niveles de ruido puede causar pérdida auditiva permanente e incapacitante y otros problemas, como tinnitus (ruido de timbre, zumbidos, silbidos o resonación en los oídos). Por lo tanto, la evaluación de riesgos y la implementación de controles apropiados para estos peligros son esenciales.
- Los controles apropiados para reducir el riesgo pueden incluir acciones tales como materiales de amortiguamiento para evitar que las piezas de trabajo "resuenen".
- Use protección auditiva de acuerdo con las instrucciones del empleador y según lo exijan las normas de seguridad y salud ocupacional.
- Opere y mantenga la herramienta como se recomienda en el manual de instrucciones, para evitar un aumento innecesario en el nivel de ruido.

### 1.8 RIESGOS DE VIBRACIÓN

- La exposición a la vibración puede causar daños incapacitantes en los nervios y el suministro de sangre de las manos y los brazos.
- Use ropa abrigada cuando trabaje en condiciones frías y mantenga sus manos calientes y secas.
- Si experimenta entumecimiento, hormigueo, dolor o blanqueamiento de la piel en sus dedos o manos, deje de usar la herramienta, informe a su empleador y consulte a un médico.
- Siempre que sea posible, soporte el peso de la herramienta en un soporte, tensor o equilibrador, ya que se puede utilizar un agarre más ligero para sostener la herramienta.

### 1.9 INSTRUCCIONES ADICIONALES DE SEGURIDAD PARA HERRAMIENTAS ELECTRONEUMÁTICAS

- El suministro neumático operativo no debe exceder los 7 bar (100 PSI).
- El aire bajo presión puede causar lesiones graves.
- Nunca deje la herramienta de operación desatendida. Desconecte la manguera de aire cuando la herramienta no esté en uso, antes de cambiar los accesorios o al realizar reparaciones.
- NO deje la abertura de escape de aire en la cara del recolector de mandril en la dirección del operador u otras personas. Nunca dirija el aire hacia usted u otras personas.
- Mangueras que se agitan puede causar lesiones graves. Siempre verifique si hay mangueras y accesorios dañados o sueltos.
- Antes de usar, revise las mangueras de aire respecto a daños, todas las conexiones deben estar seguras. No deje caer objetos pesados sobre las mangueras. Un impacto fuerte puede causar daños internos y provocar fallas prematuras en la manguera.
- El aire frío se debe dirigir lejos de las manos.
- Siempre que se utilicen acoplamientos de torsión universales (acoplamientos de garras), se instalarán pasadores de seguridad y se utilizarán cables de seguridad de protección contra latigazos para proteger contra posibles fallas de conexión de manguera a herramienta o de manguera a manguera.
- NO levante la herramienta de colocación por la manguera. Siempre utilice la manija de la herramienta de colocación.
- No se deben bloquear o cubrir los orificios de ventilación.
- Mantenga la suciedad y las materias extrañas fuera del sistema hidráulico de la herramienta, ya que esto hará que la herramienta no funcione correctamente.

 **ADVERTENCIA:** Si bien se producirá una pequeña cantidad de desgaste y marcado de forma natural a través del uso normal y correcto de los mandriles, deben examinarse regularmente para detectar desgaste y marcado excesivos, con especial atención al diámetro de la cabeza, el área de sujeción de la mordaza trasera del vástago o picaduras pesadas del vástago y cualquier distorsión del mandril. Los mandriles que fallan durante el uso podrían salir de forma forzada de la herramienta. Es responsabilidad del cliente asegurarse que los mandriles se reemplacen antes de cualquier nivel de desgaste excesivo y siempre antes del número máximo recomendado de colocaciones. Póngase en contacto con su representante de STANLEY Engineered Fastening que le informará cuál es esa cifra midiendo la carga de broca de su aplicación con nuestra herramienta de medición calibrada.

**La política de STANLEY Engineered Fastening es la mejora y desarrollo continuo del producto y nos reservamos el derecho de cambiar las especificaciones de cualquier producto sin previo aviso.**

## 2. ESPECIFICACIONES

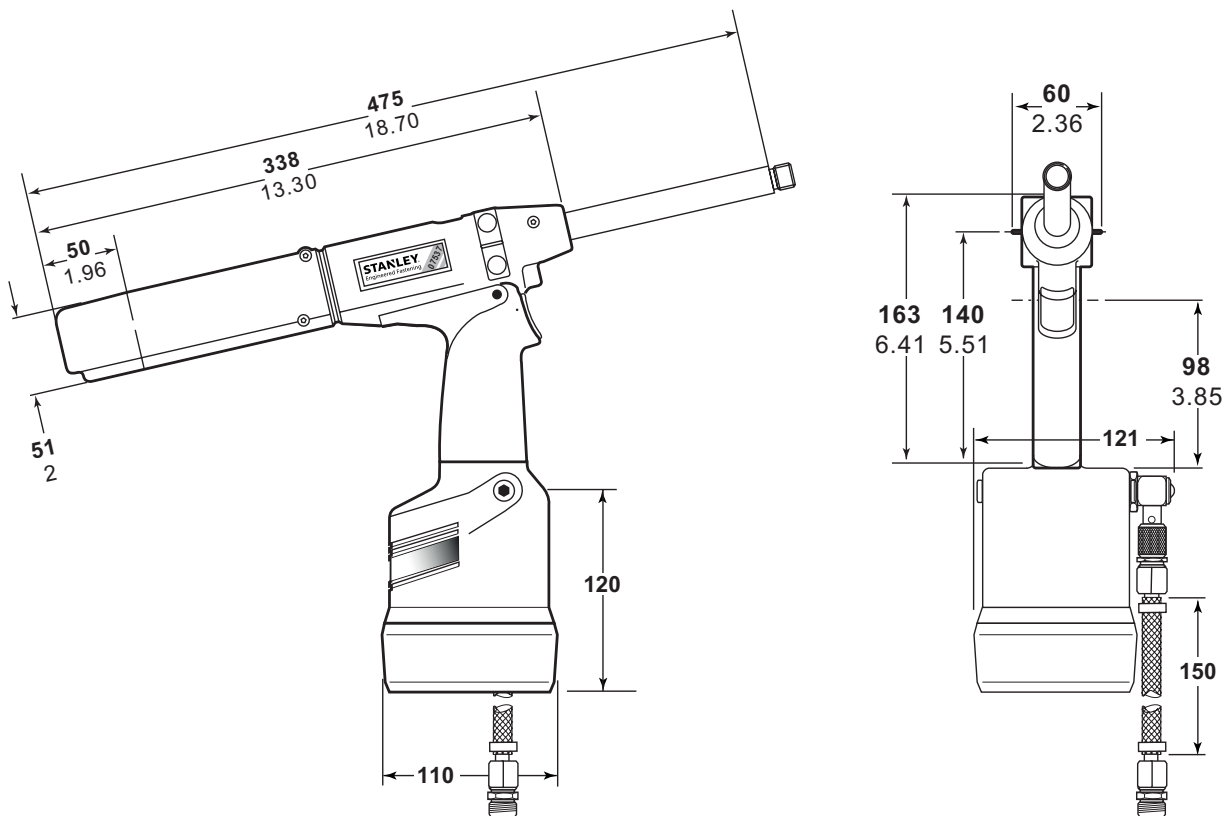
### 2.1 ESPECIFICACIÓN PARA HERRAMIENTA 07537

<b>Presión de aire</b>	Mínima - Máxima	5-7 bar (70-100 lbf/pulg <sup>2</sup> )
<b>Volumen de aire libre requerido</b>	@ 5.1 bar /75 lbf/pulg <sup>2</sup>	2.6 litros (0.09 pies <sup>3</sup> )
<b>Carrera</b>	Mínimo	28.0 mm (1.10 pulg.)
<b>Fuerza de tracción</b>	@ 5.5 bar /80 lbf/pulg <sup>2</sup>	3.89 kN (875 lbf)
<b>Tiempo de ciclo</b>	Aproximadamente	1 segundo
<b>Peso</b>	Herramienta	2.3 kg (5.06 lbs)

Valores de ruido determinados de acuerdo con el código de prueba de ruido ISO 15744 e ISO 3744.		07537
Nivel de potencia de sonido ponderado A dB(A), L <sub>WA</sub>	Ruido de incertidumbre: k <sub>WA</sub> = 2.3 dB(A)	76.1 dB(A)
Nivel de presión de sonido de emisión ponderado A en la estación de trabajo dB(A), L <sub>PA</sub>	Ruido de incertidumbre: k <sub>PA</sub> = 2.3 dB(A)	65.1 dB(A)
Nivel de presión de sonido de emisión pico ponderado C dB(C), L <sub>pC</sub> , pico	Ruido de incertidumbre: k <sub>pC</sub> = 2.5 dB(C)	91.7 dB(C)
Valores de vibración determinados de acuerdo con el código de prueba de vibración ISO 20643 e ISO 5349.		07537
Nivel de emisión de vibración, a <sub>hd</sub> :	Vibración de incertidumbre: k = 0.11 m/s <sup>2</sup>	0.42 m/s <sup>2</sup>
Valores de emisión de vibración declarados de acuerdo con EN 12096		

### 2.2 DIMENSIONES DE HERRAMIENTA

Número de parte 07537-00200



### 3. INTENCIÓN DE USO

La herramienta neumática 07537 es una herramienta ligera portátil diseñada para colocar sujetadores rápidos Stanley Engineered Fastening (excepto Avlug® de 1/16") haciéndola ideal para ensamble en línea de flujo de lotes en una amplia variedad de aplicaciones en todas las industrias.

Los números de parte se muestran para pedir una herramienta completa pero no el equipo de punta.

El número de parte de la herramienta para el modelo 07537 es 07537-00200. Vea los ensambles generales en las páginas 67-68.

La herramienta colocará la mayoría de los sujetadores de repetición, como se muestra en la siguiente tabla.

La herramienta se utiliza con un equipo de punta específico. Se debe tomar como referencia la sección de Equipo de punta del manual de accesorios (07900-09508) al seleccionar componentes compatibles para el tipo y tamaño de sujetador usado en su aplicación.

**NO** lo use en condiciones húmedas o en presencia de líquidos o gases inflamables.

NOMBRE DE SUJETADOR	TAMAÑO DE SUJETADOR											
	3/32"	1/8"	5/32"	3/16"	1/4"	2.5 mm 2.8 mm	3 mm	3.5 mm	4 mm	6 mm	M2.5 4-40 UNC	M3 6-32 UNC
CHOBERT®	●	●	●	●	●							
GROVIT®	●	●	●	●								
AVLUG®	●	●										
BRIV®	●	●	●	●						●		
RIVSCREW®						●	●	●	●			
AVTRONIC®						●						
AVSERT®											●	●
NEOSPEED(R)		●	●	●								



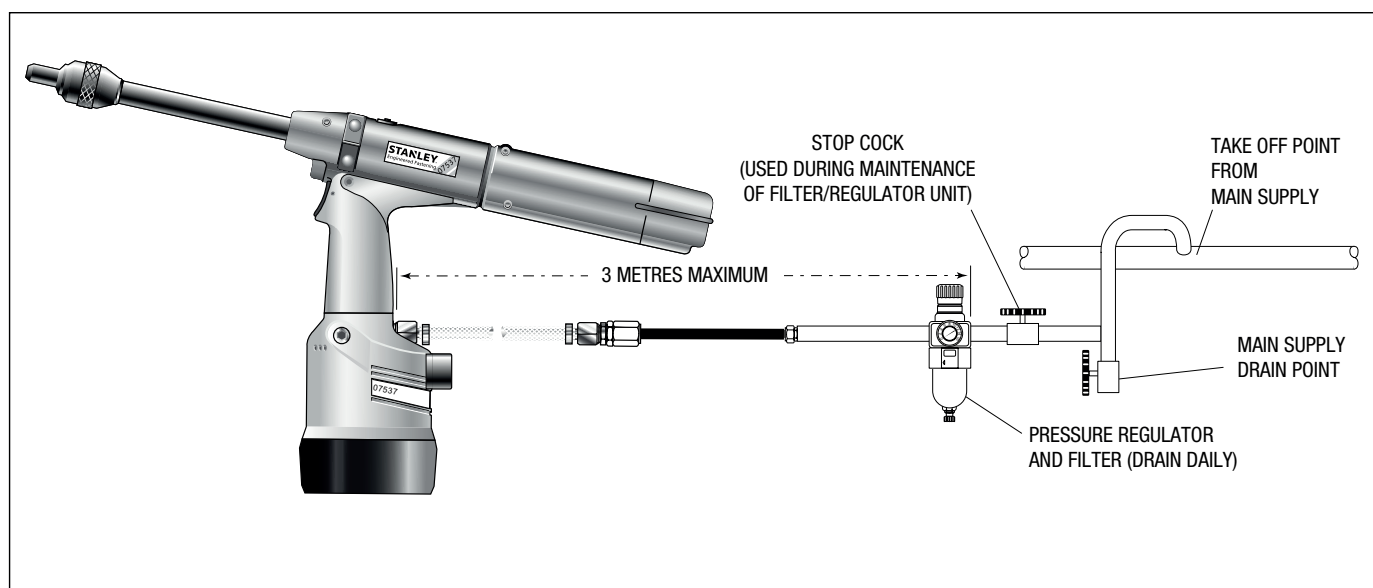
## 4. PUESTA EN SERVICIO

### 4.1 SUMINISTRO DE AIRE

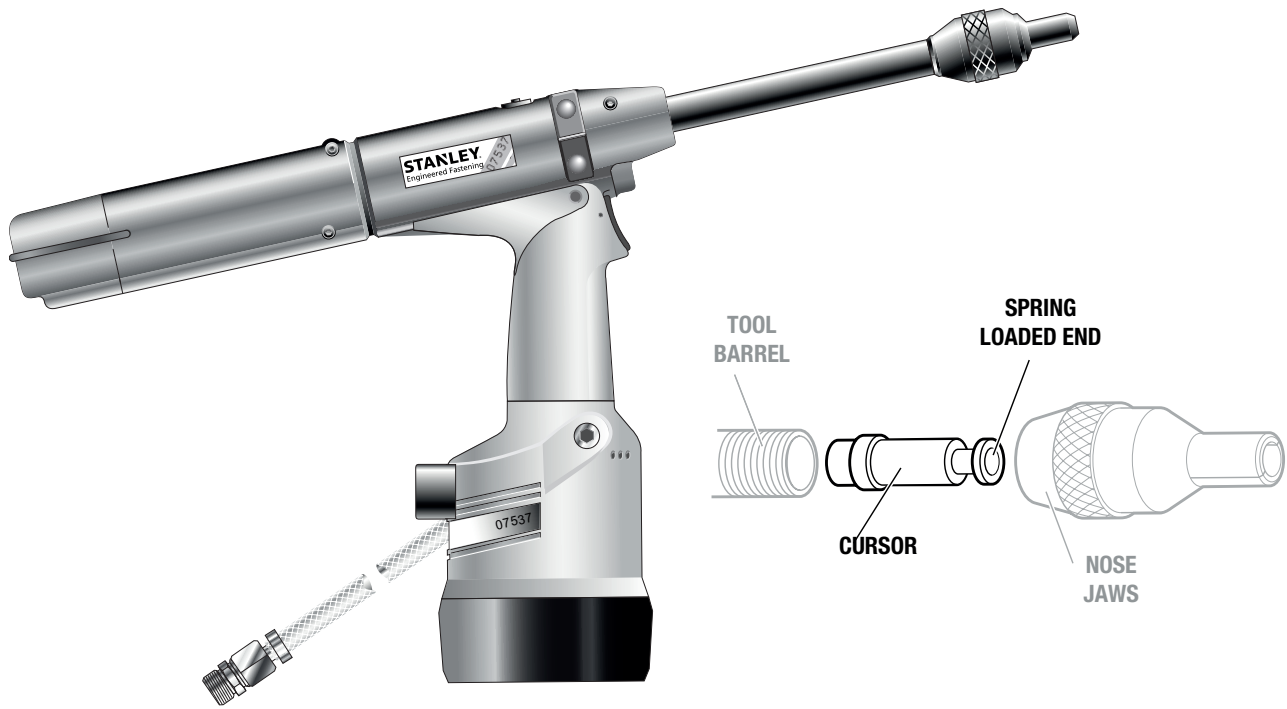
Todas las herramientas se operan con aire comprimido en una presión óptima de 5.5 bar. Recomendamos el uso de reguladores de presión y sistemas de filtrado en el suministro de aire principal. Deben instalarse a menos de 3 metros de la herramienta (consulte el diagrama a continuación) para garantizar la máxima vida útil y el mínimo mantenimiento de la herramienta.

Las mangueras de suministro de aire tendrían una presión efectiva de operación mínima de 150% de la presión máxima producida en el sistema o 10 bar, la que resulte mayor. Las mangueras de aire deben ser resistentes a aceite, tener un exterior resistente a la abrasión y estar blindadas donde las condiciones de operación puedan resultar en que se dañen las mangueras. Todas las mangueras de aire DEBEN tener un diámetro de orificio mínimo de 6.4 milímetros o 1/4 de pulgada.

Lea los detalles de servicio diario en la página 61.



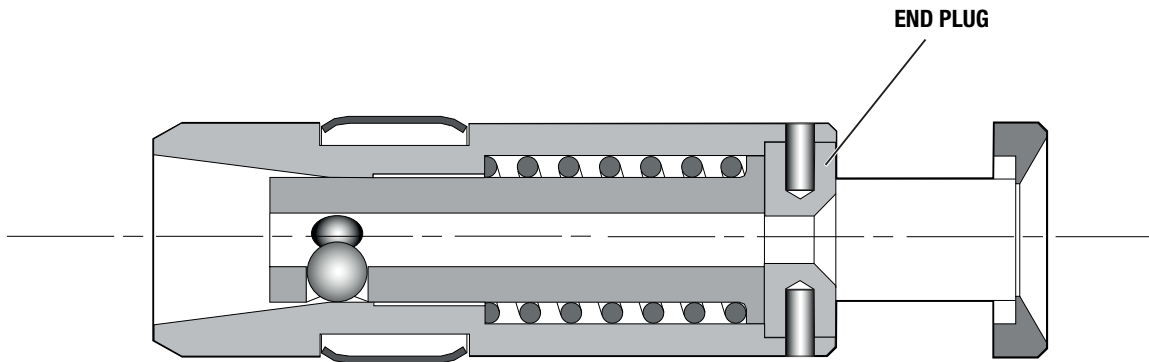
**4.2 CURSORES MECÁNICOS**



Como referencia, hay tres tipos de cursor mecánico diferentes:

- 07271-01100 Usado para mandriles estándar y mandriles desechables de 5/32"
- 07279-05843 Usado para mandriles desechables de 1/8"
- 07279-05845 Usado para mandriles desechables de 3/16"

La diferencia en los ensambles anteriores es el diámetro interno del Tapón de extremo.



Estos están codificados por colores, ver a continuación:

NO. DE PARTE DE CURSOR MECÁNICO	NO. DE PARTE DE TAPÓN DE EXTREMO	COLOR	DIÁMETRO DE ORIFICIO (mm)
07271-01100	07150-00402	ACERO SENCILLO	2.7
07279-05843	07159-05844	ORO	2.2
07279-05845	07159-05846	PLATA	3.3

### 4.3 CURSOR

**IMPORTANTE**

**Si se ajusta incorrectamente, el cursor no permitirá alimentar los sujetadores.**

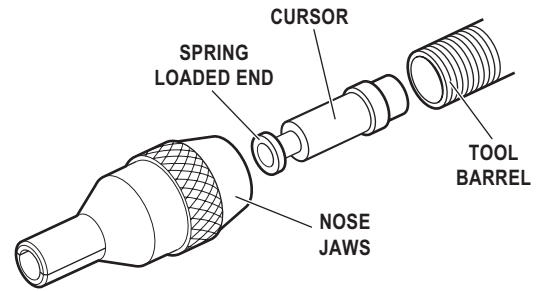
Si bien el cursor estará colocado de la forma correcta cuando se suministre la herramienta, le recomendamos que verifique su orientación antes de colocar el equipo de punta. El extremo del cursor cargado por resorte, ligeramente cóncavo, debe apuntar hacia el frente de la herramienta como se muestra en la ilustración.

Cuando se ajusta de la manera correcta, el cursor se deslizará fácilmente fuera del barril cuando se empuja un mandril hacia su centro y luego se jala hacia atrás.

Para invertir la orientación del cursor, siga estos pasos:

Los números de artículo en **negritas** se refieren al dibujo de ensamble general y la lista de partes para 07537-00200 en las páginas 67-68.

- Retire el sujetador 48 y deslice la tapa de extremo **50**.
- Con una llave Allen, retire un tornillo de cabeza prisionera **5** asegurándose que salga el aire atrapado. Retire el segundo tornillo de cabeza prisionera **5**.
- Extraiga el tapón trasero **47**.
- Extraiga el ensamble del pistón de la mordaza trasera **51** junto con las mordazas **34**.
- Levante el resorte **35** y el alojamiento de mordaza **41**.
- Inserte un mandril en el orificio en el extremo trasero del barril **44** hasta que sobresalga a través del frente del barril, después extraiga el mandril y el cursor juntos a través del frente.
- Vuelva a ensamblar los componentes en orden inverso.
- Inserte el ensamble de cursor mecánico **36** en el frente del barril, de la forma correcta.



### 4.4 CARGA Y RECARGA DE LA HERRAMIENTA

**IMPORTANTE**

**El procedimiento para carga de la herramienta y para instalar el equipo de punta a la herramienta es integral.**

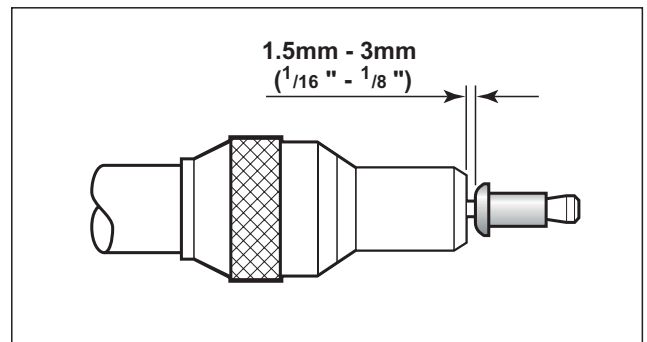
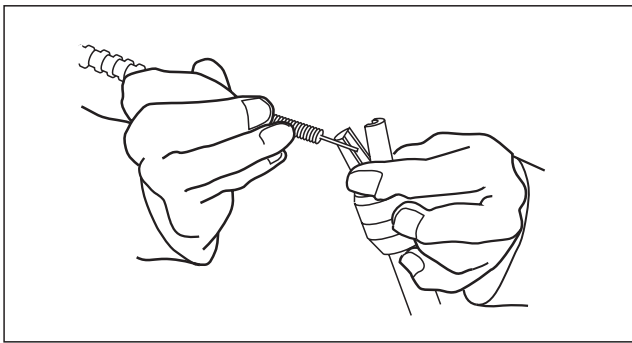
Cuando ordene una herramienta o sistema completos, normalmente se le suministrará todo el equipo de punta requerido para el sujetador que se colocará. Para identificar los componentes de equipo de punta o para seleccionar los elementos correctos, lea la sección de equipo de punta, en el manual de accesorios (07900-09508).

Si se le suministraron la mordaza de punta, mandriles y resortes de seguidor de mandril continúe con la carga de la herramienta y colocación del equipo de punta como se muestra en el anverso.

Los números de artículo en **negritas** se refieren al dibujo de ensamble general y la lista de partes para 07537-00200 en las páginas 67-68.

#### 4.5 CARGA DE LA HERRAMIENTA

- Conecte el suministro de aire a la herramienta.
- Abra las mordazas traseras **34** que sujetan el mandril, apagando el interruptor de la mordaza trasera (artículos **22** y **23**).
- Atornille las mordazas de punta seleccionadas en el barril **44** de la herramienta.
- \* Inserte un mandril en el extremo posterior de los sujetadores a través de la vaina de papel.
- Deslice el resorte seguidor del mandril sobre el mandril asegurando la orientación correcta, como se muestra en la tabla de la página 61.
- Sujetando el extremo trasero del mandril, retire la vaina de papel de alrededor de los sujetadores.
- Abra las mordazas de punta ya sea girando el anillo exterior en las mordazas accionadas por leva o empujando hacia afuera los extremos de la mordaza, como se ilustra a continuación a la izquierda.
- Inserte el mandril previamente ensamblado, el resorte seguidor del mandril y los sujetadores en las mordazas de punta hasta que el primer sujetador a colocase sobresalga de la mordaza de punta.
- Cierre las mordazas de punta y ajuste de forma que el primer sujetador sobresalga 1.5mm - 3mm ( $1/16''$  to  $1/8''$ ), como se muestra en la siguiente ilustración a la derecha.
- Cierre las mordazas traseras para asegurarse que el mandril esté sujeto, encendiendo el interruptor de la mordaza trasera (artículos **22** y **23**).



#### 4.6 RECARGA DE LA HERRAMIENTA

- Abra las mordazas traseras **34** de la herramienta.
- Abra las mordazas de punta y extraiga el mandril vacío y el resorte seguidor de mandril de la herramienta.
- Recargue la herramienta siguiendo las instrucciones anteriores, comenzando en la etapa •\*.

#### 4.7 PROCEDIMIENTO DE OPERACIÓN

**IMPORTANTE**  
**Debe verificar que la orientación del cursor y el equipo de punta sea correcta antes de intentar operar la herramienta.**

- Empuje el sujetador, que sobresale de las mordazas de punta, completamente en los orificios de aplicación asegurando que la herramienta se mantenga nivelada.
- Opere el gatillo sin liberar - la cabeza de mandril sale a través del sujetador, dando forma al sujetador en la aplicación.
- Retire la herramienta.
- Libere el gatillo. El siguiente sujetador se presentará automáticamente a través de las mordazas de punta, listo para la colocación.

#### 4.8 EQUIPO DE COLOCACIÓN

Todo el equipo de punta, mandriles, resortes seguidores y otros accesorios se pueden encontrar en el manual de accesorios (número de parte 07900-09508)

Los números de artículo en **negritas** se refieren al dibujo de ensamble general y la lista de partes para 07537-00200 en las páginas 67-68.

## 5. SERVICIO DE HERRAMIENTA

Se debe realizar el servicio regular y realizarse una inspección comprehensiva anualmente o cada 500,000 ciclos, lo que suceda primero.

### IMPORTANTE

**El empleador es responsable de garantizar que las instrucciones de mantenimiento de la herramienta se proporcionen al personal apropiado.**

**El operador no debe participar en el mantenimiento o reparación de la herramienta a menos que esté debidamente capacitado.**

### 5.1 DIARIAMENTE

- Diariamente, antes del uso o cuando ponga la herramienta en servicio por primera vez. Ponga unas cuantas gotas de aceite lubricante limpio en la entrada de aire de la herramienta si no hay un lubricador instalado en el suministro de aire. Si la herramienta está en uso continuo, la manguera de aire se debe desconectar del suministro de aire principal y lubricarse la herramienta cada dos a tres horas.
- Revise respecto a fugas de aire y aceite. Si están dañados, las mangueras y acoplamientos deben reemplazarse.
- Si no hay filtro en el regulador de presión, purgue la línea de aire para liberarla de suciedad acumulada o agua antes de conectar la manguera de aire al intensificador. Si hay un filtro, drénelo.
- Revise que el equipo de punta sea correcto.
- Revise los mandriles regularmente respecto a señales de desgaste o daño monitoreando el número de colocaciones (lea las Instrucciones de seguridad en la página 52-54).
- Revise que la cubierta de la base esté completamente apretada sobre el cuerpo.

### 5.2 SEMANALMENTE

- Realice los procedimientos "Diarios" como se describe anteriormente.
- Retire, revise, limpie y engrase las mordazas traseras (consulte "Cilindro de mordaza trasera" en la "sección Mantenimiento" en la página 64).

**PRECAUCIÓN – Nunca use solventes u otros productos químicos fuertes para limpiar las partes no metálicas de la herramienta. Estos productos químicos pueden debilitar los materiales utilizados en estas partes.**

### 5.3 DATOS DE SEGURIDAD DE GRASA DE LITIO MOLIBDENO EP 3753

La grasa se puede pedir como un artículo sencillo, el número de parte se muestra en la página 63 de Juegos de servicio.

#### Primeros auxilios

PIEL:

Como la grasa es completamente resistente al agua, es mejor eliminarla con un limpiador emulsionante aprobado para la piel.

INGESTIÓN:

Asegúrese que el individuo beba 30 ml de leche de magnesia, preferiblemente en una taza de leche.

OJOS:

Irritante pero no dañino. Aplique agua y busque atención médica.

#### Fuego

PUNTO DE INFLAMABILIDAD: Mayor a 220°C.

No clasificado como inflamable.

Medios de extinción adecuados: CO<sub>2</sub>, halón o agua pulverizada si lo aplica un operador experimentado.

#### Medio ambiente

Deseche para la incineración o eliminación en un sitio aprobado.

#### Manejo

Use crema de barrera o guantes resistentes al aceite

#### Almacenamiento

Lejos del calor y agentes oxidantes.

## 5.4 DATOS DE SEGURIDAD DE GRASA MOLYKOTE® 55M

### Primeros auxilios

#### PIEL:

Lave con agua. Seque.

#### INGESTIÓN:

No se necesitarían primeros auxilios.

#### OJOS:

Lave con agua.

### Fuego

PUNTO DE INFLAMABILIDAD: Mayor a 101.1°C. (taza cerrada)

Propiedades explosivas: No

Medios de extinción adecuados: Espuma de dióxido de carbono, polvo seco o rocío de agua fino.

Se puede usar agua para enfriar contenedores expuestos al fuego.

### Medio ambiente

No permita que grandes cantidades ingresen a los desagües o aguas superficiales.

Métodos para limpiar: Raspe y coloque en un recipiente adecuado provisto de tapa. El producto derramado produce una superficie extremadamente resbaladiza.

Nocivo para los organismos acuáticos y puede provocar efectos adversos a largo plazo en el medio acuático. Sin embargo, debido a la forma física y la insolubilidad en agua del producto, la biodisponibilidad es insignificante.

### Manejo

Se recomienda ventilación general. Evite el contacto con la piel y los ojos.

### Almacenamiento

No guarde con agentes oxidantes. Mantenga el contenedor cerrado y guarde lejos de agua o humedad.

## 5.5 DATOS DE SEGURIDAD DE GRASA MOLYKOTE® 111

### Primeros auxilios

#### PIEL:

No se necesitarían primeros auxilios.

#### INGESTIÓN:

No se necesitarían primeros auxilios.

#### OJOS:

No se necesitarían primeros auxilios.

#### INHALACIÓN:

No se necesitarían primeros auxilios.

### Fuego

PUNTO DE INFLAMABILIDAD: Mayor a 101.1°C. (taza cerrada)

Propiedades explosivas: No

Medios de extinción adecuados: Espuma de dióxido de carbono, polvo seco o rocío de agua fino.

Se puede usar agua para enfriar contenedores expuestos al fuego.

### Medio ambiente

No se predicen efectos adversos.

### Manejo

Se recomienda ventilación general. Evite el contacto con los ojos.

### Almacenamiento

No guarde con agentes oxidantes. Mantenga el contenedor cerrado y guarde lejos de agua o humedad.

### 5.6 JUEGOS DE SERVICIO

Para todos los servicios, recomendamos el uso de los siguientes juegos de servicio.

<b>JUEGO DE SERVICIO: 07900-05300</b>			Las llaves se especifican en pulgadas y a través de caras a menos que se indique lo contrario.		
<b>ARTÍCULO PARTE N°</b>	<b>DESCRIPCIÓN</b>	<b>N° OFF</b>	<b>ARTÍCULO PARTE N°</b>	<b>DESCRIPCIÓN</b>	<b>N° OFF</b>
07900-00157	PINZAS DE SUJETADOR CIRCULAR	1	07900-00352	GANCHO DE DESINSTALACIÓN DE SELLO	1
07900-00006	ESPÁTULA	1	07900-00710	LLAVE DE DESINSTALACIÓN DE TAPÓN DE BARRIL	1
07900-00446	EXTRACTOR	1	07900-00725	BALA	1
07900-00603	MORDAZAS DE PRENSA DE BARRIL	1	07900-00243	DESTORNILLADOR	1
07900-00520	VARILLA DE 3/8"	1	07900-00717	LLAVE DE INTENSIFICADOR	1
07900-00521	VARILLA DE 1/4"	1	07900-00013	LLAVE ALLEN DE 1/8"	1
07900-00602	BALA DE ENSAMBLE DE ANILLO 'O'	1	07900-00617	PAQUETE DE 50ml DE MULTI-EMPAQUE LOCTITE® 574	1
07900-00595	LLAVE DE 18mm	1	07900-00469	LLAVE ALLEN 2.5mm	1
07900-00434	LLAVE DE 32mm	1	07900-00351	LLAVE ALLEN 3mm	1
07900-00237	3/8" x 5/16" B-S-W· LLAVE	1	07900-00224	LLAVE ALLEN 4mm	1
07900-00012	LLAVE DE 9/16" x 5/8"	1	07900-00225	LLAVE ALLEN 5mm	1
07900-00008	LLAVE DE 7/16" x 1/2"	1	07992-00020	LATA DE 80g DE GRASA DE LITIO MOLIBDENO EP 3753	1

<b>JUEGO DE SERVICIO: 71210-99990</b>			Las llaves se especifican en pulgadas y a través de caras a menos que se indique lo contrario.		
<b>ARTÍCULO PARTE N°</b>	<b>DESCRIPCIÓN</b>	<b>N° OFF</b>	<b>ARTÍCULO PARTE N°</b>	<b>DESCRIPCIÓN</b>	<b>N° OFF</b>
07900-00667	CAMISA DE PISTÓN	1	07900-00157	PINZAS DE SUJETADOR CIRCULAR	1
07900-00692	EXTRACTOR DE VÁLVULA DE GATILLO	1	07900-00008	LLAVE DE 7/16 x 1/2	1
07900-00670	BALA	1	07900-00012	LLAVE DE 9/16 x 5/8	1
07900-00672	LLAVE 'T'	1	07900-00015	LLAVE DE 5/8 x 11/16	1
07900-00706	TAPÓN DE UBICACIÓN	1	07900-00686	LLAVE DE CLAVIJA	1
07900-00684	TUBO GUÍA	1	07900-00677	EXTRACTOR DE SELLO	1
07900-00685	VARILLA DE INSERCIÓN	1	07900-00698	TUERCA DE TOPE	1
07900-00351	LLAVE ALLEN DE 3 MM	1	07900-00700	BOMBA DE CEBADO	1
07900-00469	LLAVE ALLEN DE 2.5 MM	1	07992-00020	GRASA - LITIO MOLIBDENO E.P.3753	1
07900-00158	PUNZÓN DE CLAVIJA DE 2 MM	1	07992-00075	GRASA - MOLYKOTE® 55M	1
			07900-00775	GRASA - MOLYKOTE® 111	1

## 6. MINTENIMIENTO

Cada 500,000 ciclos la herramienta debe desensamblarse por completo y los componentes nuevos deben usarse cuando se encuentren componentes desgastados, dañados o cuando se recomiende. Todos los anillos O y sellos deben renovarse y lubricarse con grasa Molykote® 55m para sellado neumático o Molykote® III para sellado hidráulico.

### IMPORTANTE

**Las instrucciones de seguridad aparecen en la página 52-54.**  
**El empleador es responsable de garantizar que las instrucciones de mantenimiento de la herramienta se proporcionen al personal apropiado.**  
**El operador no debe participar en el mantenimiento o reparación de la herramienta a menos que esté debidamente capacitado.**

La línea de aire se debe desconectar antes de intentar cualquier servicio o desmantelamiento, a menos que se indique específicamente de otra manera.

Se recomienda que cualquier operación de desmantelamiento se realice en condiciones limpias.

Antes de desmantelar la herramienta, deberá quitar el equipo de punta.

Para un mantenimiento total de la herramienta, le recomendamos que proceda con el desmontaje de los subconjuntos en el orden que se muestra.

Las sustancias potencialmente peligrosas que podrían haberse depositado en la máquina como resultado de los procesos de trabajo deben eliminarse antes del mantenimiento.

### 6.1 DESMANTELAMIENTO DE 07537-00200

#### DESINSTALACIÓN DE MOLDURAS DE CABEZA

- Gire manualmente el sujetador **48** hacia arriba y retire la tapa de extremo **50**.
- Con una llave Allen\*, retire los tres tornillos de fijación **2** y las tuercas **7** del ensamble del cuerpo de la herramienta y un tornillo **97** de la moldura del cuerpo izquierdo **60**.
- Retire las molduras de cuerpo derecha e izquierda **59** y **60**.
- Ensamble en orden inverso del desmontaje.

#### ENSAMBLE DE PISTÓN NEUMÁTICO

- Sujete el cuerpo **72** de la herramienta invertida a través de los salientes de entrada de aire en un tornillo de banco equipado con mordazas blandas.
- Retire la funda de hule **67**.
- Con la llave de clavija\* desatornille la cubierta de la base **73**.
- Desatornille las Contratuerzas **6** (2 unidades) y retire la Placa Base **77**.
- Retire el revestimiento del cilindro **75**, junto con las arandelas de sellado **78** (2 unidades) y los anillos 'O' **9** (2 unidades).
- Retire el ensamble de pistón neumático **58** del cuerpo **72** junto con el anillo 'O', el sello de labio (3 unidades) y el anillo guía.
- Ensamble en orden inverso.

#### ENSAMBLE DE CARRETE DE VÁLVULA

- Retire el ensamble de pistón neumático **58** y el ensamble de sello intensificador **71** como se describe inmediatamente antes.
- Con la llave en 'T'\* y la espiga de ubicación\*, desenrosque la tuerca de la abrazadera **64** y extráigala junto con la placa superior **76**, las varillas de unión **74** y el ensamble del tubo de transferencia **69**.
- Libere la herramienta del tornillo de banco y separe el cuerpo **72** con el anillo 'O' **20** del Ensamble de la manija **57**.
- Extraiga el ensamble de cabeza **56** del ensamble de manija **57** y retire el anillo 'O' **19** del tubo del intensificador.
- Extraiga el asiento de válvula **62** junto con los dos anillos 'O' **18** (2 unidades).
- Retire todos los componentes del Ensamble de carrete de válvula **68**.
- Por último, retire el anillo 'O' **18** del orificio avellanado de la manija.

\* Se refiere a los elementos incluidos en los juegos de servicio 07900-05300 y 71210-99990. Para obtener una lista completa, consulte la página 63.

Los números de artículo en **negritas** se refieren al ensamble general y lista de partes en las páginas 67-68.



- Ensamble en orden inverso al desmontaje asegurándose que el puerto central en el asiento de válvula **62** mire hacia arriba hacia el anillo 'O' **17**.

#### GATILLO

- Con el punzón de 2 milímetros de diámetro\*, extraiga el pasador del gatillo **65** y levante el gatillo **61**.
- Desenrosque la válvula de gatillo **24** usando el extractor de válvula de gatillo\*.
- Ensamble en orden inverso al desmontaje.

#### CILINDRO DE MORDAZA TRASERA

- Con una llave Allen\*, retire un tornillo prisionero **5** asegurándose que escape el aire atrapado en el cilindro de la mordaza trasera. Retire el segundo tornillo prisionero **5**.
- Extraiga el tapón trasero **47**.
- Extraiga el aire de los componentes de la mordaza trasera, que incluyen el ensamble del pistón de la mordaza trasera **51**, el resorte **35**, las mordazas **34** y el alojamiento de la mordaza **41**.
- Retire el tapón de la parte trasera del ensamble del pistón con una llave Allen\* y una barra a través de la ranura grande de la torreta.
- Limpie la torreta con un taladro de 4.7mm (3/16") y reemplace el tapón con un compuesto de sellado que no endurezca, por ej., Multi-junta Loctite® 574\*.
- Retire el anillo 'O' del sello del pistón **10**.
- Sujete el barril **44** en un tornillo de banco con mordazas blandas para evitar daños.
- Con una llave de tubo\*, desatornille el tapón cilíndrico **45**, evitando que el cilindro **44** gire con una llave de boca\*.
- Desconecte el tubo de concertina de la mordaza trasera neumática **54** del ensamble de cabeza y extraiga el cilindro **46** de la mordaza trasera de la herramienta.
- Retire el anillo 'O' **13**, la franja de roce **40** y el resorte de retorno del cilindro **37**.
- La longitud libre del resorte **35** debe ser de 38.1mm (1.5"). Reemplace si es necesario.
- Cubra las mandíbulas traseras con grasa de litio molibdeno antes de ensamblar.
- Ensamble en orden inverso del desmontaje.

#### PISTON HIDRAULICO

- Retire el cilindro **46** de la mordaza trasera como se describió anteriormente.
- Sujete el ensamble de cabeza **56** en un tornillo de banco con mordazas blandas\* para evitar daños, retire el limitador de carrera **39**.
- Con una llave Allen\*, afloje el tornillo **3** que sujeta el bloque de interruptores **55** al barril **44**.
- Con una llave Allen\*, retire el bloque de interruptores **55** y el anillo 'O' **21**, aflojando el tornillo de fijación **4**.
- Sujete la herramienta firmemente y extraiga el barril **44** del cuerpo (puede salir una pequeña cantidad de aceite hidráulico del interior del cuerpo).
- Retire el pistón **38** con cuidado para no dañar el orificio del cuerpo.
- Retire el sello de labio **15**.
- El sello de labio **16** es difícil de quitar sin dañar, pero puede permanecer en su lugar durante la limpieza (siempre que no se vea afectado por el proceso de limpieza). Sin embargo, si es necesario renovar el Sello de labio **16**, proceda de la siguiente manera:
- Con una espátula\*, retire el Sello de labio **16** del Ensamble de cabeza **56**, teniendo cuidado de no dañar la cavidad del cuerpo y los orificios. El Sello de labio **16** extraído DEBE desecharse.
- Para reemplazar el sello de labio **16**, desatornille el tapón de purga **43** existente hasta que la cara interior esté nivelada con el orificio interno del Ensamble de cabeza **56**. Esto proporcionará un pasaje suave para la inserción del nuevo Sello de labio **16** a través de la parte trasera del cuerpo.

\* Se refiere a los elementos incluidos en los juegos de servicio 07900-05300 y 71210-99990. Para obtener una lista completa, consulte la página 63.

Los números de artículo en **negritas** se refieren al ensamble general y lista de partes en las páginas 67-68.

- Asegúrese que el sello de labio **16** esté bien engrasado y en la forma correcta con el extremo abierto del sello hacia las mordazas traseras.
- Complete el ensamble en orden inverso del desmontaje.

#### **VÁLVULA DE ABERTURA/CIERRE DE MORDAZA TRASERA**

- La unidad está diseñada para que se requiera un mantenimiento mínimo durante la vida útil de la herramienta.
- Si es necesario desmontar la válvula, proceda de la siguiente manera:
- Retire el bloque de interruptor **55** como se describe en la sección "Pistón hidráulico".
- Con un destornillador\*, retire con cuidado la arandela de bloqueo de estrella cromada **22** del carrete de mandíbula neumática trasera **49** y deseche la arandela.
- Extraiga el carrete **49** de la mordaza neumática trasera del bloque de interruptores **55**.
- Teniendo cuidado de no dañar el carrete de la mordaza neumática trasera **49**, retire los anillos 'O' **11**.
- Limpie el carrete y vuelva a colocar los anillos 'O' **11** nuevos con la bala de ensamble\* e insértelos en el bloque de interruptores **55**, observando su orientación.
- Coloque la nueva arandela de bloqueo de estrella cromada **22** sujetándola en un tornillo de banco con mordazas blandas para evitar daños. NO USE FUERZA INDEBIDA.
- Complete el ensamble en orden inverso del desmontaje.

#### **MANIJA Y TAPA DE EXTREMO**

- Limpie y revise las molduras en busca de grietas u otros daños.

#### **CURSOR**

- Limpie y engrase el cursor mecánico **36** ocasionalmente con un poco de aceite ligero.

### **6.2 PROTECCIÓN DEL AMBIENTE**

Asegure la conformidad con las regulaciones de eliminación aplicables. Deseche todos los productos de desecho en una instalación o sitio de desechos aprobado para no exponer al personal y al medio ambiente a riesgos.

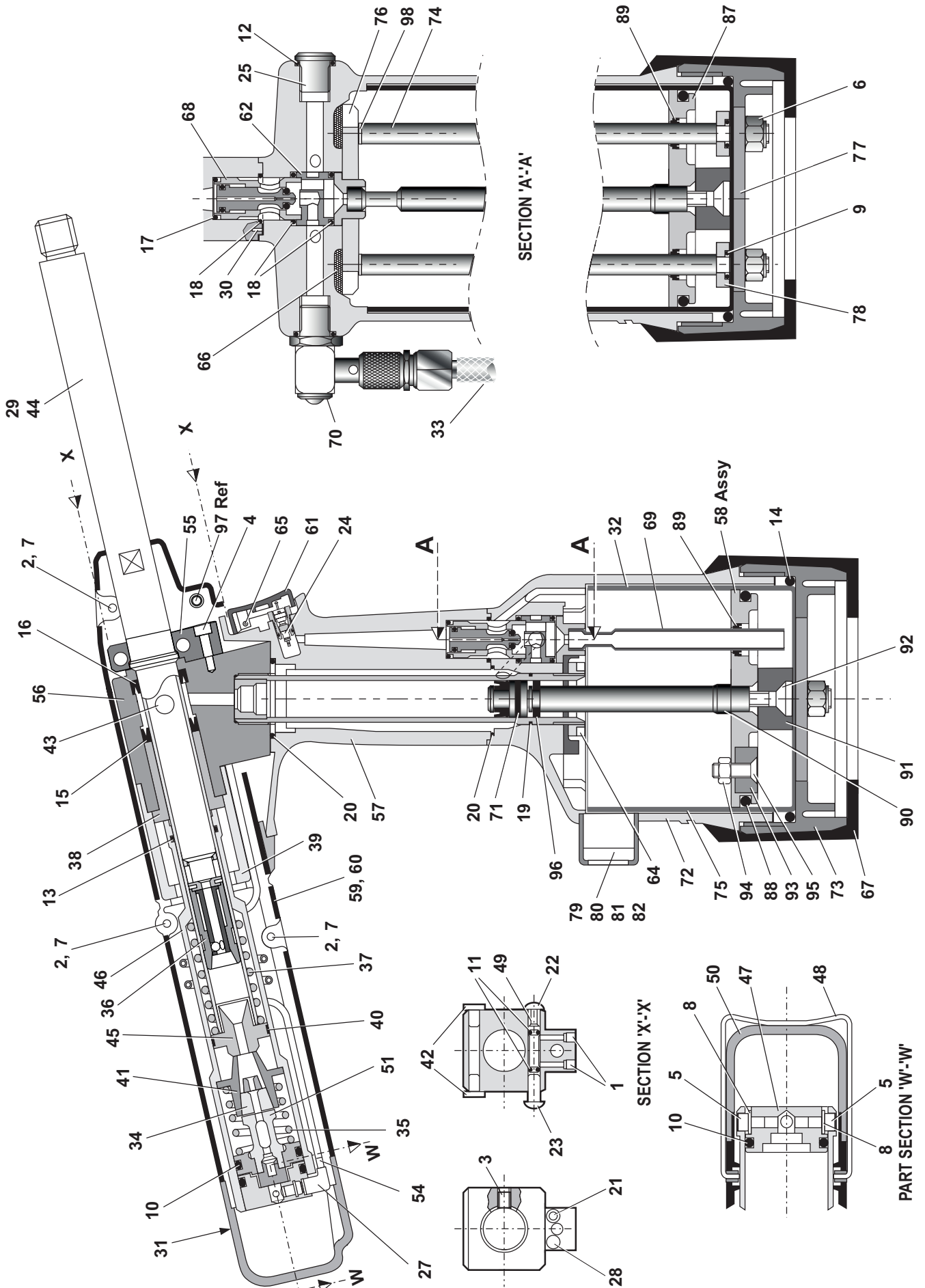
#### **IMPORTANTE**

**Verifique la herramienta con el servicio diario y semanal.  
El cebado SIEMPRE es necesario después de haber desmantelado la herramienta y antes de la operación.**

\* Se refiere a los elementos incluidos en los juegos de servicio 07900-05300 y 71210-99990. Para obtener una lista completa, consulte la página 63.

Los números de artículo en **negritas** se refieren al ensamble general y lista de partes en las páginas 67-68.

6.3 ENSAMBLE GENERAL DE HERRAMIENTA 07537-00200



6.4 LISTA DE PARTES PARA HERRAMIENTA 07537-00200

07537-00200 LISTA DE PARTES												
ELEMENTO	PART NO.	DESCRIPCIÓN	CANT.	REPUESTOSELEMENTO	PART NO.	DESCRIPCIÓN	CANT.	REPUESTOSELEMENTO	PART NO.	DESCRIPCIÓN	CANT.	REPUESTOS
01	07001-00223	TORNILLO SIN CABEZA SKT LARGO M4 x 5	2	-	07151-00403	MORDAZAS	2	-	67	71210-02055	FUNDA DE HULE	1
02	07001-00401	TORNILLO PRISIONERO SKT HD LARGO M4 x 10	3	-	07154-00404	RESORTE	1	-	68	71210-03400	ENSAMBLE DE CARRETE DE VALVULA	1
03	07001-00404	TORNILLO DE AJUSTE SKT HD LARGO M5 x 6	1	-	07271-01100	CURSOR MECÁNICO	1	-	69	07537-00810	ENSAMBLE DE TUBO DE TRANSFERENCIA	1
04	07001-00445	TORNILLO PRISIONERO SKT HD LARGO M4 x 15	1	-	07490-03002	RESORTE DE RETORNO DE BARRIL	1	-	70	71210-03700	ENSAMBLE DE VALVULA DE ABERTURA/CIERRE	1
05	07001-00504	TORNILLO PRISIONERO SKT HD LARGO M4 x 6	2	2	07530-00203	PISTÓN	1	-	71	71210-03800	ENSAMBLE DE SELLO DE INTENSIFICADOR	1
06	07002-00108	TUERCA NYLOK M6	2	-	07530-00204	LIMITADOR DE CARRERA	1	-	72	71211-02001	CUERPO MAQUINADO	1
07	07002-00134	TUERCA HEXAGONAL M4	3	-	07530-00206	FRANJA DE ROCE	1	1	73	71211-02002	CUBIERTA DE BASE MAQUINADA	1
08	07002-00153	ARANDELA M4 (PLÁSTICO)	2	-	07530-00208	ALOJAMIENTO DE MORDAZA	1	-	74	71211-02004	VARILLAS DE AMARRE	2
09	07003-00027	ANILLO 'O'	2	-	07530-00310	TAPÓN CIEGO	2	-	75	71211-02008	REVESTIMIENTO DE CILINDRO	1
10	07003-00113	ANILLO 'O'	2	2	07530-00500	Ensamble de TAPON DE PURGA (Artículos.83 a 86)	1	-	76	71213-02010	ENSAMBLE DE PLACA SUPERIOR	1
11	07003-00121	ANILLO 'O'	2	2	07530-02201	BARRIL	1	-	77	71221-02005	PLACA BASE	1
12	07003-00127	ANILLO 'O'	1	-	07530-02205	TAPÓN DE BARRIL	1	-	78	71221-02006	ARANDELA DE SELLADO	2
13	07003-00167	ANILLO 'O'	1	1	07530-02207	CILINDRO DE MORDAZA TRASERA	1	-	79	71221-20101	MOLDURA DE CONTADOR	1
14	07003-00418	ANILLO 'O'	2	-	07530-02213	TAPÓN TRASERO	1	-	80	71221-20102	TORNILLO M4 ESPECIAL	2
15	07003-00236	SELLO DE LABIO (DINÁMICO)	1	1	07530-02220	SUJETADOR	1	-	81	71221-20103	TUERCA DE RETENCIÓN DE MOLDURA	2
16	07003-00237	SELLO DE LABIO (ESTÁTICO)	2	-	07530-02302	CARRETE DE MORDAZA NEUMÁTICA TRASERA	1	-	82	71221-20105	CONTADOR MODIFICADO	1
17	07003-00271	ANILLO 'O'	1	-	07530-02603	TAPA DE EXTREMO	1	-	83	07003-00142	SELLO ADHERIDO	1
18	07003-00281	ANILLO 'O'	3	-	07530-02800	ENSAMBLE DE PISTÓN DE MORDAZA TRASERA	1	-	84	07003-00194	SELLO ADHERIDO	1
19	07003-00287	ANILLO 'O'	1	-	07537-00201	ETIQUETA (NO MOSTRADA)	2	-	85	07001-00442	TORNILLO	1
20	07003-00288	ANILLO 'O'	2	-	07537-00202	ETIQUETA (NO MOSTRADA)	1	-	86	07530-00501	TAPÓN	1
21	07003-00383	ANILLO 'O' -(I/D 3.00 Sec 1.00)	2	-	07537-00203	TUBO DE CONCERTINA DE MORDAZA TRASERA NEUMÁTICA	1	-	87	71211-03201	PISTÓN	1
22	07004-00058	ARANDELA DE CROMO STARLOCK 1/8"	1	-	07537-00204	BLOQUE DE INTERRUPTOR	1	-	88	07003-00280	ANILLO 'O'	1
23	07004-00059	ARANDELA STARLOCK 1/8" NEGRA	1	-	07537-00300	ENSAMBLE DE CABEZA	1	-	89	07003-00274	SELLO/LIMPIADOR	3
24	07005-00088	VALVULA DE GATILLO	1	-	07537-00400	ENSAMBLE DE MANIJA	1	-	90	71211-03202	VARILLA DE INTENSIFICADOR	1
25	07005-01274	TAPÓN BSP 1/8"	1	-	07537-00500	Ensamble DE PISTON NEUMÁTICO (87 a 96)	1	-	91	07537-00501	ESPAZIADOR	1
26					07537-00600	ENSAMBLE DE MOLDURA DE CUERPO 07537 - DERECHO	1	-	92	07001-00411	TORNILLO DE CABEZA C'SK M6x25	1
27	07005-01972	NIPLE ROSCADO TIPO L	1	-	07537-00700	ENSAMBLE DE MOLDURA DE CUERPO 07537 - IZQUIERDO	1	-	93	07007-01993	IMAN DE POSTE CENTRAL	1
28	07005-10057	VALVULA DE NO RETORNO	1	-	71210-02008	GATILLO	1	-	94	07002-00098	TUERCA NYLOK M5	1
29	07007-00017	TAPA DE POLVO	1	-	71210-02009	ASIENTO DE VALVULA	1	-	95	71221-20104	TORNILLO C'SK M5x19	1
30	07007-00224	CLAVIJA ESPRIAL LARGA DIA 3 x 10	2	-	63				96	71210-03205	ANILLO GUÍA	1
31	73200-02022	ETIQUETA DE SEGURIDAD	1	-	71210-02014	TUERCA DE ABRAZADERA	1	-	97	07001-00442	TORNILLO DE BOTÓN SKT HD LARGO M5 x 6	1
32	07007-01504	ETIQUETA DE MARCA CE (NO MOSTRADA)	1	-	71210-02024	CLAVIJA DE GATILLO	1	-	98	07002-00163	ARANDELA	2
33	07008-00010	MANGUERA FLEXIBLE DE 6"	1	-	71210-02031	SILENCIADOR	2	-				

## 7. CEBADO

El cebado SIEMPRE es necesario después de haber desmantelado la herramienta y antes de la operación. También puede ser necesario restaurar la carrera completa después del uso considerable, cuando la carrera se pueda reducir y los sujetadores no se coloquen en una operación del gatillo.

### 7.1 DETALLES DE ACEITE

El aceite recomendado para cebado es Hyspin® VG 32 disponible en contenedores de 0.5l (número de parte 07992-00002) o un galón (número de parte 07992-00006).

Encuentre la tabla específica y los datos de seguridad a continuación.

### 7.2 DATOS DE SEGURIDAD DE ACEITE HYSPIN® VG 32 Y AWS

#### Primeros auxilios

##### PIEL:

Lave minuciosamente con agua y jabón tan pronto como sea posible. El contacto casual no requiere ninguna atención inmediata. El contacto a corto plazo no requiere ninguna atención inmediata.

##### INGESTIÓN:

Busque atención médica de inmediato. NO induzca el vómito.

##### OJOS:

Enjuague inmediatamente con agua por varios minutos. Aunque NO es un irritante primario, puede ocurrir irritación menor después del contacto.

#### Fuego

Punto de inflamabilidad: 232°C. No clasificado como inflamable.

Medios de extinción adecuados: CO<sub>2</sub>, polvo seco, espuma o neblina de agua. NO use chorros de agua.

#### Medio ambiente

DISPOSICIÓN DE DESPERDICIO: A través de un contratista autorizado en un sitio con licencia. Se puede incinerar. El producto usado se puede enviar para reclamo.

DERRAMES: Evite el ingreso en drenajes, alcantarillas y cursos de agua. Absorba con material absorbente.

#### Manejo

Use protección para los ojos, guantes impermeables (por ej., PVC) y un delantal de plástico. Use en un área bien ventilada.

#### Almacenamiento

No hay precauciones especiales.

### 7.3 BOMBA DE CEBADO

Para que pueda seguir el procedimiento de cebado al lado, necesitará obtener una bomba de cebado 07900-00700.

### 7.4 PROCEDIMIENTO DE CEBADO

#### IMPORTANTE

**DESCONECTE LA HERRAMIENTA DEL SUMINISTRO DE AIRE O APAGUE LA VÁLVULA 70.**

**Todas las operaciones se deben realizar en un banco limpio, con las manos limpias en un área limpia.**

**Asegúrese que el aceite nuevo esté perfectamente limpio y libre de burbujas de aire.**

**Se DEBE tener cuidado en todo momento, para garantizar que no entre material extraño a la herramienta, de lo contrario puede resultar en daño serio.**

- Retire el tornillo de purga **85** y el sello adherido **84**.
- Conecte el suministro de aire a la herramienta y coloque la válvula de ABERTURA/CIERRE **70** en la posición de "ABIERTO".
- Voltee la herramienta sobre un recipiente adecuado y accione el gatillo. El aceite usado se expulsará a través del orificio del tornillo de purga.

**SE DEBE TENER CUIDADO PARA ASEGURARSE QUE EL ORIFICIO DE PURGA NO ESTÉ DIRIGIDO HACIA EL OPERADOR U OTRO PERSONAL.**

- Desconecte el suministro de aire a la herramienta y coloque la válvula de ABERTURA/CIERRE **70** en la posición de "CERRADO".

Los números de artículo en **negritas** se refieren al dibujo de ensamble general y lista de partes en las páginas 67-68.

- Llene la bomba de cebado con aceite.
- Enrosque la bomba de cebado 07900-00700 en el orificio del tornillo de purga con el sello adherido **84** en su lugar.
- Accione la bomba de cebado presionando hacia abajo y soltándola varias veces hasta que sienta resistencia.
- Retire la bomba de cebado.
- Reemplace el tornillo de purga **85** y el sello adherido **84**.
- Conecte el suministro de aire a la herramienta y coloque la válvula de ABERTURA/CIERRE **70** en la posición de "ABIERTO".
- Verifique que la carrera de la herramienta cumpla con las especificaciones mínimas de 30 milímetros. Para verificar la carrera, mida la distancia entre la parte trasera del cilindro de la mordaza trasera y las molduras del cuerpo, ANTES de presionar el gatillo y cuando el gatillo esté completamente accionado. La carrera es la diferencia entre las dos mediciones. Si no cumple con la especificación mínima, repita el procedimiento de cebado.

## 8. DIAGNÓSTICO DE FALLA

SÍNTOMA	CAUSA POSIBLE	REMEDIO	PÁGINA DE REF.
La herramienta no colocará el sujetador	Baja presión de aire.	Aumente la presión del aire	69
	Falta de lubricación.	Lubrique la herramienta en el punto de entrada de aire	
	Alta carga de brocha.	Verifique el agarre del sujetador y el tamaño del orificio de aplicación	
	Verifique el tamaño correcto del mandril.		
	Mordazas traseras desgastadas o rotas.	Nuevas mandíbulas traseras	
	Mordazas traseras apagadas.	Encienda las mordazas traseras	
	Aire en sistema hidráulico.	Ver "Procedimiento de cebado"	
"Deslizamiento del mandril" - las mordazas no sujetan el mandril	Mordazas traseras desgastadas o sucias.	Limpie o renueve conforme sea necesario	
	' Presión/volumen de aire insuficiente.	Incremente la presión/volumen de aire	
	' El interruptor de la mandíbula trasera no funciona.	Reemplace el interruptor	
	' Fugas de aire a las mandíbulas traseras.	Renueve los anillos 'O' 10 del ensamble de pistón 51	
	Mandril roto y no alcanza las mandíbulas traseras.	Reemplace el mandril	
	Válvula de no retorno defectuosa.	Reemplace la válvula de no retorno	
Las mordazas no liberarán el mandril  Los sujetadores no se alimentarán a través de las mordazas de punta	Mordazas traseras o alojamiento de mordaza sucios.	Limpie y lubrique	
	Interruptor de mandíbula trasera defectuoso.	Reemplace los anillos 'O'	
	Mordazas traseras no encendidas.	Encienda las mordazas traseras	
	Mordazas traseras gastadas.	Renueve las mandíbulas traseras	
	Orientación del cursor incorrecta.	Reajuste asegurando la orientación correcta	
	Mordazas de punta incorrectas.	Ajuste las mordazas de punta correctas	
	Resorte de seguidor de mandril no instalado.	Instale el resorte de seguidor del mandril correcto	
	Espacio incorrecto entre la cabeza del sujetador y las mordazas de punta cuando está cargado.	Ajuste el espacio a 1.5mm - 3mm (1/16" - 1/8") Consulte 'Carga de la herramienta'	
	Cursor atascado.	Limpie y aceite el cursor	
	Resorte exterior débil alrededor del cursor.	Renueve el cursor	
Resorte de seguidor de mandril incorrecto instalado.	Instale el resorte de seguidor del mandril correcto		
Desgaste excesivo de la mordaza	Alta carga de brocha.	Verifique el tamaño y el espesor del orificio de aplicación y la capacidad de agarre del sujetador	
Alimenta más de un sujetador a la vez	Deslizamiento del mandril.	Revise respecto a 'Deslizamiento de mandril', etapa 2	60
	Espacio incorrecto entre la cabeza del sujetador y las mordazas de punta cuando está cargado	Ajuste el espacio a 1.5mm - 3mm (1/16" - 1/8") Consulte 'Carga de la herramienta'	

Se deben informar otros síntomas o fallas a su distribuidor autorizado de Stanley Engineered Fastening o al centro de reparación.

## 9. DECLARACIÓN DE CONFORMIDAD EC

Nosotros, **Stanley Engineered Fastening, Stanley House, Works Road, Letchworth Garden City, Hertfordshire, SG6 1JY UNITED KINGDOM**, declaramos bajo nuestra exclusiva responsabilidad que el producto:

**Descripción:** Herramienta de repetición hidroneumática para remaches rápidos

**Modelo:** 07537

con el que se relaciona esta declaración cumple con las siguientes normas armonizadas:

ISO 12100:2010	EN ISO 3744:2010
EN ISO 11202:2010	EN ISO 11148-1:2011
EN ISO 4413:2010	BS EN 28662-1:1993
EN ISO 4414:2010	EN ISO 20643:2008+A1:2012
EN ISO 28927-5:2009+A1:2015	ES100118-rev 17:2017

La documentación técnica se compila de acuerdo con el Anexo VII, de acuerdo con la siguiente Directiva: **Directiva de Maquinaria 2006/42/EC** (Instrumentos Estatuarios 2008 No 1597 - Referido al Suministro de regulaciones de maquinaria (Seguridad)).

El abajo firmante hace esta declaración en nombre de STANLEY Engineered Fastening



**A. K. Seewraj**

**Director de Ingeniería, Reino Unido**

Avdel UK Limited, Stanley House, Works Road, Letchworth Garden City, Hertfordshire, SG6 1JY REINO UNIDO

**Lugar de emisión:** Letchworth Garden City, Reino Unido

**Fecha de emisión:** 01-01-2021

El abajo firmante es responsable de la recopilación del archivo técnico para los productos vendidos en la Unión Europea y realiza esta declaración en nombre de Stanley Engineered Fastening.

**Matthias Appel**

**Documentación Técnica de Líder de Equipo**

Stanley Engineered Fastening, Tucker GmbH, Max-Eyth-Str.1, 35394 Gießen, Alemania



Esta maquinaria cumple con  
Directiva de Maquinaria 2006/42/EC

**STANLEY**  
Engineered Fastening



## 10. DECLARACIÓN DE CONFORMIDAD DEL REINO UNIDO

Nosotros, **Stanley Engineered Fastening, Stanley House, Works Road, Letchworth Garden City, Hertfordshire, SG6 1JY UNITED KINGDOM**, declaramos bajo nuestra exclusiva responsabilidad que el producto:

**Descripción:** **Herramienta de repetición hidroneumática para remaches rápidos**


**Modelo:** **07537**

con el que se relaciona esta declaración cumple con las siguientes normas designadas:

ISO 12100:2010	EN ISO 3744:2010
EN ISO 11202:2010	EN ISO 11148-1:2011
EN ISO 4413:2010	BS EN 28662-1:1993
EN ISO 4414:2010	EN ISO 20643:2008+A1:2012
EN ISO 28927-5:2009+A1:2015	ES100118-rev 17:2017

La documentación técnica se recopila de acuerdo con las Regulaciones de Suministro de Maquinaria (Seguridad) de 2008, S.I. 2008/1597 (conforme se modifiquen).

El abajo firmante hace esta declaración en nombre de STANLEY Engineered Fastening



**A. K. Seewraj**

**Director de Ingeniería, Reino Unido**

Avdel UK Limited, Stanley House, Works Road, Letchworth Garden City, Hertfordshire, SG6 1JY REINO UNIDO

**Lugar de emisión:** **Letchworth Garden City, Reino Unido**

**Fecha de emisión:** **01-01-2021**



Esta maquinaria cumple con  
Regulaciones de Suministro de Maquinaria (Seguridad) 2008,  
S.I. 2008/1597 (conforme se modifique)

## 11. ¡PROTEJA SU INVERSIÓN!

### **Stanley® Engineered Fastening GARANTÍA DE HERRAMIENTA DE REMACHE CIEGO**

STANLEY® Engineered Fastening garantiza que todas las herramientas eléctricas se han fabricado cuidadosamente y que estarán libres de defectos de material y mano de obra en condiciones normales de uso y servicio por un período de un (1) año.

Esta garantía se aplica al comprador por primera vez de la herramienta sólo para uso original.

#### **Exclusiones:**

##### **Uso y desgaste normal.**

El mantenimiento periódico, la reparación y las partes de repuesto debido al desgaste normal se excluyen de la cobertura.

##### **Abuso y mal uso.**

Los defectos o daños que resultan de una operación, almacenamiento inadecuados, mal uso o abuso, accidente o negligencia, como daños físicos, están excluidos de la cobertura.

##### **Servicio o modificación no autorizados.**

Los defectos o daños resultantes del servicio, ajuste de prueba, instalación, mantenimiento, alteración o modificación de cualquier manera por parte de cualquier persona que no sea STANLEY® Engineered Fastening, o sus centros de servicio autorizados, están excluidos de la cobertura.

Se excluyen todas las demás garantías, ya sean expresas o implícitas, incluidas las garantías de comerciabilidad o idoneidad para un propósito.

Si esta herramienta no cumple con la garantía, devuélvala de inmediato a nuestro centro de servicio autorizado de fábrica más cercano. Para obtener una lista de los Centros de servicio autorizados de STANLEY® Engineered Fastening en los EUA o Canadá, contáctenos en nuestro número de larga distancia gratuito (877) 364 2781.

Fuera de los EUA y Canadá, visite nuestro sitio web **[www.StanleyEngineeredFastening.com](http://www.StanleyEngineeredFastening.com)** para encontrar la ubicación de sujeción de STANLEY Engineered Fastening más cercana.

STANLEY Engineered Fastening entonces reemplazará, sin cargo, cualquier parte o partes que consideremos defectuosas debido a un material o mano de obra defectuosos, y devolverá la herramienta con envío prepago. Esto representa nuestra única obligación bajo esta garantía.

En ningún caso, STANLEY Engineered Fastening será responsable de ningún daño consecuente o especial que surja de la compra o uso de esta herramienta.

#### **Registre su herramienta de remache ciego en línea.**

Para registrar su garantía en línea, visítenos en

<https://www.stanleyengineeredfastening.com/support/warranty-registration-form>

Gracias por elegir una herramienta de la marca Stanley Assembly Technologies de STANLEY® Engineered Fastening.

©2021 STANLEY Black & Decker  
 Todos os direitos reservados.

As informações fornecidas aqui não podem ser reproduzidas e/ou publicadas de qualquer forma e através de qualquer meio (eletrônica ou mecanicamente) sem a permissão prévia explícita e por escrito da STANLEY Engineered Fastening. As informações fornecidas baseiam-se em dados conhecidos no momento do lançamento de esse produto. A STANLEY Engineered Fastening segue uma política de melhoria contínua de produtos, por isso seus produtos podem sofrer alterações. As informações fornecidas aqui se aplicam ao produto entregue pela STANLEY Engineered Fastening. Logo, a STANLEY Engineered Fastening não pode ser responsabilizada por qualquer dano resultante de desvios das especificações originais do produto.

As informações disponíveis foram elaboradas com o máximo cuidado. No entanto, a STANLEY Engineered Fastening não aceitará responsabilidade por quaisquer falhas de informação ou suas conseqüências resultantes disso. A STANLEY Engineered Fastening não aceitará qualquer responsabilidade por danos provenientes de atividades realizadas por terceiros. Os nomes de trabalho, nomes comerciais, marcas comerciais registradas etc. utilizadas pela STANLEY Engineered Fastening não devem ser considerados livres nos termos da legislação referentes à proteção das marcas.

<b>1. DEFINIÇÕES DE SEGURANÇA</b> .....	<b>76</b>
1.1 REGRAS GERAIS DE SEGURANÇA .....	76
1.2 PERIGOS DE PROJÉTEIS .....	76
1.3 PERIGOS OPERACIONAIS .....	77
1.4 PERIGOS DE MOVIMENTOS REPETITIVOS .....	77
1.5 PERIGOS DE ACESSÓRIOS .....	77
1.6 PERIGOS NO LOCAL DE TRABALHO .....	77
1.7 PERIGOS DE RUÍDO .....	78
1.8 PERIGOS DE VIBRAÇÃO .....	78
1.9 INSTRUÇÕES ADICIONAIS DE SEGURANÇA PARA FERRAMENTAS ELÉTRICAS PNEUMÁTICAS .....	78
<b>2. ESPECIFICAÇÕES</b> .....	<b>79</b>
2.1 ESPECIFICAÇÃO PARA FERRAMENTA 07537 .....	79
2.2 DIMENSÕES DA FERRAMENTA .....	79
<b>3. USO PRETENDIDO</b> .....	<b>80</b>
<b>4. COLOCAR EM SERVIÇO</b> .....	<b>81</b>
4.1 ALIMENTAÇÃO DE AR .....	81
4.2 CURSORES MECÂNICOS .....	82
4.3 CURSOR .....	83
4.4 CARREGANDO E RECARREGANDO A FERRAMENTA .....	83
4.5 COMO CARREGAR A FERRAMENTA .....	84
4.6 COMO CARREGAR A FERRAMENTA .....	84
4.7 PROCEDIMENTO OPERACIONAL .....	84
4.8 EQUIPAMENTO DE APLICAÇÃO .....	84
<b>5. MANUTENÇÃO DA FERRAMENTA</b> .....	<b>85</b>
5.1 DIARIAMENTE .....	85
5.2 SEMANALMENTE .....	85
5.3 DADOS DE SEGURANÇA DA GRAXA MOLILÍCIO EP 3753 .....	85
5.4 DADOS DE SEGURANÇA DA GRAXA MOLYKOTE® 55M .....	86
5.5 DADOS DE SEGURANÇA DA GRAXA MOLYKOTE® 111 .....	86
5.6 CONJUNTOS DE MANUTENÇÃO .....	87
<b>6. MANUTENÇÃO</b> .....	<b>88</b>
6.1 DESMONTAGEM 07537-00200 .....	88
6.2 PROTEÇÃO AO MEIO AMBIENTE .....	90
6.3 CONJUNTO GERAL DA FERRAMENTA 07537-00200 .....	91
6.4 LISTA DE PEÇAS DA FERRAMENTA 07537-00200 .....	92
<b>7. ESCORVA</b> .....	<b>93</b>
7.1 DETALHES DO ÓLEO .....	93
7.2 DADOS DE SEGURANÇA DO ÓLEO HYPIN® VG 32 E AWS .....	93
7.3 BOMBA DE ESCORVA .....	93
7.4 PROCEDIMENTO DE ESCORVA .....	93
<b>8. DIAGNÓSTICO DE AVARIAS</b> .....	<b>95</b>
<b>9. DECLARAÇÃO DE CONFORMIDADE DA CE</b> .....	<b>96</b>
<b>10. DECLARAÇÃO DE CONFORMIDADE DO REINO UNIDO</b> .....	<b>97</b>
<b>11. PROTEJA O SEU INVESTIMENTO!</b> .....	<b>98</b>



Esse manual de instruções deve ser lido por qualquer pessoa que vai instalar ou operar essa ferramenta, e com atenção especial para as seguintes regras de segurança.



Sempre use óculos de proteção resistente a impacto durante a operação da ferramenta. O grau de proteção necessário deve ser avaliado antes de cada uso.



Uso da ferramenta pode expor as mãos do operador a perigos de esmagamento, impacto, cortes, abrasões e calor. Use luvas apropriadas para proteger suas mãos.



Use proteção auricular de acordo com as instruções do empregador e como exigido por as regulações de saúde e segurança no trabalho.

## 1. DEFINIÇÕES DE SEGURANÇA

As definições abaixo descrevem o nível de gravidade de cada palavra de sinalização. Por favor, leia o manual e preste atenção nestes símbolos.

- PERIGO:** Indica uma situação de perigo iminente que, se não for evitada, poderá resultar em morte ou ferimentos graves.
- ATENÇÃO:** Indica uma situação potencialmente perigosa que, se não for evitada, pode resultar em morte ou lesões corporais graves.
- CUIDADO:** Indica uma situação potencialmente perigosa que, se não for evitada, talvez resulte em ferimentos menores ou moderados.
- CUIDADO:** Usado sem o símbolo de alerta de segurança indica uma situação potencialmente perigosa que, se não for evitada, poderá resultar em danos materiais.

***A operação ou manutenção inadequada deste produto pode resultar em ferimentos graves e danos materiais. Leia e entenda todos os avisos e instruções operacionais antes de utilizar este equipamento. Ao utilizar ferramentas elétricas, siga sempre as precauções básicas de segurança para reduzir o risco de lesões corporais.***

### **GUARDE TODOS AS ADVERTÊNCIAS E INSTRUÇÕES PARA CONSULTA FUTURA**

#### 1.1 REGRAS GERAIS DE SEGURANÇA

- Para conhecer seus vários perigos, leia e compreenda as instruções de segurança antes de instalar, operar, reparar, manter, trocar acessórios ou trabalhar próximo da ferramenta. Seu não cumprimento pode resultar em danos corporais graves.
- Somente operadores qualificados e treinados podem instalar, ajustar ou usar a ferramenta.
- NÃO use o produto fora de sua aplicação prevista no projeto da Rebitadeiras de Rebite Cego da STANLEY Engineered Fastening.
- Use somente peças, rebites e acessórios recomendados pelo fabricante.
- NÃO modifique a ferramenta. Modificações podem reduzir a eficiência das medidas de segurança e aumentar os riscos para o operador. Qualquer modificação na ferramenta realizada por o cliente será de sua inteira responsabilidade e invalida quaisquer garantias aplicáveis.
- Não descarte as instruções de segurança, as entregue ao operador.
- Não use a ferramenta se estiver danificada.
- Antes de usar, verifique se há desalinhamentos ou junções de peças móveis, quebra de peças e quaisquer outras condições que afetem o funcionamento da ferramenta. Se ela estiver danificada, envie-a à manutenção antes de usá-la. Remova chaves de ajuste ou chaves fixa antes de usá-la.
- Inspeccione as ferramentas periodicamente para verificar se as classificações e marcações obrigatórias para essa peça por ISO 11148 estão visivelmente marcadas na ferramenta. O empregador/usuário deve contatar o fabricante para obter rótulos de marcação de reposição sempre que necessário.
- A ferramenta deve ser sempre mantida em condição operacional segura, e examinada por pessoal treinado em intervalos regulares quanto ao seu funcionamento e à presença de danos. Qualquer procedimento de desmontagem deve ser realizado apenas por pessoal treinado. Não desmonte esta ferramenta sem consultar antes as instruções de manutenção.

#### 1.2 PERIGOS DE PROJÉTEIS

- Desconecte a bateria da ferramenta antes de executar qualquer manutenção, tentar ajustar, encaixar ou remover um conjunto de nariz ou acessórios.
- Esteja atento que avaria na peça de trabalho ou acessórios, ou mesmo em a ferramenta pode gerar projéteis a alta velocidade.
- Sempre use óculos de proteção resistente a impacto durante a operação da ferramenta. O grau de proteção necessário deve ser avaliado antes de cada uso.

- Avalie ao mesmo tempo os riscos para os outros.
- Se certifique que a peça de trabalho está bem presa.
- Controle se os meios de proteção contra ejeção de os grampos e/ou mandril está em seu lugar e está operacional.
- Avise contra a possível ejeção forçada de mandris na parte frontal da ferramenta.
- NÃO opere a ferramenta direcionada a(s) pessoa(s).

### 1.3 PERIGOS OPERACIONAIS

- O uso da ferramenta pode expor as mãos do operador a perigos de esmagamento, impacto, cortes, abrasões e calor. Use luvas apropriadas para proteger suas mãos.
- Os operadores e pessoal de manutenção devem ser fisicamente capazes de manejar o volume, peso e potência da ferramenta.
- Segure a ferramenta corretamente; esteja pronto a contrariar movimentos normais ou repentinos, e tenha sempre as duas mãos disponíveis.
- Mantenha cabos de ferramentas secos, limpos e sem óleo e graxa.
- Tenha uma posição do corpo equilibrada e com os pés bem pousados durante a operação da ferramenta.
- Solte o mecanismo de partida-e-parada no caso de interrupção em a alimentação hidráulica.
- Use somente lubrificantes recomendados por o fabricante.
- Evite contato com o fluido hidráulico. Para minimizar a possibilidade de erupções, tome cuidado para lavar o local cuidadosamente se o contato ocorrer.
- As Fichas de Especificações de Segurança do Material para todos os óleos e lubrificantes hidráulicos estão disponíveis em seu fornecedor local da ferramenta a pedido.
- Evite posturas não apropriadas, porque essas posições não permitem contrariar movimentos normais ou repentinos da ferramenta.
- Se a ferramenta está fixa a um mecanismo de suspensão, se certifique que a fixação é segura.
- Tenha cuidado com o risco de esmagamento se o equipamento do nariz não estiver montado.
- NÃO opere a ferramenta sem o invólucro do nariz.
- Antes de operar a ferramenta, seus operadores precisam limpar as mãos adequadamente.
- Quando transportar a ferramenta de um lugar a outro, mantenha as mãos afastadas do gatilho para evitar um acionamento acidental.
- NÃO trate mal a ferramenta, a derrubando ou usando como martelo.
- Tome cuidado para assegurar que os mandris gastos não se tornem um perigo.

### 1.4 PERIGOS DE MOVIMENTOS REPETITIVOS

- Quando estiver usando a ferramenta, o operador pode experimentar algum desconforto em suas mãos, braços, ombros, pescoço ou outras partes do corpo.
- Quando estiver usando a ferramenta, o operador deve adotar uma postura confortável ao mesmo tempo que tem os pés bem colocados e evitar posturas desajeitadas ou sem equilíbrio. O operador deve mudar sua postura durante tarefas longas; isso pode ajudar a evitar desconforto e fadiga.
- Se o operador sente sintomas como desconforto, dor, dor latejante, zumbido, dormência, sensação de queimadura ou rigidez, persistente ou recorrente, não deve ignorar esses sinais de aviso. O operador deve informar o empregador e consultar um profissional de saúde.

### 1.5 PERIGOS DE ACESSÓRIOS

- Desconecte a ferramenta da alimentação de ar antes de montar ou remover o conjunto ou acessório do nariz.
- Use somente tamanhos e tipos de acessórios e consumíveis recomendados por o fabricante da ferramenta; não use outros tipos ou tamanhos de acessórios ou consumíveis.

### 1.6 PERIGOS NO LOCAL DE TRABALHO

- Escorregar, tropeçar e quedas são as causas principais de ferimentos no local de trabalho. Tenha cuidado com superfícies deslizantes causadas por o uso da ferramenta e também de perigo de tropeçar causado por as linhas de ar e tubos hidráulicos.
- Em ambientes que não conhece proceda com cuidado. Pode ter perigos escondidos, como linhas de eletricidade e outros serviços.
- A ferramenta não serve para usar em ambientes potencialmente explosivos e não está isolada contra contato com energia elétrica.
- Se certifique que não tem cabos elétricos, tubos de gás, etc. que possam causar um perigo se danificado por a ferramenta.
- Use vestuário adequado. Não use roupas largas ou jóias. Mantenha cabelos, roupas e luvas longe das peças móveis. Roupas largas, jóias ou cabelos longos podem ficar presos nas peças móveis.
- Tome cuidado para assegurar que os mandris gastos não se tornem um perigo.

### 1.7 PERIGOS DE RUÍDO

- Exposição a altos níveis de ruído pode causar perda de audição permanente e outros problemas, como tinnitus (sons ressoantes, zumbidos, assobios ou zumbidos nos ouvidos). Por isso, a avaliação de risco e implementação de controles apropriados para esses perigos é essencial.
- Controles apropriados para reduzir esse risco podem incluir ações como materiais silenciadores para prevenir ruído sonante das peças de trabalho.
- Use proteção auricular de acordo com as instruções do empregador e como exigido por as regulações de saúde e segurança no trabalho.
- Opere e mantenha a ferramenta como recomendado em o Manual de Instruções, para evitar um aumento desnecessário do nível de ruído.

### 1.8 PERIGOS DE VIBRAÇÃO

- Exposição a vibração pode causar lesões incapacitantes para os nervos e circulação de sangue nas mãos e braços.
- Use roupa quente se estiver trabalhando no exterior no frio e mantenha suas mãos quentes e secas.
- Se você experimentar dormência, zumbido, dor ou descoloração da pele em os dedos das mãos e mãos, pare de usar a ferramenta, informe seu empregador e consulte um médico.
- Sempre que possível, apóie o peso da ferramenta em um suporte, tensionador ou balanceador, porque assim pode usar um toque mais leve para suportar a ferramenta.

### 1.9 INSTRUÇÕES ADICIONAIS DE SEGURANÇA PARA FERRAMENTAS ELÉTRICAS PNEUMÁTICAS

- O ar de alimentação operacional não deve exceder 7 bar (100 PSI).
- Ar sob pressão pode causar ferimentos graves.
- Nunca deixe a ferramenta funcionando sozinha sem vigilância. Desconecte a mangueira hidráulica quando a ferramenta não está sendo usada, antes de trocar acessórios ou antes de começar reparações.
- NÃO deixe a abertura de exaustão de ar no coletor de mandril virado para direção do operador ou de outras pessoas. Nunca dirija o ar contra você ou outra pessoa.
- Tubos chicoteando pode causar ferimentos graves. Sempre verifique se os tubos ou fixações têm danos ou estão frouxos.
- Antes do uso, verifique se há danos nas tubulações de ar, todas as conexões precisam estar seguras. Não deixe cair objetos pesados nas mangueiras. Um forte impacto pode causar danos internos e levar a avarias precoces do tubo.
- Dirija sempre ar frio para longe de suas mãos.
- Sempre que sejam usados acoplamentos de flexão-torção (acoplamento de garra), deve instalar pinos de trava e controle se é necessário usar cabos de segurança para proteger contra possíveis falhas de conexão entre tubo-ferramenta ou tubo-tubo.
- NÃO levante a ferramenta pelas mangueiras. Sempre utilize a empunhadura da ferramenta.
- Orifícios de ventilação não devem estar bloqueados ou cobertos.
- Não pode ter penetração de sujeira e objetos estranhos no sistema hidráulico da ferramenta, isso pode causar um funcionamento incorreto.

**⚠ ATENÇÃO:** Apesar de ocorrer naturalmente algum gasto e marcação através da utilização normal e correta de mandris, esses devem ser regularmente examinados para ver se tem gasto e marcações excessivas, com particular atenção ao diâmetro da cabeça, área de aderência da garra de cauda ou picadura pesada na espiga ou distorção do mandril. Mandris que falham durante o uso podem sair forçadamente da ferramenta. É da responsabilidade do cliente garantir que os mandris são substituídos antes de ter níveis excessivos ou gasto e sempre antes do número de colocações máximo recomendado. Contate seu representante STANLEY Engineered Fastening que irá dar a conhecer qual é esse número, medindo a carga da brocha de sua aplicação com nossa ferramenta de medição calibrada.

**A política da STANLEY Engineered Fastening tem como objetivo a melhoria e o desenvolvimento contínuos dos produtos. Assim, reservamo o direito de alterar as especificações de qualquer produto sem aviso prévio.**

## 2. ESPECIFICAÇÕES

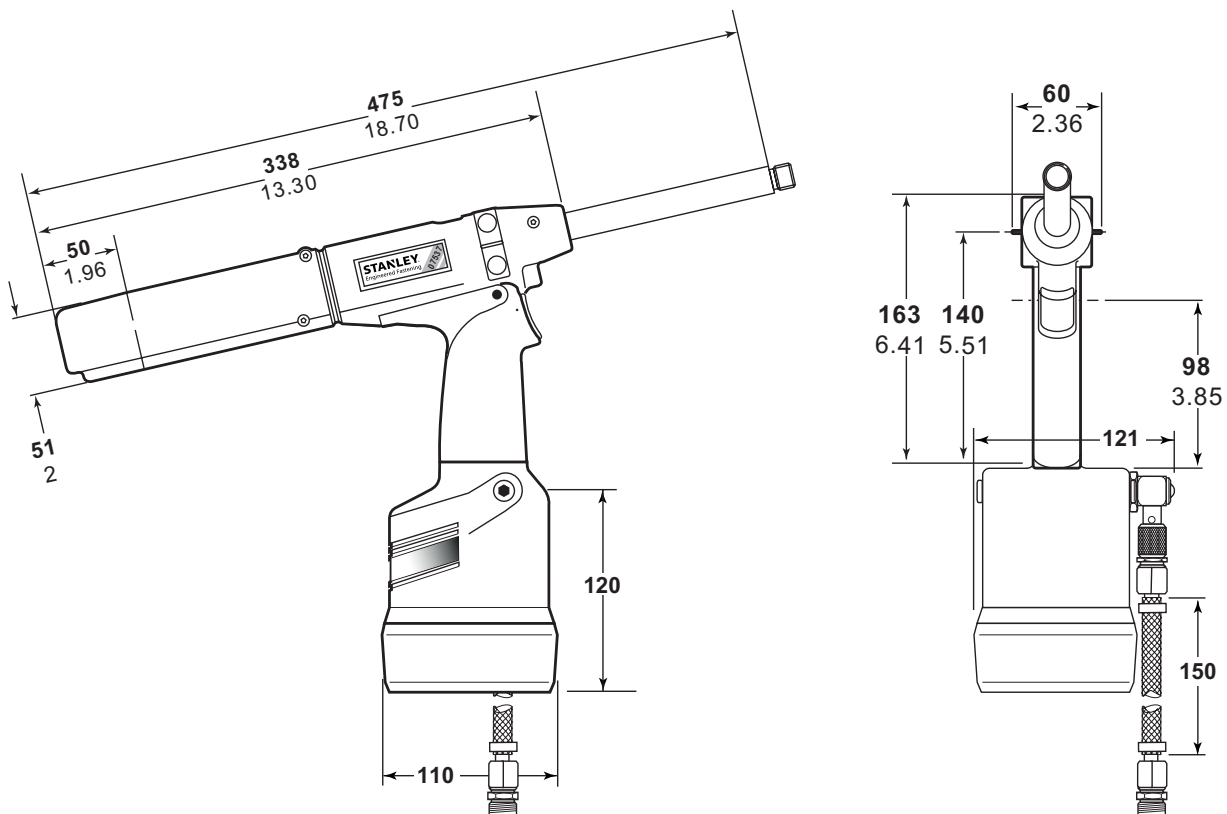
### 2.1 ESPECIFICAÇÃO PARA FERRAMENTA 07537

<b>Pressão de Ar</b>	Mínimo - Máximo	5 -7 bar (70 -100 lbf/pol <sup>2</sup> )
<b>Volume de Ar Livre Necessário</b>	@ 5,1 bar/75 lbf/in <sup>2</sup>	2,6 litros (0,09 pés <sup>3</sup> )
<b>Curso</b>	Mínimo	28,0 mm (1,10 pol)
<b>Força de Tração</b>	@ 5,5 bar/80 lbf/in <sup>2</sup>	3,89 kN (875 lbf)
<b>Tempo de Ciclo</b>	Aproximadamente	1 segundo
<b>Peso</b>	Ferramentas	2,3 kg (5,06 lb)

Valores de ruído determinados de acordo com o teste de ruído do código ISO 15744 e ISO 3744.		07537
Nível acústico ponderado A dB(A), L <sub>WA</sub>	Incerteza de ruído: k <sub>WA</sub> = 2,3 dB(A)	76,1 dB(A)
Emissão de som com Nível acústico ponderado A na estação de trabalho dB(A), L <sub>pA</sub>	Incerteza de ruído: k <sub>pA</sub> = 2,3 dB(A)	65,1 dB(A)
Nível de pressão de som com emissão de pico com ponderado C cN(C), L <sub>pC</sub> pico	Incerteza de ruído: k <sub>pC</sub> = 2,5 dB(C)	91,7 dB(C)
Valores de vibração determinados de acordo com o código do teste de ruído ISO 20643 e ISO 5349.		07537
Nível de emissão de vibração, a <sub>hd</sub> :	Incerteza de vibração: k = 0,11 m/s <sup>2</sup>	0.42 m/s <sup>2</sup>
Valores de emissão de vibração declarados de acordo com EN 12096		

### 2.2 DIMENSÕES DA FERRAMENTA

Número de Peça 07537-00200



### 3. USO PRETENDIDO

A ferramenta 07537 pneumática é uma ferramenta manual leve projetada para colocar rebites de fixação rápida da Stanley Engineered Fastening (exceto 1/16" Avlug®) tornando-a ideal para montagem na linha de fluxo ou lote em uma ampla variedade de aplicações em todos os setores.

Os números de peça são mostrados para montar uma ferramenta completa, mas sem equipamento de nariz.

O número de peça da ferramenta para o modelo 07537 é 07537-00200. Confira as informações gerais nas páginas 91-92.

A ferramenta colocará a maioria dos rebites de repetição, como mostrado na tabela abaixo.

A ferramenta é usada com o equipamento de nariz específico. Consulte a seção do equipamento de nariz do manual de acessórios (07900-09508) quando selecionar componentes compatíveis para o tipo e tamanho do fixador usado em seu aplicativo.

**NÃO** use na presença de umidade ou de gases e líquidos inflamáveis.

NOME DO REBITE	TAMANHO DO REBITE											
	3/32"	1/8"	5/32"	3/16"	1/4"	2,5 mm 2,8 mm	3 mm	3,5 mm	4 mm	6 mm	M2.5 4-40 UNC	M3 6-32 UNC
CHOBERT®	●	●	●	●	●							
GROVIT®	●	●	●	●								
AVLUG®	●	●										
BRIV®	●	●	●	●						●		
RIVSCREW®						●	●	●	●			
AVTRONIC®						●						
AVSERT®											●	●
NEOSPEED(R)		●	●	●								



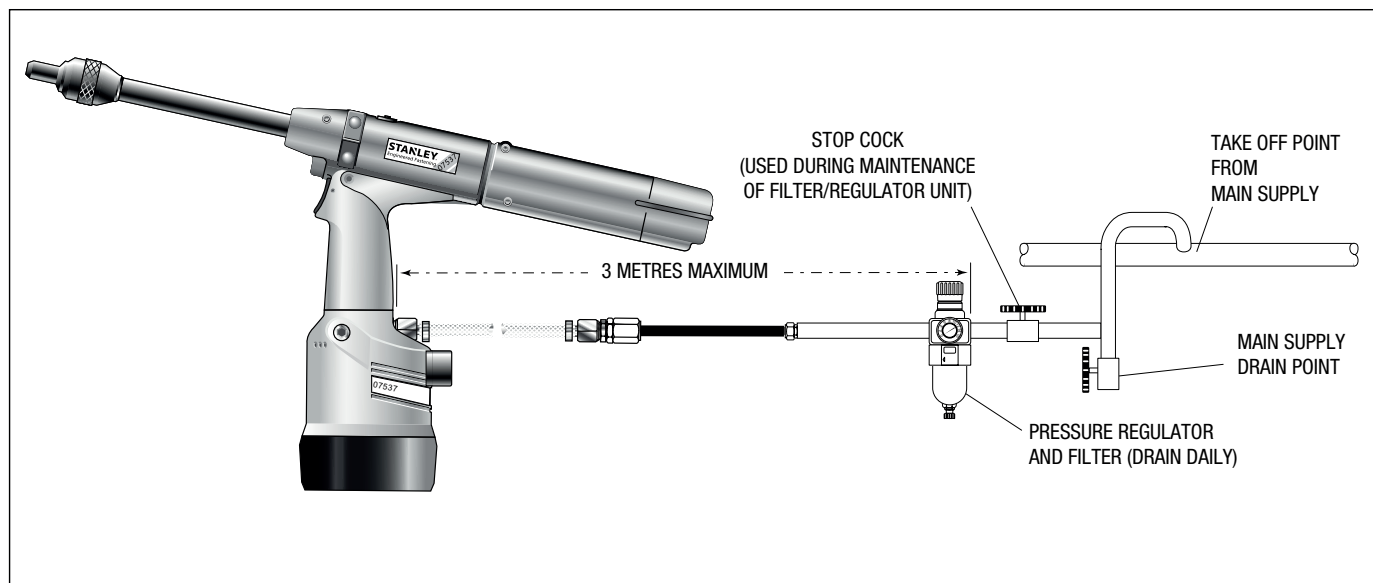
## 4. COLOCAR EM SERVIÇO

### 4.1 ALIMENTAÇÃO DE AR

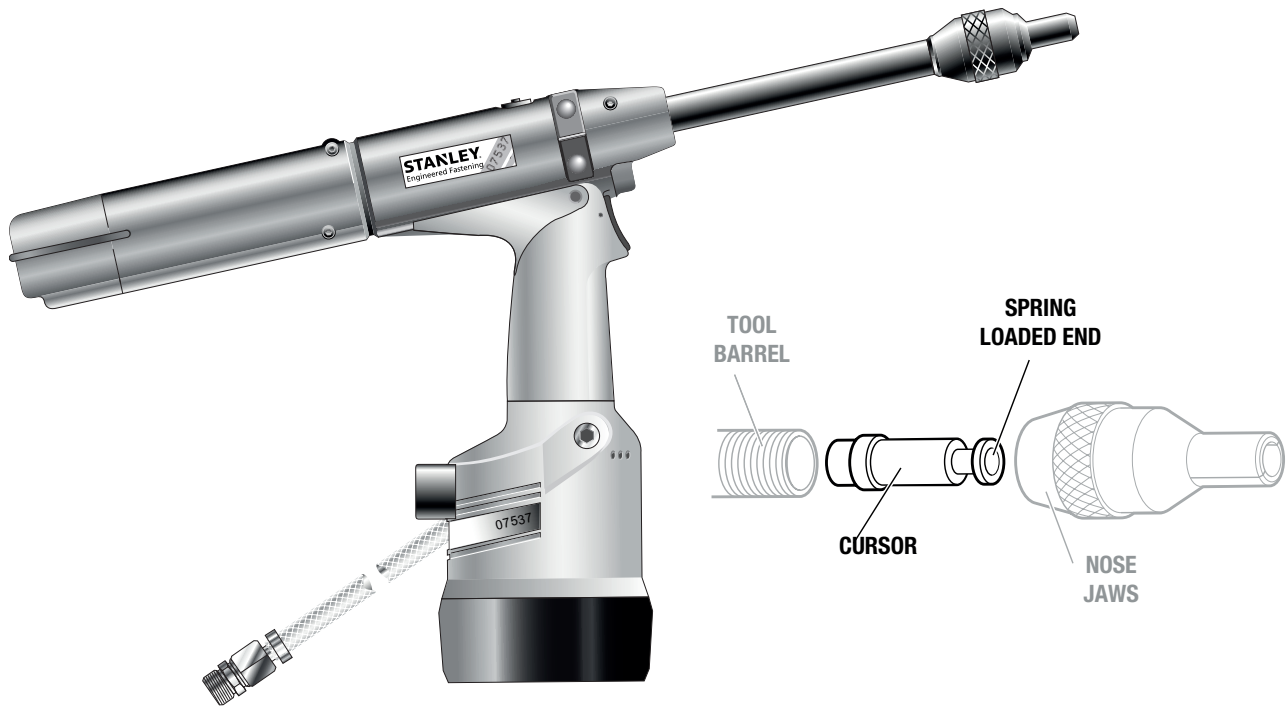
Todas as ferramentas são operadas com ar comprimido a uma pressão ideal de 5,5 bar. Recomendamos o uso de reguladores de pressão e sistemas de filtragem na alimentação de ar principal. Eles devem ser encaixados dentro de 3 metros da ferramenta (veja o diagrama abaixo) para garantir um tempo de vida máximo da ferramenta e mínima manutenção.

Mangueiras de alimentação de ar devem um nível mínimo de pressão efetiva operacional de 150% da pressão máxima produzida no sistema ou 10 bar, o que for mais alto. As mangueiras de ar devem ser à prova de óleo, ter um exterior resistente à abrasão, e blindadas, onde as condições operacionais possam danificá-las. Todas as mangueiras de ar PRECISAM ter um diâmetro interno mínimo de 6,4 milímetros ou 1/4 polegadas.

Leia a página de detalhes de manutenção diária 85.



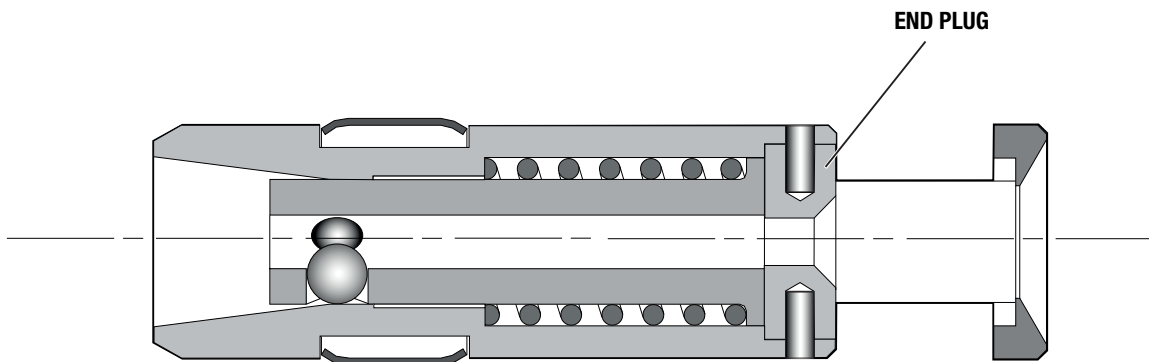
## 4.2 CURSORES MECÂNICOS



Para referência, há três tipos diferentes de cursores mecânicos:

- 07271-01100 Usado para mandris standard e mandris descartáveis 5/32"
- 07279-05843 Usado para mandris descartáveis 1/8"
- 07279-05845 Usado para mandris descartáveis 3/16"

A diferença nas montagens acima é o diâmetro interno do plugue de extremidade.



Eles são codificados por cores, veja abaixo:

NÚMERO DE PEÇA DO CURSOR MECÂNICO	NÚMERO DE PEÇA DO PLUGUE DE EXTREMIDADE	COR	DIÂMETRO DO ORIFÍCIO (mm)
07271-01100	07150-00402	AÇO SIMPLES	2,7
07279-05843	07159-05844	OURO	2,2
07279-05845	07159-05846	PRATA	3,3

### 4.3 CURSOR

**IMPORTANTE**

**Se montado corretamente, o curso não permite alimentação de rebites.**

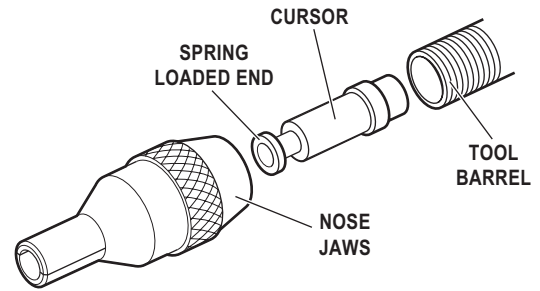
Enquanto o curso irá estar montado na direção correta quando a ferramenta é entregue, recomendamos que vocês verifique sua orientação antes de montar o equipamento do nariz. A extremidade do cursor, com carregamento por mola e ligeiramente côncava deve estar apontando para a frente da ferramenta, como exibido na ilustração.

Se montado na direção correta, o cursor desliza facilmente para fora do tambor quando o mandril é empurrado para seu centro e em seguida puxado para trás.

Para reverter a orientação do cursor, siga os passos seguintes:

Os números dos itens em **negrito** referem-se à lista de peças e do conjunto geral para o 07537--00200 nas páginas 91-92.

- Remova o grampo 48 e deslize a tampa final **50**.
- Usando uma chave Allen, remova um parafuso de cabeça cilíndrica **5** garantindo que qualquer ar preso seja removido. Remova o segundo parafuso de cabeça cilíndrica **5**.
- Puxe o plugue traseiro **47**.
- Puxe o conjunto do pistão da garra de cauda **51** junto com as garras **34**.
- Levante a mola **35** e a caixa da garra **41**.
- Insira um mandril no orifício na extremidade traseira da trava **44** até que saia pela dianteira da trava e puxe o mandril e o cursor juntos pela dianteira.
- Remonte os componentes na ordem inversa.
- Insira o conjunto do cursor mecânico **36** na dianteira da trava. Corrija o caminho.



### 4.4 CARREGANDO E RECARREGANDO A FERRAMENTA

**IMPORTANTE**

**O procedimento para descarregar a ferramenta e o ajuste do equipamento do nariz para a ferramenta é integral.**

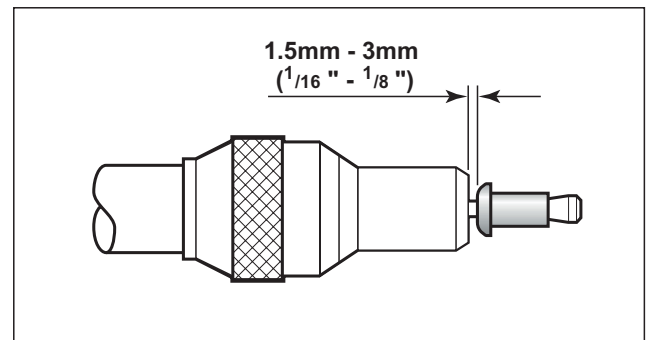
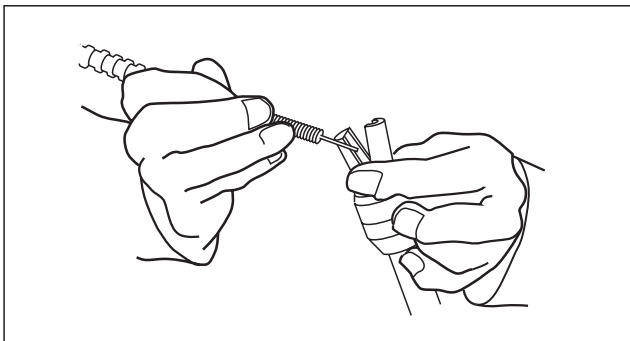
Quando solicitar uma ferramenta ou sistema completo, você normalmente é fornecido com todo o equipamento do nariz necessário para o fixador ser colocado. Para identificar os componentes do equipamento do nariz ou selecionar os elementos correto, leia a seção do equipamento do nariz no manual de acessórios (07900-09508).

Se você forneceu uma garra de nariz, mandris e molas do seguidor do mandril, continue com o carregamento da ferramenta e ajuste o equipamento do nariz conforme mostrado no folheto.

Os números dos itens em **negrito** referem-se à lista de peças e do conjunto geral para o 07537--00200 nas páginas 91-92.

#### 4.5 COMO CARREGAR A FERRAMENTA

- Conecte a alimentação de ar na ferramenta.
- Abra as garras de caudas **34** que seguram o mandril, desligando a chave da garra de cauda (itens **22** e **23**).
- Aparafuse as garras de cauda selecionadas no tambor **44** da ferramenta.
- \* Insira um mandril na extremidade da cauda dos fixadores através da bolsa de papel.
- Deslize o seguidor do mandril no mandril garantindo a orientação correta, como mostrado na tabela da página 85.
- Segurando a extremidade da cauda do mandril, remova o saco de papel que está em volta dos fixadores.
- Abra as garras do nariz, ou girando o anel exterior nas garras operadas por came, ou empurrando para fora as extremidades das garras, como ilustrado infra à esquerda.
- Insira o mandril previamente montado, mola que segue o mandril e fixadores em as garras do nariz até que o primeiro fixador a ser colocado esteja saindo da garra do nariz.
- Feche as garras do nariz e ajuste para que o primeiro fixador saia cerca de 1,5mm a 3mm ( $1/16''$  a  $1/8''$ ), como mostrado na ilustração abaixo à direita.
- Feche as garras de caudas para garantir que o mandril seja fixado, ligando a chave da garra de cauda (itens **22** e **23**).



#### 4.6 COMO CARREGAR A FERRAMENTA

- Abra as garras da cauda **34** da ferramenta.
- Abra as garras de nariz e puxe o mandril vazio e a mola do seguidor do mandril para fora da ferramenta.
- Recarregue a ferramenta seguindo as instruções acima, começando no estágio •\*.

#### 4.7 PROCEDIMENTO OPERACIONAL

##### IMPORTANTE

**Você deve verificar que a orientação do cursor e o equipamento no nariz estejam corretos antes de tentar operar a ferramenta.**

- Empurre o fixador, saindo das garras do nariz, totalmente nos orifícios da aplicação para garantir que a ferramenta seja mantida quadrada.
- Opere o gatilho sem liberar - o cabeçote do mandril é puxado pelo fixador, formando o fixador na aplicação.
- Remova a ferramenta.
- Solte o gatilho. O próximo fixador será apresentado automaticamente por meio das garras de nariz, prontas para aplicação.

#### 4.8 EQUIPAMENTO DE APLICAÇÃO

Todo o equipamento do nariz, mandris, molas do seguidor e outros acessórios podem ser encontrados no manual de acessórios (número de peça 07900-09508)

## 5. MANUTENÇÃO DA FERRAMENTA

Manutenções regulares devem ser executadas e uma inspeção abrangente precisa ser realizada anualmente ou a cada 500.000 ciclos, ou o que ocorrer primeiramente.

### IMPORTANTE

**O empregador é responsável por certificar que as instruções de manutenção da ferramenta são entregues ao pessoal apropriado.**

**O operador não deve estar envolvido em a manutenção ou reparação da ferramenta, exceto se tem o treinamento adequado.**

### 5.1 DIARIAMENTE

- Diariamente antes do uso ou quando colocar a ferramenta em serviço pela primeira vez. Coloque algumas gotas de óleo lubrificante leve e limpo na entrada de ar da ferramenta, se não houver nenhum lubrificador montado na alimentação de ar. Se a ferramenta estiver em uso contínuo, a mangueira de ar deve ser desligada da fonte de alimentação de ar e a ferramenta lubrificada a cada duas até três horas.
- Verifique se há vazamentos de ar e óleo. Se deve substituir tubos e acoplamentos com dano.
- Se não houver um filtro no regulador de pressão, purgue o tubo de ar para limpá-lo de água e sujeira acumuladas antes de conectar a mangueira de ar ao intensificador. Se houver um filtro, drene-o.
- Confira que o equipamento do nariz está correto.
- Confira os mandris regularmente por sinais de desgaste ou danos monitorando o número de posicionamentos (leia as instruções de segurança na página 76-78).
- Verifique se a tampa base está completamente apertada no corpo.

### 5.2 SEMANALMENTE

- Conduza os procedimentos “Diários” completos como descrito acima.
- Remova, inspecione, limpe e lubrifique as garras da cauda (consulte “Cilindro da garra da cauda” na “Seção de Manutenção”, página 88).

**CUIDADO - Nunca use solventes ou outros produtos químicos para a limpeza das partes não metálicas da ferramenta. Estes Esses produtos químicos podem enfraquecer os materiais utilizados nestas partes.**

### 5.3 DADOS DE SEGURANÇA DA GRAXA MOLILÍCIO EP 3753

Pode encomendar a graxa como um artigo único, o número de peça se encontra no Conjunto de Manutenção na página 87.

#### Primeiros Socorros

##### PELE:

Como a graxa é completamente resistente a água, é melhor remover com um creme de limpeza de pele emulsificante aprovado.

##### INGESTÃO:

Se certifique que tem bebidas individuais 30ml de Leite de Magnésio, preferencialmente em um copo de leite.

##### OLHOS:

Irritante mas não prejudicial. Irrigue com água e procure um médico.

#### Fogo

PONTO DE IGNIÇÃO: Acima de 220°C.

Não classificado como inflamável.

Agente de extinção apropriado: CO<sub>2</sub>, Halon ou pulverização de água se aplicado por um operador experiente.

#### Meio-Ambiente

Recolha para incineração ou descarte em local aprovado.

#### Manuseio

Use creme de proteção ou luvas resistentes a óleo

#### Armazenamento

Afastado de agentes de calor e oxidação.

#### 5.4 DADOS DE SEGURANÇA DA GRAXA MOLYKOTE® 55M

##### Primeiros Socorros

###### PELE:

Lave com água. Limpe.

###### INGESTÃO:

Não é necessário primeiros socorros.

###### OLHOS:

Lave com água.

##### Fogo

PONTO DE IGNIÇÃO: Superior a 101.1°C. (Tampa fechada)

Propriedades Explosivas: Não

Agente de extinção apropriado: Espuma de Dióxido de Carbono, Pó Seco ou pulverizador fino de água.

Se pode usar água para resfriar contêineres expostos a fogo.

##### Meio-Ambiente

Não permita que grandes quantidades entrem em drenos ou águas de superfície.

Métodos para limpeza: Remova e coloque em um recipiente adequado com uma tampa. O produto derramado produz uma superfície extremamente escorregadia.

Perigoso para organismos aquáticos e pode causar efeitos adversos de longo prazo no ambiente aquático. No entanto, devido à forma física e à insolubilidade na água do produto, a biodisponibilidade é insignificante.

##### Manuseio

Se recomenda ventilação geral. Evite contato com a pele e os olhos.

##### Armazenamento

Não guarde junto com agentes oxidantes. Mantenha o contêiner fechado e guarde afastado de água ou umidade.

#### 5.5 DADOS DE SEGURANÇA DA GRAXA MOLYKOTE® 111

##### Primeiros Socorros

###### PELE:

Não é necessário primeiros socorros.

###### INGESTÃO:

Não é necessário primeiros socorros.

###### OLHOS:

Não é necessário primeiros socorros.

###### INALAÇÃO:

Não é necessário primeiros socorros.

##### Fogo

PONTO DE IGNIÇÃO: Superior a 101.1°C. (Tampa fechada)

Propriedades Explosivas: Não

Agente de extinção apropriado: Espuma de Dióxido de Carbono, Pó Seco ou pulverizador fino de água.

Se pode usar água para resfriar contêineres expostos a fogo.

##### Meio-Ambiente

Não se prevê efeitos adversos.

##### Manuseio

Se recomenda ventilação geral. Evite contato com os olhos.

##### Armazenamento

Não guarde junto com agentes oxidantes. Mantenha o contêiner fechado e guarde afastado de água ou umidade.

### 5.6 CONJUNTOS DE MANUTENÇÃO

Para toda a manutenção, recomendamos o uso dos seguintes conjuntos de manutenção.

<b>CONJUNTO DE MANUTENÇÃO: 07900-05300</b>		As chaves são especificadas em polegadas e planas, a menos indicado em contrário.			
<b>Nº DA PEÇA DO ITEM</b>	<b>DESCRIÇÃO</b>	<b>Nº DESLIGADO</b>	<b>Nº DA PEÇA DO ITEM</b>	<b>DESCRIÇÃO</b>	<b>Nº DESLIGADO</b>
07900-00157	ALICATES GRAMPO	1	07900-00352	GANCHO DE REMOÇÃO DA VEDAÇÃO	1
07900-00006	ESPÁTULA	1	07900-00710	CHAVE DE REMOÇÃO DO PLUGUE DO TAMBOR	1
07900-00446	EXTRATOR	1	07900-00725	BALA	1
07900-00603	GARRAS DO TORNO DO TAMBOR	1	07900-00243	CHAVE DE FENDAS	1
07900-00520	HASTE DE 3/8"	1	07900-00717	CHAVE DO INTENSIFICADOR	1
07900-00521	HASTE DE 1/4"	1	07900-00013	CHAVE ALLEN DE 1/8"	1
07900-00602	BALA DO CONJUNTO DO ANEL O	1	07900-00617	PACOTE MULTIGAXETAS LOCTITE® 574 50ml	1
07900-00595	CHAVE 18mm	1	07900-00469	CHAVE ALLEN 2,5mm	1
07900-00434	CHAVE 32mm	1	07900-00351	CHAVE ALLEN 3mm	1
07900-00237	CHAVE 3/8" x 5/16" B.S.W.	1	07900-00224	CHAVE ALLEN 4mm	1
07900-00012	CHAVE DE 9/16" x 5/8"	1	07900-00225	CHAVE ALLEN 5mm	1
07900-00008	CHAVE DE 7/16" x 1/2"	1	07992-00020	LATA DE GRAXA DE MOLILÍCIO 80g EP 3753	1

<b>CONJUNTO DE MANUTENÇÃO: 71210-99990</b>		As chaves são especificadas em polegadas e planas, a menos indicado em contrário.			
<b>Nº DA PEÇA DO ITEM</b>	<b>DESCRIÇÃO</b>	<b>Nº DESLIGADO</b>	<b>Nº DA PEÇA DO ITEM</b>	<b>DESCRIÇÃO</b>	<b>Nº DESLIGADO</b>
07900-00667	MANCAL DO PISTÃO	1	07900-00157	ALICATES GRAMPO	1
07900-00692	EXTRATOR DA VÁLVULA DE DISPARO	1	07900-00008	CHAVE DE 7/16 x 1/2	1
07900-00670	BALA	1	07900-00012	CHAVE DE 9/16 x 5/8	1
07900-00672	CHAVE EM "T"	1	07900-00015	CHAVE DE 5/8 x 11/16	1
07900-00706	TORNEIRA DE LOCALIZAÇÃO	1	07900-00686	CHAVE DE CAVILHA	1
07900-00684	TUBO GUIA	1	07900-00677	EXTRATOR DE VEDAÇÃO	1
07900-00685	HASTE DE INSERÇÃO	1	07900-00698	PORCA BATENTE	1
07900-00351	CHAVE ALLEN 3 MM	1	07900-00700	BOMBA DE ESCORVA	1
07900-00469	CHAVE ALLEN 2,5 MM	1	07992-00020	GRAXA - MOLILÍCIO E.P.3753	1
07900-00158	PUNÇÃO DE 2 MM	1	07992-00075	GRAXA - MOLYLKOTE® 55M	1
			07900-00775	GRAXA - MOLYLKOTE® 111	1

## 6. MANUTENÇÃO

As linhas suspensas devem ser totalmente desmontadas e usar novos componentes para substituir os gastos, danificados ou conforme recomendado. Todos os anéis O e vedações devem ser renovados e lubrificados com graxa Molykote® 55m para vedação pneumática ou Molykote® III para vedação hidráulica.

### IMPORTANTE

**As instruções de segurança aparecem na página 76-78.**

**O empregador é responsável por certificar que as instruções de manutenção da ferramenta são entregues ao pessoal apropriado.**

**O operador não deve estar envolvido em a manutenção ou reparação da ferramenta, exceto se tem o treinamento adequado.**

As linhas suspensas devem ser desconectadas antes de qualquer manutenção ou desmontagem, a menos instruído em contrário. Recomendamos que qualquer operação de desmontagem seja realizada em condições limpas.

Antes de desmontar a ferramenta, você precisará remover o equipamento do nariz.

Para a manutenção total da ferramenta, aconselhamos proceder a desmontagem dos subconjuntos na ordem mostrada. Substâncias possivelmente perigosas que podem ser depositadas na máquina como resultado dos processos de trabalho devem ser removidas antes da manutenção.

### 6.1 DESMONTAGEM 07537-00200

#### REMOÇÃO DOS MOLDES DA CABEÇA

- Gire manualmente o grampo **48** e remova a tampa final **50**.
- Usando uma chave Allen\*, remova os três parafusos de fixação **2** e as porcas **7** do conjunto do corpo da ferramenta e um parafuso **97** da moldagem do corpo esquerdo **60**.
- Remova a montagem do corpo direito e esquerdo **59** e **60**.
- Monte na ordem inversa da desmontagem.

#### CONJUNTO DO PISTÃO PNEUMÁTICO

- Fixe o corpo **72** da ferramenta invertida nas saliências de entrada de ar e um torno com mandíbulas macias.
- Puxe a capa de borracha **67**.
- Usando a chave de cavilha\*, desparafuse a tampa base **73**.
- Desparafuse as porcas de bloqueio **6** (2 off) e remova a placa base **77**.
- Remova o revestimento do cilindro **75**, junto com as arruelas de vedação **78** (2 off) e anéis O **9** (2 off).
- Remova o conjunto do pistão pneumático **58** do corpo **72** junto com o anel O, a vedação com selo (3 off) e anel guia.
- Monte na ordem inversa.

#### CONJUNTO DA BOBINA DA VÁLVULA

- Remova o conjunto do pistão pneumático **58** e o conjunto da vedação do intensificador **71** conforme descrito imediatamente acima.
- Usando a chave em "T"\* e a torneira de localização\* desfaça a porca de fixação **64** e remova junto com a placa superior **76**, hastes de ligação **74** e conjunto do tubo de transferência **69**.
- Libere a ferramenta do torno e separe o corpo **72** com o anel O **20** do conjunto da alça **57**.
- Puxe o conjunto da cabeça **56** do conjunto da alça **57** e remova o anel O **19** do tubo intensificador.
- Puxe a base da válvula **62** junto com ambos os anéis O **18** (2 off).
- Remova todos os componentes do conjunto da bobina da válvula **68**.
- Por fim, remova o anel O **18** do núcleo do contador da alça.
- Monte na ordem inversa para desmontar garantindo que a porta central na base da válvula **62** esteja virada para cima em direção ao anel O **17**.

\* Refere-se aos itens pertencentes aos conjuntos de manutenção 07900-05300 e 71210-99990. Para obter uma lista completa, confira a página 87.

Os números dos itens em **negrito** referem-se à lista de peças e conjunto geral nas páginas 91-92.



**GATILHO**

- Usando a punção de 2 milímetros\*, direcione o pino de disparo **65** para fora e remova o gatilho **61**.
- Desparafuse a válvula de disparo **24** usando o extrator da válvula de disparo\*.
- Monte na ordem inversa da desmontagem.

**CILINDRO DA GARRA DE CAUDA**

- Usando uma chave Allen\*, remova um parafuso **5**, garantindo que qualquer ar preso no cilindro da garra de cauda seja removido. Remova o segundo parafuso de cabeça cilíndrica **5**.
- Puxe o plugue traseiro **47**.
- Extraia os componentes da garra de cauda, incluindo conjunto do pistão da garra de cauda **51**, mola **35**, garras **34** e caixa da garra **41**.
- Remova o plugue na traseira do conjunto do pistão usando a chave Allen\* e uma barra por meio da entrada grande no tambor.
- Limpe o tambor usando uma broca de 4,7mm (3/16") e substitua o plugue usando um composto de vedação não-rígido, por exemplo, Loctite® Multi-gaxeta 574\*.
- Remova o anel O **10** da vedação do pistão.
- Segure o tambor **44** em um torno usando garras macias para evitar danos.
- Usando uma chave de boca\*, desparafuse o plugue do tambor **45**, impedindo que o tambor **44** gire usando uma chave de boca fixa\*.
- Desconecte o tubo concertina **54** do conjunto da cabeça e puxe o cilindro da garra de cauda **46** da ferramenta.
- Remova o anel O **13**, a fita de proteção **40** e a mola de retorno do tambor **37**.
- O comprimento livre da mola **35** deve ser de 38,1mm (1,5"). Substitua, se necessário.
- Revista as garras de cauda com graxa molílitio antes de montar.
- Monte na ordem inversa da desmontagem.

**PISTÃO HIDRÁULICO**

- Remova o cilindro da garra de cauda **46** como descrito anteriormente.
- Segure o conjunto da cabeça **56** em um torno usando garras macias para evitar danos, desfaça o limitador de curso **39**.
- Usando uma chave Allen\*, afrouxe o parafuso **3** que está fixando o bloco alternado **55** ao barril **44**.
- Usando uma chave Allen\*, remova o bloco alternado **55** e o anel O **21**, removendo o parafuso de fixação **4**.
- Segure a ferramenta firmemente e puxe o barril **44** do corpo (uma pequena quantidade de óleo hidráulico pode ser ejetado dentro do corpo).
- Remova o pistão **38** cuidadosamente para não danificar o núcleo da caixa.
- Remova a vedação com selo **15**.
- A vedação com selo **16** é difícil de remover sem danificar, mas pode permanecer no lugar durante a limpeza (desde que não seja afetado pelo processo de limpeza). No entanto, se a vedação com selo **16** exigir renovação, faça o seguinte:
- Usando uma espátula\*, retire a vedação **16** do conjunto da cabeça **56**, cuidando para não danificar a cavidade da cabeça e os núcleos. A vedação com selo **16** removida DEVE ser descartada.
- Para substituir a vedação com selo **16**, desparafuse o plugue de sangria **43** até que a face interna esteja nivelada com o núcleo interno do conjunto da cabeça **56**. Isso fornecerá uma passagem suave para inserção da nova vedação com selo **16** pela traseira da caixa.
- Garanta que a vedação com selo **16** esteja bem lubrificada e a forma correta redonda com a extremidade aberta da vedação esteja virada para a garra de cauda traseira.
- Monte completamente na ordem inversa da desmontagem.

**VÁLVULA LIGA/DESLIGA DA GARRA DE CAUDA**

- A unidade é elaborada para que o mínimo de manutenção seja necessário durante a vida útil da ferramenta.

\* Refere-se aos itens pertencentes aos conjuntos de manutenção 07900-05300 e 71210-99990. Para obter uma lista completa, confira a página 87.

Os números dos itens em **negrito** referem-se à lista de peças e conjunto geral nas páginas 91-92.

- Se for necessário desmontar a válvula, proceda da seguinte forma:
- Remova o bloco alternado **55** como descrito na seção "Pistão hidráulico".
- Usando uma chave de fenda\*, remova cuidadosamente a arruela de trava em estrela cromada **22** do carretel da garra de cauda de ar **49** e descarte-a.
- Extraia o carretel da garra de cauda de ar **49** do bloco de chaves **55**.
- Com cuidado para não danificar o carretel da garra de cauda de ar **49**, remova os anéis O **11**.
- Limpe o carretel e encaixe novos anéis O **11** usando a bala do conjunto\* e insira no bloco de chaves **55**, observando sua orientação.
- Ajuste a nova arruela de bloqueio estrela cromada **22** fixando o torno usando as garras macias para impedir danos. **NÃO USE FORÇA INDEVIDA.**
- Monte completamente na ordem inversa da desmontagem.

#### **ALÇA E TAMPA FINAL**

- Limpe e inspecione os moldes por rachaduras e outros danos.

#### **CURSOR**

- Limpe e lubrifique o cursor mecânico **36** ocasionalmente com um pouco de óleo leve.

### **6.2 PROTEÇÃO AO MEIO AMBIENTE**

Assegure conformidade com as regras aplicáveis de descarte. Descarte todos os produtos resíduo em uma estação ou local aprovado de resíduos para não expor o pessoal e o meio-ambiente a perigos.

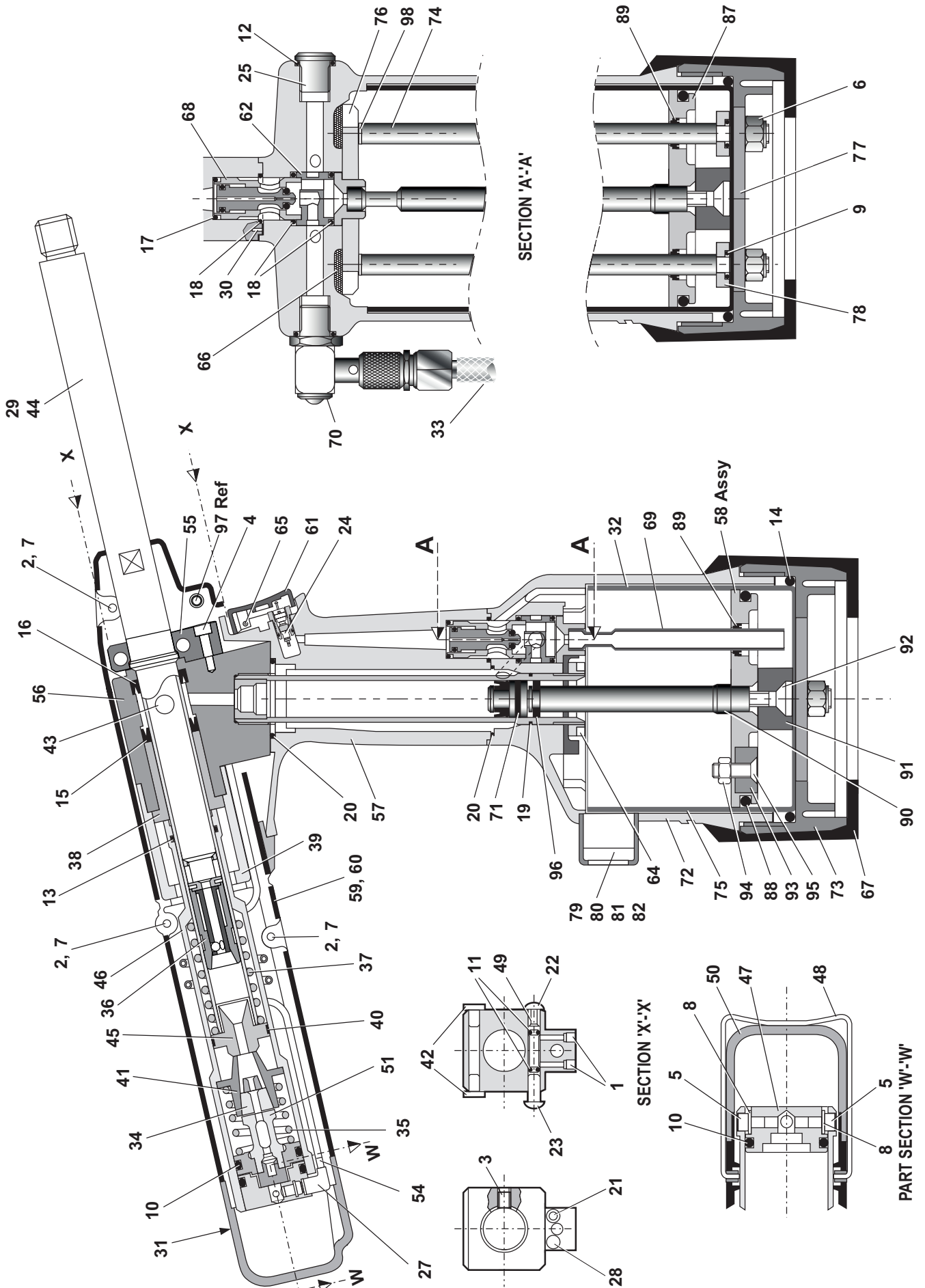
#### **IMPORTANTE**

**Confira a ferramenta por serviço diário e semanal.  
A escorva é SEMPRE necessária após a ferramenta ser desmontada e antes da abertura.**

\* Refere-se aos itens pertencentes aos conjuntos de manutenção 07900-05300 e 71210-99990. Para obter uma lista completa, confira a página 87.

Os números dos itens em **negrito** referem-se à lista de peças e conjunto geral nas páginas 91-92.

6.3 CONJUNTO GERAL DA FERRAMENTA 07537-00200



6.4 LISTA DE PEÇAS DA FERRAMENTA 07537-00200

07537-00200 LISTA DE PEÇAS														
ITEM	Nº DE PEÇA	DESCRIÇÃO	QTD	PEÇAS DE REPOSIÇÃO	ITEM	Nº DE PEÇA	DESCRIÇÃO	QTD	PEÇAS DE REPOSIÇÃO	ITEM	Nº DE PEÇA	DESCRIÇÃO	QTD	PEÇAS DE REPOSIÇÃO
01	07001-00223	PARAFUSO SEM CABEÇA HD SOQUETE LONGO M4 x 5	2	-	34	07151-00403	GARRAS	2	2	67	71210-02055	CAPA DE BORRACHA	1	-
02	07001-00401	PARAFUSO DE TAMPA HD SOQUETE LONGO M4 x 10	3	-	35	07154-00404	MOLA	1	-	68	71210-03400	CONJUNTO DA BOBINA DA VALVULA	1	-
03	07001-00404	PARAFUSO DE AJUSTE HD SOQUETE LONGO M5 x 6	1	-	36	07271-01100	CURSOR MECÂNICO	1	-	69	07537-00810	CONJUNTO DO TUBO DE TRANSFERÊNCIA	1	-
04	07001-00445	PARAFUSO DE TAMAPA HD SOQUETE LONGO M4 x 15	1	-	37	07490-03002	MOLA DE RETORNO DO TAMBOR	1	-	70	71210-03700	CONJUNTO DA VALVULA LIGA/ DESLIGA	1	-
05	07001-00504	PARAFUSO DE TAMAPA HD SOQUETE LONGO M4 x 6	2	2	38	07530-00203	PISTÃO	1	-	71	71210-03800	CONJUNTO DE VEDAÇÃO DO INTENSIFICADOR	1	-
06	07002-00108	PORCA NYLOK M6	2	-	39	07530-00204	LIMITADOR DE CURSO	1	-	72	71211-02001	CORPO USINADO	1	-
07	07002-00134	PORCA SEXTAVADA M4	3	-	40	07530-00206	FITA DE PROTEÇÃO	1	1	73	71211-02002	TAMPA BASE USINADA	1	-
08	07002-00153	ARRUELA M4 (PLÁSTICA)	2	-	41	07530-00208	CAIXA DA GARRA	1	-	74	71211-02004	TIRANTES	2	-
09	07003-00027	ANEL O	2	-	42	07530-00310	PLUGUE OBTURADOR	2	-	75	71211-02008	REVESTIMENTO DO CILINDRO	1	-
10	07003-00113	ANEL O	2	2	43	07530-00500	CONJUNTO DO PLUGUE DE SANGRIA ITENS 83-A 861	1	-	76	71213-02010	CONJUNTO DE PLACA SUPERIOR	1	-
11	07003-00121	ANEL O	2	2	44	07530-02201	TAMBOR	1	-	77	71221-02005	PLACA BASE	1	-
12	07003-00127	ANEL O	1	-	45	07530-02205	PLUGUE DO TAMBOR	1	-	78	71221-02006	ARRUELA DE VEDAÇÃO	2	-
13	07003-00167	ANEL O	1	1	46	07530-02207	CILINDRO DA GARRA DE CAUDA	1	-	79	71221-20101	MOLDAGEM DO BALÇAO	1	-
14	07003-00418	ANEL O	2	-	47	07530-02213	PLUGUE TRASEIRO	1	-	80	71221-20102	PARAFUSO M4 ESPECIAL	2	-
15	07003-00236	VEDAÇÃO COM SELO (DINÂMICA)	1	1	48	07530-02220	GRAMPO	1	-	81	71221-20103	PORCA DE RETENÇÃO DO MOLDE	2	-
16	07003-00237	VEDAÇÃO COM SELO (ESTÁTICA)	2	-	49	07530-02302	CARRETEL DA GARRA DE CAUDA DE AR	1	-	82	71221-20105	BALÇAO MODIFICADO	1	-
17	07003-00271	ANEL O	1	-	50	07530-02603	TAMPA FINAL	1	-	83	07003-00142	VEDAÇÃO METALIZADA	1	1
18	07003-00281	ANEL O	3	-	51	07530-02800	CONJUNTO DO PISTÃO DA GARRA DE CAUDA	1	-	84	07003-00194	VEDAÇÃO METALIZADA	1	1
19	07003-00287	ANEL O	1	-	52	07537-00201	ETIQUETA (NÃO MOSTRADA)	2	-	85	07001-00442	TRAVA	1	-
20	07003-00288	ANEL O	2	-	53	07537-00202	ETIQUETA (NÃO MOSTRADA)	1	-	86	07530-00501	PLUGUE	1	-
21	07003-00383	ANEL O (D/I 3.00 Sec 1.00)	2	-	54	07537-00203	TUBO CONCERTINA DA GARRA DE CAUDA DE AR	1	-	87	71211-03201	PISTÃO	1	-
22	07004-00058	ARRUELA DE BLOQUEIO ESTRELA 1/8" CROMADA	1	-	55	07537-00204	BLOCO ALTERNADO	1	-	88	07003-00280	ANEL O	1	1
23	07004-00059	ARRUELA DE BLOQUEIO ESTRELA 1/8" PRETA	1	-	56	07537-00300	CONJUNTO DA CABEÇA	1	-	89	07003-00274	VEDAÇÃO/LIMPADOR	3	-
24	07005-00088	VALVULA DE DISPARO	1	-	57	07537-00400	CONJUNTO DA ALÇA	1	-	90	71211-03202	HASTE DO INTENSIFICADOR	1	-
25	07005-01274	PLUGUE 1/8" BSP	1	-	58	07537-00500	CONJUNTO DO PISTÃO PNEUMÁTICO (87 A 96)	1	-	91	07537-00501	ESPAÇADOR	1	-
26				-	59	07537-00600	CONJUNTO DE MOLDAGEM DO CORPO 07537 - DIREITO	1	-	92	07001-00411	PARAFUSO DE CABEÇA M6x25 C5K	1	-
27	07005-01972	BICO ROSQUEADO TIPO L	1	-	60	07537-00700	CONJUNTO DE MOLDAGEM DO CORPO 07537 - ESQUERDO	1	-	93	07007-01993	ÍMÃ DO POLO CENTRAL	1	-
28	07005-10057	VALVULA DE NÃO RETORNO	1	-	61	71210-02008	GATILHO	1	-	94	07002-00098	PORCA NYLOK M5	1	-
29	07007-00017	GUARDA PÓ	1	-	62	71210-02009	BASE DA VALVULA	1	-	95	71221-20104	PARAFUSO M5x19 C5K	1	-
30	07007-00224	PINO ESPIRAL LONGO DIA 3 x 10	2	-	63				-	96	71210-03205	ANEL GUJA	1	-
31	73200-02022	RÓTULO DE SEGURANÇA	1	-	64	71210-02014	PORCA DE FIXAÇÃO	1	-	97	07001-00442	PARAFUSO TIPO BOTAO HD SOQUETE LONGO M5 x 6	1	-
32	07007-01504	ETIQUETA DE MARCAÇÃO DA CE (NÃO MOSTRADA)	1	-	65	71210-02024	PINO DE GATILHO	1	-	98	07002-00163	ARRUELA	2	-
33	07008-00010	MANGUEIRA FLEXÍVEL 6"	1	-	66	71210-02031	SILENCIADOR	2	-					

## 7. ESCORVA

A escorva é SEMPRE necessária após a ferramenta ser desmontada e antes da abertura. Pode ser necessário restaurar o curso completo após uso considerável, quando o curso pode ser reduzido e os fixadores não estejam totalmente posicionados por uma operação do gatilho.

### 7.1 DETALHES DO ÓLEO

O óleo recomendado para escorva é o Hyspin® VG 32 disponível em 0,5 l (número de peça 07992-00002) ou contêineres de um galão (número de peça 07992-00006).

Encontre a tabela específica e os dados de segurança abaixo.

### 7.2 DADOS DE SEGURANÇA DO ÓLEO HYSPIN® VG 32 E AWS

#### Primeiros Socorros

##### PELE:

Lave cuidadosamente com água e sabão, assim que possível. O contato casual não exige atenção imediata. O contato breve não exige atenção imediata.

##### INGESTÃO:

Busque atenção médica imediatamente. NÃO induza o vômito.

##### OLHOS:

Irrigue imediatamente com água por vários minutos. Embora NÃO seja muito irritante, uma pequena irritação pode ocorrer após o contato.

#### Fogo

Ponto de ignição: 232°C. Não classificado como inflamável.

Agente de extinção apropriado: CO<sub>2</sub>, pó seco, vapor ou névoa de água. NÃO use jatos de água.

#### Meio-Ambiente

DESCARTE DE ÁGUA: Por meio do contratado autorizado para um local licenciado. Pode ser incinerado. O produto usado pode ser enviado para reclamação.

DERRAMAMENTO: Impeça a entrada de drenos, esgotos e cursos de água. Seque com material absorvente.

#### Manuseio

Use proteções de olhos, luvas impermeáveis (por exemplo, de PVC) e um avental de plástico. Use em área bem ventilada.

#### Armazenamento

Nenhuma precaução especial.

### 7.3 BOMBA DE ESCORVA

Para permitir que você siga o procedimento de escorva, será necessário obter uma bomba de escorva 07900-00700.

### 7.4 PROCEDIMENTO DE ESCORVA

#### IMPORTANTE

#### **DESCONECTE A FERRAMENTA DO SUPRIMENTO DE AR OU DESLIGUE NA VÁLVULA 70.**

**Todas as operações devem ser realizadas em uma bancada limpa, com mãos limpas e em uma área limpa.**

**Garanta que o novo óleo esteja perfeitamente limpo e livre de bolhas de ar.**

**DEVE-SE ter cuidado a todo o tempo para garantir que nenhum material estranho entre na ferramenta ou poderá resultar em danos graves.**

- Remova o parafuso de sangria **85** e a vedação metalizada **84**.
- Conecte o suprimento de ar à ferramenta e coloque a válvula **70** na posição "ON".
- Inverta a ferramenta em um recipiente adequado e acione o gatilho. O óleo residual deve ser ejetado pelo orifício do parafuso de sangria.

#### **TOME CUIDADO PARA GARANTIR QUE O ORIFÍCIO DE SANGRIA NÃO ESTEJA DIRECIONADO PARA O OPERADOR OU OUTRAS PESSOAS.**

- Desconecte o suprimento de ar à ferramenta ou coloque a válvula **70** na posição "OFF".
- Abasteça a bomba de escorva com óleo.

Os números dos itens em **negrito** referem-se à lista de peças e ao desenho do conjunto geral nas páginas 91-92.

- Aparafuse a bomba de escorva 07900-00700 no orifício do parafuso de sangria com vedação metalizada **84** no lugar.
- Acione a bomba de escorva pressionando e liberando várias vezes até que seja sentida resistência.
- Remova a bomba de escorva.
- Substitua o parafuso de sangria **85** e a vedação metalizada **84**.
- Conecte o suprimento de ar à ferramenta e coloque a válvula **70** na posição "ON".
- Verifique se o curso da ferramenta atende à especificação mínima 30 milímetros. Para verificar o curso, meça a distância entre a traseira do cilindro da garra de cauda e os moldes do corpo ANTES de pressionar o gatilho e quando o gatilho for totalmente acionado. O curso é a diferença entre as duas medições. Se não cumprir a especificação mínima, repita o procedimento de escorva.

## 8. DIAGNÓSTICO DE AVARIAS

SINTOMA	CAUSA POSSÍVEL	SOLUÇÃO	REF. PÁGINA
A ferramenta não coloca o fixador	Baixa pressão de ar.	Aumente a pressão de ar	93
	Falta de lubrificação.	Lubrifique a ferramenta no ponto de entrada de ar	
	Alta carga do alargador.	Verifique a aderência do fixador e tamanho do furo da aplicação	
	Verifique se o mandril tem o tamanho correto.		
	Garras de cauda gastas ou quebradas.	Novas garras de cauda	
	Garras de cauda desligadas.	Ligue as garras de cauda	
	Ar no sistema hidráulico.	Confira "Procedimento de escorva"	
"Deslize de mandril" - as garras não agarram o mandril	Garras de cauda gasta ou com sujeira.	Limpe ou renove, se necessário	
	' Pressão de ar/volume insuficiente.	Aumente a pressão/volume de ar	
	' Interruptor de garras de cauda inoperável.	Substitua o interruptor	
	'Vazamento de ar nas garras de cauda.	Renova os anéis O 10 no conjunto do pistão 51	
	Mandril quebrado e não alcançando as garras de cauda.	Substitua o mandril	
Válvula de não retorno com defeito.	Substitua a válvula de não retorno		
As garras não liberam o mandril  Os fixadores não alimentam através das garras do nariz	Caixa da garra ou garras de cauda suja.	Limpe e lubrifique	
	Interruptor da garra de cauda com falha.	Substitua os anéis O	
	Garras de cauda não ligadas.	Ligue as garras de cauda	
	Garras de cauda gastas.	Renove as garras de cauda	
	Orientação incorreta do cursor.	Reajuste, garantindo uma orientação correta	
	Garras de nariz incorretas.	Montar garras de nariz incorretas	
	Mola seguidora do mandril não montada.	Monte a mola seguidora do mandril correta	
	Espaço incorreto entre a cabeça do fixador e as garras do nariz quando carregadas.	Defina o espaço para 1,5mm - 3mm (1/16" - 1/8") Confira "Como carregar a ferramenta"	
	Cursor fica preso.	Limpe e engraxe o cursor	
	Mola exterior fraca em volta do cursor.	Renove o cursor	
	Mola seguidora do mandril montada incorreta.	Monte a mola seguidora do mandril correta	
	Gasto excessivo de garra da cauda	Alta carga do alargador.	
Alimentando mais do que um fixador ao mesmo tempo	Deslize do mandril.	Verifique se tem "deslize de mandril", estágio 2	84
	Espaço incorreto entre a cabeça do fixador e as garras do nariz quando carregadas	Defina o espaço para 1,5mm - 3mm (1/16" - 1/8") Confira "Como carregar a ferramenta"	

Outros sintomas ou falhas devem ser relatados ao seu distribuidor autorizado da Stanley Engineered Fastening local ou centro de reparo.

## 9. DECLARAÇÃO DE CONFORMIDADE DA CE

Nós, **Stanley Engineered Fastening, Stanley House, Works Road, Letchworth Garden City, Hertfordshire, SG6 1JY UNITED KINGDOM**, declaramos sob nossa única responsabilidade que o produto:

**Descrição:** Ferramenta de repetição hidropneumática para rebites de velocidade

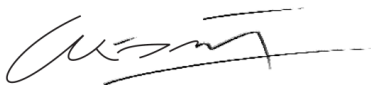
**Modelo:** 07537

ao qual esta declaração se refere, está em conformidade com as seguintes normas harmonizadas:

ISO 12100:2010	EN ISO 3744:2010
EN ISO 11202:2010	EN ISO 11148-1:2011
EN ISO 4413:2010	EN ISO 28662-1:1993
EN ISO 4414:2010	EN ISO 20643:2008+A1:2012
EN ISO 28927-5:2009+A1:2015	ES100118-rev 17:2017

Documentação técnica está compilada em conformidade com o Anexo VII, de acordo com a seguinte diretriz: **2006/42/CE A Diretiva de Máquinas** (Instrumentos do Estatuto 2008 No. 1597 - Regulações de Fornecimento de Máquinas (Segurança)).

O abaixo assinado faz essa declaração em representação da STANLEY Engineered Fastening



**A. K. Seewraj**

**Diretor de Engenharia, Reino Unido**

Avdel UK Limited, Stanley House, Works Road, Letchworth Garden City, Hertfordshire, SG6 1JY UNITED KINGDOM

**Local de publicação:** Letchworth Garden City, UK

**Data de publicação:** 01-01-2021

O abaixo assinado é responsável pelo preenchimento do arquivo técnico para produtos vendidos na União Europeia e faz essa declaração em nome da Stanley Engineered Fastening.

**Matthias Appel**

**Líder da Equipe de Documentação Técnica**

Stanley Engineered Fastening, Tucker GmbH, Max-Eyth-Str.1, 35394 Gießen, Alemanha



Essa maquinaria está em conformidade com a Diretiva de Máquinas 2006/42/CE



## 10. DECLARAÇÃO DE CONFORMIDADE DO REINO UNIDO

Nós, **Stanley Engineered Fastening, Stanley House, Works Road, Letchworth Garden City, Hertfordshire, SG6 1JY UNITED KINGDOM**, declaramos sob nossa única responsabilidade que o produto:

**Descrição:** Ferramenta de repetição hidropneumática para rebites de velocidade

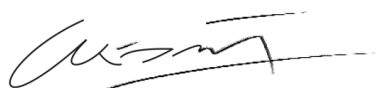
**Modelo:** 07537

ao qual esta declaração se refere, está em conformidade com as seguintes normas indicadas:

ISO 12100:2010	EN ISO 3744:2010
EN ISO 11202:2010	EN ISO 11148-1:2011
EN ISO 4413:2010	EN ISO 28662-1:1993
EN ISO 4414:2010	EN ISO 20643:2008+A1:2012
EN ISO 28927-5:2009+A1:2015	ES100118-rev 17:2017

A documentação técnica é preenchida de acordo com os Regulamentos de Fornecimento de Equipamentos (Segurança) 2008, S.I. 2008/1597 (e alterações).

O abaixo assinado faz essa declaração em representação da STANLEY Engineered Fastening



**A. K. Seewraj**

**Diretor de Engenharia, Reino Unido**

Avdel UK Limited, Stanley House, Works Road, Letchworth Garden City, Hertfordshire,  
SG6 1JY UNITED KINGDOM

**Local de publicação:** Letchworth Garden City, UK

**Data de publicação:** 01-01-2021



Essa maquinaria está em conformidade com  
Regulamentos do Suprimento de Máquinas (Segurança) 2008,  
S.I. 2008/1597 (e alterações)

## 11. PROTEJA O SEU INVESTIMENTO!

### **Stanley® Engineered Fastening GARANTIA DE FERRAMENTA DE REBITES CEGOS**

STANLEY® Engineered Fastening garante que todas as máquinas elétricas foram cuidadosamente fabricadas e não apresentarão defeitos de material nem de fabricação no seu uso normal e para serviços por um período de um (1) ano.

Esta garantia aplica-se ao primeiro comprador da máquina e apenas ao seu uso original.

#### **Exclusões:**

##### **Uso e desgaste normal.**

Manutenções periódicas, reparos e reposições de peças devido ao uso e ao desgaste normal estão excluídos da cobertura da garantia.

##### **Abuso & Uso Indevido.**

Defeitos ou danos resultados de operação incorreta, armazenamento e uso indevidos ou abuso, acidente ou negligência, como danos físicos, estão excluídos da cobertura da garantia.

##### **Modificação ou Manutenção Não Autorizada.**

Defeitos ou danos resultantes de operações, testes, ajustes, instalações, manutenções, alterações ou modificações de qualquer forma não realizadas pelo pessoal da STANLEY® Engineered Fastening, ou de seus centros de serviços autorizados, estão excluídos da cobertura da garantia.

Todas as outras garantias, explícitas ou implícitas, incluindo quaisquer garantias de comercialização ou adequação para qualquer propósito, estão excluídas.

Se a máquina não atende aos requisitos de garantia, devolva-a imediatamente ao nosso centro de serviços autorizados de fábrica mais próximo. Para uma lista de postos de assistências técnica autorizados da STANLEY® nos EUA ou Canadá, entre em contato conosco pelo número gratuito (877)364 2781.

Fora dos EUA e Canada, visite o nosso website **[www.StanleyEngineeredFastening.com](http://www.StanleyEngineeredFastening.com)** para encontrar o centro de serviços STANLEY Engineered Fastening mais próximo.

A STANLEY Engineered Fastening trocará então, gratuitamente, qualquer peça ou peças, as quais apresentam defeitos devido a uma falha de material ou de fabricação e, devolverá a máquina pré-paga. Isto representa nossa obrigação única sob esta garantia.

Em nenhuma circunstância a STANLEY Engineered Fastening deverá ser responsabilizada por quaisquer danos resultantes ou especiais oriundos da compra ou uso desta máquina.

#### **Registre sua Rebitadeira on-line.**

Para registrar a sua garantia on-line, acesse:

<https://www.stanleyengineeredfastening.com/support/warranty-registration-form>

Agradecemos por escolher uma ferramenta da marca STANLEY® Engineered Fastening de tecnologias Stanley.





**STANLEY Engineered Fastening**

STANLEY House, Works Road  
Letchworth Garden City  
Hertfordshire, United Kingdom  
SG6 1JY

Tel: +44 1582 900 000

Fax: +44 1582 900 001



## Holding your world together®

Find your closest STANLEY Engineered Fastening location on [www.stanleyEngineeredFastening.com/contact](http://www.stanleyEngineeredFastening.com/contact)  
For an authorized distributor nearby please check

[www.stanleyEngineeredFastening.com/econtact/distributors](http://www.stanleyEngineeredFastening.com/econtact/distributors)

Manual Number	Issue	C/N
07900-00845_NA	C	21/099

### STANLEY Assembly Technologies

Stanley Engineered Fastening — a division of Stanley Black and Decker — is the global leader in precision fastening and assembly solutions. Our industry-leading brands, Avdel®, Integra™, Nelson®, Optia™, POP®, Stanley® Assembly Technologies, and Tucker®, elevate what our customers create. Backed by a team of passionate and responsive problem-solvers, we empower engineers who are changing the world.

STANLEY ENGINEERED FASTENING FAMILY OF BRANDS

AVDEL

INTEGRA

NELSON

OPTIA

POP

STANLEY  
Assembly Technologies

TUCKER