



Ⓔ EN Hydro-Pneumatic Power Tool
Ⓔ JA 油空圧電動ツール
Ⓔ ZSH 液圧气动工具



74290 - Model ESAFOR MK II

Hydro-Pneumatic Power Tool

©2021 Stanley Black & Decker inc.

All rights reserved.

The information provided may not be reproduced and/or made public in any way and through any means (electronically or mechanically) without prior explicit and written permission from STANLEY Engineered Fastening. The information provided is based on the data known at the moment of the introduction of this product. STANLEY Engineered Fastening pursues a policy of continuous product improvement and therefore the products may be subject to change. The information provided is applicable to the product as delivered by STANLEY Engineered Fastening. Therefore, STANLEY Engineered Fastening cannot be held liable for any damage resulting from deviations from the original specifications of the product.

The information available has been composed with the utmost care. However, STANLEY Engineered Fastening will not accept any liability with respect to any faults in the information nor for the consequences thereof. STANLEY Engineered Fastening will not accept any liability for damage resulting from activities carried out by third parties. The working names, trade names, registered trademarks, etc. used by STANLEY Engineered Fastening should not be considered as being free, pursuant to the legislation with respect to the protection of trademarks.

This instruction manual in ENGLISH is also translated in bellow following languages. On demand the requested instruction manual shall be provided.

CONTENTS

1. SAFETY DEFINITIONS	4
1.1 GENERAL SAFETY RULES	4
1.2 PROJECTILE HAZARDS	4
1.3 OPERATING HAZARDS	5
1.4 REPETITIVE MOTIONS HAZARDS.....	5
1.5 ACCESSORY HAZARDS	5
1.6 WORKPLACE HAZARDS.....	5
1.7 NOISE HAZARDS.....	5
1.8 VIBRATION HAZARDS.....	5
1.9 ADDITIONAL SAFETY INSTRUCTION FOR PNEUMATIC POWER TOOLS	6
2. SPECIFICATIONS.....	7
2.1 INTENT OF USE.....	7
2.2 PLACING TOOL SPECIFICATION.....	7
2.3 TOOL DIMENSIONS.....	8
3. PUTTING IN SERVICE.....	9
3.1 PRELIMINARY OPERATIONS.....	9
3.2 AIR SUPPLY	9
3.3 TOOL CONFIGURATION.....	10
3.4 PRINCIPLE OF OPERATION	10
3.5 OPERATING SEQUENCE.....	10
4. NOSE ASSEMBLIES.....	11
4.1 FITTING INSTRUCTIONS	11
4.2 SERVICE INSTRUCTIONS	11
4.3 74290 NOSE ASSEMBLY COMPONENTS	11
5. SERVICING THE TOOL.....	13
5.1 DAILY SERVICING.....	13
5.2 WEEKLY SERVICING.....	13
5.3 SERVICE KIT.....	13
6. MAINTENANCE.....	14
6.1 TRIGGER UNIT	14
6.2 VERTICAL TRIGGER UNIT (From 43 to 48)	14
6.3 PNEUMATIC PISTON UNIT	14
6.4 HYDRAULIC PISTON UNIT.....	14
6.5 PISTON-ROD-PUNCH UNIT	14
6.6 MOLYKOTE 55M GREASE	15
6.7 PROTECTING THE ENVIRONMENT	15
7. GENERAL ASSEMBLIES	16
7.1 GENERAL ASSEMBLY OF BASE TOOL 74290.....	16
7.2 GENERAL ASSEMBLY PARTS LIST 74290.....	17
8. PRIMING	18
8.1 OIL DETAILS.....	18
8.2 HYPIN®VG 32 OIL SAFETY DATA.....	18
8.3 PRIMING PROCEDURCE.....	18
8.4 OIL TOP UP.....	18
9. FAULT DIAGNOSIS	19
10. EC DECLARATION OF CONFORMITY	20
11. UK DECLARATION OF CONFORMITY.....	21
12. PROTECT YOUR INVESTMENT!	22



This instruction manual must be read by any person installing or operating this tool with particular attention to the following safety rules.



Always wear impact-resistant eye protection during operation of the tool. The grade of protection required should be assessed for each use.







Use hearing protection in accordance with employer's instructions and as required by occupational health and safety regulations.



Use of the tool can expose the operator's hands to hazards, including crushing, impacts, cuts and abrasions and heat. Wear suitable gloves to protect hands.

1. SAFETY DEFINITIONS

The definitions below describe the level of severity for each signal word. Please read the manual and pay attention to these symbols.

-  **DANGER:** Indicates an imminently hazardous situation which, if not avoided, will result in death or serious injury.
-  **WARNING:** Indicates a potentially hazardous situation which, if not avoided, could result in death or serious injury.
-  **CAUTION:** Indicates a potentially hazardous situation which, if not avoided, may result in minor or moderate injury.
-  **CAUTION:** Used without the safety alert symbol indicates a potentially hazardous situation which, if not avoided, may result in property damage.

Improper operation or maintenance of this product could result in serious injury and property damage. Read and understand all warnings and operating instructions before using this equipment. When using power tools, basic safety precautions must always be followed to reduce the risk of personal injury.

SAVE ALL WARNINGS AND INSTRUCTIONS FOR FUTURE REFERENCE

1.1 GENERAL SAFETY RULES

- For multiple hazards, read and understand the safety instructions before installing, operating, repairing, maintaining, changing accessories on, or working near the tool. Failure to do so can result in serious bodily injury.
- Only qualified and trained operators must install, adjust or use the tool.
- DO NOT use outside the design intent specified by Stanley Engineered Fastening.
- Use only parts, fasteners, and accessories recommended by the manufacturer.
- DO NOT modify the tool. Modifications can reduce the effectiveness of safety measures and increase the risks to the operator. Any modification to the tool undertaken by the customer will be the customer's entire responsibility and void any applicable warranties.
- Do not discard the safety instructions; give them to the operator.
- Do not use the tool if it has been damaged.
- Prior to use, check for misalignment or binding of moving parts, breakage of parts, and any other condition that affects the tool's operation. If damaged, have the tool serviced before using. Remove any adjusting key or wrench before use.
- Tools shall be inspected periodically to verify that the ratings and markings required by this part of ISO 11148 are legibly marked on the tool. The employer/user shall contact the manufacturer to obtain replacement marking labels when necessary.
- The tool must be maintained in a safe working condition at all times and examined at regular intervals for damage and function by trained personnel. Any dismantling procedure will be undertaken only by trained personnel. Do not dismantle this tool without prior reference to the maintenance instructions.

1.2 PROJECTILE HAZARDS

- Disconnect the air supply from the tool before performing any maintenance, attempting to adjust, fit or remove a nose assembly or accessories.
- Be aware that failure of the work piece or accessories or even of the inserted tool itself can generate high- velocity projectiles.
- Always wear impact-resistant eye protection during operation of the tool. The grade of protection required should be assessed for each use.
- The risks to others should also be assessed at this time.
- Ensure that the work piece is securely fixed.
- Warn against the possible forcible ejection of debris from the front of the tool.
- DO NOT operate a tool that is directed towards any person(s).

1.3 OPERATING HAZARDS

- Use of the tool can expose the operator's hands to hazards, including crushing, impacts, cuts and abrasions and heat. Wear suitable gloves to protect hands.
- Operators and maintenance personnel shall be physically able to handle the bulk, weight and power of the tool.
- Hold the tool correctly; be ready to counteract normal or sudden movements and have both hands available.
- Keep tool handles dry, clean, and free from oil and grease.
- Maintain a balanced body position and secure footing when operating the tool.
- Release the start-and-stop device in the case of an interruption of the air supply.
- Use only lubricants recommended by the manufacturer.
- Contact with hydraulic fluid should be avoided. To minimize the possibility of rashes, care should be taken to wash thoroughly if contact occurs.
- Material Safety Data Sheets for all hydraulic oils and lubricants is available on request from your tool supplier.
- Avoid unsuitable postures, as it is likely for these positions not to allow counteracting of normal or unexpected movement of the tool.
- If the tool is fixed to a suspension device, make sure that the fixation is secure.
- Beware of the risk of crushing or pinching if nose equipment is not fitted.
- DO NOT operate tool with the nose casing removed.
- Adequate clearance is required for the tool operator's hands before proceeding.
- When carrying the tool from place to place keep hands away from the trigger to avoid inadvertent activation.
- DO NOT abuse the tool by dropping or using it as a hammer.

1.4 REPETITIVE MOTIONS HAZARDS

- When using the tool, the operator can experience discomfort in the hands, arms, shoulders, neck or other parts of the body.
- While using the tool, the operator should adopt a comfortable posture whilst maintaining a secure footing and avoiding awkward or off-balance postures. The operator should change posture during extended tasks; this can help avoid discomfort and fatigue.
- If the operator experiences symptoms such as persistent or recurring discomfort, pain, throbbing, aching, tingling, numbness, burning sensations or stiffness, these warning signs should not be ignored. The operator should tell the employer and consult a qualified health professional.

1.5 ACCESSORY HAZARDS

- Disconnect the tool from the air supply before fitting or removing the nose assembly or accessory.
- Use only sizes and types of accessories and consumables that are recommended by the manufacturer of the tool; do not use other types or sizes of accessories or consumables.

1.6 WORKPLACE HAZARDS

- Slips, trips and falls are major causes of workplace injury. Be aware of slippery surfaces caused by use of the tool and of trip hazards caused by the air line or hydraulic hose.
- Proceed with care in unfamiliar surroundings. There can be hidden hazards, such as electricity or other utility lines.
- The tool is not intended for use in potentially explosive atmospheres and is not insulated against contact with electric power.
- Ensure that there are no electrical cables, gas pipes, etc., which can cause a hazard if damaged by use of the tool.
- Dress properly. Do not wear loose clothing or jewellery. Keep your hair, clothing and gloves away from moving parts. Loose clothes, jewellery or long hair can be caught in moving parts.

1.7 NOISE HAZARDS

- Exposure to high noise levels can cause permanent, disabling hearing loss and other problems, such as tinnitus (ringing, buzzing, whistling or humming in the ears). Therefore, risk assessment and the implementation of appropriate controls for these hazards are essential.
- Appropriate controls to reduce the risk may include actions such as damping materials to prevent work pieces from "ringing".
- Use hearing protection in accordance with employer's instructions and as required by occupational health and safety regulations.
- Select, maintain and replace the consumable/inserted tool as recommended in the instruction handbook, to prevent an unnecessary increase in noise.

1.8 VIBRATION HAZARDS

- Exposure to vibration can cause disabling damage to the nerves and blood supply of the hands and arms.
- Wear warm clothing when working in cold conditions and keep your hands warm and dry.
- If you experience numbness, tingling, pain or whitening of the skin in your fingers or hands, stop using the tool, tell your employer and consult a physician.
- Where possible Support the weight of the tool in a stand, tensioner or balancer, because a lighter grip can then be used to support the tool.

- Operate and maintain the assembly power tool as recommended in the instruction's handbook, to prevent an unnecessary increase in vibration levels.
- Select, maintain and replace the consumable/inserted tool as recommended in the instruction handbook, to prevent an unnecessary increase in vibration levels.
- Hold the tool with a light but safe grip, taking account of the required hand reaction forces, because the risk from vibration is generally greater when the grip force is higher.

1.9 ADDITIONAL SAFETY INSTRUCTION FOR PNEUMATIC POWER TOOLS

- The operating supply air must not exceed 7 bar (102 PSI).
- Air under pressure can cause severe injury.
- Never leave operating tool unattended. Disconnect air hose when tool is not in use, before changing accessories or when making repairs.
- Never direct air at yourself or anyone else.
- Whipping hoses can cause severe injury. Always check for damaged or loose hoses and fittings.
- Prior to use, inspect airlines for damage, all connections must be secure. Do not drop heavy objects on hoses. A sharp impact may cause internal damage and lead to premature hose failure.
- Cold air shall be directed away from hands.
- Whenever universal twist couplings (claw couplings) are used, lock pins shall be installed and whip check safety cables shall be used to safeguard against possible hose-to-tool or hose-to-hose connection failure.
- DO NOT lift the placing tool by the hose. Always use the placing tool handle.
- Vent holes must not become blocked or covered.
- Keep dirt and foreign matter out of the hydraulic system of the tool as this will cause the tool to malfunction.

2. SPECIFICATIONS

2.1 INTENT OF USE

The 74290 Tool is designed to convert round holes in to hexagonal holes. The latter are produced by means of a drill. Then the tool, equipped with punch and reference die, is to be inserted into the hole, where it removes other material in order to obtain a hexagon hole, ready to receive threaded hexserts.

In this way it is possible to easily and rapidly install threaded inserts which, owing to the hexagon profile, guarantee the on-rotation of the joint, with evident advantages regarding the production process and the offered performances, compared to round threaded inserts or other competitor technologies (nuts, welded nuts, etc...).

The use of this tool for threaded inserts enlarges the range of application (up to now it was restricted to the employment of pre punched sheets) for box type design pieces, low volume series production and in situ applications.

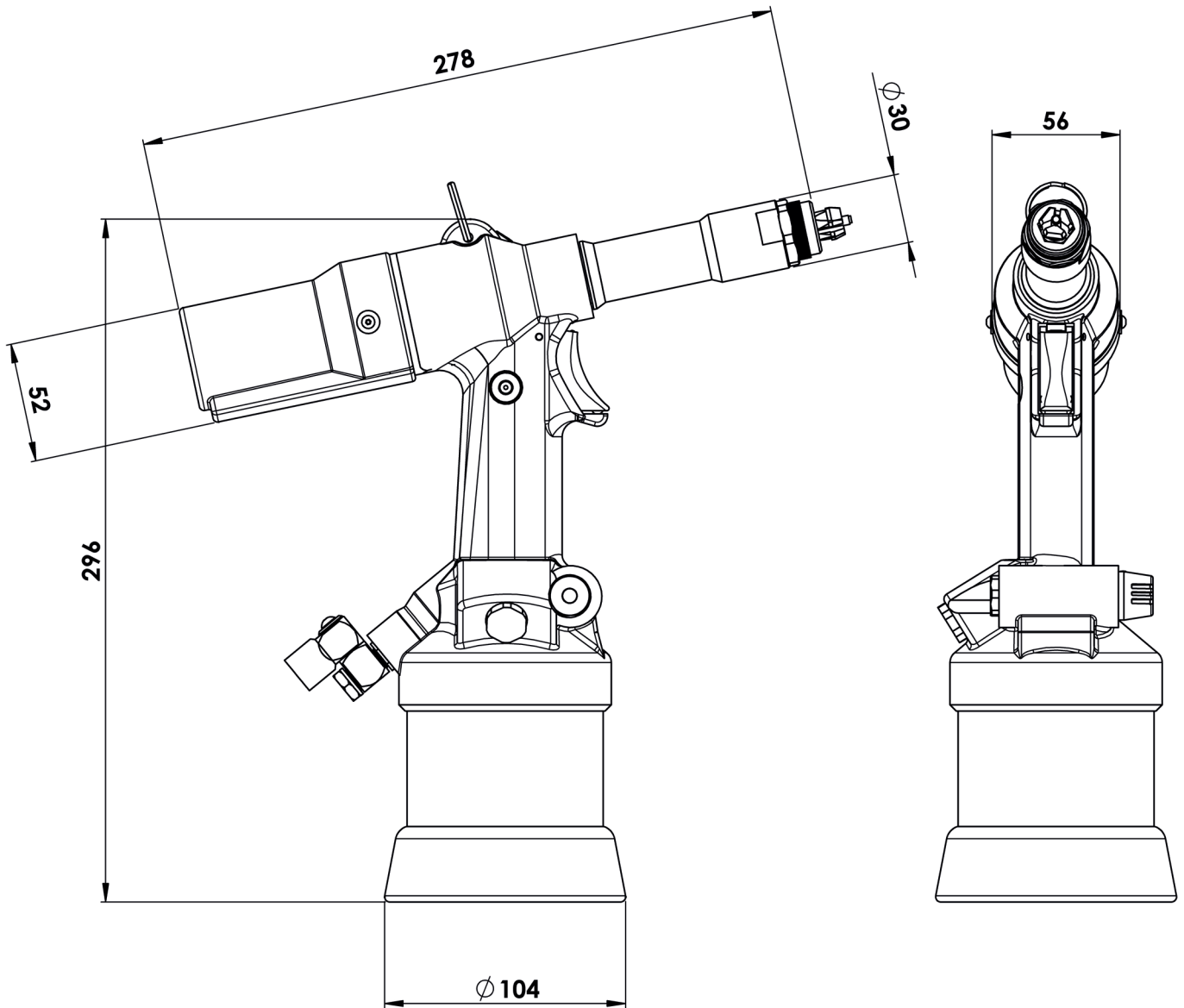
For further details regarding the preparation of the hole in relation to the type of material and the thickness, see page 12.

DO NOT use under wet conditions or in the presence of flammable liquids or gases.

2.2 PLACING TOOL SPECIFICATION

Air Pressure	Minimum - Maximum	5-7 bar (75-100 lbf/in ²)
Free Air Volume Required	@ 5 bar/75 lbf/in ²	8 litres (0.28 ft ³)
Stroke	Maximum	6.5 mm (0.256 in)
Pull Force	@ 5.5 bar/ 2400 kgf	23.5 kN (5,290 lbf)
Weight	Without nose equipment	2.2 kg (4.85 lb)

Noise values determined according to noise test code ISO 15744 and ISO 3744.		74290
A-weighted sound power level dB(A), L _{WA}	Uncertainty noise: k _{WA} = 3.0 dB(A)	89.4 dB(A)
A-weighted emission sound pressure level at the work station dB(A), L _{pA}	Uncertainty noise: k _{pA} = 3.0 dB(A)	87.4 dB(A)
C-weighted peak emission sound pressure level dB(C), L _{pC' peak}	Uncertainty noise: k _{pC} = 3.0 dB(C)	89.8 dB(C)
Vibration values determined according to vibration test code ISO 20643 and ISO 5349		74290
Vibration emission level, a _{hd} :	Uncertainty vibration: k = 0.94 m/s ²	2.36 m/s ²
Declared vibration emission values in accordance with EN 12096		

2.3 TOOL DIMENSIONS

Dimensions shown in bold are millimeters.

3. PUTTING IN SERVICE

IMPORTANT - READ THE SAFETY RULES ON PAGE 4 - 6 CAREFULLY BEFORE PUTTING INTO SERVICE.

- Select relevant size nose equipment and install.
- Connect the placing tool to the air supply. Test pull and return cycles by depressing and releasing the trigger **40**.
- Set the tool for desired stroke/pressure.

⚠ CAUTION: Correct supply pressure is important for proper function of the installation tool. Personal injury or damage to equipment may occur without correct pressures. The supply pressure must not exceed that listed in the placing tool specification.

3.1 PRELIMINARY OPERATIONS

Every day, before using the tool, carry out the operations described in section "LUBRICATION".

Before connecting the tool to the air supply, blow compressed air through the feed pipe, in order to eliminate any trace of condensation water or foreign matter.

LUBRICATION: Prior to connecting the air hoses, pour a small quantity of light hydraulic oil into the air admission fitting

3.2 AIR SUPPLY

All tools are operated with compressed air at an optimum pressure of 5 and 7 Bar. We recommend the use of pressure regulators and automatic oiling/filtering systems on the main air supply. These should be fitted within 3 metres of the tool (see diagram below) to ensure maximum tool life and minimum tool maintenance.

Air supply hoses should have a minimum working effective pressure rating of 150% of the maximum pressure produced in the system or 10 bar, whichever is the highest. Air hoses should be oil resistant, have an abrasion resistant exterior and should be armoured where operating conditions may result in hoses being damaged. All air hoses **MUST** have a minimum bore diameter of 6.4 millimetres or 1/4 inch.

We recommend to operate the tool at the minimum pressure necessary to obtain the requested hole, to consume less air and the maximum tool life is ensured.

Read servicing daily details page 13.

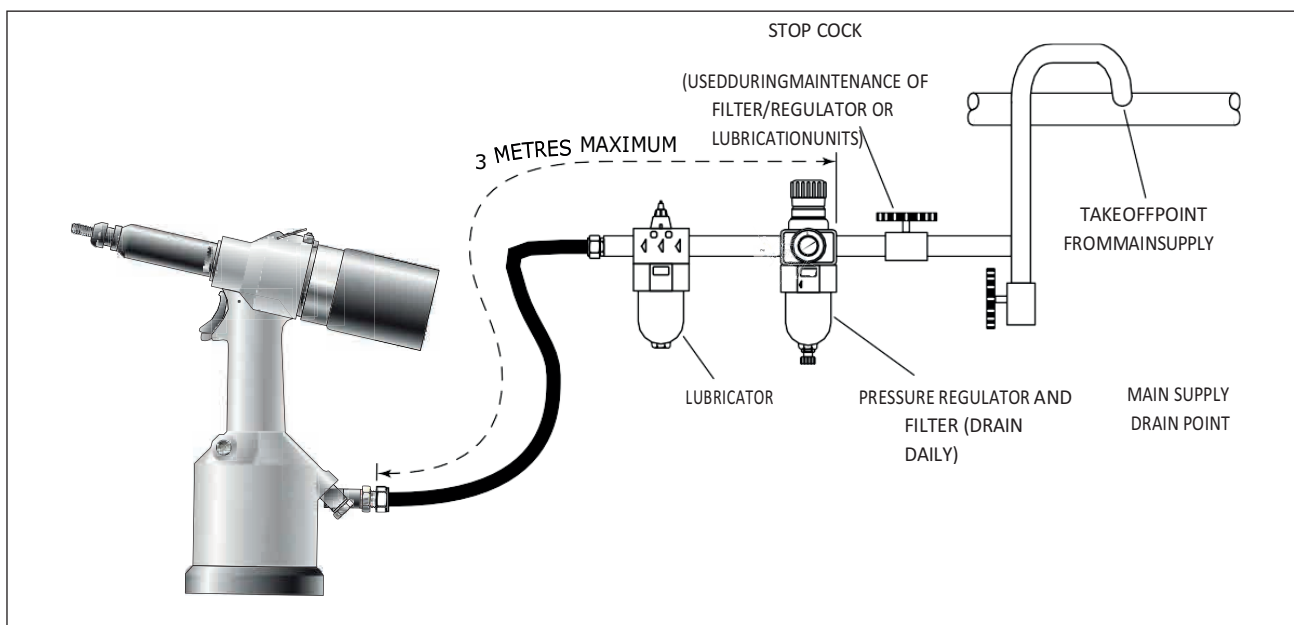


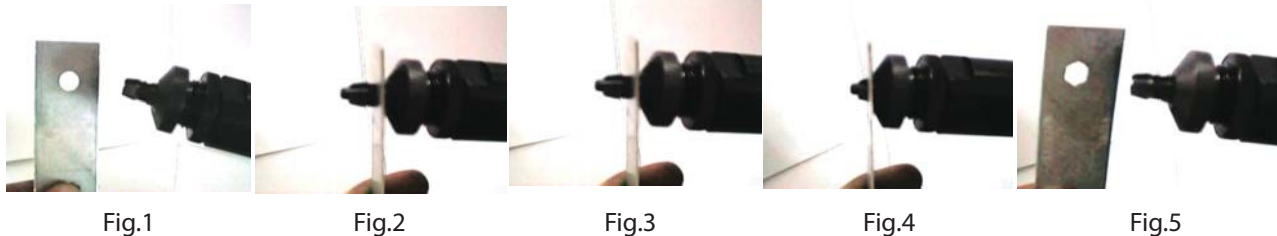
Fig. 2

3.3 TOOL CONFIGURATION

The tool is able to punch hexagon holes, designated to receive metric threaded hexagon inserts type M4, M5, M6, M8, M10. According to the hole to be realized, the appropriate equipment can be ordered under the relative part number (see Table on Page 12).

3.4 PRINCIPLE OF OPERATION

Connect the tool provided with the appropriate equipment to the air supply (see table of recommended air pressures in relation to the material to be punched).



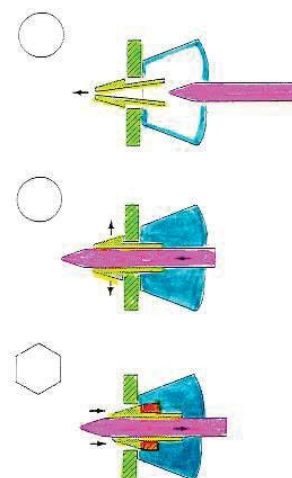
- Fig.1 Workpiece with round hole.
- Fig.2 Insert the punch fixed onto the 74290 Tool into the previously drilled round hole.
- Fig.3 Depress the trigger. In this way the rod 24 advances and the punch blades extend on the hole walls, now the punch is ready to stamp.
- Fig.4 In the following the punch removes excess sheet material to create a hexagon hole suitable to place the hexagon insert.
- At the end of this phase the punch retracts from the hole and removes the punching scrap. In general the scrap is ejected via the punching effect and the return of the punch into the rear position. Scrap will be expelled without jamming the punch.
- Fig.5 The workpiece, with the hexagon hole stamped by the 74290 tool, is now ready to fit a threaded hexsert.
- Make sure that no scraps are left on the punch.
 - The tool now is ready for a new operating phase.

Transforms round holes into hexagonal holes for use of Hexsert® threaded inserts M4 - M10. Thickness range of workpiece (respective punch equipment has to be ordered separately):

Aluminium	M4, M10:	0.5 - 2.5 mm
	M5 - M8:	0.5 - 4.5 mm
Steel	M4:	0.5 - 1.5 mm
	M5 - M10:	0.5 - 3.0 mm
Stainless Steel	M4 - M10:	0.5 - 1.5 mm

3.5 OPERATING SEQUENCE

- Place the punch mounted onto the 74290 Tool tool inside the round hole.
- Fully depress the trigger of the 74290 tool. The piston extends the punch and automatically perforates the sheet material. In doing this, a punched hexagon hole is produced. A threaded hexsert can now be inserted by means of the Stanley Engineered Fastening tool models 74200 and 74202.



4. NOSE ASSEMBLIES

It is essential that the correct nose assembly is fitted prior to operating the tool. By knowing the details of the fastener to be placed, you will be able to order a new complete nose assembly using the selection tables on page 12.

4.1 FITTING INSTRUCTIONS

⚠ CAUTION: The air supply must be disconnected when fitting or removing nose assemblies unless specifically instructed otherwise.

The fitting procedure is very simple and described in the following:

Item numbers in **bold** refer to illustration below on Page 16:

- Disconnect the tool from the air supply.
- Unscrew the outer casing **4** and the coupling sleeve **5**, if mounted on the tool.
- Place the punch **1** onto the rod **24**, which protrudes from the connection **6** and tighten the parts **6** and **5** using the **17** mm spanner.
- Reattach the outer casing **4**.
- Screw the die **2**, first onto the counter lock nut **3** and then onto the casing **4**.
- The locking of the die with the counter lock nut, with respect to punch **1**, depends on the thickness of the material on which to realize the hexagon punching. Then fit the counter lock nut with a screw nut wrench.

4.2 SERVICE INSTRUCTIONS

Nose assemblies should be serviced at weekly intervals.

- Remove the complete nose assembly using the reverse procedure to the 'Fitting Instructions'.
- Any worn or damaged part should be replaced by a new part.
- Particularly check wear on Punch.
- Assemble according to fitting instructions.

4.3 74290 NOSE ASSEMBLY COMPONENTS

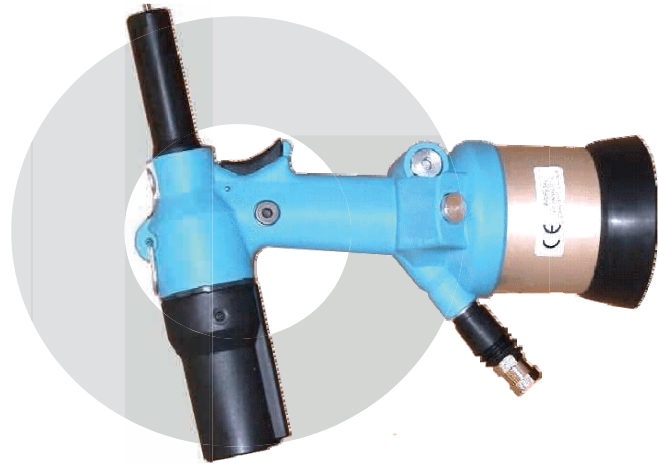
Nose tips vary in shape according to the insert type. Each nose assembly represents a unique assembly of components which can be ordered individually. Component numbers refer to the illustration on page 16. We recommend some stock as items will need regular replacement. .

THIS COMPLETE EQUIPMENT - complete equipment		Punch	Adapter	Matrix	Thickness/grip ø Forum/hole	indicative across flats	kit adapter
ALUMINIO - aluminum	M4	74290-09571	74290-09102	74290-09211	0,5 à 2,5	6,2 à 6,3	no
	M5	74290-99641	74290-09102	74290-09221	0,5 à 4,5	7,2 à 7,3	no
	M6	74290-00006	74290-09102	74290-09231	0,5 à 4,5	9,3 à 9,4	no
	M8	74290-00008	74290-09102	74290-09241	0,5 à 4,5	11,3 à 11,5	no
	M10	74290-00010(2)	74290-07000	74290-09251	0,5 à 2,5	13,4 à 13,6	7429000010kit.
<i>The equipment described below is compatible with aluminum, but we do not recommend use on this material. They need a thorough cleaning for every work cycle (forming hexagon)</i>							
ACCIAIO - steel	M4	74290-00014(1)	74290-09102	74290-06211	0,5 à 2,5	6,2 à 6,3	74290x07555
	M5	74290-00015	74290-09102	74290-06221	0,5 à 4,5	7,2 à 7,3	no
	M6	74290-00016	74290-09102	74290-06231	0,5 à 4,5	9,3 à 9,4	no
	M8	74290-00018	74290-09102	74290-06241	0,5 à 4,5	11,3 à 11,5	no
	M10	74290-00020(2)	74290-07000	74290-06251	0,5 à 2,5	13,4 à 13,6	7429000010kit.
INOX - stainless	M4	74290-00014(1)	74290-09102	74290-06211	0,5 à 1,5	6,2 à 6,3	74290x07555
	M5	74290-00015	74290-09102	74290-06221	0,5 à 3,0	7,2 à 7,3	no
	M6	74290-00016	74290-09102	74290-06231	0,5 à 3,0	9,3 à 9,4	no
	M8	74290-00018	74290-09102	74290-06241	0,5 à 3,0	11,3 à 11,5	no
	M10	74290-00020(2)	74290-07000	74290-06251	0,5 à 3,0	13,4 à 13,6	7429000010kit.

(1) Adapter kit is required 74290X07555

(2) Adapter kit is required

rev. 01/2011



5. SERVICING THE TOOL

Regular servicing should be carried out and a comprehensive inspection performed annually or every 500,000 cycles, whichever is sooner.

- ⚠ CAUTION: Never use solvents or other harsh chemicals for cleaning the non-metallic parts of the tool. These chemicals may weaken the materials used in these parts.**
- ⚠ CAUTION: Before maintenance, remove any dangerous substances that may have accumulated due to work processes.**
- ⚠ CAUTION: The employer is responsible for ensuring that tool maintenance instructions are given to the appropriate personnel.**
- ⚠ CAUTION: The operator should not be involved in maintenance or repair of the tool unless properly trained.**
- ⚠ CAUTION: The tool shall be examined regularly for damage and malfunction.**
- ⚠ CAUTION: Read Safety Instructions on page 4 to 6.**

5.1 DAILY SERVICING

- Daily, before use or when first putting the tool into service, pour a few drops of clean, light lubricating oil into the air inlet of the tool if no lubricator is fitted on air supply. If the tool is in continuous use, the air hose should be disconnected from the main air supply and the tool lubricated every two to three hours.
- Check for air leaks. If damaged, hoses and couplings should be replaced by new items.
- If there is no filter on the pressure regulator, bleed the air line to clear it of accumulated dirt or water before connecting air hose to tool.
- Check that the nose assembly is correct.
- Check the stroke of the tool is correct.
- Inspect the punch in the nose assembly for wear or damage. If any, renew.

5.2 WEEKLY SERVICING

- * Check for oil leaks and air leaks on air supply hose and fittings.

5.3 SERVICE KIT

For all servicing we recommend the use of the service kit (part number 74290-03000) tools below:

SERVICE TOOLS			
Description	Part	Description	Part
Spanner 32 mm	For part No. 18	Allan key 5 mm	For part No. 35
Spanner 20 mm (part of outfit)	For part No. 7	Allan key 2 mm	For part No. 33
Vice with soft jaws	For part No. 37	Spanner 12 mm	For part No. 75
Flat-nose pliers	For part No. 12	Hook device	For part No. 83, 28
Spanner 10 mm	For part No. 73	Spanner 17 mm	For part No. 31
Tubular socket wrench 25 mm	For part No. 62	Spanner 22 mm	For part No. 4
Allen key 12 mm	For part No. 64	Pin Punch	For part No. 38

6. MAINTENANCE

Every 500,000 cycles the tool should be completely dismantled and components replaced where worn, damaged or when recommended. All 'O' rings and seals should be replaced with new ones and lubricated with Molykote 55M grease before assembling.

⚠ WARNING: Read Safety Instructions on page 4 to 6.

⚠ WARNING: The employer is responsible for ensuring that tool maintenance instructions are given to the appropriate personnel.

⚠ WARNING: The operator should not be involved in maintenance or repair of the tool unless properly trained.

⚠ WARNING: The tool shall be examined regularly for damage and malfunction.

The airline must be disconnected before any servicing or dismantling is attempted unless specifically instructed otherwise.

It is recommended that any dismantling operation be carried out in clean conditions.

Prior to dismantling the tool it is necessary to remove the nose assembly. For simple removal instructions see the nose assemblies section, pages 11.

For total tool servicing, we advise that you proceed with dismantling of sub-assemblies in the order shown below.

6.1 TRIGGER UNIT

- Remove the pin **38** and extract the trigger unit **39-40-41-42**.

6.2 VERTICAL TRIGGER UNIT (FROM 43 TO 48)

- To remove this unit it is necessary to disassemble the PNEUMATIC PISTON ASSY.

6.3 PNEUMATIC PISTON UNIT

- Unscrew the oil drain screw **35** and bleed the oil.
- Place the tool in an upside-down position in a vice. Take care to use soft jaws so not to damage the body **37**.
- Unscrew the **2** nuts **73** (key 10 mm), extract the end plug lock **75** and pay attention to piston **68** which could violently eject due to spring **65**.
- Unscrew the rod guide **62** by means of a **25** mm barrel wrench. In this condition the vertical trigger unit (from **43** to **48**) can be extracted by pressing the rod **43**.
- If necessary, separate stem **66** from piston **68**, but remember that these two parts for the reassembling must be joint applying **LOCTITE 222** sealing onto the thread of bolt **76**.

6.4 HYDRAULIC PISTON UNIT

- Unscrew the outer casing **4**, the coupling sleeve **5** and the piston connection **6**. Unscrew the **2** screws **33** and extract protection **21**. Unscrew lock screw **26** and move the pipe **27** inside the cylinder **19**.
- Detach piston **7** from the piston-rod-punch unit. For this purpose insert the **20** mm wrench behind piston **7** and the **32** mm wrench in head **18**, then unscrew. Unscrew the screws **17** and extract limit stop **16** and spring **15**, then pull out the hydraulic piston.
- To replace the lip seal **83** remove the Seeger circlip ring **12**.

6.5 PISTON-ROD-PUNCH UNIT

- Place the pneumatic cylinder at the respective circumference sparing into the vise.
- Draw off the spring **25**.
- Unscrew the head **18** with a **32** mm wrench.
- In this way the parts **24**, **23**, **22** can be extracted.

⚠ CAUTION: Priming is ALWAYS necessary after the tool has been dismantled and prior to operating.

Item numbers in **bold** refer to the General Assembly drawing and parts list (pages 16-17).

6.6 MOLYKOTE 55M GREASE

Grease can be ordered as a single item, the part number is shown in the service kit page 13.

FIRST AID

SKIN: Wipe off and wash with soap and water.

INGESTION: No adverse effects are normally expected. Treat symptomatically.

EYES: Irritant but not harmful. Irrigate with water and seek medical attention.

ENVIRONMENT

Scrape up for incinerating or disposal on approved site.

FIRE

FLASH POINT: 101°C

Not classified as flammable.

Suitable extinguishing media: Carbon dioxide, foam, dry powder or fine water spray.

HANDLING

Plastic or rubber gloves should be worn.

STORAGE

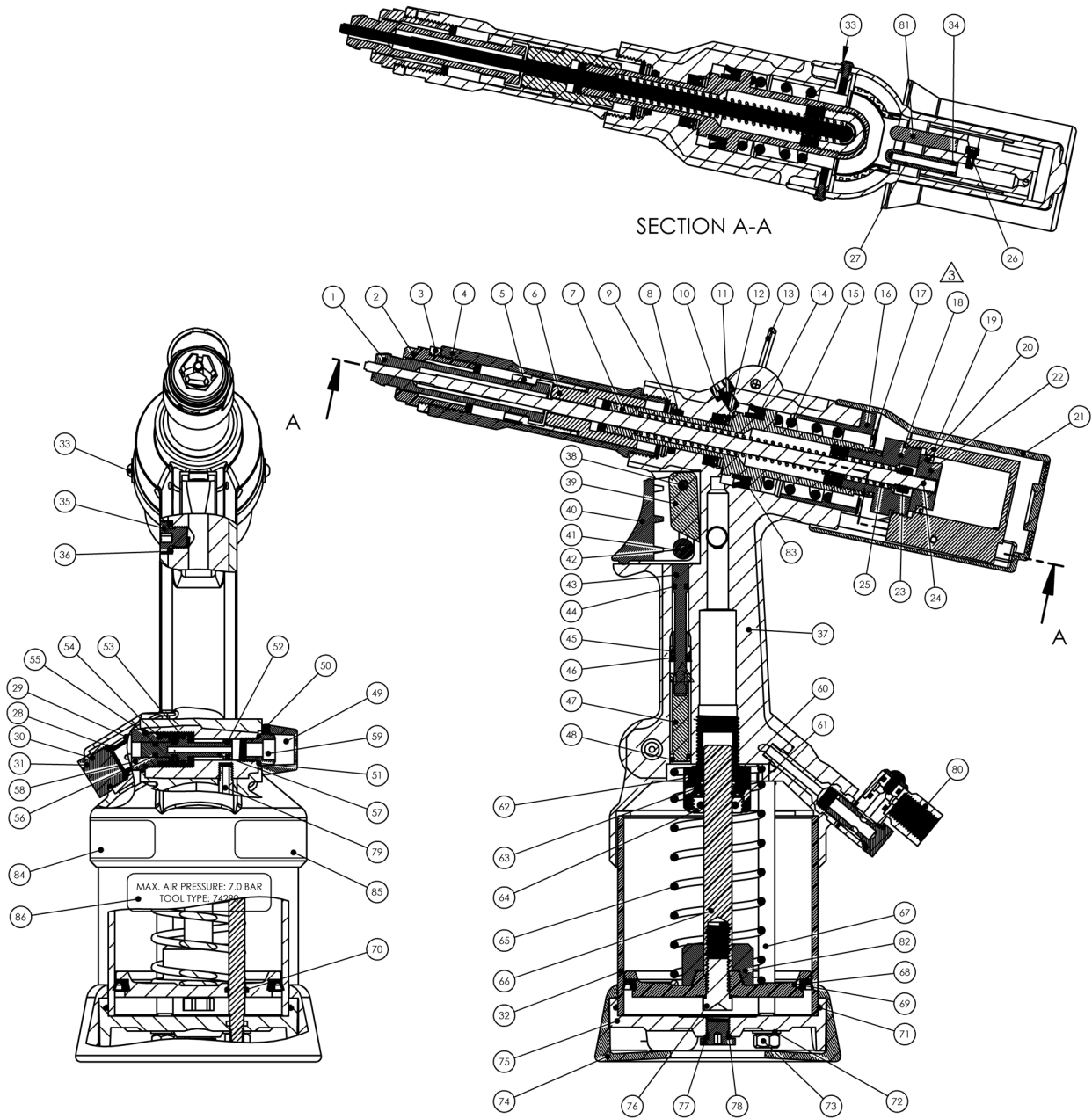
Away from heat and oxidizing agent

6.7 PROTECTING THE ENVIRONMENT

Assure conformity with applicable disposal regulations. Dispose all waste products at an approved waste facility or site so as not to expose personnel and the environment to hazards.

7. GENERAL ASSEMBLIES

7.1 GENERAL ASSEMBLY OF BASE TOOL 74290



7.2 GENERAL ASSEMBLY PARTS LIST 74290

Parts List for MKII Tool - 74290-03000											
ITEM	PART N°	DESCRIPTION	QTY	ITEM	PART N°	DESCRIPTION	QTY	ITEM	PART N°	DESCRIPTION	QTY
1	see manual	punch	1	31	74290-03012	end plug	1	61	07003-00134	O-ring	1
2	see manual	die	1	32	74290-03013	cylinder jacket	1	62	74200-12015	rod guide	1
3	see manual	counter lock nut	1	33	74290-03014	fastening screw M3	2	63	74200-12014	washer	1
4	07555-00315	outer casing	1	34	74200-12060	O-ring	2	64	74200-12013	nut	1
5	74290-09102	coupling sleeve	1	35	07005-01274	oil drain screw	1	65	07555-00205	spring	1
6	07555-00314	piston connection	1	36	74290-03015	screw washer	1	66	74290-03018	stem	1
7	74290-03001	piston	1	37	74290-03016	body	1	67	74290-03019	tie rods	2
8	07003-00028	O-ring	1	38	74200-12026	pin	1	68	74290-03020	pneumatic piston	1
9	74200-12099	washer	1	39	74200-12024	push wedge	1	69	74290-03021	lip seal	1
10	74200-12049	bleed washer	1	40	74200-12025	trigger	1	70	74290-03022	O-ring	2
11	07001-00329	bleed screw	1	41	74200-12023	roll	1	71	74290-03023	O-ring	1
12	07004-00033	Seeger circlip ring	2	42	74200-12022	pin	1	72	74290-03024	washer	2
13	74290-03002	suspension ring	1	43	74200-12020	trigger rod	1	73	74290-03025	nuts	2
14	74200-12053	lip seal	1	44	07003-00315	O-ring	1	74	74290-03026	rubber base	1
15	07555-00317	spring	1	45	74200-12019	guide	1	75	74290-03027	end plug lock	1
16	74290-03003	limit stop	1	46	74200-12018	lip seal	1	76	74290-03028	bolt	1
17	74290-03004	screw M4	4	47	74290-03017	valve plug	1	77	74200-12103	plug	1
18	07555-00320	rod cylinder head	1	48	07003-00027	O-ring	1	78	07003-00029	O-ring	4
19	74290-03005	rod cylinder	1	49	74200-12302	deflector	1	79	74290-03029	air inlet pipe	1
20	07555-00324	seal rod cylinder	1	50	74200-12301	set screw	1	80	74200-12700	Air Connector	1
21	74290-03006	protection	1	51	74200-12033	washer 1/8	1	81	74290-03033	Anti Rotation Plug	1
22	07555-00323	pusher piston	1	52	07003-00046	O-ring	1	82	74290-03032	Stroke Stop	1
23	07265-03206	nut	1	53	07003-00026	O-ring	1	83	07265-02004	Lip Seal	1
24	74290-03007	pusher	1	54	74200-12104	spring	1	84	07007-01526	CE & UKCA Label	1
25	07555-00321	spring	1	55	07003-00086	O-ring	1	85	73200-02022	Safety Label	1
26	74290-03008	pipe lock screw M3	1	56	07003-00040	O-ring	1	86	07007-02221	74290 Label	1
27	74290-03009	Delrin pipe	1	57	74200-12028	valve piston	1				
28	74290-03010	retarder	1	58	74200-12027	nut	1				
29	74290-03011	O-ring	2	59	74200-12034	silencer	1				
30	74200-12029	O-ring	1	60	07003-00100	O-ring	1				

8. PRIMING

Priming is ALWAYS necessary after the tool has been dismantled and prior to operating. It may also be necessary to restore the full stroke after considerable use, when the stroke may be reduced and fasteners are not fully placed by one operation of the trigger.

8.1 OIL DETAILS

The recommended oil for priming is Hyspin® VG32 available in 0.5l (part number 07992-00002) or one gallon containers (part number 07992-00006). Please see safety data below.

8.2 HYSPIN®VG 32 OIL SAFETY DATA

FIRST AID

SKIN:

Wash thoroughly with soap and water as soon as possible. Casual contact requires no immediate attention. Short term contact requires no immediate attention.

INGESTION:

Seek medical attention immediately. DO NOT induce vomiting.

EYES:

Irrigate immediately with water for several minutes. Although NOT a primary irritant, minor irritation may occur following contact.

FIRE

Flash point 232°C. Not classified as flammable.

Suitable extinguishing media: CO₂, dry powder, foam or water fog. DO NOT use water jets.

ENVIRONMENT

WASTE DISPOSAL: Through authorized contractor to a licensed site. May be incinerated. Used product may be sent for reclamation. SPILLAGE: Prevent entry into drains, sewers and water courses. Soak up with absorbent material.





HANDLING

Wear eye protection, impervious gloves (e.g. of PVC) and a plastic apron. Use in well ventilated area.

STORAGE

No special precautions.

8.3 PRIMING PROCEDURE

-  **CAUTION: Ensure that the oil is perfectly clean and free from air bubbles.**
-  **CAUTION: The tool must remain on its side throughout the priming sequence.**
-  **CAUTION: All operations should be carried out on a clean bench, with clean hands, in a clean area.**
-  **CAUTION: Care MUST be taken, at all times, to ensure that no foreign matter enters the tool, or serious damage may result.**

8.4 OIL TOP UP

- Place the tool in horizontal position.
- Unscrew the oil drain screw **35** using a 5 mm Allan key.
- Pour the recommended oil into the hole leading to the chamber in which the piston rod runs.
- Make sure that the screw washer **36** is in the correct position.
- Screw again with moderation the oil drain screw **35** using the Allan key.
- Now bleed the tool. This operation is necessary to ensure that all air bubbles are eliminated.
- Make sure the drain screw **11** is tightly closed, unscrew the same ONLY BY ONE TURN using an Allan key, then connect the tool to the air supply and depress the trigger.
- Wait until oil appears around the drain screw **11**, then retighten. Clean the excess oil.
- Release the trigger.
- Open the oil drain screw **35** using an Allan key.
- Top up with priming oil to reset level. Replace the screw washer **36** and the oil drain screw **35** in position and close tightly.
- Prior to operating the tool it is necessary to fit the appropriate tip equipment and to adjust the tool stroke.

9. FAULT DIAGNOSIS

SYMPTOM	POSSIBLE CAUSE	REMEDY
Air Leakage from Pipe Connection 27	O-Ring Defective	REPLACE
Punching Rod does not properly extend the punch inside the hole	Tail jaws switched off.	Switch on tail jaws
Punching Rod does not advance / return	Debris material between Rod and Punch	If necessary disassemble the equipment (Head) including the punch, then clean
Hexagon seats too small	Punch worn Rod diameter diminished	REPLACE visually check that the diameter is not smaller than 3,95mm
Tool is not able to produce the seat	Punch worn stroke too small	REPLACE Visually check the Oil level by opening the oil drain screw 35 . If necessary Top Up with prescribed Oil.
Pneumatic return spring 65 broken or excessively stressed	REPLACE	If possible operate with lower Air Pressure
Oil Leakage	FRONT: Lip Seal 83 worn or scored or hydraulic piston rod scored. BACK: Washer 14 worn or scored or the finish of internal cylinder is scored. LOWER PART: Washer 63 is worn or pneumatic piston rod scored.	REPLACE the worn or damaged parts to restore the tightness. Top-Up Oil.
Air Leakage	AT THE TRIGGER: Check O-Rings 44 AT AIR ESCAPE: Check wear condition of LIP seal 69 . AT AIR PIPE CONNECTION 27: Check the correct installation of pipe and wear condition of O-Rings 34 .	REPLACE If Worn

10. EC DECLARATION OF CONFORMITY

We, **Stanley Engineered Fastening, Stanley House, Works Road, Letchworth Garden City, Hertfordshire, SG6 1JY UNITED KINGDOM**, declare under our sole responsibility that the product:

Description: 74290 Hydro-Pneumatic Tool

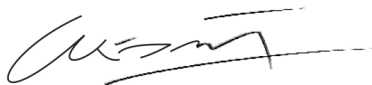
Model: 74290

to which this declaration relates is in conformity with the following harmonized standards:

ISO 12100:2010	EN ISO 3744:2010
EN ISO 11202:2010	EN ISO 11148-1:2011
EN ISO 4413:2010	BS EN 28662-1:1993
EN ISO 4414:2010	EN ISO 20643:2008+A1:2012
EN ISO 28927-5:2009+A1:2015	ES100118-rev 17:2017

Technical documentation is compiled in accordance with Annex VII, in accordance with the following Directive: **2006/42/EC The Machinery Directive** (Statutory Instruments 2008 No 1597 - The Supply of Machinery (Safety) Regulations refers).

The undersigned makes this declaration on behalf of STANLEY Engineered Fastening



A. K. Seewraj

Director of Engineering, UK

Avdel UK Limited, Stanley House, Works Road, Letchworth Garden City, Hertfordshire, SG6 1JY UNITED KINGDOM

Place of issue: Letchworth Garden City, UK

Date of issue: 01-01-2021

The undersigned is responsible for compilation of the technical file for products sold in the European Union and makes this declaration on behalf of Stanley Engineered Fastening.

Matthias Appel

Team Leader Technical Documentation

Stanley Engineered Fastening, Tucker GmbH, Max-Eyth-Str.1, 35394 Gießen, Germany



STANLEY
Engineered Fastening

11.UK DECLARATION OF CONFORMITY

We, **Stanley Engineered Fastening, Stanley House, Works Road, Letchworth Garden City, Hertfordshire, SG6 1JY UNITED KINGDOM**, declare under our sole responsibility that the product:

Description: 74290 Hydro-Pneumatic Tool

Model: 74290

to which this declaration relates is in conformity with the following designated standards:

ISO 12100:2010	EN ISO 3744:2010
EN ISO 11202:2010	EN ISO 11148-1:2011
EN ISO 4413:2010	BS EN 28662-1:1993
EN ISO 4414:2010	EN ISO 20643:2008+A1:2012
EN ISO 28927-5:2009+A1:2015	ES100118-rev 17:2017

Technical documentation is compiled in accordance with the Supply of Machinery (Safety) Regulations 2008, S.I. 2008/1597 (as amended).

The undersigned makes this declaration on behalf of STANLEY Engineered Fastening



A. K. Seewraj

Director of Engineering, UK

Avdel UK Limited, Stanley House, Works Road, Letchworth Garden City, Hertfordshire,
SG6 1JY UNITED KINGDOM

Place of issue: Letchworth Garden City, UK

Date of issue: 01-01-2021



This machinery is in conformity with
Supply of Machinery (Safety) Regulations 2008,
S.I. 2008/1597 (as amended)

12. PROTECT YOUR INVESTMENT!

Stanley® Engineered Fastening BLIND RIVET TOOL WARRANTY

STANLEY® Engineered Fastening warrants that all power tools have been carefully manufactured and that they will be free from defect in material and workmanship under normal use and service for a period of one (1) year.

This warranty applies to the first time purchaser of the tool for original use only.

Exclusions:

Normal wear and tear.

Periodic maintenance, repair and replacement parts due to normal wear and tear are excluded from coverage.

Abuse & Misuse.

Defect or damage that results from improper operation, storage, misuse or abuse, accident or neglect, such as physical damage are excluded from coverage.

Unauthorized Service or Modification.

Defects or damages resulting from service, testing adjustment, installation, maintenance, alteration or modification in any way by anyone other than STANLEY® Engineered Fastening, or its authorized service centres, are excluded from coverage.

All other warranties, whether expressed or implied, including any warranties of merchantability or fitness for purpose are hereby excluded.

Should this tool fail to meet the warranty, promptly return the tool to our factory authorized service centre location nearest you. For a list of STANLEY® Engineered Fastening Authorized Service Centres in the US or Canada, contact us at our toll free number (877)364 2781.

Outside the US and Canada, visit our website www.StanleyEngineeredFastening.com to find your nearest STANLEY Engineered Fastening location.

STANLEY Engineered Fastening will then replace, free of charge, any part or parts found by us to be defective due to faulty material or workmanship, and return the tool prepaid. This represents our sole obligation under this warranty.

In no event shall STANLEY Engineered Fastening be liable for any consequential or special damages arising out of the purchase or use of this tool.

Register Your Blind Rivet Tool online.

To register your warranty online, visit us at

<https://www.stanleyengineeredfastening.com/support/warranty-registration-form>

Thank you for choosing a STANLEY® Engineered Fastening's Stanley Assembly Technologies Brand tool.

©2021 Stanley Black & Decker inc.

無断転載禁止。

本説明書で示された情報は、STANLEY Engineered Fasteningからの事前の明示および書面による許可なしに、いかなる手段(電子的または機械的)によっても複製かつまたはいかなる方法による公開も許可しません。示された情報は、本製品の紹介時点で知られたデータに基づいています。STANLEY Engineered Fasteningは絶え間ない製品開発のポリシーを遂行するため、製品の仕様は変更の対象となる場合があります。示された情報は、STANLEY Engineered Fastening によって納品された時点で製品に適用されます。そのため、STANLEY Engineered Fastening は、製品本来の仕様からの逸脱による損傷について一切の責任を負いません。

利用可能な情報は最大限の注意を払って整理しました。しかし、STANLEY Engineered Fasteningは情報のいかなる誤りおよびそれが原因で生じる結果に関しても責任を受け入れません。STANLEY Engineered Fastening は、第三者によって行われた行為によって引き起こされた損傷についての責任を受け入れません。STANLEY Engineered Fasteningが使用するワーキングネーム、商号、登録商標などは、商標保護の観点から法律に準拠するものであり、自由に使用することはできません。

この操作説明書は、以下の言語の翻訳版も用意されています。ご要望に応じて、ご希望の言語の操作説明書を提供いたします。

目次

1. 安全の定義	26
1.1 一般安全ルール	26
1.2 発射の危険	26
1.3 操作上の危険	27
1.4 繰返し動作の危険	27
1.5 アクセサリの危険	27
1.6 作業場の危険	27
1.7 ノイズの危険	27
1.8 振動の危険	27
1.9 空圧式電動ツールのためのその他の安全指示	28
2. 仕様	29
2.1 用途	29
2.2 位置決めツールの仕様	29
2.3 工具動作	30
3. 作動	31
3.1 予備作業	31
3.2 エア供給	31
3.3 ツールの構成	32
3.4 操作の原理	32
3.5 操作手順	32
4. ノーズアセンブリ	33
4.1 取り付け手順	33
4.2 サービス手順	33
4.3 74290ノーズアセンブリコンポーネント	33
5. ツールの保守	35
5.1 毎日の整備	35
5.2 毎週の点検	35
5.3 サービスキット	35
6. メンテナンス	36
6.1 トリガーユニット	36
6.2 垂直トリガーユニット (43から48まで)	36
6.3 空圧ピストンユニット	36
6.4 油圧ピストンユニット	36
6.5 ピストンロッドパンチユニット	36
6.6 モリコート55Mグリース	37
6.7 環境保護	37
7. 全体的な構成	38
7.1 ベースツール74290の一般的な組み立て	38
7.2 部品表74290の一般的な組み立て	39
8. プライミング	40
8.1 オイル詳細	40
8.2 HYSPI®VG 32オイル 安全データ	40
8.3 プライミング手順	40
8.4 オイルトップアップ	40
9. 故障診断	41
10. EC 法令順守の宣言	42
11. 英国の適合宣言	43
12. 投資の保護	44



この操作説明書は、本機を組立てまたは操作をする担当者が、以下の安全上のルールについて特に注意して読む必要があります。



ツールの操作中は、必ず耐衝撃性の保護メガネを着用してください。必要な保護等級は、使用ごとに評価します。







雇用主の指示に応じて、労働安全衛生規制の要求に従い、聴覚保護具を使用してください。



このツールを使用することで、破碎、衝撃、切り傷、擦り傷、熱など、オペレーターの手が危険にさらされる可能性があります。適切な保護手袋を着用して手を保護してください。

1. 安全の定義

下記の定義は各シグナルの言葉に対する重大さのレベルを示しています。マニュアルを良く読み、これらの表示に注意を払ってください。

-  **危険:** この表示を無視した場合、死亡事故または重傷につながる差し迫った危険な状況を示します。
-  **警告:** この表示を無視した場合、人が死亡または重傷を負う可能性がある潜在的な危険な状況を示します。
-  **注意:** この表示を無視した場合、軽度または中程度の障害を負う場合がある潜在的な危険な状況を示します。
-  **注意:** 表示を無視した場合、潜在的な危険な状況を示す安全上の警告表示なしで使用すると、資産が損傷を受ける場合があります。

本製品の不適切な操作または保守を行った場合は、重傷を負ったり物的損害が発生する可能性があります。本機を使用する前に、すべての警告および操作の説明を読み理解してください。電動ツールを使用するときは、怪我のリスクを減らすために基本的な安全上の注意を必ず守る必要があります。

今後も参考にして頂くため、警告と取扱い説明書はすべて保管してください

1.1 一般安全ルール

- 複数の危険性について、ツールの取り付け、操作、修理、保守、アクセサリの交換、またはツールの近くで作業する前に、安全に関する指示を読んで理解してください。そうしないと、重大な人身事故につながる可能性があります。
- 認定されたトレーニングを受けたオペレーターのみが、ツールを取り付け、調整、または使用する必要があります。
- STANLEY Engineered Fasteningの設計意図を外れた使用はしないでください。
- 製造会社が推奨する部品、締付け具、アクセサリのみを使用してください。
- ツールを改造しないでください。改造すると、安全対策の有効性が低下し、オペレータのリスクが高まります。本機に対する改造がお客様によってなされた場合、すべての責任はお客様になり保証の適用は受けられなくなります。
- 安全上の指示を破棄しないでください。それらをオペレータに渡してください。
- ツールが破損している場合は使用しないでください。
- 使用前には、可動部品の不整列または結合、部品の損傷、その他本機の操作に影響を与える状態がないかを確認してください。損傷がある場合は、使用する前に本機の保守を受けてください。使用する前に調整キーまたはレンチを取り外してください。
- ツールは定期的に点検し、ISO 11148のこの部分に必要な定格とマーキングがツールに判読可能にマークされていることを確認します。雇用主/ユーザーは、必要に応じて製造元に連絡し、交換用のマーキングラベルを入手してください。
- 本機は常に安全な作業状態が維持され、訓練を受けた担当者によって損傷や機能を確認するために定期的に検査を受ける必要があります。分解作業は訓練を受けた担当者によってのみ行ってください。保守の説明を予め参照することなく本機を分解しないでください。

1.2 発射の危険

- 保守作業の前、ノーズアセンブリまたはアクセサリの調整、取付け、取外しをする前には本機からエアの供給を外してください。
- ワークピースやアクセサリ、あるいは挿入されたツール自体が故障すると、高速の弾丸が発生する可能性があるため注意が必要です。
- ツールの操作中は、必ず耐衝撃性の目の保護具を着用してください。必要な保護等級は、使用ごとに評価します。
- この際、他者への危険も評価します。
- ワークピースがしっかりと固定されていることを確認します。
- ツールの前面から破片が強制的に排出される可能性があることを警告します。

- 人に向けての本機の操作は行わないでください。

1.3 操作上の危険

- このツールの使用により、オペレータの手は、つぶれ、衝撃、切り傷、擦り傷、熱などの危険にさらされる可能性があります。適切な保護手袋を着用して手を保護してください。
- オペレータと保守担当者は、ツールの大きさ、重量、パワーを物理的に扱える必要があります。
- ツールを正しく保持します。通常または突然の動きに対処する準備をし、両手が使える状態にします。
- 本機のハンドルの部分は乾いたきれいな状態を保ち、油やグリスの付着がないようにしてください。
- ツールを操作するときは、バランスのとれた姿勢を維持し、足場を確保してください。
- エア供給が中断した場合は、スタートアンドストップ (開始停止) 装置を解除してください。
- 製造元が推奨する潤滑剤のみを使用してください。
- 油圧油に触れることは避けてください。触れてしまった場合は、発疹が発生しないように、完全に洗い流してください。
- 油圧オイルおよび潤滑油の製品安全データシートは、ツールの製造元に請求して入手してください。
- ツールの通常の動きまたは予期しない動きに対処することができない可能性がある不適切な姿勢での操作は避けてください。
- ツールがサスペンション装置に固定されている場合は、確実に固定されていることを確認してください。
- ノーズ装置が取り付けられていない場合、つぶされたりつままされたりする危険に注意してください。
- ノーズハウジングを外した状態で操作しないでください。
- 本機のオペレータの手が前進する前に適切なクリアランスが必要です。
- 本機を持ち運ぶ場合は、トリガから手を離して不注意な起動を避けてください。
- 本機をハンマーとして落とすまたは使うことで乱用しないでください。

1.4 繰返し動作の危険

- このツールを使用すると、オペレータは手、腕、肩、首、またはその他の体の部分に不快感を覚える可能性があります。
- 本機を使用する際には、安定した足場で、無理な姿勢やバランスが崩れた姿勢ではない快適な姿勢を保つ必要があります。長時間にわたり作業を継続する場合は、姿勢を変えることで不快感や疲労を軽減させることができます。
- オペレータに不快感、痛み、ズキズキする痛み、うずくような痛み、チクチクする痛み、しびれ、灼熱感、こわばりなどの症状が継続的または繰返し生じた場合は、これらの警告サインを無視してはいけません。オペレータは雇用主にその旨を伝え、資格のある医療従事者にの診察を受けてください。

1.5 アクセサリの危険

- ノーズアセンブリまたはアクセサリを取り付けたり取り外したりする前に、ツールをエア供給部から外します。
- ツールの製造元が推奨するサイズとタイプのアクセサリと消耗品のみを使用してください。他のタイプまたはサイズのアクセサリまたは消耗品を使用しないでください。

1.6 作業場の危険

- スリップ、つまずき、転倒は、作業場の怪我の主な原因です。ツールの使用により滑りやすくなった表面や、エアラインまたは油圧ホースにつまづく危険に注意してください。
- 慣れない環境では注意して行動してください。電気やその他のユーティリティラインなどの隠れた危険がある可能性があります。
- このツールは、爆発の可能性のある雰囲気での使用を想定しておらず、電力との接触に対して絶縁されていません。
- ツールの使用により損傷した場合に危険を引き起こす可能性のある電気ケーブル、ガス管などが無いことを確認してください。
- 衣服をきちんと着用してください。だぶだぶの衣服やジュエリーを身に着けないでください。髪、衣服、手袋を可動部分から離してください。だぶだぶの衣服、ジュエリーや長い髪は可動部分に引き込まれる可能性があります。

1.7 ノイズの危険

- 高いノイズレベルにさらされると、永続的な聴覚障害や耳鳴りなどのその他の問題 (耳鳴り、うなり、ヒューヒュー音、ブンブン音) を引き起こす可能性があります。そのため、リスク評価とこれらの危険に対する適切な管理の実施が不可欠です。
- リスクを低減する適切な管理には、工作物の「音鳴り」を防止する制振材などが含まれます。
- 雇用主の指示に応じて、また労働安全衛生規制の要求に従い、聴覚保護具を使用してください。
- 不要なノイズの増加を防ぐため、消耗品/挿入ツールの選択、保守、交換は、取扱説明書の推奨および手順に従って行ってください。

1.8 振動の危険

- 振動にさらされると、手や腕の神経や血液供給に障害を引き起こす可能性があります。

- 寒い場所で作業するときは暖かい服を着て、手を暖かく乾いた状態に保ってください。
- 指や手の皮膚のしびれ、うずき、痛み、または白化を経験した場合は、ツールの使用を中止し、雇用主に連絡して医師に相談してください。
- 軽量のグリップを使用してツールを支持できるため、可能な場合はスタンド、テンショナー、またはバランサーでツールの重量を支えます。
- 取扱説明書に記載されている通りに操作し、アセンブリ電動工具を操作およびメンテナンスを行うことで、振動レベルの不必要な上昇を防ぐことができます。
- 取扱説明書に記載されている通りに操作し、消耗品や挿入工具の選択、メンテナンス、交換を行うことで、騒音レベルの不必要な上昇を防ぐことができます。
- 握る力が大きいほど振動の危険性が高くなるため、必要な手の反力を考慮して、軽かつ安全にツールを握ってください。

1.9 空圧式電動ツールのためのその他の安全指示

- 運転時の供給空気圧は、7 bar (102 PSI) を超えてはなりません。
- 加圧エアは重傷を引き起こす可能性があります。
- 本機を人がいない状態で動作させないでください。ツールを使用していないとき、アクセサリを交換する前、または修理を行うときは、エアホースを外してください。
- 自分や他の人にエアを向けないでください。
- ホースを急に動かすと、重傷を負う可能性があります。ホースや継手の損傷や緩みがないか常に確認してください。
- 使用する前に、エア配管に損傷がないか検査してください。接続部はすべてしっかり締められている必要があります。ホースの上に重い物を落とさないでください。鋭い衝撃は内部の損傷の原因になりホースの欠陥を早期に招く場合があります。
- 冷気は手から遠ざけます。
- ユニバーサルツイストカップリング (クローカップリング) を使用する場合は、必ずロックピンを取り付け、ホイップチェック安全ケーブルを使用して、ホースとツールまたはホースとホースの接続不良が起きないように保障措置を講じます。
- ホースで位置決めツールを持ち上げないでください。必ず位置決めツールのハンドルを使用してください。
- 通気穴はブロックされたりカバーされたりしないようにしてください。
- ツールが故障する原因になるため、油圧システムに汚れや異物が入らないようにしてください。

2. 仕様

2.1 用途

74290は、丸い穴を六角穴に変換するためのツールです。六角穴は、ドリルを使って開けます。次に、パンチとダイを備えた工具を穴に挿入し、他の材料を除去して六角穴を作り、六角ねじを受け入れる準備をします。

このようにして、簡単かつ迅速にネジ付きインサートを取り付けることができます。このネジ付きインサートは、六角形の形状により接合部の回転を保証し、丸いネジ付きインサートや他の競合技術（ナット、溶接ナットなど）と比較して、製造工程や提供される性能に明らかな利点があります。

ねじインサート用のこのツールを使用することで、ボックスタイプのデザインピース、少量生産シリーズ、現場でのアプリケーションなど、アプリケーションの範囲が広がります（これまでは、事前に打ち抜かれたシートを使用する場合に限られていました）。

素材の種類や厚さに応じた穴の開け方については、34ページをご覧ください。

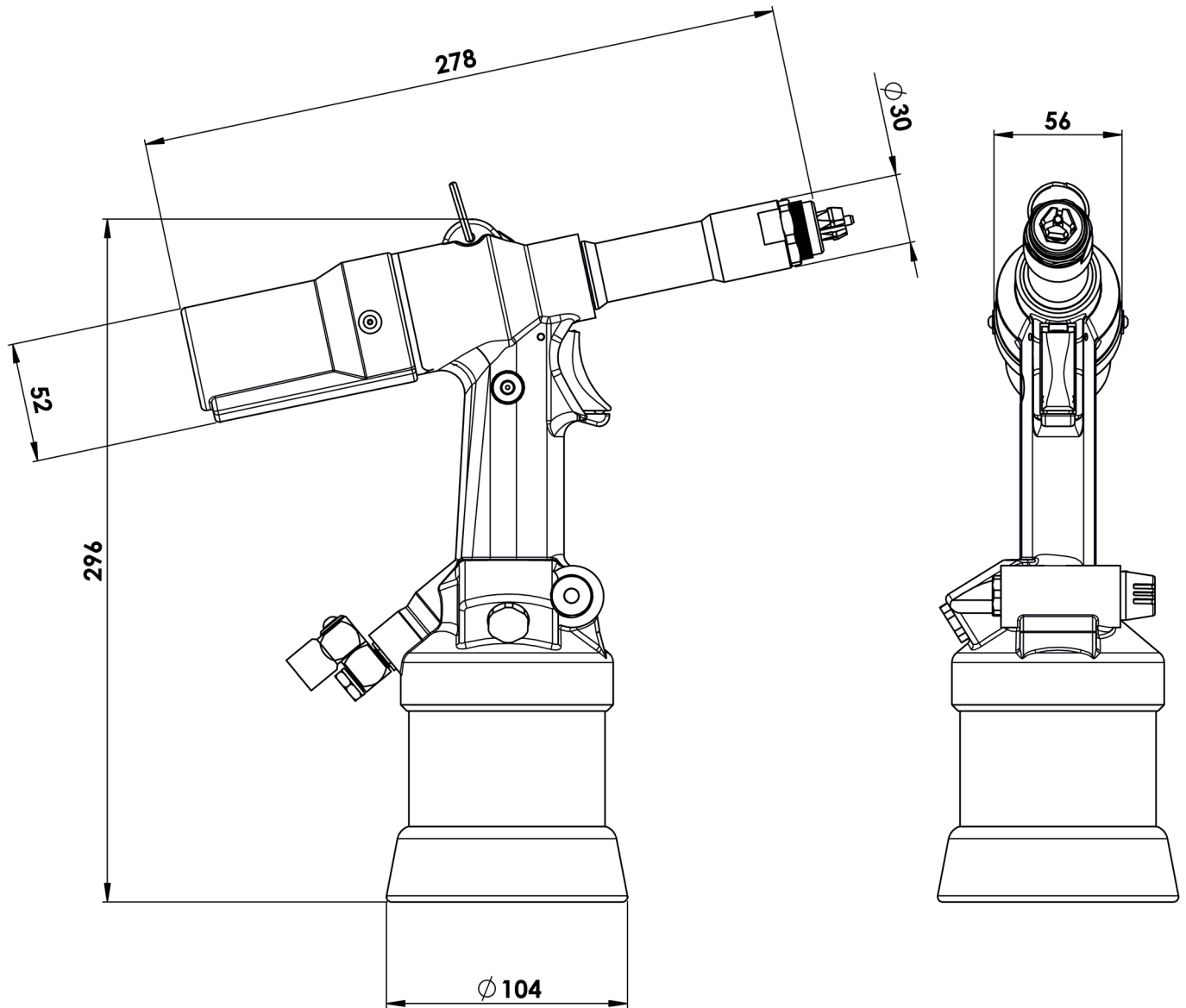
濡れた状態や可燃性の液体や気体のある場所では使用しないでください。

2.2 位置決めツールの仕様

空気圧	最小 - 最大	5-7 bar (75-100 lbf/in ²)
必要な自由空気量	@ 5 bar/75 lbf/in ²	8 リットル (0.28 ft ³)
ストローク	最大	6.5 mm (0.256 in)
引込み力	@ 5.5 bar/ 2400 kgf	23.5 kN (5290 lbf)
重量	ノーズ装置を除く	2.2 kg (4.85 lb)

ノイズテストコードISO 15744およびISO 3744に従って決定されたノイズ値。		74290
A特性音響パワーレベルdB(A)、L _{WA}	不確定ノイズ：k _{WA} = 3.0 dB(A)	89.4 dB(A)
ワークステーションでのA特性放出音圧レベルdB(A)、L _{PA}	不確定ノイズ：k _{PA} = 3.0 dB(A)	87.4 dB(A)
C特性ピーク放出音圧レベルdB (C)、L _{PC} 、ピーク	不確定ノイズ：k _{PC} = 3.0 dB (C)	89.8 dB(C)
振動テストコードISO 20643およびISO 5349に従って決定された振動値。		74290
振動放出レベル a _{hd} :	不確定振動: k = 0.94 m/s ²	2.36 m/s ²
EN 12096に基づき宣言された振動放出値		

2.3 工具動作



太字表記の寸法の単位はミリメートルです。

3. 作動

重要ご使用になる前に、26 - 28ページの安全規則をよくお読みください。

- 適切なサイズのノズ装置を選択し取り付けてください。
- 位置決めツールをエア供給に接続してください。トリガ 40 を引いたり離したりして引込みと戻りのサイクルをテストしてください。
- 本機を希望するストローク/圧力に設定してください。

▲ 注意: インストールツールが正しく機能するためには、適切な供給圧力が重要です。適切な圧力が得られない場合、人身事故や機器の損傷を招く恐れがあります。供給圧力が、位置決めツールの仕様の範囲を超えないようにしてください。

3.1 予備作業

毎日、本機を使用する前に、「潤滑」の項で説明した作業を行ってください。

本機を空気供給装置に接続する前に、圧縮空気を供給管に吹き込み、結露した水や異物の痕跡を取り除きます。

潤滑：エアホースを接続する前に、少量の軽油をエア導入部の継手に注入してください

3.2 エア供給

- 本機は最適圧力5および7 barの圧縮エアで操作します。主エア供給では、圧力レギュレータおよび自動オイルリング/フィルタリングシステムの使用を推奨します。これらは、ツールの寿命を最大限に伸ばし、ツール保守の必要性を最小限に抑えるために、ツールから3メートル以内に取り付けてください（下図参照）。

エア供給ホースには、システムで生成される最大圧力の150%または10 barのどちらか高い方の最小作業効果的圧力レートが必要です。エアホースはオイル抵抗があり、外面は摩耗抵抗があるため、操作条件がホースの損傷を招く場合がある場所では外側を保護する必要があります。すべてのエアホースは、最小内径が6.4mm (1/4インチ) でなければなりません。

要求された穴を開けるのに必要な最小限の圧力でツールを操作することをお勧めします。そうすることで、空気の消費量が少なくなり、ツールの寿命を最大限に延ばすことができます。

サービングデイリーの35ページの詳細をご覧ください。

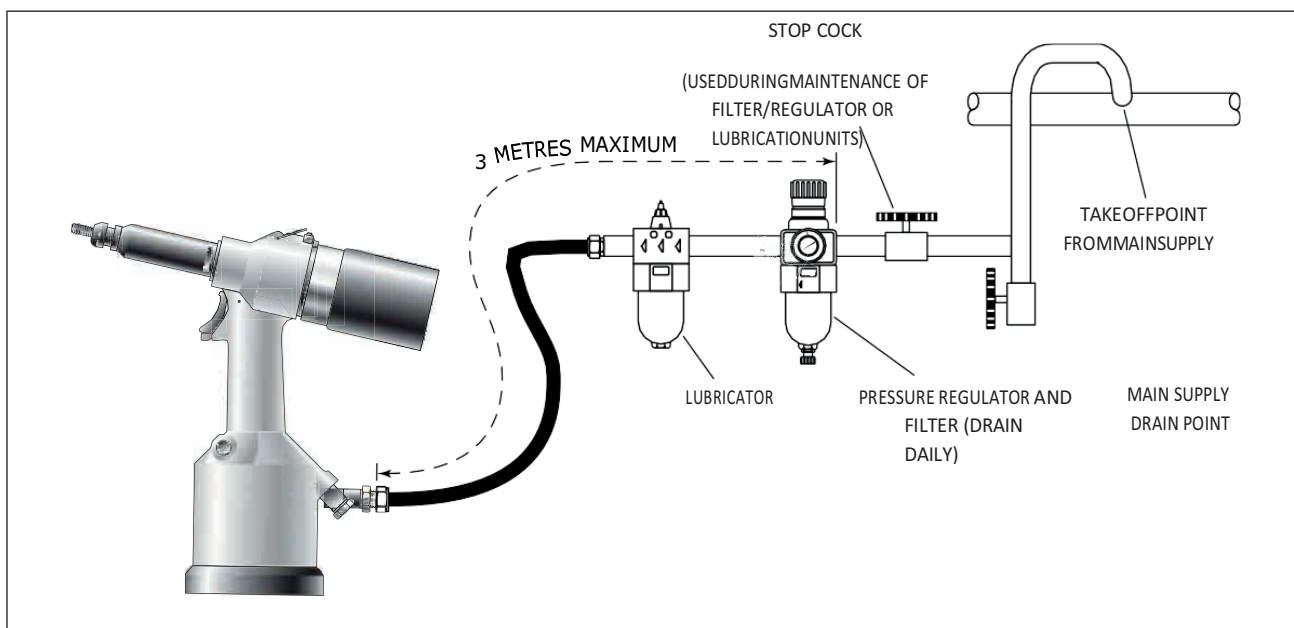


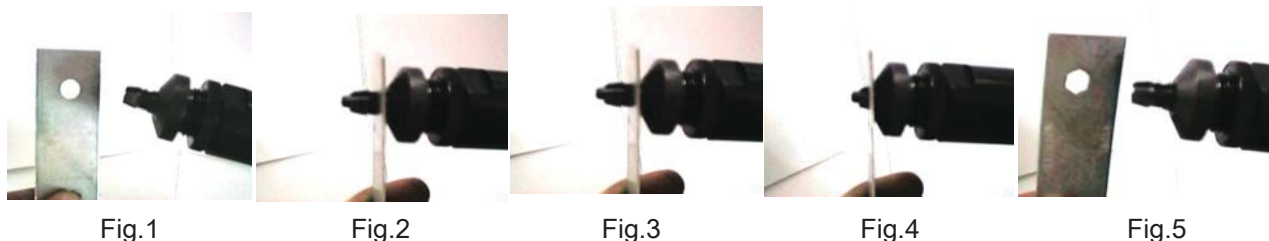
Fig. 2

3.3 ツールの構成

本ツールは、M4、M5、M6、M8、M10の六角ねじ込みインサート用の六角穴を開けることができます。実現したい穴に応じて、適切な機器を関連する部品番号で注文することができます（34ページの表を参照）。

3.4 操作の原理

適切な機器に付属のツールを空気供給装置に接続します（穿孔する材料に関連した推奨空気圧の表を参照）。



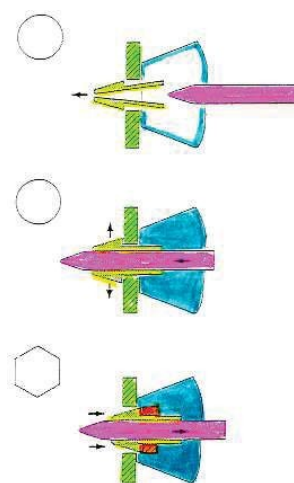
- Fig.1 丸い穴の開いたワーク。
- Fig.2 74290ツールに固定されたパンチを、あらかじめ開けておいた丸い穴に挿入します。
- Fig.3 トリガーを押します。このようにして、ロッド24が前進し、パンチの刃が穴の壁に伸びると、これでパンチがスタンプできるようになります。
- Fig.4 次の段階では、パンチが余分なシート材を取り除き、六角インサートを配置するのに適した六角穴を形成します。
この段階が終わると、パンチは穴から後退し、パンチング・スクラップを除去します。一般的にスクラップは、パンチング効果とパンチが後方の位置に戻ることで排出されます。パンチが詰まることなく、スクラップが排出されます。
- Fig.5 74290の工具で六角穴を開けたワークに、六角穴用のねじを取り付ける準備ができました。
- パンチに切れ端が残らないようにします。
 - これで、ツールは新たな作業段階に入ることができます。

丸穴を六角穴に変換し、ヘクスルト®ネジ穴M4～M10を使用することができます。ワークピースの厚さの範囲（それぞれのパンチ装置は別途注文する必要があります）。

アルミニウム	M4 M10 :	0.5 - 2.5 mm
	M5 - M8:	0.5 - 4.5 mm
鋼	M4 :	0.5 - 1.5 mm
	M5 - M10 :	0.5 - 3.0 mm
ステンレス鋼	M4 - M10 :	0.5 - 1.5 mm

3.5 操作手順

- 74290ツールに取り付けたパンチを丸い穴の中に入れます。
- 74290ツールのトリガーを完全に押し下げます。ピストンがパンチを伸ばし、シート材に自動的に穴を開けます。そうすることで、六角穴が開けられます。これで、スタンレー・エンジニアード・ファスニング・ツールのモデル74200と74202を使って、ネジ付き六角インサートを挿入することができます。



4. ノーズアセンブリ

本機を使用する前に、正しいノーズアセンブリを取り付けることが重要です。位置決めするファスナーの詳細を知ること、34ページの選択表を使い、新しいノーズアセンブリを注文することができます。

4.1 取り付け手順

▲ 注意: ノーズアセンブリの取り付け/取り外しの際には、特に指示がない限り、空気供給を外す必要があります。

装着方法は非常に簡単で、以下のように説明されています。

太字の項目番号は、下の図 (38ページ) を参照してください。

- 本機をエア供給から切り離します。
- アウターケーシング**4**とカップリングスリーブ**5** (ツールに取り付けられている場合) のネジを外します。
- パンチ**1**を接続部**6**から出ているロッド**24**の上に置き、17mmスパナを使って部品**6**と**5**を締めます。
- アウターケーシング**4**を再び取り付けます。
- ダイ**2**を、まずカウンターロックナット**3**にねじ込み、次にケーシング**4**にねじ込みます。
- パンチ**1**に対するダイのカウンターロックナットによるロックは、六角パンチを実現する材料の厚さによって異なります。その後、スクリューナットレンチでカウンターロックナットをはめます。

4.2 サービス手順

ノーズアセンブリは、1週間ごとにメンテナンスを行ってください。

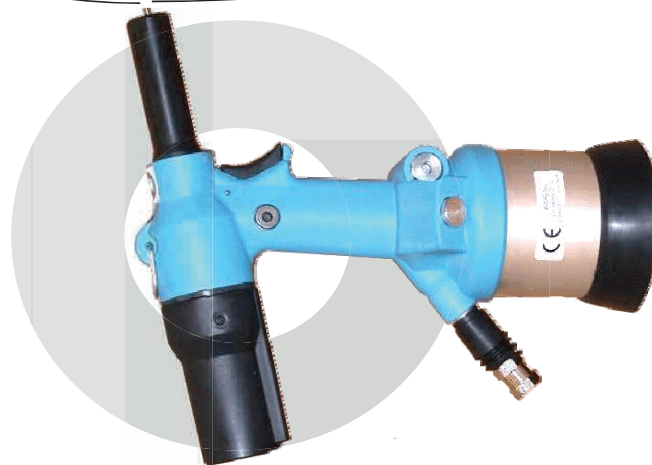
- ノーズアセンブリ全体を、「取付け手順」と逆の手順で取り外します。
- 摩耗や損傷のある部品を新しい部品と交換します。
- 特にパンチの摩耗を確認してください。
- 取り付け説明書に従って組み立ててください。

4.3 74290 ノーズアセンブリコンポーネント

ノーズチップは、インサートの種類により形状が異なります。各ノーズアセンブリは、個別に注文可能な部品の組み合わせです。部品番号は38ページの図を参照しています。定期的に交換する必要があるため、予め在庫を用意しておくことを推奨します。。

THIS COMPLETE EQUIPMENT - complete equipment		Punch	Adapter	Matrix	Thickness/grip ø Forum/hole	indicative across flats	kit adapter
M4	74290-00004	74290-09571	74290-09102	74290-09211	0,5 à 2,5	6,2 à 6,3	no
M5	74290-00005	74290-99641	74290-09102	74290-09221	0,5 à 4,5	7,2 à 7,3	no
M6	74290-00006	74290-99741	74290-09102	74290-09231	0,5 à 4,5	9,3 à 9,4	no
M8	74290-00008	74290-99821	74290-09102	74290-09241	0,5 à 4,5	11,3 à 11,5	no
M10	74290-00010(2)	74290-09881	74290-07000	74290-09251	0,5 à 2,5	13,4 à 13,6	7429000010kit.
<i>The equipment described below is compatible with aluminum, but we do not recommend use on this material. They need a thorough cleaning for every work cycle (forming hexagon)</i>							
M4	74290-00014(1)	74290-06571	74290-09102	74290-06211	0,5 à 2,5	6,2 à 6,3	74290x07555
M5	74290-00015	74290-06641	74290-09102	74290-06221	0,5 à 4,5	7,2 à 7,3	no
M6	74290-00016	74290-06741	74290-09102	74290-06231	0,5 à 4,5	9,3 à 9,4	no
M8	74290-00018	74290-06821	74290-09102	74290-06241	0,5 à 4,5	11,3 à 11,5	no
M10	74290-00020(2)	74290-06881	74290-07000	74290-06251	0,5 à 2,5	13,4 à 13,6	7429000010kit.
ALUMINIO - aluminum							
M4	74290-00014(1)	74290-06571	74290-09102	74290-06211	0,5 à 1,5	6,2 à 6,3	74290x07555
M5	74290-00015	74290-06641	74290-09102	74290-06221	0,5 à 3,0	7,2 à 7,3	no
M6	74290-00016	74290-06741	74290-09102	74290-06231	0,5 à 3,0	9,3 à 9,4	no
M8	74290-00018	74290-06821	74290-09102	74290-06241	0,5 à 3,0	11,3 à 11,5	no
M10	74290-00020(2)	74290-06881	74290-07000	74290-06251	0,5 à 3,0	13,4 à 13,6	7429000010kit.
ACCIAIO - steel							
M4	74290-00014(1)	74290-06571	74290-09102	74290-06211	0,5 à 1,5	6,2 à 6,3	74290x07555
M5	74290-00015	74290-06641	74290-09102	74290-06221	0,5 à 1,5	6,2 à 6,3	no
M6	74290-00016	74290-06741	74290-09102	74290-06231	0,5 à 1,5	7,2 à 7,3	no
M8	74290-00018	74290-06821	74290-09102	74290-06241	0,5 à 1,5	9,3 à 9,4	no
M10	74290-00020(2)	74290-06881	74290-07000	74290-06251	0,5 à 1,5	11,3 à 11,5	no
INOX - stainless							

(1) Adapter kit is required 74290X07555
 (2) Adapter kit is required
 rev. 01/2011



5. ツールの保守

定期的な整備を行い、総合的な検査を年に1回または500,000サイクル毎のいずれか早い方の時点で行う必要があります。

- ▲ 注意: ツールの非金属部分の洗浄には、溶剤やその他の刺激の強い薬品を絶対に使用しないでください。これらの薬液は部品に使用されている材料を劣化させる場合があります。
- ▲ 注意: 保守作業を始める前に、作業工程で蓄積した危険な物質をすべて取り除きます。
- ▲ 注意: 雇用者は、適切な人員にツールのメンテナンス指示を与えることを保証する責任を負います。
- ▲ 注意: 適切に訓練されていないオペレーターは、ツールのメンテナンスあるいは修理に関与することは認められません。
- ▲ 注意: ツールに損傷や故障がないか定期的に検査してください。
- ▲ 注意: 安全に関する指示 (26 ~ 28ページ) を読んでください。

5.1 毎日の整備

- 毎日の使用前、または本機を初めて使用する際など、エア供給に潤滑されていない場合には清浄で軽い潤滑油を数滴本機の吸気口に注入してください。本機を連続使用する場合は、エアホースをメインのエア供給から切り離し、本機を2、3時間毎に潤滑します。
- エア漏れがないか確認します。損傷したホースとカップリングは必ず新しいものと交換してください。
- 圧力レギュレータにフィルタがない場合は、エアホースを本機に接続する前にエアラインを抽気して蓄積した汚れや水を排出します。
- ノーズアセンブリが適切なことを確認します。
- ツールのストロークが正しいか確認します。
- ノーズアセンブリのパンチに摩耗や損傷がないか点検します。摩耗や損傷がある場合には、新しいものと交換します。

5.2 毎週の点検

- * エア供給ホースや取付け部分にオイル漏れやエア漏れがないか確認します。

5.3 サービスキット

すべての修理には、下記のサービスキット (部品番号74290-03000) の使用を推奨します。

サービスツール			
説明	部品	説明	部品
スパナ 32mm	パーツNo.18用	アレンキー5mm	パーツNo.35用
スパナ 20 mm (装備の一部)	パーツNo.7用	アレンキー2 mm	パーツNo.33用
ソフトジョー付き万力	パーツNo.37用	スパナ 12 mm	パーツNo.75用
フラットノーズプライヤー	パーツNo.12用	フック装置	パーツNo.83、28用
スパナ 10 mm	パーツNo.73用	スパナ 17 mm	パーツNo.31用
筒型ソケットレンチ 25 mm	パーツNo.62用	スパナ 22 mm	パーツNo.4用
アレンキー12 mm	パーツNo.64用	ピンパンチ	パーツNo.38用

6. メンテナンス

500,000サイクルごとにツールを完全に分解し、損傷または磨耗した構成部品を推奨に従い交換します。すべてのOリングとシールを新しいものに交換し、Molykote 55Mグリースを塗布してから組み立てます。

▲ 警告: 安全に関する指示 (26 ~ 28ページ) を読んでください。

▲ 警告: 雇用者は、適切な人員にツールのメンテナンス指示を与えることを保証する責任を負います。

▲ 警告: 適切に訓練されていないオペレーターは、ツールのメンテナンスあるいは修理に関与することは認められません。

▲ 警告: ツールに損傷や故障がないか定期的に検査してください。

特に指示がない限り、整備や分解を試みる前に、エアラインを切り離します。

分解作業は清潔な環境で行なうことを推奨します。

本機を分解する前に、ノーズアセンブリを取り外す必要があります。簡単な取り外し方法については、ノーズアセンブリのセクション (33ページ) を参照してください。

ツールの総点検を行う場合は、以下の順序でサブアセンブリの解体を進めることをお勧めします。

6.1 トリガーユニット

- ピン**38**を外し、トリガーユニット**39-40-41-42**を取り出します。

6.2 垂直トリガーユニット (43から48まで)

- このユニットを取り外すには、ペネマティックピストンアッシー (PNEUMATIC PISTON ASSY) を分解する必要があります。

6.3 空圧ピストンユニット

- オイルドレンボルト**35**を緩め、オイルを抜きます。
- 本機を逆さまにして万力に入れます。ボディ**37**を傷つけないように、柔らかい爪を使うように注意してください。
- 2つのナット**73** (キー10mm) を緩め、エンドプラグ・ロック**75**を抜きます。ピストン**68**がスプリング**65**によって激しく飛び出す可能性があるので注意してください。
- 25mmのバレルレンチでロッドガイド**62**のネジを外します。この状態で、ロッド**43**を押すと、垂直トリガーユニット (43から48まで) を取り出すことができます。
- 必要に応じて、ステム**66**をピストン**68**から分離しますが、再組み立てのためには、これらの2つの部品をボルト**76**のねじ部にロックタイト**222**シーリングを施して接合する必要があることを覚えておいてください。

6.4 油圧ピストンユニット

- アウターケーシング**4**、カップリングスリーブ**5**、ピストン接続部**6**のねじを外します。2本のネジ**33**を外し、プロテクション**21**を取り出します。ロックネジ**26**を外し、パイプ**27**をシリンダー**19**内に移動させます。
- ピストン**7**をピストンロッドパンチユニットから取り外します。そのために、20mmのレンチをピストン**7**の後ろに、32mmのレンチをヘッド**18**に差し込んで、ねじを外します。ネジ**17**を緩め、リミットストップ**16**とスプリング**15**を取り出し、油圧ピストンを引き抜きます。
- リップシール**83**を交換するには、シーガサークリップリング**12**を取り外します。

6.5 ピストンロッドパンチユニット

- 空気圧シリンダを、それぞれの円周上に配置して、万力に入れます。
- スプリング**25**を引き抜きます。
- 32mmのレンチでヘッド**18**のネジを外します。
- このようにして、部品**24**、**23**、**22**を取り出すことができます。

▲ 注意: ツールを分解した後には、運転に先立って必ずプライミングが必要です。

太字の項目番号は、一般組立図と部品表を参照してください (38 ~ 39ページ) 。

6.6 モリコート55Mグリース

グリースは単品で注文できます。部品番号はサービスキットの35ページに記載されています。

救急

皮膚: 拭き取り後、石鹼と水で洗ってください。

経口摂取: 通常、副作用は生じません。症状に応じた治療を行ってください。

目: 刺激を感じても損傷の原因にはなりません。水で洗浄し、医師の診察を受けてください。

環境

集めて焼却するか、認められた場所に廃棄します。

発火

引火点: 101 °C

可燃性に分類されません。

適切な消火メディア: 二酸化炭素、乾燥粉末消火薬剤、細噴霧水。

取り扱い

プラスチックまたはゴム製手袋を着用してください。

保管

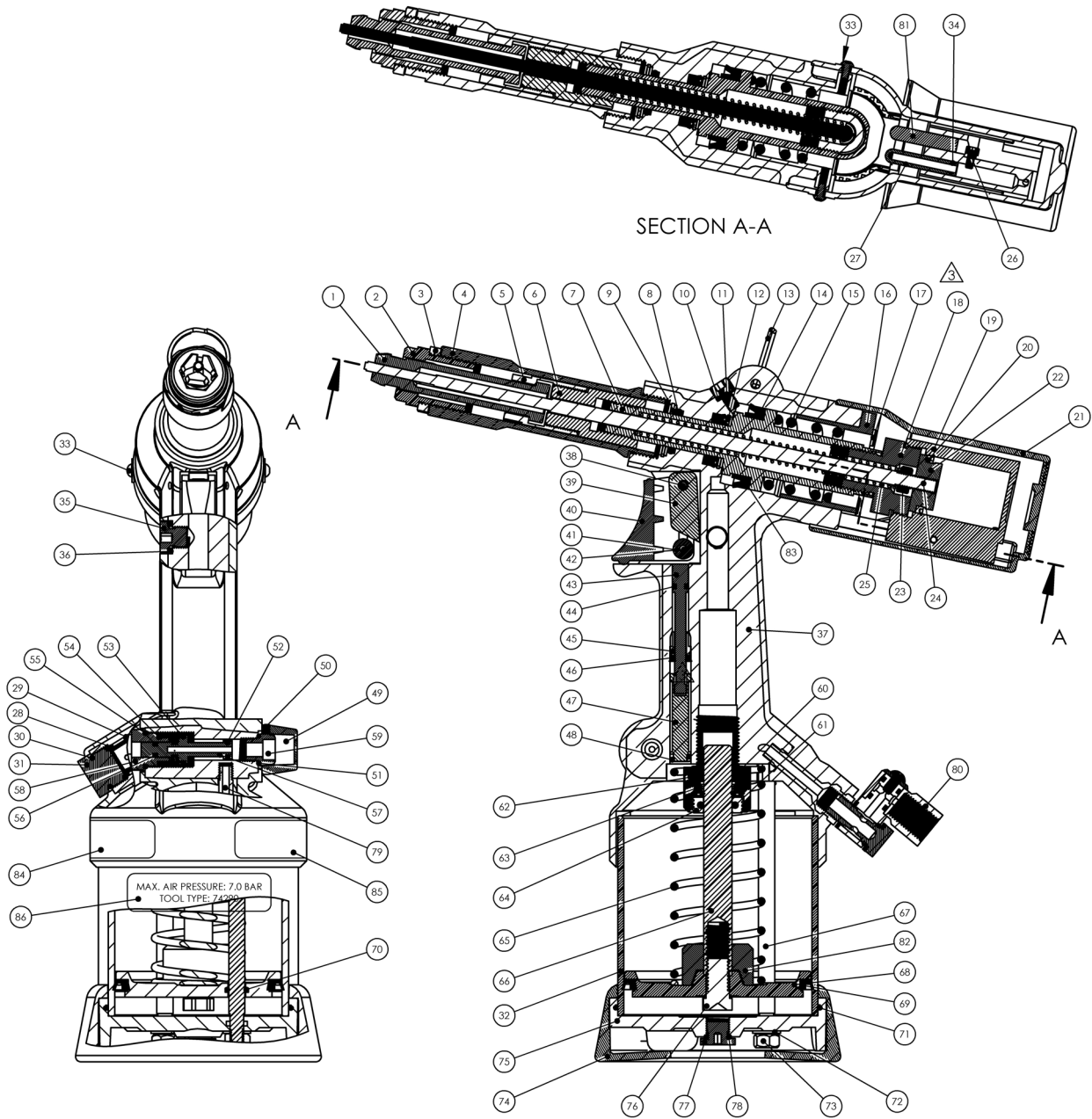
熱や酸化剤の近くで保管しないでください

6.7 環境保護

適用される廃棄規制への適合を保証します。人や環境を危険にさらさないように、承認された廃棄物施設またはサイトですべての廃棄物を処分してください。

7. 全体的な構成

7.1 ベースツール74290の一般的な組み立て



7.2 部品表74290の一般的な組み立て

MKII ツール用パーツリスト - 74290-03000											
品目	部品番号	説明	数量	品目	部品番号	説明	数量	品目	部品番号	説明	数量
1	マニユアル参照	バンチ	1	31	74290-03012	エンドブラグ	1	61	07003-00134	Oリング	1
2	マニユアル参照	ダイ	1	32	74290-03013	シリンダージャケット	1	62	74200-12015	ロッドガイド	1
3	マニユアル参照	アウターローックナット	1	33	74290-03014	締め付けネジM3	2	63	74200-12014	ワッシャー	1
4	07555-00315	アウターケーシング	1	34	74200-12060	Oリング	2	64	74200-12013	ナット	1
5	74290-09102	カッパリングスリーブ	1	35	07005-01274	オイルドレンボルト	1	65	07555-00205	スプリング	1
6	07555-00314	ピストン接続	1	36	74290-03015	スクリュウワッシャー	1	66	74290-03018	ステム	1
7	74290-03001	ピストン	1	37	74290-03016	ボテイ	1	67	74290-03019	タイロッド	2
8	07003-00028	Oリング	1	38	74200-12026	ピン	1	68	74290-03020	空圧ピストン	1
9	74200-12099	ワッシャー	1	39	74200-12024	プッシュユエッジ	1	69	74290-03021	リップシール	1
10	74200-12049	ブリーダワッシャー	1	40	74200-12025	トリガー	1	70	74290-03022	Oリング	2
11	07001-00329	ブリードボルト	1	41	74200-12023	ロール	1	71	74290-03023	Oリング	1
12	07004-00033	シーガーサークリップリング	2	42	74200-12022	ピン	1	72	74290-03024	ワッシャー	2
13	74290-03002	サスペンションリング	1	43	74200-12020	トリガーロッド	1	73	74290-03025	ナット	2
14	74200-12053	リップシール	1	44	07003-00315	Oリング	1	74	74290-03026	ラバーベース	1
15	07555-00317	スプリング	1	45	74200-12019	ガイド	1	75	74290-03027	エンドブラグロック	1
16	74290-03003	リミットストップ	1	46	74200-12018	リップシール	1	76	74290-03028	ボルト	1
17	74290-03004	ネジM4	4	47	74290-03017	バルブブラグ	1	77	74200-12103	ブラグ	1
18	07555-00320	ロッドシリンダーヘッド	1	48	07003-00027	Oリング	1	78	07003-00029	Oリング	4
19	74290-03005	ロッドシリンダー	1	49	74200-12302	デフレクター	1	79	74290-03029	エアインレットパイプ	1
20	07555-00324	シールロッドシリンダー	1	50	74200-12301	セットネジ	1	80	74200-12700	エアコネクター	1
21	74290-03006	プロテクション	1	51	74200-12033	ワッシャー 1/8	1	81	74290-03033	回転防止ブラグ	1
22	07555-00323	ワッシャーピストン	1	52	07003-00046	Oリング	1	82	74290-03032	ストロークストップ	1
23	07265-03206	ナット	1	53	07003-00026	Oリング	1	83	07265-02004	リップシール	1
24	74290-03007	プッシャー	1	54	74200-12104	スプリング	1	84	07007-01526	CE & UKCA ラベル	1
25	07555-00321	スプリング	1	55	07003-00086	Oリング	1	85	73200-02022	安全ラベル	1
26	74290-03008	パイプロックネジM3	1	56	07003-00040	Oリング	1	86	07007-02221	74290 ラベル	1
27	74290-03009	デルリンパイプ	1	57	74200-12028	バルブピストン	1				
28	74290-03010	リターダー	1	58	74200-12027	ナット	1				
29	74290-03011	Oリング	2	59	74200-12034	サイレンサー	1				
30	74200-12029	Oリング	1	60	07003-00100	Oリング	1				

8. プライミング

ツールを分解した後には、運転に先立って必ずプライミングが必要です。ストロークが縮小され、締付け具が、トリガーの1度のオペレーションによって完全には取り付けられていない場合、一定の使用の後に十分なストロークを回復することが必要となることがあります。

8.1 オイル詳細

プライミングで推奨されるオイルは、0.5l (部品番号07992-00002)あるいは1ガロンコンテナ (部品番号07992-00006)で利用可能なHyspin® VG32です。下記の安全データを参照してください。

8.2 HYSPIN®VG 32オイル 安全データ

救急

皮膚:

すみやかに石鹼と水で肌を徹底的に洗浄すること。日常的な接触の場合、応急手当は必要ありません。短時間の接触の場合、応急手当は必要ありません。

経口摂取:

直ちに医師の診察を受けてください。吐かせないでください。

目:

数分間水で直ちに洗浄します。一次刺激原ではありませんが、次の接触で小さな刺激が生じることがあります。

発火

引火点: 232°C。可燃性に分類されません。

適切な消火メディア: CO2、乾燥粉末、泡あるいは水霧。ウォータージェットは使用しないでください。

環境

廃棄物処理: 許可された契約業者を通じて認められた場所で処分すること。焼却も可能です。使用済みの製品は埋め立て可能です。こぼれ: 排水管、下水管および水道に入らないようにしてください。吸収材で吸収させます。

取り扱い

保護メガネ、不浸透性手袋 (PVCなど)、プラスチック製エプロンを着用してください。十分換気されたエリアで使用してください。

保管

特別な注意事項はありません。

8.3 プライミング手順

- ▲ 注意: 油が完全に清潔で気泡が無いことを確認してください。
- ▲ 注意: プライミング作業中のツールは横にしておく必要があります。
- ▲ 注意: すべての操作を、清潔な手で、清潔なエリアの清潔な作業台で行ってください。
- ▲ 注意: 深刻な損害が生じる可能性があるため、ツールに異物が入らないよう注意してください。

8.4 オイルトップアップ

- 本機を水平に置きます。
- 5mmのアレンキーを使ってオイルドレンボルト35を緩めます。
- ピストンロッドが通っている部屋に通じる穴に、推奨オイルを注ぎます。
- ねじワッシャー36が正しい位置にあることを確認します。
- アレンキーを使ってオイルドレンボルト35を再び適度にねじ込みます。
- ここでツールのブリーディングを行います。この作業は、気泡を確実に除去するために必要です。
- ドレンボルト11がしっかりと閉まっていることを確認し、アレンキーを使って1回転だけネジを緩めてから、本機をエアサプライに接続し、トリガーを押します。
- ドレンボルト11の周りにオイルが出てくるまで待つてから、再度締めます。余分なオイルを取り除きます。
- トリガーを解除します。
- アレンキーでオイルドレンボルト35を開けます。
- プライミングオイルを補充してレベルをリセットします。スクリューワッシャー36とオイルドレンボルト35を所定の位置に戻し、しっかりと閉めます。
- ツールを使用する前に、適切なチップ装置を装着し、ツールのストロークを調整する必要があります。

9. 故障診断

症状	考えられる原因	対策
配管接続部からの空気漏れ27	Oリングの不良	交換する
パンチングロッドのパンチが穴の中に正しく入っていない	テールジョーのスイッチがオフになっています。	テールジョーのスイッチをオンにしてください。
パンチングロッドが進まない/戻らない	ロッドとパンチの間にゴミが入っている	必要に応じて、パンチを含む装置(ヘッド)を分解し、清掃する
六角穴が小さすぎる	パンチが摩耗している、ロッドの直径が小さくなっている	直径が3.95mm以下になっていないか、目視で確認して交換すること
工具でシートが作れない	パンチの摩耗、ストロークが小さすぎる	交換する オイルドレンボルトを開けて、オイルレベルを目視で確認します35。必要に応じて、所定のオイルを補充してください。
空圧式リターンズプリング65の破損、または過度の負荷がかかっています	交換する	可能であれば、より低い空気圧で動作させてください
オイル漏れ	前部：リップシール83の摩耗や傷、または油圧ピストンロッドの傷があります。 後部：ワッシャー14の摩耗や傷、または内部シリンダーの仕上げが傷んでいます。 下部：ワッシャー63が摩耗しているか、空圧ピストンロッドが傷ついています。	摩耗した部品や損傷した部品を交換し、締め付けを回復させる。 オイルを補充する。
空気の漏れ	トリガー部：Oリング44をチェックします 空気の抜け際：LIPシールの摩耗状態を確認69します。 エアパイプの接続部27：パイプが正しく取り付けられているか、Oリングの摩耗状態を確認します34。	摩耗していたら交換します

10. EC 法令順守の宣言

当社、**Stanley Engineered Fastening** (**Stanley House, Works Road, Letchworth Garden City, Hertfordshire, SG6 1JY UNITED KINGDOM**) は、本製品が以下のものであることを全責任において宣言します。

説明: **74290油圧空気圧ツール**


型式: **74290**

本宣言が本製品に関係するのは製品が以下の対応する規格に準拠しているためです。

ISO 12100:2010	EN ISO 3744:2010
EN ISO 11202:2010	EN ISO 11148-1:2011
EN ISO 4413:2010	BS EN 28662-1:1993
EN ISO 4414:2010	EN ISO 20643:2008+A1:2012
EN ISO 28927-5:2009+A1:2015	ES100118-rev 17:2017

技術文書は、付属文書VII、そして以下の指令に基づいて作成されています。**2006/42/EC**機械指令 (法定機器2008 No 1597-機械の供給 (安全) 規制が参照)。

署名者は、STANLEY Engineered Fasteningを代表してこの宣言を行います



A. K. Seewraj

エンジニアリングディレクター、英国

Avdel UK Limited, Stanley House, Works Road, Letchworth Garden City, Hertfordshire, SG6 1JY UNITED KINGDOM

発行場所: **Letchworth Garden City, 英国**

発行年月日: **01-01-2021**

署名者は、欧州連合で販売されている製品の技術ファイルの編集に責任があり、Stanley Engineered Fasteningに代わってこの宣言を行います。

Matthias Appel

チームリーダー技術文書

Stanley Engineered Fastening, Tucker GmbH, Max-Eyth-Str.1
35394 Gießen, ドイツ



本機は以下の規格に適合しています
機械指令**2006/42/EC**

11.英国の適合宣言

当社、Stanley Engineered Fastening (Stanley House, Works Road, Letchworth Garden City, Hertfordshire, SG6 1JY UNITED KINGDOM) は、本製品が以下のものであることを全責任において宣言します。

説明: **74290油圧空気圧ツール**

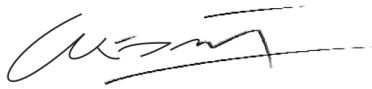
型式: **74290**

本宣言が本製品に関係するのは製品が以下の指定規格に準拠しているためです。

ISO 12100:2010	EN ISO 3744:2010
EN ISO 11202:2010	EN ISO 11148-1:2011
EN ISO 4413:2010	BS EN 28662-1:1993
EN ISO 4414:2010	EN ISO 20643:2008+A1:2012
EN ISO 28927-5:2009+A1:2015	ES100118-rev 17:2017

技術文書は、機械の供給 (安全) 規制 2008、S.I. 2008/1597 (修正済み) に従って編集されています。

署名者は、STANLEY Engineered Fasteningを代表してこの宣言を行います



A. K. Seewraj

エンジニアリングディレクター、英国

Avdel UK Limited, Stanley House, Works Road, Letchworth Garden City, Hertfordshire, SG6 1JY UNITED KINGDOM

発行場所: **Letchworth Garden City, 英国**

発行年月日: **01-01-2021**



本機は以下の規格に適合しています
機械の供給 (安全) 規制 2008、
S.I. 2008/1597 (修正済み)

12. 投資の保護

Stanley® Engineered Fastening ブラインドリベットツール保証

STANLEY® Engineered Fasteningは、すべてのパワーツールが慎重に製造されており、1年間の通常の使用およびサービスの下では、材料および製造上の欠陥がないことを保証します。

本保証は、オリジナルな使用のみを目的としたツールの最初のご購入に対して適用します。

免責条項:

通常の摩耗および亀裂

定期的な保守、修理および通常の摩耗、亀裂による部品の交換は適用対象から除外されます。

不正使用 & 誤使用

物理的な損傷など、不適切な操作、保存、誤使用または不正使用、事故または不注意による欠陥または損傷は適用対象から除外されます。

未承認のサービスまたは改造

STANLEY® Engineered Fastening または承認されたサービスセンター以外の者によって行われた保守、テスト調整、取付け、保守、変更または改造による欠陥または損傷は、いかなる方法によるものであっても適用対象から除外されます。

その他すべての保証は、表記されたものまたは暗示されたものであっても、市場性または目的適合性のいかなる保証も含めてここに除外されます。

もし本機が保証を満たさない場合は、速やかに本機を工場が承認した最寄りのサービスセンターに返送してください。米国およびカナダのSTANLEY® Engineered Fastening Authorized Service Centresのリストについては、フリーダイヤル (877) 364 2781までお問い合わせください。

米国およびカナダ以外の地域については、当社のウェブサイトwww.StanleyEngineeredFastening.comを見て、最寄りのSTANLEY締付け工具の店の位置を探してください。

STANLEY Engineered Fastening は、欠陥のある材料または製造品により不良となったと当社が認めた部品またはいくつかの部品についてはどんなものでも無料で交換し、先払いで本機を返送します。このことは本保証の下での当社の唯一の義務であることを示しています。

本機の購入または使用以外のところで発生する重大なまたは特別な損傷に対して、STANLEY Engineered Fastening は何らの責任を負うものではありません。

ブラインドドリベットナット ツール のオンライン登録

<https://www.stanleyengineeredfastening.com/support/warranty-registration-form>からオンライン保証登録を行ってください。

STANLEY® Engineered FasteningのStanley Assembly Technologiesブランド ツールをお選び頂きありがとうございます。

©2021 Stanley Black & Decker inc.

版权所有。本手册仅为英文版的中文译本，仅供参考，最终以英文版为准。

未经史丹利工程紧固系统公司（史丹利百得旗下子公司）的事先明确书面允许，禁止以任何方式以及通过任何电子或机械手段复制和/或公开所提供的信息。本手册提供的信息基于本产品推出时所了解的资料。史丹利工程紧固系统公司致力于不断改进产品，因此公司产品可能随时发生变更。本手册中所提供的信息适用于史丹利工程紧固系统公司交付的产品。因此，史丹利工程紧固系统公司不会对由于与产品出厂技术参数偏差而产生的任何损坏承担责任。

可利用的信息经过精心编辑。但是，史丹利工程紧固系统公司不会对信息错误或因此导致的结果承担任何责任。史丹利工程紧固系统公司不会对由于第三方的行为而导致的损坏承担任何责任。根据注册商标保护法的规定，史丹利工程紧固系统公司使用的机构名称、商标名称、注册商标等资产均不可视为免费。

本英文说明书翻译成以下语言。可根据要求，提供请求的说明书。

目录

1. 安全说明	48
1.1 通用安全规定	48
1.2 抛射危害	48
1.3 操作危害	48
1.4 重复性运动危害	49
1.5 附件危害	49
1.6 工作场所危害	49
1.7 噪音危害	49
1.8 振动危害	49
1.9 气动工具附加安全说明	49
2. 规格	50
2.1 用途	50
2.2 拉帽枪技术参数	50
2.3 工具尺寸	51
3. 投入使用	52
3.1 准备工作	52
3.2 气源	52
3.3 工具配置	53
3.4 工作原理	53
3.5 操作程序	53
4. 枪嘴组件	54
4.1 安装说明	54
4.2 维修说明	54
4.3 74290 枪嘴组件	54
5. 拉帽枪维护	56
5.1 日常维护	56
5.2 每周维护	56
5.3 维护套件	56
6. 维护	57
6.1 扳机单元	57
6.2 垂直扳机单元 (43 至 48)	57
6.3 气动活塞单元	57
6.4 液压活塞单元	57
6.5 活塞杆冲压单元	57
6.6 MOLYKOTE 55M 润滑脂	58
6.7 环保	58
7. 常规组装	59
7.1 主枪 74290 基本组件	59
7.2 常规组装部件清单 74290	60
8. 填料	61
8.1 润滑油详情	61
8.2 HYSPIN®VG 32 润滑油安全数据	61
8.3 填料步骤	61
8.4 加油	61
9. 故障诊断	62
10. 欧盟符合性声明	63
11. 英国符合性声明	64
12. 保护你的投资!	65



安装或操作该拉帽枪的人员必须仔细阅读该《使用手册》，尤其特别注意遵循以下安全说明。



在操作工具期间，请始终佩戴防冲击护目镜。每次使用都应评估所需的防护等级。



根据员工指示以及职业健康与安全法规的要求使用听力保护装置。



使用此工具可能会使操作员的手遭受挤压、撞击、割伤、擦伤和高温等危险。佩戴合适的手套以保护手。

1. 安全说明

以下定义对每种警示词的严重等级进行了描述。请阅读本手册，并注意以下标志。

▲ 危险：表示紧急的危险情况。若不避免，可能会导致人员死亡或严重受伤。

▲ 警告：表示可能的危险情况。若不避免，可能会导致人员死亡或严重受伤。

▲ 注意：表示可能的危险情况。若不避免，可能会导致人员轻度或中度受伤。

▲ 注意：无安全警示标志，表示潜在的危险情况。若不避免，可能会导致财产损失。

对本产品操作或维护不当可能会导致人员严重受伤或者财产损失。在使用本设备之前，阅读并理解所有的警示和操作说明。在使用强力工具时，务必遵循基本的安全注意事项，以降低人员受伤的风险。

保存所有警告和说明供未来参考

1.1 通用安全规定

- 对于多种危险，请在安装、操作、维修、保养、更换配件或在该工具附近作业之前，阅读并理解安全说明。未做到这一点可能会导致严重的身体伤害。
- 只有具备资格并经过培训的操作人员才能安装、整或使用拉帽枪。
- 请勿超出史丹利工程紧固系统公司规定的设计用途。
- 仅可使用制造商推荐的部件、紧固件和配件。
- 切勿对拉帽枪进行改装。修改会降低安全措施的有效性，并增加操作员的风险。对于由客户对拉帽枪进行的任何改装所导致的后果，客户完全承担责任，所有适用的保修均无效。
- 不要丢弃安全说明，将它们交给使用方。
- 如果损毁请勿使用拉帽枪。
- 在使用之前，检查转动部件是否存在失调或者是否固定妥当、部件是否损坏以及可能影响拉帽枪使用的任何其他状况。若有损坏，在使用之前对拉帽枪进行维修。在使用之前，移除所有的调节键或扳手。
- 应当定期检查工具，以确保在工具上清楚地标出了ISO 11148 要求的额定值和标记。必要时，雇主/用户应联系制造商以获得更换标记标签。
- 该拉帽枪必须始终由经过培训的人员在安全的工作状况下进行维护以及定期对损坏状况进行检查。所有的拆卸工作必须只能由经过培训的人员进行。切勿未事先参照维护说明的情况下拆卸本工具。

1.2 抛射危害

- 在进行维护、尝试调整、匹配或移除枪嘴装置或附件之前，断开拉帽枪的供气。
- 请注意，工件或附件甚至插入的工具本身的故障都可能产生高速弹射。
- 在操作工具期间，请始终佩戴防冲击护目镜。每次使用都应评估所需的防护等级。
- 此时也应评估对他人的风险。
- 确保工件牢固固定。
- 警告不要强行从工具正面弹出碎片。
- 切勿操作正对着人员的工具。

1.3 操作危害

- 使用此工具可能会使操作员的手遭受挤压、撞击、割伤、擦伤和高温等危险。佩戴合适的手套以保护手。
- 操作人员和维护人员应能够在身体上处理工具的主体、重量和动力。
- 正确握住工具，准备承受正常或突然的运动，并准备好双手。
- 保持拉帽枪的手柄干燥、清洁，无油污或油脂。
- 操作拉帽枪时应保持身体平衡、双脚站稳。
- 空气中断时，松开起停装置。
- 仅使用制造商推荐的润滑剂。
- 避免接触液压油。为了尽量降低皮疹几率，可在接触时彻底冲洗。
- 所有液压油和润滑剂的物料安全数据表，可向拉帽枪供应商索取。
- 避免不合适的姿势，因为这些姿势可能无法承受工具的正常或意外运动。

- 如果拉帽枪固定在悬挂装置上，请确保固定牢固。
- 如果未安装枪嘴装置，请当心挤压或夹伤危险。
- 切勿在枪嘴罩拿开的情况下操作拉帽枪。
- 在开始操作之前，需要与操作人员之间保持足够的间隙。
- 在将拉帽枪从一处携带至另外一处时，将手置于远离触发器的位置，避免意外触发。
- 切勿随意将拉帽枪掉落或用作锤子。

1.4 重复性运动危害

- 使用工具时，操作员可能会感到手、手臂、肩膀、脖子或身体其他部位不适。
- 使用工具时，操作员应采取舒适的姿势，同时保持双足稳定，并避免尴尬或不平衡的姿势。作业任务较长时，操作员应变换姿势，有助于避免不适合疲劳。
- 如果操作员感觉到持续或反复出现不适、疼痛、脉动、疼痛、刺痛、麻木、灼热感或僵硬等症状，则不应忽略这些警告信号。使用方应告知员工并咨询具备资质的健康专业人士。

1.5 附件危害

- 安装或卸下枪嘴组件或附件之前，先将工具从气源上断开。
- 只能使用制造商推荐规格和型号的附件与耗材，不得使用其它类型或规格的附件或耗材。

1.6 工作场所危害

- 滑倒，绊倒和跌倒是造成工作场所伤害的主要原因。请注意因使用工具而导致的光滑表面，以及因空气管线或液压软管而引起的绊倒危险。
- 在陌生环境中请小心处理。可能存在隐患，例如电力或其他公用设施线。
- 该工具不适用于有爆炸危险的环境，而且不能与电源绝缘。
- 确保电缆、煤气管等没有损毁，否则会在使用时产生危险。
- 穿戴妥当。切勿穿着宽松的衣服或佩戴首饰。将头发、衣服和手套整理妥当，远离转动部件。宽松的衣服、首饰或者长头发可能会被卷进转动部件中。

1.7 噪音危害

- 暴露于高噪声水平可能会导致永久性失聪和其他问题，例如耳鸣（嗡嗡声、蜂鸣声、吹口哨声）。因此，风险评估和对这些危害采取适当的控制措施至关重要。
- 降低风险的适当控制措施可能包括采取诸如阻尼材料之类的措施，以防止工件“嗡嗡作响”。
- 根据员工指示以及职业健康与安全法规的要求使用听力保护装置。
- 按照说明手册中的建议选择、维护和更换耗材/插入式工具，防止不必要的噪音增大。

1.8 振动危害

- 置于于振动环境会导致对手和手臂的神经和供血造成严重的损害。
- 在寒冷条件下工作时，请穿保暖服，并保持手部暖和干燥。
- 如果手指或手掌麻木、刺痛、疼痛或皮肤变白，请停止使用工具，告诉雇主并咨询医生。
- 尽可能在支架、张紧器或平衡器中支撑工具的重量，因为可以使用较轻的手柄来支撑工具。
- 按照说明手册中的建议操作和维护电动工具，以防止不必要的振动水平增加。
- 按照说明手册中的建议选择、维护和更换耗材/插入式工具，防止不必要的振动增大。
- 考虑到所需的手反作用力，轻轻安全地握住工具，因为当抓附力较高时，振动风险通常更大。

1.9 气动工具附加安全说明

- 工作气源压力不可超过7巴 (102 PSI)。
- 压力空气可能造成重伤。
- 切勿将拉帽枪置于无人看管的状态。不使用拉帽枪时，更换配件之前或进行维修时，请断开空气软管。
- 切勿对自己或任何人直接吹气。
- 接出管可能造成重伤。务必检查软管和配件是否损坏或松动。
- 在使用之前，检查空气管线是否有破损、所有的连接是否牢固。切勿将重物掉落在空气软管上。尖锐的碰撞可能会导致内部损坏，从而引起空气软管过早毁损。
- 冷空气应远离双手。
- 无论何时使用通用扭力联轴器（爪形联轴器），均应安装锁定销，并应使用鞭打式安全电缆来防止可能的软管与工具或软管与软管的连接故障。
- 切勿通过空气软管提起拉帽枪。（操作或移动拉帽枪时）务必始终紧握手柄。
- 排气孔不可堵塞或遮盖。
- 避免灰尘或异物进入拉帽枪的液压系统，以免导致拉帽枪发生故障。

2. 规格

2.1 用途

74290 工具设计用于将圆孔转换为六角形孔。六角形孔通过钻头制成。随后将配有冲头和基准模具插入至孔眼中，工具在孔中去除其它材料，以制成安装螺纹六角嵌件的六角孔。

通过这种方式，可以轻松快速安装螺纹嵌件，由于六角形轮廓，可以保证接头的旋转，相比圆螺纹嵌件或其他竞争装置（螺母、焊接螺母等），生产工艺和提供的性能方面具有明显的优势。

使用此螺纹嵌件工具能够扩大箱式设计件、小批量生产和原位应用的范围（目前为止仅限于使用预冲孔板）。

有关更多与材料类型和厚度相关的孔准备详细信息，请参见第56页。

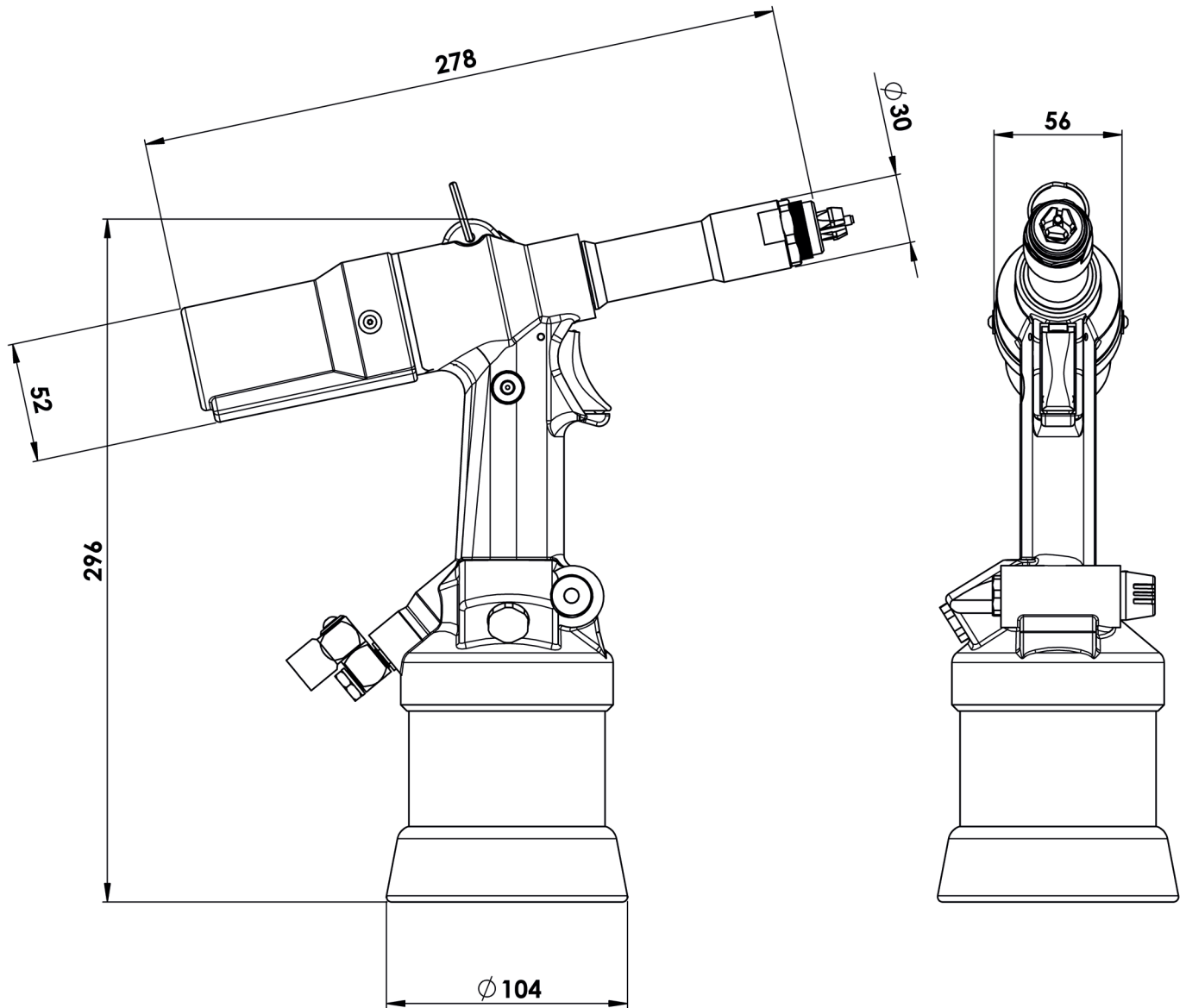
请勿在潮湿环境下或有可燃液体或气体的条件下使用。

2.2 拉帽枪技术参数

空气压力	最小值 - 最大值	5-7 bar (75-100 lbf/in ²)
所需自由空气量	@ 5 bar/75 lbf/in ²	8 l (0.28 ft ³)
冲程	最大值	6.5 mm (0.256 in)
拉力	@ 5.5 bar/ 2400 kgf	23.5 kN (5290 lbf)
重量	不含枪嘴装置	2.2 kg (4.85 lb)

噪声值根据噪声测试标准 ISO 15744 和 ISO 3744 进行。		74290
A 加权声功率级, L_{WA}	不确定噪声 : $k_{WA} = 3.0$ dB(A)	89.4 dB(A)
工作场所 A 加权声压等级 dB(A)、 L_{pA}	不确定噪声 : $k_{pA} = 3.0$ dB(A)	87.4 dB(A)
C 加权声压等级 dB(C), L_{pC} , 峰值	不确定噪声 : $k_{pC} = 3.0$ dB(C)	89.8 dB(C)
振动值根据振动测试规定 ISO 20643 和 ISO 5349 确定。		74290
振动发射级别, a_{hd} :	不确定的振动 : $k = 0.94$ m/s ²	2.36 m/s ²
声明的振动发射值符合 EN 12096		

2.3 工具尺寸



粗体显示的尺寸以毫米为单位。

3. 投入使用

重要提示 - 在使用拉帽枪之前，请仔细阅读第48 - 49 页内的安全说明。

- 选择相应尺寸的枪嘴装置，然后安装。
- 将拉帽枪与气源连接。通过按压和释放触发器**40**，测试拉铆和返回操作。
- 设置合适的拉帽枪行程/压力。

⚠ 注意：正确的气源压力对于拉帽枪的正常使用至关重要。当压力不合适时，可能会导致人员受伤或拉帽枪损坏。气源压力不可超出拉帽枪技术参数中所列的数值。

3.1 准备工作

每天在使用工具之前，执行“润滑”一节中所述操作。

将工具连接到气源前，通过进给管吹压缩空气，以消除任何冷凝水或异物的痕迹。

润滑：连接气管前，将少许轻质液压油倒入进口接头中

3.2 气源

所有的拉帽枪均采用最低 5 和 7 巴的最佳压力的压缩空气。建议在主气源上使用压力调节器和自动注入/过滤系统。为确保工具的最大使用寿命和最小维护量，应在工具的 3 米范围内进行安装（参见下图）。

空气供应软管的最低工作有效压力等级应为系统中产生的最大压力的 150% 或 10 巴（两者取较高值）。空气软管须耐油，外部耐磨；在软管可能受损的情况下，加装保护层。所有空气软管的孔径最小为 6.4 毫米或 1/4 英寸。

建议以制成所需孔眼的最低压力运行工具，以消耗最少的空气并保证最长的使用寿命。

请阅读第 56 页上的每日服务详情。

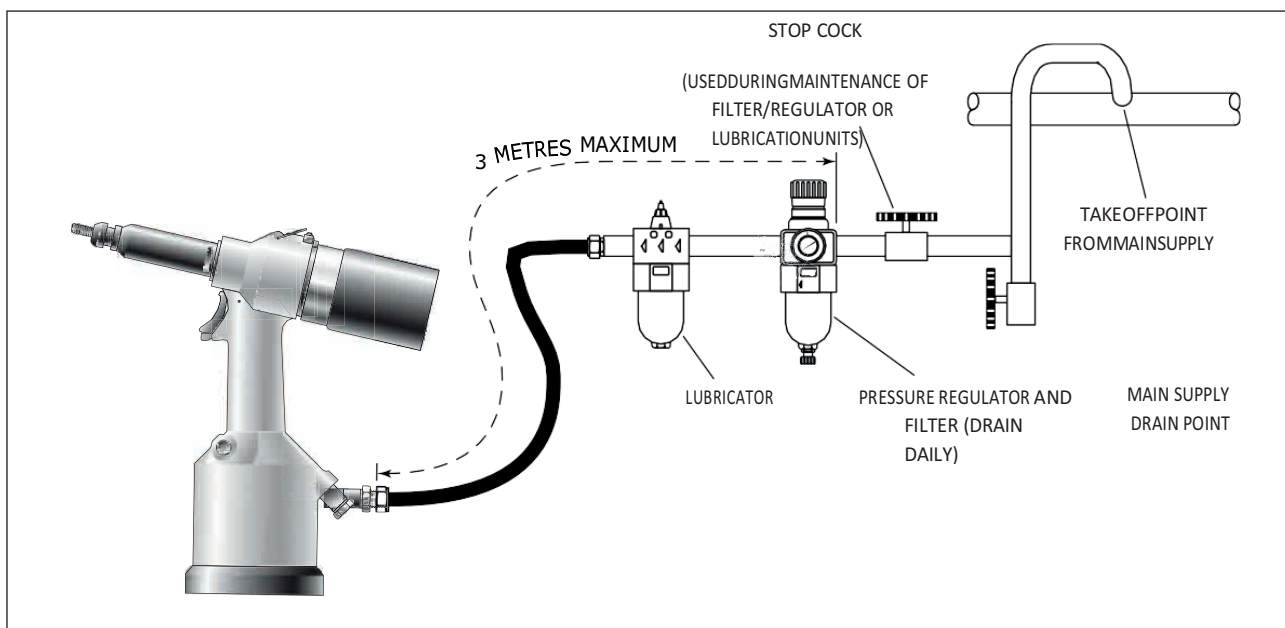


Fig. 2

3.3 工具配置

工具能够冲出设计用于使用 M4、M5、M6、M8、M10 公制螺纹六角形嵌件。
根据要制成的孔，可以在相关零件编号下订购相应的设备（参见第56页上的表格）。

3.4 工作原理

将提供的工具及相应的设备与气源相连（请参阅与要冲孔的材料相关的推荐气压表）。



图 1 圆孔工件。

图 2 将固定在 74290 工具上的冲头插入先前钻出的圆孔中。

图 3 按下扳机。通过这种方式，导杆 24 进给，冲压刀片伸到到孔壁上，现在冲头就绪进行冲压。

图 4 随后冲头去除多余的板材，以冲出适合放置六角形嵌件的六角形孔。

此阶段结束时，冲头从孔中缩回并清除冲屑。通常，碎屑通过冲孔效果和冲头返回到后部位置排出。碎屑将被排出而不会堵塞冲头。

图 5 带有由 74290 刀具冲压的六角形孔的工件现已就绪安装螺纹嵌件。

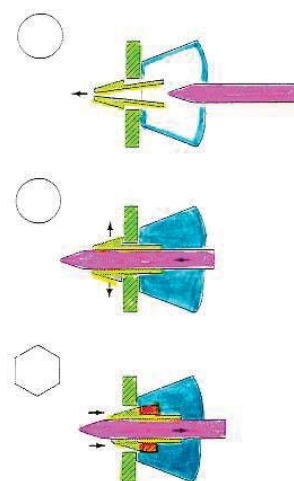
- 确保冲头上没有碎屑。
- 工具现在已准备好进入新的操作阶段。

将圆孔变为用于使用 Hexsert® 螺纹嵌件 M4 - M10 的六角形孔。 工件厚度范围（各冲孔设备需另行订购）：

铝	M4, M10:	0.5 - 2.5 mm
	M5 - M8:	0.5 - 4.5 mm
钢	M4:	0.5 - 1.5 mm
	M5 - M10:	0.5 - 3.0 mm
不锈钢	M4 - M10:	0.5 - 1.5 mm

3.5 操作程序

- 将安装在 74290 工具上的冲头放入至圆孔中。
- 完全按下 74290 工具的扳机。活塞将冲头伸出并自动对板材进行冲孔。通过这样冲出一只六角形孔。现在可使用 74200 和 74202 型 STANLEY Engineered Fastening 工具插入螺纹六角形嵌件。



4. 枪嘴组件

运行工具前，确保安装了正确的枪嘴。通过了解要放置的紧固件的详细信息，能够使用第 56 页上的选择表订购新的全套枪嘴组件。

4.1 安装说明

▲ 注意：除非另有特别说明，否则在安装或拆卸枪嘴组件时，必须断开空气供应。

安装程序非常简单，如下所述：

粗体项号参见下面的图示，第59页：

- 将工具与气源断开。
- 如果安装在工具上，拧下外壳 **4** 和连接套 **5**。
- 将冲头 **1** 放置在突出于接头 **6** 的杆 **24** 上，然后使用 17 mm 扳手拧紧部件 **6** 和 **5**。
- 重新装上外壳 **4**。
- 首先将模具 **2** 拧在锁紧螺母 **3** 上，然后拧紧在外壳**4**上。
- 根据冲头 **1**，用于六边形冲孔的材料厚度，使用锁紧螺母锁住模具。然后使用螺母扳手装上锁紧螺母。

4.2 维修说明

应每周对枪嘴装置进行一次维护。

- 采用与装配手册相反的顺序，拆卸整套枪嘴装置。
- 所有已磨损或损坏的部件须采用新部件进行更换。
- 特别注意检查冲头的磨损情况。
- 根据装配手册的说明进行组装。

4.3 74290 枪嘴组件

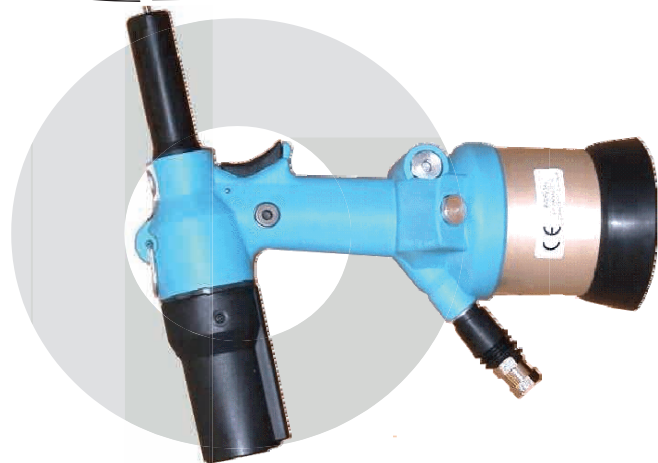
枪嘴尖头的形状嵌件类型而异。各枪嘴组件代表唯一的组件，可单独订购。组件编号参见第 59 页上的图示。建议储备，因为需要定期更换。

THIS COMPLETE EQUIPMENT - complete equipment		Punch	Adapter	Matrix	Thickness/grip ø Forum/hole	indicative across flats	kit adapter
ALUMINIO - aluminum	M4	74290-09571	74290-09102	74290-09211	0,5 à 2,5	6,2 à 6,3	no
	M5	74290-99641	74290-09102	74290-09221	0,5 à 4,5	7,2 à 7,3	no
	M6	74290-00006	74290-09102	74290-09231	0,5 à 4,5	9,3 à 9,4	no
	M8	74290-00008	74290-09102	74290-09241	0,5 à 4,5	11,3 à 11,5	no
	M10	74290-00010(2)	74290-07000	74290-09251	0,5 à 2,5	13,4 à 13,6	7429000010kit.
<i>The equipment described below is compatible with aluminum, but we do not recommend use on this material. They need a thorough cleaning for every work cycle (forming hexagon)</i>							
ACCAIO - steel	M4	74290-00014(1)	74290-09102	74290-06211	0,5 à 2,5	6,2 à 6,3	74290x07555
	M5	74290-00015	74290-09102	74290-06221	0,5 à 4,5	7,2 à 7,3	no
	M6	74290-00016	74290-09102	74290-06231	0,5 à 4,5	9,3 à 9,4	no
	M8	74290-00018	74290-09102	74290-06241	0,5 à 4,5	11,3 à 11,5	no
	M10	74290-00020(2)	74290-07000	74290-06251	0,5 à 2,5	13,4 à 13,6	7429000010kit.
INOX - stainless	M4	74290-00014(1)	74290-09102	74290-06211	0,5 à 1,5	6,2 à 6,3	74290x07555
	M5	74290-00015	74290-09102	74290-06221	0,5 à 3,0	7,2 à 7,3	no
	M6	74290-00016	74290-09102	74290-06231	0,5 à 3,0	9,3 à 9,4	no
	M8	74290-00018	74290-09102	74290-06241	0,5 à 3,0	11,3 à 11,5	no
	M10	74290-00020(2)	74290-07000	74290-06251	0,5 à 3,0	13,4 à 13,6	7429000010kit.

(1) Adapter kit is required 74290X07555

(2) Adapter kit is required

rev. 01/2011



5. 拉帽枪维护

由经过培训的人员对拉帽枪进行定期维护，每年或每使用500,000万次（先到者为准）进行一次全面检查。

- ▲ 注意：禁止使用溶剂或其他刺激性化学品清洁工具的非金属部件。这些化学品可能会降低这些部件中所使用材质的性能。
- ▲ 注意：维护之前，清除由于工作过程而积累的所有危险物质。
- ▲ 注意：雇主负责确保向适当的人员提供工具维护说明。
- ▲ 注意：除非经过适当培训，否则操作员不应参与工具的维护或维修。
- ▲ 注意：定期检查工具，以防止损毁和故障。
- ▲ 注意：阅读第48至49页上的安全说明。

5.1 日常维护

- 使用之前或第一次将拉帽枪投入使用时，若气源上未装配注油器，每日将几滴清洁的轻质润滑油倒进拉帽枪的进气口。若连续使用拉帽枪，每两到三个小时，需要将空气软管从主气源上断开一次，对拉帽枪进行润滑。
- 检查是否存在空气泄漏。如果损毁，立即使用新件更换软管和连接器。
- 如果压力调节器上无过滤器，在将空气管线连接到拉帽枪之前，将空气管线放空，清除累积的灰尘或水。
- 检查枪嘴安装是否正确。
- 检查拉帽枪的冲程是否正确。
- 检查枪嘴装置的冲头是否有磨损或损坏。如有，更换。

5.2 每周维护

- 检查空气软管和管件上是否存在润滑油泄漏和/或空气泄漏。

5.3 维护套件

对于所有维护，我们建议使用下面的维护套件（部件编号 74290-03000）工具：

维护工具			
说明	部件	说明	部件
扳手 32 mm	适用于部件号 18	内六角扳手 5 mm	适用于部件号 35
扳手 20 mm (全套装备部件)	适用于部件号 7	内六角扳手 2 mm	适用于部件号 33
软夹虎钳	适用于部件号 37	扳手 12 mm	适用于部件号 75
平口钳	适用于部件号 12	钩设备	适用于部件号 83, 28
扳手 10 mm	适用于部件号 73	扳手 17 mm	适用于部件号 31
管套筒扳手 25 mm	适用于部件号 62	扳手 22 mm	适用于部件号 4
内六角扳手 12 mm	适用于部件号 64	销冲头	适用于部件号 38

6. 维护

每 500,000 个循环，应完全拆除工具，并在磨损、损坏或建议时更换组件。所有 O 形圈和密封件应在组装前更换为新 O 形圈和密封件，并用 Molykote 55M 润滑脂润滑。

▲ 警告：阅读第48至49页上的安全说明。

▲ 警告：雇主负责确保向适当的人员提供工具维护说明。

▲ 警告：除非经过适当培训，否则操作员不应参与工具的维护或维修。

▲ 警告：定期检查工具，以防止损毁和故障。

维护或拆卸前，必须拆下气管，除非另有说明。

建议在洁净的环境中进行拆卸操作。

拆卸工具前，需要取下枪嘴组件。有关简单的取下说明参见枪嘴组件章节，第 54 页。

对于总体维护，建议按照下方显示的顺序拆卸子组件。

6.1 扳机单元

- 取下销钉 **38** 并抽回扳机单元 **39-40-41-42**。

6.2 垂直扳机单元 (43 至 48)

- 如果要拆卸此装置，必须拆下活塞组件。

6.3 气动活塞单元

- 拧下排油旋塞 **35** 并排出润滑油。
- 将工具倒放在钳口中。注意软钳口不要损坏枪体 **37**。
- 拧下 **2** 只螺母 **73** (扳手 10 mm)，抽出端塞锁 **75** 并注意活塞 **68** 由于弹簧 **65** 可能会剧烈弹出。
- 使用 **25 mm** 枪管扳手拧下导杆 **62**。如果是这种情况，垂直扳机单元 (**43 至 48**) 可通过按下杆 **43** 取出。
- 如果需要，将杆 **66** 如活塞 **68** 分离，但是注意必须通过将 **LOCTITE 222** 密封剂涂抹在螺栓 **76** 螺纹上使两个待组装的部件结合。

6.4 液压活塞单元

- 拧下外壳 **4**、连接套 **5** 和活塞接头 **6**。拧下 **2** 只螺丝 **33** 并抽出保护装置 **21**。拧下锁紧螺丝 **26** 并将管 **27** 移至气缸 **19** 中。
- 将活塞 **7** 从活塞杆冲压单元中取出。对此，将 **20 mm** 扳手插在活塞 **7** 后，将 **32** 扳手插在头 **18** 中，然后拧下。拧下螺丝 **17** 并取出限位止动器 **16** 和弹簧 **15**，然后拉出液压活塞。
- 如果要更换唇形密封 **83**，取下 Seeger 卡簧圈 **12**。

6.5 活塞杆冲压单元

- 将气缸放入至钳口中。
- 抽出弹簧 **25**。
- 使用 **32 mm** 扳手拧下头 **18**。
- 通过这种方式可取出部件 **24**、**23**、**22**。

▲ 注意：工具拆卸后和运行期间，务必进行填料。

6.6 MOLYKOTE 55M 润滑脂

润滑脂可以作为单个项目订购，部分编号参见服务套装页面56。

急救

皮肤：擦掉并使用肥皂水清洗。

吞食：通常不会出现不良反应。对症处理。

眼睛：具有刺激性但无害。用水冲洗并就医。

环境

在经过批准的场地上进行焚烧或处置。

火灾

闪点：101 °C

未归为易燃。

适用的灭火介质：二氧化碳泡沫、干粉或细水喷雾。

处理

佩戴塑料或橡胶手套。

储藏

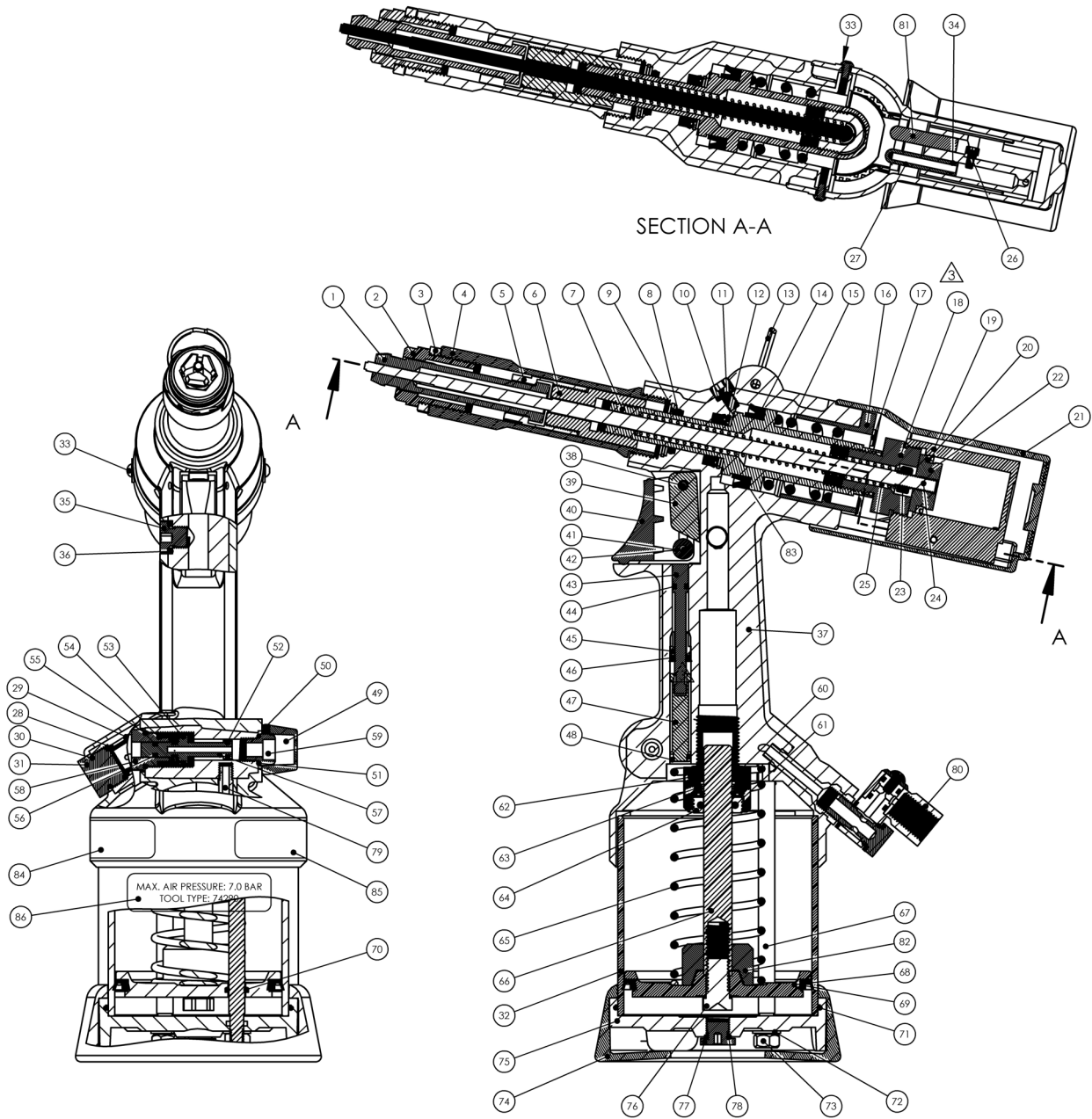
远离热和氧化剂

6.7 环保

确保符合适用的处置规定。将所有废品弃置于经批准的废品处理设施或场所，以免对人员和环境造成危害。

7. 常规组装

7.1 主枪 74290 基本组件



7.2 常规组装部件清单 74290

MKII 工具部件清单 - 74290-03000											
序号	部件编号	说明	零件数量 (英制, 可单独采购)	序号	部件编号	说明	零件数量 (英制, 可单独采购)	序号	部件编号	说明	零件数量 (英制, 可单独采购)
1	参见手册	冲头	1	31	74290-03012	端塞	1	61	07003-00134	O形圈	1
2	参见手册	模具	1	32	74290-03013	气缸套	1	62	74200-12015	导杆	1
3	参见手册	锁紧螺母	1	33	74290-03014	紧固螺丝 M3	2	63	74200-12014	垫圈	1
4	07555-00315	外壳	1	34	74200-12060	O形圈	2	64	74200-12013	螺母	1
5	74290-09102	连接套	1	35	07005-01274	排油旋塞	1	65	07555-00205	弹簧	1
6	07555-00314	活塞接头	1	36	74290-03015	螺丝垫圈	1	66	74290-03018	杆	1
7	74290-03001	活塞	1	37	74290-03016	枪体	1	67	74290-03019	拉杆	1
8	07003-00028	O形圈	1	38	74200-12026	销钉	1	68	74290-03020	气动活塞	2
9	74200-12099	垫圈	1	39	74200-12024	楔形推杆	1	69	74290-03021	唇形密封	1
10	74200-12049	排放垫圈	1	40	74200-12025	触发器	1	70	74290-03022	O形圈	2
11	07001-00329	排放旋塞	1	41	74200-12023	辊子	1	71	74290-03023	O形圈	1
12	07004-00033	Seeger 卡簧圈	2	42	74200-12022	销钉	1	72	74290-03024	垫圈	2
13	74290-03002	吊环	1	43	74200-12020	扳机杆	1	73	74290-03025	螺母	2
14	74200-12053	唇形密封	1	44	07003-00315	O形圈	1	74	74290-03026	橡胶座	1
15	07555-00317	弹簧	1	45	74200-12019	导向器	1	75	74290-03027	端塞锁	1
16	74290-03003	限位止动器	1	46	74200-12018	唇形密封	1	76	74290-03028	螺栓	1
17	74290-03004	螺丝 M4	4	47	74290-03017	阀塞	1	77	74200-12103	塞子	1
18	07555-00320	导杆气缸头	1	48	07003-00027	O形圈	1	78	07003-00029	O形圈	4
19	74290-03005	导杆气缸	1	49	74200-12302	偏转器	1	79	74290-03029	进气管	1
20	07555-00324	密封杆气缸	1	50	74200-12301	紧定螺丝	1	80	74200-12700	气源接头	1
21	74290-03006	保护装置	1	51	74200-12033	垫圈 1/8	1	81	74290-03033	防自转塞	1
22	07555-00323	推杆活塞	1	52	07003-00046	O形圈	1	82	74290-03032	冲程止动器	1
23	07265-03206	螺母	1	53	07003-00026	O形圈	1	83	07265-02004	唇形密封	1
24	74290-03007	推杆	1	54	74200-12104	弹簧	1	84	07007-01526	CE 和 UKCA 标签	1
25	07555-00321	弹簧	1	55	07003-00086	O形圈	1	85	73200-02022	安全标签	1
26	74290-03008	管锁紧螺钉 M3	1	56	07003-00040	O形圈	1	86	07007-02221	74290 标签	1
27	74290-03009	Delrin 管	1	57	74200-12028	阀门活塞	1				
28	74290-03010	减速器	1	58	74200-12027	螺母	1				
29	74290-03011	O形圈	2	59	74200-12034	消音器	1				
30	74200-12029	O形圈	1	60	07003-00100	O形圈	1				

8. 填料

工具拆卸后和运行期间，务必进行填料。冲程减低且按一下扳机时紧固件未完全放置，需要在大量使用后恢复全冲程。

8.1 润滑油详情

建议的底油为 0.5l 装 (部件号 07992-00002) 或一加仑装 (07992-00006) Hyspin® VG32。请参阅下面的安全数据。

8.2 HYSPIN®VG 32 润滑油安全数据

急救

皮肤：

尽快用肥皂和水彻底清洗。偶然接触不需要立即处理。短暂接触不需要立即处理。

吞食：

立即就医。请勿催吐。

眼睛：

立即用水冲洗几分钟。虽然不是主要刺激物，但接触后可能会有轻微的刺激。

火灾

闪点 232°C。未归为易燃。

适用的灭火介质：二氧化碳、干粉、泡沫或水雾。请勿使用喷水器。

环境

废物处理：由经过授权的承包商送至经过许可的场地。可焚烧。废旧产品可寄送进行回收利用。溢出：防止进入排水沟、下水道和河道。使用吸纳材料吸收。

处理

佩戴护眼装置、防透手套 (例如 PVC) 和塑料围裙。请在通风良好的区域使用。

储藏

无需特殊预防措施

8.3 填料步骤

- ⚠ 注意：确保油完全清洁，没有气泡。
- ⚠ 注意：整个填料期间工具必须在一边。
- ⚠ 注意：所有操作应使用干净的双手在洁净区域的干净工作台上进行。
- ⚠ 注意：必须时刻小心，确保无任何异物进入工具，或可能导致严重损坏。

8.4 加油

- 将工具置于水平位置。
- 使用 5 mm 内六角扳手拧下排油旋塞 **35**。
- 将建议的润滑油倒入至运行活塞杆的腔室中。
- 确保螺丝垫圈 **36** 位于正确位置。
- 使用内六角扳手再次适度拧上排油旋塞 **35**。
- 现在将工具排空。为确保消除所有气泡，需要此操作。
- 确保排放旋塞 **11** 紧闭，使用内六角扳手转动一圈拧下，然后将工具连至起源并按下扳机。
- 等待至排放旋塞 **11** 周围出现润滑油，然后重新拧紧。清理多余的油剂。
- 松开扳机。
- 使用内六角扳手打开排油旋塞 **35**。
- 补充填料油至重置水平。更换螺丝垫圈 **36** 并使排油旋塞 **35** 就位并密闭。
- 操作工具之前，必须安装合适的枪嘴尖并调整工具冲程。

9. 故障诊断

现象	可能的原因	措施
管接头 27 漏气。	O 形圈损坏	更换
冲杆无法正确将冲头伸到孔中	尾部夹头关闭。	开启尾部夹头
冲杆不进给 / 返回	杆和冲头之间存在碎片材料	根据需要拆开设备 (头) 并清洁, 包括冲头
六角座过小	冲头磨损、杆径变小	更换, 目检直径是否小于 3.95mm
工具无法冲出孔座	冲头磨损, 冲程过小	更换 通过打开排油旋塞 35 目检油位。需要加满规定的油剂。
气动返回弹簧 65 断裂或应力过度	更换	如可使用较低气压运行
漏油	正面: 唇形密封件 83 磨损或存在划痕或液压活塞杆存在划痕。 背面: 垫圈 14 磨损或存在划痕或内缸表面存在划痕。 下部: 垫圈 63 磨损或气动活塞存在划痕。	更换磨损或损毁的部件以恢复密封性。 补充润滑油。
漏气	扳机位置: 检查 O 形圈 44 进气口: 检查唇形密封 69 的磨损状态。 气管接头 27: 检查管是否正确安装并检查 O 形圈 34 的磨损状态。	如有磨损请更换

10. 欧盟符合性声明

本公司 **Stanley Engineered Fastening, Stanley House, Works Road, Letchworth Garden City, Hertfordshire, SG6 1JY UNITED KINGDOM**, 兹郑重说明, 产品:

说明: **74290 液压气动工具**

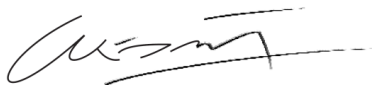
型号: **74290**

符合以下兼容标准:

ISO 12100:2010	EN ISO 3744:2010
EN ISO 11202:2010	EN ISO 11148-1:2011
EN ISO 4413:2010	BS EN 28662-1:1993
EN ISO 4414:2010	EN ISO 20643:2008+A1:2012
EN ISO 28927-5:2009+A1:2015	ES100118-rev 17:2017

技术文件根据附件 VII 汇编, 符合以下指令: **2006/42/EC** 机械指令 (《法规汇编 2008》第1597条 - 机械供应 (安全) 条例规定参考)。

签名人代表 STANLEY Engineered Fastening



A. K. Seewraj

工程部总监 (英国)

Avdel UK Limited (地址: Stanley House, Works Road, Letchworth Garden City, Hertfordshire, SG6 1JY UNITED KINGDOM)

发布地点: **Letchworth Garden City, 英国**

签署日期: **01-01-2021**

签字人负责汇编在欧盟出售的产品的技术文件, 并代表 Stanley Engineered Fastening 进行此声明。

Matthias Appel

技术文档团队领导

Stanley Engineered Fastening, Tucker GmbH, Max-Eyth-Str.1, 35394 Gießen, 德国



本机符合
机械指令 **2006/42/EC**

11. 英国符合性声明

本公司 **Stanley Engineered Fastening, Stanley House, Works Road, Letchworth Garden City, Hertfordshire, SG6 1JY UNITED KINGDOM**, 兹郑重说明, 产品:

说明: **74290 液压气动工具**

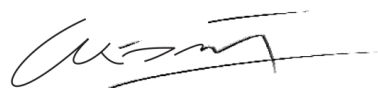
型号: **74290**

符合以下指定标准:

ISO 12100:2010	EN ISO 3744:2010
EN ISO 11202:2010	EN ISO 11148-1:2011
EN ISO 4413:2010	BS EN 28662-1:1993
EN ISO 4414:2010	EN ISO 20643:2008+A1:2012
EN ISO 28927-5:2009+A1:2015	ES100118-rev 17:2017

技术文档是根据《2008年机械供应(安全)条例》(S.I. 2008/1597)(修订)编制。

签名人代表 STANLEY Engineered Fastening



A. K. Seewraj

工程部总监(英国)

Avdel UK Limited (地址: Stanley House, Works Road, Letchworth Garden City, Hertfordshire, SG6 1JY UNITED KINGDOM)

发布地点: **Letchworth Garden City, 英国**

签署日期: **01-01-2021**



本机符合
机械供应(安全)条例规定 2008,
(S.I. 2008/1597)(修订)。

12. 保护你的投资！

Stanley® Engineered Fastening 拉铆枪保修

STANLEY® Engineered Fastening 在此保证：所有拉帽枪均已经过精心制造，在材质和工艺方面均无缺陷，正常使用情况下提供壹(1)年保修。

该保修仅适用于拉帽枪首次购买者按设计用途使用的情况。

例外情况：

正常磨损

由于正常磨损而进行的定期维护、维修和更换部件不在保修范围之内。

滥用和误用。

由于操作和/或存储不当、误用或滥用、事故或疏忽导致的缺陷或损坏不在保修范围之内。

未授权服务或改装。

由 STANLEY® Engineered Fastening 之外的其他人员或其授权的维修中心以任何方式进行的维修、测试调整、安装、维护、变更或改装而产生的缺陷或损坏不在保修范围之内。

所有其他明示或暗示保修，包括适销性或用途匹配性方面的保修，不包括在本保修范围之内。

若该拉帽枪不符合保修规定，请立即将其返回离您最近的我公司授权维修中心。若要了解美国或加拿大境内的 STANLEY® Engineered Fastening 授权维修中心情况，请拨打我们的免费电话(877)364 2781，与我们联系。

对于美国和加拿大境外的史丹利工程紧固系统公司分支机构，请访问我们的网站

www.StanleyEngineeredFastening.com，了解离您最近的分支机构情况。

史丹利工程紧固系统公司将免费更换我们发现的由于故障材质或制造原因而产生缺陷的任何部件，然后采用运费预付的方式将产品返回给客户。这表示我公司完全承担本保修项下的责任。

对于超出本拉帽枪适用范围所导致的任何间接或特殊损坏，我司概不负责。

在线登记您的拉帽枪。

若要在线登记您的产品保修，请访问我们的网站：

<https://www.stanleyengineeredfastening.com/support/warranty-registration-form>。

感谢您选择 STANLEY® Engineered Fastening 的 STANLEY Assembly Technologies 品牌工具。

STANLEY
Engineered Fastening

STANLEY Engineered Fastening

STANLEY House, Works Road
Letchworth Garden City
Hertfordshire, United Kingdom
SG6 1JY
Tel: +44 1582 900 000
Fax: +44 1582 900 001



Holding your world together®

Find your closest STANLEY Engineered Fastening location on
www.stanleyEngineeredFastening.com/contact
For an authorized distributor nearby please check
www.stanleyEngineeredFastening.com/econtact/distributors

Manual Number	Issue	C/N
07900-01076_AP	A	21/092

STANLEY
Assembly Technologies

Stanley Engineered Fastening — a division of Stanley Black and Decker — is the global leader in precision fastening and assembly solutions. Our industry-leading brands, Avdel®, Integra™, Nelson®, Optia™, POP®, Stanley® Assembly Technologies, and Tucker®, elevate what our customers create. Backed by a team of passionate and responsive problem-solvers, we empower engineers who are changing the world.

STANLEY ENGINEERED FASTENING FAMILY OF BRANDS

AVDEL

INTEGRA

NELSON

OPTIA

POP

STANLEY
Assembly Technologies

TUCKER