



- (EN) Hydro-Pneumatic Power Tool
- (AR) الأداة الكهروبنائية المائية الهوائية
- (BG) Хидро-пневматични инструменти
- (CZ) Hydro Pneumatické nářadí
- (EL) Υδροπνευματικό εργαλείο ισχύος
- (ET) Hüdorpneumaatiline elektritööriist
- (HR) Hidro-pneumatski električni alat
- (HU) Hidropneumatikus motoros szerszám
- (LT) Hidropneumatinis elektrinis įrankis
- (LV) Hidropneimatiskais elektroinstruments
- (RO) Unealtă hidro-pneumatică
- (RU) Пневмо-гидравлический инструмент
- (SK) Hydro-pneumatické elektrické náradie
- (SL) Hidro-pnevmatsko električno orodje
- (TR) Hidro-Pnömatik Elektrikli Alet



ProSet® XT3 Blind Rivet Tool – 76003  
ProSet® XT4 Blind Rivet Tool – 76004

Hydro-Pneumatic Power Tool



Figure 3

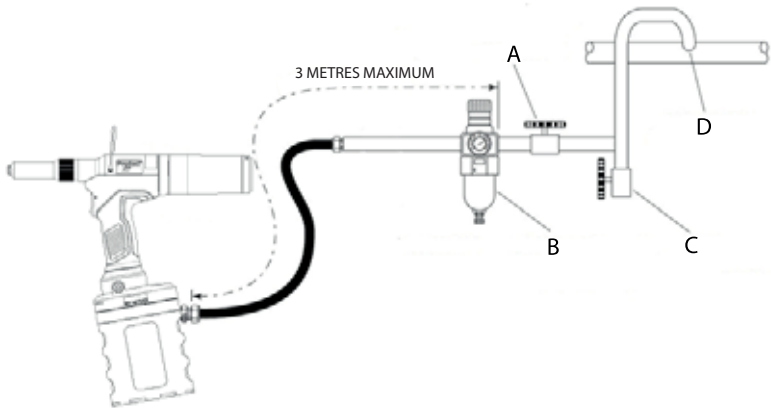


Figure 4

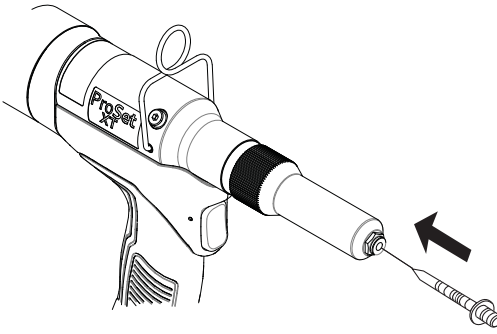


Figure 5

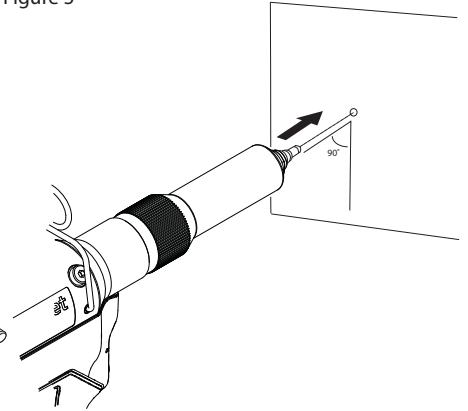
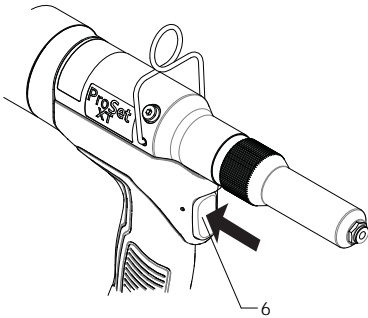


Figure 6



©2017 Stanley Black & Decker inc.  
All rights reserved.

The information provided may not be reproduced and/or made public in any way and through any means (electronically or mechanically) without prior explicit and written permission from STANLEY Engineered Fastening. The information provided is based on the data known at the moment of the introduction of this product. STANLEY Engineered Fastening pursues a policy of continuous product improvement and therefore the products may be subject to change. The information provided is applicable to the product as delivered by STANLEY Engineered Fastening. Therefore, STANLEY Engineered Fastening cannot be held liable for any damage resulting from deviations from the original specifications of the product.

The information available has been composed with the utmost care. However, STANLEY Engineered Fastening will not accept any liability with respect to any faults in the information nor for the consequences thereof. STANLEY Engineered Fastening will not accept any liability for damage resulting from activities carried out by third parties. The working names, trade names, registered trademarks, etc. used by STANLEY Engineered Fastening should not be considered as being free, pursuant to the legislation with respect to the protection of trade marks.

**CONTENT**

- 1. SAFETY DEFINITIONS ..... 4**
- 1.1 GENERAL SAFETY RULES ..... 4
- 1.2 PROJECTILE HAZARDS ..... 4
- 1.3 OPERATING HAZARDS ..... 5
- 1.4 REPETITIVE MOTIONS HAZARDS ..... 5
- 1.5 ACCESSORY HAZARDS ..... 5
- 1.6 WORKPLACE HAZARDS ..... 6
- 1.7 NOISE HAZARDS ..... 6
- 1.8 VIBRATION HAZARDS ..... 6
- 1.9 ADDITIONAL SAFETY INSTRUCTIONS FOR PNEUMATIC POWER TOOLS ..... 6
- 2. SPECIFICATIONS ..... 7**
- 2.1. TOOL SPECIFICATIONS ..... 7
- 2.2 PLACING SPECIFICATIONS ..... 8
- 2.3 THE PACKAGE CONTENTS ..... 9
- 2.4 MAIN COMPONENTS LIST ..... 9
- 2.5 STANDARD NOSE EQUIPMENT ..... 9
- 3. TOOL SET UP ..... 10**
- 3.1 NOSE EQUIPMENT (Ref. fig. 2) ..... 10
- 3.2 AIR SUPPLY (Ref. fig. 3) ..... 10
- 3.3 PRINCIPLE OF OPERATION ..... 11
- 4. OPERATION PROCEDURE ..... 12**
- 4.1 TOOL OPERATION (Ref. fig. 1, 4, 5, 6) ..... 12
- 4.2 EMPTYING THE MANDREL COLLECTOR (Ref. fig. 1) ..... 12
- 5. SERVICING THE TOOL ..... 13**
- 5.1 MAINTENANCE FREQUENCY ..... 13
- 5.2 NOSE EQUIPMENT ..... 13
- 5.3 DAILY SERVICING ..... 13
- 5.4 WEEKLY SERVICING ..... 13
- 5.5 PROTECTING THE ENVIRONMENT ..... 13
- 6. EC-DECLARATION OF CONFORMITY ..... 14**
- 7. UK DECLARATION OF CONFORMITY ..... 15**
- 8. PROTECT YOUR INVESTMENT! ..... 16**
- 8.1 POP® AVDEL® BLIND RIVET TOOL WARRANTY ..... 16
- 8.2 REGISTER YOUR BLIND RIVET TOOL ONLINE ..... 16



This instruction manual must be read by any person installing or operating this tool with particular attention to the following safety rules.



Always wear impact-resistant eye protection during operation of the tool. The grade of protection required should be assessed for each use.



Use hearing protection in accordance with employer's instructions and as required by occupational health and safety regulations.



Use of the tool can expose the operator's hands to hazards, including crushing, impacts, cuts and abrasions and heat. Wear suitable gloves to protect hands.

## 1. SAFETY DEFINITIONS

The definitions below describe the level of severity for each signal word. Please read the manual and pay attention to these symbols.



**DANGER:** Indicates an imminently hazardous situation which, if not avoided, will result in death or serious injury.



**WARNING:** Indicates a potentially hazardous situation which, if not avoided, could result in death or serious injury.



**CAUTION:** Indicates a potentially hazardous situation which, if not avoided, may result in minor or moderate injury.

**CAUTION:** Used without the safety alert symbol indicates a potentially hazardous situation which, if not avoided, may result in property damage.

***Improper operation or maintenance of this product could result in serious injury and property damage. Read and understand all warnings and operating instructions before using this equipment. When using power tools, basic safety precautions must always be followed to reduce the risk of personal injury.***

### SAVE ALL WARNINGS AND INSTRUCTIONS FOR FUTURE REFERENCE

#### 1.1 GENERAL SAFETY RULES

- For multiple hazards, read and understand the safety instructions before installing, operating, repairing, maintaining, changing accessories on, or working near the tool. Failure to do so can result in serious bodily injury.
- Only qualified and trained operators must install, adjust or use the tool.
- DO NOT use outside the design intent of placing STANLEY Engineered Fastening Blind Rivets.
- Use only parts, fasteners, and accessories recommended by the manufacturer.
- DO NOT modify the tool. Modifications can reduce the effectiveness of safety measures and increase the risks to the operator. Any modification to the tool undertaken by the customer will be the customer's entire responsibility and void any applicable warranties.
- Do not discard the safety instructions; give them to the operator.
- Do not use the tool if it has been damaged.
- Prior to use, check for misalignment or binding of moving parts, breakage of parts, and any other condition that affects the tool's operation. If damaged, have the tool serviced before using. Remove any adjusting key or wrench before use.
- Tools shall be inspected periodically to verify that the ratings and markings required by this part of ISO 11148 are legibly marked on the tool. The employer/user shall contact the manufacturer to obtain replacement marking labels when necessary.
- The tool must be maintained in a safe working condition at all times and examined at regular intervals for damage and function by trained personnel. Any dismantling procedure will be undertaken only by trained personnel. Do not dismantle this tool without prior reference to the maintenance instructions.

#### 1.2 PROJECTILE HAZARDS

- Disconnect the air supply from the tool before performing any maintenance, attempting to adjust, fit or remove a nose assembly or accessories.

- Be aware that failure of the workpiece or accessories, or even of the inserted tool itself can generate high-velocity projectiles.
- Always wear impact-resistant eye protection during operation of the tool. The grade of protection required should be assessed for each use.
- The risks to others should also be assessed at this time.
- Ensure that the workpiece is securely fixed.
- Check that the means of protection from ejection of fastener and/or mandrel is in place and is operative.
- DO NOT use the tool without mandrel collector installed.
- Warn against the possible forcible ejection of mandrels from the front of the tool.
- DO NOT operate a tool that is directed towards any person(s).

### **1.3 OPERATING HAZARDS**

- Use of the tool can expose the operator's hands to hazards, including crushing, impacts, cuts and abrasions and heat. Wear suitable gloves to protect hands.
- Operators and maintenance personnel shall be physically able to handle the bulk, weight and power of the tool.
- Hold the tool correctly; be ready to counteract normal or sudden movements and have both hands available.
- Keep tool handles dry, clean, and free from oil and grease.
- Maintain a balanced body position and secure footing when operating the tool.
- Release the start-and-stop device in the case of an interruption of the air supply.
- Use only lubricants recommended by the manufacturer.
- Contact with hydraulic fluid should be avoided. To minimise the possibility of rashes, care should be taken to wash thoroughly if contact occurs.
- Material Safety Data Sheets for all hydraulic oils and lubricants is available on request from your tool supplier.
- Avoid unsuitable postures as it is likely for these positions not to allow counteracting of normal or unexpected movement of the tool.
- If the tool is fixed to a suspension device, make sure that the fixation is secure.
- Beware of the risk of crushing or pinching if nose equipment is not fitted.
- DO NOT operate tool with the nose casing removed.
- Adequate clearance is required for the tool operator's hands before proceeding.
- When carrying the tool from place to place keep hands away from the trigger to avoid inadvertent activation.
- DO NOT abuse the tool by dropping or using it as a hammer.
- Care should be taken to ensure that spent mandrels do not create a hazard.
- The mandrel collector must be emptied when approximately half full.

### **1.4 REPETITIVE MOTIONS HAZARDS**

- When using the tool, the operator can experience discomfort in the hands, arms, shoulders, neck or other parts of the body.
- While using the tool, the operator should adopt a comfortable posture whilst maintaining a secure footing and avoiding awkward or off-balance postures. The operator should change posture during extended tasks; this can help avoid discomfort and fatigue.
- If the operator experiences symptoms such as persistent or recurring discomfort, pain, throbbing, aching, tingling, numbness, burning sensations or stiffness, these warning signs should not be ignored. The operator should tell the employer and consult a qualified health professional.

### **1.5 ACCESSORY HAZARDS**

- Disconnect the tool from the air supply before fitting or removing the nose assembly or accessory.
- Use only sizes and types of accessories and consumables that are recommended by the manufacturer of the tool; do not use other types or sizes of accessories or consumables.

**1.6 WORKPLACE HAZARDS**

- Slips, trips and falls are major causes of workplace injury. Be aware of slippery surfaces caused by use of the tool and also of trip hazards caused by the air line or hydraulic hose.
- Proceed with care in unfamiliar surroundings. There can be hidden hazards, such as electricity or other utility lines.
- The tool is not intended for use in potentially explosive atmospheres and is not insulated against contact with electric power.
- Ensure that there are no electrical cables, gas pipes, etc., which can cause a hazard if damaged by use of the tool.
- Dress properly. Do not wear loose clothing or jewellery. Keep your hair, clothing and gloves away from moving parts. Loose clothes, jewellery or long hair can be caught in moving parts.
- Care should be taken to ensure that spent mandrels do not create a hazard.

**1.7 NOISE HAZARDS**

- Exposure to high noise levels can cause permanent, disabling hearing loss and other problems, such as tinnitus (ringing, buzzing, whistling or humming in the ears). Therefore, risk assessment and the implementation of appropriate controls for these hazards are essential.
- Appropriate controls to reduce the risk may include actions such as damping materials to prevent workpieces from "ringing".
- Use hearing protection in accordance with employer's instructions and as required by occupational health and safety regulations.
- Operate and maintain the tool as recommended in the instruction manual, to prevent an unnecessary increase in the noise level.
- Ensure that the silencer within the mandrel collector is in place and in good working order when the tool is being operated.

**1.8 VIBRATION HAZARDS**

- Exposure to vibration can cause disabling damage to the nerves and blood supply of the hands and arms.
- Wear warm clothing when working in cold conditions and keep your hands warm and dry.
- If you experience numbness, tingling, pain or whitening of the skin in your fingers or hands, stop using the tool, tell your employer and consult a physician.
- Where possible support the weight of the tool in a stand, tensioner or balancer, because a lighter grip can then be used to support the tool.

**1.9 ADDITIONAL SAFETY INSTRUCTIONS FOR PNEUMATIC POWER TOOLS**

- The operating supply air must not exceed 7 bar (100 PSI).
- Air under pressure can cause severe injury.
- Never leave operating tool unattended. Disconnect air hose when tool is not in use, before changing accessories or when making repairs.
- DO NOT let air exhaust opening on the mandrel collector face in the direction of the operator or other persons. Never direct air at yourself or anyone else.
- Whipping hoses can cause severe injury. Always check for damaged or loose hoses and fittings.
- Prior to use, inspect airlines for damage, all connections must be secure. Do not drop heavy objects on hoses. A sharp impact may cause internal damage and lead to premature hose failure.
- Cold air shall be directed away from hands.
- Whenever universal twist couplings (claw couplings) are used, lock pins shall be installed and whipcheck safety cables shall be used to safeguard against possible hose-to-tool or hose-to-hose connection failure.
- DO NOT lift the placing tool by the hose. Always use the placing tool handle.
- Vent holes must not become blocked or covered.
- Keep dirt and foreign matter out of the hydraulic system of the tool as this will cause the tool to malfunction.

**STANLEY Engineered Fastening policy is one of continuous product development and improvement and we reserve the right to change the specification of any product without prior notice.**

## 2. SPECIFICATIONS

The ProSet® XT3 & XT4 are hydro-pneumatic tools designed to place Stanley Engineered Fastening blind rivets at high speed.

The tools feature a vacuum system for rivet retention and trouble free collection of the spent mandrels regardless of tool orientation.

When coupled to the relevant nose equipment the ProSet® XT3 & XT4 can be used to place blind rivets in the range of Ø4.0mm to Ø6.4mm. Refer to the table on page 10 for a list of all rivets that can be placed.

The safety warnings on pages 4 & 6 must be followed at all times.

**DO NOT** use under wet conditions or in the presence of flammable liquids or gases.

### 2.1. TOOL SPECIFICATIONS

	XT3		XT4	
<b>Pull-Force:</b> @ 5.5 bar	17.0 kN	3822 lbf	23.0 kN	5193 lbf
<b>Air Supply Pressure:</b> Min. to Max.	5.0 - 7.0 bar	72.5 - 101.5 lbf/in <sup>2</sup>	5.0 - 7.0 bar	72.5 - 101.5 lbf/in <sup>2</sup>
<b>Oil Pressure:</b> Pull @ 5.5 bar	290 bar	4206 lbf/in <sup>2</sup>	395 bar	5729 lbf/in <sup>2</sup>
<b>Stroke:</b> Minimum Piston Stroke	26.0 mm	1.02 in.	18.0 mm	0.91 in.
<b>Weight:</b> Incl. nose equipment	2.24 kg	4.94 lb	2.26 kg	4.98 lb
<b>Weight:</b> without nose equipment	2.00 kg	4.41 lb	2.02 kg	4.41 lb
<b>Free Air Volume:</b> @ 5.5 bar	6.3 ltr	384.4 in <sup>3</sup>	6.3 ltr	384.4 in <sup>3</sup>
<b>Cycle Time:</b> Approximate	0.9 seconds		1.0 seconds	

<b>Noise values determined according to noise test code ISO 15744 and ISO 3744.</b>		XT3	XT4
A-weighted sound power level dB(A), $L_{WA}$	Uncertainty noise: $k_{WA} = 3.0$ dB(A)	90.3 dB(A)	89.7 dB(A)
A-weighted emission sound pressure level at the work station dB(A), $L_{pA}$	Uncertainty noise: $k_{pA} = 3.0$ dB(A)	79.3 dB(A)	78.7 dB(A)
C-weighted peak emission sound pressure level dB(C), $L_{pC}$ peak	Uncertainty noise: $k_{pC} = 3.0$ dB(C)	82.7 dB(C)	81.5 dB(A)

<b>Vibration values determined according to vibration test code ISO 20643 and ISO 5349.</b>		XT3	XT4
Vibration emission level, $a_{hd}$ :		1.41 m/s <sup>2</sup>	1.80 m/s <sup>2</sup>
Uncertainty vibration: k		0.70 m/s <sup>2</sup>	0.90 m/s <sup>2</sup>
Declared vibration emission values in accordance with EN 12096			



**2.2 PLACING SPECIFICATIONS**

Rivet Type	Rivet Diameter mm [inches]										
	4 [5/32]	4,3	4,8 [3/16]	6	6,4 [1/4]	7	8	9	10	11	12
Open End	●*		●**		●						
Closed End	●*		●**		●						
HR	●*		●		●						
HS					● (3)						
Multi-Grip	●*		●**		●						
TL	●*		●								
T-Rivet (Emhart)	●*		●		●						
Self-Pluggger	●*		●		●						
Ultra Grip (UG) (NPR)					⊗ (3)						
CD					● (3)						
Avex®	● (2)		● (2)		● (2)						
Stavex®	● (2)		● (2)		● (1)(3)						
Avinox®/ Avibulb®	● (2)		● (2)	● (2)							
Avinox®XT / Avibulb®XT					● (1)(3)						
LSR/Bulbex®	● (2)		● (2)								
T-Lok®		● (2)	● (2)								
Avdel® SR	● (2)		● (2)		● (2)						
Hemlok®					● (1)(3)						
Interlock®			⊗ (2)		⊗ (1)(3)						
Maxlok®			● (3)		Ⓞ (3)						
Monobolt®			⊗ (1)(2)		⊗ (1)(3)						
Avtainer®									Ⓞ (1)(3)		
Avseal® (STD)				● (1)(3)		● (1)(3)	● (1)(3)	● (1)(3)	Ⓞ (1)(3)		
Avseal® (Low Press)							● (1)(3)	● (1)(3)	● (1)(3)	Ⓞ (1)(3)	Ⓞ (1)(3)
Q Rivet	● (2)		● (2)		● (2)						
T Rivet (Avdel)			● (1)(2)		● (1)(2)						
Avdelmate®			● (2)		● (2)						
Klamp-Tite® BAPK			⊗ (2)		⊗ (2)						
Klamp-Tite® BAPKTR			⊗ (1)(2)		⊗ (1)(2)						
Avdelok®			● (3)		Ⓞ (3)						

\* Use PRG540-46 jaws and FAN276-064 jaw pusher assembly

\*\* Use PRG540-46 jaws.

● Is applicable for both XT3 and XT4 tool

⊗ Is only applicable for XT3 tool

Ⓞ Is only applicable for XT4 tool

(1) Non-standard nose piece required

(2) Alternative type nose equipment available

(3) Non-standard nose equipment required.

For a full list of compatible nose equipment for each rivet type, together with assembly and maintenance instructions, please refer to the ProSet® nose equipment manual 07900-09414

### 2.3 THE PACKAGE CONTENTS

- 1 ProSet® XT3 or XT4 blind rivet tool.
- 1 set Standard\* Nose Equipment & Nosepieces for 4.8mm [3/16"] and 6.4mm [1/4"] rivets.
- 1 Printed Instruction Manual – region dependent.

### 2.4 MAIN COMPONENTS LIST

Refer to figure 1 & 2 and the table below.

Item	Part Number	Description	Qty
1	76003-15000*	Standard nose equipment	1
2	76003-02022	Suspension hook	1
3	76003-05200	Mandrel collector	1
4	07001-00405	Oil plug	1
5	07003-00194	Seal	1
6	76003-02008	Trigger	1
7	76003-03700	On/Off valve	1
8	71210-02103	Locknut	1

### 2.5 STANDARD NOSE EQUIPMENT

Refer to figure 2 and the table below.

Item	Part Number	Description	Qty
1c	PRN614	Nose Piece - 4.8 mm [3/16"] (Fitted)	1
1d	PRN811	Nose Piece - 6.4 mm [1/4"]	1
1e	76003-15001	Nose casing	1
1f	07003-00067	O ring	1
1g	DPN276-001	Jaw guide	1
1h	PRG540-44	Jaws	1 Set
1i	DPN276-006	Jaw pusher	1
1j	DPN900-060	O ring	1
1k	DPN901-019	Jaw pusher spring	1
1l	76003-15002	Pulling head	1
1m	76003-15004	Jaw guide lock	1
1n	DPN901-020	Spring	1
1o	76003-15003	Pulling head adapter	1
1p	07003-00277	O ring	1

For additional nose equipment please refer to the ProSet® Nose Equipment Manual 07900-09414 or visit [www.stanleyengineeredfastening.com/resource-center/document-library](http://www.stanleyengineeredfastening.com/resource-center/document-library)

For a full list of tool accessories, please refer to the ProSet Accessories Manual 07900-09415.

\* Nose equipment is not supplied with the Proset XT3 Base Tool (76003-01000) and Proset XT4 Base Tool (76004-01000).

### 3. TOOL SET UP

**IMPORTANT - READ THE SAFETY WARNINGS ON PAGE 6 & 8 CAREFULLY BEFORE PUTTING INTO SERVICE.**

**IMPORTANT - THE AIR SUPPLY MUST BE TURNED OFF OR DISCONNECTED BEFORE FITTING OR REMOVING THE NOSE ASSEMBLY.**

#### 3.1 NOSE EQUIPMENT (Ref. fig. 2)

Item numbers in bold refer to the components in figures 1 & 2 and the tables on page 11.

The complete tool will be supplied pre-assembled with the Nose Piece for 4.8mm [3/16"] rivets.

One additional Nose Piece for 6.4mm [1/4"] rivets are supplied separately.

#### Mounting the nose piece

- The air supply must be disconnected.
- Select the correct nose piece for the rivet to be installed.
- Remove the nose casing (**1e**), including nose piece (**1a,b,c, or d**), and O ring (**1f**)
- Remove the nose piece (**1a,b,c or d**) from the nose casing (**1e**)
- Select the relevant size nose piece and assemble in reverse order.

#### Removing complete nose equipment.

- The air supply must be disconnected.
- Remove the nose casing (**1e**), including the nose piece (**1a,b,c or d**), and O ring (**1f**) from the tool.
- Pull back the jaw guide lock (**1m**) against the spring (**1n**) and then remove the jaw guide (**1g**).
- Remove the jaws (**1h**) from the jaw guide (**1g**).
- Remove jaw pusher (**1i**), O ring (**1j**), and Jaw pusher spring (**1k**), from the pulling head (**1l**).
- Remove the pulling head assembly (**1q**) from the tool piston using spanners

#### Mounting the complete nose equipment

- The air supply must be disconnected
- Any worn or damaged part should be replaced.
- Clean and check wear on jaws (**1h**).
- Ensure that the jaw pusher (**1i**) or the jaw pusher spring (**k**) are not distorted.
- Lightly coat jaws (**1h**) with moly lithium grease.
- Drop Jaws (**1h**) into the jaw guide (**1g**).
- Insert jaw pusher (**1i**) and O ring (**1j**) into the pulling head (**1l**).
- Pull back the jaw guide lock (**1m**) and screw the jaw guide (**1g**) fully on to the pulling head (**1l**).
- Release the jaw guide lock (**1m**) and then partially unscrew the jaw guide (**1g**) until the jaw guide lock (**1m**) tooth clicks into the next slot on the jaw guide (**1g**).
- Place nose casing (**1e**) over the jaw guide (**1g**) and tighten fully onto the tool.

Nose assemblies should be serviced at weekly intervals. You should hold some stock of all internal components of the nose assembly and nose tips as they will need regular replacement.

#### 3.2 AIR SUPPLY (Ref. fig. 3)

Components

- Stop cock (used during maintenance of filter/regular or lubricated units)
  - Pressure regulator and filter (daily drain)
  - Main supply drain point
  - Take off point from main supply
- All tools are operated with compressed air at a minimum pressure of 5.0 bar.
  - Pressure regulators and automatic oiling/filtering systems to be used on the main air supply within 3 metres of the tool (see fig. 3).
  - Air supply hoses will have a minimum working effective pressure rating of 150% of the maximum pressure produced in the system or 10 bar, whichever is the highest.

- 
- Air hoses must be oil resistant, have an abrasion resistant exterior and be armoured where operating conditions may result in hoses being damaged.
  - All air hoses MUST have a minimum bore diameter of 6.4 millimetres.
  - Check for air leaks. If damaged, hoses and couplings must be replaced by new items.
  - If there is no filter on the pressure regulator, bleed the airline to clear it of accumulated dirt or water before connecting air hose to the tool.

### **3.3 PRINCIPLE OF OPERATION**

**CAUTION - CORRECT SUPPLY PRESSURE IS IMPORTANT FOR PROPER FUNCTION OF THE INSTALLATION TOOL. PERSONAL INJURY OR DAMAGE TO EQUIPMENT MAY OCCUR WITHOUT CORRECT PRESSURES. THE SUPPLY PRESSURE MUST NOT EXCEED THAT LISTED IN THE PLACING TOOL SPECIFICATION**

Item numbers in bold refer to the components in figures 1 & 2 and the tables on page 11.

When the pneumatic hose is connected to the placing tool, the pull and return cycles of the tool are controlled by depressing and releasing the trigger **(6)** located in the handle.

- Air supply is disconnected.
- Connect the appropriate nose equipment as described on page 10 & 12.
- Connect the pneumatic hose to the air on/off valve **(7)**.
- Connect the pneumatic hose mains air supply.
- Switch on the mains supply to the tool by sliding the air on/off valve **(7)** to the up position.
- Air is now be supplied to the tool and the vacuum system is in operation.
- Pull and release the trigger **(6)** a few times to the full stroke of the tool to check operation. Observe action of tool. Check for fluid and/or air leaks.

## 4. OPERATION PROCEDURE

### 4.1 TOOL OPERATION (Ref. fig. 1, 4, 5, 6)

#### Installing a blind rivet

- Ensure that the mandrel collector (3) is fitted.
- Insert rivet mandrel into the nose piece (1a, b, c or d). The vacuum system will retain the rivet in the nose piece.
- Position the tool.
- Ensure nose equipment is at right angle (90°) to the work piece.
- Pull and hold trigger (6) until the rivet is fully set in the application.
- When the rivet has been set completely, release the trigger (6). The tool will return to its initial position automatically. The mandrel is automatically dropped into the mandrel collector (3) by the vacuum system.
- Mandrel collector must be emptied before it is half full.

**CAUTION –DO NOT FORCE THE INSERTION OF A RIVET MANDREL OR RIVET BODY. THIS WILL CAUSE DAMAGE TO THE TOOL AND/OR APPLICATION.**

### 4.2 EMPTYING THE MANDREL COLLECTOR (Ref. fig. 1)

#### CAUTION - DO NOT USE THE TOOL WHEN THE MANDREL COLLECTOR IS REMOVED

- The tool is fitted with a quick connect/release mandrel collector (3).
- A 60° rotation removes or replaces the mandrel collector.
- Removing the mandrel collector (3) from the tool automatically turns OFF the vacuum rivet retention and mandrel extraction system.
- Refitting the mandrel collector turns the vacuum system ON.

## 5. SERVICING THE TOOL

### 5.1 MAINTENANCE FREQUENCY

Regular servicing must be carried out by trained personnel and a comprehensive inspection performed annually or every 500,000 cycles, whichever is sooner.



DISCONNECT AIR SUPPLY



**CAUTION** - *Never use solvents or other harsh chemicals for cleaning the non-metallic parts of the tool. These chemicals may weaken the materials used in these parts.*

### 5.2 NOSE EQUIPMENT

Nose assemblies need to be serviced at weekly intervals or every 5,000 cycles. Hold some stock of all internal components of the nose assembly and nose pieces, they need regular replacement.

- Disconnect the air supply
- Remove the complete nose assembly using the procedure described in section 3.1.
- Inspect all components. Any worn or damaged parts must be replaced by a new part.
- Particularly check wear on the Jaws (**1h**).
- Clean all parts and apply moly lithium Grease (07992-00020) to jaws (**1h**) and taper bore of jaw guide (**1g**).
- Assemble according to fitting instructions in section 3.1.

### 5.3 DAILY SERVICING

- Before use, check the tool, hose and couplings for air leaks and oil leaks. If damaged, remove the tool from service and replace affected items with new parts.
- If there is no filter on the pressure regulator, bleed the airline to clear it of accumulated dirt or water before connecting the air hose to the tool. If there is a filter, drain it.
- Check that the nose equipment (**1**) is correct for the rivet to be placed and that it is fitted properly.
- Check that the stroke of the tool meets the minimum specification (ref. 2.1).
- The mandrel collector (**3**) must fitted to the tool.
- Check that the air chamber is fully tightened onto the tool body.

### 5.4 WEEKLY SERVICING

- Check the tool, hose and couplings for air leaks and oil leaks. If damaged, remove the tool from service and replace affected items with new parts.

For full servicing, troubleshooting and maintenance instructions please refer to the Service Manual Nr. 07900-09410 for the XT3 and 07900-09411 for the XT4.

For Safety Data relating to the grease and oil used in this tool please refer to the Service Manual Nr. 07900-09410 for the XT3 and 07900-09411 for the XT4.

### 5.5 PROTECTING THE ENVIRONMENT

Assure conformity with applicable disposal regulations. Dispose all waste products at an approved waste facility or site so as not to expose personnel and the environment to hazards.

## 6. EC DECLARATION OF CONFORMITY

We, **Stanley Engineered Fastening, Stanley House, Works Road, Letchworth Garden City, Hertfordshire, SG6 1JY UNITED KINGDOM**, declare under our sole responsibility that the product:

**Description:**

**ProSet® XT3 and ProSet® XT4 Hydro-Pneumatic tools for Blind Rivets**

**Model:**

**POP-Avdel® / 76003 and POP-Avdel® / 76004**

to which this declaration relates is in conformity with the following harmonized standards:

ISO 12100:2010	EN ISO 3744:2010
EN ISO 11202:2010	EN ISO 11148-1:2011
EN ISO 4413:2010	BS EN 28662-1:1993
EN ISO 4414:2010	EN ISO 20643:2008+A1:2012
EN ISO 28927-5:2009+A1:2015	ES100118-rev 17:2017

Technical documentation is compiled in accordance with Annex 1, section 1.7.4.1, in accordance with the following Directive:

**2006/42/EC The Machinery Directive**

(Statutory Instruments 2008 No 1597 - The Supply of Machinery (Safety) Regulations refers).

The undersigned makes this declaration on behalf of STANLEY Engineered Fastening.



**A. K. Seewraj**

**Director of Engineering, UK**

Avdel UK Limited, Stanley House, Works Road, Letchworth Garden City, Hertfordshire,  
SG6 1JY UNITED KINGDOM

**Place of Issue:**

**Letchworth Garden City, UK**

**Date of Issue:**

**01-13-2017**

The undersigned is responsible for compilation of the technical file for products sold in the European Union and makes this declaration on behalf of Stanley Engineered Fastening.

**Matthias Appel**

**Team Leader Technical Documentation**

Stanley Engineered Fastening, Tucker GmbH, Max-Eyth-Str.1,  
35394 Gießen, Germany



**This machinery is in conformity with  
Machinery Directive 2006/42/EC**

## 7. UK DECLARATION OF CONFORMITY

We, **Stanley Engineered Fastening, Stanley House, Works Road, Letchworth Garden City, Hertfordshire, SG6 1JY UNITED KINGDOM**, declare under our sole responsibility that the product:

**Description:**

**ProSet® XT3 and ProSet® XT4 Hydro-Pneumatic tools for Blind Rivets**

**Model:**

**POP-Avdel® / 76003 and POP-Avdel® / 76004**

to which this declaration relates is in conformity with the following designated standards:

ISO 12100:2010	EN ISO 3744:2010
EN ISO 11202:2010	EN ISO 11148-1:2011
EN ISO 4413:2010	BS EN 28662-1:1993
EN ISO 4414:2010	EN ISO 20643:2008+A1:2012
EN ISO 28927-5:2009+A1:2015	ES100118-rev 17:2017

Technical documentation is compiled in accordance with the Supply of Machinery (Safety) Regulations 2008, S.I. 2008/1597 (as amended).

The undersigned makes this declaration on behalf of STANLEY Engineered Fastening.



**A. K. Seewraj**

**Director of Engineering, UK**

Avdel UK Limited, Stanley House, Works Road, Letchworth Garden City, Hertfordshire,  
SG6 1JY UNITED KINGDOM

**Place of Issue:**

**Letchworth Garden City, UK**

**Date of Issue:**

**01-13-2017**



This machinery is in conformity with  
**Supply of Machinery (Safety) Regulations 2008,**  
S.I. 2008/1597 (as amended)



## 8. PROTECT YOUR INVESTMENT!

### 8.1 POP<sup>AVDEL</sup> BLIND RIVET TOOL WARRANTY

STANLEY Engineered Fastening warrants that all power tools have been carefully manufactured and that they will be free from defect in material and workmanship under normal use and service for a period of one (1) year. This warranty applies to the first time purchaser of the tool for original use only.

#### **Exclusions:**

##### **Normal wear and tear.**

Periodic maintenance, repair and replacement parts due to normal wear and tear are excluded from coverage.

##### **Abuse & Misuse.**

Defect or damage that results from improper operation, storage, misuse or abuse, accident or neglect, such as physical damage are excluded from coverage.

##### **Unauthorized Service or Modification.**

Defects or damages resulting from service, testing adjustment, installation, maintenance, alteration or modification in any way by anyone other than STANLEY Engineered Fastening, or its authorized service centres, are excluded from coverage.

All other warranties, whether expressed or implied, including any warranties of merchantability or fitness for purpose are hereby excluded.

Should this tool fail to meet the warranty, promptly return the tool to our factory authorized service centre location nearest you. For a list of POP<sup>AVDEL</sup> Authorized Service Centres in the US or Canada, contact us at our toll free number (877)364 2781.

Outside the US and Canada, visit our website **[www.StanleyEngineeredFastening.com](http://www.StanleyEngineeredFastening.com)** to find your nearest STANLEY Engineered Fastening location.

STANLEY Engineered Fastening will then replace, free of charge, any part or parts found by us to be defective due to faulty material or workmanship, and return the tool prepaid. This represents our sole obligation under this warranty.

In no event shall STANLEY Engineered Fastening be liable for any consequential or special damages arising out of the purchase or use of this tool.

### 8.2 REGISTER YOUR BLIND RIVET TOOL ONLINE.

To register your warranty online, visit us at

<http://www.stanleyengineeredfastening.com/popavdel-powertools/warranty-card>.

Thank you for choosing a STANLEY Engineered Fastening's POP<sup>AVDEL</sup> Brand tool.

حقوق الطبع والنشر © لعام 2017 محفوظة لشركة Stanley Black & Decker inc.  
جميع الحقوق محفوظة.

يحظر إعادة إنتاج المعلومات المقدمة و/أو الإعلان عنها بأي طريقة ومن خلال أي وسيلة (إلكترونيًا أو ميكانيكيًا) دون إذن كتابي صريح مسبق من شركة STANLEY Engineered Fastening. وتنتج شركة STANLEY Engineered Fastening من أجل المنتج. وتتبع شركة STANLEY Engineered Fastening سياسة التحسين المستمر للمنتجات، ولذلك قد تخضع المنتجات للتغيير. والمعلومات المقدمة تنطبق على المنتج طالما أنه تم تسليمه من قبل شركة STANLEY Engineered Fastening. ولذلك، لا يمكن مساءلة شركة STANLEY Engineered Fastening عن أي ضرر ناتج من الانحرافات عن المواصفات الأصلية للمنتج.

لقد تم تجميع المعلومات المتوفرة بأقصى قدر من العناية. ولأن تقبل شركة STANLEY Engineered Fastening تحمل أي مسؤولية عن أي أخطاء في المعلومات أو عما يترتب عليها. كما إن تقبل الشركة تحمل أي مسؤولية عن أي ضرر ناتج عن أنشطة قامت بها أطراف أخرى. يجب ألا يتم اعتبار أسماء العمل والأسماء التجارية والعلامات التجارية المسجلة، وغيرها مما استخدمته شركة STANLEY Engineered Fastening، على أنها أسماء وعلامات مجانية، وذلك بموجب التشريع المتعلق بحماية العلامات التجارية.

## المحتوى

2	1. تعريف السلامة.....	1.1	قواعد السلامة العامة.....	
2	1.2 مخاطر المقذوفات.....	1.3	مخاطر التشغيل.....	
3	1.4 مخاطر الحركات المتكررة.....	1.5	مخاطر الملحقات.....	
3	1.6 مخاطر مكان العمل.....	1.7	مخاطر الضوضاء.....	
4	1.8 مخاطر الاهتزاز.....	1.9	تعليمات السلامة الإضافية لأدوات الطاقة الهوائية.....	
4	2. المواصفات.....	2.1	مواصفات الأداة.....	
5	2.2 مواصفات التركيب.....	2.3	محتويات العلبة.....	
6	2.4 قائمة المحتويات الرئيسية.....	2.5	معدة الأنف المعيارية.....	
7	3. إعداد الأداة.....	3.1	معدة الأنف (راجع الشكل 2).....	
8	3.2 مزود الهواء (راجع الشكل 3).....	3.3	مبدأ التشغيل.....	
9	4. إجراءات عملية التشغيل.....	4.1	تشغيل الأداة (راجع الأشكال 1، 4، 5، 6).....	
10	4.2 تفرغ مجمع الشياق (الشكل 1).....	5. صيانة الأداة.....	5.1	معدل تكرار الصيانة.....
11	5.2 معدات الأنف.....	5.3	الصيانة اليومية.....	
11	5.4 الصيانة الأسبوعية.....	5.5	حماية البيئة.....	
11	6. بيان المطابقة لتعليمات المجموعة الأوروبية (EC).....	7. إعلان التوافق الخاص بالمملكة المتحدة.....	8. احم استثمارك!.....	
12	8.1 أداة تثبيت البراشيم العمياء® POP®Avdel.....	8.2	تسجيل أداة تثبيت البراشيم العمياء عبر الإنترنت.....	

- يجب قراءة دليل التعليمات من قِبل أي شخص يقوم بتركيب هذه الأداة أو تشغيلها مع إيلاء اهتمام خاص بقواعد السلامة التالية.
- قم دائمًا بارتداء أدوات مقاومة للصدمات لحماية العين أثناء تشغيل الأداة. ويجب أن يتم تقييم مستوى الحماية المطلوبة لكل حالة استخدام على حدة.
- استخدم وسائل حماية السمع وفقًا لتعليمات صاحب العمل وحسب الضرورة بموجب لوائح الصحة المهنية ولوائح السلامة المتبعة.
- يمكن أن يؤدي استخدام الأداة إلى تعريض أيادي المشغل للمخاطر، بما في ذلك السحق والصدم والقطع والكشط والحرارة. ارتد قفازات مناسبة لحماية اليدين.



## 1. تعريفات السلامة

توضح التعريفات التالية مستوى حدة كل كلمة من كلمات الإشارة. يُرجى قراءة الدليل والانتباه إلى هذه الرموز.

**خطر:** يشير إلى موقف خطير وشيك الحدوث وسيؤدي إلى الوفاة أو إصابة خطيرة ما لم يتم تجنبه.



**تحذير:** يشير إلى موقف خطير محتمل قد يؤدي إلى الوفاة أو إصابة خطيرة ما لم يتم تجنبه.



**تنبيه:** يشير إلى موقف محتمل خطير قد يؤدي إلى إصابة صغيرة أو متوسطة ما لم يتم تجنبه.

**تنبيه:** مُستخدم دون رمز تنبيه السلامة للإشارة إلى موقف محتمل خطير قد يُلحق ضررًا بالممتلكات، إذا لم يتم تجنبه.



قد يؤدي التشغيل أو الصيانة غير السليمة لهذا المنتج إلى إصابة خطيرة وتضرر الممتلكات.

اقرأ واستوعب جميع التحذيرات والتعليمات التشغيل قبل استخدام هذه المعدة. وعند استخدام الأدوات الكهربائية، يجب دائمًا اتباع احتياطات السلامة الأساسية للحد من خطر وقوع الإصابة الشخصية.

قم بحفظ جميع التحذيرات والتعليمات للرجوع إليها في المستقبل

### 1.1 قواعد السلامة العامة

- بسبب المخاطر المتعددة، قم بقراءة تعليمات السلامة وفهمها قبل تركيب الملحقات أو تشغيلها أو إصلاحها أو صيانتها أو تغييرها، أو قبل العمل بالقرب من الأداة. يمكن أن يؤدي عدم عمل ذلك إلى التعرض لخطر بدني خطير.
- يجب ألا يقوم إلا المشغلين المؤهلين والمدربين بتركيب الأداة أو ضبطها أو استخدامها.
- لا تستخدم هذه المعدة لأغراض غير تركيب أدوات تثبيت البراشيم العمياء الخاصة بشركة STANLEY Engineered Fastening.
- لا تستخدم سوى الأجزاء وأدوات التثبيت والملحقات الموصى بها من قِبل الشركة المصنعة.
- لا تقم بإجراء أي تعديلات على الأداة. يمكن أن تقلل التعديلات التي يتم إجراؤها من فاعلية إجراءات السلامة، كما يمكن أن تزيد من المخاطر التي يكون المشغل معرضًا لها. ويتحمل العميل المسؤولية الكاملة عن أي تعديل يقوم به، كما أن تلك التعديلات تؤدي إلى إبطال أي ضمانات سارية.
- لا تتخلص من تعليمات السلامة؛ قم بإعطائها إلى المشغل.
- لا تستخدم الأداة إذا كانت تالفة.
- قبل الاستخدام، قم بالفحص لاكتشاف أي حالات عدم محاذاة أو انثناء الأجزاء المتحركة، وانكسار الأجزاء، وأي حالة أخرى تؤثر على تشغيل الأداة. وفي حالة تعطل الأداة، فاعمل على صيانتها قبل الاستخدام. قم بإزالة أي مفتاح ضبط أو ربط قبل الاستخدام.
- يتم فحص الأدوات بشكل دوري للتحقق من تمييز التصنيفات والعلامات التي تكون ضرورية بموجب هذا الجزء من معيار ISO 11148 بشكل واضح على الأداة. يتصل صاحب العمل / المستخدم الجهة المصنعة من أجل الحصول على ملصقات التمييز البديلة متى كان ذلك ضروريًا.
- يجب صيانة الأداة في ظروف عمل آمنة في جميع الأوقات وفحصها على فترات منتظمة لاكتشاف وجود أي تلف وتشغيلها من قِبل أفراد مدربين. وعدم إجراء أي تفكيك إلا من قِبل أفراد مدربين. لا تقم بتفكيك هذه الأداة دون الرجوع المسبق إلى تعليمات الصيانة.

### 1.2 مخاطر المقنوفات

- افصل إمداد الهواء عن الأداة قبل إجراء أي صيانة وقيل أي محاولة لضبط مجموعة الأنف أو الملحقات أو تركيبها أو إزالتها.
- انتبه إلى أن فشل قطعة العمل أو الملحقات، أو حتى الأداة التي تم تركيبها نفسها، يمكن أن يؤدي إلى إنتاج مقنوفات سريعة للغاية.
- قم دائمًا بارتداء أدوات مقاومة للصدمات لحماية العين أثناء تشغيل الأداة. ويجب أن يتم تقييم مستوى الحماية المطلوبة لكل حالة استخدام على حدة.

- كما يلزم كذلك تقييم المخاطر التي تحيق بالآخرين في هذا الوقت.
  - تحقق من تثبيت أداة العمل بشكل محكم.
  - تحقق من توافر وسائل الحماية من المقذوفات الناجمة عن أدوات التثبيت و / أو الشياق في مكانها ومن أنها تعمل بشكل جيد.
  - لا تستخدم الأداة بدون تركيب مجمع الشياق.
  - انتبه إلى القذف غير المقصود للشياق من مقدمة الأداة.
  - لا تقم بتشغيل أداة باتجاه أي شخص (أشخاص) مباشرة.
- 1.3 مخاطر التشغيل**
- يمكن أن يؤدي استخدام الأداة إلى تعريض أيادي المشغل للمخاطر، بما في ذلك السحق والصدم والقطع والكشط والحرارة. ارتد قفازات مناسبة لحماية اليدين.
  - يمكن للمشغلين والأشخاص المسؤولين عن الصيانة التعامل مع كتلة الأداة ووزنها وطاقتها من الناحية البدنية.
  - امسك الأداة بالشكل الصحيح؛ وكن على استعداد لمقاومة حركتها العادية أو المفاجئة، واجعل كلتا يديك متاحتين للتعامل مع الأداة.
  - حافظ على جفاف مقابض الأداة ونظافتها وخلوها من أي زيوت وشحوم.
  - حافظ على أن تكون وضعية جسمك متوازنة وثبات قدميك أثناء تشغيل الأداة.
  - حرر أداة التشغيل والإيقاف في حالة أي مقاطعة لإمداد الطاقة الهوائية.
  - لا تستخدم إلا مواد التشحيم التي توصي بها جهة التصنيع.
  - يجب تجنب ملامسة السائل الهيدروليكي. ويجب اتخاذ إجراءات السلامة للغسل الجيد إذا حدث تلامس مع السائل لتقليل احتمالية الطح الجلدي.
  - تتاح أوراق بيانات سلامة المواد لجميع مواد التشحيم والزيوت الهيدروليكية من مورد الأداة عند الطلب.
  - تجنب الأوضاع غير المناسبة حيث إنه من المحتمل ألا تسمح مثل تلك الأوضاع بمقاومة الحركة الطبيعية أو غير المتوقعة للأداة.
  - إذا تم تثبيت الأداة بجهاز تعليق، فتتحقق من إحكام ذلك التثبيت.
  - انتبه لمخاطر السحق أو الانضغاط إذا لم يتم تركيب معدة الأنف.
  - لا تقم بتشغيل الأداة أثناء إزالة مبيت الأنف.
  - يلزم وجود مسافة عازلة كافية وعدم ملامسة أيدي عمال التشغيل للأداة قبل متابعة الإجراء.
  - عند حمل الأداة من مكان إلى آخر، أبعد اليدين عن زناد التشغيل لتجنب التنشيط غير المتعمد.
  - تجنب إساءة استخدام الأداة بتعرضها للسقوط أو استخدامها كمطرقة.
  - يجب اتخاذ إجراءات الرعاية لضمان عدم تسبب الشياق في أي خطر.
  - يجب تفريغ مجمع الشياق عند امتلاء نصفه تقريباً.
- 1.4 مخاطر الحركات المتكررة**
- أثناء استخدام الأداة، يمكن أن يعاني المشغل من عدم الراحة بشكل أو بآخر في اليدين أو الذراعين أو الكتفين أو الرقبة أو في أجزاء أخرى من الجسم.
  - أثناء استخدام الأداة، يجب أن يستخدم المشغل وضعية مريحة مع التحقق من رسوخ القدمين وتجنب الوضعيات غير المضبوطة أو التي لا تساعد على ضمان التوازن. يجب أن يقوم المشغل بتغيير الوضعية أثناء المهام الطويلة؛ حيث إن ذلك يمكن أن يساعد على تجنب الشعور بعدم الراحة والإجهاد.
  - إذا شعر المشغل بأعراض مثل الشعور بعدم الراحة أو الألم أو الخفقان أو الألم الخفيف أو الوخز أو الخدر أو الحرق أو التصلب بصفة دائمة أو متكررة، يجب ألا يتجاهل علامات التحذير تلك. يجب أن يخبر المشغل صاحب العمل بذلك وأن يستشر محترف رعاية صحية مؤهل بها.
- 1.5 مخاطر الملحقات**
- فصل الأداة عن مصدر الطاقة الهوائية قبل تركيب أو إزالة مجموعة الأنف أو الملحقات.
  - لا تستخدم إلا مقاسات وأنواع الملحقات والمواد الاستهلاكية التي توصي بها الجهة المصنعة للأداة؛ ولا تستخدم أنواع وأحجام الملحقات أو المواد الاستهلاكية الأخرى.

**1.6 مخاطر مكان العمل**

- يعد الانزلاق والتعثّر والسقوط من الأسباب الرئيسية وراء الإصابات في مكان العمل. توخ الحذر من الأسطح الزلقة التي تتجم عن استخدام الأداة، وكذلك من مخاطر التعثر الناجمة عن خط الهواء أو الخرطوم الهيدروليكي.
- تعامل بكل عناية وحذر في البيئات التي لا تكون معتادًا عليها. فقد تكون هناك مخاطر غير ظاهرة، مثل خطوط الكهرباء أو غير ذلك من خطوط المرافق.
- الأداة غير مصممة للاستخدام في البيئات التي يحتمل أن تتعرض للانفجار، كما أنها ليست معزولة ضد الطاقة الكهربائية عند ملامستها.
- تحقق من عدم وجود كابلات كهربائية أو أنابيب غاز أو ما إلى ذلك من الأشياء التي يمكن أن تسبب في ظهور المخاطر إذا تعرضت للتلف بفعل استخدام الأداة.
- ارتد الملابس المناسبة. لا ترتدي ملابس فضفاضة أو جواهر. أبعد الشعر والملابس والقفازات عن الأجزاء المتحركة. فقد تعلق الملابس الفضفاضة أو الجواهر أو الشعر الطويل في الأجزاء المتحركة.
- يجب اتخاذ إجراءات الرعاية لضمان عدم تسبب الشيقاق في أي خطر.

**1.7 مخاطر الضوضاء**

- يمكن أن يتسبب التعرض لمستويات مرتفعة من الضوضاء إلى فقد دائم في السمع بما يسبب الإعاقة فيه وإلى غير ذلك من المشكلات، مثل طنين الأذن (الرنين أو الصفير أو الأزيز أو الطنين في الأذنين). وبالتالي، من الضروري تقييم المخاطر واستخدام الضوابط المناسبة التي تتناسب مع هذه المخاطر.
- يمكن أن تشمل الضوابط المناسبة للحد من المخاطر على إجراءات مثل استخدام مواد التخمين من أجل منع قطع العمل من "الرنين".
- استخدم وسائل حماية السمع وفقًا لتعليمات صاحب العمل وحسب الضرورة بموجب لوائح الصحة المهنية ولوائح السلامة المتبعة.
- قم بتشغيل الأداة والحفاظ عليها وفقًا للتوصيات الواردة في دليل التعليمات، من أجل الحيلولة دون أي زيادة غير ضرورية في مستوى الضوضاء.
- تحقق من تركيب كاتم الصوت في مجمع الشيقاق في مكانه ومن أنه في حالة عمل جيدة عند تشغيل الأداة.

**1.8 مخاطر الاهتزاز**

- يمكن أن يتسبب التعرض للاهتزاز في إصابة الأعصاب بأضرار تسبب الإعاقات وكذلك بأضرار في إمداد الدم لليدين والذراعين.
- ارتد الملابس الدافئة أثناء العمل في ظروف الطقس البارد، وحافظ على جفاف ودفع يديك.
- إذا شعرت بالخطر أو الوخز أو الألم أو بابيضاض في بشرة الأصابع أو اليدين، فتوقف عن استخدام الأداة، وأخبر صاحب العمل واستشر طبيبك.
- متى أمكن، ادعم وزن الأداة من خلال الوقوف أو الشد أو التوازن، نظرًا لأنك يمكنك حينها الإمساك بالأداة بشكل أخف لدعماها.

**1.9 تعليمات السلامة الإضافية لأدوات الطاقة الهوائية**

- يجب ألا يتجاوز هواء إمداد التشغيل 7 بارات (100 رطل لكل بوصة مربعة).
- يمكن أن يتسبب الهواء المضغوط في التعرض لإصابات خطيرة.
- لا تترك أداة التشغيل بدون رقابة أبدًا. افصل خرطوم الهواء عندما لا تكون الأداة قيد الاستخدام أو قبل تغيير الملحقات أو أثناء إجراء عمليات الإصلاح.
- لا تسمح بوضع فتحة عادم الهواء الموجودة في مجمع الشيقاق باتجاه عمال التشغيل أو غيرهم من الأشخاص المتواجدين. لا تقم بتوجيه الهواء نحو نفسك أو نحو أي شخص آخر على الإطلاق.
- الخراطيم غير المحكمة يمكن أن تسبب في إصابات خطيرة. دائمًا افحص الخراطيم والتريكات بحثًا عن أي أضرار أو عدم إحكام في التثبيت.
- قبل الاستخدام، افحص خطوط الهواء بحثًا عن أي تلف، ويجب تثبيت جميع الوصلات. تجنب إسقاط الأشياء الثقيلة على الخراطيم. فقد يؤدي الاصطدام الشديد إلى إحداث تلف داخلي وعطل مبكر في الخرطوم.
- يجب توجيه الهواء البارد بعيدًا عن اليدين.
- عندما يتم استخدام قوارن التثني العامة (قوارن المشابك)، يجب أن يتم تركيب مسامير القفل كما يجب استخدام كابلات السلامة السوطية من أجل الحماية من احتمالية قتل اتصال الخرطوم بالأداة أو اتصال الخراطيم ببعضها البعض.
- لا ترفع أداة التركيب مستخدمًا الخرطوم. واستخدم دائمًا مقبض أداة التركيب.
- يجب ألا يتم سد فتحات التهوية أو تغطيتها.
- تخلص من الأتربة والأجسام الغريبة من النظام الهيدروليكي للأداة، لأن هذا سيؤدي إلى تعطل الأداة.

تتميز سياسة **STANLEY Engineered Fastening** بالتحسين والتطوير المستمر للمنتجات، وهي تحتفظ بحقوقها في تغيير مواصفات أي منتج دون إخطار مسبق.

## 2. المواصفات

الأدوات XT3 و XT4 من نوع ProSet® هي أدوات تعمل بالطاقة المائية الهوائية وتم تصميمها لتثبيت البراشيم العمياء من نوع Stanley Engineered Fastening بسرعة كبيرة. وتتميز هذه الأدوات بنظام فراغي لتثبيت البراشيم والتجميع الخالي من المشكلات للشياق المستخدمة بغض النظر عن اتجاه الأداة.

وعندما يتم تركيب أداة الأنف المناسبة، يمكن استخدام الأدوات XT3 و XT4 من نوع ProSet® لتثبيت البراشيم العمياء في نطاق قطر 4.0 مم إلى قطر 6.4 مم. للاطلاع على قائمة تضم جميع البراشيم التي يمكن تثبيتها أرجع إلى الجدول الموجود في صفحة 10.

يجب اتباع تحذيرات السلامة في الصفحتين 4 و 2 في جميع الأوقات.

يجب عدم استخدام الأداة في الأجواء الرطبة أو في وجود غازات أو سوائل قابلة للاشتعال.

### 2.1 مواصفات الأداة

XT4		XT3		
قوة السحب: عند 5.5 بارًا	17.0 كيلو نيوتن	3822 رطل قوة	23.0 كيلو نيوتن	5193 رطل قوة
ضغط إمداد الهواء: من الحد الأدنى إلى الحد الأقصى.	5.0-7.0 بارات	72.5-101.5 رطل قوة/بوصة مربعة	5.0-7.0 بارات	72.5-101.5 رطل قوة/بوصة مربعة
ضغط الزيت: السحب عند 5.5 بار	290 بار	4206 رطل قوة/بوصة مربعة	395 بار	5729 رطل قوة/بوصة مربعة
الشوطف: شوطف الحد الأدنى للمكبس	26.0 مم	1.02 بوصة	18.0 مم	0.91 بوصة
الوزن: شامل معدة الأنف	2.24 كجم	4.94 أرطال	2.26 رطل	4.98 أرطال
الوزن: بدون أداة الأنف	2.00 كجم	4.41 رطل	2.02 كجم	4.41 رطل
الحجم بدون هواء: عند 5.5 بارًا	6.3 لتر	384.4 بوصة مكعبة	6.3 لتر	384.4 بوصة مكعبة
زمن الدورة: تقريبًا	0.9 ثانية			1.0 ثانية

XT4	XT3	تم تحديد قيم الضوضاء وفقًا لاختبارات الضوضاء وفقًا للمعيار ISO 3744 و ISO 15744.	
89.7 ديسيبل (أ)	90.3 ديسيبل (أ)	$k_{WA} =$ الشك في الضوضاء: 3.0 ديسيبل (أ)	مستوى طاقة الصوت المقدر "A" بالديسيبل (أ)، $L_{WA}$
78.7 ديسيبل (أ)	79.3 ديسيبل (أ)	$k_{PA} =$ الشك في الضوضاء: 3.0 ديسيبل (أ)	مستوى ضغط صوت الانبعاثات المقدر "A" في محطة العمل بالديسيبل (A)، $L_{PA}$
81.5 ديسيبل (أ)	82.7 ديسيبل (ج)	$k_{PC} =$ الشك في الضوضاء: 3.0 ديسيبل (ج)	مستوى ذروة ضغط صوت الانبعاثات المقدر "C" بالديسيبل (ج)، $L_{PC}$ الذروة

XT4	XT3	تم تحديد قيم الاهتزاز وفقًا لاختبارات الاهتزاز وفقًا للمعيار ISO 5349 و ISO 20643.	
1.80 م/ث <sup>2</sup>	1.41 م/ث <sup>2</sup>		مستوى انبعاثات الاهتزاز، $a_{hd}$
0.90 م/ث <sup>2</sup>	0.70 م/ث <sup>2</sup>		اهتزاز مشكوك فيه: بالألف
قيم انبعاثات الاهتزازات المعلن عنها وفقًا للمعيار EN 12096			

قطر البرشام بالمليمتر [البوصة]										نوع البراشيم	
12	11	10	9	8	7	6,4 [4\1]	6	4,8 [16\3]	4,3		4 [32\5]
						●		●**		●*	نهاية مفتوحة
						●		●**		●*	نهاية مغلقة
						●		●		●*	HR
						● (3)					HS
						●		●**		●*	المقبض المتعدد
								●		●*	TL
						●		●		●*	T-Rivet (Emhart)
						●		●		●*	مدك ذاتي
						3 (3)					Ultra Grip (UG) (NPR)
						● (3)					CD
						● (2)		● (2)		● (2)	Avex®
						● (1)(3)		● (2)		● (2)	Stavex®
							● (2)	● (2)		● (2)	Avinox®/ Avibulb®
						● (1)(3)					Avinox®XT / Avibulb®XT
								● (2)		● (2)	LSR/Bulbex®
								● (2)	● (2)		T-Lok®
						● (2)		● (2)		● (2)	Avdel® SR
						● (1)(3)					Hemlok®
						3 (1) (3)		3 (2)			Interlock®
						4 (3)		● (3)			Maxlok®
						3 (1) (3)		3 (1) (2)			Monobolt®
		4 (1)(3)									Avtainer®
		4 (1)(3)	● (1)(3)	● (1)(3)	● (1)(3)		● (1)(3)				Avseal® (STD)
4 (1) (3)	4 (1) (3)	● (1)(3)	● (1)(3)	● (1)(3)							Avseal® (ضغط منخفض)
						● (2)		● (2)		● (2)	Q Rivet
						● (1)(2)		● (1)(2)			T Rivet (Avdel)
						● (2)		● (2)			Avdelmate®
						3 (2)		3 (2)			Klamp-Tite® BAPK
						3 (1) (2)		3 (1) (2)			Klamp-Tite® BAPKTR
						4 (3)		● (3)			Avdelok®

\* استخدم الفكين 46-PRG540 ومجموعة أداة دفع الفك 064-FAN276

\*\* استخدم الفكين 46-PRG540.

(1) مطلوب قطعة أنف غير معيارية

(2) تتاح أداة الأنف من نوع بديل

(3) مطلوب معدة أنف غير معيارية.

● قابل للتطبيق للأداتين XT3 و XT4

3 قابل للتطبيق للأداة XT3 فقط

4 قابل للتطبيق فقط لأداة XT4

للحصول على مجموعة كاملة متوافقة من معدات الأنف لكل نوع من أنواع البرشام بالإضافة إلى توجيهات الصيانة والتركييب يُرجى الرجوع إلى دليل أدوات الأنف ProSet® رقم 07900-09414

### 2.3 محتويات العلبة

- أداة براشيم عمياء XT3 أو XT4 واحدة طراز ProSet®.
- مجموعة من معدات الأنف المعيارية وقطع الأنف للبراشيم قياس 4.8 مم [3/16 بوصة]، 6.4 مم [1/4 بوصة].
- دليل تعليمات مطبوع - معتمد إقليمي.

### 2.4 قائمة المحتويات الرئيسية

راجع الشكلين 1 و2، والجدول أدناه.

البنء	رقم الجزء	الوصف	الكمية
1	76003-15000*	معدة الأنف المعيارية	1
2	76003-02022	خطاف التعليق	1
3	76003-05200	مجمع الشياق	1
4	07001-00405	مقيس الزيت	1
5	07003-00194	القفل	1
6	76003-02008	زناد التشغيل	1
7	76003-03700	صمام التشغيل/إيقاف التشغيل	1
8	71210-02103	صمولة التثبيت	1

### 2.5 معدة الأنف المعيارية

راجع الشكل 2، والجدول أدناه.

البنء	رقم الجزء	الوصف	الكمية
1c	PRN614	قطعة الأنف - 4.8 مم [3/16 بوصة] (مثبتة)	1
1d	PRN811	قطعة الأنف - 6.4 مم [1/4 بوصة]	1
1e	76003-15001	علبة الأنف	1
1f	07003-00067	حلقة O	1
1 جم	DPN276-001	موجه فك الآلة	1
1h	PRG540-44	الفكين	مجموعة 1
1i	DPN276-006	أداة دفع الفك	1
1j	DPN900-060	حلقة O	1
1k	DPN901-019	زنبرك أداة دفع الفك	1
1l	76003-15002	رأس السحب	1
1 م	76003-15004	قفل موجه الفك	1
1n	DPN901-020	زنبرك	1
1o	76003-15003	مهايئ رأس السحب	1
1p	07003-00277	حلقة O	1

للحصول على معدات أنف إضافية يُرجى الرجوع إلى دليل معدة الأنف ProSet® رقم 07900-09414 أو زيارة الموقع [www.stanleyengineeredfastening.com/resource-center/document-library](http://www.stanleyengineeredfastening.com/resource-center/document-library) للحصول على قائمة كاملة بملحقات المعدة، يُرجى الرجوع إلى دليل ملحقات 07900-09415، ProSet®. \* لا يتم توفير أداة الأنف مع أداة القاعدة (Proset XT3 (76003-01000) وأداة القاعدة (Proset XT4 (76004-01000).



### 3. تثبيت الأداة

مهم- اقرأ تحذيرات السلامة الموجودة في الصفحتين 6 و 8 بعناية قبل إجراء الصيانة.

مهم - يجب إيقاف إمداد الهواء أو فصله قبل تركيب مجموعة الأنف أو إزالتها.

#### 3.1 أداة الأنف (راجع الشكل 2)

تشير أرقام البنود المظللة إلى العناصر الموجودة في الشكلين 1 و 2، والجداول الموجودة في الصفحة 11. يتم توريد الأداة مثبتة مسبقاً بقطعة الأنف للبراشيم 4 م [3/16 بوصة]. يتم توفير قطعة أنف إضافية واحدة للبراشيم مقاس 6.4 مم [1/4 بوصة] بشكل منفصل.

#### تركيب قطعة الأنف

- يجب فصل مصدر إمداد الهواء.
- حدد قطعة الأنف الصحيحة لسمولة البرشام المراد تركيبها.
- قم بإزالة علبة الأنف (1e)، بما في ذلك قطعة الأنف 1a أو b أو c أو d وحلقة (1f) (O)
- قم بإزالة قطعة الأنف (1a) أو b أو c أو d من علبة الأنف (1e)
- حدد قطعة الأنف ذات الحجم المناسب وقم بتركيبها في الاتجاه المعاكس.

#### إزالة معدات الأنف بالكامل.

- يجب فصل مصدر إمداد الهواء.
- قم بإزالة علبة الأنف (1e) بما في ذلك قطعة الأنف 1a أو b أو c أو d وحلقة (1f) (O) من الأداة.
- اسحب قفل موجه فك الآلة للخلف (1m) عكس اتجاه الزنبرك (1n) ثم قم بإزالة موجه الفك (1g).
- قم بإزالة الفكين (1h) من موجه الفك (1g).
- قم بإزالة أداة دفع الفك (1i)، وحلقة (1j) (O) و زنبرك دافع الفك (1k) من رأس السحب (1l).
- قم بإزالة مجموعة رأس السحب (1q) من مكبس الأداة باستخدام المفكات

#### تركيب معدة الأنف بالكامل

- يجب فصل مصدر إمداد الهواء
- يجب استبدال أي جزء متآكل أو تالف بجزء جديد.
- نظف وافحص أغطية الفك (1h).
- تأكد من عدم تشوه أداة دفع الفك (1i) أو زنبرك أداة دفع الفك (k).
- قم بدهان الفكين بطبقة خفيفة من (1h) زيوت مولي ليثيوم.
- اسحب الفكين (1h) إلى موجه الفك (1g).
- قم بإدخال أداة دفع الفك (1i) وحلقة (1j) (O) داخل رأس السحب (1l).
- اسحب قفل موجه فك الآلة للخلف (1m) ولف موجه الفك (1g) كاملاً على رأس السحب (1l).
- قم بتحريك موجه فك الآلة (1m) وفك موجه الفك جزئياً (1g) حتى تستقر أسنان قفل موجه فك الآلة (1m) في الفتحة التالية في موجه الفك (1g).
- ضع علبة قطعة الأنف (1e) فوق موجه الفك (1g) وإحكام غلقها على الآلة.

يجب صيانة مجموعات الأنف على فترات أسبوعية. يجب الاحتفاظ ببعض الأجزاء الداخلية لمجموعة الأنف وأطراف الأنف لأنك ستحتاج إلى استبدالها بشكل منتظم.

#### 3.2 مزود الهواء (راجع الشكل 3)

المحتويات

- أ. محبس التدفق (يُستخدم أثناء صيانة الفلتر/المنظم أو وحدات التشحيم)
- ب. منظم الضغط والفلتر (تجفيف يومي)
- ج. نقطة تجفيف الإمداد الأساسية
- د. نقطة الانطلاق من المورد الأساسي

- يتم تشغيل جميع الأدوات باستخدام هواء مضغوط بمستوى ضغط أدناه 5.0 بارات.
- منظومات الضغط وأنظمة التزييت/الترشيح التلقائية التي يعين استخدامها في مصدر إمداد الهواء الرئيسي على بُعد 3 أمتار من الأداة (انظر الشكل رقم 3).
- ستتمتع خراطيم إمداد الهواء بمعدل ضغط فعال عند العمل أدناه 150% من أقصى ضغط تم إنتاجه في النظام أو 10 بارات، أيهما كان أعلى.

- يجب أن تكون خراطيم الهواء مقاومة للزيت وذات سطح خارجي مقاوم للكشط ومحمي، لأن ظروف التشغيل قد تؤدي إلى تلف الخراطيم.
- يجب أن تحتوي جميع خراطيم الهواء على تجويف بقطر أدناه 6.4 ملليمتر.
- قم بالفحص بحثًا عن تسريبات الهواء. وإذا كانت الخراطيم والقارنات تالفة، فيجب استبدالها بأخرى جديدة.
- وفي حالة عدم وجود فلتر في منظم الضغط، فقم بتصريف خط الهواء لتفريغه من الماء أو الأوساخ المتراكمة قبل توصيل خرطوم الهواء بالأداة.

### 3.3 مبدأ التشغيل

تنبيه - يُعد ضغط الإمداد الصحيح أمرًا مهمًا لتشغيل أداة التركيب بشكل سليم. وبدون مستويات الضغط الصحيحة، قد تحدث إصابة شخصية أو يلحق تلف بالمعدات.

ويجب ألا يتجاوز ضغط الإمداد مستوى الضغط المسجل في مواصفات أداة التركيب

تشير أرقام البنود المظللة إلى العناصر الموجودة في الشكلين 1 و2، والجداول الموجودة في الصفحة 11.

عند توصيل خرطوم الهواء بالأداة المثبتة، يتم التحكم في دوائر السحب والإعادة من خلال ضغط الزناد (6) الموجود بالمقبض وتحريره.

- يتم فصل مصدر إمداد الهواء.
- قم بتوصيل معدات الأنف المناسبة كما هو مبين في الصفحة 10 و 12.
- قم بتوصيل خرطوم الهواء بصمام تشغيل وإغلاق الهواء (7).
- قم بتوصيل خرطوم الهواء بمصدر الهواء الرئيسي.
- قم بتشغيل مصدر الهواء على الأداة من خلال سحب صمام تشغيل وإيقاف الهواء (7) إلى أعلى.
- والآن يتم تمرير الهواء إلى الأداة ويتم تشغيل نظام التفريغ.
- قم بسحب وتحرير الزناد (6) عدة مرات للشروط الكاملة للأداة لفحص التشغيل. قم بملاحظة تشغيل الأداة. قم بفحص التسريبات الهوائية و/أو السائلة.

## 4. إجراءات عملية التشغيل

### 4.1 عملية تشغيل الأداة (راجع الأشكال 1.4.5.6) لتثبيت صمولة برشام عمياء

- تأكد من تركيب مجمع الشياق (3).
- أدخل شياق البرشام بقطعة الأنف (1a أو b أو c أو d). سيقوم نظام التفريغ بحجز البراشيم في قطعة الأنف.
- قم بوضع الأداة.
- تأكد من وجود مجموعة الأنف بزاوية قائمة (90 درجة) في قطعة العمل.
- اسحب الزناد مع الاستمرار (6) حتى تستقر صمولة البرشام بالكامل في موضع التنفيذ.
- عند وضع صمولة البرشام العمياء موضع التنفيذ الكامل، قم بتحرير الزناد (6). ستعود الأداة تلقائياً إلى الموضع الأولي. يتم إسقاط الشياق تلقائياً إلى مجمع الشياق (3) من خلال نظام التفريغ.
- يجب تفريغ مجمع الشياق قبل امتلاء نصفه.

تنبيه- لا تستخدم القوة عند إدخال مجمع شياق البراشيم أو البراشيم. سيتسبب ذلك في إتلاف الأداة وأو التركيب.

### 4.2 تفريغ مجمع الشياق (راجع الشكل 1)

- تنبيه- لا تستخدم الأداة عند إزالة مجمع الشياق
- تتوافق الأداة مع مجمع الشياق عند التحرير أو التوصيل السريع (3).
- قم بتدوير مجمع الشياق بزاوية 60 درجة للإزالة أو الاستبدال.
- يؤدي إزالة مجمع الشياق (3) من الأداة إلى إيقاف تشغيل البراشيم الهوائية ونظام استخلاص الشياق تلقائياً.
- وعند إعادة تثبيت مجمع الشياق يتم تشغيل نظام التفريغ.

## 5. صيانة الأداة

### 5.1 معدل تكرار الصيانة

يجب إجراء صيانة منتظمة من قِبل أفراد مدربين وفحص شامل سنويًا أو كل 500.000 دورة، أيهما كان أقرب.

فصل مصدر إمداد الهواء



تنبيه - لا تستخدم أبدًا المذيبات أو المواد الكيميائية القاسية الأخرى في تنظيف الأجزاء غير المعدنية بالأداة. فقد تؤدي هذه المواد الكيميائية إلى إضعاف المواد المستخدمة في هذه الأجزاء.



### 5.2 معدة الأنف

يجب صيانة مجموعات الأنف على فترات أسبوعية أو كل 5000 دورة. يجب الاحتفاظ ببعض الأجزاء الداخلية لمجموعة الأنف وقطع الأنف، لأنك ستحتاج إلى استبدالها بشكل منتظم.

- أفضل مصدر إمداد الهواء
- قم بإزالة مجموعة الأنف بالكامل باستخدام الإجراء الموضح في القسم 3.1.
- قم بفحص جميع المكونات. يجب استبدال أي جزء متآكل أو تالف بجزء جديد.
- قم بفحص دقيق للفكين (1h).
- قم بتنظيف جميع الأجزاء باستخدام زيوت مولي ليثيوم (07992-00020) للفكين (1h) وفتحة موجه الفك (1g).
- قم بالتجميع وفقًا لتعليمات التركيب في الجزء 3.1.

### 5.3 الصيانة اليومية

- قبل الاستخدام، افحص الأداة والخرطوم والقارنات بحثًا عن تسرب الهواء أو تسرب الزيوت. وفي حالة تلفها، قم بإزالة الأداة من الخدمة واستبدل العناصر المتأثرة مستخدمًا أجزاء جديدة.
- وفي حالة عدم وجود فلتر في منظم الضغط، فقم بتصريف الهواء لتفريغه من الماء أو الأوساخ المتراكمة قبل توصيل خرطوم الهواء بالأداة. في حالة وجود فلتر، قم بتجفيفه.
- تأكد أن معدة الأنف (1) مناسبة للبراشيم المراد تركيبها وتم تركيبها بشكل صحيح.
- تأكد من مطابقة شوط الأداة للحد الأدنى من المواصفات (راجع الشكل 2.1).
- يجب تركيب مجمع الشياق (3) بالأداة.
- تأكد من إحكام غلق غرفة الهواء على هيكل الأداة.

### 5.4 الصيانة الأسبوعية

- افحص الأداة والخرطوم والقارنات بحثًا عن تسرب الهواء أو تسرب الزيوت. وفي حالة تلفها، قم بإزالة الأداة من الخدمة واستبدل العناصر المتأثرة مستخدمًا أجزاء جديدة.
- للحصول على تعليمات الصيانة وتحديد المشكلات والصيانة الكاملة، يُرجى الرجوع لدليل الصيانة رقم 07900-09410 للأداة XT3 ورقم 07900-09411 للأداة XT4.

للحصول على بيانات الأمان المتعلقة بالزيوت والغازات المستخدمة في هذه الأداة، يُرجى الرجوع لدليل الصيانة رقم 07900-09410 للأداة XT3 ورقم 07900-09411 للأداة XT4.

### 5.5 حماية البيئة

تحقق من الالتزام باللوائح السارية للتخلص من الأجهزة. تخلص من كل الأجهزة التالفة في منشأة معتمدة لتجميع النفايات أو أحد المواقع المعدة لذلك، بحيث لا يتم تعريض الأشخاص والبيئة للمخاطر.

## 6 . بيان المطابقة لتعليمات المجموعة الأوروبية (EC)

نعلن نحن، Stanley Engineered Fastening, Stanley House, Works Road, Letchworth Garden City, Hertfordshire, UK ١٧٠١، المملكة المتحدة، كما نتحمل المسؤولية الكاملة عن أن المنتج:

الوصف:	XT <sup>3</sup> & ProSet <sup>®</sup> XT <sup>4</sup> هي أدوات مانية للبراشرم العمياء
الطراز:	٧٦٠٠٣ / <sup>®</sup> POP-Avdel و ٧٦٠٠٤ / <sup>®</sup> POP-Avdel

الذي يرتبط به هذا الإعلان متوافق مع المعايير المتسقة التالية:

١٢١٠٠:٢٠١٠ ISO	٣٧٤٤:٢٠١٠ EN ISO
١١٢٠٢:٢٠١٠ EN ISO	١٢٠١١-١١٤٨ EN ISO
٤٤١٣:٢٠١٠ EN ISO	١:١٩٩٣-٢٨٦٦٢ BS EN
٤٤١٤:٢٠١٠ EN ISO	A1:٢٠١٢+٢٠٦٤٣:٢٠٠٨ EN ISO
A1:٢٠١٥+٥:٢٠٠٩-٢٨٩٢٧ EN ISO	ES100118-المراجعة 17:2017

تم تأليف الوثائق الفنية وفقاً للملحق رقم ١، القسم ٤، ١، ٧، ١، وفقاً للمعيار التالي:  
EC/٤٢/٢٠٠٦ توجيه الآلات  
الأدوات القانونية لعام ٢٠٠٨ برقم ١٥٩٧ - مراجع لوائح إمداد الآلات (السلامة).

قام الموقع أدناه بإجراء إعلان المطابقة هذا نيابة عن شركة STANLEY Engineered Fastening



أيه كيه سيوراج  
مدير قسم الهندسة، المملكة المتحدة  
Avdel UK Limited, Stanley House, Works Road, Letchworth Garden City, Hertfordshire  
١٧٧٠، المملكة المتحدة

مكان الإصدار:	Letchworth Garden City, UK
تاريخ الإصدار:	٢٠١٧-١٣-٠١

الشخص الموقع أدناه مسؤول عن إعداد الملف الفني للمنتجات المخصصة للبيع في الاتحاد الأوروبي ويقوم بهذا الإعلان نيابة عن شركة Stanley Engineered Fastening.

ماتياس أبيل  
قائد فريق التوثيق الفني  
Stanley Engineered Fastening, Tucker GmbH, Max-Eyth-Str  
٣٥٣٩٤، ألمانيا، Gießen



تتوافق هذه الآلة مع توجيه الآلات EC/٤٢/٢٠٠٦

## 7. إعلان التوافق الخاص بالمملكة المتحدة

نعلن نحن، Stanley Engineered Fastening, Stanley House, Works Road, Letchworth Garden City, Hertfordshire, UK 1JY، المملكة المتحدة، كما نتحمل المسؤولية الكاملة عن أن المنتج:

الوصف: XT<sup>3</sup> ProSet® & XT<sup>4</sup> هي أدوات مانية للبراشيم العمياء  
الطراز: POP-Avdel® / ٧٦٠٠٣ و POP-Avdel® / ٧٦٠٠٤

الذي يرتبط به هذا الإعلان متوافق مع المعايير المحددة التالية:

١٢١٠٠:٢٠١٠ ISO	٣٧٤٤:٢٠١٠ EN ISO
١١٢٠٢:٢٠١٠ EN ISO	١:٢٠١١-١١٤٨ EN ISO
٤٤١٣:٢٠١٠ EN ISO	١:١٩٩٣-٢٨٦٦٢ BS EN
٤٤١٤:٢٠١٠ EN ISO	A1:٢٠١٢+٢٠٦٤٣:٢٠٠٨ EN ISO
A1:٢٠١٥+٥:٢٠٠٩-٢٨٩٢٧ EN ISO	ES100118-17:2017 المراجعة

يتم تجميع الوثائق الفنية وفقاً للوائح توفير الآلات (السلامة) لعام ٢٠٠٨، S.I. ١٥٩٧/٢٠٠٨ (بصيغته المعدلة).

قام الموقع أدناه بإجراء إعلان المطابقة هذا نيابة عن شركة STANLEY Engineered Fastening.



أيه كيه سيوراج

مدير قسم الهندسة، المملكة المتحدة

, Avdel UK Limited, Stanley House, Works Road, Letchworth Garden City, Hertfordshire

١JY SG٦، المملكة المتحدة

مكان الإصدار:

Letchworth Garden City, UK

تاريخ الإصدار:

٢٠١٧-١٣-٠١



هذا الجهاز متوافق مع  
لوائح (السلامة) لتوريد الآلات لعام ٢٠٠٨،  
S.I. ١٥٩٧/٢٠٠٨ (حسب تعديلاته)

## 8. احم استثمارك!

**8.1 ضمان أداة تثبيت البراشميم العمياء® POP®AVDEL**  
تضمن شركة STANLEY Engineered Fastening أن جميع الأدوات الكهربائية قد تم تصنيعها بعناية وأنها خالية من العيوب في موادها وصنعها في ظل الاستخدام العادي والصيانة لمدة سنة (1) واحدة.  
يسري هذا الضمان على فترة الشراء الأولى للأداة للاستخدام الأصلي فقط.

### الاستثناءات:

#### التآكل والاهتراء الطبيعي.

يُستثنى من تغطية الضمان عمليات الإصلاح والصيانة الدورية واستبدال أجزاء بسبب الاهتراء والتآكل الطبيعي.

#### سوء الاستخدام.

يُستثنى من تغطية الضمان العيوب أو الأضرار الناجمة عن التخزين أو التشغيل غير السليم أو ناجمة عن سوء استخدام أو حادث أو إهمال، كالأضرار المادية.

#### التعديل أو الصيانة غير المعتمدة.

يُستثنى من تغطية الضمان العيوب أو الأضرار الناجمة عن عمليات الصيانة أو اختبارات الضغط أو التركيب أو الصيانة أو التغيير أو التعديل بواسطة أي طرف آخر خلاف شركة STANLEY Engineered Fastening أو مراكز الصيانة المعتمدة التابعة لها.

كما يُستثنى من هذا الضمان جميع الضمانات الأخرى، الصريحة أو الضمنية، بما في ذلك أي ضمانات خاصة بالترويج أو الملائمة لأغراض تم استثنائها في هذا الضمان.

في حالة عدم توافر شروط الضمان الخاص بهذه الأداة، يُرجى إعادتها على الفور إلى أقرب موقع لمركز خدمة معتمد تابع لمصنعنا. وللاطلاع على قائمة بمراكز الصيانة المعتمدة لمنتج POP®Avdel® في الولايات المتحدة أو كندا، يُرجى الاتصال بنا على رقم الاتصال المجاني 877)364 2781.

ومن خارج الولايات المتحدة و كندا، يُرجى زيارة موقعنا على الويب [www.StanleyEngineeredFastening.com](http://www.StanleyEngineeredFastening.com) للتعرف على أقرب موقع تابع لشركة STANLEY Engineered Fastening.

وحينئذٍ ستتكفل شركة STANLEY Engineered Fastening وبدون أي تكاليف باستبدال أي جزء أو أجزاء نكتشف أنها معيبة بسبب مادة أو صنعة معيبة وإعادة الأداة التي تم دفع الأموال لها مسبقًا. وهذا هو التزامنا الوحيد بموجب هذا الضمان.  
لا تتحمل شركة STANLEY Engineered Fastening تحت أي ظرف من الظروف أي مسؤولية عن الأضرار التبعية أو الخاصة التي تنشأ عن شراء هذه الأداة أو استخدامها.

## 8.2 تسجيل أداة تثبيت صمولة برشم عمياء عبر الإنترنت.

لتسجيل الضمان الخاص بك عبر الإنترنت، يُفضل زيارتنا على الموقع

<http://www.stanleyengineeredfastening.com/popavdel-powertools/warranty-card>

شكرًا لاختيارك الأداة التي تحمل العلامة التجارية® POP®Avdel من إنتاج STANLEY Engineered Fastening.

©2017 Stanley Black & Decker inc.

Всички права запазени.

Предоставената информация не може да бъде възпроизвеждана и/или оповестена по никакъв начин и чрез никакви средства (електронно или механично) без предварително изрично и писмено разрешение от STANLEY Engineered Fastening. Предоставената информация се основава на данните, известни в момента на пускането на пазара на този продукт. STANLEY Engineered Fastening провежда политика на постоянно усъвършенстване на продукта и следователно продуктите могат да бъдат променяни. Предоставената информация е приложима за продукта, както се предлага от STANLEY Engineered Fastening. Ето защо, STANLEY Engineered Fastening не може да носи отговорност за вреди, причинени от отклонения от първоначалните спецификации на продукта.

Наличната информация е съставена много внимателно. Въпреки това, STANLEY Engineered Fastening няма да поеме никаква отговорност по отношение на каквито и да било грешки в информацията, нито за последствията от тях. STANLEY Engineered Fastening няма да приеме никаква отговорност за вреди, причинени от дейности, извършвани от трети лица. Работните наименования, търговските наименования, търговските марки и т.н., използвани от STANLEY Engineered Fastening, не трябва да се считат за свободни, съгласно законодателството по отношение на защитата на търговските марки.

## СЪДЪРЖАНИЕ

<b>1.</b>	<b>ОПРЕДЕЛЕНИЯ ЗА БЕЗОПАСНОСТ .....</b>	<b>2</b>
1.1	ПРАВИЛА ЗА ОБЩА БЕЗОПАСНОСТ .....	2
1.2	ОПАСНОСТИ ОТ ПРОЕКТИЛ .....	2
1.3	ОПАСНОСТИ ПРИ РАБОТА.....	3
1.4	ОПАСНОСТИ ОТ ПОВТОРЯЕМИ ДВИЖЕНИЯ.....	3
1.5	ОПАСНОСТИ ОТ АКЕСОРИ.....	3
1.6	ОПАСНОСТИ НА РАБОТНОТО МЯСТО .....	3
1.7	ОПАСНОСТИ ОТ ШУМ.....	4
1.8	ОПАСНОСТИ ОТ ВИБРАЦИИ .....	4
1.9	ДОПЪЛНИТЕЛНИ ИНСТРУКЦИИ ЗА БЕЗОПАСНОСТ ЗА ПНЕВМАТИЧНИ ЕЛЕКТРОИНСТРУМЕНТИ .....	4
<b>2.</b>	<b>СПЕЦИФИКАЦИИ.....</b>	<b>5</b>
2.1.	СПЕЦИФИКАЦИИ НА ИНСТРУМЕНТА .....	5
2.2	СПЕЦИФИКАЦИИ ЗА ПОСТАВЯНЕ.....	6
2.3	СЪДЪРЖАНИЕ НА ОПАКОВКАТА.....	7
2.4	СПИСЪК С ОСНОВНИ ДОКУМЕНТИ .....	7
2.5	СТАНДАРТНО НОСОВО ОБОРУДВАНЕ.....	7
<b>3.</b>	<b>ПОДГОТОВКА НА ИНСТРУМЕНТА .....</b>	<b>8</b>
3.1	НОСОВО ОБОРУДВАНЕ (Спр. фиг. 2).....	8
3.2	ПОДАВАНЕ НА ВЪЗДУХ (Спр. фиг. 3) .....	8
3.3	ПРИНЦИП НА РАБОТА .....	9
<b>4.</b>	<b>ПРОЦЕДУРА ЗА РАБОТА.....</b>	<b>10</b>
4.1	РАБОТА НА ИНСТРУМЕНТА (Справка на фиг. 1, 4, 5, 6).....	10
4.2	ИЗПРАЗВАНЕ НА ДОРНИКОВИЯ КОЛЕКТОР (Спр. фиг. 1) .....	10
<b>5.</b>	<b>СЕРВИЗИРАНЕ НА ИНСТРУМЕНТА.....</b>	<b>11</b>
5.1	ЧЕСТОТА НА ПОДДРЪЖКА .....	11
5.2	НОСОВО ОБОРУДВАНЕ .....	11
5.3	ЕЖЕДНЕВНО СЕРВИЗИРАНЕ.....	11
5.4	СЕДМИЧНО СЕРВИЗИРАНЕ .....	11
5.5	ЗАЩИТА НА ОКОЛНАТА СРЕДА .....	11
<b>6.</b>	<b>ЕО ДЕКЛАРАЦИЯ ЗА СЪОТВЕТСТВИЕ.....</b>	<b>12</b>
<b>7.</b>	<b>ДЕКЛАРАЦИЯ ЗА СЪОТВЕТСТВИЕ В Обединеното кралство .....</b>	<b>13</b>
<b>8.</b>	<b>ЗАЩИТЕТЕ СВОЯТА ИНВЕСТИЦИЯ! .....</b>	<b>14</b>
8.1	POP®AVDEL® ГАРАНЦИЯ НА ИНСТРУМЕНТА ЗА СЛЕПИ НИТОВЕ.....	14
8.2	РЕГИСТРИРАЙТЕ ОНЛАЙН СВОЯ ИНСТРУМЕНТ ЗА СЛЕПИ НИТОВЕ .....	14





Тази инструкция за експлоатация трябва да се прочете от всяко лице, което инсталира или работи с този инструмент, с особено внимание за следните правила за безопасност.



По време на работа на инструмента винаги носете устойчива на удар защита. Степента на необходимата защита трябва да бъде оценена за всяка употреба.



Използвайте защита на слуха в съответствие с инструкциите за служителите и според изискванията на правилата за безопасност на труда.



Използването на инструмента може да изложи ръцете на оператора на опасности, включително смачкване, удар, порязване, ожулване и горещина. Носете подходящи ръкавици за защита на ръцете.

## 1. ОПРЕДЕЛЕНИЯ ЗА БЕЗОПАСНОСТ

Дефинициите по-долу описват нивото на сериозност за всяка сигнална дума. Моля, прочетете ръководството и внимавайте за тези символи.



**ОПАСНОСТ:** Показва неминуемо опасна ситуация, която ако не се избегне, ще доведе до смърт или опасно нараняване.



**ПРЕДУПРЕЖДЕНИЕ:** Непосредствено опасна ситуация, която ако не бъде избегната, може да доведе до смърт или тежки наранявания.



**ВНИМАНИЕ:** Показва потенциално опасна ситуация, която ако не бъде избегната, може да доведе до леки или средни наранявания.

**ВНИМАНИЕ:** Използван без символа за сигнал за безопасност показва потенциално опасна ситуация, която ако не бъде избегната, може да доведе до щети.

**Неправилното функциониране или поддръжка на този продукт може да доведе до сериозни наранявания и материални щети.**

**Прочетете и разберете всички предупреждения и инструкции за работа, преди да използвате тази техника. При използване на електрически инструменти, винаги трябва да се вземат основни предпазни мерки за безопасност за намаляване на риска от лично нараняване.**

### ЗАПАЗЕТЕ ВСИЧКИ ПРЕДУПРЕЖДЕНИЯ И ИНСТРУКЦИИ ЗА БЪДЕЩИ СПРАВКИ

#### 1.1 ПРАВИЛА ЗА ОБЩА БЕЗОПАСНОСТ

- За множество опасности прочетете и разберете инструкциите за безопасност преди да инсталирате, експлоатирате, ремонтирате, поддържате, сменят аксесоарите или работите в близост до инструмента. Неспазването на това може да доведе до сериозни телесни наранявания.
- Само квалифицирани и обучени оператори трябва да инсталират, настройват или използват инструмента.
- Да не се използва извън предназначението според дизайна за поставяне на слепите нитове на STANLEY Engineered Fastening.
- Използвайте само части, крепежни елементи и аксесоари, препоръчани от производителя.
- НЕ изменяйте инструмента. Модификациите могат да намалят ефективността на мерките за безопасност и да увеличат рисковете за оператора. Всяко изменение на този инструмент, което се предприема от клиента е изцяло на негова отговорност и води до отпадане на всички приложими гаранции.
- Не изхвърляйте инструкциите за безопасност; дайте ги на оператора.
- Не използвайте инструмента, ако е повреден.
- Преди употреба, проверявайте за раз местване или заклиняване на движещи се части, счупвания на части и всякакви други обстоятелства, които могат да се отразят върху работата на инструмента. При повреда, поправете инструмента, преди повторна употреба. Отстранете всеки регулиращ или гаечен ключ, преди употреба.
- Инструментите трябва да се проверяват периодично, за да се провери дали класифицирането и маркировките, изисквани от тази част от ISO 11148, са четливо отбелязани на инструмента. Работодателят/потребителят се свързва с производителя, за да получи резервни етикети за подмяна, когато е необходимо.
- Инструментът трябва да се поддържа в безопасно работно състояние по всяко време и да се преглежда редовно за повреди и функция от обучен персонал. Всяка процедура на разглобяване трябва да бъде извършвана само от обучен персонал. Не разглобявайте този инструмент, без предварителна справка с инструкциите за поддръжка.

#### 1.2 ОПАСНОСТИ ОТ ПРОЕКТИЛ

- Откачете въздушното подаване от инструмента, преди извършване на всяко техническо обслужване, опит за регулиране, монтаж или сваляне на носовата сглобка или аксесоари.

- Имайте предвид, че повреда на детайла или аксесоарите или дори на самия поставен инструмент, може да генерира проектили с висока скорост.
- По време на работа на инструмента винаги носете устойчива на удар защита. Степента на необходимата защита трябва да бъде оценена за всяка употреба.
- Едновременно, трябва да се оцени и рискът за другите.
- Уверете се, че детайлът е здраво фиксиран.
- Проверете дали средствата за защита от изхвърляне на крепежен елемент и/или дорник са налични и работят.
- НЕ използвайте инструмента без монтиран дорников колектор.
- Предупреждавайте за възможно насилствено изхвърляне на дорници от предната част на инструмента.
- НЕ работете с инструмент, който е насочен директно към човек(хора).

### **1.3 ОПАСНОСТИ ПРИ РАБОТА**

- Използването на инструмента може да изложи ръцете на оператора на опасности, включително смачкване, удар, порязване, ожулване и горещина. Носете подходящи ръкавици за защита на ръцете.
- Операторите и обслужващият персонал трябва да могат физически да се справят с по-голямата част, теглото и мощността на инструмента.
- Дръжте правилно инструмента; бъдете готови да противодействате на нормални или резки движения и работете с двете си ръце.
- Пазете дръжките на инструмента сухи, чисти, и свободни от масло и смазка.
- Поддържайте балансирано положение на тялото и сигурна опора при работа с инструмента.
- Освободете устройството за пускане и спиране в случай на прекъсване на въздушното захранване.
- Използвайте само смазочни материали, препоръчани от производителя.
- Трябва да се избягва контакт с хидравличната течност. За да се снижи до минимум възможността от обриви, в случай на евентуален контакт, трябва да се измиете добре.
- Информационни Листове за Безопасност на Материалите за всички хидравлични масла и смазочни материали са на разположение при поискване от доставчика на вашия инструмент.
- Избягвайте неподходящи пози, тъй като е вероятно в тези позиции да не можете да противодействате на нормалното или неочаквано движение на инструмента.
- Ако инструментът е фиксиран към устройство за окачване, уверете се, че фиксацията е сигурна.
- Внимавайте за риск от счупване или прищипване, ако носовото оборудване не е монтирано.
- НЕ работете с инструмента със свален носов корпус.
- Необходимо е осигуряване на достатъчно пространство за ръцете на оператора на инструмента, преди работа.
- При пренос на инструмента от място на място, дръжте ръцете си далеч от спусъка, за да се избегне случайно активизиране.
- НЕ насилвайте инструмента и не го използвайте вместо чук.
- Трябва да се внимава особено с изтощените дорници, за да не се създадат опасни условия.
- Дорниковият колектор трябва да се изпразва, когато е приблизително наполовина пълен.

### **1.4 ОПАСНОСТИ ОТ ПОВТОРЕМИ ДВИЖЕНИЯ**

- При използване на инструмента, операторът може да изпита дискомфорт в ръцете, раменете, шията или други части на тялото.
- Докато използва инструмента, операторът трябва да заеме удобна поза, като същевременно поддържа сигурна опора и избягва неудобни или небалансирани пози. Операторът трябва да промени позата по време на по-продължителни задачи; това може да помогне да се избегне дискомфорт и умора.
- Ако операторът изпитва симптоми като постоянен или повтарящ се дискомфорт, болка, пулсиране, болки, изтръпване, усещане за парене или скованост, тези предупредителни знаци не трябва да се игнорират. Операторът трябва да уведоми работодателя и да се консултира с квалифициран медицински специалист.

### **1.5 ОПАСНОСТИ ОТ АКСЕСОРИ**

- Изключете инструмента от подаването на въздух, преди да монтирате или извадите носа или аксесоара.
- Използвайте само размери и видове аксесоари и консумативи, препоръчани от производителя на инструмента; не използвайте други видове или размери аксесоари или консумативи.

### **1.6 ОПАСНОСТИ НА РАБОТНОТО МЯСТО**

- Подхлъзвания, препъвания и падания са основни причини за наранявания на работното място.

Внимавайте за хлъзгави повърхности, причинени от използването на инструмента, както и опасности от препъване, причинени от въздушния кабел или хидравличния маркуч.

- Продължете внимателно в непозната среда. Може да има скрити опасности, като електричество или други комунални линии.
- Инструментът не е предназначен за използване в потенциално експлозивна среда и не е изолиран срещу контакт с електричество.
- Времето се, че няма електрически кабели, газови тръби и др., които могат да причинят опасност поради повреда при използване на инструмента.
- Обличайте се подходящо. Не носете висящи дрехи или бижута. Пазете косата, дрехите и ръкавиците си далеч от движещите се части. Висящите дрехи, бижутерия или дълги коси могат да бъдат захванати от движещи се части.
- Трябва да се внимава особено с изтощените дорници, за да не се създадат опасни условия.

### **1.7 ОПАСНОСТИ ОТ ШУМ**

- Излагането на високи нива на шум може да причини трайни, деактивиращи загуби на слуха и други проблеми, като шум в ушите (звънене, бръмчене, свистене или бучене в ушите). Следователно оценката на риска и прилагането на подходящ контрол за тези опасности са от съществено значение.
- Подходящите контроли за намаляване на риска могат да включват действия, като шумозаглушаващи материали, за да се предотврати „звънене“ на детайлите.
- Използвайте защита на слуха в съответствие с инструкциите за служителите и според изискванията на правилата за безопасност на труда.
- Работете и поддържайте инструмента, както е препоръчано в ръководството за употреба, за да предотвратите ненужно увеличаване на нивото на шума.
- Уверете се, че шумозаглушителят в колектора на дорника е на мястото си и в добро състояние, когато инструментът работи.

### **1.8 ОПАСНОСТИ ОТ ВИБРАЦИИ**

- Излагането на вибрации може да причини увреждане на нервите и кръвоснабдяването на ръцете.
- Носете топли дрехи, когато работите в студени условия и дръжте ръцете си топли и сухи.
- Ако усетите изтръпване, болка или избулване на кожата на пръстите или ръцете, спрете да използвате инструмента, уведомяте вашия работодател и се консултирайте с лекар.
- Където е възможно, поддържайте теглото на инструмента в стойка, обтегач или балансиращ механизъм, тъй като след това може да се използва по-лек захват за поддържане на инструмента.

### **1.9 ДОПЪЛНИТЕЛНИ ИНСТРУКЦИИ ЗА БЕЗОПАСНОСТ ЗА ПНЕВМАТИЧНИ ЕЛЕКТРОИНСТРУМЕНТИ**

- Работното подаване на въздух не трябва да надвишава 7bar (100 PSI).
- Въздухът под налягане може да причини тежки наранявания.
- Никога не оставяйте без наблюдение работещ инструмент. Изключете въздушния маркуч, когато инструментът не се използва, преди смяна на аксесоарите или при извършване на ремонт.
- НЕ позволявайте на отворите за отработен въздух на дорниковия колектор да сочат по посока на оператора или други лица. Никога не насочвайте въздуха към вас или други лица.
- Размахването на маркуча може да причини тежки наранявания. Винаги проверявайте за повредени или разхлабени маркучи и фитинги.
- Преди употреба, прегледайте въздушните линии за щети, всички връзки трябва да бъдат защитени. Не изпускайте тежки предмети върху маркучите. Всяко рязко въздействие може да предизвика вътрешни повреди и да доведе до преждевременна повреда на маркуча.
- Студеният въздух трябва да бъде насочен далеч от ръцете.
- Всеки път, когато се използват универсални усукани съединители (ноктови съединители), се монтират заключващи щифтове и се използват защитни кабели, за да се предпазят от евентуална повреда на свързването на маркуч към инструмент или маркуч към маркуч.
- НЕ повдигайте инструмента за поставяне за маркуча. Винаги използвайте дръжката на инструмента за поставяне.
- Вентилационните отвори не трябва да бъдат блокирани или покрити.
- Пазете мръсотията и чуждите тела далече от хидравличната система на инструмента, тъй като това ще доведе до повреда на инструмента.

**Политиката на STANLEY Engineered Fastening е за постоянно развитие и подобряване на продуктите и ние си запазваме правото да променяме спецификациите на всеки продукт без предварително известие.**

## 2. СПЕЦИФИКАЦИИ

ProSet® XT3 и XT4 са хидро-пневматични инструменти, предназначени за поставяне на Stanley инженерно закрепване на слепи нитове с висока скорост. Инструментите разполагат с вакуумна система за задържане на нитове и безпроблемно събиране на изразходваните дорници, независимо от ориентацията на инструмента.

При съчетаване на съответното носово оборудване, ProSet® XT3 и XT4 може да се използват за поставяне на нитове в обхвата на  $\varnothing$  4,0 мм до  $\varnothing$  6,4 мм. Вижте за справка таблицата на страница 10 за списък на всички нитове, които могат да се поставят.

Предупрежденията за безопасност на страници 2 и 4 трябва да се следват по всяко време.

**НЕ** използвайте в мокри условия или при наличието на запалителни течности или газове.

### 2.1. СПЕЦИФИКАЦИИ НА ИНСТРУМЕНТА

	XT3		XT4	
<b>Сила на издърпване:</b> @ 5,5 bar	17,0 kN	3822 lbf	23,0 kN	5193 lbf
<b>Налягане на въздушното подаване:</b> Мин. до Макс.	5,0 - 7,0 бара	72,5 - 101,5 lbf/in <sup>2</sup>	5,0 - 7,0 бара	72,5 - 101,5 lbf/in <sup>2</sup>
<b>Налягане на маслото:</b> Издърпване @ 5,5 bar	290 бара	4206 lbf/in <sup>2</sup>	395 бара	5729 lbf/in <sup>2</sup>
<b>Удар:</b> Минимален ход на буталото	26,0 мм	1,02 in.	18,0 мм	0,91 in.
<b>Тегло:</b> Вкл. носовото оборудване	2,24 kg	4,94 lb	2,26 kg	4,98 lb
<b>Тегло:</b> без носовото оборудване	2,00 kg	4,41 lb	2,02 kg	4,41 lb
<b>Обем на свободния въздух:</b> @ 5,5 bar	6,3 литра	384,4 in <sup>3</sup>	6,3 литра	384,4 in <sup>3</sup>
<b>Продължителност на цикъла:</b> Приблизително	0,9 секунди		1,0 секунди	

Стойности на шума, определени съгласно кода за тест на шума ISO 15744 и ISO 3744.		XT3	XT4
A-претеглено ниво на звукова мощност dB (A), $L_{WA}$	Колебание на шума: $k_{WA}$ = 3,0 dB(A)	90,3 dB(A)	89,7 dB(A)
A-претеглено ниво на звуковото налягане на емисиите на работната станция dB (A), $L_{pA}$	Колебание на шума: $k_{pA}$ = 3,0 dB(A)	79,3 dB(A)	78,7 dB(A)
C-претеглено пиково ниво на звуково налягане на емисиите dB(C), $L_{pC}$ пик	Колебание на шума: $k_{pC}$ = 3,0 dB(C)	82,7 dB(C)	81,5 dB(A)

Стойностите на вибрациите се определят съгласно кода за вибрационен тест ISO 20643 и ISO 5349.	XT3	XT4
Ниво на излъчваните вибрации, $a_{hd}$ :	1,41 м/сек. <sup>2</sup>	1,80 м/сек. <sup>2</sup>
Колеблива вибрация: k	0,70 м/сек. <sup>2</sup>	0,90 м/сек. <sup>2</sup>
Декларираны стойности на излъчваните вибрации в съответствие с EN 12096		

**2.2 СПЕЦИФИКАЦИИ ЗА ПОСТАВЯНЕ**

Тип на нита	Диаметър на нитовете мм [инча]										
	4 [5/32]	4,3	4,8 [3/16]	6	6,4 [1/4]	7	8	9	10	11	12
Отворен край	●*		●**		●						
Затворен край	●*		●**		●						
HR	●*		●		●						
HS					● (3)						
МУЛТИ ЗАХВАЩА- ЩАНЕ	●*		●**		●						
TL	●*		●								
T-нит (Emhart)	●*		●		●						
Самопоставящ се	●*		●		●						
Ултра захваща- не (UG) (NPR)					⊗ (3)						
CD					● (3)						
Avex®	● (2)		● (2)		● (2)						
Stavex®	● (2)		● (2)		● (1)(3)						
Avinox®/ Avibulb®	● (2)		● (2)	● (2)							
Avinox®XT / Avibulb®XT					● (1)(3)						
LSR/Bulbex®	● (2)		● (2)								
T-Lok®		● (2)	● (2)								
Avdel® SR	● (2)		● (2)		● (2)						
Hemlok®					● (1)(3)						
Interlock®			⊗ (2)		⊗ (1)(3)						
Maxlok®			● (3)		⊗ (3)						
Monobolt®			⊗ (1)(2)		⊗ (1)(3)						
Avtainer®									⊗ (1)(3)		
Avseal® (STD)				● (1)(3)		● (1)(3)	● (1)(3)	● (1)(3)	⊗ (1)(3)		
Avseal® (Ниска преса)							● (1)(3)	● (1)(3)	● (1)(3)	⊗ (1)(3)	⊗ (1)(3)
Q нит	● (2)		● (2)		● (2)						
T нит (Avdel)			● (1)(2)		● (1)(2)						
Avdelmate®			● (2)		● (2)						
Klamp-Tite® BAPK			⊗ (2)		⊗ (2)						
Klamp-Tite® BAPKTR			⊗ (1)(2)		⊗ (1)(2)						
Avdelok®			● (3)		⊗ (3)						

\* Използвайте PRG540-46 челюсти и FAN276-064 сглобка на буталото на челюстта

\*\* Използвайте PRG540-46 челюсти.

● Приложимо за XT3 и XT4 инструмент

⊗ Приложимо само за инструмент XT3

⊗ Приложимо само за XT4 инструмент

(1) Необходима е нестандартна носова част

(2) Предлага се алтернативно оборудване за нос

(3) Необходимо е нестандартно носово оборудване.

За пълния списък на съвместимо носово оборудване за всеки тип нит, заедно с инструкции за монтаж и поддръжка, моля, обърнете се към ръководството ProSet® за носово оборудване 07900-09414

### 2.3 СЪДЪРЖАНИЕ НА ОПАКОВКАТА

- 1 ProSet® XT3 или XT4 инструмент за слепи нитове.
- 1 комплект Стандартно носово оборудване и носови детайли за 4,8 мм [3/16"] и 6,4 мм [1/4"] нитове.
- 1 Печатно ръководство с инструкции – в зависимост от региона.

### 2.4 СПИСЪК С ОСНОВНИ ДОКУМЕНТИ

Вижте фигура 1 и 2 и таблицата по-долу.

Артикул	Номер на Част	Описание	Бр.
1	76003-15000*	Стандартно носово оборудване	1
2	76003-02022	Кука за окачване	1
3	76003-05200	Дорников колектор	1
4	07001-00405	Маслена тапа	1
5	07003-00194	Уплътнение	1
6	76003-02008	Спуск	1
7	76003-03700	Клапан вкл./изкл.	1
8	71210-02103	Закljučваща гайка	1

### 2.5 СТАНДАРТНО НОСОВО ОБОРУДВАНЕ

Вижте фигура 2 и таблицата по-долу.

Артикул	Номер на Част	Описание	Бр.
1c	PRN614	Носова част - 4,8 мм [3/16"] (вградена)	1
1d	PRN811	Носова част - 6,4 мм [1/4"]	1
1e	76003-15001	Носов корпус	1
1f	07003-00067	О пръстен	1
1g	DPN276-001	Водач на челюстта	1
1h	PRG540-44	Челюсти	1 комплект
1i	DPN276-006	Бутало на челюстта	1
1j	DPN900-060	О пръстен	1
1k	DPN901-019	Пружина на буталото на челюстта	1
1l	76003-15002	Глава за издърпване	1
1m	76003-15004	Закључване на предпазителя на челюстта	1
1n	DPN901-020	Пружина	1
1o	76003-15003	Адаптер на главата за издърпване	1
1p	07003-00277	О пръстен	1

За допълнително носово оборудване, моля, вижте ръководството за носово оборудване ProSet® 07900-09414 или посетете [www.stanleyengineeredfastening.com/resource-center/document-library](http://www.stanleyengineeredfastening.com/resource-center/document-library)

За пълнен списък на аксесоарите за инструмента, моля, вижте ръководството за аксесоари ProSet 07900-09415.

\* Носовото оборудване не се доставя с базовия инструмент Proset XT3 (76003-01000) и базовия инструмент Proset XT4 (76004-01000).

### 3. ПОДГОТОВКА НА ИНСТРУМЕНТА

**ВАЖНО - ПРОЧЕТЕТЕ ВНИМАТЕЛНО ПРЕДУПРЕЖДЕНИЯТА ЗА БЕЗОПАСНОСТ НА СТРАНИЦИ 6 И 8 ПРЕДИ ДА ИЗПОЛЗВАТЕ ИНСТРУМЕНТА.**

**ВАЖНО - ПОДАВАНЕТО НА ВЪЗДУХ ТРЯБВА ДА СЕ ИЗКЛУЧИ ИЛИ РАЗКАЧИ ПРЕДИ ПОСТАВЯНЕ ИЛИ СВАЛЯНЕ НА НОСОВАТА СГЛОБКА.**

#### 3.1 НОСОВО ОБОРУДВАНЕ (Спр. фиг. 2)

Номерата на елементите в удебелен шрифт се отнасят до компонентите на фигури 1 и 2 и таблиците на страница 11.

Целият инструмент ще бъде доставен предварително сглобен с носов елемент за 4,8 мм [3/16"] нитове. Една допълнителна част за нос за 6,4 мм [1/4"] нитове се доставят отделно.

#### Монтаж на носовия елемент

- Въздушното подаване трябва да се разкачи.
- Изберете правилния носов детайл за съответния нит.
- Свалете носовия корпус (**1e**), включително носовия елемент (**1a, b, c, or d**), и О пръстен (**1f**)
- Свалете носовия детайл (**1a, b, c or d**) от носовия корпус (**1e**)
- Изберете съответния размер носов елемент и сглобете в обратен ред.

#### Сваляне на цялото носово оборудване.

- Въздушното подаване трябва да се разкачи.
- Свалете носовия корпус (**1e**), включително носовия детайл (**1a, b, c or d**) и О пръстен (**1f**) от инструмента.
- Издърпайте назад заключването на водача на челюстта (**1m**) към пружината (**1n**) и след това свалете водача на челюстта (**1g**).
- Свалете челюстта (**1h**) от водача на челюстта (**1g**).
- Свалете буталото на челюстта (**1i**) О пръстен (**1j**) и пружината на буталото на челюстта (**1k**) от главата за избутване (**1l**).
- Свалете сглобката на главата за избутване (**1q**) от буталото на инструмента с помощта на гаечните ключове

#### Монтаж на цялото носово оборудване

- Въздушното подаване трябва да се разкачи
- Всяка износена или повредена част трябва да се смени.
- Почистете и проверете челюстите (**1h**).
- Внимавайте буталото на челюстта (**1i**) или пружината на буталото на челюстта (**k**) да не са изкривени.
- Леко смазани челюсти (**1h**) с литиева смазка.
- Спуснете челюстите (**1h**) във водача на челюстта (**1g**).
- Поставете буталото на челюстта (**1i**) и О пръстен (**1j**) в главата за издърпване (**1l**).
- Издърпайте назад заключването на водача на челюстта (**1m**) и завинтете водача на челюстта (**1g**) напълно на главата за издърпване (**1l**).
- Освободете заключването на водача на челюстта (**1m**) и след това отчасти отвийте водача на челюстта (**1g**) докато зъба на заключването на водача на челюстта (**1m**) щракне в следващия отвор на водача на челюстта (**1g**).
- Поставете корпуса на носа (**1e**) над водача на челюстта (**1g**) и затегнете напълно на инструмента.

Сглобката на носа трябва да се сервизира седмично. Трябва да поддържате в резерва всички вътрешни компоненти на върховете на сглобката на носа, понеже тях ще трябва да замените редовно.

#### 3.2 ПОДАВАНЕ НА ВЪЗДУХ (Спр. фиг. 3)

Компоненти

- Спирачен кран (използван по време на поддръжката на филтъра/обикновени или смазани единици)
- Регулатор на налягането и филтър (ежедневно източване)
- Основна точка на подаване източване
- Отправна точка от основното подаване

- Всички инструменти се управляват със сгъстен въздух с минимално налягане от 5,0 bar.
- Регулатори на налягането и системи за автоматично смазване/филтриране, за използване на главно-то подаване на въздух в рамките на 3 метра от инструмента (виж фиг. 3).
- Маркучите за въздушно подаване ще имат максимално работно налягане от 150% от максималното налягане, произведено в системата или 10 bar, което е най-високо.
- Въздушните маркучи трябва да са устойчиви на петрол, да имат устойчива на абразия повърхност и да са блиндираны, когато условията на работа могат да доведат до повреда на маркучите.
- Всички въздушни маркучи ТРЯБВА да имат минимален диаметър на отвора от 6,4 mm.
- Проверявайте за изпускане на въздух. При повреда, маркучите и куплунгите трябва да се сменят с нови.
- Ако липсва филтър на регулатора на налягането, източете въздушната линия, за да я изчистите от насъбрано замърсяване или вода, преди да свържете въздушен маркуч към инструмента.

### 3.3 ПРИНЦИП НА РАБОТА

**ВНИМАНИЕ - ПРАВИЛНОТО НАЛЯГАНЕ НА ПОДАВАНЕТО Е ВАЖНО ЗА ПРАВИЛНОТО ФУНКЦИОНИРАНЕ НА МОНТАЖНИЯ ИНСТРУМЕНТ. МОЖЕ ДА СЕ СТИГНЕ ДО НАРАНЯВАНЕ ИЛИ ПОВРЕДИ НА ОБОРУДВАНЕТО ПРИ ЛИПСА НА ПОДХОДЯЩО НАЛЯГАНЕ. ПОДАВАНЕТО НАЛЯГАНЕ НЕ ТРЯБВА ДА НАДВИШАВА УКАЗАНОТО В СПЕЦИФИКАЦИЯТА НА ИНСТРУМЕНТА ЗА ПОСТАВЯНЕ**

Номерата на елементите в удебелен шрифт се отнасят до компонентите на фигури 1 и 2 и таблиците на страница 11.

Когато пневматичния маркуч е свързан към инструмента за поставяне, циклите на издърпване и връщане на инструмента се контролират от натискането и освобождаването на пусковия превключвател **(6)** намиращ се в дръжката.

- Въздушното подаване е разкачено.
- Свържете подходящото носово оборудване, както е описано на страница 10 и 12.
- Свържете пневматичния маркуч към въздушната клапа за вкл./изкл. **(7)**.
- Свържете пневматичния маркуч за основното подаване на въздух.
- Включете основното подаване към инструмента чрез плъзване на клапана за вкл./изкл. **(7)** на горната позиция.
- Въздуха е в процес на подаване към инструмента и вакуумната система работи.
- Издърпайте и освободете пусковия превключвател **(6)** няколко пъти до пълния удар на инструмента, за да проверите работата. Наблюдавайте работата на инструмента. Проверете за изтичания на течност и/или на въздух.



## 4. ПРОЦЕДУРА ЗА РАБОТА

### 4.1 РАБОТА НА ИНСТРУМЕНТА (Справка на фиг. 1, 4, 5, 6)

#### Поставяне на спял нит

- Уверете се, че дорниковия колектор (3) е поставен.
- Вкарайте нитния дорник в носовия елемент (1a, b, c или d). Вакуумната система ще задържи нита в носовия елемент.
- Поставете инструмента.
- Уверете се, че носовото оборудване е под прав ъгъл (90°) към обработвания детайл.
- Издърпайте и задръжте пусковия превключвател (6) до пълното поставяне на нита в приложението.
- Когато нита е поставен напълно, освободете пусковия превключвател (6). Инструментът ще се върне автоматично в първоначална позиция. Дорникът автоматично пада в колектора на дорника (3) от вакуумната система.
- Дорниковият колектор трябва да се изпразни преди да е напълнен наполовина.

**ВНИМАНИЕ – НЕ ВКАРВАЙТЕ СЪС СИЛА НИТЕН ДОРНИК ИЛИ НИТНО ТЯЛО. ТОВА ЩЕ ПРИЧИНИ ПОВРЕДИ В ИНСТРУМЕНТА И/ИЛИ НА ПРИЛОЖЕНИЕТО.**

### 4.2 ИЗПРАЗВАНЕ НА ДОРНИКОВИЯ КОЛЕКТОР (Спр. фиг. 1)

#### **ВНИМАНИЕ - НЕ ИЗПОЛЗВАЙТЕ ИНСТРУМЕНТА, КОГАТО ДОРНИКОВИЯ КОЛЕКТОР Е СВАЛЕН**

- Инструмента е оборудван с дорников колектор за бързо поставяне/сваляне (3).
- Въртене на 60° сваля или поставя дорниковия колектор.
- Свалянето на дорниковия колектор (3) от инструмента автоматично изключва вакуумното задържане на нита и дорниковата отделителна система.
- Поставянето на дорниковия колектор включва вакуумната система.

## 5. СЕРВИЗИРАНЕ НА ИНСТРУМЕНТА

### 5.1 ЧЕСТОТА НА ПОДДРЪЖКА

Редовното обслужване трябва да се извършва от обучен персонал, а цялостна инспекция се извършва ежегодно или на всеки 500 000 цикъла, или което е по-рано.



ИЗКЛЮЧЕТЕ ПОДАВАНЕТО НА ВЪЗДУХ



**ВНИМАНИЕ** - Никога не използвайте разтворители или други разяждащи химикали за почистване на неметалните части на инструмента.

*Тези химикали могат да отслабят материалите, използвани в тези части.*

### 5.2 НОСОВО ОБОРУДВАНЕ

Носовите сглобки трябва да се сервизират седмично или на всеки 5000 цикъла. Пазете резервни части от всички вътрешни компоненти за носовата сглобка и носовия елемент, те се нуждаят от редовна замяна.

- Разкачете въздушното подаване
- Свалете цялата носова сглобка с помощта на процедурата, описана в раздел 3.1.
- Прегледайте всички компоненти. Всички износени и повредени части трябва да се заменят с нови части.
- Специално проверявайте износването на челюстта **(1h)**.
- Почистете всички части и приложете литиева смазка (07992-00020) за челюсти **(1h)** и вътрешния отвор на водача на челюстта **(1g)**.
- Сглобете в съответствие с инструкциите за монтаж в раздел 3.1.

### 5.3 ЕЖЕДНЕВНО СЕРВИЗИРАНЕ

- Преди употреба, проверете инструмента, маркуча и съединителите за изпускане на въздух и течове на масло. Ако са повредени, спрете експлоатацията на инструмента и сменете съответните части с нови.
- Ако няма филтър на регулатора на налягането, източете въздушната линия, за да я изчистите от натрупаните замърсявания или вода, преди да свържете маркуча към инструмента. Ако има и филтър, източете го.
- Проверете дали носовото оборудване **(1)** е подходящо за поставения нит, и дали е поставен подходящо.
- Проверете дали удара на инструмента е в съответствие с минималните спецификации (справка 2.1).
- Дорниковият колектор **(3)** трябва да се постави на инструмента.
- Проверете дали въздушната камера е напълно затегната на тялото на инструмента.

### 5.4 СЕДМИЧНО СЕРВИЗИРАНЕ

- Проверете инструмента, маркуча и съединителите за изпускане на въздух и течове на масло. Ако са повредени, спрете експлоатацията на инструмента и сменете съответните части с нови.

За пълни инструкции относно сервизиране, оправяне на проблеми и поддръжка, моля, вижте за справка Ръководството за сервизиране № 07900-09410 за ХТ3 и 07900-09411 за ХТ4.

Относни Данни за безопасност във връзка със смазването и маслата, използвани с този инструмента, моля, вижте за справка Ръководството за сервизиране № 07900-09410 за ХТ3 и 07900-09411 за ХТ4.

### 5.5 ЗАЩИТА НА ОКОЛНАТА СРЕДА

Осигурете съответствие с приложимите разпоредби за изхвърляне. Изхвърлете всички отпадни продукти в одобрено съоръжение или площадка за отпадъци, за да не излагате персонала и околната среда на опасности.

## 6. ЕО ДЕКЛАРАЦИЯ ЗА СЪОТВЕТСТВИЕ

Ние, **Stanley Engineered Fastening, Stanley House, Works Road, Letchworth Garden City, Hertfordshire, SG6 1JY ОБЕДИНЕНО КРАЛСТВО**, декларираме при пълна отговорност, че продукта:

**Описание:**

**Хидро-пневматични инструменти за слепи нитове ProSet® XT3 и ProSet® XT4**

**Модел:**

**POP-Avdel® / 76003 и POP-Avdel® / 76004**

за който тази декларация се отнася, е в съответствие със следните хармонизирани стандарти:

ISO 12100:2010	EN ISO 3744:2010
EN ISO 11202:2010	EN ISO 11148-1:2011
EN ISO 4413:2010	BS EN 28662-1:1993
EN ISO 4414:2010	EN ISO 20643:2008+A1:2012
EN ISO 28927-5:2009+A1:2015	ES100118-rev 17:2017

Техническата документация е съставена в съответствие с приложение 1, точка 1.7.4.1, в съгласие със следната Директива:

**2006/42/ЕС Директива за машините**

(Нормативни инструменти 2008 № 1597 - Наредбата се отнася за доставка на машини (безопасност)).

Долуподписаният прави тази декларация от името на STANLEY Engineered Fastening



**A. K. Seewraj**

**Директор на инженеринга, Великобритания**

Avdel UK Limited, Stanley House, Works Road, Letchworth Garden City, Hertfordshire, SG6 1JY ОБЕДИНЕНО КРАЛСТВО

**Място на издаване:**

**Letchworth Garden City, Великобритания**

**Дата на издаване:**

**01-13-2017**

Долуподписаният е отговорен за съставянето на техническото досие за продукти, продавани в Европейския съюз, и изготвя тази декларация от името на Stanley Engineered Fastening..

**Матиас Апел**

**Техническа документация на ръководителя на екипа**

Stanley Engineered Fastening, Tucker GmbH, Max-Eyth-Str.1, 35394 Gießen, Германия



**Тази машина е в съответствие с Директивата за Машините 2006/42/ЕК**

## 7. ДЕКЛАРАЦИЯ ЗА СЪОТВЕТВИЕ В Обединеното кралство

Ние, **Stanley Engineered Fastening, Stanley House, Works Road, Letchworth Garden City, Hertfordshire, SG6 1JY ОБЕДИНЕНО КРАЛСТВО**, декларираме при пълна отговорност, че продукта:

**Описание:**

Хидро-пневматични инструменти за слепи нитове ProSet® XT3 и ProSet® XT4

**Модел:**

POP-Avdel® / 76003 и POP-Avdel® / 76004

за който тази декларация се отнася, е в съответствие със следните предопределени стандарти:

ISO 12100:2010	EN ISO 3744:2010
EN ISO 11202:2010	EN ISO 11148-1:2011
EN ISO 4413:2010	BS EN 28662-1:1993
EN ISO 4414:2010	EN ISO 20643:2008+A1:2012
EN ISO 28927-5:2009+A1:2015	ES100118-rev 17:2017

Техническата документация е съставена в съответствие с Наредбите за доставка на машини (безопасност) от 2008 г., S.I. 2008/1597 (с измененията).

Долуподписаният прави тази декларация от името на STANLEY Engineered Fastening



**A. K. Seewraj**

**Директор на инженеринга, Великобритания**

Avdel UK Limited, Stanley House, Works Road, Letchworth Garden City, Hertfordshire, SG6 1JY ОБЕДИНЕНО КРАЛСТВО

**Място на издаване:**

Letchworth Garden City, Великобритания

**Дата на издаване:**

01-13-2017



Тази машина е в съответствие  
с Правила за доставка на машини  
(безопасност) 2008 г.,  
S.I. 2008/1597 (изменен)

## 8. ЗАЩИТЕТЕ СВОЯТА ИНВЕСТИЦИЯ!

### 8.1 POP'AVDEL® ГАРАНЦИЯ НА ИНСТРУМЕНТА ЗА СЛЕПИ НИТОВЕ

STANLEY Engineered Fastening гарантира, че вашите електроинструменти са произведени с внимание, и че няма да имат дефекти в материала и изработката при нормална употреба и сервизиране за периода от една (1) година.

Тази гаранция е приложима само за първият собственик, закупилият този инструмент.

#### **Изключения:**

##### **Нормално износване.**

Периодичната поддръжка, ремонт и подмяна на части поради нормално износване не са включени в тази гаранция.

##### **Неправилна употреба и злоупотреба.**

Дефект или повреда, която е резултат от неправилна експлоатация, съхранение, неправилна употреба или злоупотреба, злополука или небрежност, като физическо увреждане, са изключени от тази гаранция.

##### **Неупълномощено сервизиране или промяна.**

Дефекти или щети, произтичащи от обслужване, регулиране чрез тестове, инсталиране, поддръжка, промяна или модификация по никакъв начин от някой друг освен STANLEY Engineered Fastening, или упълномощените негови сервизни центрове, са изключени от гаранцията.

Всички други гаранции, независимо дали преки или косвени, включително гаранции за продаваемост или пригодност също са изключени от гаранцията.

Ако този инструмент не успее да отговаря на гаранцията, своевременно върнете инструмента на най-близкият до вас заводски упълномощен сервизен център. За списък на упълномощени сервизни центрове в САЩ или Канада за POP'Avdel®, се свържете с нас на нашия безплатен номер (877)364 2781.

За страните извън САЩ и Канада, посетете нашият уебсайт [www.StanleyEngineeredFastening.com](http://www.StanleyEngineeredFastening.com), за да намерите най-близкият до вас STANLEY Engineered Fastening.

STANLEY Engineered Fastening ще смени безплатно всяка част или части, които според нас са дефектни по причина на материала или изработката, и ще върне инструмента предплатено. Това е нашето единствено задължение под тази гаранция.

В никакъв случай STANLEY Engineered Fastening не носи отговорност за закономерни или специални щети, произтичащи от покупката или използването на този инструмент.

### 8.2 РЕГИСТРИРАЙТЕ ОНЛАЙН СВОЯ ИНСТРУМЕНТ ЗА СЛЕПИ НИТОВЕ.

За да регистрирате онлайн своята гаранция, посетете ни на:

<http://www.stanleyengineeredfastening.com/popavdel-powertools/warranty-card>.

Благодарим, че избрахте инструмента на STANLEY Engineered Fastening's POP'Avdel®.

© 2017 Stanley Black & Decker inc.

Všechna práva vyhrazena.

Uvedené informace nesmí být bez předchozího výslovného a písemného souhlasu společnosti STANLEY Engineered Fastening v žádném případě reprodukovány nebo publikovány prostřednictvím jakýchkoli prostředků (elektronicky nebo mechanicky). Uvedené informace vychází z údajů známých v okamžiku uvedení tohoto výrobku na trh. Společnost STANLEY Engineered Fastening provádí politiku neustálého zdokonalování svých výrobků, a proto může u těchto výrobků docházet k změnám. Poskytnuté informace se vztahují na výrobek ve stavu jeho dodání společností STANLEY Engineered Fastening. Proto nemůže společnost STANLEY Engineered Fastening odpovídat za jakákoli poškození vyplývající z provedení úprav původní specifikace výrobku.

Dostupné informace byly sestaveny s maximální péčí. Nicméně společnost STANLEY Engineered Fastening neponese žádnou odpovědnost vzhledem k jakýmkoli chybám v uvedených informacích a vzhledem k problémům vyplývajícím z těchto chyb. Společnost STANLEY Engineered Fastening neponese žádnou odpovědnost za škody vzniklé v důsledku aktivit prováděných třetími stranami. Pracovní názvy, obchodní názvy, registrované ochranné známky atd., které jsou používány společností STANLEY Engineered Fastening, nesmí být na základě právních předpisů týkajících se ochrany ochranných známek považovány za volně přístupné.

## OBSAH

<b>1.</b>	<b>BEZPEČNOSTNÍ DEFINICE .....</b>	<b>2</b>
1.1	ZÁKLADNÍ BEZPEČNOSTNÍ PŘEDPISY .....	2
1.2	RIZIKA TÝKAJÍCÍ SE ODMRŠTĚNÝCH PŘEDMĚTŮ.....	2
1.3	PROVOZNÍ RIZIKA .....	3
1.4	RIZIKA TÝKAJÍCÍ SE OPAKOVANÝCH POHYBŮ .....	3
1.5	RIZIKA TÝKAJÍCÍ SE PŘÍSLUŠENSTVÍ.....	3
1.6	RIZIKA TÝKAJÍCÍ SE PRACOVNÍHO PROSTORU .....	4
1.7	RIZIKA TÝKAJÍCÍ SE HLUČNOSTI.....	4
1.8	RIZIKA TÝKAJÍCÍ SE VIBRACÍ.....	4
1.9	DOPLŇKOVÉ BEZPEČNOSTNÍ POKYNY PRO PNEUMATICKÁ NÁŘADÍ.....	4
<b>2.</b>	<b>TECHNICKÉ ÚDAJE.....</b>	<b>5</b>
2.1.	SPECIFIKACE NÁŘADÍ .....	5
2.2	SPECIFIKACE POUŽITELNOSTI .....	6
2.3	OBSAH BALENÍ .....	7
2.4	SEZNAM HLAVNÍCH DÍLŮ.....	7
2.5	STANDARDNÍ VYBAVENÍ HLAVICE .....	7
<b>3.</b>	<b>NASTAVENÍ NÁŘADÍ .....</b>	<b>8</b>
3.1	VYBAVENÍ HLAVICE (viz obr. 2) .....	8
3.2	PŘÍVOD STLAČENÉHO VZDUCHU (viz obr. 3) .....	8
3.3	PRINCIP FUNKCE .....	9
<b>4.</b>	<b>PRACOVNÍ POSTUP.....</b>	<b>10</b>
4.1	PROVOZ NÁŘADÍ (viz obr. 1, 4, 5, 6).....	10
4.2	VYPRAZDŇENÍ SBĚRAČE ZBYTKŮ NÝTŮ (viz obr. 1) .....	10
<b>5.</b>	<b>SERVIS NÁŘADÍ .....</b>	<b>11</b>
5.1	INTERVALY ÚDRŽBY .....	11
5.2	VYBAVENÍ HLAVICE.....	11
5.3	DENNÍ ÚDRŽBA.....	11
5.4	TÝDENNÍ ÚDRŽBA .....	11
5.5	OCHRANA ŽIVOTNÍHO PROSTŘEDÍ .....	11
<b>6.</b>	<b>PROHLÁŠENÍ O SHODĚ.....</b>	<b>12</b>
<b>7.</b>	<b>PROHLÁŠENÍ O SHODĚ UK.....</b>	<b>13</b>
<b>8.</b>	<b>CHRAŇTE SVOU INVESTICI! .....</b>	<b>14</b>
8.1	ZÁRUKA NA NÝTOVACÍ NÁŘADÍ PRO TRHACÍ NÝTY POP® AVDEL® .....	14
8.2	ZAREGISTRUJTE SVOU NÝTOVAČKU PRO TRHACÍ NÝTY ONLINE.....	14



Tento návod si musí přečíst každá osoba, která sestavuje nebo používá toto nářadí. Věnujte prosím speciální pozornost následujícím bezpečnostním předpisům.



Při práci s tímto nářadím vždy používejte ochranu zraku odolnou proti nárazu. Vyžadovaný stupeň ochrany musí být stanoven pro každé použití.



Používejte ochranu sluchu v souladu s pokyny zaměstnavatele a v souladu s předpisy pro bezpečnost a ochranu zdraví při práci.



Použití tohoto nářadí může vystavit ruce obsluhy rizikům, včetně rozdrčení, nárazů, pořezání, odřenin a popálení. Chraňte si ruce pracovními rukavicemi.

## 1. BEZPEČNOSTNÍ DEFINICE

Níže uvedené definice popisují stupeň závažnosti každého označení. Přečtěte si pozorně návod k použití a věnujte pozornost těmto symbolům.



**NEBEZPEČÍ:** Označuje bezprostředně hrozící rizikovou situaci, která, není-li jí zabráněno, povede k způsobení vážného nebo smrtelného zranění.



**VAROVÁNÍ:** Označuje potenciálně rizikovou situaci, která, není-li jí zabráněno, může způsobit vážné nebo smrtelné zranění.



**UPOZORNĚNÍ:** Označuje potencionálně hrozící rizikovou situaci, která, není-li jí zabráněno, může vést k způsobení lehkého nebo středně vážného zranění.

**UPOZORNĚNÍ:** Je-li použito bez výstražného symbolu, označuje potencionálně hrozící rizikovou situaci, která, není-li jí zabráněno, může vést k způsobení hmotných škod.

**Nesprávné použití nebo nesprávná údržba tohoto výrobku mohou vést k způsobení vážného zranění nebo hmotných škod.**

**Před použitím tohoto nářadí si přečtěte a řádně nastudujte všechny výstrahy a pracovní postupy. Při práci s nářadím musí být vždy dodržovány základní bezpečnostní předpisy, aby bylo omezeno riziko způsobení zranění.**

### VŠECHNA BEZPEČNOSTNÍ VAROVÁNÍ A POKYNY USCHOVEJTE PRO DALŠÍ POUŽITÍ

#### 1.1 ZÁKLADNÍ BEZPEČNOSTNÍ PŘEDPISY

- Jako prevenci pro případ různých nebezpečí si před instalací, obsluhou, opravou, údržbou, výměnou příslušenství nebo před prací na tomto nářadí přečtěte a nastudujte bezpečnostní pokyny. Nedodržení tohoto pokynu může vést k způsobení vážného zranění.
- Toto nářadí může instalovat, seřizovat a používat pouze kvalifikovaná a zaškolená osoba.
- NEPOUŽÍVEJTE nýtovací nářadí STANLEY Engineered Fastening na trhací nýty na jiné než určené účely.
- Používejte pouze díly, montážní prvky a příslušenství doporučené výrobcem.
- NEUPRAVUJTE toto nářadí. Provedené úpravy mohou snížit účinnost bezpečnostních opatření a mohou zvýšit riziko ohrožení uživatele. Za jakékoli úpravy tohoto nářadí provedené zákazníkem přebírá odpovědnost zákazník a takové úpravy ruší platnost záruky.
- Nevyhazujte tyto bezpečnostní pokyny a předějte je obsluze tohoto nářadí.
- Nepoužívejte toto nářadí, je-li poškozeno.
- Před použitím nářadí zkontrolujte vychýlení nebo zablokování pohyblivých částí, poškození jednotlivých dílů a jiné okolnosti, které mohou ovlivnit jeho chod. Je-li nářadí poškozeno, nechte je před použitím opravit. Před použitím sejměte z nářadí všechny klíče a seřizovací přípravky.
- Tato nářadí musí být pravidelně kontrolována, aby se ověřilo, zda jmenovité hodnoty a označení vyžadovaná touto částí normy ISO 11148 jsou na tomto nářadí čitelná. Je-li to nutné, zaměstnanec nebo uživatel musí kontaktovat výrobce, aby získal náhradní štítky.
- Toto nářadí musí být neustále udržováno v bezpečném provozním stavu a proškolená osoba musí v pravidelných intervalech provádět kontrolu, zda nedošlo k jeho poškození a zda je funkční. Každá demontáž nářadí musí být prováděna pouze proškolenou osobou. Nerozebírejte toto nářadí, aniž byste si nejdříve nastudovali postupy uvedené v pokynech pro údržbu.

#### 1.2 RIZIKA TÝKAJÍCÍ SE ODMRŠTĚNÝCH PŘEDMĚTŮ

- Před prováděním jakékoli údržby, před seřizováním nářadí a před sejmutím nebo nasazením sestavy hlavičky či příslušenství, vždy od nářadí odpojte hadici s přívodem stlačeného vzduchu.

- Uvědomte si, že poškození obrobku nebo příslušenství, nebo dokonce i vloženého nástroje, mohou vytvářet projektily odmrštěné vysokou rychlostí.
- Při práci s tímto nářadím vždy používejte ochranu zraku odolnou proti nárazu. Vyžadovaný stupeň ochrany musí být stanoven pro každé použití.
- V tomto okamžiku musí být stanovena také rizika hrozící jiným osobám.
- Zajistěte, aby byl obrobek bezpečně upevněn.
- Zkontrolujte, zda je na svém místě a funkční ochrana proti vyhození upevňovacího prvku a trnu.
- **NEPOUŽÍVEJTE** toto nářadí bez nasazeného sběrače zbytků nýtů.
- Dávejte pozor na možné důrazné vyhození zbytků nýtů z přední části nářadí.
- **NEPOUŽÍVEJTE** toto nářadí, je-li namířeno na jiné osoby.

### **1.3 PROVOZNÍ RIZIKA**

- Používání tohoto nářadí může vystavit ruce obsluhy rizikům, včetně rozdrčení, nárazů, pořezání, odřenin a popálení. Chraňte si ruce pracovními rukavicemi.
- Obsluha a pracovníci údržby musí být fyzicky schopni zvládat velikost, hmotnost a výkon tohoto nářadí.
- Držte toto nářadí správně. Buďte připraveni zvládat běžné nebo náhlé pohyby a mějte vždy k dispozici obě ruce.
- Udržujte rukojeti nářadí suché a čisté. Dbejte na to, aby nebyly znečištěny olejem nebo mazivem.
- Při práci s tímto nářadím udržujte rovnovážnou polohu těla a bezpečný postoj.
- V případě přerušení dodávky stlačeného vzduchu uvolněte spouštěcí a vypínací zařízení.
- Používejte pouze maziva doporučená výrobcem.
- Zabraňte kontaktu s hydraulickou kapalinou. Při kontaktu s hydraulickou kapalinou se vždy pečlivě omyjte, aby bylo minimalizováno riziko podráždění pokožky.
- Bezpečnostní listy materiálu pro všechny hydraulické oleje a maziva jsou k dispozici na vyžádání u dodavatele nářadí.
- Vyvarujte se nevhodných poloh, protože je pravděpodobné, že tyto polohy neumožní zvládnání normálních nebo neočekávaných pohybů nářadí.
- Je-li toto nářadí upevněno k závěsnému zařízení, ujistěte se, zda je toto upevnění bezpečné.
- Není-li namontováno zařízení na přední části, dávejte pozor na riziko rozdrčení nebo přískřípnutí.
- **NEPOUŽÍVEJTE** nářadí se sejmutým krytem hlavice.
- Před zahájením pracovního úkonu musí být ruce uživatele nářadí v bezpečné vzdálenosti.
- Při přenášení nářadí z místa na místo udržujte ruce v bezpečné vzdálenosti od spouštěcího spínače, abyste zabránili náhodnému spuštění nářadí.
- **ZABRAŇTE** poškození nářadí způsobenému jeho pádem a **NEPOUŽÍVEJTE** toto nářadí jako kladivo.
- Dávejte pozor, aby zbytky použitých nýtů nevytvářely bezpečnostní rizika.
- Sběrač zbytků nýtů musí být vyprázdněn, jakmile bude z poloviny zaplněn.

### **1.4 RIZIKA TÝKAJÍCÍ SE OPAKOVANÝCH POHYBŮ**

- Při práci s tímto nářadím může u jeho obsluhy docházet k nepříjemným pocitům v ruce, pažích, ramenou, krku nebo jiných částech těla.
- Při práci s tímto nářadím musí obsluha zaujmout pohodlnou pozici, musí zachovávat bezpečný postoj a nesmí používat nevhodné nebo nevyvážené postoje. Obsluha tohoto nářadí musí během provádění dlouhodobých pracovních úkonů měnit polohu těla. To může pomoci zabránit nepohodlí a únavě.
- Pokud se u obsluhy nářadí vyskytnou příznaky, jako je přetrvávající nebo opakující se nepříjemné pocity, bolesti, pulzování, mravenčení, necitlivost, pálení nebo ztuhlost, tyto varovné signály nesmí být ignorovány. Uživatel nářadí musí informovat zaměstnavatele a musí provést konzultaci s kvalifikovaným zdravotnickým odborníkem.

### **1.5 RIZIKA TÝKAJÍCÍ SE PŘÍSLUŠENSTVÍ**

- Před nasazením nebo sejmutím sestavy přední části nebo příslušenství odpojte toto nářadí od zdroje stlačeného vzduchu.
- Používejte pouze rozměry a typy příslušenství a spotřební díly, které jsou doporučeny výrobcem tohoto nářadí. Nepoužívejte jiné typy nebo rozměry příslušenství nebo spotřebních dílů.



### **1.6 RIZIKA TÝKAJÍCÍ SE PRACOVNÍHO PROSTORU**

- Uklouznutí, zakopnutí a pády jsou hlavními příčinami zranění na pracovišti. Dávejte pozor na kluzké povrchy způsobené použitím tohoto nářadí a také na riziko zakopnutí o hadice se stlačeným vzduchem nebo o hydraulické hadice.
- V neznámém prostředí pracujte opatrně. Mohou se zde vyskytovat skrytá rizika, jako elektrické nebo inženýrské sítě.
- Toto nářadí není určeno pro použití v prostředích s potencionálně výbušnou atmosférou a není izolováno proti kontaktu s elektrickým napájením.
- Ujistěte se, zda se v pracovním prostoru nevyskytují žádné elektrické kabely, plynové potrubí atd., které by mohly při použití tohoto nářadí způsobit jakákoli rizika.
- Vhodně se oblékejte. Nenoste volný oděv nebo šperky. Dbejte na to, aby se vaše vlasy, oděv a rukavice nedostaly do kontaktu s pohyblivými částmi. Volný oděv, šperky nebo dlouhé vlasy mohou být pohyblivými díly zachyceny.
- Dávejte pozor, aby zbytky použitých nýtů nevytvářely bezpečnostní rizika.

### **1.7 RIZIKA TÝKAJÍCÍ SE HLUČNOSTI**

- Vystavení vysokým hladinám hluku může způsobit trvalou ztrátu sluchu a další problémy, jako jsou šelesty (zvonění, bzučení, pískání nebo hučení v uších). Proto je zásadní posouzení těchto rizik a provádění příslušných kontrol těchto rizik.
- Mezi vhodné akce snižující tato rizika mohou patřit činnosti, jako jsou použití tlumících materiálů, které zabraňují „zvonivým“ zvukům obrobků.
- Používejte ochranu sluchu v souladu s pokyny zaměstnavatele a v souladu s předpisy pro bezpečnost a ochranu zdraví při práci.
- Používejte toto nářadí a provádějte jeho údržbu podle doporučení v tomto návodu k použití, abyste zabránili zbytečnému zvyšování hladiny hluku.
- Před použitím tohoto nářadí se ujistěte, zda je na určeném místě tlumič se sběračem odtržených nýtů a zda jsou v bezvadném provozním stavu.

### **1.8 RIZIKA TÝKAJÍCÍ SE VIBRACÍ**

- Vystavení se působení vibrací může způsobit poškození nervů a prokrvení rukou a paží.
- Při práci v chladném prostředí používejte teplé oblečení a udržujte ruce v teple a suchu.
- Pociťujete-li znečitlivění, mravenčení, bolest nebo zbělení kůže na prstech nebo rukou, přestaňte toto nářadí používat, informujte svého zaměstnavatele a poradte se s lékařem.
- Je-li to možné, ukládejte toto nářadí ve stojanu, napínáku nebo vyvažovači, protože lze snadnější úchop použít k podepření nářadí.

### **1.9 DOPLŇKOVÉ BEZPEČNOSTNÍ POKYNY PRO PNEUMATICKÁ NÁŘADÍ**

- Provozní tlak stlačeného vzduchu nesmí překročit 7 barů (100 PSI).
- Stlačený vzduch může způsobit vážná zranění.
- Nikdy nenechávejte bez dozoru nářadí, které je v chodu. Není-li toto nářadí používáno, před výměnou příslušenství nebo před prováděním oprav, odpojte hadici se stlačeným vzduchem.
- ZABRAŇTE tomu, aby otvor s výfukem vzduchu na přední části sběrače zbytků nýtů směřoval na obsluhu nebo jiné osoby. Nikdy nesměřujte proud vzduchu na sebe nebo na jiné osoby.
- Šlehaající hadice mohou způsobit vážné zranění. Vždy zkontrolujte, zda nedošlo k poškození nebo uvolnění hadic a spojek.
- Před zahájením práce zkontrolujte, zda nedošlo k poškození vedení stlačeného vzduchu. Všechny spoje musí být bezpečné. Nepouštějte na hadice těžké předměty. Náraz ostrého předmětu může způsobit vnitřní poškození hadice, což povede k jejímu předčasnému zničení.
- Proud studeného vzduchu nesmí směřovat na ruce.
- Kdykoli jsou použity univerzální otočné spojky (zubové spojky), musí být nainstalovány pojistné kolíky a musí být použity bezpečnostní kabely pro zajištění proti možnému selhání připojení hadic k nářadí nebo hadice k hadici.
- Nezvedejte toto nářadí uchopením za hadici. Vždy používejte rukojeť nářadí.
- Větrací otvory nesmí být zablokovány nebo zakryty.
- Zabraňte vniknutí nečistot a cizích látek do hydraulického systému nářadí, protože by v takovém případě došlo k jeho poškození.

**Politikou společnosti STANLEY Engineered Fastening je nepřetržitý vývoj a inovace výrobků, a proto si vyhrajujeme právo na změnu specifikace jakéhokoliv výrobku bez předchozího upozornění.**

## 2. TECHNICKÉ ÚDAJE

Modely ProSet® XT3 a XT4 jsou hydro-pneumatická nářadí určená pro velmi rychlé práce s trhacími nýty Stanley Engineered Fastening. Tato nářadí jsou vybavena odsávacím systémem pro zachycení nýtů a bezproblémový sběr odstřížených trnů bez ohledu na orientaci nářadí.

Je-li nářadí opatřeno příslušným vybavením hlavice, modely ProSet® XT3 a XT4 mohou být použity pro práci s trhacími nýty od  $\varnothing$  4,0 mm do  $\varnothing$  6,4 mm. Viz tabulka na straně 10, kde najdete seznam všech nýtů, které mohou být použity.

Vždy musí být dodržovány všechny bezpečnostní pokyny uvedené na stranách 2 a 4.

**NEPOUŽÍVEJTE** toto nářadí ve vlhkém prostředí nebo na místech s výskytem hořlavých kapalin nebo plynů.

### 2.1. SPECIFIKACE NÁŘADÍ

	XT3		XT4	
<b>Tažná síla:</b> Při tlaku 5,5 baru	17,0 kN	3822 lbf	23,0 kN	5193 lbf
<b>Tlak stlačeného vzduchu:</b> Min. – Max.	5,0–7,0 bar	72,5–101,5 lbf/in <sup>2</sup>	5,0–7,0 bar	72,5–101,5 lbf/in <sup>2</sup>
<b>Tlak oleje:</b> Tah při 5,5 baru	290 barů	4206 lbf/in <sup>2</sup>	395 barů	5729 lbf/in <sup>2</sup>
<b>Zdvih:</b> Minimální zdvih pístu	26,0 mm	1,02 in.	18,0 mm	0,91 in.
<b>Hmotnost:</b> Včetně vybavení hlavice	2,24 kg	4,94 lb	2,26 kg	4,98 lb
<b>Hmotnost:</b> bez vybavení hlavice	2,00 kg	4,41 lb	2,02 kg	4,41 lb
<b>Objem vzduchu:</b> Při tlaku 5,5 baru	6,3 l	384,4 in <sup>3</sup>	6,3 l	384,4 in <sup>3</sup>
<b>Doba cyklu:</b> Přibližně	0,9 s		1,0 s	

Hodnoty hlučnosti určené podle kódů zkoušky hlučnosti ISO 15744 a ISO 3744.		XT3	XT4
Měřený akustický výkon dB(A), $L_{WA}$	Odchylka týkající se hlučnosti: $k_{WA} = 3,0$ dB(A)	90,3 dB(A)	89,7 dB(A)
Měřená úroveň akustického tlaku na místě prováděné práce dB(A), $L_{pA}$	Odchylka týkající se hlučnosti: $k_{pA} = 3,0$ dB(A)	79,3 dB(A)	78,7 dB(A)
Měřené maximální emise akustické tlaku dB(C), $L_{pC'} \text{ max}$	Odchylka týkající se hlučnosti: $k_{pC} = 3,0$ dB(C)	82,7 dB(C)	81,5 dB(A)

Hodnoty vibrací určené podle kódů zkoušky vibrací ISO 20643 a ISO 5349.	XT3	XT4
Hodnota vibrací, $a_{hd}$ :	1,41 m/s <sup>2</sup>	1,80 m/s <sup>2</sup>
Odchylka vibrací: k	0,70 m/s <sup>2</sup>	0,90 m/s <sup>2</sup>
Deklarované hodnoty emisí vibrací v souladu s požadavky normy EN 12096		

## 2.2 SPECIFIKACE POUŽITELNOSTI

Typ nýtu	Průměr nýtu mm [palce]										
	4 [5/32]	4,3	4,8 [3/16]	6	6,4 [1/4]	7	8	9	10	11	12
Otevřený konec	●*		●**		●						
Uzavřený konec	●*		●**		●						
HR	●*		●		●						
HS					● (3)						
Multi-Grip	●*		●**		●						
TL	●*		●								
T-Rivet (Emhart)	●*		●		●						
Self-Pluggger	●*		●		●						
Ultra Grip (UG) (NPR)					⊗ (3)						
CD					● (3)						
Avex <sup>®</sup>	● (2)		● (2)		● (2)						
Stavex <sup>®</sup>	● (2)		● (2)		● (1)(3)						
Avinox <sup>®</sup> / Avibulb <sup>®</sup>	● (2)		● (2)	● (2)							
Avinox <sup>®</sup> XT / Avibulb <sup>®</sup> XT					● (1)(3)						
LSR/Bulbex <sup>®</sup>	● (2)		● (2)								
T-Lok <sup>®</sup>		● (2)	● (2)								
Avdel <sup>®</sup> SR	● (2)		● (2)		● (2)						
Hemlok <sup>®</sup>					● (1)(3)						
Interlock <sup>®</sup>			⊗ (2)		⊗ (1)(3)						
Maxlok <sup>®</sup>			● (3)		Ⓜ (3)						
Monobolt <sup>®</sup>			⊗ (1)(2)		⊗ (1)(3)						
Avtainer <sup>®</sup>									Ⓜ (1)(3)		
Avseal <sup>®</sup> (STD)				● (1)(3)		● (1)(3)	● (1)(3)	● (1)(3)	Ⓜ (1)(3)		
Avseal <sup>®</sup> (Low Press)							● (1)(3)	● (1)(3)	● (1)(3)	Ⓜ (1)(3)	Ⓜ (1)(3)
Q Rivet	● (2)		● (2)		● (2)						
T Rivet (Avdel)			● (1)(2)		● (1)(2)						
Avdelmate <sup>®</sup>			● (2)		● (2)						
Klamp-Tite <sup>®</sup> BAPK			⊗ (2)		⊗ (2)						
Klamp-Tite <sup>®</sup> BAPKTR			⊗ (1)(2)		⊗ (1)(2)						
Avdelok <sup>®</sup>			● (3)		Ⓜ (3)						

\* Používejte čelisti PRG540-46 a sestavu dorazu čelistí FAN276-064

\*\* Používejte čelisti PRG540-46.

● Použitelné pro oba modely XT3 a XT

⊗ Použitelné pouze pro model XT3

Ⓜ Použitelné pouze pro model XT4

(1) Vyžadována nestandardní hlavice

(2) Alternativní typ vybavení hlavice k dispozici

(3) Vyžadováno nestandardní vybavení hlavice.

Kompletní seznam kompatibilního vybavení hlavice pro každý typ nýtu, společně s pokyny pro sestavení a údržbu, najdete prosím v návodu Vybavení hlavice ProSet® 07900-09414

### 2.3 OBSAH BALENÍ

- 1 Nýtovací nářadí ProSet® XT3 nebo XT4 pro trhací nýty.
- 1 Sada standardního vybavení hlavy a koncová část pro nýty 4,8 mm [3/16"] a 6,4 mm [1/4"].
- 1 Tištěný návod k použití – dle regionu.

### 2.4 SEZNAM HLAVNÍCH DÍLŮ

Viz obr. 1 a 2 a níže uvedená tabulka.

Položka	Číslo dílu	Popis	Počet
1	76003-15000*	Standardní vybavení hlavice	1
2	76003-02022	Háček na zavěšení	1
3	76003-05200	Sběrač odstřížených nýtů	1
4	07001-00405	Zátka na olej	1
5	07003-00194	Těsnění	1
6	76003-02008	Spouštěcí spínač	1
7	76003-03700	Ventil zapnuto/vypnuto	1
8	71210-02103	Pojistná matice	1

### 2.5 STANDARDNÍ VYBAVENÍ HLAVICE

Viz obr. 2 a níže uvedená tabulka.

Položka	Číslo dílu	Popis	Počet
1c	PRN614	Hlavice – 4,8 mm (3/16") (ve vybavení)	1
1d	PRN811	Hlavice – 6,4 mm (1/4")	1
1e	76003-15001	Kryt hlavice	1
1f	07003-00067	O-kroužek	1
1g	DPN276-001	Vodítko čelistí	1
1h	PRG540-44	Čelisti	1 Sada
1i	DPN276-006	Doraz čelistí	1
1j	DPN900-060	O-kroužek	1
1k	DPN901-019	Pružina dorazu čelistí	1
1l	76003-15002	Tažná hlava	1
1m	76003-15004	Pojistka vodítka čelistí	1
1n	DPN901-020	Pružina	1
1o	76003-15003	Adaptér tažné hlavy	1
1p	07003-00277	O-kroužek	1

Doplňkové vybavení hlavice naleznete prosím v návodu Vybavení hlavice ProSet® 07900-09414 nebo navštivte adresu [www.stanleyengineeredfastening.com/resource-center/document-library](http://www.stanleyengineeredfastening.com/resource-center/document-library)

Kompletní seznam příslušenství nářadí naleznete prosím v návodu Příslušenství ProSet – 07900-09415.

\* Vybavení hlavice není dodáváno s modelem Proset XT3 (76003-01000) a modelem Proset XT4 (76004-01000).

### 3. NASTAVENÍ NÁŘADÍ

**DŮLEŽITÉ – PŘED POUŽITÍM TOHOTO NÁŘADÍ SI PEČLIVĚ PŘEČTĚTE BEZPEČNOSTNÍ PŘEDPISY NA STRANĚ 6 A 8.**

**DŮLEŽITÉ – PŘED NAsAZENÍM NEBO SEJMUTÍM SESTAVY HLAVICE MUSÍ BÝT PROVEDENO VYPNUTÍ NEBO ODPOJENÍ PŘÍVODU STLAČENÉHO VZDUCHU.**

#### 3.1 VYBAVENÍ HLAVICE (viz obr. 2)

Tučně vytištěná čísla položek odkazují na komponenty na obr. 1 a 2 a tabulky na straně 11.

Kompletní nářadí bude dodáno předem sestavené s hlavici na nýty 4,8 mm [3/16"].

Jedna přídatná hlavice na nýty 6,4 mm [1/4"] je dodávána samostatně.

#### Montáž hlavice

- Musí být odpojen přívod stlačeného vzduchu.
- Zvolte správnou hlavici pro nýty, jaké budete používat.
- Sejměte kryt hlavice (**1e**), včetně hlavice (**1a, b, c, nebo d**) a O-kroužek (**1f**).
- Vyměňte hlavici (**1a, b, c nebo d**) z krytu hlavice (**1e**).
- Vyberte si vhodnou velikost hlavice a proveďte sestavení podle postupu v opačném pořadí kroků.

#### Demontáž kompletního vybavení hlavice.

- Musí být odpojen přívod stlačeného vzduchu.
- Sejměte z nářadí kryt hlavice (**1e**), včetně hlavice (**1a, b, c nebo d**) a O-kroužek (**1f**).
- Přitáhněte dozadu pojistku vodička čelisti (**1m**) proti pružině (**1n**) a potom sejměte vodičko čelisti (**1g**).
- Sejměte čelisti (**1h**) z vodička čelistí (**1g**).
- Sejměte doraz čelistí (**1i**), O-kroužek (**1j**) a pružinu dorazu čelistí (**1k**) z tažné hlavy (**1l**).
- Sejměte sestavu tažné hlavy (**1q**) z pístu nářadí pomocí vhodných klíčů

#### Montáž kompletního vybavení hlavice

- Musí být odpojen přívod stlačeného vzduchu.
- Všechny opotřebované nebo poškozené části musí být vyměněny.
- Očistěte čelisti (**1h**) a zkontrolujte jejich opotřebování.
- Ujistěte se, zda nedošlo k deformaci dorazu čelistí (**1i**) nebo pružiny dorazu čelistí (**k**).
- Pokryjte čelisti (**1h**) tenkou vrstvou maziva na bázi lithia.
- Vložte čelisti (**1h**) do vodička čelistí (**1g**).
- Vložte doraz čelistí (**1i**) a O-kroužek (**1j**) do tažné hlavy (**1l**).
- Přitáhněte dozadu pojistku vodička čelistí (**1m**) a našroubujte vodičko čelistí (**1g**) zcela na tažnou hlavu (**1l**).
- Uvolněte pojistku vodička čelistí (**1m**) a potom částečně vyšroubujte vodičko čelistí (**1g**), dokud nedojde k zapadnutí zubů pojistky vodička čelistí (**1m**) do následující drážky na vodičku čelistí (**1g**).
- Nasadte kryt (**1e**) na vodičko čelistí (**1g**) a řádně jej utáhněte na nářadí.

Údržba sestavy hlavice musí být prováděna každý týden. Zajistěte, abyste měli na skladě dostatečný počet všech vnitřních dílů sestavy hlavice a koncových částí hlavice, protože tyto díly musí být pravidelně měněny.

#### 3.2 PŘÍVOD STLAČENÉHO VZDUCHU (viz obr. 3)

Součásti

- Uzavírací kohout (používán během údržby filtru/regulátoru nebo mazacích zařízení)
- Regulátor tlaku a filtr (každodenní vypouštění)
- Výpustný bod hlavního přívodu
- Bod připojení k hlavnímu přívodu

- Každé nářadí musí pracovat se stlačeným vzduchem s minimálním tlakem 5,0 baru.
- Regulátory tlaku a systémy automatického mazání/filtrace musí být použity na hlavním přívodu stlačeného vzduchu do 3 metrů od nářadí (viz obr. 3).
- Pracovní tlak hadic na stlačený vzduch musí minimálně odpovídat 150 % maximálního tlaku vytvářeného v systému nebo 10 barům, v závislosti na tom, který je vyšší.

- Hadice na stlačený vzduch musí být odolné proti olejům, vnější plášť musí být odolný proti oděru a v provozních podmínkách, ve kterých může dojít k poškození hadic, musí být hadice pancéřovány.
- Všechny hadice na stlačený vzduch MUSÍ mít minimální vnitřní průměr 6,4 mm.
- Zkontrolujte, zda nedochází k únikům stlačeného vzduchu. Zjistíte-li závadu, poškozené hadice a spojky musí být nahrazeny novými.
- Není-li na regulátoru tlaku žádný filtr, před připojením hadice se stlačeným vzduchem k nářadí odvdzušněte vedení stlačeného vzduchu, aby došlo k odstranění nahromaděných nečistot nebo vody.

### 3.3 PRINCIP FUNKCE

**UPOZORNĚNÍ – PRO ŘÁDNOU FUNKCI TOHOTO MONTÁŽNÍHO NÁŘADÍ JE VELMI DŮLEŽITÝ SPRÁVNÝ TLAK STLAČENÉHO VZDUCHU. BEZ NASTAVENÍ SPRÁVNÉHO TLAKU STLAČENÉHO VZDUCHU MŮŽE DOJÍT K ZRANĚNÍ OSOB NEBO K POŠKOZENÍ ZAŘÍZENÍ. TLAK DODÁVANÉHO STLAČENÉHO VZDUCHU NESMÍ PŘEKROČIT HODNOTU UVEDENOU V TECHNICKÝCH ÚDAJÍCH TOHOTO NÁŘADÍ.**

Tučně vtištěná čísla položek odkazují na komponenty na obr. 1 a 2 a tabulky na straně 11.

Jakmile bude k nýtovacímu nářadí připojena hadice se stlačeným vzduchem, tažné a vratné cykly nářadí jsou ovládány stisknutím a uvolněním spouštěcího spínače (6), který je umístěn v rukojeti.

- Přívod stlačeného vzduchu je odpojen.
- Připojte vhodné vybavení hlavice podle postupu na straně 10 a 12.
- Připojte hadici na stlačený vzduch k ventilu pro přívod vzduchu (7).
- Připojte hadici na stlačený vzduch k přívodnímu potrubí pro stlačený vzduch.
- Zapněte přívod stlačeného vzduchu do nářadí nastavením uzavíracího ventilu zapnuto/vypnuto (8) do horní polohy.
- Nyní bude stlačený vzduch přiváděn do nářadí a podtlakový systém bude v provozu.
- Několikrát přitáhněte a uvolněte spouštěcí spínač (6) až do úplného zdvihu nářadí, abyste zkontrolovali správnou funkci. Sledujte chod nářadí. Zkontrolujte, zda nedochází k únikům kapaliny nebo stlačeného vzduchu.

## 4. PRACOVNÍ POSTUP

### 4.1 PROVOZ NÁŘADÍ (viz obr. 1, 4, 5, 6)

#### Instalace trhacího nýtu

- Ujistěte se, zda je na nářadí nasazen sběrač (3).
- Vložte trhací nýt do hlavice (1 a, b, c nebo d). Podtlakový systém udrží nýt v hlavici nářadí.
- Nastavte nářadí do pracovní polohy.
- Zkontrolujte, zda je sestava hlavice v kolmé poloze (90°) vzhledem k obrobkou.
- Stiskněte a držte spouštěcí spínač (6), dokud nebude nýt zcela usazen na požadovaném místě.
- Jakmile bude trhací nýt řádně a kompletně usazen, uvolněte spouštěcí spínač (6). Nářadí se automaticky vrátí do své výchozí polohy. Trn nýtu spadne působením podtlakového systému automaticky do sběrače zbytků nýtů (3).
- Sběrač zbytků nýtů musí být vyprázdněn, jakmile bude z poloviny zaplněn.

**UPOZORNĚNÍ – NEPROVÁDĚJTE VKLÁDÁNÍ NÝTŮ NEBO JEJICH TRNŮ DO NÁŘADÍ SILOU. TAK BY DOŠLO K POŠKOZENÍ NÁŘADÍ NEBO K NESPRÁVNÉ APLIKACI.**

### 4.2 VYPRÁZDNĚNÍ SBĚRAČE ZBYTKŮ NÝTŮ (viz obr. 1)

**UPOZORNĚNÍ – NEPOUŽÍVEJTE TOTO NÁŘADÍ, JE-LI Z NĚJ SEJMUTÝ SBĚRAČ ODSTŘIŽENÝCH ZBYTKŮ NÝTŮ.**

- Toto nářadí je vybaveno rychloupínacím sběračem odstřížených zbytků nýtů (3).
- Otočení o 60° umožňuje sejmutí nebo výměnu sběrače.
- Sejmutí sběrače odstřížených zbytků nýtů (3) z nářadí automaticky VYPÍNÁ podtlakové uchycení nýtů a systém trhání nýtů.
- Opětovné upevnění sběrače zbytků nýtů podtlakový systém znovu ZAPÍNÁ.

## 5. SERVIS NÁRADÍ

### 5.1 INTERVALY ÚDRŽBY

U tohoto náradí musí být proškolenými osobami prováděna pravidelná údržba a každý rok nebo po provedení každých 500 000 pracovních cyklů, dle aktuálnosti, musí být provedena komplexní kontrola.



ODPOJTE PŘÍVOD STLAČENÉHO VZDUCHU



**UPOZORNĚNÍ** – K čištění nekovových součástí náradí nikdy nepoužívejte rozpouštědla nebo jiné agresivní látky.

*Tyto chemické látky mohou oslabit materiály použité v těchto částech.*

### 5.2 VYBAVENÍ HLAVICE

Údržba sestavy hlavice musí být prováděna každý týden nebo po provedení každých 5 000 pracovních cyklů. Zajistěte, abyste měli na skladě dostatečný počet všech vnitřních dílů sestavy hlavice a koncových částí hlavice, protože tyto díly musí být pravidelně měněny.

- Odpojte přívod stlačeného vzduchu.
- Podle postupu, který je uveden v části 3.1, sejměte kompletní sestavu hlavice.
- Zkontrolujte všechny komponenty. Všechny opotřebované nebo poškozené části musí být nahrazeny novými.
- Zkontrolujte zejména opotřebování čelistí (**1h**).
- Očistěte všechny díly a naneste mazivo na bázi lithia (07992-00020) na čelisti (**1h**) a na závitový otvor vodítka čelistí (**1g**).
- Proveďte sestavení podle pokynů pro instalaci v části 3.1.

### 5.3 DENNÍ ÚDRŽBA

- Před použitím zkontrolujte náradí, hadici se stlačeným vzduchem a spojky, zda nedochází k únikům vzduchu a oleje. Zjistíte-li jakékoli závady, přestaňte náradí používat a nahradte poškozené díly novými.
- Není-li na regulátoru tlaku žádný filtr, před připojením hadice se stlačeným vzduchem k náradí odvdzdušňte vedení stlačeného vzduchu, aby došlo k odstranění nahromaděných nečistot nebo vody. Je-li na vedení filtr, proveďte jeho vypuštění.
- Zkontrolujte, zda je vybavení hlavice (**1**) správně pro zvolený nýt a zda je nýt správně usazen.
- Zkontrolujte, zda zdvih náradí odpovídá minimální specifikaci (viz bod 2.1).
- Na náradí musí být nainstalován sběrač odstrižených zbytků nýtů (**3**).
- Zkontrolujte, zda je vzduchová komora řádně utažena do těla náradí.

### 5.4 TÝDENNÍ ÚDRŽBA

- Zkontrolujte náradí, hadici se stlačeným vzduchem a spojky, zda nedochází k únikům vzduchu a oleje. Zjistíte-li jakékoli závady, přestaňte náradí používat a nahradte poškozené díly novými.

Kompletní pokyny pro servis, odstraňování závad a údržbu najdete prosím v servisní příručce kat. č. 07900-09410 pro model XT3 a v servisní příručce kat. č. 07900-09411 pro model XT4.

Bezpečnostní údaje týkající se maziva a oleje použitých v tomto náradí najdete prosím v servisní příručce kat. č. 07900-09410 pro model XT3 a v servisní příručce kat. č. 07900-09411 pro model XT4.

### 5.5 OCHRANA ŽIVOTNÍHO PROSTŘEDÍ

Zajistěte shodu s platnými předpisy, které se týkají likvidace. Zlikvidujte všechny odpady ve schváleném zařízení nebo místě pro likvidaci odpadu, aby nedošlo k ohrožení osob nebo životního prostředí.



## 6. PROHLÁŠENÍ O SHODĚ

My, společnost **Stanley Engineered Fastening, Stanley House, Works Road, Letchworth Garden City, Hertfordshire, SG6 1JY VELKÁ BRITÁNIE**, prohlašujeme na svou výhradní odpovědnost, že výrobek:

**Popis:** Hydropneumatické nýtovačky ProSet® XT3 a ProSet® XT4 pro trhací nýty  
**Model:** POP-Avdel®/76003 a POP-Avdel®/76004

kterého se toto prohlášení týká, splňuje požadavky následujících harmonizovaných norem:

ISO 12100:2010	EN ISO 3744:2010
EN ISO 11202:2010	EN ISO 11148-1:2011
EN ISO 4413:2010	BS EN 28662-1:1993
EN ISO 4414:2010	EN ISO 20643:2008+A1:2012
EN ISO 28927-5:2009+A1:2015	ES100118-rev 17:2017

Technická dokumentace je vytvořena v souladu s požadavky Přílohy 1, část 1.7.4.1, v souladu s následující směrnici:

### 2006/42/EC Směrnice pro strojní zařízení

(Viz Zákonné nařízení 2008 č. 1597 - (Bezpečnostní) předpisy týkající se napájení strojních zařízení).

Níže podepsaná osoba činí toto prohlášení jménem společnosti STANLEY Engineered Fastening.



**A. K. Seewraj**

**Ředitel technického oddělení, VELKÁ BRITÁNIE**

Avdel UK Limited, Stanley House, Works Road, Letchworth Garden City, Hertfordshire,  
SG6 1JY VELKÁ BRITÁNIE

**Místo vydání:** Letchworth Garden City, VELKÁ BRITÁNIE

**Datum vydání:** 01. 13. 2017

Níže podepsaná osoba je odpovědná za sestavení souboru technické dokumentace pro výrobky prodávané v Evropské unii a činí toto prohlášení jménem společnosti Stanley Engineered Fastening.

**Matthias Appel**

**Vedoucí týmu Technická dokumentace**

Stanley Engineered Fastening, Tucker GmbH, Max-Eyth-Str.1,  
35394 Gießen, Německo



**Toto nářadí splňuje požadavky směrnice  
pro strojní zařízení 2006/42/EC**

## 7. PROHLÁŠENÍ O SHODĚ UK

My, společnost **Stanley Engineered Fastening, Stanley House, Works Road, Letchworth Garden City, Hertfordshire, SG6 1JY VELKÁ BRITÁNIE**, prohlašujeme na svou výhradní odpovědnost, že výrobek:

**Popis:** **Hydropneumatické nýtovačky ProSet® XT3 a ProSet® XT4 pro trhací nýty**  
**Model:** **POP-Avdel®/76003 a POP-Avdel®/76004**

kterého se toto prohlášení týká, splňuje požadavky následujících specifických norem:

ISO 12100:2010	EN ISO 3744:2010
EN ISO 11202:2010	EN ISO 11148-1:2011
EN ISO 4413:2010	BS EN 28662-1:1993
EN ISO 4414:2010	EN ISO 20643:2008+A1:2012
EN ISO 28927-5:2009+A1:2015	ES100118-rev 17:2017

Technická dokumentace je sestavována v souladu s předpisy o dodávkách strojních zařízení (Bezpečnost) z roku 2008, S.I. 2008/1597 (ve znění pozdějších předpisů).

Níže podepsaná osoba činí toto prohlášení jménem společnosti STANLEY Engineered Fastening.



**A. K. Seewraj**

**Ředitel technického oddělení, VELKÁ BRITÁNIE**

Avdel UK Limited, Stanley House, Works Road, Letchworth Garden City, Hertfordshire,  
SG6 1JY VELKÁ BRITÁNIE

**Místo vydání:** **Letchworth Garden City, VELKÁ BRITÁNIE**

**Datum vydání:** **01. 13. 2017**



**Toto strojní zařízení je ve shodě  
s Předpisy o dodávkách strojních zařízení  
(bezpečnost) z roku 2008,  
S.I. 2008/1597 (ve znění pozdějších předpisů)**

## 8. CHRAŇTE SVOU INVESTICI!

### 8.1 ZÁRUKA NA NÝTOVACÍ NÁŘADÍ PRO TRHACÍ NÝTY POP® AVDEL®

Společnost STANLEY Engineered Fastening zaručuje, že každé její nářadí bylo pečlivě vyrobeno a že při normálním použití a při provádění běžné údržby se během jednoho (1) roku na tomto nářadí neobjeví závady způsobené vadou materiálu nebo špatným dílenským zpracováním.

Tato záruka se vztahuje na prvního kupujícího, který toto nářadí bude používat pouze pro určené účely.

#### **Nevztahuje se na:**

##### **Běžné opotřebování.**

Tato záruka se nevztahuje na pravidelnou údržbu, opravy a náhradní díly vyměňované v důsledku běžného opotřebování.

##### **Špatné a nesprávné použití.**

Tato záruka se nevztahuje na závady a poškození, která jsou výsledkem nesprávné obsluhy, nesprávného uložení, špatného a nesprávného použití, nehody nebo zanedbání údržby.

##### **Neautorizovaný servis nebo neschválené úpravy.**

Tato záruka se nevztahuje na závady nebo poškození vyplývající z provozu, zkušebního nastavení, instalace, údržby, úprav nebo změn, které jsou prováděny mimo servis STANLEY Engineered Fastening nebo mimo autorizované servisy této společnosti.

Všechny ostatní záruky, ať už vyjádřené nebo předpokládané, včetně záruk obchodovatelnosti a vhodnosti pro daný účel, jsou tímto vyloučeny.

Nebude-li toto nářadí splňovat požadavky záruky, vraťte toto nářadí neprodleně do našeho nejbližšího autorizovaného servisu. Seznam autorizovaných servisů společnosti POP® Avdel® na území USA nebo Kanady získáte na následujícím bezplatném telefonním čísle (877)364 2781.

Mimo území USA a Kanady navštivte naše internetové stránky **[www.StanleyEngineeredFastening.com](http://www.StanleyEngineeredFastening.com)**, abyste mohli najít nejbližší autorizovaný servis STANLEY Engineered Fastening.

Společnost STANLEY Engineered Fastening potom provede bezplatnou výměnu jakékoli části nebo částí, u kterých byly zjištěny závady v důsledku vady materiálu nebo špatného dílenského zpracování. Nářadí bude odesláno zpět na náklady zákazníka. To představuje naši jedinou povinnost vyplývající z této záruky.

Společnost STANLEY Engineered Fastening v žádném případě neponese žádnou odpovědnost za jakékoli následné nebo speciální škody vyplývající z nákupu nebo používání tohoto nářadí.

### 8.2 ZAREGISTRUJTE SVOU NÝTOVAČKU PRO TRHACÍ NÝTY ONLINE.

Chcete-li provést registraci vaší záruky online, navštivte naše stránky <http://www.stanleyengineeredfastening.com/popavdel-powertools/warranty-card>.

Děkujeme vám za zakoupení našeho nářadí pod značkou STANLEY Engineered Fastening's POP® Avdel®.

©2017 Stanley Black & Decker inc.

Με την επιφύλαξη κάθε δικαιώματος.

Οι παρεχόμενες πληροφορίες δεν επιτρέπεται να αναπαραχθούν εν όλω ή εν μέρει και/ή να δημοσιοποιηθούν με οποιονδήποτε τρόπο (ηλεκτρονικά ή μηχανικά) χωρίς προηγούμενη ρητή και γραπτή άδεια από την STANLEY Engineered Fastening. Οι παρεχόμενες πληροφορίες βασίζονται στα δεδομένα που ήταν γνωστά κατά την ημερομηνία της εισαγωγής του προϊόντος αυτού στην αγορά. Η STANLEY Engineered Fastening ακολουθεί μια πολιτική συνεχούς βελτίωσης του προϊόντος και επομένως τα προϊόντα μπορεί να υπόκεινται σε αλλαγή. Οι παρεχόμενες πληροφορίες έχουν εφαρμογή στο προϊόν όπως αυτό παραδίδεται από την STANLEY Engineered Fastening. Επομένως, η STANLEY Engineered Fastening δεν μπορεί να θεωρηθεί υπεύθυνη για οποιαδήποτε ζημία προκληθεί λόγω αποκλίσεων από τις αρχικές προδιαγραφές του προϊόντος.

Οι διαθέσιμες πληροφορίες έχουν στοιχειοθετηθεί με τη μέγιστη προσοχή. Ωστόσο, η STANLEY Engineered Fastening δεν θα αποδεχθεί καμία ευθύνη σε σχέση με τυχόν σφάλματα στις πληροφορίες ούτε και για τις συνέπειες αυτών. Η STANLEY Engineered Fastening δεν θα αποδεχθεί καμία ευθύνη για ζημιές προκαλούμενες από δραστηριότητες πραγματοποιούμενες από τρίτους. Οι ονομασίες εργασίας, οι εμπορικές ονομασίες, τα καταχωρημένα εμπορικά σήματα κλπ. που χρησιμοποιούνται από την STANLEY Engineered Fastening δεν θα πρέπει να θεωρούνται ότι είναι ελεύθερα, βάσει την νομοθεσίας περί της προστασίας των εμπορικών σημάτων.

## ΠΕΡΙΕΧΟΜΕΝΑ

<b>1.</b>	<b>ΟΡΙΣΜΟΙ ΑΣΦΑΛΕΙΑΣ</b> .....	<b>2</b>
1.1	ΓΕΝΙΚΟΙ ΚΑΝΟΝΕΣ ΑΣΦΑΛΕΙΑΣ.....	2
1.2	ΚΙΝΔΥΝΟΙ ΑΠΟ ΕΚΤΙΝΑΣΣΟΜΕΝΑ ΑΝΤΙΚΕΙΜΕΝΑ.....	3
1.3	ΚΙΝΔΥΝΟΙ ΑΠΟ ΤΗ ΛΕΙΤΟΥΡΓΙΑ.....	3
1.4	ΚΙΝΔΥΝΟΙ ΑΠΟ ΕΠΑΝΑΛΑΜΒΑΝΟΜΕΝΕΣ ΚΙΝΗΣΕΙΣ.....	3
1.5	ΚΙΝΔΥΝΟΙ ΑΠΟ ΑΞΕΣΟΥΑΡ.....	3
1.6	ΚΙΝΔΥΝΟΙ ΑΠΟ ΤΟΝ ΧΩΡΟ ΕΡΓΑΣΙΑΣ.....	4
1.7	ΚΙΝΔΥΝΟΙ ΑΠΟ ΘΟΥΡΥΒΟ.....	4
1.8	ΚΙΝΔΥΝΟΙ ΑΠΟ ΚΡΑΔΑΣΜΟΥΣ.....	4
1.9	ΠΡΟΣΘΕΤΕΣ ΟΔΗΓΙΕΣ ΑΣΦΑΛΕΙΑΣ ΓΙΑ ΠΝΕΥΜΑΤΙΚΑ ΕΡΓΑΛΕΙΑ ΙΣΧΥΟΣ.....	4
<b>2.</b>	<b>ΠΡΟΔΙΑΓΡΑΦΕΣ</b> .....	<b>5</b>
2.1.	ΠΡΟΔΙΑΓΡΑΦΕΣ ΕΡΓΑΛΕΙΩΝ.....	5
2.2	ΠΡΟΔΙΑΓΡΑΦΕΣ ΤΟΠΟΘΕΤΗΣΗΣ.....	6
2.3	ΠΕΡΙΕΧΟΜΕΝΑ ΣΥΣΚΕΥΑΣΙΑΣ.....	7
2.4	ΛΙΣΤΑ ΚΥΡΙΩΝ ΜΕΡΩΝ.....	7
2.5	ΤΥΠΙΚΟΣ ΕΞΟΠΛΙΣΜΟΣ ΜΥΤΗΣ.....	7
<b>3.</b>	<b>ΔΙΑΜΟΡΦΩΣΗ ΤΟΥ ΕΡΓΑΛΕΙΟΥ</b> .....	<b>8</b>
3.1	ΕΞΟΠΛΙΣΜΟΣ ΜΥΤΗΣ (Βλ. εικ. 2).....	8
3.2	ΠΑΡΟΧΗ ΑΕΡΑ (Βλ. εικ. 3).....	9
3.3	ΑΡΧΗ ΛΕΙΤΟΥΡΓΙΑΣ.....	9
<b>4.</b>	<b>ΔΙΑΔΙΚΑΣΙΑ ΛΕΙΤΟΥΡΓΙΑΣ</b> .....	<b>10</b>
4.1	ΛΕΙΤΟΥΡΓΙΑ ΤΟΥ ΕΡΓΑΛΕΙΟΥ (Βλ. εικ. 1, 4, 5, 6).....	10
4.2	ΑΔΕΙΑΣΜΑ ΤΟΥ ΣΥΛΛΕΚΤΗ ΑΞΟΝΩΝ (Βλ. εικ. 1).....	10
<b>5.</b>	<b>ΣΕΡΒΙΣ ΤΟΥ ΕΡΓΑΛΕΙΟΥ</b> .....	<b>11</b>
5.1	ΣΥΧΝΟΤΗΤΑ ΣΥΝΤΗΡΗΣΗΣ.....	11
5.2	ΕΞΟΠΛΙΣΜΟΣ ΜΥΤΗΣ.....	11
5.3	ΚΑΘΗΜΕΡΙΝΟ ΣΕΡΒΙΣ.....	11
5.4	ΕΒΔΟΜΑΔΙΑΙΟ ΣΕΡΒΙΣ.....	11
5.5	ΠΡΟΣΤΑΣΙΑ ΤΟΥ ΠΕΡΙΒΑΛΛΟΝΤΟΣ.....	11
<b>6.</b>	<b>ΔΗΛΩΣΗ ΣΥΜΜΟΡΦΩΣΗΣ ΕΕ</b> .....	<b>12</b>
<b>7.</b>	<b>ΔΗΛΩΣΗ ΣΥΜΜΟΡΦΩΣΗΣ ΗΝ. ΒΑΣΙΛΕΙΟΥ</b> .....	<b>13</b>
<b>8.</b>	<b>ΠΡΟΣΤΑΤΕΥΤΕ ΤΗΝ ΕΠΕΝΔΥΣΗ ΣΑΣ!</b> .....	<b>14</b>
8.1	ΕΓΓΥΗΣΗ ΕΡΓΑΛΕΙΟΥ ΤΟΠΟΘΕΤΗΣΗΣ ΤΥΦΛΩΝ ΠΡΙΤΣΙΝΙΩΝ POP*ANDEL®.....	14
8.2	ΚΑΤΑΧΩΡΙΣΤΕ ONLINE ΤΟ ΕΡΓΑΛΕΙΟ ΣΑΣ ΤΟΠΟΘΕΤΗΣΗΣ ΤΥΦΛΩΝ ΠΡΙΤΣΙΝΙΩΝ.....	14



Αυτό το εγχειρίδιο οδηγιών πρέπει να το διαβάσει κάθε άτομο που εγκαθιστά ή χρησιμοποιεί το εργαλείο, δίνοντας ιδιαίτερη προσοχή στους κανόνες ασφαλείας που ακολουθούν.



Πάντα κατά τη λειτουργία του εργαλείου να φοράτε προστασία ματιών ανθεκτική σε πρόσκρουση. Ο βαθμός προστασίας που απαιτείται θα πρέπει να αξιολογείται για κάθε χρήση.



Χρησιμοποιείτε προστασία ακοής σύμφωνα με τις οδηγίες του εργοδότη και όπως απαιτείται από τους κανονισμούς υγιεινής και ασφάλειας εργασίας.



Η χρήση του εργαλείου μπορεί να εκθέσει τα χέρια του χειριστή σε κινδύνους, περιλαμβανομένης σύνθλιψης, προσκρούσεων, κοψιμάτων και εκδορών, καθώς και θερμότητας. Φοράτε κατάλληλα γάντια για να προστατεύετε τα χέρια σας.

## 1. ΟΡΙΣΜΟΙ ΑΣΦΑΛΕΙΑΣ

Οι παρακάτω ορισμοί περιγράφουν το επίπεδο σοβαρότητας για κάθε προειδοποιητική λέξη. Παρακαλούμε διαβάστε το εγχειρίδιο και δώστε προσοχή σε αυτά τα σύμβολα.



**ΚΙΝΔΥΝΟΣ:** Υποδεικνύει μια επικείμενη επικίνδυνη κατάσταση, η οποία, αν δεν αποφευχθεί, θα έχει ως αποτέλεσμα θάνατο ή σοβαρό τραυματισμό.



**ΠΡΟΕΙΔΟΠΟΙΗΣΗ:** Υποδεικνύει μια δυνητικά επικίνδυνη κατάσταση, η οποία, αν δεν αποφευχθεί, θα μπορούσε να προκαλέσει θάνατο ή σοβαρό τραυματισμό.



**ΠΡΟΣΟΧΗ:** Υποδηλώνει μια δυνητικά επικίνδυνη κατάσταση, η οποία, αν δεν αποφευχθεί, μπορεί να έχει ως αποτέλεσμα μικρής ή μέτριας σοβαρότητας τραυματισμό.

**ΠΡΟΣΟΧΗ:** Όταν χρησιμοποιείται χωρίς το σύμβολο προειδοποίησης ασφαλείας ενημερώνει για μια δυνητικά επικίνδυνη κατάσταση η οποία, αν δεν αποφευχθεί, μπορεί να έχει ως αποτέλεσμα υλικές ζημιές.

**Η ακατάλληλη χρήση ή συντήρηση αυτού του προϊόντος θα μπορούσε να έχει ως αποτέλεσμα σοβαρό τραυματισμό και υλικές ζημιές.**

**Διαβάστε και κατανοήστε όλες τις προειδοποιήσεις και τις οδηγίες χρήσης πριν χρησιμοποιήσετε αυτόν τον εξοπλισμό. Όταν χρησιμοποιείτε ηλεκτρικά εργαλεία, πρέπει να τηρείτε πάντα βασικές προφυλάξεις ασφαλείας για να μειώσετε τον κίνδυνο τραυματισμού.**

### ΦΥΛΑΞΤΕ ΟΛΕΣ ΤΙΣ ΠΡΟΕΙΔΟΠΟΙΗΣΕΙΣ ΚΑΙ ΟΔΗΓΙΕΣ ΓΙΑ ΜΕΛΛΟΝΤΙΚΗ ΑΝΑΦΟΡΑ

#### 1.1 ΓΕΝΙΚΟΙ ΚΑΝΟΝΕΣ ΑΣΦΑΛΕΙΑΣ

- Για πολλαπλούς κινδύνους, διαβάστε και κατανοήστε τις οδηγίες ασφαλείας πριν την εγκατάσταση, τη χρήση, την επισκευή, τη συντήρηση, την αλλαγή αξεσουάρ ή την εργασία κοντά στο εργαλείο. Σε αντίθετη περίπτωση μπορεί να προκύψει σοβαρή σωματική βλάβη.
- Μόνο εξειδικευμένοι και εκπαιδευμένοι χειριστές επιτρέπεται να εγκαθιστούν, ρυθμίζουν ή χρησιμοποιούν το εργαλείο.
- ΜΗ χρησιμοποιείτε το εργαλείο εκτός της προβλεπόμενης χρήσης του που είναι η τοποθέτηση τυφλών πριτσινιών της STANLEY Engineered Fastening.
- Χρησιμοποιείτε μόνο εξαρτήματα, στοιχεία στερέωσης και αξεσουάρ που συνιστά ο κατασκευαστής.
- ΜΗΝ τροποποιήσετε το εργαλείο. Οι τροποποιήσεις μπορούν να μειώσουν την αποτελεσματικότητα των μέτρων ασφαλείας και να αυξήσουν τους κινδύνους για τον χειριστή. Η ευθύνη για οποιαδήποτε τροποποίηση γίνεται στο εργαλείο από τον πελάτη θα βαρύνει αποκλειστικά και πλήρως τον πελάτη και μια τέτοια ενέργεια θα ακυρώσει όλες τις ισχύουσες εγγυήσεις.
- Μην πετάξετε τις οδηγίες ασφαλείας, αλλά δίνετε τις στον χειριστή.
- Μη χρησιμοποιήσετε το εργαλείο αν έχει υποστεί ζημιά.
- Πριν τη χρήση, ελέγξτε για εσφαλμένη ευθυγράμμιση ή φρακάρισμα κινούμενων τμημάτων, θραύση εξαρτημάτων και οποιοδήποτε άλλες συνθήκες, οι οποίες επηρεάζουν τη λειτουργία του εργαλείου. Αν το εργαλείο έχει υποστεί ζημιά, φροντίστε να επισκευαστεί πριν το χρησιμοποιήσετε. Αφαιρέστε κάθε εργαλείο ή κλειδί ρύθμισης πριν τη χρήση.
- Τα εργαλεία θα πρέπει να επιθεωρούνται τακτικά για να επαληθεύεται ότι τα ονομαστικά στοιχεία και οι φρέζες που απαιτούνται από αυτό το τμήμα του ISO 11148 επισημαίνονται με ενανάντηστο τρόπο πάνω στο εργαλείο. Ο φορέας λειτουργίας/ο χρήστης θα πρέπει να επικοινωνήσει με τον κατασκευαστή για να αποκτήσει ανταλλακτικές ετικέτες σήμανσης όταν χρειαστεί.
- Το εργαλείο πρέπει να συντηρείται πάντα σε ασφαλείς συνθήκες εργασίας και να ελέγχεται σε τακτικά διαστήματα από εκπαιδευμένο προσωπικό για ζημιές και καλή λειτουργία. Οποιαδήποτε διαδικασία αποσυρμολόγησης θα γίνεται μόνο από εκπαιδευμένο προσωπικό. Μην αποσυρμολογήσετε το εργαλείο χωρίς να έχετε προηγουμένως μελετήσει τις οδηγίες συντήρησης.

## 1.2 ΚΙΝΔΥΝΟΙ ΑΠΟ ΕΚΤΙΝΑΣΣΟΜΕΝΑ ΑΝΤΙΚΕΙΜΕΝΑ

- Αποσυνδέστε την παροχή αέρα από το εργαλείο πριν πραγματοποιήσετε οποιαδήποτε εργασία συντήρησης ή επιχειρήσετε να ρυθμίσετε, τοποθετήσετε ή αφαιρέσετε ένα συγκρότημα μύτης ή αξεσουάρ.
- Να έχετε υπόψη σας ότι τυχόν μηχανική αστοχία του αντικειμένου εργασίας ή των αξεσουάρ, ή ακόμα και του ίδιου του εργαλείου που έχει εισαχθεί, μπορεί να προκαλέσει την εκτόξευση αντικειμένων υπό υψηλή ταχύτητα.
- Πάντα κατά τη λειτουργία του εργαλείου να φοράτε προστασία ματιών ανθεκτική σε πρόσκρουση. Ο βαθμός προστασίας που απαιτείται θα πρέπει να αξιολογείται για κάθε χρήση.
- Επίσης τότε θα πρέπει να αξιολογούνται και οι κίνδυνοι για άλλους.
- Να διασφαλίζετε ότι το αντικείμενο εργασίας είναι στερεωμένο σταθερά.
- Ελέγξτε ότι το μέσο προστασίας από εκτόξευση στοιχείου στερέωσης και/ή άξονα είναι στη θέση του και είναι λειτουργικό.
- ΜΗ χρησιμοποιείτε το εργαλείο χωρίς εγκατεστημένο το συλλέκτη αξόνων.
- Προειδοποιήστε έναντι πιθανής ισχυρής εκτόξευσης αξόνων από το μπροστινό μέρος του εργαλείου.
- ΜΗ χρησιμοποιείτε εργαλείο που έχει στραφεί προς οποιοδήποτε άτομο (ή άτομα).

## 1.3 ΚΙΝΔΥΝΟΙ ΑΠΟ ΤΗ ΛΕΙΤΟΥΡΓΙΑ

- Η χρήση του εργαλείου μπορεί να εκθέσει τα χέρια του χειριστή σε κινδύνους, περιλαμβανομένης σύνθλιψης, προσκρούσεων, κοψιμάτων και εκδορών, καθώς και θερμότητας. Φοράτε κατάλληλα γάντια για να προστατευτείτε τα χέρια σας.
- Οι χειριστές και το προσωπικό συντήρησης θα πρέπει να είναι σωματικά ικανοί να χειρίζονται τον όγκο, το βάρος και την ισχύ του εργαλείου.
- Κρατάτε το εργαλείο σωστά: να είστε έτοιμοι να αντιδράσετε σε κανονικές ή απότομες κινήσεις, και να έχετε και τα δύο χέρια σας διαθέσιμα.
- Διατηρείτε τις λαβές του εργαλείου στεγνές, καθαρές και απαλλαγμένες από λάδι και γράσο.
- Διατηρείτε μια ισορροπημένη στάση σώματος και ασφαλή στήριξη στα πόδια σας όταν χρησιμοποιείτε το εργαλείο.
- Ελευθερώστε τη διάταξη εκκίνησης-διακοπής λειτουργίας σε περίπτωση διακοπής της παροχής αέρα.
- Χρησιμοποιείτε μόνο λιπαντικά που συνιστά ο κατασκευαστής.
- Πρέπει να αποφεύγετε την επαφή με υδραυλικό υγρό. Για να ελαχιστοποιήσετε την πιθανότητα ερυθρημάτων, πρέπει να προσέχετε να πλένετε σχολαστικά σε περίπτωση επαφής.
- Δελητή δεδομένων ασφαλείας για όλα τα υδραυλικά λάδια και λιπαντικά είναι διαθέσιμα από τον προμηθευτή του εργαλείου σας κατόπιν αιτήματος.
- Αποφεύγετε μη ενδεδειγμένες στάσεις σώματος, επειδή πιθανότατα αυτές οι θέσεις δεν θα σας επιτρέψουν να αντιδράσετε σε κανονική ή μη αναμενόμενη κίνηση του εργαλείου.
- Αν το εργαλείο έχει στερεωθεί σε μια διάταξη ανάρτησης, βεβαιωθείτε ότι η στερέωση είναι ασφαλής.
- Να έχετε υπόψη σας τον κίνδυνο σύνθλιψης ή συμπίεσης αν δεν έχει τοποθετηθεί εξοπλισμός μύτης.
- ΜΗ χρησιμοποιήσετε το εργαλείο αν έχει αφαιρεθεί το περιβλήμα μύτης.
- Απαιτείται επαρκής απόσταση για τα χέρια του χειριστή του εργαλείου πριν τη συνέχεια.
- Όταν μεταφέρετε το εργαλείο από θέση σε θέση, κρατάτε τα χέρια μακριά από τη σκανδάλη για να αποφύγετε αθέλητη ενεργοποίηση.
- ΜΗΝ κακομεταχειρίζεστε το εργαλείο ρίχνοντάς το κάτω ή χρησιμοποιώντας το σαν σφυρί.
- Θα πρέπει να φροντίζετε να διασφαλίζετε ότι οι άχρηστοι άξονες δεν δημιουργούν κίνδυνο.
- Πρέπει να αδειάζετε το συλλέκτη αξόνων όταν έχει γεμίσει περίπου ως τη μέση.

## 1.4 ΚΙΝΔΥΝΟΙ ΑΠΟ ΕΠΑΝΑΛΑΜΒΑΝΟΜΕΝΕΣ ΚΙΝΗΣΕΙΣ

- Κατά τη χρήση του εργαλείου, ο χειριστής μπορεί να αισθανθεί δυσφορία στα χέρια, στους βραχίονες, στους ώμους, στον αυχένα ή σε άλλα μέρη του σώματος.
- Κατά τη χρήση του εργαλείου, ο χειριστής θα πρέπει να υιοθετήσει μια άνετη στάση σώματος ενώ διατηρεί ασφαλή στήριξη στα πόδια του και αποφεύγει άβολες ή μη ευσταθείς στάσεις του σώματος. Ο χειριστής θα πρέπει να αλλάζει στάση σώματος κατά τη διάρκεια παρατεταμένων εργασιών, επειδή αυτό μπορεί να βοηθήσει στην αποφυγή της δυσφορίας και της κόρασης.
- Αν ο χειριστής αισθανθεί συμπτώματα όπως επίμονη ή επαναλαμβανόμενη δυσφορία, στιγμιαίο ή διαρκή πόνο, παλμική αίσθηση, μυρμηγκιασμο, μούδιασμα, αίσθηση καύσου ή δυσκαμψία, δεν πρέπει να αγνοήσει αυτά τα προειδοποιητικά σήματα. Ο χειριστής θα πρέπει να αναφέρει στον εργοδότη και να συμβουλευτεί έναν εξειδικευμένο επαγγελματία υγείας.

## 1.5 ΚΙΝΔΥΝΟΙ ΑΠΟ ΑΞΕΣΟΥΑΡ

- Αποσυνδέετε το εργαλείο από την παροχή αέρα πριν τοποθετήσετε ή αφαιρέσετε το συγκρότημα μύτης ή αξεσουάρ.
- Χρησιμοποιείτε μόνο μεγέθη και τύπους αξεσουάρ και αναλώσιμων που συνιστά ο κατασκευαστής του εργαλείου - μη χρησιμοποιείτε άλλους τύπους ή μεγέθη αξεσουάρ ή αναλώσιμων.

**1.6 ΚΙΝΔΥΝΟΙ ΑΠΟ ΤΟΝ ΧΩΡΟ ΕΡΓΑΣΙΑΣ**

- Τα γλιστρήματα, τα παραπατήματα και οι πτώσεις είναι από τις κύριες αιτίες τραυματισμών στον χώρο εργασίας. Να προσέχετε τις ολισθηρές επιφάνειες που προκύπτουν από τη χρήση αυτού του εργαλείου και επίσης τους κινδύνους παραπατήματος που προκαλούνται από τη χρήση του αγωγού αέρα ή του υδραυλικού εύκαμπτου σωλήνα.
- Να ενεργείτε με προσοχή σε περιβάλλοντα με τα οποία δεν είστε εξοικειωμένοι. Μπορεί να υπάρχουν κρυφοί κίνδυνοι, όπως αγωγοί ρεύματος ή άλλων παροχών κοινής ωφελείας.
- Το εργαλείο δεν προορίζεται για χρήση σε δυναμικά εκρήξιμες ατμόσφαιρες και δεν διαθέτει μόνωση έναντι επαφής με ηλεκτρικό ρεύμα.
- Να βεβαιώνετε ότι δεν υπάρχουν ηλεκτρικά καλώδια, σωλήνες αερίων κλπ., που μπορούν να προκαλέσουν κίνδυνο αν υποστούν ζημιά από τη χρήση του εργαλείου.
- Φοράτε κατάλληλο ρουχισμό. Μη φοράτε ρούχα με χαλαρή εφαρμογή ούτε κοσμήματα. Κρατάτε τα μαλλιά, τα ρούχα και τα γάντια σας μακριά από κινούμενα μέρη. Τα χαλαρά ρούχα, τα κοσμήματα και τα μακριά μαλλιά μπορούν να πιαστούν σε κινούμενα μέρη.
- Θα πρέπει να φροντίζετε να διασφαλίζετε ότι οι άχρηστοι άξονες δεν δημιουργούν κίνδυνο.

**1.7 ΚΙΝΔΥΝΟΙ ΑΠΟ ΘΟΥΡΥΒΟ**

- Η έκθεση σε υψηλά επίπεδα θορύβου χωρίς προστασία μπορεί να προκαλέσει μόνιμη απώλεια ακοής και κώφωση, αλλά και άλλα προβλήματα όπως εμβοή (ήχος σαν κουδούνισμα, βούισμα, σφύριγμα ή μουρμουρητό στα αυτιά). Επομένως, είναι απαραίτητη μια αξιολόγηση κινδύνων και η εφαρμογή κατάλληλων μέτρων ελέγχου για τους κινδύνους αυτούς.
- Τα κατάλληλα μέτρα ελέγχου για τη μείωση του κινδύνου μπορεί να περιλαμβάνουν ενέργειες όπως η χρήση υλικών απόσβεσης για τη αποτροπή της δημιουργία ήχου "κουδούνισματος" από τα αντικείμενα εργασίας.
- Χρησιμοποιείτε προστασία ακοής σύμφωνα με τις οδηγίες του εργοδότη και όπως απαιτείται από τους κανονισμούς υγιεινής και ασφάλειας εργασίας.
- Χρησιμοποιείτε και συντηρείτε το εργαλείο όπως συνιστάται στο εγχειρίδιο οδηγιών, για να αποτρέψετε άσκοπη αύξηση των επιπέδων θορύβου.
- Βεβαιωθείτε ότι ο σιαστήρας μέσα στον συλλέκτη αξόνων είναι στη θέση του και σε καλή λειτουργική κατάσταση όταν χρησιμοποιείται το εργαλείο.

**1.8 ΚΙΝΔΥΝΟΙ ΑΠΟ ΚΡΑΔΑΣΜΟΥΣ**

- Η έκθεση σε κραδασμούς μπορεί να προκαλέσει βλάβη σε βαθμό αναπηρίας στα νεύρα και στην παροχή αίματος των χεριών και των βραχιόνων.
- Να φοράτε ζεστό ρουχισμό όταν εργάζεστε σε κρύες συνθήκες, και να διατηρείτε τα χέρια σας ζεστά και στεγνά.
- Αν αισθανθείτε μούδιασμα, μυρμήγκιασμα, πόνο ή άσπρισμα του δέρματος στα δάχτυλα ή στα χέρια σας, σταματήστε τη χρήση του εργαλείου, ενημερώστε τον εργοδότη σας και συμβουλευτείτε γιατρό.
- Όταν είναι εφικτό, υποστηρίξτε το βάρος του εργαλείου σε μια βάση, εντατήρα ή συσκευή ισορρόπησης, επειδή τότε μπορεί να χρησιμοποιηθεί ελαφρύτερο κράτημα για την υποστήριξη του εργαλείου.

**1.9 ΠΡΟΣΘΕΤΕΣ ΟΔΗΓΙΕΣ ΑΣΦΑΛΕΙΑΣ ΓΙΑ ΠΝΕΥΜΑΤΙΚΑ ΕΡΓΑΛΕΙΑ ΙΣΧΥΟΣ**

- Η παροχή αέρα λειτουργίας δεν πρέπει να υπερβεί τα 7 bar (100 psi).
- Ο αέρας υπό πίεση μπορεί να προκαλέσει βαρύτατο τραυματισμό.
- Ποτέ μην αφήνετε το εργαλείο χωρίς επίβλεψη όταν είναι ενεργοποιημένο. Αποσυνδέετε τον εύκαμπο σωλήνα αέρα όταν δεν χρησιμοποιείτε το εργαλείο, πριν αλλάξετε αξεσουάρ ή όταν πραγματοποιείτε επισκευές.
- ΜΗΝ αφήνετε το άνοιγμα εξόδου αέρα στη μετωπική επιφάνεια του συλλέκτη αξόνων να είναι στραμμένο προς την κατεύθυνση του χειριστή ή άλλων ατόμων. Ποτέ μην κατευθύνετε τον αέρα προς τον εαυτό σας ή οποιονδήποτε άλλον.
- Οι εύκαμπτοι σωλήνες που πλαταγίζουν μπορούν να προκαλέσουν βαρύ τραυματισμό. Πάντα να ελέγχετε για εύκαμπτους σωλήνες ή εξαρτήματα σύνδεσης που έχουν υποστεί ζημιά ή έχουν λασκάρει.
- Πριν τη χρήση, ελέγξτε τους αγωγούς αέρα για ζημιές - όλες οι συνδέσεις πρέπει να είναι καλά σφιγμένες. Μη ρίχνετε βαριά αντικείμενα πάνω στους εύκαμπτους σωλήνες. Ένα δυνατό χτύπημα μπορεί να προκαλέσει εσωτερικές ζημιές και να οδηγήσει σε πρόωρη αστοχία του εύκαμπτου σωλήνα.
- Ο κρύος αέρας πρέπει να κατευθύνεται μακριά από τα χέρια.
- Όταν χρησιμοποιείτε γενικής χρήσης συζεύξεις συστροφής (συζεύξεις με ειδικές σιαγόνες), θα πρέπει να εγκαθίστανται πείροι ασφάλισης και συρματοσχοίνα ασφαλείας για έλεγχο του πλαταγίσματος, για προστασία από ενδεχόμενη αστοχία σύνδεσης εύκαμπτου σωλήνα προς εργαλείο ή εύκαμπτου σωλήνα προς εύκαμπο σωλήνα.
- ΜΗΝ ανυψώνετε το εργαλείο τοποθέτησης από τον εύκαμπο σωλήνα. Πάντα να χρησιμοποιείτε τη λαβή του εργαλείου τοποθέτησης.

- Οι οπές εξαερισμού δεν πρέπει να φράζονται ή να καλύπτονται.
- Κρατάτε τις ακαθαρσίες και τα ξένα υλικά έξω από το υδραυλικό σύστημα του εργαλείου, γιατί αυτά θα προκαλέσουν δυσλειτουργία του εργαλείου.

**Η πολιτική της STANLEY Engineered Fastening είναι πολιτική συνεχούς ανάπτυξης και βελτίωσης των προϊόντων και επιφυλασσόμαστε του δικαιώματος να αλλάζουμε τις προδιαγραφές οποιουδήποτε προϊόντος χωρίς προηγούμενη ειδοποίηση.**

## 2. ΠΡΟΔΙΑΓΡΑΦΕΣ

Τα ProSet® XT3 & XT4 είναι υδροπνευματικά εργαλεία σχεδιασμένα για την τοποθέτηση με υψηλή ταχύτητα τυφλών πριτσινιών Stanley Engineered Fastening. Τα εργαλεία διαθέτουν σύστημα υποπίεσης για τη συγκράτηση των πριτσινιών και την απρόσκοπτη συλλογή των άχρηστων αξόνων, ανεξάρτητα από τον προσανατολισμό του εργαλείου.

Όταν συνδεθούν με τον αντίστοιχο εξοπλισμό μύτης, τα εργαλεία ProSet® XT3 & XT4 μπορούν να χρησιμοποιηθούν για την τοποθέτηση τυφλών πριτσινιών με διαστάσεις στην περιοχή μεγεθών  $\varnothing$  4,0 mm έως  $\varnothing$  6,4 mm. Ανατρέξτε στον πίνακα στη σελίδα 10 για μια λίστα όλων των πριτσινιών που μπορούν να τοποθετηθούν.

Πρέπει πάντα να τηρούνται οι προειδοποιήσεις ασφαλείας στις σελίδες 2 & 4.

**ΝΑ ΜΗ** χρησιμοποιείται υπό υγρές συνθήκες ή με την παρουσία εύφλεκτων υγρών ή αερίων.

### 2.1. ΠΡΟΔΙΑΓΡΑΦΕΣ ΕΡΓΑΛΕΙΩΝ

	XT3		XT4	
<b>Δύναμη έλξης:</b> @ 5,5 bar	17,0 kN	3822 lbf	23,0 kN	5193 lbf
<b>Πίεση παροχής αέρα:</b> Ελάχ. έως Μέγ.	5,0 - 7,0 bar	72,5 - 101,5 lbf/in <sup>2</sup>	5,0 - 7,0 bar	72,5 - 101,5 lbf/in <sup>2</sup>
<b>Πίεση λαδιού:</b> Έλξη στα 5,5 bar	290 bar	4206 lbf/in <sup>2</sup>	395 bar	5729 lbf/in <sup>2</sup>
<b>Διαδρομή:</b> Ελάχιστη διαδρομή εμβόλου	26,0 mm	1,02 in.	18,0 mm	0,91 in.
<b>Βάρος:</b> Περιλαμβ. εξοπλισμού μύτης	2,24 kg	4,94 lb	2,26 kg	4,98 lb
<b>Βάρος:</b> χωρίς εξοπλισμό μύτης	2,00 kg	4,41 lb	2,02 kg	4,41 lb
<b>Όγκος ελεύθ. αέρα:</b> @ 5,5 bar	6,3 λίτρα	384,4 in <sup>3</sup>	6,3 λίτρα	384,4 in <sup>3</sup>
<b>Χρόνος κύκλου λειτουργίας:</b> Περίπου	0,9 δευτερόλεπτο		1,0 δευτερόλεπτο	

<b>Τιμές θορύβου προσδιορισμένες σύμφωνα με το πρότυπο δοκιμών θορύβου ISO 15744 και ISO 3744.</b>		XT3	XT4
A-σταθμισμένη στάθμη ηχητικής ισχύος dB(A), $L_{WA}$	Αβεβαιότητα θορύβου: $k_{WA} = 3,0$ dB(A)	90,3 dB(A)	89,7 dB(A)
A-σταθμισμένη στάθμη ηχητικής πίεσης εκπομπής στον σταθμό εργασίας dB(A), $L_{pA}$	Αβεβαιότητα θορύβου: $k_{pA} = 3,0$ dB(A)	79,3 dB(A)	78,7 dB(A)
C-σταθμισμένη στάθμη ηχητικής πίεσης εκπομπής αιχμής dB(C), $L_{pC}$ , αιχμής	Αβεβαιότητα θορύβου: $k_{pC} = 3,0$ dB(C)	82,7 dB(C)	81,5 dB(A)

<b>Τιμές κραδασμών καθορισμένες σύμφωνα με το πρότυπο δοκιμών κραδασμών ISO 20643 και ISO 5349.</b>	XT3	XT4
Στάθμη εκπομπής κραδασμών, $a_{hd}$ :	1,41 m/s <sup>2</sup>	1,80 m/s <sup>2</sup>
Αβεβαιότητα κραδασμών: k	0,70 m/s <sup>2</sup>	0,90 m/s <sup>2</sup>
Δηλωμένες τιμές εκπομπών κραδασμών σύμφωνα με το EN 12096		



## 2.2 ΠΡΟΔΙΑΓΡΑΦΕΣ ΤΟΠΟΘΕΤΗΣΗΣ

Τύπος πριτσινιών	Διάμετρος πριτσινιών mm [ίντσες]										
	4 [5/32]	4,3	4,8 [3/16]	6	6,4 [1/4]	7	8	9	10	11	12
Ανοικτού άκρου	●*		●**		●						
Κλειστού Άκρου	●*		●**		●						
HR	●*		●		●						
HS					● (3)						
Πολλαπλ. πρόσφυσης (Multi-Grip)	●*		●**		●						
TL	●*		●								
Πριτσίνι T (Emhart)	●*		●		●						
Αυτ. κλεισίματος (Self-Pluggger)	●*		●		●						
Έξτρα πρόσφυσης (UG) (NPR)					⊗ (3)						
CD					● (3)						
Avex®	● (2)		● (2)		● (2)						
Stavex®	● (2)		● (2)		● (1)(3)						
Avinox®/ Avibulb®	● (2)		● (2)	● (2)							
Avinox XT / Avibulb XT					● (1)(3)						
LSR/Bulbex®	● (2)		● (2)								
T-Lok®		● (2)	● (2)								
Avdel® SR	● (2)		● (2)		● (2)						
Hemlok®					● (1)(3)						
Interlock®			⊗ (2)		⊗ (1)(3)						
Maxlok®			● (3)		Ⓞ (3)						
Monobolt®			⊗ (1)(2)		⊗ (1)(3)						
Avtainer®									Ⓞ (1)(3)		
Avseal® (STD)				● (1)(3)		● (1)(3)	● (1)(3)	● (1)(3)	Ⓞ (1)(3)		
Avseal® (χαμηλής πίεσης)							● (1)(3)	● (1)(3)	● (1)(3)	Ⓞ (1)(3)	Ⓞ (1)(3)
Πριτσίνι Q (Q Rivet)	● (2)		● (2)		● (2)						
Πριτσίνι T (T Rivet) (Avdel)			● (1)(2)		● (1)(2)						
Avdelmate®			● (2)		● (2)						
Klamp-Tite® BAPK			⊗ (2)		⊗ (2)						
Klamp-Tite® BAPKTR			⊗ (1)(2)		⊗ (1)(2)						
Avdelok®			● (3)		Ⓞ (3)						

\* Χρησιμοποιείτε σιαγόνες PRG540-46 και συγκρότημα προωθητή σιαγόνων FAN276-064

\*\* Χρησιμοποιείτε σιαγόνες PRG540-46.

● Έχει εφαρμογή και στα δύο εργαλεία, XT3 και XT4

⊗ Έχει εφαρμογή μόνο στο εργαλείο XT3

Ⓞ Έχει εφαρμογή μόνο στο εργαλείο XT4

(1) Απαιτείται ειδικό εξάρτημα μύτης

(2) Διατίθεται εναλλακτικός τύπος εξοπλισμού μύτης

(3) Απαιτείται ειδικός εξοπλισμός μύτης.

Για μια πλήρη λίστα συμβατού εξοπλισμού μύτης για κάθε τύπο πριτσινιών, μαζί με οδηγίες συναρμολόγησης και συντήρησης, ανατρέξτε στο εγχειρίδιο εξοπλισμού μύτης ProSet® 07900-09414

### 2.3 ΠΕΡΙΕΧΟΜΕΝΑ ΣΥΣΚΕΥΑΣΙΑΣ

- 1 ProSet® XT3 ή XT4 - εργαλείο τοποθέτησης τυφλών πριτσινιών.
- 1 σετ τυπικού\* εξοπλισμού μύτης & εξαρτημάτων μύτης για πριτσίνια 4,8 mm [3/16"] και 6,4 mm [1/4"].
- 1 Έντυπο εγχειρίδιο οδηγιών – αντίστοιχο της γεωγραφικής περιοχής.

### 2.4 ΛΙΣΤΑ ΚΥΡΙΩΝ ΜΕΡΩΝ

Ανατρέξτε στην εικόνα 1 και 2, και στον παρακάτω πίνακα.

Στοιχείο	Αριθμός Εξαρτήματος	Περιγραφή	Ποσ.
1	76003-15000*	Τυπικός εξοπλισμός μύτης	1
2	76003-02022	Άγκιστρο ανάρτησης	1
3	76003-05200	Συλλέκτης αξόνων	1
4	07001-00405	Τάπα λαδιού	1
5	07003-00194	Στεγανοποίηση	1
6	76003-02008	Σκανδάλη	1
7	76003-03700	Βαλβίδα ενεργοποίησης/ απενεργοποίησης (On/Off)	1
8	71210-02103	Παξιμάδι ασφάλισης	1

### 2.5 ΤΥΠΙΚΟΣ ΕΞΟΠΛΙΣΜΟΣ ΜΥΤΗΣ

Ανατρέξτε στην εικόνα 2, και στον παρακάτω πίνακα.

Στοιχείο	Αριθμός Εξαρτήματος	Περιγραφή	Ποσ.
1c	PRN614	Εξάρτημα μύτης - 4,8 mm [3/16"] (τοποθετημένο)	1
1d	PRN811	Εξάρτημα μύτης - 6,4 mm [1/4"]	1
1e	76003-15001	Περιβλήμα μύτης	1
1f	07003-00067	Δακτύλιος κυκλικής διατομής	1
1g	DPN276-001	Οδηγός σιαγόνων	1
1h	PRG540-44	Σιαγόνες	1 σετ
1i	DPN276-006	Πρωθητής σιαγόνων	1
1j	DPN900-060	Δακτύλιος κυκλικής διατομής	1
1k	DPN901-019	Ελατήριο προωθητή σιαγόνων	1
1l	76003-15002	Κεφαλή έλξης	1
1m	76003-15004	Ασφάλιση οδηγού σιαγόνων	1
1n	DPN901-020	Ελατήριο	1
1o	76003-15003	Προσαρμογέας κεφαλής έλξης	1
1p	07003-00277	Δακτύλιος κυκλικής διατομής	1

Για πρόσθετο εξοπλισμό μύτης, ανατρέξτε στο Εγχειρίδιο εξοπλισμού μύτης ProSet® 07900-09414 η επισκεφθείτε το [www.stanleyengineeredfastening.com/resource-center/document-library](http://www.stanleyengineeredfastening.com/resource-center/document-library)

Για μια πλήρη λίστα αξεσουάρ του εργαλείου, ανατρέξτε στο Εγχειρίδιο αξεσουάρ ProSet Αρ. 07900-09415.

\* Εξοπλισμός μύτης δεν παρέχεται με το Βασικό Εργαλείο Proset XT3 (76003-01000) και το Βασικό Εργαλείο Proset XT4 (76004-01000).

### 3. ΔΙΑΜΟΡΦΩΣΗ ΤΟΥ ΕΡΓΑΛΕΙΟΥ

**ΣΗΜΑΝΤΙΚΟ - ΔΙΑΒΑΣΤΕ ΠΡΟΣΕΚΤΙΚΑ ΤΙΣ ΠΡΟΕΙΔΟΠΟΙΗΣΕΙΣ ΑΣΦΑΛΕΙΑΣ ΣΤΗ ΣΕΛΙΔΑ 6 & 8 ΠΡΙΝ ΘΕΣΕΤΕ ΤΟ ΕΡΓΑΛΕΙΟ ΣΕ ΥΠΗΡΕΣΙΑ.**

**ΣΗΜΑΝΤΙΚΟ - Η ΠΑΡΟΧΗ ΑΕΡΑ ΠΡΕΠΕΙ ΝΑ ΑΠΕΝΕΡΓΟΠΟΙΕΙΤΑΙ Ή ΝΑ ΑΠΟΣΥΝΔΕΕΤΑΙ ΠΡΙΝ ΤΗΝ ΤΟΠΟΘΕΤΗΣΗ Ή ΤΗΝ ΑΦΑΙΡΕΣΗ ΤΟΥ ΣΥΓΚΡΟΤΗΜΑΤΟΣ ΜΥΤΗΣ.**

#### 3.1 ΕΞΟΠΛΙΣΜΟΣ ΜΥΤΗΣ (Βλ. εικ. 2)

Οι αριθμοί στοιχείων σε έντονη γραφή αναφέρονται στα εξαρτήματα στη σελίδα 1 και 2, και στους πίνακες στη σελίδα 11.

Το πλήρες εργαλείο θα παραδίδεται προ-συναρμολογημένο με τοποθετημένο το εξάρτημα μύτης για πριτσίνια 4,8mm [3/16"].

Ένα πρόσθετο Εξάρτημα Μύτης για πριτσίνια 6,4mm [1/4"] πωλείται ξεχωριστά.

#### Τοποθέτηση του εξαρτήματος μύτης

- Η παροχή αέρα πρέπει να είναι αποσυνδεδεμένη.
- Επιλέξτε το σωστό εξάρτημα μύτης για το πριτσίνι που πρόκειται να εγκαταστήσετε.
- Αφαιρέστε το περίβλημα μύτης (1e), περιλαμβανομένου του εξαρτήματος μύτης (1a, b, c ή d) και του δακτυλίου κυκλικής διατομής (1f)
- Αφαιρέστε το εξάρτημα μύτης (1a, b, c ή d) από το περίβλημα μύτης (1e)
- Επιλέξτε το αντίστοιχου μεγέθους εξάρτημα μύτης και συναρμολογήστε με την αντίθετη σειρά.

#### Αφαίρεση του πλήρους εξοπλισμού μύτης.

- Η παροχή αέρα πρέπει να είναι αποσυνδεδεμένη.
- Αφαιρέστε από το εργαλείο το περίβλημα μύτης (1e), περιλαμβανομένου του εξαρτήματος μύτης (1a,b,c ή d) και του δακτυλίου κυκλικής διατομής (1f).
- Τραβήξτε την ασφάλιση οδηγού σιαγόνων (1m) προς τα πίσω αντίθετα με τη δύναμη του ελατηρίου (1n) και κατόπιν αφαιρέστε τον οδηγό σιαγόνων (1g).
- Αφαιρέστε τις σιαγόνες (1h) από τον οδηγό σιαγόνων (1g).
- Αφαιρέστε τον προωθητή σιαγόνων (1i), το δακτύλιο κυκλικής διατομής (1j) και το ελατήριο προωθητή σιαγόνων (1k), από την κεφαλή έλξης (1l).
- Αφαιρέστε το συγκροτήμα κεφαλής έλξης (1q) από το έμβολο του εργαλείου χρησιμοποιώντας μηχανικά κλειδιά

#### Τοποθέτηση του πλήρους εξοπλισμού μύτης

- Η παροχή αέρα πρέπει να είναι αποσυνδεδεμένη
- Οποιοδήποτε εξάρτημα παρουσιάζει φθορά ή ζημιά πρέπει να αντικατασταθεί.
- Καθαρίστε τις σιαγόνες (1h) και ελέγξτε τις για φθορά.
- Βεβαιωθείτε ότι δεν έχει παραμορφωθεί ο προωθητής σιαγόνων (1i) ή το ελατήριο προωθητή σιαγόνων (k).
- Επικάλυψτε ελαφρά τις σιαγόνες (1h) με γράσο λιθίου με μολυβδαίνιο.
- Ρίξτε τις σιαγόνες (1h) μέσα στον οδηγό σιαγόνων (1g).
- Εισάγετε τον προωθητή σιαγόνων (1i) και το δακτύλιο κυκλικής διατομής (1j) στην κεφαλή έλξης (1l).
- Τραβήξτε πίσω την ασφάλιση οδηγού σιαγόνων (1m) και βιδώστε τον οδηγό σιαγόνων (1g) πλήρως πάνω στην κεφαλή έλξης (1l).
- Ελευθερώστε την ασφάλιση οδηγού σιαγόνων (1m) και κατόπιν ξεβιδώστε εν μέρει τον οδηγό σιαγόνων (1g) έως ότου το δόντι της ασφάλισης οδηγού σιαγόνων (1m) ασφαλίσει με ήχο κλικ στην επόμενη υποδοχή στον οδηγό σιαγόνων (1g).
- Τοποθετήστε το περίβλημα μύτης (1e) πάνω από τον οδηγό σιαγόνων (1g) και σφίξτε το πλήρως πάνω στο εργαλείο.

Τα συγκροτήματα μύτης θα πρέπει να υποβάλλονται σε σέρβις σε εβδομαδιαία διαστήματα. Θα πρέπει να κρατάτε ορισμένο απόθεμα όλων των εσωτερικών εξαρτημάτων του συγκροτήματος μύτης και των άκρων μύτης, επειδή αυτά τα εξαρτήματα θα χρειάζονται τακτική αντικατάσταση.

### 3.2 ΠΑΡΟΧΗ ΑΕΡΑ (Βλ. εικ. 3)

#### Εξαρτήματα

- A. Στρόφιγγα (χρησιμοποιείται κατά τη συντήρηση των μονάδων φίλτρου/ρυθμιστή ή λιπαινόμενες)
  - B. Ρυθμιστής πίεσης και φίλτρο (καθημερινή αποστράγγιση)
  - C. Σημείο αποστράγγισης κύριας παροχής
  - D. Σημείο λήψης από την κύρια παροχή
- Όλα τα εργαλεία λειτουργούν με πεπιεσμένο αέρα σε ελάχιστο επίπεδο πίεσης 5,0 bar.
  - Ρυθμιστές πίεσης και αυτόματα συστήματα λίπανσης με λάδι/φιλτραρίσματος πρέπει να χρησιμοποιούνται στην κύρια παροχή αέρα εντός 3 μέτρων από το εργαλείο (βλ. εικ. 3).
  - Οι εύκαμπτοι σωλήνες παροχής αέρα θα έχουν ελάχιστη ονομαστική ωφέλιμη πίεση λειτουργίας της τάξης του 150% της μέγιστης πίεσης που παράγεται στο σύστημα ή 10 bar, όποιο είναι μεγαλύτερο.
  - Οι εύκαμπτοι σωλήνες αέρα πρέπει να είναι ανθεκτικοί σε λάδι, να είναι ανθεκτικοί στην απόξεση εξωτερικά και να είναι θωρακισμένοι όπου οι συνθήκες λειτουργίας μπορεί να επιφέρουν ζημιές στους εύκαμπτους σωλήνες.
  - Όλοι οι εύκαμπτοι σωλήνες αέρα ΠΡΕΠΕΙ να έχουν ελάχιστη εσωτερική διατομή 6,4 mm.
  - Ελέγξτε για διαρροές αέρα. Αν υπάρχουν ζημιές, οι εύκαμπτοι σωλήνες και οι σύνδεσμοι πρέπει να αντικαθίστανται από νέα αντίστοιχα εξαρτήματα.
  - Αν δεν υπάρχει φίλτρο στο ρυθμιστή πίεσης, εξαερώστε τον αγωγό αέρα για να τον καθαρίσετε από συσσωρευμένες ακαθαρσίες ή νερό, πριν συνδέσετε τον εύκαμπο σωλήνα αέρα στο εργαλείο.

### 3.3 ΑΡΧΗ ΛΕΙΤΟΥΡΓΙΑΣ

**ΠΡΟΣΟΧΗ - Η ΣΩΣΤΗ ΠΙΕΣΗ ΠΑΡΟΧΗΣ ΕΙΝΑΙ ΣΗΜΑΝΤΙΚΗ ΓΙΑ ΤΗ ΣΩΣΤΗ ΛΕΙΤΟΥΡΓΙΑ ΤΟΥ ΕΡΓΑΛΕΙΟΥ ΤΟΠΟΘΕΤΗΣΗΣ. ΜΠΟΡΕΙ ΝΑ ΠΡΟΚΥΨΕΙ ΤΡΑΥΜΑΤΙΣΜΟΣ Ή ΖΗΜΙΑ ΣΤΟΝ ΕΞΟΠΛΙΣΜΟ ΑΝ ΟΙ ΠΙΕΣΕΙΣ ΔΕΝ ΕΙΝΑΙ ΣΩΣΤΕΣ.**

**Η ΠΙΕΣΗ ΠΑΡΟΧΗΣ ΔΕΝ ΠΡΕΠΕΙ ΝΑ ΥΠΕΡΒΕΙ ΤΗΝ ΤΙΜΗ ΠΟΥ ΑΝΑΦΕΡΕΤΑΙ ΣΤΙΣ ΠΡΟΔΙΑΓΡΑΦΕΣ ΤΟΥ ΕΡΓΑΛΕΙΟΥ ΤΟΠΟΘΕΤΗΣΗΣ**

Οι αριθμοί στοιχείων σε έντονη γραφή αναφέρονται στα εξαρτήματα στη σελίδα 1 και 2, και στους πίνακες στη σελίδα 11.

Όταν έχει συνδεθεί στο εργαλείο ο εύκαμπτος σωλήνας πεπιεσμένου αέρα, οι κύκλοι έλξης και επαναφοράς του εργαλείου ελέγχονται με το πάτημα και απελευθέρωση της σκανδάλης **(6)** που βρίσκεται στη λαβή.

- Η παροχή αέρα είναι αποσυνδεδεμένη.
- Συνδέστε τον κατάλληλο εξοπλισμό μύτης όπως περιγράφεται στη σελίδα 10 & 12.
- Συνδέστε τον εύκαμπο σωλήνα πεπιεσμένου αέρα στη βαλβίδα On/Off της παροχής αέρα **(7)**.
- Συνδέστε την παροχή αέρα δικτύου του εύκαμπτου σωλήνα πεπιεσμένου αέρα.
- Ενεργοποιήστε την παροχή αέρα δικτύου προς το εργαλείο κινώντας στην πάνω θέση τη βαλβίδα On/Off της παροχής αέρα **(7)**.
- Τώρα παρέχεται αέρας στο εργαλείο και το σύστημα υποπίεσης είναι σε λειτουργία.
- Τραβήξτε και ελευθερώστε λίγες φορές τη σκανδάλη **(6)** έως την πλήρη διαδρομή του εργαλείου, για να ελέγξετε τη λειτουργία. Παρατηρήστε τη λειτουργία του εργαλείου. Ελέγξτε για διαρροές υγρού και/ή αέρα.

## 4. ΔΙΑΔΙΚΑΣΙΑ ΛΕΙΤΟΥΡΓΙΑΣ

### 4.1 ΛΕΙΤΟΥΡΓΙΑ ΤΟΥ ΕΡΓΑΛΕΙΟΥ (Βλ. εικ. 1, 4, 5, 6)

#### Εγκατάσταση ενός τυφλού πριτσινιού

- Βεβαιωθείτε ότι έχει τοποθετηθεί ο συλλέκτης αξόνων (3).
- Εισάγετε τον άξονα του πριτσινιού στο εξάρτημα μύτης (1a, b, c ή d). Το σύστημα υποπίεσης θα συγκρατήσει το πριτσίνι μέσα στο εξάρτημα μύτης.
- Τοποθετήστε το εργαλείο στην επιθυμητή θέση.
- Ελέγξτε ότι ο εξοπλισμός μύτης είναι σε ορθή γωνία (90°) ως προς το αντικείμενο εργασίας.
- Τραβήξτε και κρατήστε τη σκανδάλη (6) έως ότου το πριτσίνι έχει τοποθετηθεί πλήρως στην εφαρμογή.
- Όταν έχει τοποθετηθεί πλήρως το πριτσίνι, ελευθερώστε τη σκανδάλη (6). Το εργαλείο θα επιστρέψει αυτόματα στην αρχική (βασική) του θέση. Ο άξονας του πριτσινιού πέφτει αυτόματα μέσα στο συλλέκτη αξόνων (3) με τη βοήθεια του συστήματος υποπίεσης.
- Πρέπει να αδειάζετε τον συλλέκτη αξόνων πριν γεμίσει ως τη μέση.

**ΠΡΟΣΟΧΗ – ΜΗΝ ΕΞΑΝΑΓΚΑΣΤΕ ΤΗΝ ΕΙΣΑΓΩΓΗ ΕΝΟΣ ΑΞΟΝΑ ΠΡΙΤΣΙΝΙΟΥ Ή ΚΟΡΜΟΥ ΠΡΙΤΣΙΝΙΟΥ. ΑΥΤΟ ΘΑ ΠΡΟΚΑΛΕΣΕΙ ΖΗΜΙΑ ΣΤΟ ΕΡΓΑΛΕΙΟ ΚΑΙ/Η ΣΤΗΝ ΕΦΑΡΜΟΓΗ.**

### 4.2 ΑΔΕΙΑΣΜΑ ΤΟΥ ΣΥΛΛΕΚΤΗ ΑΞΟΝΩΝ (Βλ. εικ. 1)

#### ΠΡΟΣΟΧΗ - ΜΗ ΧΡΗΣΙΜΟΠΟΙΗΣΤΕ ΤΟ ΕΡΓΑΛΕΙΟ ΟΤΑΝ ΕΧΕΙ ΑΦΑΙΡΕΘΕΙ Ο ΣΥΛΛΕΚΤΗΣ ΑΞΟΝΩΝ

- Στο εργαλείο έχει τοποθετηθεί συλλέκτης αξόνων (3) που διαθέτει σύστημα ταχείας σύνδεσης/ απώσυνδεσης.
- Με μια περιστροφή 60° αφαιρείται ή επανατοποθετείται ο συλλέκτης αξόνων.
- Η αφαίρεση του συλλέκτη αξόνων (3) από το εργαλείο, απενεργοποιεί αυτόματα το σύστημα υποπίεσης για συγκράτηση των πριτσινιών καθώς και το σύστημα εξαγωγής των αξόνων.
- Η επανατοποθέτηση του συλλέκτη αξόνων ενεργοποιεί το σύστημα υποπίεσης.

## 5. ΣΕΡΒΙΣ ΤΟΥ ΕΡΓΑΛΕΙΟΥ

### 5.1 ΣΥΧΝΟΤΗΤΑ ΣΥΝΤΗΡΗΣΗΣ

Θα πρέπει να διενεργείται τακτικό σέρβις από εκπαιδευμένο προσωπικό, ενώ μια διεξοδική επιθεώρηση πρέπει να διεξάγεται κάθε χρόνο ή κάθε 500.000 κύκλους, όποιο προκύψει πρώτο.



ΑΠΟΣΥΝΔΕΣΤΕ ΤΗΝ ΠΑΡΟΧΗ ΑΕΡΑ



**ΠΡΟΣΟΧΗ** - Ποτέ μη χρησιμοποιείτε διαλύτες ή άλλα ισχυρά χημικά για τον καθαρισμό των μη μεταλλικών τμημάτων του εργαλείου.

Αυτά τα χημικά μπορεί να αποδυναμώσουν τα υλικά που χρησιμοποιούνται σ' αυτά τα εξαρτήματα.

### 5.2 ΕΞΟΠΛΙΣΜΟΣ ΜΥΤΗΣ

Τα συγκροτήματα μύτης θα πρέπει να υποβάλλονται σε σέρβις σε εβδομαδιαία διαστήματα ή κάθε 5.000 κύκλους. Πρέπει να κρατάτε ορισμένο απόθεμα όλων των εσωτερικών εξαρτημάτων του συγκροτήματος μύτης και των εξαρτημάτων μύτης, επειδή αυτά τα εξαρτήματα χρειάζονται τακτική αντικατάσταση.

- Αποσυνδέστε την παροχή αέρα
- Αφαιρέστε το πλήρες συγκρότημα μύτης χρησιμοποιώντας τη διαδικασία που περιγράφεται στο τμήμα 3.1.
- Επιθεωρήστε όλα τα εξαρτήματα. Οποιαδήποτε εξαρτήματα παρουσιάζουν φθορά ή ζημιά πρέπει να αντικαθίστανται με καινούργια.
- Ελέγξτε ιδιαίτερα τη φθορά στις σιαγόνες **(1h)**.
- Καθαρίστε όλα τα εξαρτήματα και εφαρμόστε γράσο λιθίου με μολυβδαίνιο (07992-00020) στις σιαγόνες **(1h)** και στην κωνική οπή του οδηγού σιαγόνων **(1g)**.
- Συναρμολογήστε σύμφωνα με τις οδηγίες τοποθέτησης στο τμήμα 3.1.

### 5.3 ΚΑΘΗΜΕΡΙΝΟ ΣΕΡΒΙΣ

- Πριν τη χρήση, ελέγξτε το εργαλείο, τον εύκαμπο σωλήνα και τους συνδέσμους για διαρροές αέρα και διαρροές λαδιού. Αν εντοπίσετε ζημιά, αποσύρετε το εργαλείο από την υπηρεσία και αντικαταστήστε τα επηρεαζόμενα εξαρτήματα με νέα.
- Αν δεν υπάρχει φίλτρο στο ρυθμιστή πίεσης, εξαερώστε τον αγωγό αέρα για να τον καθαρίσετε από συσσωρευμένες ακαθαρσίες ή νερό πριν συνδέσετε τον εύκαμπο σωλήνα αέρα στο εργαλείο. Αν υπάρχει φίλτρο, αποστραγγίστε το.
- Ελέγξτε ότι ο εξοπλισμός μύτης **(1)** είναι σωστός για το πριτσίνι που πρόκειται να τοποθετηθεί και ότι αυτός έχει τοποθετηθεί σωστά.
- Ελέγξτε ότι η διαδρομή του εργαλείου πληροί την ελάχιστη προδιαγραφή (βλ. 2.1).
- Ο συλλέκτης αξόνων **(3)** πρέπει να είναι τοποθετημένος στο εργαλείο.
- Ελέγξτε ότι ο θάλαμος αέρα είναι πλήρως συσφιγμένος πάνω στον κορμό του εργαλείου.

### 5.4 ΕΒΔΟΜΑΔΙΑΙΟ ΣΕΡΒΙΣ

- Ελέγξτε το εργαλείο, τον εύκαμπο σωλήνα και τους συνδέσμους για διαρροές αέρα και διαρροές λαδιού. Αν εντοπίσετε ζημιά, αποσύρετε το εργαλείο από την υπηρεσία και αντικαταστήστε τα επηρεαζόμενα εξαρτήματα με νέα.

Για πλήρεις οδηγίες σέρβις, αντιμετώπισης προβλημάτων και συντήρησης, ανατρέξτε στο Εγχειρίδιο σέρβις Αρ. 07900-09410 για το ΧΤ3 και 07900-09411 για το ΧΤ4.

Για Δεδομένα ασφαλείας σχετικά με το γράσο και το λάδι που χρησιμοποιείται σε αυτό το εργαλείο, ανατρέξτε στο Εγχειρίδιο σέρβις Αρ. 07900-09410 για το ΧΤ3 και 07900-09411 για το ΧΤ4.

### 5.5 ΠΡΟΣΤΑΣΙΑ ΤΟΥ ΠΕΡΙΒΑΛΛΟΝΤΟΣ

Διασφαλίστε συμμόρφωση με τους εφαρμοσίμους κανονισμούς τελικής διάθεσης αποβλήτων. Απορρίψτε όλα τα απόβλητα προϊόντα σε εγκεκριμένη εγκατάσταση ή θέση απόρριψης αποβλήτων ώστε να μην εκτίθενται το προσωπικό και το περιβάλλον σε κινδύνους.

## 6. ΔΗΛΩΣΗ ΣΥΜΜΟΡΦΩΣΗΣ ΕΚ

Εμείς, η **Stanley Engineered Fastening, Stanley House, Works Road, Letchworth Garden City, Hertfordshire, SG6 1JY ΗΝΩΜΕΝΟ ΒΑΣΙΛΕΙΟ**, δηλώνουμε με αποκλειστική μας ευθύνη ότι το προϊόν:

**Περιγραφή:**

**ProSet® XT3 και ProSet® XT4 - Υδροπνευματικά εργαλεία τοποθέτησης τυφλών πριτσινιών**

**Μοντέλο:**

**POP-Avdel® / 76003 και POP-Avdel® / 76004**

το οποίο αφορά η παρούσα δήλωση βρίσκεται σε συμμόρφωση με τα ακόλουθα εναρμονισμένα πρότυπα:

ISO 12100:2010	EN ISO 3744:2010
EN ISO 11202:2010	EN ISO 11148-1:2011
EN ISO 4413:2010	BS EN 28662-1:1993
EN ISO 4414:2010	EN ISO 20643:2008+A1:2012
EN ISO 28927-5:2009+A1:2015	ES100118-αναθ. 17:2017

Ο τεχνικός φάκελος συντάχθηκε σύμφωνα με το Παράρτημα 1, παράγραφος 1.7.4.1, σύμφωνα με την ακόλουθη Οδηγία:

### **2006/42/ΕΚ Οδηγία περί μηχανημάτων**

(Διάταγμα Ην. Βασιλείου 2008 Αρ. 1597 - Κανονισμοί (ασφαλείας) περί προμήθειας μηχανημάτων).

Ο κάτωθι υπογεγραμμένος δηλώνει τα παρόντα εξ ονόματος της STANLEY Engineered Fastening.



**A. K. Seewraj**

**Τεχνικός Διευθυντής, Ην. Βασιλείου**

Avdel UK Limited, Stanley House, Works Road, Letchworth Garden City, Hertfordshire, SG6 1JY ΗΝΩΜΕΝΟ ΒΑΣΙΛΕΙΟ

**Τόπος έκδοσης:**

**Letchworth Garden City, Ην. Βασίλειο**

**Ημερομηνία έκδοσης:**

**01-13-2017**

Ο κάτωθι υπογεγραμμένος είναι υπεύθυνος για την κατάρτιση του τεχνικού φακέλου για προϊόντα πωλούμενα στην Ευρωπαϊκή Ένωση και δηλώνει τα παρόντα εκ μέρους της Stanley Engineered Fastening.

**Matthias Appel**

**Αρχηγός Ομάδας Τεχνικής Τεκμηρίωσης**

Stanley Engineered Fastening, Tucker GmbH, Max-Eyth-Str.1, 35394 Gießen, Γερμανία



Ο παρών μηχανολογικός εξοπλισμός  
βρίσκεται σε συμμόρφωση με την  
Οδηγία περί μηχανημάτων 2006/42/ΕΚ

## 7. ΔΗΛΩΣΗ ΣΥΜΜΟΡΦΩΣΗΣ ΗΝ. ΒΑΣΙΛΕΙΟΥ

Εμείς, η **Stanley Engineered Fastening, Stanley House, Works Road, Letchworth Garden City, Hertfordshire, SG6 1JY** ΗΝΩΜΕΝΟ ΒΑΣΙΛΕΙΟ, δηλώνουμε με αποκλειστική μας ευθύνη ότι το προϊόν:

**Περιγραφή:** ProSet® XT3 και ProSet® XT4 - Υδροπνευματικά εργαλεία τοποθέτησης τυφλών πριτσινιών

**Μοντέλο:** POP-Avdel® / 76003 και POP-Avdel® / 76004

το οποίο αφορά η παρούσα δήλωση βρίσκεται σε συμμόρφωση με τα ακόλουθα καθορισμένα πρότυπα:

ISO 12100:2010	EN ISO 3744:2010
EN ISO 11202:2010	EN ISO 11148-1:2011
EN ISO 4413:2010	BS EN 28662-1:1993
EN ISO 4414:2010	EN ISO 20643:2008+A1:2012
EN ISO 28927-5:2009+A1:2015	ES100118-αναθ. 17:2017

Η τεχνική τεκμηρίωση συντάσσεται σύμφωνα με τους Κανονισμούς (ασφαλείας) προμήθειας μηχανημάτων 2008, Διάταγμα Ην. Βασιλείου 2008/1597 (όπως τροποποιήθηκε).

Ο κάτωθι υπογεγραμμένος δηλώνει τα παρόντα εξ ονόματος της STANLEY Engineered Fastening.



**A. K. Seewraj**

**Τεχνικός Διευθυντής, Ην. Βασιλείου**

Avdel UK Limited, Stanley House, Works Road, Letchworth Garden City, Hertfordshire,  
SG6 1JY ΗΝΩΜΕΝΟ ΒΑΣΙΛΕΙΟ

**Τόπος έκδοσης:** Letchworth Garden City, Ην. Βασίλειο

**Ημερομηνία έκδοσης:** 01-13-2017



Αυτό το μηχάνημα συμμορφώνεται με  
τους Κανονισμούς (ασφαλείας) περί προμήθειας  
μηχανημάτων 2008,  
Διάταγμα Ην. Βασιλείου 2008/1597  
(όπως τροποποιήθηκε)



## 8. ΠΡΟΣΤΑΤΕΨΤΕ ΤΗΝ ΕΠΕΝΔΥΣΗ ΣΑΣ!

### 8.1 ΕΓΓΥΗΣΗ ΕΡΓΑΛΕΙΟΥ ΤΟΠΟΘΕΤΗΣΗΣ ΤΥΦΛΩΝ ΠΡΙΤΣΙΝΙΩΝ POP® AVDEL®

Η STANLEY Engineered Fastening εγγυάται ότι όλα τα εργαλεία ισχύος έχουν κατασκευαστεί με μεγάλη προσοχή και ότι θα είναι απαλλαγμένα από ελάττωμα σε υλικό και εργασία υπό κανονική χρήση και σέρβις, για περίοδο ενός (1) έτους.

Η εγγύηση αυτή έχει εφαρμογή για τον πρώτο αγοραστή του εργαλείου για αρχική χρήση.

#### **Εξαιρέσεις:**

##### **Κανονική φθορά.**

Περιοδική συντήρηση, επισκευές και ανταλλακτικά λόγω κανονικής φθοράς εξαιρούνται από την κάλυψη.

##### **Κακομεταχείριση & κακή χρήση.**

Εξαιρούνται από την κάλυψη βλάβες ή ζημιές από ακατάλληλη λειτουργία, αποθήκευση, κακή χρήση ή κακομεταχείριση, ατύχημα ή αμέλεια, όπως φυσική ζημιά.

##### **Μη εξουσιοδοτημένο σέρβις ή τροποποίηση.**

Εξαιρούνται από την κάλυψη βλάβες ή ζημιές που προκύπτουν από σέρβις, δοκιμή, ρύθμιση, εγκατάσταση, συντήρηση, μετατροπή ή τροποποίηση με οποιονδήποτε τρόπο από οποιονδήποτε άλλον πλην της STANLEY Engineered Fastening, ή τα εξουσιοδοτημένα κέντρα σέρβις της.

Με το παρόν αποκλείονται όλες οι άλλες εγγυήσεις, ρητές ή σιωπηρές, περιλαμβανομένων οποιονδήποτε εγγυήσεων εμπορευσιμότητας ή καταλληλότητας για συγκεκριμένη χρήση.

Σε περίπτωση που το προϊόν δεν ανταποκριθεί στην περίοδο εγγύησης, επιστρέψτε άμεσα το εργαλείο στο εξουσιοδοτημένο από το εργοστάσιό μας σημείο σέρβις που βρίσκεται πιο κοντά σας. Για μια λίστα εξουσιοδοτημένων κέντρων σέρβις POP® Avdel® σε ΗΠΑ ή Καναδά, επικοινωνήστε μαζί μας στον αριθμό μας δωρεάν κλήσης (877)364 2781.

Εκτός ΗΠΑ και Καναδά, επισκεφθείτε την ιστοσελίδα μας [www.StanleyEngineeredFastening.com](http://www.StanleyEngineeredFastening.com) για να βρείτε την πλησιέστερή σας θέση STANLEY Engineered Fastening.

Τότε η STANLEY Engineered Fastening θα αντικαταστήσει, χωρίς δική σας χρέωση, οποιοδήποτε εξάρτημα ή εξαρτήματα βρούμε ότι έχουν υποστεί βλάβη λόγω ελαττωματικού υλικού ή εργασίας, και θα επιστρέψουμε το υλικό με προπληρωμένη αποστολή. Αυτό αποτελεί τη μοναδική μας υποχρέωση βάσει της παρούσας εγγύησης. Σε καμία περίπτωση δεν θα φέρει η STANLEY Engineered Fastening την ευθύνη για οποιεσδήποτε παρεπόμενες ή ειδικές ζημιές προερχόμενες από την αγορά ή τη χρήση του παρόντος εργαλείου.

### 8.2 ΚΑΤΑΧΩΡΙΣΤΕ ONLINE ΤΟ ΕΡΓΑΛΕΙΟ ΣΑΣ ΤΟΠΟΘΕΤΗΣΗΣ ΤΥΦΛΩΝ ΠΡΙΤΣΙΝΙΩΝ.

Για να καταχωρίσετε την εγγύησή σας online, επισκεφθείτε μας στη διεύθυνση <http://www.stanleyengineeredfastening.com/popavdel-powertools/warranty-card>.

Ευχαριστούμε που επιλέξατε ένα εργαλείο μάρκας STANLEY Engineered Fastening's POP® Avdel®.

©2017 Stanley Black & Decker inc.

Kõik õigused kaitstud.

Esitatud teavet ei tohi ühelgi viisil ja ühelgi teel (elektrooniliselt ega mehaaniliselt) reprodutseerida ja/või avalikustada STANLEY Engineered Fasteningi eelneva sõnaselge ja kirjaliku loata. Esitatud teave põhineb toote turuleviimise ajal teadaolevatel andmetel. STANLEY Engineered Fasteningi eesmärk on oma tooteid järjepidevalt edasi arendada ja seetõttu võivad tooted muutuda. Esitatud teave kehtib STANLEY Engineered Fasteningi tarnitud toote kohta. Seetõttu ei saa STANLEY Engineered Fasteningi pidada vastutavaks ühegi toote originaalspetsifikatsioonidest kõrvalekaldumisega kaasneva kahju eest.

Saadaolev teave on koostatud ülima põhjalikkusega. Ent STANLEY Engineered Fastening ei võta sellegipoolest vastutust ühegi vea eest, mis puudutab teavet, ega sellest tulenevate tagajärgede eest. STANLEY Engineered Fastening ei vastuta kahjude eest, mis tulenevad kolmandate osapoolte tegevusest. Vastavalt kaubamärgiseadusele ei ole STANLEY Engineered Fasteningi kasutatud töönimed, kaubanimes, registreeritud kaubamärgid jms tasuta kasutamiseks.

## SISUKORD

<b>1.</b>	<b>OHUTUSALASED DEFINITSIOONID .....</b>	<b>2</b>
1.1	ÜLDISED OHUTUSEESKIRJAD .....	2
1.2	ÕHKUPAIKUMISE OHT.....	2
1.3	SEADME KASUTAMISEGA SEOTUD OHUD .....	3
1.4	KORDUVATE LIIGUTUSTEGA SEOTUD OHUD .....	3
1.5	LISAVARUSTUSEGA SEOTUD OHUD.....	3
1.6	TÖÖKOHAGA SEOTUD OHUD .....	4
1.7	MÜRAGA SEOTUD OHUD.....	4
1.8	VIBRATSIOONIGA SEOTUD OHUD.....	4
1.9	TÄIENDAVID OHUTUSNÕUDEDE PNEUMAATILISTE ELEKTRITÖÖRIISTADE KASUTAMISEL .....	4
<b>2.</b>	<b>TEHNILISED ANDMED .....</b>	<b>5</b>
2.1.	TÖÖRIISTA SPETSIFIKATSIOONID .....	5
2.2	PAIGALDUSE SPETSIFIKATSIOONID.....	6
2.3	PAKENDI SISU .....	7
2.4	PÕHIKOMPONENTIDE NIMEKIRI .....	7
2.5	STANDARDNE NINAVARUSTUS .....	7
<b>3.</b>	<b>TÖÖRIISTA ETTEVALMISTAMINE .....</b>	<b>8</b>
3.1	NINAVARUSTUS (vt joonis 2).....	8
3.2	ÕHUTOIDE (vt joonis 3).....	8
3.3	TÖÖPÕHIMÖTE.....	9
<b>4.</b>	<b>KASUTAMINE .....</b>	<b>10</b>
4.1	TÖÖRIISTA KASUTAMINE (vt joonised 1, 4, 5 ja 6) .....	10
4.2	SÜDAMIKE KOLLEKTORI TÜHJENDAMINE (vt joonis 1) .....	10
<b>5.</b>	<b>TÖÖRIISTA HOOLDUS.....</b>	<b>11</b>
5.1	HOOLDUSTÖÖDE SAGEDUS .....	11
5.2	NINAVARUSTUS .....	11
5.3	IGAPÄEVANE HOOLDUS .....	11
5.4	IGANÄDALANE HOOLDUS.....	11
5.5	KESKKONNAKAITSE.....	11
<b>6.</b>	<b>EÜ VASTAVUSDEKLARATSIOON .....</b>	<b>12</b>
<b>7.</b>	<b>ÜHENDKUNINGRIIGI VASTAVUSDEKLARATSIOON .....</b>	<b>13</b>
<b>8.</b>	<b>KAITSKE OMA INVESTEERINGUT!.....</b>	<b>14</b>
8.1	POP AVDEL <sup>®</sup> -I NEEDIPÜSTOLI GARANTII .....	14
8.2	REGISTREERIGE OMA NEEDIPÜSTOL INTERNETIS.....	14



Kõik, kes tööriista paigaldavad või kasutavad, peavad selle kasutusjuhendi läbi lugema, pöörates erilist tähelepanu järgmistele ohutuseeskirjadele.



Tööriista kasutamise ajal tuleb alati kandke löögikindlat silmade kaitset. Igal kasutuskorral tuleb hinnata vajalikku kaitse taset.



Kasutage kuulmiskaitsevahendeid, järgides tööandja juhiseid ning töötervishoiu ja tööohutuse nõudeid.



Seadme kasutamisega kaasneb käte vigastamise oht, näiteks muljumine, löögid ning löike-, hõõrde- ja põletusvigastused. Käte kaitsmiseks kandke sobivaid kindaid.

## 1. OHUTUSALASED DEFINITSIOONID

Allpool toodud määratlused kirjeldavad iga märksõna olulisuse astet. Palun lugege juhendit ja pöörake tähelepanu nendele sümbolitele.



**OHT!** Tähistab tõenäolist ohuolukorda, mis juhul, kui seda ei väldita, lõpeb surma või raske kehavigastusega.



**HOIATUS!** Tähistab võimalikku ohtlikku olukorda, mille eiramine võib lõppeda surma või raskete kehavigastustega.



**ETTEVAATUST!** Tähistab võimalikku ohuolukorda, mis juhul, kui seda ei väldita, võib lõppeda kerge või keskmise raskusastmega kehavigastusega.

**ETTEVAATUST!** Kui kasutatakse ohutusele viitava hoiatussümboliga, viitab see potentsiaalselt ohtlikule olukorrale, mis juhul, kui seda ei väldita, võib lõppeda varalise kahjuga.

**Selle toote väärkasutamine või vale hooldus võib põhjustada raskeid vigastusi ja varalist kahju.**

**Enne seadme kasutamist lugege kõik hoiatused ja kasutusjuhised läbi ning tehke need endale selgeks.**

**Vigastusohu vähendamiseks tuleb elektritööriistade kasutamisel alati järgida põhilisi ettevaatusabinõusid.**

### HOIDKE KÕIK HOIATUSED JA JUHISED TULEVIKU TARVIS ALLES

#### 1.1 ÜLDISED OHUTUSESKIRJAD

- Ohtlike olukordade vältimiseks lugege enne seadme paigaldamist, kasutamist, parandamist, hooldamist, tarvikute vahetamist või seadme läheduses töötamist ohutusjuhised läbi ja tehke nende sisu endale selgeks. Kui seda nõuet eiratakse, võivad tagajärjeks olla rasked kehavigastused.
- Seadet tohivad paigaldada, reguleerida ja kasutada ainult kvalifitseeritud ja koolitatud isikud.
- ÄRGE kasutage seadet muuks kui ettenähtud otstarbeks (milleks on STANLEY Engineered Fasteningi neetide paigaldamine).
- Kasutage ainult tootja soovitatud osi, kinnitusvahendeid ja tarvikuid.
- ÄRGE muutke seadme ehitust. Muudatused võivad vähendada ohutusmeetmete tõhusust ja suurendada kasutajaga seotud riske. Seadme ehituse muutmine tühistab kõik kehtivad garantiid ja igasuguste seadme juures tehtud muudatuste eest vastutab täies ulatuses klient.
- Ärge visake ohutusjuhiseid ära; andke need seadme kasutajale.
- ÄRGE kasutage seadet, kui see on kahjustatud.
- Enne kasutamist kontrollige, et liikuvad osad asetseksid kohakuti, et kõik osad oleksid terved ja et puuduksid muud tingimused, mis võivad mõjutada tööriista tööd. Kui tööriist on kahjustada saanud, laske seda enne kasutamist remontida. Enne kasutamist eemaldage kõik reguleerimis- ja mutrivõtmed.
- Kontrollige korrapäraselt, et seadmel oleks selgelt nähtavad standardile ISO 11148 vastavad andmed ja märgistus. Vajaduse korral peab tööandja/kasutaja tellima seadme tootjalt asendussildid.
- Tööriista tuleb alati hoida ohutus töökorras ning pädevad spetsialistid peavad selle töökorra ja kahjustuste puudumist regulaarselt kontrollima. Tööriista tohivad lahti võtta ainult vastava väljaõppega spetsialistid. Ärge võtke seda tööriista lahti, kui te ei ole eelnevalt tutvunud hooldusjuhistega.

#### 1.2 ÕHKUPAIKUMISE OHT

- Enne igasuguseid hooldustöid ja ninavarustuse või tarvikute reguleerimist, paigaldamist või eemaldamist tuleb seadme õhuvarustus katkestada.

- Arvestage, et töödeldava detaili, tarvikute või seadme enda purunemisel võivad tükid suure kiirusega õhku paiskuda.
- Seadme kasutamise ajal tuleb alati kanda löögikindlat silmade kaitset. Igal kasutuskorral tuleb hinnata vajalikku kaitse taset.
- Ühtlasi tuleb hinnata ka teistega seotud riske.
- Veenduge, et töödeldav detail oleks korralikult kinnitatud.
- Kontrollige, kas kinnitusdetaili ja/või südamikü väljumise eest kaitsmise vahendid on paigas ja töötavad.
- ÄRGE kasutage tööriista, kui südamike kollektorit pole paigaldatud.
- Hoiatage, et südamikud võivad seadme esiosast jõuliselt välja paiskuda.
- ÄRGE käivitage seadet, mis on inimes(t)e poole suunatud.

### **1.3 SEADME KASUTAMISEGA SEOTUD OHUD**

- Seadme kasutamisega kaasneb käte vigastamise oht, näiteks muljumine, löögid ning löike-, hõõrde- ja põletusvigastused. Käte kaitsmiseks kandke sobivaid kindaid.
- Seadme kasutajatel ja hooldustehnikutel peab olema seadme käsitsemiseks vajalik keheline võimekus, arvestades selle mõõtmeid, kaalu ja võimsust.
- Hoidke seadet õigesti käes; olge valmis kasutama jõudu seadme tavaliste või ootamatute liikumiste vastu ning hoidke mõlemad käed kasutusvalmis.
- Hoolditsege, et tööriista käepide oleks kuiv, puhas ning vaba õlist ja määrest.
- Hoidke keha hästi tasakaalus ning seiske seadmega töötamisel kindlal pinnal.
- Hüdraulikavarustuse katkemise korral vabastage käivitus- ja seiskamiseseade.
- Kasutage ainult tootja soovitatud määreid.
- Vältige kokkupuudet hüdrovedelikega. Kokkupuute korral tuleb kokkupuutunud kohta hoolega pesta, et vähendada võimalikke lööbeid.
- Kõigi hüdroölide ja määrete ohutuskaarte võite küsida seadme tarnijalt.
- Vältige ebasobivaid asendeid, kuna need ei võimalda seadme tavapärasele või ootamatule liikumisele piisavalt tugevat vastupanu osutada.
- Kui seade on kinnitatud vedrustuse külge, veenduge, et see oleks korralikult fikseeritud.
- Kui otsik pole paigaldatud, hoiduge muljumise ja pitsumise ohust.
- ÄRGE kasutage tööriista, kui nina kest on eemaldatud.
- Enne jätkamist peavad tööriista kasutaja käed olema täiesti vabad.
- Tööriista ühest kohast teise kandes hoidke käsi päästikust eemal, et vältida tahtmatut käivitamist.
- ÄRGE pillake seadet maha ja vältige selle väärkasutamist, näiteks haamrina.
- Kasutatud südamike puhul tuleb hoolditseda selle eest, et need ei põhjustaks ohte.
- Südamike kollektorit tuleb tühjendada, kui see on pooleldi täis.

### **1.4 KORDUVATE LIIGUTUSTEGA SEOTUD OHUD**

- Seadme kasutaja võib seadme kasutamisel tunda ebamugavust kätes, käsivartes, õlgades, kaelas või muudes kehaosades.
- Seadme kasutamise ajal tuleb võtta mugav kehahoiak, seista kindlal pinnal ning vältida tavatuid ja tasakaalu ohustavaid asendeid. Pikemat aega töötades peaks seadme kasutaja muutma aeg-ajalt kehahoiakut; see aitab vältida ebamugavust ja väsimust.
- Kui seadme kasutaja kogeb selliseid sümptomeid nagu püsiv või korduv ebamugavustunne, valu, tuikamine, valulikkus, kipitus, tuimus, põletustunne või jäikus, ei tohiks neid hoiatavaid märke tähelepanuta jätta. Kasutaja peab neist teada andma tööandjale ning konsulteerima kvalifitseeritud tervishoiutöötajaga.

### **1.5 LISAVARUSTUSEGA SEOTUD OHUD**

- Enne otsiku või lisatarviku paigaldamist või eemaldamist ühendage tööriist õhuvarustusest lahti.
- Kasutage ainult seadme tootja soovitatud suuruses ja tüüpi tarvikuid ning kulumaterjale; ärge kasutage muud tüüpi või suurusega tarvikuid ja kulumaterjale.

### 1.6 TÖÖKOHAGA SEOTUD OHUD

- Töökohal saadakse viga peamiselt libastumise, komistamise ja kukkumise tagajärjel. Arvestage seadme kasutamise tuleneva pindade libedusega ning õhu- või hüdrovoolikuga seotud komistamisohuga.
- Võõras kohas tegutsesge ettevaatlikult. Seal võivad olla varjatud ohud, näiteks elektri kaablid või muud trassid.
- Seade ei ole mõeldud kasutamiseks potentsiaalselt plahvatusohtlikus keskkonnas ning sellel ei ole kaitseisolatsiooni kasutaja kaitsmiseks elektrivoolu eest.
- Veenduge, et puuduvad elektri kaablid, gaasitorud jms, mis võivad seadme kasutamisel kahjustada saada ja põhjustada ohte.
- Riietuge sobivalt. Ärge kandke lehvivaid rõivaid ega ehteid. Hoidke juuksed, riided ja kindad liikuvatest osadest eemal. Lehvivad riided, ehted ja pikad juuksed võivad jääda liikuvate osade vahele.
- Kasutatud südameki puhul tuleb hoolitseda selle eest, et need ei põhjustaks ohte.

### 1.7 MÜRAGA SEOTUD OHUD

- Kõrge müratase võib põhjustada püsivat kuulmislangust ja kuulmispuuet ning muid vaevusi, näiteks tinnitust (tirin, kumin, vilin või kohisemine kõrvades). Seetõttu peab selliste ohtudega kindlasti arvestama ning vajaduse korral tuleb kasutada sobivaid meetmeid.
- Sellisteks ohte vähendavateks meetmeteks võivad olla ka tegevused, nagu näiteks materjalide heliisoleerimine nende tirisemise vähendamiseks.
- Kasutage kuulmiskaitsevahendeid, järgides tööandja juhiseid ning töötervishoiu ja tööohutuse nõudeid.
- Kasutage ja hooldage seadet vastavalt kasutusjuhendile, et vältida mürataseme asjatut tõusu.
- Veenduge, et tööriista kasutamisel oleks südameki kollektoris olev summuti paigas ja töökorras.

### 1.8 VIBRATSIOONIGA SEOTUD OHUD

- Vibratsioon võib kahjustada käte ja käsivarte närve ning verevarustust.
- Külma keskkonnas oludes töötades kandke sooja riietust ning hoidke oma käsi soojas ja kuivas.
- Sõrmede või käte tuimuse, surina, valu või kahvatuks muutumise korral lõpetage seadme kasutamine, teavitage oma tööandjat ning pöörduge arsti poole.
- Kui vähegi võimalik, laske seadme raskusel toetuda pukile, pingutile või tasakaalustajale, sest siis saab seadet lõdvemalt käes hoida.

### 1.9 TÄIENDAVALD OHUTUSNÕUDED PNEUMAATILISTE ELEKTRITÖÖRIISTADE KASUTAMISEL

- Toiteõhk ei tohi ületada 7 bar (100 PSI).
- Rõhu all olev õhk võib põhjustada raskeid vigastusi.
- Ärge kunagi jätke töötavat tööriista järelevalveta. Ühendage õhuvoolik lahti, kui seadet ei kasutata, enne tarvikute vahetamist või parandustööd.
- ÄRGE suunake südameki kollektori esiküljele õhu väljalaskeavasid enda ega teiste inimeste poole. Ärge kunagi suunake õhku enda ega kellelegi teise poole.
- Laperdav voolik võib põhjustada raskeid vigastusi. Enne seadme kasutamist veenduge alati, et voolikud ja liitmikud ei oleks kahjustatud ega nõrgalt ühendatud.
- Enne kasutamist kontrollige õhuühendusi kahjustuste suhtes; kõik ühendused peavad olema kinni. Ärge pillake voolikute peale raskeid esemeid. Tugev löök võib põhjustada sisemisi kahjustusi, mille tagajärjel võivad voolikud enneaegselt puruneda.
- Külma õhku tuleb suunata kätest eemale.
- Universaalsete pöörliitmike (nukkliitmike) kasutamisel peab paigaldama lukustustihvtid ja viskumiskaitsetrossid ohutuse tagamiseks tööriista ning vooliku või voolikute ühenduse katkemisel.
- ÄRGE tõstke needipüstolit voolikust hoides. Kasutage alati tõmbemutrit tangide käepidet.
- Õhuavasid ei tohi blokeerida ega katta.
- Vältige mustuse või võõrkehade/-ainete sattumist tööriista hüdroüsteemi, kuna selle tagajärjel võib tööriist rikki minna.

**Kuna STANLEY Engineered Fasteningi poliitika näeb ette toodete pidevat edasiarendamist ja täiustamist, jätame endale õiguse iga toote tehnilisi andmeid etteteatamata muuta.**

## 2. TEHNILISED ANDMED

ProSet® XT3 ja XT4 on hüdropneumaatilised tööriistad, mis on mõeldud Stanley Engineered Fasteningi neetide kinnitamiseks suurel kiirusel. Tööriistadel on vaakumsüsteem neetide kinnihoidmiseks ja kasutatud südameke mugavaks kogumiseks, olenemata tööriista asendist.

ProSet® XT3 ja XT4 saab koos sobiva ninavarustusega kasutada Ø4,0 mm kuni Ø6,4 mm neetide paigaldamiseks. Kõigi paigaldatavate neetide nimekirja leiata tabelist leheküljel 10.

Lk 2 ja 4 olevaid hoiatusi tuleb alati järgida.

**ÄRGE** kasutage seadet niiskes keskkonnas ega tuleohtlike vedelike või gaaside läheduses.

### 2.1. TÖÖRIISTA SPETSIFIKATSIOONID

	XT3		XT4	
<b>Tõmbejõud:</b> @ 5,5 bar	17,0 kN	3822 lbf	23,0 kN	5193 lbf
<b>Õhutoite rõhk:</b> min kuni max	5,0–7,0 bar	72,5–101,5 lbf/in <sup>2</sup>	5,0–7,0 bar	72,5–101,5 lbf/in <sup>2</sup>
<b>Õlirõhk:</b> tõmme @ 5,5 bar	290 bar	4206 lbf/in <sup>2</sup>	395 bar	5729 lbf/in <sup>2</sup>
<b>Käik:</b> minimaalne kolvikäik	26,0 mm	1,02 tolli	18,0 mm	0,91 tolli
<b>Kaal:</b> koos ninavarustusega	2,24 kg	4,94 lb	2,26 kg	4,98 lb
<b>Kaal:</b> ilma ninavarustuseta	2,00 kg	4,41 lb	2,02 kg	4,41 lb
<b>Vaba õhu maht:</b> @ 5,5 bar	6,3 l	384,4 in <sup>3</sup>	6,3 l	384,4 in <sup>3</sup>
<b>Tsükliäeg:</b> umbkaudne	0,9 sekundit		1,0 sekundit	

Müraväärtused on määratud vastavalt ISO 15744 ja ISO 3744 mürakatse nõuetele.		XT3	XT4
A-kaalutud helivõimsuse tase dB(A), $L_{WA}$	Müra määramatus: $k_{WA} = 3,0$ dB(A)	90,3 dB(A)	89,7 dB(A)
A-kaalutud helirõhu tase töökohas dB(A), $L_{pA}$	Müra määramatus: $k_{pA} = 3,0$ dB(A)	79,3 dB(A)	78,7 dB(A)
C-kaalutud maksimaalne helirõhu tase dB(C), $L_{pC}$ , tipp	Müra määramatus: $k_{pC} = 3,0$ dB(C)	82,7 dB(C)	81,5 dB(A)

Vibratsiooniväärtused on määratud vastavalt ISO 20643 ja ISO 5349 vibratsioonikatse nõuetele.		XT3	XT4
Vibratsioonitase, $a_{hd}$		1,41 m/s <sup>2</sup>	1,80 m/s <sup>2</sup>
Vibratsiooni määramatus: k		0,70 m/s <sup>2</sup>	0,90 m/s <sup>2</sup>
Deklareeritud vibratsioonitugevus vastavalt standardile EN 12096			

## 2.2 PAIGALDUSE SPETSIFIKATSIOONID

Needi tüüp	Needi diameeter mm [tolldes]										
	4 [5/32]	4,3	4,8 [3/16]	6	6,4 [1/4]	7	8	9	10	11	12
Avatud ots	●*		●**		●						
Suletud ots	●*		●**		●						
HR	●*		●		●						
HS					● (3)						
Multi-Grip	●*		●**		●						
TL	●*		●								
T-Rivet (Emhart)	●*		●		●						
Self-Pluggler	●*		●		●						
Ultra Grip (UG) (NPR)					⊗ (3)						
CD					● (3)						
Avex <sup>®</sup>	● (2)		● (2)		● (2)						
Stavex <sup>®</sup>	● (2)		● (2)		● (1)(3)						
Avinox <sup>®</sup> / Avibulb <sup>®</sup>	● (2)		● (2)	● (2)							
Avinox <sup>®</sup> XT / Avibulb <sup>®</sup> XT					● (1)(3)						
LSR/Bulbex <sup>®</sup>	● (2)		● (2)								
T-Lok <sup>®</sup>		● (2)	● (2)								
Avdel <sup>®</sup> SR	● (2)		● (2)		● (2)						
Hemlok <sup>®</sup>					● (1)(3)						
Interlock <sup>®</sup>			⊗ (2)		⊗ (1)(3)						
Maxlok <sup>®</sup>			● (3)		⊗ (3)						
Monobolt <sup>®</sup>			⊗ (1)(2)		⊗ (1)(3)						
Avtainer <sup>®</sup>									⊗ (1)(3)		
Avseal <sup>®</sup> (STD)				● (1)(3)		● (1)(3)	● (1)(3)	● (1)(3)	⊗ (1)(3)		
Avseal <sup>®</sup> (madala profiiliga)							● (1)(3)	● (1)(3)	● (1)(3)	⊗ (1)(3)	⊗ (1)(3)
Q Rivet	● (2)		● (2)		● (2)						
T Rivet (Avdel)			● (1)(2)		● (1)(2)						
Avdelmate <sup>®</sup>			● (2)		● (2)						
Klamp-Tite <sup>®</sup> BAPK			⊗ (2)		⊗ (2)						
Klamp-Tite <sup>®</sup> BAPKTR			⊗ (1)(2)		⊗ (1)(2)						
Avdelok <sup>®</sup>			● (3)		⊗ (3)						

\* Kasutage PRG540-46 lõugu ja FAN276-064 lõualükkurit.

\*\* Kasutage PRG540-46 lõugu.

● Kehtib nii XT3 kui ka XT4 kohta.

⊗ Kehtib ainult XT3 kohta.

⊗ Kehtib ainult XT4 kohta.

(1) Nõutav mittestandardne ninaosa.

(2) Saadaval alternatiivne ninavarustus.

(3) Nõutav mittestandardne ninavarustus.

Kui vajate täisnimekirja iga needitüübi jaoks sobivatest ninavarustustest koos kokkupaneku- ja hooldusjuhistega, lugege ProSet®-i ninavarustuse juhendit 07900-09414.

### 2.3 PAKENDI SISU

- 1 needipüstol ProSet® XT3 või XT4
- 1 ninavarustuse ja ninaosade standardkomplekt 4,8 mm [3/16"] ja 6,4 mm [1/4"] neetide jaoks
- 1 trükitud kasutusjuhend – olenevalt piirkonnast

### 2.4 PÕHIKOMPONENTIDE NIMEKIRI

Vt jooniseid 1 ja 2 ning allpool toodud tabelit.

Nimetus	Osa number	Kirjeldus	Kogus
1	76003-15000*	Standardne ninavarustus	1
2	76003-02022	Riputuskonks	1
3	76003-05200	Südamike kollektor	1
4	07001-00405	Õlikork	1
5	07003-00194	Tihend	1
6	76003-02008	Päästik	1
7	76003-03700	Sulgemisklapp	1
8	71210-02103	Kontramutter	1

### 2.5 STANDARDNE NINAVARUSTUS

Vt joonist 2 ning allpool toodud tabelit.

Nimetus	Osa number	Kirjeldus	Kogus
1c	PRN614	Ninaosa – 4,8 mm [3/16"] (kohandatud)	1
1d	PRN811	Ninaosa – 6,4 mm [1/4"]	1
1e	76003-15001	Nina kest	1
1f	07003-00067	Rõngastihend	1
1g	DPN276-001	Lõuajuhik	1
1h	PRG540-44	Lõuad	1 komplekt
1i	DPN276-006	Lõualükkur	1
1j	DPN900-060	Rõngastihend	1
1k	DPN901-019	Lõualükkuri vedru	1
1l	76003-15002	Tõmbepea	1
1m	76003-15004	Lõuajuhiku lukk	1
1n	DPN901-020	Vedru	1
1o	76003-15003	Tõmbepea adapter	1
1p	07003-00277	Rõngastihend	1

Ninavarustuse kohta lisateabe saamiseks vt ProSet®-i ninavarustuse juhendit 07900-09414 või külastage veebilehte [www.stanleyengineeredfastening.com/resource-center/document-library](http://www.stanleyengineeredfastening.com/resource-center/document-library).

Tööriista tarvikute täieliku nimekirja leiate ProSeti tarvikute juhendist 07900-09415.

\* Proset XT3 baasmudeliga (76003-01000) ja Proset XT4 baasmudeliga (76004-01000) ei ole kaasas ninavarustust.



### 3. TÖÖRIISTA ETTEVALMISTAMINE

**NB! ENNE SEADME ESMAKORDSET KASUTAMIST LUGEGE TÄHELEPANELIKULT LK 6 JA 8 OLEVAID HOIATUSI.**

**NB! ENNE OTSAKU PAIGALDAMIST VÕI EEMALDAMIST PEAB ÕHUTOIDE OLEMA VÄLJA LÜLITATUD VÕI ÜHENDUS KATKESTATUD.**

#### 3.1 NINAVARUSTUS (vt joonis 2)

Rasvases kirjas trükitud osade numbrid viitavad joonistele 1 ja 2 ning tabelitele leheküljel 11.

Tööriist tarnitakse eelnevalt kokkupanduna koos 4,8 mm [3/16"] neetide jaoks mõeldud ninaosaga.

Üks täiendav ninaosa 6,4 mm [1/4"] neetide jaoks on saadaval eraldi.

#### Ninaosa paigaldamine

- Õhutoite ühendus peab olema katkestatud.
- Valige paigaldatava needi jaoks sobiv ninaosa.
- Eemaldage nina kest (**1e**) koos ninaosaga (**1a, b, c või d**) ja rõngastihend (**1f**).
- Eemaldage ninaosa (**1a, b, c või d**) nina kestast (**1e**).
- Valige sobiva suurusega ninaosa ja pange vastupidises järjekorras kokku.

#### Kogu ninavarustuse eemaldamine

- Õhutoite ühendus peab olema katkestatud.
- Eemaldage nina kest (**1e**) koos ninaosaga (**1a, b, c või d**) ja rõngastihend (**1f**) tööriista küljest.
- Tõmmake lõuajuhiku lukk (**1m**) vastu vedru (**1n**) ja seejärel eemaldage lõuajuhik (**1g**).
- Eemaldage lõuad (**1h**) lõuajuhiku (**1g**) küljest.
- Eemaldage tõmbepea (**1l**) küljest lõualükkur (**1i**), rõngastihend (**1j**) ja lõualükkuri vedru (**1k**).
- Eemaldage tööriista kolvi küljest tõmbepea koost (**1q**), kasutades mutrivõtmeid.

#### Kogu ninavarustuse paigaldamine

- Õhutoite ühendus peab olema katkestatud.
- Kõik kulunud või kahjustunud osad tuleb välja vahetada.
- Puhastage ja kontrollige kulunud lõugu (**1h**).
- Veenduge, et lõualükkur (**1i**) või lõualükkuri vedru (**k**) pole moonunud.
- Katke lõuad (**1h**) õhukese liitiumolüüdenmäärde kihiga.
- Laske lõuad (**1h**) lõuajuhiku (**1g**) sisse.
- Sisestage lõualükkur (**1i**) ja rõngastihend (**1j**) tõmbepeasse (**1l**).
- Tõmmake lõuajuhiku lukk (**1m**) tagasi ja kruvige lõuajuhik (**1g**) tõmbepeal (**1l**) täielikult kinni.
- Vastastage lõuajuhiku lukk (**1m**) ja seejärel kruvige lõuajuhik (**1g**) osaliselt lahti, kuni lõuajuhiku luku (**1m**) hambad järgmises lõuajuhiku avas (**1g**) klõpsatades sulguvad.
- Asetage nina kest (**1e**) lõuajuhiku (**1g**) ümber ja tõmmake tööriista peal täielikult pingule.

Ninavarustust tuleb hooldada kord nädalas. Kuna ninavarustuse kõiki sisedetaile ja ninaosasid on vaja korrapäraselt vahetada, tuleks hoida varuosasid käepärast.

#### 3.2 ÕHUTOIDE (vt joonis 3)

Komponendid

- Sulgemiskraan (kasutusel filtri ja tavaliste või määrivate osade hoolduse ajal)
- Rõhuregulaator ja filter (igapäevane tühjendus)
- Peatoite tühjenduspunkt
- Stardipunkt peatoitest

- Kõik tööriistad töötavad suruõhuga minimaalse rõhuga 5,0 bar.
- Rõhuregulaatorid ja automaatset õlitamis-/filtreerimissüsteimid, mida kasutatakse õhu põhitaitel, mis on tööriistast 3 meetri kaugusel (vt joonis 3).
- Õhutoitevoolikute kasulik töö rõhk peab olema vähemalt 150% süsteemis tekkivast maksimaalsest rõhust või 10 bar, vastavalt sellele, kumb on suurem.

- Õhuvoolikud peavad olema õlikindlad, neil peab olema abrasioonikindel väliskülg ning need peavad olema soomustatud kohtades, kus voolikud võivad saada kahjustada.
- Kõikide õhuvoolikute ava läbimõõt PEAB olema vähemalt 6,4 millimeetrit.
- Kontrollige õhulekkeid. Kahjustuse korral tuleb voolikud ja liitmikud uute vastu välja vahetada.
- Kui rõhuregulaatoril pole filtrit, laske õhuühendusest õhk välja, et tühjendada see kogunenud mustusest või veest enne õhuvooliku ühendamist tööriistaga.

### 3.3 TÖÖPÕHIMÕTE

**ETTEVAATUST! ÕIGE TOITERÕHK ON OLULINE NEEDIPÜSTOLI NÕUETEKOHASEKS TÖÖTAMISEKS. KUI RÕHK POLE ÕIGE, VÕIVAD SELLE TAGAJÄRJEL TEKKIDA KEHAVIGASTUSED JA MUUD KAHJUSTUSED. TOITERÕHK EI TOHI ÜLETADA PAIGALDUSTÖÖRIISTA TEHNILISTES ANDMETES TOODUD VÄÄRTUST.**

Rasvases kirjas trükitud osade numbrid viitavad joonistele 1 ja 2 ning tabelitele leheküljel 11.

Kui paigaldustööriistaga on ühendatud pneumovoolik, saab tööriista tõmbe- ja tagastustsükleid reguleerida, vajutades ja vabastades käepidemel olevat päästikut (6).

- Õhutoite ühendus on katkestatud.
- Ühendage sobiv ninavarustus, nagu kirjeldatud lk 10 ja 12.
- Ühendage pneumovoolik õhu sisse/välja-klapiga (7).
- Ühendage pneumovoolik peaühenduse õhutoitega.
- Lülitage tööriista peatoide sisse, libistades õhu sisse/välja-klapi (7) ülemississe asendisse.
- Nüüd varustatakse tööriista õhuga ja vaakumsüsteem on töös.
- Talitluse kontrollimiseks tõmmake ja vabastage paar korda päästikut (6) tööriista täiskäigu ulatuses. Jälgige tööriista käitumist. Kontrollige vedeliku- ja/või õhulekkeid.

## 4. KASUTAMINE

### 4.1 TÖÖRIISTA KASUTAMINE (vt joonised 1, 4, 5 ja 6)

#### Needi paigaldamine

- Veenduge, et südamike kollektor (**3**) on paigaldatud.
- Sisestage needi südamik ninaosasse (**1a, b, c või d**). Vaakumsüsteem hoiab neeti ninaosas paigal.
- Seadke tööriist õigesse asendisse.
- Veenduge, et ninavarustus on töödetalli suhtes täisnurga all (90°).
- Tõmmake ja hoidke päästikut (**6**), kuni neet on lõplikult paigaldatud.
- Kui neet on lõplikult paigaldatud, vabastage päästik (**6**). Tööriist pöördub automaatselt tagasi esialgsesse asendisse. Südamik langeb vaakumsüsteemi poolt automaatselt südamike kollektorisse (**3**).
- Südamike kollektor tuleb tühjendada enne pooles ulatuses täitumist.

**ETTEVAATUST! ÄRGE KASUTAGE NEEDISÜDAMIKU VÕI NEEDI KERE SISESTAMISEL JÕUDU. SEDA TEHES VÕITE TÖÖRIISTA JA/VÕI RAKENDUST KAHJUSTADA.**

### 4.2 SÜDAMIKE KOLLEKTORI TÜHJENDAMINE (vt joonis 1)

**ETTEVAATUST! ÄRGE KASUTAGE TÖÖRIISTA, KUI SÜDAMIKE KOLLEKTOR ON EEMALDATUD.**

- Tööriist paigaldatakse kiirühenduse/vabastusega südamike kollektoriga (**3**).
- 60° pöördega eemaldatakse või asendatakse südamike kollektor.
- Kui eemaldate tööriistalt südamike kollektori (**3**), lülitub needi vaakumiga kinnihoidmine ja südamiku eraldussüsteem automaatselt välja.
- Südamike kollektori paigaldamisel lülitub vaakumsüsteem sisse.

## 5. TÖÖRIISTA HOOLDUS

### 5.1 HOOLDUSTÖÖDE SAGEDUS

Regulaarse hooldusega peab tegelema koolitatud personal ja iga aasta või iga 500 000 töötükli tagant, olenevalt sellest, kumb jõuab varem kätte, tuleb teha põhjalik ülevaatus.



ÕHUTOITEÜHENDUSE KATKESTAMINE



**ETTEVAATUST!** Ärge kunagi kasutage seadme mittemetallist osade puhastamiseks lahusteid ega muid kemikaale.

*Need kemikaalid võivad nimetatud osade materjale nõrgendada.*

### 5.2 NINAVARUSTUS

Ninavarustust tuleb hooldada nädalaste intervallidega või iga 5000 töötükli tagant. Kuna ninavarustuse kõiki sisedetaile ja ninaosasid on vaja korrapäraselt vahetada, hoidke varuosasid käepärast.

- Katkestage ühendus õhutoitega.
- Eemaldage kogu ninavarustus, järgides punktis 3.1 toodud kirjeldust.
- Vaadake kõik komponendid üle. Kõik kulunud või kahjustunud osad tuleb asendada uute osadega.
- Kindlasti kontrollige lõugade kulumist (**1h**).
- Puhastage kõiki osi ja kandke lõugadele (**1h**) molübdeenliitiummääret (07992-00020) ja ahendage lõuajuhiku ava (**1g**).
- Pange kokku vastavalt paigaldusjuhendi punktile 3.1.

### 5.3 IGAPÄEVANE HOOLDUS

- Enne kasutamist kontrollige hoolikalt tööriista, voolikut ja liitmikke, et avastada õhu- ja õlilekkeid. Kahjustuste korral lõpetage tööriista kasutamine ja vahetage kahjustatud osad välja.
- Kui rõhuregulaatoril pole filtrit, laske õhuühendusest õhk välja, et tühendada see kogunenud mustusest või veest enne õhuvooliku ühendamist tööriistaga. Filtri olemasolu korral laske see tühjaks.
- Kontrollige, et ninavarustus (**1**) oleks paigaldatava needi jaoks sobiv ja et see oleks õigesti paigaldatud.
- Kontrollige, et tööriista käik vastaks minimaalsetele spetsifikatsioonidele (vt 2.1).
- Südame kollektor (**3**) peab olema tööriistale paigaldatud.
- Kontrollige, et õhukamber oleks tihedalt tööriista kere külge kinnitatud.

### 5.4 IGANÄDALANE HOOLDUS

- Kontrollige hoolikalt tööriista, voolikut ja liitmikke, et avastada õhu- ja õlilekkeid. Kahjustuste korral lõpetage tööriista kasutamine ja vahetage kahjustatud osad välja.

Teeninduse, probleemide lahendamise ja hooldustööde täielikud juhised leiata hooldusjuhendist nr 07900-09410 (mudel XT3) ja nr 07900-09411 (mudel XT4).

Selle tööriista jaoks kasutatava määrdetäi ja õli ohutuskaardi leiata hooldusjuhendist nr 07900-09410 (mudel XT3) ja nr 07900-09411 (mudel XT4).

### 5.5 KESKKONNAKAITSE

Tagage vastavus kehtivatele jäätmekäitluse nõuetele. Kõik jäätmed tuleb toimetada heakskiidetud jäätmekäitlusettevõttesse või prügilasse, et vältida ohtu töötajatele ja keskkonnale.

## 6. EÜ VASTAVUSDEKLARATSIOON

**Stanley Engineered Fastening, Stanley House, Works Road, Letchworth Garden City, Hertfordshire, SG6 1JY ÜHENDKUNINGRIIK**, kinnitab ainuvastutajana, et see toode:

**Kirjeldus:** ProSet® XT3 ja ProSet® XT4 hüdropneumaatilised needipüstolid  
**Mudel:** POP-Avdel® / 76003 ja POP-Avdel® / 76004

mida käesolev deklaratsioon puudutab, vastab järgmistele ühtlustatud standarditele:

ISO 12100:2010	EN ISO 3744:2010
EN ISO 11202:2010	EN ISO 11148-1:2011
EN ISO 4413:2010	BS EN 28662-1:1993
EN ISO 4414:2010	EN ISO 20643:2008+A1:2012
EN ISO 28927-5:2009+A1:2015	ES100118-rev 17:2017

Tehniline dokumentatsioon on koostatud vastavalt 1. lisa punktile 1.7.4.1 kooskõlas järgmise direktiiviga:

**2006/42/EÜ – masinadirektiiv**

(2008. aasta õigusakt nr 1597 – masinate tarnimise (ohutusalsed) eeskirjad)

Allakirjutanu on vormistanud käesoleva deklaratsiooni STANLEY Engineered Fasteningi nimel.



**A. K. Seewraj**  
**Tehnoloogijaht, UK**

Avdel UK Limited, Stanley House, Works Road, Letchworth Garden City, Hertfordshire,  
 SG6 1JY ÜHENDKUNINGRIIK

**Väljaandmise koht:** Letchworth Garden City, UK

**Väljaandmise**  
**kuupäev:** 01-13-2017

Allakirjutanu on vastutav Euroopa Liidus müüdavate toodete tehnilise toimiku koostamise eest ja on vormistanud käesoleva deklaratsiooni Stanley Engineered Fasteningi nimel.

**Matthias Appel**  
**Tehnilise dokumentatsiooni töörühma juht**

Stanley Engineered Fastening, Tucker GmbH, Max-Eyth-Str.1,  
 35394 Gießen, Saksamaa



**Seade vastab**  
**masinadirektiivile 2006/42/EÜ**

## 7. ÜHENDKUNINGRIIGI VASTAVUSDEKLARATSIOON

**Stanley Engineered Fastening, Stanley House, Works Road, Letchworth Garden City, Hertfordshire, SG6 1JY ÜHENDKUNINGRIIK**, kinnitab ainuvastutajana, et see toode:

**Kirjeldus:**

**ProSet® XT3 ja ProSet® XT4 hüdropneumaatilised needipüstolid**

**Mudel:**

**POP-Avdel® / 76003 ja POP-Avdel® / 76004**

mida käesolev deklaratsioon puudutab, vastab järgmistele asjaomastele standarditele:

ISO 12100:2010	EN ISO 3744:2010
EN ISO 11202:2010	EN ISO 11148-1:2011
EN ISO 4413:2010	BS EN 28662-1:1993
EN ISO 4414:2010	EN ISO 20643:2008+A1:2012
EN ISO 28927-5:2009+A1:2015	ES100118-rev 17:2017

Tehniline dokumentatsioon on koostatud vastavalt masinate tarnimise (ohutusalastele) eeskirjadele 2008, S.I. 2008/1597 (muudetud).

Allkirjutanu on vormistanud käesoleva deklaratsiooni STANLEY Engineered Fasteningi nimel.



**A. K. Seewraj**  
**Tehnoloogijaht, UK**

Avdel UK Limited, Stanley House, Works Road, Letchworth Garden City, Hertfordshire,  
SG6 1JY ÜHENDKUNINGRIIK

**Väljaandmise koht:**

**Letchworth Garden City, UK**

**Väljaandmise  
kuupäev:**

**01-13-2017**



**Käesolev seade vastab järgmistele nõuetele:**  
**Masinate tarnimise (ohutusalased) eeskirjad 2008,**  
**S.I. 2008/1597 (muudetud)**

## 8. KAITSKE OMA INVESTEERINGUT!

### 8.1 POP<sup>®</sup>AVDEL<sup>®</sup>-I NEEDIPÜSTOLI GARANTII

STANLEY Engineered Fastening garanteerib, et kõik elektritööriistad on hoolikalt valmistatud ja neil ei esine materjali- ega tootmisdefekte tavatingimustes kasutades ja hooldades üheaastase (1) perioodi jooksul. Garantii kehtib tööriista esmaostjale üksnes ettenähtud eesmärgil kasutamiseks.

#### **Erandid**

##### **Tavapärane kulumine**

Garantii ei kata tavapärasest kulumisest tingitud perioodilist hooldust, remonti ega osade vahetust.

##### **Kuritarvitamine ja väärkasutamine**

Garantii ei hõlma defekte ega kahjustusi, mis on tingitud valesti kasutamisest, hoiustamisest, väärkasutamisest või kuritarvitamisest, õnnetusest või hooletusest (nt füüsiline kahju).

##### **Volitamata hooldus või muudatused**

Garantii ei hõlma defekte ega kahjustusi, mis on tingitud kellegi muu kui STANLEY Engineered Fasteningi või tema volitatud teeninduskeskuse poolsest teenindusest, seadistuste testimisest, paigaldusest, hooldusest, muutmisest või modifitseerimisest.

Käesolevaga välistatakse kõik muud otsesed ja kaudsed garantiid, sealhulgas igasugused garantiid seoses turustatavuse või otstarbeks sobivusega.

Kui tööriist ei vasta garantiiile, saatke see viivitamata lähimasse meie tehase volitatud hooldusesindusse. USA või Kanada POP<sup>®</sup>Avdel<sup>®</sup>-i volitatud teeninduskeskuste nimekirja saamiseks helistage meie tasuta numbril (877)364 2781.

Kui asute väljaspool USA-d ja Kanadat, külastage meie veebilehte **[www.StanleyEngineeredFastening.com](http://www.StanleyEngineeredFastening.com)**, et leida teile lähim STANLEY Engineered Fasteningi esindus.

STANLEY Engineered Fastening vahetab siis tasuta välja osa või osad, millel tuvastame materjali- või tootmisdefektist tuleneva vea, ning tagastab tööriista omal kulul. See on meie ainuvastutus antud garantii põhjal. STANLEY Engineered Fastening ei ole mitte mingil juhul vastutav kaudse või erandliku kahju eest, mis tuleneb selle tööriista ostmisest või kasutamisest.

### 8.2 REGISTREERIGE OMA NEEDIPÜSTOL INTERNETIS

Registreerige oma garantii internetis aadressil

<http://www.stanleyengineeredfastening.com/popavdel-powertools/warranty-card>.

Täname, et valisite STANLEY Engineered Fasteningi POP<sup>®</sup>Avdel<sup>®</sup>-i kaubamärgiga tööriista.

©2017 Stanley Black & Decker inc.

Sva prava pridržana.

Navedene informacije ne smiju se reproducirati i/ili činiti dostupnima javnosti na bilo koji način (elektronički ili mehanički) bez prethodnog izričitog i pisanog odobrenja tvrtke STANLEY Engineered Fastening. Navedene informacije temelje se na podacima poznatima u trenutku predstavljanja ovog proizvoda. STANLEY Engineered Fastening stalno uvodi poboljšanja proizvoda, koji su stoga podložni promjenama. Navedene informacije primjenjive su na proizvode tvrtke STANLEY Engineered Fastening. Tvrtka STANLEY Engineered Fastening stoga se ne može smatrati odgovornom ni za kakve štete proizašle iz odstupanja od izvornih specifikacija proizvoda.

Dostupne informacije sastavljene su krajnje pažljivo. Međutim, STANLEY Engineered Fastening ne može prihvatiti nikakvu odgovornost za pogrešne informacije ni njihove posljedice. STANLEY Engineered Fastening neće prihvatiti nikakvu odgovornost za štete proizašle iz aktivnosti i postupaka trećih strana. Radni i trgovački nazivi, registrirani zaštitni znakovi itd. koje koristi STANLEY Engineered Fastening neće se smatrati besplatnima ili slobodno dostupnima, sukladno zakonskim propisima o zaštiti zaštićenih znakova.

## Sadržaj

<b>1.</b>	<b>SIGURNOSNE DEFINICIJE .....</b>	<b>2</b>
1.1	OPĆA SIGURNOSNA PRAVILA .....	2
1.2	OPASNOSTI OD LETEĆIH PREDMETA .....	2
1.3	OPASNOSTI PRI UPOTREBI .....	3
1.4	OPASNOSTI VEZANE UZ PONAVLJAJUĆE POKRETE.....	3
1.5	OPASNOSTI OD PRIBORA .....	3
1.6	OPASNOSTI NA RADNOME MJESTU .....	4
1.7	OPASNOSTI OD BUKE .....	4
1.8	OPASNOSTI OD VIBRACIJA.....	4
1.9	DODATNE SIGURNOSNE UPUTE ZA PNEUMATSKE ELEKTRIČNE ALATE .....	4
<b>2.</b>	<b>SPECIFIKACIJE.....</b>	<b>5</b>
2.1.	SPECIFIKACIJE ALATA.....	5
2.2	SPECIFIKACIJE ZA POSTAVLJANJE.....	6
2.3	SADRŽAJ PAKETA .....	7
2.4	POPIS GLAVNIH DIJELOVA .....	7
2.5	STANDARDNA NOSNA OPREMA.....	7
<b>3.</b>	<b>PODEŠAVANJE ALATA .....</b>	<b>8</b>
3.1	NOSNA OPREMA (sl. 2).....	8
3.2	DOVOD ZRAKA (sl. 3).....	8
3.3	PRINCIP RADA .....	9
<b>4.</b>	<b>RADNI POSTUPAK.....</b>	<b>10</b>
4.1	UPOTREBA ALATA (sl. 1, 4, 5, 6).....	10
4.2	PRAŽNENJE KOLEKTORA KLINOVA (sl. 1).....	10
<b>5.</b>	<b>SERVISIRANJE ALATA .....</b>	<b>11</b>
5.1	UČESTALOST ODRŽAVANJA .....	11
5.2	NOSNA OPREMA .....	11
5.3	SVAKODNEVNO SERVISIRANJE .....	11
5.4	TJEDNO SERVISIRANJE .....	11
5.5	ZAŠTITA OKOLIŠA .....	11
<b>6.</b>	<b>EC-DEKLARACIJA USKLAĐENOSTI .....</b>	<b>12</b>
<b>7.</b>	<b>UK DEKLARACIJA USKLAĐENOSTI .....</b>	<b>13</b>
<b>8.</b>	<b>ZAŠTITITE SVOJE ULAGANJE! .....</b>	<b>14</b>
8.1	POP "AVDEL" JAMSTVO ZA ALAT ZA SLIJEPE ZAKOVICE .....	14
8.2	REGISTRIRAJTE SVOJ ALAT ZA SLIJEPE ZAKOVICE ONLINE.....	14





Ovaj priručnik s uputama moraju pročitati sve osobe koje postavljaju ili koriste ovaj alat, uz poseban naglasak na sljedeća sigurnosna pravila.



Tijekom upotrebe alata uvijek nosite zaštitu za oči otpornu na udarce. Provjerite potreban stupanj zaštite prije svake upotrebe.



Upotrijebite zaštitu za sluh prema uputama poslodavca i sukladno sigurnosnim propisima za zaštitu zdravlja na radnom mjestu.



Upotreba alata može izložiti ruke korisnika rizicima, kao što su prignječenja, udarci, posjekotine, ogrebotine i opekline. Nosite odgovarajuće rukavice kako biste zaštitili ruke.

## 1. SIGURNOSNE DEFINICIJE

Definicije navedene u nastavku opisuju razinu ozbiljnosti svih upozorenja. Pročitajte priručnik i obratite pažnju na ove simbole.



**OPASNOST:** Označava neposrednu opasnu okolnost koja će, ako se ne izbjegne, rezultirati smrću ili ozbiljnim ozljedama.



**UPOZORENJE:** naznačava potencijalno opasnu okolnost koja, ako se ne izbjegne, može rezultirati smrću ili ozbiljnim ozljedama.



**OPREZ:** naznačava neposrednu opasnu okolnost koja, ako se ne izbjegne, može rezultirati manjim ili srednjim ozljedama.

**OPREZ:** upotrijebljeno bez simbola sigurnosnog upozorenja, naznačava potencijalno opasnu okolnost koja, ako se ne izbjegne, može rezultirati materijalnom štetom.

**Nepravilna upotreba ili održavanje ovog proizvoda mogu rezultirati ozbiljnim ozljedama ili materijalnom štetom.**

**Prije upotrebe ovog proizvoda pročitajte i usvojite sva upozorenja i upute. Tijekom korištenja električnih alata uvijek se pridržavajte osnovnih sigurnosnih mjera kako biste smanjili rizik od tjelesnih ozljeda.**

### SVUA UPOZORENJA I UPUTE ČUVAJTE ZA SLUČAJ POTREBE

#### 1.1 OPĆA SIGURNOSNA PRAVILA

- Pročitajte sigurnosne upute prije postavljanja, upotrebe, popravaka, održavanja alata i promjene pribora na alatu, kao i prije rada u blizini alata. U suprotnom može doći do teških ozljeda.
- Alat mogu postavljati, podešavati i koristiti samo stručne osobe.
- Koristite samo za postavljanje slijepih zakovica tvrtke STANLEY Engineered Fastening.
- Koristite samo dijelove, vijke i pribor koji preporučuje proizvođač.
- NEMOJTE modificirati alat. Modifikacije mogu smanjiti učinkovitost mjera sigurnosti i povećati rizik za korisnika. Bilo kakva modifikacija alata koju poduzme korisnik bit će isključivo njegova odgovornost i poništiti će sva primjenjiva jamstva.
- Nemojte odbacivati sigurnosne upute. Predajte ih korisniku.
- Nemojte koristiti alat ako je oštećen.
- Prije upotrebe provjerite ima li kakvih otklona ili savijenih pokretnih dijelova, napuknuća ili bilo kakvih drugih stanja koja mogu utjecati na rad alata. U slučaju oštećenja servisirajte alat prije daljnje upotrebe. Prije upotrebe uklonite sve ključeve za podešavanje, alate i sl.
- Alate treba povremeno pregledavati radi provjere jesu li oznake koje zahtijeva ISO 11148 čitljivo označene. Zaposlenik/korisnik treba se obratiti proizvođaču kako bi po potrebi pribavio zamjenske oznake.
- Alat treba održavati tako da bude siguran za uporabu i redovito provjeravati od strane stručnog osoblja. Bilo kakvo rastavljanje smiju obavljati samo stručne osobe. Nemojte rastavljati ovaj alat prije nego što pročitate upute za uporabu.

#### 1.2 OPASNOSTI OD LETEĆIH PREDMETA

- Odspojite crijevo za dovod zraka od alata prije bilo kakvog održavanja, podešavanja, priključivanja ili uklanjanja nosnog sklopa ili opreme.
- Napominjemo da uslijed pogrešaka u radnom materijalu, priboru, pa čak i samom umetnutom alatu, može

- doći do opasnosti uslijed predmeta koji se odbacuju i lete velikom brzinom.
- Tijekom upotrebe alata uvijek nosite zaštitu za oči otpornu na udarce. Provjerite potreban stupanj zaštite prije svake upotrebe.
  - Potrebno je uzeti u obzir i rizike za druge osobe.
  - Provjerite je li radni materijal dobro učvršćen.
  - Provjerite jesu li poduzete odgovarajuće mjere zaštite od izbačenih zakovica ili njihovih osovina.
  - Alat nemojte koristiti ako osovinski spremnik nije postavljen.
  - Upozorite druge osobe na osovine koje se mogu velikom brzinom izbaciti iz prednjeg dijela alata.
  - Alat NEMOJTE usmjeravati prema drugim osobama.

### **1.3 OPASNOSTI PRI UPOTREBI**

- Upotreba alata može izložiti ruke korisnika rizicima, kao što su prignječnja, udarci, posjekotine, ogrebotine i opekline. Nosite odgovarajuće rukavice kako biste zaštitili ruke.
- Korisnici i osoblje koje radi na održavanju moraju biti fizički sposobni nositi se s veličinom, težinom i snagom alata.
- Pravilno držite alat. Budite spremni oduprijeti se uobičajenim i naglim kretnjama. Neka vam obje ruke budu dostupne.
- Rukohvate alata održavajte suhima, čistima te bez ulja i masti.
- Prilikom upotrebe alata održavajte tijelo u ravnoteži i zauzmite stabilan položaj.
- Oslobodite uređaj start-stop u slučaju prekida rada hidraulike.
- Koristite samo maziva koja preporučuje proizvođač.
- Izbjegavajte kontakt s hidrauličkom tekućinom. Ako dođe do kontakta, dobro operite kako biste smanjili mogućnost osipa.
- Tablice s podacima o sigurnosti materijala za sva hidraulična ulja i maziva dostupni su na zahtjev putem dobavljača alata.
- Izbjegavajte neprikladne položaje tijela jer oni vjerojatno neće omogućiti odupiranje uobičajenim ili neočekivanim kretnjama alata.
- Ako je alat fiksiran za suspenzijski uređaj, provjerite je li dobro učvršćen.
- Ako nosna oprma nije postavljena, pazite da vas alat ne prignječi ili ne uklješti.
- NEMOJTE koristiti alat ako je nosno kućište uklonjeno.
- Prije nastavka rada osigurajte dovoljno prostora za ruke.
- Prilikom prenošenja alata držite ruke podalje od okidača kako ne biste slučajno aktivirali alat.
- NEMOJTE zlorabiti alat tako da ga ispuštate ili koristite kao čekić.
- Istrošene osovine mogu dovesti do opasnih situacija.
- Osovinski spremnik treba prazniti kada je približno dopola pun.

### **1.4 OPASNOSTI VEZANE UZ PONAVLJAJUĆE POKRETE**

- Prilikom upotrebe alata možda ćete osjetiti nelagodu u šakama, rukama, ramenima, vratu ili drugim dijelovima tijela.
- Prilikom upotrebe alata zauzmite udoban, ali stabilan položaj i pazite da ne izgubite ravnotežu. Tijekom dulje upotrebe mijenjajte položaj kako biste izbjegli nelagodu i umor.
- Ako osjetite stalnu ili ponavljajuću nelagodu, bol, probadanje, trnce, utrnulost, peckanje ili ukočenost, nemojte zanemarivati te znakove upozorenja. Obavijestite poslodavca ili se obratite liječniku.

### **1.5 OPASNOSTI OD PRIBORA**

- Odvojite alat od dovoda zraka prije postavljanja ili uklanjanja nosnog sklopa ili opreme.
- Koristite samo dimenzije i vrste pribora te potrošnog materijala koje preporučuje proizvođač alata. Nemojte koristiti pribor ili potrošni materijal drugih vrsta ili dimenzija.

**1.6 OPASNOSTI NA RADNOME MJESTU**

- Klizanje, spoticanje i padovi glavni su uzroci ozljeda na radnome mjestu. Čuvajte se klizavih površina uzrokovanih upotrebom alata i pazite da se ne spotaknete na crijevo za dovod zraka ili crijevo hidraulike.
- Budite oprezni u nepoznatim okruženjima. Može biti skrivenih opasnosti, kao što su električni i drugi vodovi.
- Alat nije predviđen za upotrebu u potencijalno eksplozivnoj okolini i nije izoliran od kontakta s električnom strujom.
- Provjerite ima li električnih kabela, plinskih cijevi i sl. kako ne bi došlo do opasnosti uslijed njihovog oštećenja alatom.
- Nosite odgovarajuću odjeću. Ne nosite široku odjeću ili nakit. Kosu, odjeću i rukavice uvijek držite podalje od pokretnih dijelova. Pokretni dijelovi mogu zahvatiti labavo obučenu odjeću, nakit ili dugu kosu.
- Istrošene osovine mogu dovesti do opasnih situacija.

**1.7 OPASNOSTI OD BUKE**

- Izloženost visokim razinama buke može uzrokovati trajni gubitak sluha i druge poteškoće, kao što je tinitus (zujanje u ušima). Stoga je ključno provjeriti rizik i promijeniti odgovarajuće mjere zaštite.
- Odgovarajuće mjere za zaštitu od rizika mogu obuhvaćati izolirajuće materijale koji sprječavaju „odzvanjanje“ radnog materijala.
- Upotrijebite zaštitu za sluh prema uputama poslodavca i sukladno sigurnosnim propisima za zaštitu zdravlja na radnom mjestu.
- Alat koristite i održavajte prema preporukama u priručniku s uputama kako biste spriječili nepotrebno povećanje buke.
- Prilikom upotrebe alata provjerite je li postavljen prigušivač u kolektoru osovina te je li ispravan.

**1.8 OPASNOSTI OD VIBRACIJA**

- Izloženost vibracijama može uzrokovati oštećenje živaca te krvotoka u šakama i rukama.
- Nosite toplu odjeću prilikom rada u hladnim uvjetima kako bi vam šake ostale tople i suhe.
- Ako osjetite utrnulost, trnce, bol ili primijetite da vam je koža na prstima ili šakama pobijelila, prekinite s upotrebom alata te obavijestite poslodavca i liječnika.
- Ako je moguće, poduprite alat stalkom ili sl. kako ga ne biste morali prečvrsto držati.

**1.9 DODATNE SIGURNOSNE UPUTE ZA PNEUMATSKE ELEKTRIČNE ALATE**

- Radni tlak ne smije prijeći 7 bara (100 PSI).
- Ulje pod tlakom može uzrokovati teške ozljede.
- Pokrenut alat ne ostavljajte bez nadzora. Odvojite crijevo za dovod zraka dok alat nije u upotrebi, prije promjene pribora ili prilikom obavljanja popravaka.
- NE usmjeravajte zrak iz ispuha na osovinskom spremniku prema sebi ili drugim osobama. Zrak nemojte usmjeravati prema sebi ili drugim osobama.
- Crijeva koja se odvoje mogu uzrokovati teške ozljede. Uvijek provjerite jesu li neka crijeva ili pričvrtni dijelovi oštećeni ili labavi.
- Prije upotrebe provjerite jesu li oštećeni zračni vodovi te jesu li svi priključci dobro spojeni. Na crijeva nemojte ispuštati teške predmete. Snažan udarac može uzrokovati unutarnje oštećenje i uzrokovati neispravnost crijeva.
- Hladan zrak nemojte usmjeravati prema rukama.
- Prilikom svake upotrebe zakretnih (čeljusnih) spojnika potrebno je postaviti učvršne klinove. Upotrijebite sigurnosne kabele kako biste se zaštitili od crijeva koje se može odvojiti od alata ili drugog crijeva.
- Alat za postavljanje NEMOJTE podizati držeći ga za crijevo. Uvijek koristite rukohvat alata za postavljanje.
- Ventilacijski otvori ne smiju se blokirati ni prekrivati.
- Priljavštinu i strane tvari držite podalje od hidrauličkog sustava alata jer to uzrokuje kvar.

**Tvrtka STANLEY Engineered Fastening teži stalnom razvoju i poboljšavanju svojih proizvoda te zadržava pravo promjene specifikacija bilo kojeg proizvoda bez prethodne najave.**

## 2. SPECIFIKACIJE

ProSet® XT3 i XT4 su hidropneumatski alati za brzo postavljanje slijepih zakovica tvrtke Stanley Engineered Fastening. Alati su opremljeni sustavom usisavanja za jednostavno prikupljanje potrošenih osovina bez obzira na orijentaciju alata.

U kombinaciji s odgovarajućom nosnom opremom, ProSet® XT3 i XT4 mogu se koristiti za postavljanje slijepih zakovica u rasponu od  $\varnothing$  4 mm do  $\varnothing$  6,4 mm. Popis zakovica koje se mogu postavljati pronaći ćete u tablici na str. 10.

Uvijek treba poštivati sigurnosna upozorenja navedena na stranicama 2 i 4.

**NEMOJTE** koristiti u vlažnim uvjetima ili u prisutnosti zapaljivih tekućina i plinova.

### 2.1. SPECIFIKACIJE ALATA

	XT3		XT4	
<b>Sila povlačenja:</b> pri 5,5 bara	17,0 kN	3.822 lbf	23,0 kN	5193 lbf
<b>Tlak dovoda zraka:</b> Min. do Maks.	5 - 7 bara	72,5 - 101,5 lbf/in <sup>2</sup>	5 - 7 bara	72,5 - 101,5 lbf/in <sup>2</sup>
<b>Tlak ulja:</b> povlačenje pri 5,5 bara	290 bara	4206 lbf/in <sup>2</sup>	395 bara	5729 lbf/in <sup>2</sup>
<b>Potez:</b> Minimalni potez klipa	26,0 mm	1,02 in.	18,0 mm	0,91 in.
<b>Masa:</b> uključujući nosnu opremu	2,24 kg	4,94 lb	2,26 kg	4,98 lb
<b>Masa:</b> bez nosne opreme	2,00 kg	4,41 lb	2,02 kg	4,41 lb
<b>Volumen zraka:</b> pri 5,5 bara	6,3 l	384,4 in <sup>3</sup>	6,3 l	384,4 in <sup>3</sup>
<b>Trajanje ciklusa:</b> približno	0,9 sekundi		1,0 sekundi	

Vrijednosti buke prema standardu ISO 15744 i ISO 3744.		XT3	XT4
A-ponderirana snaga zvuka dB(A), $L_{WA}$	Nesigurnost buke: $k_{WA} = 3.0$ dB(A)	90,3 dB(A)	89,7 dB(A)
A-ponderirana razina zvučnog tlaka na radnome mjestu dB(A), $L_{pA}$	Nesigurnost buke: $k_{pA} = 3.0$ dB(A)	79,3 dB(A)	78,7 dB(A)
C-ponderirana vršna razina zvučnog tlaka dB(C), $L_{pC}$ , vrh	Nesigurnost buke: $k_{pC} = 3.0$ dB(C)	82,7 dB(C)	81,5 dB(A)

Vrijednosti vibracija prema standardu ISO 20643 i ISO 5349.		XT3	XT4
Vibracije, $a_{hd}$ :		1,41 m/s <sup>2</sup>	1,80 m/s <sup>2</sup>
Nesigurnost vibracija: k		0,70 m/s <sup>2</sup>	0,90 m/s <sup>2</sup>
Deklarirane vrijednosti emisije vibracija sukladno smjernici EN 12096			

## 2.2 SPECIFIKACIJE ZA POSTAVLJANJE

Vrsta zakovice	Promjer zakovice mm [inči]										
	4 [5/32]	4,3	4,8 [3/16]	6	6,4 [1/4]	7	8	9	10	11	12
Otvoreni kraj	●*		●**		●						
Zatvoreni kraj	●*		●**		●						
HR	●*		●		●						
HS					● (3)						
Multi-Grip	●*		●**		●						
TL	●*		●								
T-zakovica (Emhart)	●*		●		●						
Self-Pluggger	●*		●		●						
Ultra Grip (UG) (NPR)					⊗ (3)						
CD					● (3)						
Avex <sup>®</sup>	● (2)		● (2)		● (2)						
Stavex <sup>®</sup>	● (2)		● (2)		● (1)(3)						
Avinox <sup>®</sup> / Avibulb <sup>®</sup>	● (2)		● (2)	● (2)							
Avinox <sup>®</sup> XT / Avibulb <sup>®</sup> XT					● (1)(3)						
LSR/Bulbex <sup>®</sup>	● (2)		● (2)								
T-Lok <sup>®</sup>		● (2)	● (2)								
Avdel <sup>®</sup> SR	● (2)		● (2)		● (2)						
Hemlok <sup>®</sup>					● (1)(3)						
Interlock <sup>®</sup>			⊗ (2)		⊗ (1)(3)						
Maxlok <sup>®</sup>			● (3)		④ (3)						
Monobolt <sup>®</sup>			⊗ (1)(2)		⊗ (1)(3)						
Avtainer <sup>®</sup>									④ (1)(3)		
Avseal <sup>®</sup> (STD)				● (1)(3)		● (1)(3)	● (1)(3)	● (1)(3)	④ (1)(3)		
Avseal <sup>®</sup> (nisko-tlačna)						● (1)(3)	● (1)(3)	● (1)(3)	● (1)(3)	④ (1)(3)	④ (1)(3)
Q zakovica	● (2)		● (2)		● (2)						
T-zakovica (Avdel)			● (1)(2)		● (1)(2)						
Avdelmate <sup>®</sup>			● (2)		● (2)						
Klamp-Tite <sup>®</sup> BAPK			⊗ (2)		⊗ (2)						
Klamp-Tite <sup>®</sup> BAPKTR			⊗ (1)(2)		⊗ (1)(2)						
Avdelok <sup>®</sup>			● (3)		④ (3)						

\* Upotrijebite čeljusti PRG540-46 i sklop potiskivača FAN276-064

\*\* Upotrijebite čeljusti PRG540-46.

● Primjenjivo samo za alate XT3 i XT4

(1) Potreban je nestandardni nosni dio.

⊗ Primjenjivo je samo za alat XT3

(2) Dostupan je alternativni nosni dio.

④ Primjenjivo je samo za alat XT4

(3) Potreban je nestandardni nosni dio.

Potpuni popis kompatibilnih nosnih dijelova za svaku vrstu zakovice, kao i upute za sastavljanje i održavanje pronaći ćete u priručniku 07900-09414 za nosnu opremu ProSet.\*

### 2.3 SADRŽAJ PAKETA

- 1 Alat za slijepe zakovice ProSet® XT3 ili XT4.
- 1 Komplet standardne nosne opreme i nosnih dijelova za zakovice dimenzija 4,8 mm [3/16"] i 6,4 mm [1/4"].
- 1 Tiskani priručnik s uputama - ovisno o regiji.

### 2.4 POPIS GLAVNIH DIJELOVA

Pregledajte sl. 1, 2 i tablicu u nastavku.

Stavka	Broj dijela	Opis	Kol.
1	76003-15000*	Standardna nosna oprema	1
2	76003-02022	Kuka za vješanje	1
3	76003-05200	Spremnik strukova	1
4	07001-00405	Uljni čep	1
5	07003-00194	Brtva	1
6	76003-02008	Okidač	1
7	76003-03700	Ventil za uključivanje/isključivanje	1
8	71210-02103	Sigurnosna matica	1

### 2.5 STANDARDNA NOSNA OPREMA

Pregledajte sl. 2 i tablicu u nastavku.

Stavka	Broj dijela	Opis	Kol.
1c	PRN614	Nosni dio - 4,8 mm [3/16"] (postavljen)	1
1d	PRN811	Nosni dio - 6,4 mm [1/4"]	1
1e	76003-15001	Nosno kućište	1
1f	07003-00067	O prsten	1
1g	DPN276-001	Vodilica čeljusti	1
1h	PRG540-44	Čeljusti	1 komplet
1i	DPN276-006	Potiskivač čeljusti	1
1j	DPN900-060	O prsten	1
1k	DPN901-019	Opruga potiskivača čeljusti	1
1l	76003-15002	Povlačna glava	1
1m	76003-15004	Blokada vodilice čeljusti	1
1n	DPN901-020	Opruga	1
1o	76003-15003	Prilagodnik povlačne glave	1
1p	07003-00277	O prsten	1

Za dodatnu nosnu opremu pregledajte ProSet® priručnik za nosnu opremu 07900-09414 ili posjetite [www.stanleyengineeredfastening.com/resource-center/document-library](http://www.stanleyengineeredfastening.com/resource-center/document-library)

Potpuni popis pribora za alat pronaći ćete u ProSet priručniku 07900-09415.

\* Nosna oprema nije isporučena uz osnovni alat Proset XT3 (76003-01000) i osnovni alat Proset XT4 (76004-01000).

### 3. PODEŠAVANJE ALATA

**VAŽNO - PRIJE UPOTREBE PAŽLJIVO PROČITAJTE SIGURNOSNA PRAVILA NA STRANICI 6 i 8.**

**VAŽNO - PRIJE POSTAVLJANJA ILI UKLANJANJA NOSNOG SKLOPA TREBA ISKLJUČITI ILI ODSPOJITI DOVOD ZRAKA.**

#### 3.1 NOSNA OPREMA (sl. 2)

Brojevi stavki otisnuti podebljanim slovima odnose se na komponente na slikama 1 i 2 na str. 11.

Alat se isporučuje tvornički sastavljen s nosnim dijelom za zakovice od 4,8 mm [3/16"].

Jedan dodatni nosni dio za zakovice od 6,4 mm [1/4"] isporučuje se zasebno.

#### Postavljanje nosnog dijela

- Dovod zraka treba odspojiti.
- Odaberite odgovarajući nosni dio za zakovicu koju postavljate.
- Uklonite nosno kućište (**1e**), uključujući nosni dio (**1 a, b, c ili d**) i O prsten (**1f**)
- Uklonite nosni dio (**1a, b, c ili d**) s nosnog kućišta (**1e**)
- Odaberite nosni dio odgovarajuće veličine i sastavite obrnutim redoslijedom.

#### Uklanjanje kompletne nosne opreme

- Dovod zraka treba odspojiti.
- Uklonite nosno kućište (**1e**), uključujući nosni dio (**1 a, b, c ili d**) i O prsten (**1f**)
- Povucite blokadu vodilice čeljusti (**1m**) uz oprugu (**1n**), a zatim uklonite vodilicu čeljusti (**1g**).
- Odvojite čeljusti (**1h**) od vodilice (**1g**).
- Odvojite potiskivač čeljusti (**1i**), O prsten (**1j**) i oprugu potiskivača (**1k**) od povlačne glave (**1l**).
- Uklonite sklop povlačne glave (**1q**) od klipa alata pomoću ključeva.

#### Postavljanje kompletne nosne opreme

- Dovod zraka treba odspojiti.
- Sve istrošene ili oštećene dijelove treba zamijeniti.
- Očistite čeljusti i provjerite jesu li istrošene (**1h**).
- Provjerite nisu li potiskivač (**1i**) ili opruga (**k**) deformirani.
- Na čeljusti (**1h**) nanesite tanak sloj litijskog maziva Moly.
- Spustite čeljusti (**1h**) u vodilicu (**1g**).
- Umetnite potiskivač (**1i**) i O prsten (**1j**) u povlačnu glavu (**1l**).
- Povucite blokadu vodilice čeljusti (**1m**) i potpuno uvijte vodilicu (**1g**) na povlačnu glavu (**1l**).
- Oslobodite blokadu vodilice čeljusti (**1m**), a zatim djelomično odvijte vodilicu (**1g**) tako da zubac blokade vodilice (**1m**) uđe u sljedeći utor na vodilici (**1g**).
- Postavite nosno kućište (**1e**) preko vodilice čeljusti (**1g**) i čvrsto pritegnite za alat.

Nosne sklopove treba servisirati u tjednim intervalima. Interni dijelovi nosnog sklopa i nosni vrhovi potrošni su materijal, stoga ih je dobro uvijek imati u zalihama.

#### 3.2 DOVOD ZRAKA (sl. 3)

Dijelovi

- Otponac (koristi se tijekom održavanja filtra/obični ili podmazani uređaji)
- Regulator tlaka i filter (svakodnevno pražnjenje)
- Ispusno mjesto glavnog dovoda
- Točka isključivanja iz glavnog dovoda

- Svi alati rade na komprimirani zrak minimalnog tlaka 5 bara.
- Regulatori tlaka i automatski sustavi podmazivanja/filtriranja koriste se na glavnom dovodu zraka unutar 3 metra od alata (sl. 3).
- Crijeva dovoda zraka imaju minimalni učinkoviti radni tlak od 150% maksimalnog tlaka proizvedenog u sustavu ili 10 bara, ovisno o tome što je više.

- Crijeva za zrak moraju biti otporna na ulja, imati vanjski dio otporan na abrazije i biti zaštićena s vanjske strane, ako radni uvjeti mogu dovesti do njihovog oštećenja.
- Sva crijeva za zrak MORAJU imati minimalni provrt od 6,4 milimetra.
- Provjerite curenja zraka. Ako se oštete, crijeva i spojeve treba zamijeniti novima.
- Ako na regulatoru tlaka nema filtra, propušite vodove zraka kako biste ih očistili od nakupljene nečistoće ili vode prije nego što priključite crijevi zraka na alat.

### 3.3 PRINCIP RADA

**OPREZ - ZA PRAVILNO FUNKCIONIRANJE ALATA VAŽAN JE ODGOVARAJUĆI DOVODNI TLAK. AKO TLAK NIJE ODGOVARAJUĆI, MOŽE DOĆI DO OZLJEDA ILI MATERIJALNE ŠTETE. DOVODNI TLAK NE SMIJE BITI VEĆI OD NAVEDENOG U SPECIFIKACIJAMA ALATA.**

Brojevi stavki otisnuti podebljanim slovima odnose se na komponente na slikama 1 i 2 na str. 11.

Kada je pneumatsko crijevo priključeno na alat za postavljanje, ciklusima rada alata upravlja se pritiskanjem i puštanjem prekidača **(6)** na rukohvatu.

- Dovod zraka je odspojen.
- Priključite odgovarajuću nosnu opremu, kao što je opisano na str. 10 i 12.
- Priključite pneumatsko crijevo na ventil za uključivanje/isključivanje **(7)**.
- Priključite dovod zraka pneumatskog crijeva.
- Uključite alat tako da ventil za uključivanje/isključivanje **(7)** pomaknete prema gore.
- Dovod zraka prema alatu sada je uključen i sustav usisavanja je aktiviran.
- Povucite i pustite prekidač **(6)** nekoliko puta do punog poteza alata kako biste provjerili radi li alat ispravno. Promatrajte kako alat radi. Provjerite ima li curenja tekućina i/ili zraka.



## 4. RADNI POSTUPAK

### 4.1 UPOTREBA ALATA (sl. 1, 4, 5, 6)

#### Postavljanje slijepe zakovice

- Provjerite je li postavljen spremnik strukova (3).
- Umetnite struk zakovice u nosni dio (1a, b, c ili d). Sustav usisavanja zadržat će zakovicu u nosnom dijelu.
- Namjestite alat.
- Provjerite je li nosni sklop pod pravim kutom (90°) u odnosu na radni materijal.
- Povucite i zadržite prekidač (6) dok zakovica ne bude potpuno postavljena.
- Kada je zakovica potpuno postavljena, pustite prekidač (6). Alat će se automatski vratiti u početni položaj. Usisni sustav automatski će spustiti struk u spremnik (3).
- Spremnik strukova treba isprazniti prije nego što se napuni dopola.

**OPREZ - NE FORSIRAJTE UMETANJE STRUKA ZAKOVICE. TO UZROKUJE OŠTEĆENJE ALATA I/ILI RADNOG MATERIJALA.**

### 4.2 PRAŽNENJE KOLEKTORA KLINOVA (sl. 1)

#### OPREZ - NE KORISTITE ALAT DOK JE SPREMNIK UKLONJEN.

- Alat je opremljen spremnikom strukova koji se brzo priključuje i oslobađa (3).
- Spremnik se uklanja i postavlja zakretanjem za 60°.
- Uklanjanjem spremnika (3) automatski se isključuje usisni sustav pridržavanja zakovica i njihovog izbacivanja.
- Postavljanjem spremnika usisni sustav se uključuje.

## 5. SERVISIRANJE ALATA

### 5.1 UČESTALOST ODRŽAVANJA

Redovite servise treba obavljati stručno osoblje, a sveobuhvatni pregled treba napraviti jedanput godišnje ili svakih 500.000 ciklusa, ovisno o tome što je prije.



ODSPAJANJE DOVODA ZRAKA



**OPREZ** - za čišćenje nemetalnih dijelova alata nemojte rabiti otapala ni druge agresivne kemikalije. Te kemikalije mogu oslabiti materijale od kojih su ovi dijelovi izrađeni.

### 5.2 NOSNA OPREMA

Nosne sklopove treba servisirati u tjednim intervalima ili svakih 5.000 ciklusa. Interni dijelovi nosnog sklopa i nosni vrhovi potrošni su materijal, stoga ih je dobro uvijek imati u zalihama.

- Odspojite dovod zraka
- Uklonite kompletni nosni sklop kao što je opisano u odjeljku 3.1.
- Pregledajte sve dijelove. Sve istrošene ili oštećene dijelove treba zamijeniti novima.
- Osobito provjerite čeljusti (**1h**).
- Očistite sve dijelove i nanesite litijsko mazivo (07992-00020) na čeljusti (**1h**) i provrt vodilice čeljusti (**1g**).
- Sastavite prema uputama u odjeljku 3.1.

### 5.3 SVAKODNEVNO SERVISIRANJE

- Prije upotrebe provjerite ima li curenja zraka i ulja na alatu, crijevu te spojnicama. U slučaju oštećenja prestanite upotrebljavati alat i oštećene dijelove zamijenite novima.
- Ako na regulatoru tlaka nema filtra, propušite vodove zraka kako biste ih očistili od nakupljene nečistoće ili vode prije nego što priključite crijevi zraka na alat. Ako je postavljen filter, ispraznite ga.
- Provjerite odgovara li nosna oprema (**1**) zakovicama koje koristite i je li pravilno postavljena.
- Provjerite ispunjava li potez alata minimalne specifikacije (odjeljak 2.1).
- Spremnik strukova (**3**) mora biti postavljen na alat.
- Provjerite je li zračna komora čvrsto pritegnuta na kućište alata.

### 5.4 TJEDNO SERVISIRANJE

- Provjerite ima li curenja zraka i ulja na alatu, crijevu te spojnicama. U slučaju oštećenja prestanite upotrebljavati alat i oštećene dijelove zamijenite novima.

Potpune informacije o servisiranju, otklanjanju poteškoća i održavanju pronaći ćete u servisnom priručniku br. 07900-09410 za XT3, odnosno 07900-09411 za XT4.

Sigurnosne informacije o mazivima i uljima za ovaj alat pronaći ćete u servisnom priručniku br. 07900-09410 za XT3, odnosno 07900-09411 za XT4.

### 5.5 ZAŠTITA OKOLIŠA

Osigurajte sukladnost s odgovarajućim propisima o zbrinjavanju. Zbrinite sve otpadne proizvode na odobreno mjesto za zbrinjavanje otpada ili na drugo mjesto kako ne biste izložili osoblje i okoliš opasnostima.

## 6. IZJAVA O SUKLADNOSTI EZ-a

Mi, **Stanley Engineered Fastening, Stanley House, Works Road, Letchworth Garden City, Hertfordshire, SG6 1JY UJEDINJENO KRALJEVSTVO**, na vlastitu odgovornost izjavljujemo da je proizvod:

**Opis:** Hidro-pneumatski alati ProSet® XT3 i ProSet® XT4 za slijepe zakovice  
**Model:** POP-Avdel® / 76003 i POP-Avdel® / 76004

na koji se ova izjava odnosi usklađen je sa sljedećim harmoniziranim normama:

ISO 12100:2010	EN ISO 3744:2010
EN ISO 11202:2010	EN ISO 11148-1:2011
EN ISO 4413:2010	BS EN 28662-1:1993
EN ISO 4414:2010	EN ISO 20643:2008+A1:2012
EN ISO 28927-5:2009+A1:2015	ES100118 izmjena i dopuna 17:2017

Tehnička dokumentacija sastavljena je u skladu s Dodatkom 1. odjeljkom 1.7.4.1. u skladu sa sljedećom direktivom:

### 2006/42/EC Direktiva o strojevima

(Statutorni instrumenti 2008 br. 1597 - Propisi o isporuci strojeva (sigurnost)).

Dolje potpisani daje izjavu u ime tvrtke STANLEY Engineered Fastening.



**A. K. Seewraj**

**Direktor inženjeringa, Ujedinjeno Kraljevstvo**

Avdel UK Limited, Stanley House, Works Road, Letchworth Garden City, Hertfordshire,  
 SG6 1JY UJEDINJENO KRALJEVSTVO

**Mjesto izdavanja:** Letchworth Garden City, Ujedinjeno Kraljevstvo

**Datum izdavanja:** 01-13-2017

Dolje potpisani odgovoran je za sastavljanje tehničke dokumentacije za proizvode koji se prodaju u Europskoj uniji i ovu izjavu donosi u ime tvrtke Stanley Engineered Fastening.

**Matthias Appel**

**Team Leader Technical Documentation**

Stanley Engineered Fastening, Tucker GmbH, Max-Eyth-Str.1,  
 35394 Gießen, Germany



Ovaj stroj usklađen je  
 s Direktivom o strojevima 2006/42/EC

## 7. UK DEKLARACIJA USKLAĐENOSTI

Mi, **Stanley Engineered Fastening, Stanley House, Works Road, Letchworth Garden City, Hertfordshire, SG6 1JY UJEDINJENO KRALJEVSTVO**, na vlastitu odgovornost izjavljujemo da je proizvod:

**Opis:** Hidro-pneumatski alati ProSet® XT3 i ProSet® XT4 za slijepe zakovice  
**Model:** POP-Avdel® / 76003 i POP-Avdel® / 76004

na koji se ova izjava odnosi usklađen je sa sljedećim navedenim normama:

ISO 12100:2010	EN ISO 3744:2010
EN ISO 11202:2010	EN ISO 11148-1:2011
EN ISO 4413:2010	BS EN 28662-1:1993
EN ISO 4414:2010	EN ISO 20643:2008+A1:2012
EN ISO 28927-5:2009+A1:2015	ES100118 izmjena i dopuna 17:2017

Tehnička dokumentacija sastavljena je u skladu s Propisima o napajanju (sigurnosti) strojeva 2008, S.I. 2008/1597 (u skladu s dopunama i izmjenama).

Dolje potpisani daje izjavu u ime tvrtke STANLEY Engineered Fastening.



**A. K. Seewraj**

**Direktor inženjeringa, Ujedinjeno Kraljevstvo**

Avdel UK Limited, Stanley House, Works Road, Letchworth Garden City, Hertfordshire,  
 SG6 1JY UJEDINJENO KRALJEVSTVO

**Mjesto izdavanja:** Letchworth Garden City, Ujedinjeno Kraljevstvo

**Datum izdavanja:** 01-13-2017



Ovaj stroj je u skladu sa (sigurnosnim) propisima  
 o dobavljanju strojeva iz 2008.  
 S.I. 2008/1597 (u skladu s dopunama i izmjenama)

## 8. ZAŠTITITE SVOJE ULAGANJE!

### 8.1 POP'AVDEL' JAMSTVO ZA ALAT ZA SLIJEPE ZAKOVICE

STANLEY Engineered Fastening jamči da su svi električni alati pažljivo proizvedeni te da će biti bez nedostataka u materijalu i izradi u uvjetima uobičajene upotrebe i servisiranja tijekom razdoblja od jedne (1) godine. Ovo jamstvo primjenjuje se samo na prvu kupnju alata i predviđenu namjenu.

#### **Izuzeća:**

##### **Uobičajeno habanje i trošenje.**

Redovito održavanje, popravak i zamjena dijelova zbog uobičajenog habanja i trošenja nisu obuhvaćeni jamstvom.

##### **Zloupotreba i pogrešna upotreba**

Kvarovi i oštećenja proizašli iz nepravilne upotrebe, pohrane ili zloupotrebe, nezgode ili zanemarivanja, npr. fizička oštećenja, nisu obuhvaćeni jamstvom.

##### **Neovlašteno servisiranje ili modifikacije.**

Kvarovi i oštećenja proizašli iz servisiranja, podešavanja, instalacija, održavanja, izmjena ili modifikacija izvedenih na bilo koji način i od strane bilo koje osobe osim tvrtke STANLEY Engineered Fastening ili njezinih ovlaštenih servisa nisu obuhvaćeni jamstvom.

Ovime se isključuju sva ostala jamstva, izričita ili implicirana, uključujući bilo kakva jamstva utrživosti ili prikladnosti za određenu svrhu.

Ako ovaj alat ne ispunjava uvjete jamstva, odmah ga predajte u najbliži ovlašten servis. Za popis ovlaštenih POP'Avdel' servisa u SAD-u i Kanadi kontaktirajte nas na besplatni telefonski broj (877)364 2781.

Izvan SAD-a i Kanade posjetite naše web-mjesto **www.StanleyEngineeredFastening.com** kako biste saznali najbližu STANLEY Engineered Fastening lokaciju.

STANLEY Engineered Fastening besplatno će zamijeniti sve dijelove za koje utvrdimo da su neispravno zbog nedostataka u materijalu ili izradi te vratiti alat. To su naše jedine obveze u sklopu ovog jamstva. STANLEY Engineered Fastening neće ni u kojem slučaju biti odgovoran ni za kakve posljedice ili posebne štete proizašle iz kupnje ili upotrebe ovog alata.

### 8.2 REGISTRIRAJTE SVOJ ALAT ZA SLIJEPE ZAKOVICE ONLINE

Da biste registrirali svoje jamstvo online, posjetite nas na adresi <http://www.stanleyengineeredfastening.com/popavdel-powertools/warranty-card>. Hvala što ste odabrali alat marke POP'Avdel' tvrtke STANLEY Engineered Fastening.

©2017 Stanley Black & Decker inc.

Minden jog fenntartva.

A megadott információkat lemásolni és/vagy közzétenni semmilyen eszközzel és semmilyen szándékkal nem megengedett a STANLEY Engineered Fastening előzetes írásbeli engedélye nélkül. A megadott információk ezen termék bevezetésének időpontjában ismert adatokon alapulnak.

A STANLEY Engineered Fastening üzletpolitikájának része a folyamatos termékefejlesztés, ezért a termékekben változások történhetnek. A megadott információk csak a STANLEY Engineered Fastening által szállított eredeti állapotú termékre vonatkoznak. A STANLEY Engineered Fastening ezért nem felelős a termék eredeti műszaki jellemzőitől való eltérések okozta károkért.

A rendelkezésre álló adatokat a legnagyobb gondossággal állítottuk össze. A STANLEY Engineered Fastening viszont nem vállal felelősséget az adatok esetleges hibáiért és azok következményeiért. A STANLEY Engineered Fastening nem vállal felelősséget harmadik fél által végzett tevékenységből származó károkért. A STANLEY Engineered Fastening által használt munkanevek, márkanevek, bejegyzett márkanevek stb. nem tekinthetők szabadon használhatónak, azokra is a márkanevek védelmére vonatkozó jogszabályok érvényesek.

## TARTALOM

<b>1.</b>	<b>BIZTONSÁGI DEFINÍCIÓK</b> .....	<b>2</b>
1.1	ÁLTALÁNOS BIZTONSÁGI SZABÁLYOK .....	2
1.2	REPÜLŐ ANYAGDARABOK OKOZTA VESZÉLYEK .....	2
1.3	ÜZEMELTETÉSBŐL EREDŐ VESZÉLYEK .....	3
1.4	ISMÉTLŐDŐ MOZDULATOK OKOZTA VESZÉLYEK .....	3
1.5	TARTOZÉKOK OKOZTA VESZÉLYEK .....	3
1.6	MUNKAHELYI VESZÉLYEK .....	4
1.7	ZAJVESZÉLY .....	4
1.8	REZGÉSVESZÉLY .....	4
1.9	PNEUMATIKUS ELEKTROMOS SZERSZÁMOKRA VONATKOZÓ, KIEGÉSZÍTŐ BIZTONSÁGI UTASÍTÁSOK .....	4
<b>2.</b>	<b>MŰSZAKI JELLEMZŐK</b> .....	<b>5</b>
2.1.	SZERSZÁM MŰSZAKI ADATAI .....	5
2.2	BELÖVÉSRE VONATKOZÓ MŰSZAKI ADATOK .....	6
2.3	A CSOMAG TARTALMA .....	7
2.4	FŐ ALKATRÉSZEK LISTÁJA .....	7
2.5	SZABVÁNYOS ORRSZERELVÉNY .....	7
<b>3.</b>	<b>SZERSZÁM BEÁLLÍTÁSA</b> .....	<b>8</b>
3.1	ORRSZERELVÉNY (lásd a 2. ábrát) .....	8
3.2	LEVEGŐELLÁTÁS (lásd a 3. ábrát) .....	8
3.3	MŰKÖDÉSI ELV .....	9
<b>4.</b>	<b>MŰKÖDÉSI FOLYAMAT</b> .....	<b>10</b>
4.1	A SZERSZÁM MŰKÖDÉSE (lásd az 1., 4., 5., 6. ábrát) .....	10
4.2	A TŰSKEGYŰJTŐ KIÜRÍTÉSE (lásd az 1. ábrát) .....	10
<b>5.</b>	<b>A SZERSZÁM KARBANTARTÁSA</b> .....	<b>11</b>
5.1	KARBANTARTÁS GYAKORISÁGA .....	11
5.2	ORRSZERELVÉNY .....	11
5.3	NAPI KARBANTARTÁS .....	11
5.4	HETI KARBANTARTÁS .....	11
5.5	KÖRNYEZETVÉDELEM .....	11
<b>6.</b>	<b>CE MEGFELELŐSÉGI NYILATKOZAT</b> .....	<b>12</b>
<b>7.</b>	<b>EGYESÜLT KIRÁLYSÁGI MEGFELELŐSÉGI NYILATKOZAT</b> .....	<b>13</b>
<b>8.</b>	<b>VÉDJE BEFEKTETÉSÉT!</b> .....	<b>14</b>
8.1	POP "AVDEL" VAKSZEGECS BELÖVŐ SZERSZÁMHOZ TARTOZÓ GARANCIA .....	14
8.2	ONLINE REGISZTRÁLJA A VAKSZEGECS BELÖVŐ SZERSZÁMJÁT .....	14



A jelen kezelési útmutatót a szerszámot üzembe helyező vagy használó minden személynek el kell olvasnia, különös tekintettel a biztonsági útmutatásokra.



A szerszám használata közben mindig viseljen ütészálló szemvédőt. Minden felhasználáskor meg kell vizsgálni a szükséges védettségi fokot.



Használjon hallásvédőket a munkáltató utasításainak megfelelően, illetve a munkahelyi egészségvédelmi és biztonsági előírások szerint.



A szerszám használata a kezelő kezét veszélyeknek teheti ki, ideértve a zúzódást, az ütéseket, a vágásokat, a kopást és a hőt. A keze védelméhez viseljen megfelelő védőkesztyűt.

## 1. BIZTONSÁGI DEFINÍCIÓK

Az alábbi definíciók az egyes figyelmeztető szavakhoz társított veszély súlyosságára utalnak. Kérjük, olvassa el a kézikönyvet, és figyeljen ezekre a szimbólumokra.



**VESZÉLY:** Olyan közvetlen veszélyt jelez, amely halálos vagy súlyos sérülést okoz.



**FIGYELMEZTETÉS:** Olyan potenciális veszélyt jelez, amely halálos vagy súlyos sérülést okozhat.



**VIGYÁZAT:** Potenciális veszélyt jelez, amely könnyű vagy közepesen súlyos sérülést okozhat.

**VIGYÁZAT:** Szimbólum nélkül olyan potenciálisan veszélyes helyzetet jelöl, amely anyagi károkkal járhat.

**A termék szakszerűtlen használata vagy karbantartása súlyos sérülést és anyagi károkat okozhat. A készülék használata előtt figyelmesen olvasson el minden figyelmeztetést és használati utasítást. Elektromos szerszámok használatakor a személyi sérülés kockázatának csökkentése érdekében be kell tartani az alapvető biztonsági óvintézkedéseket.**

### ŐRIZZE MEG A FIGYELMEZTETÉSEKET ÉS A HASZNÁLATI ÚTMUTATÓT KÉSŐBBI HASZNÁLATRA

#### 1.1 ÁLTALÁNOS BIZTONSÁGI SZABÁLYOK

- Több veszély fennállása esetén olvassa el és értse meg a biztonsági utasításokat, mielőtt a szerszámot felszereli, üzemelteti, azon javítási, karbantartási munkálatot végez vagy kicseréli tartozékait, illetve mielőtt a annak közelében dolgozna. Ennek elmulasztása súlyos testi sérüléshez vezethet.
- Kizárólag szakképzett kezelők végezhetik a szerszám összeszerelését, beállítását vagy használatát.
- A STANLEY Engineered Fastening vakszegecs belövő szerszám gép csak rendeltetésének megfelelően használható.
- Csak a gyártó által ajánlott alkatrészeket, rögzítőelemeket és tartozékokat használja.
- NÉ végezzen módosítást a szerszámon. A módosítások csökkenthetik a biztonsági intézkedések hatékonyságát és növelhetik a kezelő esetlegesen érintő veszélyeket. A szerszám bármilyen átalakítása esetén minden felelősség a vásárlót terheli, ez egyben érvényteleníti minden vonatkozó jótállást.
- A biztonsági utasításokat adja át a kezelőnek.
- Ne használja a szerszámot, ha az sérült.
- Használat előtt ellenőrizze, hogy a mozgó alkatrészek nem állították-e el vagy nem szorulnak-e, nincsenek-e a szerszámon törött alkatrészek, nem áll-e fenn a szerszám működését befolyásoló más körülmény. Ha sérült a szerszám, használat előtt javíttassa meg. Használat előtt a beállító kulcsot vagy csavarkulcsot el kell távolítani.
- A szerszámokat rendszeresen meg kell vizsgálni annak ellenőrzése érdekében, hogy az ISO 11148 irányelv ezen részében előírt besorolások és jelölések olvashatóan meg vannak-e jelölve a szerszámon. A munkáltató/felhasználó köteles felvenni a gyártóval a kapcsolatot, amennyiben cserecímkeket kellene beszerezni.
- A szerszámot mindig üzembiztos állapotban kell tartani, rendszeres időközönként a működését és épségét szakemberrel át kell vizsgáltatni. Szétszerelését csak szakember végezheti. A karbantartási útmutatások előzetes ismerete nélkül ne szerelje szét a szerszámot.

#### 1.2 REPÜLŐ ANYAGDARABOK OKOZTA VESZÉLYEK

- A szerszám karbantartása, az orr rész, ill. a tartozékok levétele, felhelyezése vagy beállítása előtt mindig le kell választani a levegőellátást.

- Ügyeljen rá, hogy a munkadarab vagy a tartozékok hibája, illetve akár maga a felhelyezett szerszám az anyagok nagy sebességű kilövellését idézheti elő.
- A szerszám használata közben mindig viseljen ütészálló szemvédőt. Minden felhasználáskor meg kell vizsgálni a szükséges védettség fokát.
- A másokat érintő kockázatokat szintén ilyenkor kell felmérni.
- Ellenőrizze, hogy a munkadarab megfelelően rögzítve van-e.
- Ellenőrizze, hogy a rögzítőszerszám és/vagy a szegecstüske kilökődése elleni védelemre szolgáló eszközök megfelelőek-e és működnek-e.
- NE használja a szerszámot, ha nincs felszerelve szegecstüske-gyűjtő.
- Figyelmeztesse a környezetet arra, hogy a szerszám elejénél előfordulhat, hogy a szegecstüskék erőteljesen kilökődnek.
- Működő szerszámot NE irányítson más(ok) felé.

### **1.3 ÜZEMELTETÉSBŐL EREDŐ VESZÉLYEK**

- A szerszám használata a kezelő kezét veszélyeknek teheti ki, ideértve a zúzódást, az ütéseket, a vágásokat, a kopást és a hőt. A keze védelméhez viseljen megfelelő védőkesztyűt.
- A kezelőknek és a karbantartó személyzetnek fizikailag képeseknek kell lenniük a szerszám tömegének, súlyának és teljesítményének kezelésére.
- Tartsa megfelelően a szerszámot; álljon készen a megszokott vagy hirtelen mozdulatok ellensúlyozására, mindkét keze álljon rendelkezésre.
- A fogantyúkat szárazon, tisztán, olajtól és zsírtól mentesen tartsa.
- Testhelyezete mindig legyen kiegyensúlyozott, és rögzítse lábait a szerszám használata során.
- Engedje el az indító és leállító készüléket, ha a levegőellátás megszakad.
- Kizárólag a gyártó által javasolt kenőanyagokat használja.
- Kerülje a hidraulika folyadékkal való érintkezést. Ha mégis érintkezik a folyadékkal, alaposan mossa le azt, hogy elkerülje a kiütések kialakulásának kockázatát.
- A hidraulikaolajok és kenőanyagok anyagbiztonsági adatlapjainak adatait elkérheti az eszköz beszállítójától.
- Kerülje a nem megfelelő testhelyzeteket, mivel ezek valószínűleg nem teszik lehetővé a szerszám normál vagy váratlan mozgásának ellensúlyozását.
- Ha a szerszám rögzítve van egy felfüggesztő-szerkezeten, ellenőrizze, hogy a rögzítés biztonságos-e.
- Ügyeljen a zúzódás vagy becsípődés veszélyeire, ha az orrszerelvény nincs felszerelve.
- TILOS a szerszámot az orr-rész burkolatának levételével működtetni.
- A munka folytatása előtt elegendő szabad hely álljon a kezelő rendelkezésére.
- Amikor a szerszámot egyik helyről a másikra viszi, kezét tartsa távol az indítókapcsolótól, hogy ne induljon be véletlenül a szerszám.
- NE ejtse le, ne használja kalapácsként.
- Járjon el körültekintően, hogy a keletkező szegecstüske ne okozzon veszélyes helyzetet.
- A szegecstüske-gyűjtőt mindig ki kell üríteni, amikor már félig tele van.

### **1.4 ISMÉTLŐDŐ MOZDULATOK OKOZTA VESZÉLYEK**

- A szerszám használatakor a kezelő kényelmetlenséget tapasztalhat a kéz, a kar, a vállak, a nyak környékén vagy a test más részein.
- A szerszám használata közben a kezelőnek kényelmes testtartást kell felvennie, miközben biztonságos kell tartania lábait, és kerülnie kell a kényelmetlen vagy kiegyensúlyozatlan testhelyzeteket. Hosszabb feladatok esetén a kezelőnek helyzetet kell változtatnia, ez segíthet a diszkomfort- és fáradtságérzetten.
- Ha a kezelő olyan tüneteket tapasztal, mint tartós vagy ismétlődő diszkomfort, fájdalom, lüktetés, sajgás, bizsergés, zsibbadás, égő érzés vagy merevség, ezeket a figyelmeztető jeleket nem szabad figyelmen kívül hagyni. A kezelőnek ezt jeleznie kell a munkáltató felé, és egyeztetnie kell egészségügyi szakemberrel.

### **1.5 TARTOZÉKOK OKOZTA VESZÉLYEK**

- Az orrszerelvény, ill. a tartozékok felhelyezése vagy eltávolítása előtt válassza le a szerszámot a levegőellátásról.
- Kizárólag a szerszám gyártója által javasolt méretű és típusú tartozékokat és fogyóeszközöket használjon; Ne használjon más típusú vagy méretű tartozékokat vagy fogyóeszközöket.



## 1.6 MUNKAHELYI VESZÉLYEK

- A munkahelyi sérülések legfőbb okai a megcsúszások, a botlások és az esések. Vegye figyelembe a szerszám használatából eredően csúszóssá váló felületeket, valamint a légvezeték vagy a hidraulikus tömlő által okozott botlásveszélyeket.
- Óvatosan járjon el ismeretlen környezetben. Felmerülhetnek nem ismert veszélyek, például elektromos vagy más közművezetésekből eredően.
- A szerszám nem alkalmas robbanásveszélyes környezetben való használatra, és nincs szigetelve az elektromos árammal való érintkezés ellen.
- Ügyeljen arra, hogy ne legyenek olyan elektromos kábelek, gázvezetékek stb., amelyek veszélyt okozhatnak, ha a szerszám használatából eredően megrongálódnak.
- Megfelelő öltözetet viseljen. Ne hordjon ékszert vagy laza ruházatot munkavégzés közben. Haját, ruháját és kesztyűjét tartsa távol a mozgó alkatrészekről. A laza ruházat, az ékszerek vagy a hosszú haj beleakadhatnak a mozgó alkatrészekbe.
- Járjon el körültekintően, hogy a keletkező szegecstüske ne okozzon veszélyes helyzetet.

## 1.7 ZAJVESZÉLY

- A magas zajszint hatása tartós hallásvesztést és egyéb problémákat okozhat, például fülzúgást (csengés, zümmögés, füttyülés vagy zúgás a fülben). Ezért elengedhetetlen a kockázatértékelés és a veszélyek megfelelő ellenőrzése.
- A kockázat csökkentésére szolgáló megfelelő ellenőrző intézkedések magukban foglalhatják például a csillapító anyagokat, hogy megakadályozzák a munkadarabok „csengését”.
- Használjon hallásvédőket a munkáltató utasításainak megfelelően, illetve a munkahelyi egészségvédelmi és biztonsági előírások szerint.
- A szerszám működtetését és karbantartását a használati utasításban foglaltak szerint végezze, hogy elkerülje a zajszint szükségtelen növekedését.
- A szerszám használatá közben ügyeljen rá, hogy a szegecstüske-gyűjtőben lévő hangtompító a helyén legyen, és megfelelően működjön.

## 1.8 REZGÉSVESZÉLY

- A rezgésnek való kitettség káros lehet az idegek és a kezek, a karok vérellátására.
- Ha hideg körülmények között dolgozik, viseljen meleg ruhát, és tartsa a kezét melegen és szárazon.
- Ha zsibbadást, bizsergést, fájdalmat vagy fehéredést tapasztal az ujjain vagy kezén, hagyja abba az eszköz használatát, jelezze munkáltatójának és konzultáljon orvosával.
- Amennyiben megoldható, támassza alá a szerszám súlyát egy állványban, feszítőben vagy kiegyenlítőben, így könnyebb lehet megfogni az eszközt annak megtartásához.

## 1.9 PNEUMATIKUS ELEKTROMOS SZERSZÁMOKRA VONATKOZÓ, KIEGÉSZÍTŐ BIZTONSÁGI UTASÍTÁSOK

- Az üzemi tápnyomásnak nem szabad 7 bar (100 PSI) felett lennie.
- A nyomás alatt lévő levegő súlyos sérüléseket okozhat.
- Működésben levő szerszámot soha ne hagyjon felügyelet nélkül. Ha a szerszám nincs használatban, akkor tartozékcsere vagy javítási munkálatok elvégzése előtt válassza le a légtömlőt.
- NE állítsa a szegecstüske-gyűjtő elszívó nyílását a gépkezelő vagy más személyek irányába. A levegőt soha ne irányítsa saját maga vagy mások felé.
- A visszacsapódó tömlők súlyos sérüléseket okozhatnak. Mindig ellenőrizze, hogy nincs-e sérült vagy laza tömlő, illetve szerelvény a rendszerben.
- Használat előtt a levegővezetékek épségét meg kell vizsgálni, minden csatlakozásnak biztonságosnak kell lennie. Ne tegyen nehéz tárgyakat a tömlőkre. Az éles ütődés okozta belső sérülés miatt a tömlő idő előtt tönkremehet.
- A hideg levegőt a kezeitől elfelé irányítsa.
- Ha univerzális csavarkötéseket (körmös csatlakozókat) használ, akkor rögzítőcsapokat kell felszerelni, és whipcheck biztonsági kábeleket kell használni a tömlő-szerszám vagy a tömlő-tömlő csatlakoztatásának esetleges meghibásodása ellen.
- NE emelje meg a belövő szerszámot a tömlőnél fogva. Mindig a behúzó szerszám fogantyúját használja.
- A szellőző nyílásokat nem szabad akadályozni, nem szabad letakarni.
- A szerszám hidraulikus rendszerébe piszok, idegen anyag nem kerülhet, ez üzemi hibát okoz a gépben.

**A STANLEY Engineered Fastening egyik irányelve a folyamatos termékfejlesztés, és fenntartjuk annak jogát, hogy bármelyik termékünk műszaki jellemzőit előzetes értesítés nélkül is módosíthassuk.**

## 2. MŰSZAKI JELLEMZŐK

A ProSet® XT3 és XT4 modellek olyan hidropneumatikus szerszámok, amelyek feladata a Stanley Engineered Fastening vakszegecsek nagy sebességen történő belövése. A szerszámok a szerszám elhelyezkedésétől függetlenül a szegecsek megtartására, illetve a keletkező szegecstüskék hatékony begyűjtésére vákuumos rendszerrel vannak felszerelve.

A megfelelő orrszerelvénnyel párosítva a ProSet® XT3 és XT4 Ø 4,0 mm és Ø 6,4 mm közötti méretű vakszegecsek belövésére használható. A 10. oldalon található táblázatban megtalálhatja a használható szegecsek listáját.

A 2. és 4. oldalon található biztonsági utasításokat mindig be kell tartani.

**NE** használja nedves környezetben, illetve gyúlékony folyadékok vagy gázok jelenlétében.

### 2.1. SZERSZÁM MŰSZAKI ADATAI

	XT3		XT4	
<b>Húzóerő:</b> 5,5 bar nyomáson	17,0 kN	3822 fonterő	23,0 kN	5193 fonterő
<b>Levegőellátás:</b> Min. és max. érték	5,0 - 7,0 bar	72,5 - 101,5 font-erő/hüvelyk <sup>2</sup>	5,0 - 7,0 bar	72,5 - 101,5 font-erő/hüvelyk <sup>2</sup>
<b>Olajnyomás:</b> Húzás 5,5 bar nyomáson	290 bar	4206 fonterő/hüvelyk <sup>2</sup>	395 bar	5729 fonterő/hüvelyk <sup>2</sup>
<b>Löklet:</b> Minimális dugattyúlöket	26,0 mm	1,02 hüvelyk	18,0 mm	0,91 hüvelyk
<b>Súly:</b> Orrszerelvénnyel együtt	2,24 kg	4,94 lb	2,26 kg	4,98 lb
<b>Súly:</b> orrszervény nélkül	2,00 kg	4,41 lb	2,02 kg	4,41 lb
<b>Szabad levegő mennyisége:</b> 5,5 bar nyomáson	6,3 liter	384,4 in <sup>3</sup>	6,3 liter	384,4 in <sup>3</sup>
<b>Ciklusidő:</b> Megközelítőleg	0,9 másodperc		1,0 másodperc	

Az ISO 15744 és az ISO 3744 zajvizsgálati kód szerint meghatározott zajértékek.		XT3	XT4
A-súlyozott hangteljesítményszint dB (A), $L_{WA}$	Bizonytalansági zaj: $k_{WA} = 3,0$ dB(A)	90,3 dB(A)	89,7 dB(A)
A-súlyozott emissziós hangnyomás szint a munkállomáson dB(A), $L_{pA}$	Bizonytalansági zaj: $k_{pA} = 3,0$ dB(A)	79,3 dB(A)	78,7 dB(A)
C-súlyozott csúcskibocsátási hangnyomásszintje dB(C), $L_{pC}$ , csúcs	Bizonytalansági zaj: $k_{pC} = 3,0$ dB(A)	82,7 dB(C)	81,5 dB(A)

Az ISO 20643 és az ISO 5349 zajvizsgálati kód szerint meghatározott vibrációs értékek.		XT3	XT4
Rezgéskibocsátási szint, $a_{hd}$ :		1,41 m/s <sup>2</sup>	1,80 m/s <sup>2</sup>
Mérési bizonytalanság (rezgés): k		0,70 m/s <sup>2</sup>	0,90 m/s <sup>2</sup>
Bejelentett vibrációs kibocsátási értékek az EN 12096 szerint			

## 2.2 BELÖVÉSRE VONATKOZÓ MŰSZAKI ADATOK

Szegecs típusa	Szegecs átmérője (mm) [hüvelyk]										
	4 [5/32]	4,3	4,8 [3/16]	6	6,4 [1/4]	7	8	9	10	11	12
Nyitott végű	●*		●**		●						
Zárt végű	●*		●**		●						
HR	●*		●		●						
HS					● (3)						
Multi-Grip	●*		●**		●						
TL	●*		●								
T-Rivet (Emhart)	●*		●		●						
Self-Pluggger	●*		●		●						
Ultra Grip (UG) (NPR)					⊗ (3)						
CD					● (3)						
Avex®	● (2)		● (2)		● (2)						
Stavex®	● (2)		● (2)		● (1)(3)						
Avinox®/ Avibulb®	● (2)		● (2)	● (2)							
Avinox®XT / Avibulb®XT					● (1)(3)						
LSR/Bulbex®	● (2)		● (2)								
T-Lok®		● (2)	● (2)								
Avdel® SR	● (2)		● (2)		● (2)						
Hemlok®					● (1)(3)						
Interlock®			⊗ (2)		⊗ (1)(3)						
Maxlok®			● (3)		⊗ (3)						
Monobolt®			⊗ (1)(2)		⊗ (1)(3)						
Avtainer®									⊗ (1)(3)		
Avseal® (STD)				● (1)(3)		● (1)(3)	● (1)(3)	● (1)(3)	⊗ (1)(3)		
Avseal® (alacsony nyomás)							● (1)(3)	● (1)(3)	● (1)(3)	⊗ (1)(3)	⊗ (1)(3)
Q Rivet	● (2)		● (2)		● (2)						
T Rivet (Avdel)			● (1)(2)		● (1)(2)						
Avdelmate®			● (2)		● (2)						
Klamp-Tite® BAPK			⊗ (2)		⊗ (2)						
Klamp-Tite® BAPKTR			⊗ (1)(2)		⊗ (1)(2)						
Avdelok®			● (3)		⊗ (3)						

\* Használjon PRG540-46 szorítópófékat és FAN276-064 pofanyomó szerelvényt

\*\* Használjon PRG540-46 szorítópófékat.

● XT3 és XT4 szerszámhoz is használható

⊗ XT3 szerszámhoz használható

⊗ XT4 szerszámhoz használható

(1) Nem szabványos orr-rész szükséges

(2) Másik típusú orrszerelvény is kapható

(3) Nem szabványos orrszerelvény szükséges.

A kompatibilis orrszerelvények listáját megtalálja szegecstípusokra lebontva összeszerelési és karbantartási utasítások kíséretében a ProSet® orrszerelvény 07900-09414 számú használati útmutatójában.

### 2.3 A CSOMAG TARTALMA

- 1 db ProSet® XT3 vagy XT4 vakszegecs szerszám.
- 1 készlet szabványos\* orrszerelvény és orr-rész 4,8 mm [3/16"] és 6,4mm [1/4"] méretű szegecsekhez.
- 1 nyomtatott használati útmutató - régiótól függően.

### 2.4 FŐ ALKATRÉSZEK LISTÁJA

Lásd az 1. és 2. ábrát és az alábbi táblázatot.

Tétel	Alkatrész-szám	Leírás	Menny.
1	76003-15000*	Szabványos orrszerelvény	1
2	76003-02022	Függesztő horog	1
3	76003-05200	Szegecstüske-gyűjtő	1
4	07001-00405	Olajdugó	1
5	07003-00194	Tömítés	1
6	76003-02008	Ravasz	1
7	76003-03700	Be-/kikapcsoló szelep	1
8	71210-02103	Záróanya	1

### 2.5 SZABVÁNYOS ORRSZERELVÉNY

Lásd a 2. ábrát és az alábbi táblázatot.

Tétel	Alkatrész-szám	Leírás	Menny.
1c	PRN614	Orr-rész - 4,8 mm [3/16"] (felszerelve)	1
1d	PRN811	Orr-rész - 6,4 mm [1/4"]	1
1e	76003-15001	Orrtok	1
1f	07003-00067	O-gyűrű	1
1g	DPN276-001	Szorítópofa-vezető	1
1h	PRG540-44	Szorítópofák	1 készlet
1i	DPN276-006	Pofanyomó	1
1j	DPN900-060	O-gyűrű	1
1k	DPN901-019	A pofanyomó rugója	1
1l	76003-15002	Húzófej	1
1m	76003-15004	A szorítópofa-vezető zárja	1
1n	DPN901-020	Rugó	1
1o	76003-15003	Húzófej adapter	1
1p	07003-00277	O-gyűrű	1

További orrszerelvényeket a ProSet® orrszerelvény 07900-09414 számú használati útmutatójában vagy a [www.stanleyengineeredfastening.com/resource-center/document-library](http://www.stanleyengineeredfastening.com/resource-center/document-library) oldalon találhat.

A szerszámtartozékok teljes listáját megtalálja a ProSet 07900-09415 számú tartozékok kézikönyvében.

\* A Proset XT3 alapszerszám (76003-01000) és a Proset XT4 alapszerszám (76004-01000) esetében az orrszerelvény nem biztosított.

### 3. SZERSZÁM BEÁLLÍTÁSA

**FONTOS - HASZNÁLAT ELŐTT FIGYELMESEN OLVASSA EL A 6. ÉS 8. OLDALON A BIZTONSÁGI UTASÍTÁSOKAT.**

**FONTOS - AZ ORRSZERELVÉNY FEL- ÉS LESZERELÉSE ELŐTT A LEVEGŐELLÁTÁST LE KELL KAPCSOLNI VAGY LE KELL CSATLAKOZTATNI.**

#### 3.1 ORRSZERELVÉNY (lásd a 2. ábrát)

A félkörrel szedett tételszámok az 1. és 2. ábrán és a 11. oldalon lévő táblázatokban található alkatrészekre utalnak. A teljes szerszámot összeszerelve szállítjuk 4,8 mm [3/16"] méretű szegecsekhez való orr-résszel. A 6,4 mm [1/4"] szegecsekhez egy kiegészítő orrszerelvény külön biztosított.

#### Az orr-rész felszerelése

- A levegőellátást le kell csatlakoztatni.
- Válassza ki a szegecshez a megfelelő orr-részt.
- Távolítsa el az orr burkolatát **(1e)**, az orr-részt és **(1a,b,c, vagy d)**, az O-gyűrűt **(1f)** beleértve.
- Vegye le az orr-részt **(1a,b,c vagy d)** az orr burkolatáról **(1e)**
- Válassza ki a megfelelő méretű orr-részt és szerelje fel az előzőekhez képest fordított sorrendben.

#### A teljes orrszerelvény eltávolítása

- A levegőellátást le kell csatlakoztatni.
- Távolítsa el az orr burkolatát **(1e)**, (az orr-részt és **(1a, b, c, vagy d)**, az O-gyűrűt **(1f)** beleértve) a szerszámról.
- Húzza vissza a szorítópofa-vezető zárját **(1m)** a rugóhoz **(1n)**, majd távolítsa el a szorítópofa-vezetőt **(1g)**.
- Vegye ki a szorítópofákat **(1h)** a vezetőből **(1g)**.
- Vegye ki a pofanyomót **(1i)**, az O-gyűrűt **(1j)** és a pofanyomó rugóját **(1k)** a húzófejből **(1l)**.
- Vegye ki a húzófej-szerelvényt **(1q)** a dugattyúból csavarkulcs segítségével.

#### A teljes orrszerelvény felszerelése

- A levegőellátást le kell csatlakoztatni
- A kopott, sérült alkatrészeket ki kell cserélni.
- Tisztítsa meg a szorítópofákat **(1h)** és ellenőrizze, hogy kopottak-e.
- Ellenőrizze, hogy a pofanyomó **(1i)** vagy a pofanyomó rugója **(k)** nem törött-e.
- A szorítópofákat vékonyan kenje be **(1h)** molibdén tartalmú lítiumos zsírral.
- Tegye a szorítópofákat **(1h)** a szorítópofa-vezetőbe **(1g)**.
- Helyezze a pofanyomót **(1i)** és az O-gyűrűt **(1j)** a húzófejbe **(1l)**.
- Húzza vissza a szorítópofa-vezető zárját **(1m)** és a vezetőt teljesen csavarozza oda a **(1g)** húzófejhez **(1l)**.
- Oldja ki a szorítópofa-vezető zárját **(1m)**, majd részben csavarozza ki a szorítópofa-vezetőt **(1g)** ameddig a szorítópofa-vezető zárjának **(1m)** foga be nem kattan a vezetőn található következő nyílásba **(1g)**.
- Tegye az orr burkolatát **(1e)** a szorítópofa-vezetőre **(1g)** és teljesen húzza meg a szerszámban.

Az orrszerelvényeket hetente kell karbantartani. Tartson készleten cserealkatrészeket az orrszerelvény belső alkatrészeiből és az orrhegyből, mivel ezeket rendszeresen cserélni kell.

#### 3.2 LEVEGŐELLÁTÁS (lásd a 3. ábrát)

Alkatrészek

- Zárócsap (szűrő/szabályozó, kenőegységek karbantartásakor használatos)
- Nyomásszabályozó és szűrő (napi leeresztés)
- Fő ellátás leeresztő pontja
- Fő ellátás levélteli pontja

- Minden szerszámmal használt sűrített levegő legkisebb nyomása 5,0 bar.
- Nyomásszabályozót és automata olajozó/szűrő rendszert kell alkalmazni a levegőellátás fő vezetékén a szerszámtól 3 méteres távolságon belül (lásd 3. ábra).
- A levegőtömlőkben a legkisebb névleges üzemi nyomás értéknek a rendszerben keletkező legnagyobb nyomás 150%-ának vagy 10 barnak kell lennie, a kettő közül a nagyobbaknak.

- A légtömítőnek olajállóknak kell lennie, kopásálló külsővel és páncélozottknak kell lennie, ha az üzemi körülmények a tömlő sérülését okozhatják.
- Minden légtömítőnek legalább 6,4 milliméter furatátmérőjűnek KELL lennie.
- Szivárgás ellenőrzése. A sérült tömlőket, csatlakozókat újakra kell cserélni.
- Ha nincs szűrő a nyomásszabályozón, akkor a levegővezetékét légtelenítéssel tisztítsa meg a felgyülemllett pizskától, víztől, mielőtt a tömlőt a szerszámmra csatlakoztatná.

### 3.3 MŰKÖDÉSI ELV

**VIGYÁZAT - A SZERELŐSZERSZÁM MEGFELELŐ MŰKÖDÉSÉHEZ FONTOS A MEGFELELŐ TÁPELLÁTÁSI NYOMÁS. HA NEM MEGFELELŐ A NYOMÁS, AZ SZEMÉLYI SÉRÜLÉST VAGY A BERENDEZÉS KÁROSODÁSÁT OKOZHATJA.**

**A TÁPNYOMÁS NEM HALADHATJA MEG A SZERSZÁM MŰSZAKI ADATAIBAN MEGADOTT ÉRTÉKET.**

A félkövérrel szedett tételszámok az 1. és 2. ábrán és a 11. oldalon lévő táblázatokban található alkatrészekre utalnak.

Ha pneumatikus tömlőt csatlakoztat a belső szerszámmra, a húzó és visszatérő ciklusokat a fogantyúban található ravasz **(6)** meghúzásával és elengedésével szabályozhatja.

- A levegőellátás le van csatlakoztatva.
- A 10. és 12. oldalon leírtak szerint csatlakoztassa a megfelelő orrszerelvényt.
- Csatlakoztassa a pneumatikus tömlőt a levegő ki-/bekapcsoló szelepéhez **(7)**.
- Csatlakoztassa a pneumatikus tömlő fő levegőellátását.
- Kapcsolja be a fő ellátást a szerszámmhoz a levegő ki-/bekapcsoló szelep **(7)** felfelé csúsztatásával.
- A levegő most eljut a szerszámmhoz, és a vákuum rendszer működni kezd.
- Húzza meg és engedje el a ravaszt **(6)** néhányszor teljesen, hogy ellenőrizze a szerszám működését. Figyelje meg a szerszám működését. Ellenőrizze, hogy nincs-e folyadék- és/vagy levegőszivárgás valahol.

## 4. MŰKÖDÉSI FOLYAMAT

### 4.1 A SZERSZÁM MŰKÖDÉSE (lásd az 1., 4., 5., 6. ábrát)

#### Vakszegecs behelyezése

- Ellenőrizze, hogy a szegecstüske-gyűjtő (3) fel van-e szerelve.
- Helyezze a szegecstüskét az orr-részbe (1a, b, c vagy d). A vákuum rendszer a szegecset az orr-részben tartja.
- Igazítsa be a szerszámot.
- Ellenőrizze, hogy az orrszerelvény jó szögben (90°) legyen a munkadarabhoz képest.
- Húzza be és tartsa behúzva a ravaszt (6) addig, amíg a szegecs teljes mértékben be nem nyomódik a munkadarabba.
- Ha a szegecs teljesen be van nyomva, engedje el a ravaszt (6). A szerszám automatikusan visszaáll a kiindulási helyzetébe. A szegecstüske automatikusan beleesik a szegecstüske-gyűjtőbe (3) a vákuum rendszer segítségével.
- A szegecstüske-gyűjtőt ki kell üríteni, mielőtt félig megtelne.

**VIGYÁZAT - NE ERŐLTESSE A SZEGECSTÜSKE VAGY A SZEGECS SZÁRÁNAK BEHELYEZÉSÉT. EZ KÁROSÍTHATJA A SZERSZÁMOT ÉS/VAGY A MUNKADARABOT.**

### 4.2 A TŰSKEGYŰJTŐ KIÜRÍTÉSE (lásd az 1. ábrát)

#### VIGYÁZAT - NE HASZNÁLJA A SZERSZÁMOT, AMIKOR A SZEGECSTÜSKE-GYŰJTŐ NINCS A HELYÉN.

- A szerszám gyorscsatlakozóval/kioldóval ellátott szegecstüske-gyűjtővel van felszerelve (3).
- A 60°-os forgás eltávolítja vagy kicseréli a szegecstüske-gyűjtőt.
- A szegecstüske-gyűjtő (3) szerszámról való eltávolításakor a vákuumos szegecsmegtartó és szegecstüske-elszívó rendszer automatikusan KIKAPCSOL.
- A szegecstüske-gyűjtő visszahelyezésekor a vákuum-rendszer BEKAPCSOL.

## 5. A SZERSZÁM KARBANTARTÁSA

### 5.1 KARBANTARTÁS GYAKORISÁGA

A szerszám karbantartását csak szakember végezheti. Évente vagy 500000 ciklusonként (amelyik korábban bekövetkezik), teljes átvizsgálás szükséges.



CSATLAKOZTASSA LE A LEVEGŐELLÁTÁST



**VIGYÁZAT** - A szerszám nemfémes részeit soha ne tisztítsa oldószerrel vagy más erős vegyszerrel. Ezek a vegyszerek meggyengíthetik az alkatrészek anyagát.

### 5.2 ORRSZERELVÉNY

Az orrszerelvényt hetente vagy 5000 ciklus után kell karbantartani Tartson készleten cserealkatrészeket az orrszerelvény belső alkatrészeiből és az orr-részből, mivel ezeket rendszeresen cserélni kell.

- Csatlakoztassa le a levegőellátást.
- Távolítsa el a teljes orrszerelvényt a 3.1. fejezetben leírt eljárást követve
- Ellenőrizzen minden alkatrészt. A kopott, sérült alkatrészeket újakra kell cserélni.
- A szorítópfák kopottságát **(1h)** különös figyelemmel ellenőrizze.
- Tisztítsa meg az alkatrészeket és molibdén tartalmú lítiumos zsírral (07992-00020) kenje be a szorítópfákat **(1h)** és a szorítópofa-vezető kúpos furatát **(1g)**.
- Szerelje a 3.1. fejezetben található felszerelési utasítás szerint.

### 5.3 NAPI KARBANTARTÁS

- Használat előtt ellenőrizze a szerszámot, a tömlőt és a csatlakozásokat a levegő szivárgás és az olajszivárgás szempontjából. Ha sérült, távolítsa el a szerszámot a használatból, és cserélje ki az érintett tételeket új alkatrészekre.
- Ha nincs szűrő a nyomásszabályozón, akkor a levegővezetékét légtelenítéssel tisztítsa meg a felgyülemllett pizoktól, víztől, mielőtt a tömlőt a szerszámra csatlakoztatná. Ha van szűrő, mossa ki.
- Ellenőrizze, hogy az orrszerelvény **(1)** megfelel-e az adott szegecs belövéséhez, és hogy megfelelően van-e felszerelve.
- Ellenőrizze, hogy a szerszám lökete megfelel-e a minimális előírásnak (lásd: 2.1).
- A szegecstüske-gyűjtőt **(3)** fel kell szerelni a szerszámra.
- Ellenőrizze, hogy a légkamra megfelelően rögzítve van-e a szerszámhoz.

### 5.4 HETI KARBANTARTÁS

- Ellenőrizze a szerszámot, a tömlőt és a csatlakozásokat a levegő szivárgás és az olajszivárgás szempontjából. Ha sérült, távolítsa el a szerszámot a használatból, és cserélje ki az érintett tételeket új alkatrészekre. XT3 szerszám esetén a 07900-09410 számú, míg XT4 esetén az 07900-09411 számú szervizelési kézikönyvben található a szervizelésre, hibaelhárításra és karbantartásra vonatkozó utasításokat.

XT3 szerszám esetén a 07900-09410 számú, míg XT4 esetén az 07900-09411 számú szervizelési kézikönyvben található a szerszám esetén használt kenőanyagokkal kapcsolatos biztonsági adatokat.

### 5.5 KÖRNYEZETVÉDELEM

Ügyeljen rá, hogy az alkalmazandó hulladékkezelési előírások szerint járjon el. Az összes hulladékterméket engedélyezett hulladékkezelő létesítményben vagy telephelyen ártalmatlanítsa, hogy a személyzet és a környezet ne legyen veszélynek kitéve.



## 6. EK MEGFELELŐSÉGI NYILATKOZAT

A **Stanley Engineered Fastening, Stanley House, Works Road, Letchworth Garden City, Hertfordshire, SG6 1JY EGYESÜLT KIRÁLYSÁG** saját kizárólagos felelősségére kijelenti, hogy a termék:

**Leírás:** ProSet® XT3 és ProSet® XT4 hidro-pneumatikus szerszámok vakszegecsekhez.  
**Típus:** POP-Avdel® / 76003 és POP-Avdel® / 76004

amelyre ez a nyilatkozat vonatkozik, megfelel a következő harmonizált szabványoknak:

ISO 12100:2010	EN ISO 3744:2010
EN ISO 11202:2010	EN ISO 11148-1:2011
EN ISO 4413:2010	BS EN 28662-1:1993
EN ISO 4414:2010	EN ISO 20643:2008+A1:2012
EN ISO 28927-5:2009+A1:2015	ES100118-átd. 17:2017

A műszaki dokumentáció összeállítása az 1. melléklet 1.7.4.1 szakasza szerint, az alábbi irányelvnek megfelelően történt:

### **2006/42/EK, a gépekre vonatkozó irányelv**

(A 2008. évi 1597. jogszabály a gépek biztonságáról (The Supply of Machinery (Safety) Regulations 2008)).

Alulírott ezúton nyilatkozik a STANLEY Engineered Fastening képviselőjében.



**A. K. Seewraj**

**Mérnöki igazgató, Egyesült Királyság**

Avdel UK Limited, Stanley House, Works Road, Letchworth Garden City, Hertfordshire,  
SG6 1JY EGYESÜLT KIRÁLYSÁG

**A kiállítás helye:** Letchworth Garden City, Egyesült Királyság

**Kiállítás ideje:** 01-13-2017

Az aláírás tulajdonosa az Európai Unióban értékesített termékek műszaki adatainak összeállításáért felelős személy; nyilatkozatát a Stanley Engineered Fastening vállalat nevében adja.

**Matthias Appel**

**Műszaki dokumentációs csoport vezetője**

Stanley Engineered Fastening, Tucker GmbH, Max-Eyth-Str.1,  
35394 Gießen, Németország



**Ez a gép megfelel a gépekre vonatkozó  
2006/42/EK irányelvnek**

## 7. EGYESÜLT KIRÁLYSÁGI MEGFELELŐSÉGI NYILATKOZAT

A Stanley Engineered Fastening, Stanley House, Works Road, Letchworth Garden City, Hertfordshire, SG6 1JY EGYESÜLT KIRÁLYSÁG saját kizárólagos felelősségére kijelenti, hogy a termék:

**Leírás:** ProSet® XT3 és ProSet® XT4 hidro-pneumatikus szerszámok vakszegecsekhez.  
**Típus:** POP-Avdel® / 76003 és POP-Avdel® / 76004

amelyre ez a nyilatkozat vonatkozik, megfelel a következő kijelölt szabványoknak:

ISO 12100:2010	EN ISO 3744:2010
EN ISO 11202:2010	EN ISO 11148-1:2011
EN ISO 4413:2010	BS EN 28662-1:1993
EN ISO 4414:2010	EN ISO 20643:2008+A1:2012
EN ISO 28927-5:2009+A1:2015	ES100118-átd. 17:2017

A műszaki dokumentáció összeállítása a 2008. évi 2008/1597 Supply of Machinery (Safety) gépek biztonságára vonatkozó rendelkezéseknek megfelelően történt.

Alulírott ezúton nyilatkozik a STANLEY Engineered Fastening képviselőjében.



**A. K. Seewraj**

**Mérnöki igazgató, Egyesült Királyság**

Avdel UK Limited, Stanley House, Works Road, Letchworth Garden City, Hertfordshire,  
SG6 1JY EGYESÜLT KIRÁLYSÁG

**A kiállítás helye:** Letchworth Garden City, Egyesült Királyság  
**Kiállítás ideje:** 01-13-2017



Ez a szerszám megfelel  
Gépellátás (biztonság) 2008. évi szabályzata,  
S.I. 2008/1597 (módosítva)

## 8. VÉDJE BEFEKTETÉSÉT!

### 8.1 POP'AVDEL' VAKSZEGECS BELÖVŐ SZERSZÁMHOZ TARTOZÓ GARANCIA

A STANLEY Engineered Fastening garantálja, hogy minden általa gyártott szerszám gép normál használat és karbantartás mellett gyártási- és anyaghibától mentesen fog működni, és a szerszámhoz egy (1) év garanciát biztosít.

Ez a garancia a szerszám első vásárlója általi normál használatra vonatkozik.

#### **Nem tartozik a garancia hatálya alá:**

##### **Természetes elhasználódás és kopás.**

Az időszakos karbantartásra, javításokra, valamint a természetes kopás és elhasználódás miatt szükségessé váló alkatrészcserekre nem terjed ki a garancia.

##### **Gondatlan és rendeltetésellenes használat.**

Helytelen kezelésből, tárolásból, nem rendeltetészerű vagy gondatlan használatból, balesetből vagy hanyagságból származó anyagi károokra a garancia nem terjed ki.

##### **Illetéktelen javítás vagy átalakítás.**

Nem a STANLEY Engineered Fastening személyzete vagy megbízott szervizei által végzett javításból, tesztbeállításból, karbantartásból, átalakításból vagy módosításból eredő meghibásodások és károk nem tartoznak a garancia hatálya alá.

Minden egyéb, többek között a termék eladhatóságára vagy bizonyos célra való alkalmasságára vonatkozó bármilyen kifejezett vagy beleértett garancia lehetősége kizárt.

Amennyiben a szerszámmal kapcsolatos garanciális igénye merül fel, juttassa el a szerszámot a legközelebbi, gyárunk által megbízott szervizbe. A POP'Avdel' által megbízott, az USA-ban és Kanadában működő szerviz-központjaink listájának ügyében keressen minket ingyenesen hívható telefonszámunkon: (877)364 2781.

Az USA-n és Kanadán kívül az Önhöz legközelebbi STANLEY Engineered Fastening képviselőt az alábbi honlapon találhatja:

**[www.StanleyEngineeredFastening.com](http://www.StanleyEngineeredFastening.com).**

A STANLEY Engineered Fastening díjmentesen kicseréli az általunk anyag- vagy gyártási hibásnak nyilvánított alkatrész(ek)e)t, és a szerszámot bérmentesítve visszaküldi. Ez a jelen garanciához kapcsolódó egyetlen kötelezettségünk.

A STANLEY Engineered Fastening semmilyen körülmények között nem felelős a jelen szerszám megvásárlásának vagy használatának okán bekövetkező semmilyen járulékos vagy speciális kárért.

### 8.2 ONLINE REGISZTRÁLJA A VAKSZEGECS BELÖVŐ SZERSZÁMJÁT.

Garanciájának regisztrálásához látogasson el honlapunkra:

<http://www.stanleyengineeredfastening.com/popavdel-powertools/warranty-card>.

Köszönjük, hogy a STANLEY Engineered Fastening vállalat POP'Avdel® márkájú szerszámát választotta.

© „Stanley Black & Decker inc.“, 2017.

Visos teisės saugomos.

Pateiktos informacijos negalima jokiais būdais ir priemonėmis (elektroninėmis ar mechaninėmis) atkurti ir (arba) viešinti, prieš tai negavus aiškaus rašytinio „STANLEY Engineered Fastening“ sutikimo. Pateikta informacija yra pagrįsta šio įrenginio pristatymo metu žinomais duomenimis „STANLEY Engineered Fastening“ laikosi nuolatinio gaminių tobulinimo politikos, todėl jos gaminiai gali būti modifikuojami. Pateikta informacija yra taikytina tokiam gaminiui, kokį jį pristatė „STANLEY Engineered Fastening“. Todėl „STANLEY Engineered Fastening“ neprisima atsakomybės už jokią žalą, patirtą pakeitęs originalias gaminio specifikacijas.

Esama informacija parengta itin kruopščiai. Visgi „STANLEY Engineered Fastening“ neprisima jokios atsakomybės nei dėl informacijos klaidų, nei dėl jų padarinių. „STANLEY Engineered Fastening“ neprisima atsakomybės už žalą, patirtą dėl trečiųjų šalių vykdytos veiklos. „STANLEY Engineered Fastening“ naudojami praktiniai pavadinimai, prekių pavadinimai, registruotieji prekių ženklai ir kt. neturi būti traktuojami kaip nemokami; jiems taikomi atitinkami prekių ženklų apsaugos teisės aktai.

## TURINYS

<b>1.</b>	<b>SAUGOS APIBRĖŽTYS</b> .....	<b>2</b>
1.1	BENDROSIOS SAUGOS TAIŠYKLĖS .....	2
1.2	ATŠOKOS PAVOJAI .....	2
1.3	EKSPLOATACIJOS PAVOJAI .....	3
1.4	KARTOTINIŲ JUDESIŲ PAVOJAI .....	3
1.5	PRIEDŲ PAVOJAI .....	3
1.6	PAVOJAI DARBO VIETOS .....	4
1.7	TRIUKŠMO PAVOJAI .....	4
1.8	VIBRACIJOS PAVOJAI .....	4
1.9	PAPILDOMOS PNEMATINIŲ ELEKTRINIŲ ĮRANKIŲ SAUGOS INSTRUKCIJOS .....	4
<b>2.</b>	<b>SPECIFIKACIJOS</b> .....	<b>5</b>
2.1.	ĮRANKIO SPECIFIKACIJOS .....	5
2.2	KNIEDIJIMO SPECIFIKACIJOS .....	6
2.3	PAKUOTĖS TURINYS .....	7
2.4	PAGRINDINIŲ DALIŲ SĄRAŠAS .....	7
2.5	STANDARTINIS ANTGALIO BLOKAS .....	7
<b>3.</b>	<b>ĮRANKIO SĄRANKA</b> .....	<b>8</b>
3.1	ANTGALIO BLOKAS (žr. 2 pav.) .....	8
3.2	ORO TIEKIMAS (žr. 3 pav.) .....	8
3.3	VEIKIMO PRINCIPAS .....	9
<b>4.</b>	<b>DARBO EIGA</b> .....	<b>10</b>
4.1	ĮRANKIO NAUDOJIMAS (žr. 1, 4, 5, 6 pav.) .....	10
4.2	ŠERDŽIŲ RINKTUVO IŠTUŠTINIMAS (ŽR. 1 PAV.) .....	10
<b>5.</b>	<b>ĮRANKIO PRIEŽIŪRA</b> .....	<b>11</b>
5.1	TECHNINĖS PRIEŽIŪROS DARBŲ DAŽNUMAS .....	11
5.2	ANTGALIO BLOKAS .....	11
5.3	KASDIENĖ PRIEŽIŪRA .....	11
5.4	KASSAVAITINĖ PRIEŽIŪRA .....	11
5.5	APLINKOSAUGA .....	11
<b>6.</b>	<b>ES ATITIKTIES DEKLARACIJA</b> .....	<b>12</b>
<b>7.</b>	<b>JK ATITIKTIES DEKLARACIJA</b> .....	<b>13</b>
<b>8.</b>	<b>APSAUGOKITE SAVO INVESTICIJĄ!</b> .....	<b>14</b>
8.1	„POP’AVDEL™“ KNIEDYTUVO GARANTIJA .....	14
8.2	UŽREGISTRUOKITE SAVO KNIEDYTUVĄ INTERNETU .....	14



Šį naudotojo vadovą privalo perskaityti visi, kurie montuoja šį įrankį arba juo naudojasi, atkreipdami ypatingą dėmesį į toliau pateiktas saugos taisykles.



Visada nešiokite smūgiams atsparias akių apsaugos priemones. Kiekvieną kartą prieš naudojantis reikia įvertinti reikiamos apsaugos lygį.



Klausos apsaugos priemonėmis naudokitės pagal darbdavio nurodymus ir tiek, kiek reikalaujama profesinės sveikatos apsaugos ir saugos reglamentuose.



Dirbdamas įrankiu, operatorius gali susižaloti rankas, pvz., susitraiškinti, susitrenkti, įsipjauti ir įsibrėžti bei nusideginti. Rankų apsaugai mūvėkite reikiamas pirštines.

## 1. SAUGOS APIBRĖŽTYS

Toliau pateiktos apibrėžtys apibūdina kiekvieno signalinio žodelio griežtumą. Perskaitykite šį naudotojo vadovą ir atkreipkite dėmesį į šiuos simbolius.



**PAVOJUS!** Reiškia pavojingą situaciją, kurios neišvengus bus rimtai arba net mirtinai susižalota.



**ĮSPĖJIMAS!** Reiškia galimai pavojingą situaciją, kurios neišvengus galima žūti arba sunkiai susižaloti.



**ATSARGIAI!** Reiškia galimai pavojingą situaciją, kurios neišvengus galima nesunkiai arba vidutiniškai susižaloti.

**ATSARGIAI!** Be saugos perspėjimo simbolio reiškia galimai pavojingą situaciją, kurios neišvengus galima apgadinti turtą.

**Netinkamai naudojant arba prižiūrint šį gaminį, galima sunkiai susižaloti arba sugadinti turtą.**

**Prieš pradėdami naudotis šiuo įrenginiu, perskaitykite ir išsiaiškinkite visus įspėjimus ir eksploatacijos instrukcijas. Naudodamiesi elektriniais įrankiais, laikykitės pagrindinių saugos atsargumo priemonių, kad sumažintumėte pavojų susižaloti.**

### ĮŠSAUGOKITE VISUS ĮSPĖJIMUS IR NURODYMUS, KAD GALĖTUMĖTE PASINAUDOTI ATEITYJE

#### 1.1 BENDROSIOS SAUGOS TAISYKLĖS

- Kad išvengtumėte daugelio pavojų, prieš montuodami, eksploatuodami, remontuodami, atlikdami techninę apžiūrą, keisdami priedus arba dirbdami šalia prietaiso, perskaitykite saugos instrukcijas ir jas išsiaiškinkite. To nepadarę rizikuojate rimtai susižaloti.
- Įrankį sumontuoti, reguliuoti ir naudoti gali tik kvalifikuoti ir išmokyti operatoriai.
- NENAUDOKITE ne pagal paskirtį – tik „STANLEY Engineered Fastening“ įleidžiamosioms kniedinėms veržlėms įkniedyti.
- Naudokite tik gamintojo rekomenduojamas detales, tvirtinimo dalis ir priedus.
- NEMODIFIKUOKITE įrankio. Modifikacijos gali sumažinti saugos priemonių veiksmingumą bei padidinti riziką operatoriui. Už bet kokią kliento atliktą įrankio konstrukcijos pakeitimą atsako išskirtinai klientas ir tokiu atveju bet kokia garantija nebegalioja.
- Neišmeskite saugos instrukcijų; atiduokite jas operatoriui.
- Nenaudokite įrankio, jei pastarasis buvo apgadintas.
- Prieš naudojimą patikrinkite, ar nėra išsiderinusių arba stringančių judamųjų dalių, įtrūkusių dalių ir bet kokių kitų gedimų, kurie turi įtakos įrankių veikimui. Jeigu yra gedimų, prieš pradėdant elektrinį įrankį naudoti, jį privaloma sutaisyti. Prieš naudojimą pašalinkite visus reguliavimo raktus arba veržliarakčius.
- Įrankis turi būti periodiškai tikrinamas siekiant užtikrinti, kad įrankio klasė ir ženkliniai, reikalaujami pagal ISO 11148 standartą, yra įskaitomai matomi ant įrankio. Norėdams gauti ženklų etiketes, kai būtina, darbdavys / naudotojas turi kreiptis į gamintoją.
- Įrankis visada privalo būti tinkamai prižiūrimas, kad juo būtų saugu naudotis; kvalifikuoti specialistai privalo reguliariai jį tikrinti, ar nėra gedimų ir ar jis tinkamai veikia. Visus ardymo darbus privalo atlikti tik kvalifikuoti specialistai. Neardykite šio įrankio, prieš tai neperskaitę techninės priežiūros instrukcijų.

#### 1.2 ATŠOKOS PAVOJAI

- Prieš pradėdami bet kokius techninės priežiūros, antgalio mazgo ar priedų reguliavimo, montavimo ar nuėmimo darbus, atjunkite oro tiekimą nuo įrankio.

- Nepamirškite, kad sujudėjus ruošiniui arba priedui, arba net iš po paties įtvirtinto įrankio dideliu greičiu gali atšokti skeveldros.
- Visada nešiokite smūgiams atsparias akių apsaugos priemones. Kiekvieną kartą prieš naudojantis reikia įvertinti reikiamos apsaugos lygį.
- Kiekvieną kartą taip pat būtina įvertinti riziką kitiems asmenims.
- Užtikrinkite, kad ruošinys būtų saugiai užfiksuotas.
- Įsitikinkite, kad vietoje yra veiksmingos apsaugos priemonės, saugančios nuo tvirtinimo elemento ir (arba) šerdies atšokos.
- NENAUDOKITE įrankio be įdėto šerdžių rinktuvo.
- Įspėkite kitus apie stiprios šerdies atšokos nuo įrankio priekio tikimybę.
- NENAUDOKITE įrankio, nukreipto į kitą žmogų (kitus žmones).

### **1.3 EKSPLOATACIJOS PAVOJAI**

- Dirbdamas įrankiu, operatorius gali susižaloti rankas, pvz., susitraiškyti, susitrenkti, įsipjauti ir įsibrėžti bei nusideginti. Rankų apsaugai mėvėkite reikiamas pirštines.
- Operatoriai ir techninės priežiūros personalas turi būti fiziškai stiprūs, kad galėtų dirbti dideliu, sunkiu ir galingu įrankiu.
- Laikykite įrankį tinkamai, būkite pasiruošę suvaldyti įprastinį arba staigų judesį abiem rankomis.
- Įrankio rankenos turi būti sausas, švarios, netepaluotos ir nealyvuotos.
- Dirbdami įrankiu, nepraraskite pusiausvyros ir tvirtai stovėkite ant kojų.
- Jei nutrūktų oro tiekimas, atleiskite paleidimo ir stabdymo įtaisą.
- Naudokite tik gamintojo rekomenduojamas tepimo priemones.
- Venkite sąlyčio su hidrauliniu skysčiu. Sąlyčio atveju nedelsdami nusiprauskite vandeniu, kad išvengtumėte galimų odos bėrimų.
- Pareikalavus įrankio tiekėjas gali pateikti visų hidraulinių alyvų ir tepimo priemonių saugos duomenų lapus.
- Venkite nepatogios padėties, nes tikėtina, kad tokioje padėtyje galite nesuvaldyti įrankio įprasto arba netikėto judesio.
- Jei įrankis užfiksuotas ant pakabos įtaisą, užtikrinkite, kad jis būtų sumontuotas saugiai.
- Jeigu nesumontavote antgalio bloko, saugokitės prispaudimo arba sužnybimo.
- NENAUDOKITE įrankio su nuimtu antgalio korpusu.
- Prieš pradėdami darbą, operatoriaus rankos turi būti nustatytos tinkamu atstumu.
- Pernešdami įrankį iš vienos vietos į kitą, rankas laikykite atokiai nuo gaiduko, kad netyčia neįjungtumėte įrankio.
- NENUMESKITE šio įrankio ir nenaudokite jo vietoj plaktuko.
- Privaloma pasirūpinti, kad panaudotos šerdys nekeltų pavojaus.
- Šerdžių rinktuvą reikia ištuštinti, kai jis bus maždaug pusiau pilnas.

### **1.4 KARTOTINIŲ JUDESIŲ PAVOJAI**

- Dirbdamas įrankiu, operatorius gali pajusti rankų, plaštakų, pečių, kaklo arba kitų kūno dalių diskomfortą.
- Naudodamasis įrankiu, operatorius turi prisitaikyti patogioje padėtyje, kad jaustųsi tvirtai stovįs ant kojų ir vengtų nepatogios arba išbalansuojančios laikysenos. Jei užduotis trunka ilgesnį laiką, operatorius turi keisti laikyseną; tai padės jam išvengti diskomforto ir nuovargio.
- Jei operatorius jaučia simptomus, tokius kaip nuolatinis arba atsikartojantis diskomfortas, skausmas, tvinkčiojimas, gėla, dygčiojimas, tirpimas, deginimo pojūtis arba sustingimas, šių ženklų nereikėtų nepaisyti. Operatorius apie tai turi informuoti darbdavį ir kreiptis į gydytoją.

### **1.5 PRIEDŲ PAVOJAI**

- Prieš montuodami arba nuimdami antgalio mazgą arba priedą, atjunkite įrankio oro tiekimą.
- Naudokite tik tokio dydžio ir tipo priedus ir eksploatacines medžiagas, kurias rekomenduoja įrankio gamintojas. Nenaudokite kitokio dydžio ir tipo priedų arba eksploatacinių medžiagų.

### 1.6 PAVOJAI DARBO VIETOS

- Svarbiausios susižalojimo darbo vietoje priežastys yra paslydimas, užkliuvimas ir pargriuvimas. Saugokitės dėl įrankio naudojimo atsiradusių slidžių paviršių. Taip pat žiūrėkite, kad neužkliūtumėte už oro linijos arba hidraulinės žarnos.
- Nepažįstamoje aplinkoje elkitės atsargiai. Ten gali būti paslėptų pavojų, pvz., elektros kabelių ar kitų komunalinių linijų.
- Įrankis nėra skirtas naudoti potencialiai sprogioje aplinkoje bei neturi izoliacijos apsaugai nuo kontakto su elektros energija.
- Įsitikinkite, kad šalia nėra elektros laidų, dujų vamzdžių ir kitko, kas gali sukelti pavojų pažeidus naudojant įrankį.
- Dėvėkite tinkamą aprangą. Nedėvėkite plačių drabužių arba papuošalų. Plaukus, drabužius ir pirštines laikykite atokiau nuo judančių dalių. Judančios dalys gali įtraukti laisvus drabužius, papuošalus ar ilgus plaukus.
- Privaloma pasirūpinti, kad panaudotos šerdys nekeltų pavojaus.

### 1.7 TRIUKŠMO PAVOJAI

- Dėl ilgalaikio didelio triukšmo poveikio gali visam laikui, nepagydomai sutrikti klausa bei atsirasti kitų problemų, kaip antai tinitas (skambėjimas, zvimbimas, švilpimas arba spengimas ausyse). Dėl šios priežasties būtina įvertinti pavojus ir imtis reikiamų priemonių.
- Tarp tinkamų priemonių pavojui sumažinti – amortizacinės medžiagos, neleidžiančios ruošiniui „zvimbti“.
- Klausos apsaugos priemonėmis naudokitės pagal darbdavio nurodymus ir tiek, kiek reikalaujama profesinės sveikatos apsaugos ir saugos reglamentuose.
- Dirbkite ir laikykite įrankį taip, kaip rekomenduojama naudotojo vadove, kad išvengtumėte bereikalingo triukšmo lygio padidėjimo.
- Dirbant įrankiu, privalo užtikrinti, kad slopintuvus bei šerdžių rinktuvus būtų sumontuoti ir tinkamai veikti.

### 1.8 VIBRACIJOS PAVOJAI

- Vibracija gali smarkiai pažeisti nervus ir kraujotaką rankose bei plaštakose.
- Dirbdami šaltu oru, dėvėkite šiltus drabužius, o rankas laikykite šiltai ir sausai.
- Pajutę kurios nors kūno dalies tirpimą, dygčiojimą, skausmą arba pabalus pirštų odai, nustokite dirbti įrankiu, informuokite savo darbdavį bei kreipkitės į gydytoją.
- Jei įmanoma, atremkite įrankį į stovą, įtempiklį arba balansyrą, nes taip bus lengviau įrankį valdyti.

### 1.9 PAPILDOMOS PNEUMATINIŲ ELEKTRINIŲ ĮRANKIŲ SAUGOS INSTRUKCIJOS

- Darbinis tiekiamo oro slėgis turi būti ne didesnis nei 7 barai (100 PSI).
- Suslėgtas oras gali rimtai sužaloti.
- Niekada nepalikite veikiančio įrankio be priežiūros. Kai įrankis nenaudojamas, prieš keisdami priedus arba vykdydami remonto darbus, atjunkite oro žarną.
- NENUKREIPKITE šerdžių rinktuvo oro išleidimo angos į save arba kitus žmones. Niekada nenukreipkite oro srovės į save ar kitus žmones.
- Čaižios žarnos gali rimtai sužaloti. Visada patikrinkite, ar nepažeistos ir neatsilaisvinusios žarnos bei jungiamosios detalės.
- Prieš naudojimą patikrinkite, ar nepažeistos oro linijos; visos jungtys privalo būti tvirtai užveržtos. Nemėtykite ant žarnų sunkių daiktų. Smarkus smūgis gali sukelti vidinį pažeidimą ir žarna gali pirma laiko trūkti.
- Nukreipkite šaltą orą nuo rankų.
- Jei naudojamos universalios susukamos movos (krumpliotos movos), apsaugai nuo galimo žarnos atsikabinimo nuo įrankio arba nuo kitos žarnos, įmontuojamos fiksuojamosios šerdys ir naudojami kontrolinės saugos kabeliai.
- NEKELKITE kniedytuvo už žarnos. Visuomet imkite už kniedytuvo rankenos.
- Neužkimškite ir neuždenkite ventilacijos angų.
- Saugokite įrankio hidraulinę sistemą, kad į ją nepatektų nešvarumų ir pašalinių medžiagų, nes kitaip sutriks įrankio veikimas.

**„STANLEY Engineered Fastening“ siekia nuolat plėtoti ir tobulinti gaminius. Todėl mes pasiliegame teise be išankstinio įspėjimo keisti bet kurio gaminio specifikacijas.**

## 2. SPECIFIKACIJOS

„ProSet“ XT3 ir XT4 – tai hidropneumatiniai įrankiai, suprojektuoti „Stanley“ pagamintoms įleidžiamosioms kniedinėms veržlėms dideliu greičiu įrengti. Įrankiuose naudojama vakuumo sistema kniedėms laikyti, jame sklandžiai surenkamos panaudotos šerdys neatsižvelgiant į įrankio orientaciją.

Naudojant atitinkamus antgalius, „ProSet“ įrankiais XT3 ir XT4 galima įkniedyti nuo Ø4,0 mm iki Ø6,4 mm skersmens įleidžiamąsias kniedines veržles. Visų kniedinių veržlių, kurias galima kniedyti, sąrašą rasite 10 puslapyje pateiktoje lentelėje.

Visada privaloma vadovautis saugos įspėjimais, pateiktais 2 ir 4 puslapiuose.

**NEAUKOKITE** drėgnoje aplinkoje, šalia liepsniųjų skysčių ar dujų.

### 2.1. ĮRANKIO SPECIFIKACIJOS

	XT3		XT4	
<b>Traukos jėga:</b> esant 5,5 baro	17,0 kN	3 822 lbf	23,0 kN	5 193 lbf
<b>Tiekiamo oro slėgis:</b> nuo min. iki maks.	5,0–7,0 bar	72,5–101,5 lbf/in <sup>2</sup>	5,0–7,0 bar	72,5–101,5 lbf/in <sup>2</sup>
<b>Alyvos slėgis:</b> traukimas esant 5,5 baro	290 bar	4 206 lbf/in <sup>2</sup>	395 bar	5 729 lbf/in <sup>2</sup>
<b>Eiga:</b> minimali stūmoklio eiga	26,0 mm	1,02 col.	18,0 mm	0,91 col.
<b>Svoris:</b> su antgalio bloku	2,24 kg	4,94 sv.	2,26 kg	4,98 sv.
<b>Svoris:</b> be antgalio bloko	2,00 kg	4,41 sv.	2,02 kg	4,41 sv.
<b>Nesuslėgto oro tūris:</b> esant 5,5 baro	6,3 l	384,4 in <sup>3</sup>	6,3 l	384,4 in <sup>3</sup>
<b>Ciklo trukmė:</b> apytikslė	0,9 sek.		1,0 sek.	

Triukšmo vertės nustatomos pagal ISO 15744 ir ISO 3744.		XT3	XT4
A svertinis garso galios lygis dB(A), $L_{WA}$	Triukšmo paklaida: $k_{WA} = 3,0$ dB(A)	90,3 dB(A)	89,7 dB(A)
A svertinis garso emisijos slėgio lygis darbo vietoje dB(A), $L_{pA}$	Triukšmo paklaida: $k_{pA} = 3,0$ dB(A)	79,3 dB(A)	78,7 dB(A)
C svertinis pikinis garso emisijos slėgio lygis dB(C), $L_{pC}$ pikinis	Triukšmo paklaida: $k_{pC} = 3,0$ dB(C)	82,7 dB(C)	81,5 dB(A)

Vibracijos vertės nustatomos pagal vibracijos testo kodą ISO 20643 ir ISO 5349.		XT3	XT4
Vibracijos emisijos lygis, $a_{hd}$ :		1,41 m/s <sup>2</sup>	1,80 m/s <sup>2</sup>
Vibracijos paklaida: k		0,70 m/s <sup>2</sup>	0,90 m/s <sup>2</sup>
Deklaruotosios vibracijos emisijos vertės pagal EN 12096			



## 2.2 KNIEDIJIMO SPECIFIKACIJOS

Kniedinės veržlės tipas	Kniedinės veržlės skersmuo, mm (coliais)										
	4 (5/32)	4,3	4,8 (3/16)	6	6,4 (1/4)	7	8	9	10	11	12
Atviru galu	●*		●**		●						
Uždaru galu	●*		●**		●						
HR	●*		●		●						
HS					● (3)						
„Multi-Grip“	●*		●**		●						
TL	●*		●								
„T-Rivet“ („Emhart“)	●*		●		●						
„Self-Plugger“	●*		●		●						
„Ultra Grip“ (UG) (NPR)					⊗ (3)						
CD					● (3)						
„Avex“ <sup>o</sup>	● (2)		● (2)		● (2)						
„Stavex“ <sup>o</sup>	● (2)		● (2)		● (1)(3)						
„Avinox“ <sup>o</sup> / „Avibulb“ <sup>o</sup>	● (2)		● (2)	● (2)							
„Avinox XT“ / „Avibulb XT“					● (1)(3)						
LSR / „Bulbex“ <sup>o</sup>	● (2)		● (2)								
„T-Lok“ <sup>o</sup>		● (2)	● (2)								
„Avdel“ <sup>o</sup> SR	● (2)		● (2)		● (2)						
„Hemlok“ <sup>o</sup>					● (1)(3)						
„Interlock“ <sup>o</sup>			⊗ (2)		⊗ (1)(3)						
„Maxlok“ <sup>o</sup>			● (3)		⊗ (3)						
„Monobolt“ <sup>o</sup>			⊗ (1)(2)		⊗ (1)(3)						
„Avtainer“ <sup>o</sup>									⊗ (1)(3)		
„Avseal“ (STD)				● (1)(3)		● (1)(3)	● (1)(3)	● (1)(3)	⊗ (1)(3)		
„Avseal“ (žemas slėgis)							● (1)(3)	● (1)(3)	● (1)(3)	⊗ (1)(3)	⊗ (1)(3)
„Q Rivet“	● (2)		● (2)		● (2)						
„T Rivet“ („Avdel“)			● (1)(2)		● (1)(2)						
„Avdelmate“ <sup>o</sup>			● (2)		● (2)						
„Klamp-Tite“ BAPK <sup>o</sup>			⊗ (2)		⊗ (2)						
„Klamp-Tite“ BAPKTR <sup>o</sup>			⊗ (1)(2)		⊗ (1)(2)						
„Avdelok“ <sup>o</sup>			● (3)		⊗ (3)						

\* Naudokite PRG540-46 žiaunas ir FAN276-064 žiaunų stūmiklio bloką

\*\* Naudokite PRG540-46 žiaunas.

● Taikytina abiem įrankiams – ir XT3, ir XT4

⊗ Taikytina tik įrankiui XT3

⊗ Taikytina tik įrankiui XT4

(1) Privaloma naudoti nestandartinį antgalį

(2) Yra alternatyvaus tipo antgalio blokas

(3) Privaloma naudoti nestandartinį antgalio bloką.

Visą suderinamų antgalių blokų, skirtų kiekvieno tipo kniedinėms veržlėms, sąrašą kartu su surinkimo ir techninės priežiūros instrukcijomis, rasite „ProSet“ antgalių blokų vadove 07900-09414.

### 2.3 PAKUOTĖS TURINYS

- 1 „ProSet“ kniedytuvus XT3 arba XT4.
- 1 komplektas standartinio\* antgalio bloko ir antgalių, skirtų 4,8 mm (3/16 col.) ir 6,4 mm (1/4 col.) kniedinėms veržlėms.
- 1 spausdinta naudojimo instrukcija, atsižvelgiant į regioną.

### 2.4 PAGRINDINIŲ DALIŲ SĄRAŠAS

Žr. 1 ir 2 pav. bei toliau pateiktą lentelę.

Elementas	Dalies numeris	Aprašas	Kiekis
1	76003-15000*	Standartinis antgalio blokas	1
2	76003-02022	Pakabinimo kabliukas	1
3	76003-05200	Šerdžių rinktuvas	1
4	07001-00405	Alyvos kamštis	1
5	07003-00194	Sandariklis	1
6	76003-02008	Gaidukas	1
7	76003-03700	Ijungimo / išjungimo vožtuvas	1
8	71210-02103	Antveržlė	1

### 2.5 STANDARTINIS ANTGALIO BLOKAS

Žr. 2 pav. ir toliau pateiktą lentelę.

Elementas	Dalies numeris	Aprašas	Kiekis
1c	PRN614	Antgalis – 4,8 mm (3/16 col.) (sumontuotas)	1
1d	PRN811	Antgalis – 6,4 mm (1/4 col.)	1
1e	76003-15001	Antgalio aptaisas	1
1f	07003-00067	Sandarinimo žiedas	1
1g	DPN276-001	Žiaunų kreiptuvas	1
1h	PRG540-44	Žiaunos	1 komplektas
1i	DPN276-006	Žiaunų stūmiklis	1
1j	DPN900-060	Sandarinimo žiedas	1
1k	DPN901-019	Žiaunų stūmiklio spyruoklė	1
1l	76003-15002	Traukiamoji galvutė	1
1m	76003-15004	Žiaunos kreiptuvo užraktas	1
1n	DPN901-020	Spyruoklė	1
1o	76003-15003	Traukiamosios galvutės adapteris	1
1p	07003-00277	Sandarinimo žiedas	1

Apie papildomus antgalių blokus skaitykite „ProSet“ antgalių blokų vadove 07900-09414 arba apsilankykite [www.stanleyengineeredfastening.com/resource-center/document-library](http://www.stanleyengineeredfastening.com/resource-center/document-library)

Visą įrankio priedų sąrašą rasite „ProSet“ priedų vadove 07900-09415.

\* Antgalio blokas tiekiamas be bazinio įrankio „Proset XT3“ (76003-01000) ir bazinio įrankio „Proset XT4“ (76004-01000).

### 3. ĮRANKIO SĄRANKA

**SVARBU – PRIEŠ NAUDOJIMĄ ATIDŽIAI PERSKAITYKITE SAUGOS ĮSPĖJIMUS, ESANČIUS 6 IR 8 PUSLAPIUOSE.**

**SVARBU – PRIEŠ MONTUOJANT ARBA NUIMANT ANTGALIO MAZGĄ, PRIVALOMA ATJUNGTI ORO TIEKIMĄ.**

#### 3.1 ANTGALIO BLOKAS (žr. 2 pav.)

Pusjuodžiu šriftu paryškintus dalių numerius rasite 1 ir 2 pav. bei 11 puslapyje pateiktose 1 ir 2 lentelėse. Surinktas įrankis bus pateiktas su iš anksto sumontuotu antgalio bloku, skirtu 4,8 mm (3/16 col.) kniedinėms veržlėms kalti.

Vienas papildomas antgalis 6,4 mm (1/4 col.) kniedinėms veržlėms įsigyjamas atskirai.

#### Antgalio montavimas

- Oro tiekimo sistema privalo būti atjungta.
- Pasirinkite kniedinei veržlei, kurią montuosite, tinkamą antgalį.
- Nuimkite antgalio aptaisą (**1e**), įskaitant antgalį (**1a, b, c arba d**) ir sandarinimo žiedą (**1f**)
- Išimkite antgalį (**1a, b, c arba d**) iš antgalio aptaiso (**1e**)
- Pasirinkite tinkamo dydžio antgalį ir sumontuokite, atlikdami veiksmus atvirkštine eilės tvarka.

#### Surinkto antgalio bloko nuėmimas

- Oro tiekimo sistema privalo būti atjungta.
- Nuimkite nuo įrankio antgalio aptaisą (**1e**), įskaitant antgalį (**1a, b, c arba d**) ir sandarinimo žiedą (**1f**).
- Prispauskite žiaunos kreiptuvo fiksatorių (**1m**) prie spyruoklės (**1n**) ir nuimkite žiaunų kreiptuvą (**1g**).
- Ištraukite žiaunas (**1h**) iš žiaunų kreiptuvo (**1g**).
- Nuimkite žiaunos stūmiklį (**1i**), sandarinimo žiedą (**1j**) ir žiaunos stūmiklio spyruoklę (**1k**) nuo traukiamosios galvutės (**1l**).
- Veržliarakčiu atsukite traukiamosios galvutės bloką (**1q**) nuo įrankio stūmoklio

#### Surinkto antgalio bloko montavimas

- Oro tiekimo sistema privalo būti atjungta
- Pakeiskite visas nusidėvėjusias ar apgadintas dalis.
- Išvalykite žiaunas (**1h**) ir patikrinkite, ar jos nusidėvėjusios.
- Patikrinkite, ar nedeformuotas žiaunos stūmiklis (**1i**) arba žiaunos stūmiklio spyruoklė (**k**).
- Negausiai sutepkite žiaunas (**1h**) molibdeno-ličio tepalu.
- Įkiškite žiaunas (**1h**) į žiaunų kreiptuvą (**1g**).
- Įtaisykite žiaunos stūmiklį (**1i**) ir sandarinimo žiedą (**1j**) į traukiamąją galvutę (**1l**).
- Atitraukite žiaunos kreiptuvo fiksatorių (**1m**) ir iki galo užsukite žiaunos kreiptuvą (**1g**) ant traukiamosios galvutės (**1l**).
- Atleiskite žiaunos kreiptuvo fiksatorių (**1m**), tada iš dalies atsukite žiaunos kreiptuvą (**1g**), kol žiaunos kreiptuvo fiksatoriaus (**1m**) dantukas užsifiksuos artimiausioje žiaunos kreiptuvo (**1g**) angoje.
- Dėkite antgalio aptaisą (**1e**) ant žiaunos kreiptuvo (**1g**) ir iki galo užsukite jį ant įrankio.

Antgalių mazgai turi būti prižiūrimi kas savaitę. Įsigykite visų atsarginių antgalio mazgo vidinių dalių ir antgalių, nes juos reikės reguliariai keisti.

#### 3.2 ORO TIEKIMAS (žr. 3 pav.)

Komponentai

- Atjungimo sklendė (naudojama atliekant filtro / reguliatoriaus arba tepimo bloką techninę priežiūrą)
- Slėgio reguliatorius ir filtras (kasdieniam oro išleidimui)
- Pagrindinės tiekimo linijos oro išleidimo taškas
- Oro pašalinimo iš pagrindinės tiekimo linijos taškas

- Visuose įrankiuose naudojamas suslėgtasis oras, kurio minimalus slėgis yra 5,0 barai.
- Oro tiekimo sistemoje, ne daugiau kaip 3 metrų atstumu nuo įrankio, privaloma įrengti slėgio reguliatorius ir automatinės tepimo / filtravimo sistemas (žr. 3 pav.).

- Oro žarnos susidaro minimalus darbinis efektyvusis slėgis, kuris yra lygus 150 % maksimalaus sistemoje sudaromo slėgio arba 10 barų (kuris aukštesnis).
- Oro žarnos privalo būti atsparios alyvai, jų išorė turi būti atspari nudilimui ir sustiprinta, nes sudėtingomis darbo sąlygomis žarnos gali būti pažeistos.
- Visos žarnos PRIVALO būti mažiausiai 6,4 milimetro vidinio skersmens.
- Patikrinkite, ar nėra oro nuotėkių. Jeigu žarnos ir movos būtų pažeistos, jas privaloma pakeisti naujomis.
- Jeigu slėgio reguliatoriuje nėra filtro, prieš prijungdami oro žarną prie įrankio, išvalykite oro liniją, kad joje neliktų susikaupusių nešvarumų arba vandens.

### 3.3 VEIKIMO PRINCIPAS

**ATSARGIAI! NORINT, KAD MONTAVIMO ĮRANKIS TINKAMAI VEIKTŲ, SVARBU NUSTATYTI TINKAMĄ TIEKIMO SLĖGĮ. NUSTATĘ NETINKAMĄ SLĖGĮ, GALITE SUSIŽEISTI ARBA PADARYTI ŽALOS TURTUI. TIEKIMO SLĖGIS NETURI VIRŠYTI SLĖGIO, NURODYTO KNIEDYTUVO SPECIFIKACIJOJE**

Pusjuodžiu šriftu paryškintus dalių numerius rasite 1 ir 2 pav. bei 11 puslapyje pateiktose 1 ir 2 lentelėse.

Prijungus pneumatinę žarną prie kniedytuvo, įrankio traukimo ir grąžinimo ciklai valdomi spaudžiant ir atleidžiant rankenoje įrengtą gaiduką (6).

- Oro tiekimas yra atjungtas.
- Prijunkite atitinkamą antgalio bloką, kaip aprašyta p. 10 ir 12.
- Prijunkite pneumatinę žarną prie oro tiekimo įjungimo / išjungimo vožtuvo (7).
- Prijunkite pneumatinę žarną prie oro tiekimo sistemos.
- Įjunkite oro tiekimą į įrankį, patraukdami oro įjungimo / išjungimo vožtuvą (7) į viršutinę padėtį.
- Dabar oras tiekiamas į įrankį ir veikia vakuumo sistema.
- Kelis kartus iki galo patraukite ir atleiskite gaiduką (6), kad patikrintumėte, ar įrankis tinkamai veikia. Stebėkite, kaip veikia įrankis. Patikrinkite, ar nėra skysčio ir (arba) oro nuotėkių.

## 4. DARBO EIGA

### 4.1 ĮRANKIO NAUDOJIMAS (žr. 1, 4, 5, 6 pav.)

#### Įleidžiamosios kniedinės veržlės montavimas

- Būtinai sumontuokite šerdžių rinktuvą (3).
- Įkiškite kniedinės veržlės šerdį į antgalį (1a, b, c arba d). Vakuumo sistema laikys kniedinę veržlę antgalyje.
- Nukreipkite įrankį į reikiamą padėtį.
- Antgalio blokas turi būti nukreiptas į ruošinį stačiu (90°) kampu.
- Paspauskite ir laikykite nuspaudę gaiduką (6), kol kniedinė veržlė bus visiškai įkniedyta į ruošinį.
- Visiškai įkniediję kniedinę veržlę, atleiskite gaiduką (6). Įrankis automatiškai sugrįš į pradinę padėtį. Naudojant vakuumo sistemą, šerdis automatiškai nukrenta į šerdžių rinktuvą (3).
- Šerdžių rinktuvą reikia ištuštinti, kol jis dar nėra pusiau užpildytas.

**ATSARGIAI! NEKIŠKITE KNIEDINIŲ VERŽLIŲ ŠERDŽIŲ ARBA KNIEDINIŲ VERŽLIŲ JĖGA. ANTRAIP GALITE SUGADINTI ĮRANKĮ IR (ARBA) RUOŠINĮ.**

### 4.2 ŠERDŽIŲ RINKTUVO IŠTUŠTINIMAS (ŽR. 1 PAV.)

#### ATSARGIAI! NENAUDOKITE ĮRANKIO, KAI ŠERDŽIŲ RINKTUVAS YRA NUIMTAS

- Įrankyje yra sumontuotas greitai prijungiamas / atjungiamas šerdžių rinktuvas (3).
- Šerdžių rinktuvas nuimamas ir uždedamas pasukant jį 60° kampu.
- Nuėmus šerdžių rinktuvą (3) nuo įrankio, vakuuminė kniedinių veržlių laikymo ir šerdžių ištraukimo sistema automatiškai IŠJUNGIAMA.
- Prijungus šerdžių rinktuvą, vakuumo sistema ĮJUNGIAMA.

## 5. ĮRANKIO PRIEŽIŪRA

### 5.1 TECHNINĖS PRIEŽIŪROS DARBŲ DAŽNUMAS

Kvalifikuoti specialistai privalo reguliariai atlikti priežiūros darbus ir išsamų patikrinimą kasmet arba kas 500 000 ciklų (kas pirmiau).



ATJUNKITE ORO TIEKIMĄ



**ATSARGIAI!** *Nemetalinių įrankio dalių niekada nevalykite tirpikliais arba kitais agresyviais chemikalais. Šie chemikalai gali susilpninti šioms dalims panaudotas plastmasines medžiagas.*

### 5.2 ANTGALIO BLOKAS

Antgalių mazgai turi būti prižiūrimi kas savaitę arba kas 5 000 ciklų. Įsigykite visų atsarginių antgalio mazgo vidinių dalių ir antgalių, nes juos reikės reguliariai keisti.

- Atjunkite oro tiekimą
- Nuimkite visą antgalio bloką, atlikdami 3.1 sk. aprašytus veiksmus.
- Patikrinkite visas sudedamąsias dalis. Bet kurias pažeistas arba nusidėvėjusias dalis privaloma pakeisti naujomis.
- Ypač patikrinkite, ar nenusidėvėjo žiaunos (**1h**).
- Išvalykite visas dalis ir sutepkite molibdeno-ličio tepalu (07992-00020) žiaunas (**1h**) bei kūginę žiaunos kreiptuvo (**1g**) kiaurymę.
- Surinkite, atsižvelgdami į montavimo nurodymus, pateiktus 3.1 sk.

### 5.3 KASDIENĖ PRIEŽIŪRA

- Prieš naudojimą patikrinkite įrankį, žarną ir movas, ar nėra oro nuotėkių ir alyvos nuotėkių. Jei aptiktumėte pažeidimų, nebesinaudokite įrankiu, o pažeistas dalis pakeiskite naujomis.
- Jeigu slėgio reguliatoriuje nėra filtro, prieš prijungdami oro žarną prie įrankio, išvalykite oro liniją, kad joje neliktų susikaupusių nešvarumų arba vandens. Jeigu įrengtas filtras, ištuštinkite jį.
- Patikrinkite, ar antgalio blokas (**1**) tinka kniedinėms veržlėms, kurias įkniedysite, ir ar jis tinkamai sumontuotas.
- Patikrinkite, ar įrankio eiga atitinka minimalias specifikacijas (žr. 2.1 sk.).
- Šerdžių rinktuvas (**3**) privalo būti pritvirtintas prie įrankio.
- Patikrinkite, ar oro kamera yra tvirtai pritvirtinta prie įrankio korpuso.

### 5.4 KASSAVAITINĖ PRIEŽIŪRA

- Patikrinkite įrankį, žarną ir movas, ar nėra oro nuotėkių ir alyvos nuotėkių. Jei aptiktumėte pažeidimų, nebesinaudokite įrankiu, o pažeistas dalis pakeiskite naujomis.

Visus nurodymus, kaip remontuoti, šalinti triktis ir atlikti techninės priežiūros darbus, rasite techninės priežiūros vadove Nr. 07900-09410, skirtame modeliui XT3 ir 07900-09411, skirtame modeliui XT4.

Saugos duomenis, susijusius su šiam įrankiui naudojamu tepalu ir alyva, rasite techninės priežiūros vadove Nr. 07900-09410, skirtame modeliui XT3 ir 07900-09411, skirtame modeliui XT4.

### 5.5 APLINKOSAUGA

Laikykitės galiojančių utilizavimo reglamentų. Visas atliekas nugabenkite į atitinkamą atliekų tvarkymo punktą arba įmonę, kad nekeltumėte pavojaus nei personalui, nei aplinkai.

## 6. EB ATITIKTIES DEKLARACIJA

Mes, **Stanley Engineered Fastening, Stanley House, Works Road, Letchworth Garden City, Hertfordshire, SG6 1JY JUNG TINĖ KARALYSTĖ**, atsakingai pareiškiame, kad šis gaminys:

**Aprašas:**

**Hidropneumatiniai įrankiai įleidžiamosios kniedinėms veržlėms kniedyti „ProSet® XT3“ ir „ProSet® XT4“**

**Modelis:**

**POP-Avdel® / 76003 ir POP-Avdel® / 76004**

kuriam taikoma ši deklaracija, atitinka šiuos suderintus standartus:

ISO 12100:2010	EN ISO 3744:2010
EN ISO 11202:2010	EN ISO 11148-1:2011
EN ISO 4413:2010	BS EN 28662-1:1993
EN ISO 4414:2010	EN ISO 20643:2008+A1:2012
EN ISO 28927-5:2009+A1:2015	ES100118-red. 17:2017

Techninė dokumentacija yra sudaryta atsižvelgiant į 1 priedo 1.7.4.1 sk., atsižvelgiant į šią Direktyvą: **2006/42/EB Mašinų direktyva**

(Teisiniai dokumentai 2008 m. Nr. 1597 – pagal Mašinų tiekimo (saugos) reglamentus).

Toliau pasirašęs asmuo pateikia šią deklaraciją bendrovės „STANLEY Engineered Fastening“ vardu.



**A. K. Seewraj**

**Technikos direktorius, JK**

Avdel UK Limited, Stanley House, Works Road, Letchworth Garden City, Hertfordshire,  
SG6 1JY JUNG TINĖ KARALYSTĖ

**Išdavimo vieta**

**Letchworth Garden City, JK**

**Išdavimo data:**

**01-13-2017**

Toliau pasirašęs asmuo yra atsakingas už Europos Sąjungoje parduodamų gaminių techninės bylos sukūrimą ir pateikia šią deklaraciją „Stanley Engineered Fastening“ vardu.

**Matthias Appel**

**Techninės dokumentacijos parengimo darbo grupės vadovas**

Stanley Engineered Fastening, Tucker GmbH, Max-Eyth-Str.1,  
35394 Gießen, Vokietija



**Šis įrenginys atitinka  
Mašinų direktyvą 2006/42/EB.**

## 7. JK ATITIKTIES DEKLARACIJA

Mes, **Stanley Engineered Fastening, Stanley House, Works Road, Letchworth Garden City, Hertfordshire, SG6 1JY JUNG TINĖ KARALYSTĖ**, atsakingai pareiškiame, kad šis gaminys:

**Aprašas:**

**Hidropneumatiniai įrankiai įleidžiamosios kniedinėms veržlėms kniedyti „ProSet® XT3“ ir „ProSet® XT4“**

**Modelis:**

**POP-Avdel® / 76003 ir POP-Avdel® / 76004**

kuriam taikoma ši deklaracija, atitinka šiuos specialius standartus:

ISO 12100:2010	EN ISO 3744:2010
EN ISO 11202:2010	EN ISO 11148-1:2011
EN ISO 4413:2010	BS EN 28662-1:1993
EN ISO 4414:2010	EN ISO 20643:2008+A1:2012
EN ISO 28927-5:2009+A1:2015	ES100118-red. 17:2017

Techninė dokumentacija yra sudaryta atsižvelgiant į Mašinų tiekimo (saugos) reglamentą, 2008 m., S.I. 2008/1597 (su pakeitimais).

Toliau pasirašęs asmuo pateikia šią deklaraciją bendrovės „STANLEY Engineered Fastening“ vardu.



**A. K. Seewraj**

**Technikos direktorius, JK**

Avdel UK Limited, Stanley House, Works Road, Letchworth Garden City, Hertfordshire,  
SG6 1JY JUNG TINĖ KARALYSTĖ

**Išdavimo vieta**

**Letchworth Garden City, JK**

**Išdavimo data:**

**01-13-2017**



Šis mechanizmas atitinka  
Mašinų tiekimo (saugos) reglamentą 2008 m.,  
S.I. 2008/1597 (su pakeitimais).



## 8. APSAUGOKITE SAVO INVESTICIJĄ!

### 8.1 „POP AVDEL“ KNIEDYTUVO GARANTIJA

„STANLEY Engineered Fastening“ garantuoja, kad visi elektriniai įrankiai yra kruopščiai pagaminti, ir kad įprastai juos naudojant ir prižiūrint jie 1 (vienierius) metus neturės medžiaginių ar gamybinių defektų. Ši garantija taikoma tik pirmajam įrankio pirkėjui, naudojančiam įrankį pagal paskirtį.

#### Išimtyt

##### **Įprastas nusidėvėjimas**

Netaikoma periodinei techninei priežiūrai, remontui ir normaliai besidėvinčioms dalims.

##### **Piktnaudžiavimas ir netinkamas naudojimas**

Garantija netaikoma gedimams arba žalai, patirtai dėl netinkamo naudojimo, laikymo ar piktnaudžiavimo, nelaimingų atsitikimų ar aplaidumo, pavyzdžiui, fiziniams gaminio paviršiaus apgadinimams (įtrūkimams, įbrėžimams ir pan.)

##### **Neleistina priežiūra arba modifikacijos**

Garantija netaikoma gedimams ar apgadinimams, atsiradusiems, jei priežiūros, reguliavimo bandymo, įrengimo, techninės priežiūros, keitimo arba modifikavimo darbus vyko ne „STANLEY Engineered Fastening“ arba jų įgaliotieji priežiūros centrai.

Netaikoma jokių kitų aiškiai išreikštų ar numanomų garantijų, įskaitant visas tinkamumo konkrečiai paskirčiai ir parduodamumo garantijas.

Jei šis įrankis neatitinka garantinių reikalavimų, nedelsdami pristatykite įrankį į artimiausią mūsų gamyklos įgaliotąjį serviso centrą. Norėdami gauti „POP Avdel“ įgaliotųjų serviso centrų, esančių JAV arba Kanadoje, sąrašą, skambinkite mums nemokamu telefono numeriu (877) 364 2781.

Naudotojams už JAV ir Kanados ribų: apsilankykite mūsų svetainėje [www.StanleyEngineeredFastening.com](http://www.StanleyEngineeredFastening.com) ir sužinosite artimiausio „STANLEY Engineered Fastening“ centro adresą.

Tada „STANLEY Engineered Fastening“ nemokamai pakeis bet kurią detalę arba detales, kurios, atlikus patikrą, bus nustatytos kaip turinčios medžiaginių arba gamybinių defektų, ir grąžins jums įrankį (turi būti iš anksto sumokėta už siuntimą). Tai vienintelis mūsų įsipareigojimas pagal šią garantiją.

„STANLEY Engineered Fastening“ jokiais atvejais neatsako už jokių pasekminių ar ypatingus nuostolius, patirtus įsigijus šį įrankį arba juo naudojantis.

### 8.2 UŽREGISTRUOKITE SAVO KNIEDYTUVĄ INTERNETU

Norėdami užregistruoti savo garantiją internete, apsilankykite mūsų svetainėje

<http://www.stanleyengineeredfastening.com/popavdel-powertools/warranty-card>.

Dėkojame, kad pasirinkote „STANLEY Engineered Fastening“ prekės ženklą „POP Avdel“ įrankį.

©2017 Stanley Black & Decker inc.

Visas tiesības aizsargātas.

Šeit sniegto informāciju nedrīkst nekādā veidā un ar nekādiem līdzekļiem (elektroniski vai mehāniski) pavairot un/vai publicēt bez uzņēmuma STANLEY Engineered Fastening iepriekšējas skaidri izteiktas un rakstiskas atļaujas. Sniegtās informācijas pamatā ir dati, kas zināmi šī izstrādājuma ieviešanas brīdī. Uzņēmums STANLEY Engineered Fastening īsteno nepārtrauktu izstrādājumu uzlabošanas politiku, un tādēļ izstrādājumiem var tikt veiktas izmaiņas. Šī informācija attiecas uz izstrādājumu, kā to paredzējis uzņēmums STANLEY Engineered Fastening. Tāpēc STANLEY Engineered Fastening neuzņemas atbildību par zaudējumiem, kas radušies, novirzoties no izstrādājuma sākotnējiem tehniskajiem datiem.

Pieejamā informācija ir sastādīta ar vislielāko rūpību. Tomēr STANLEY Engineered Fastening neatbild par informācijas nepilnībām un no tā izrietošām sekām. STANLEY Engineered Fastening neatbild par bojājumiem, kas radušies trešo pušu veiktu darbību rezultātā. Darba nosaukumus, komercnosaukumus, reģistrētas preču zīmes u. c., ko izmanto uzņēmums STANLEY Engineered Fastening, nedrīkst uzskatīt kā brīvi lietojamus saskaņā ar tiesību aktiem par preču zīmju aizsardzību.

## SATURS

<b>1.</b>	<b>DROŠĪBAS DEFINĪCIJAS.....</b>	<b>2</b>
1.1.	VISPĀRĪGI DROŠĪBAS NOTEIKUMI.....	2
1.2.	LIDOJOŠU PRIEKŠMETI RADĪTI RISKI .....	2
1.3.	AR DARBU SAISTĪTI RISKI .....	3
1.4.	ATKĀRTOTU KUSTĪBU RADĪTI RISKI.....	3
1.5.	AR PAPILDAPRĪKOJUMU SAISTĪTI RISKI.....	3
1.6.	AR DARBA VIETU SAISTĪTI RISKI .....	4
1.7.	AR TROKSNI SAISTĪTI RISKI.....	4
1.8.	AR VIBRĀCIJU SAISTĪTI RISKI.....	4
1.9.	PAPILDU DROŠĪBAS NORĀDĪJUMI PNEIMATISKAJĪEM ELEKTROINSTRUMENTIEM .....	4
<b>2.</b>	<b>TEHNISKIE DATI.....</b>	<b>5</b>
2.1.	INSTRUMENTA TEHNISKIE DATI.....	5
2.2.	IEVIETOŠANAS TEHNISKIE DATI.....	6
2.3.	IEPAKOJUMA SATURS .....	7
2.4.	GALVENO SASTĀVDAĻU SARAKSTS.....	7
2.5.	STANDARTA PRIEKŠGALA APRĪKOJUMS .....	7
<b>3.</b>	<b>INSTRUMENTA UZSTĀDĪŠANA.....</b>	<b>8</b>
3.1.	PRIEKŠGALA APRĪKOJUMS (2. ATT.).....	8
3.2.	GAISA PADEVE (3. ATT.).....	8
3.3.	DARBĪBAS PRINCIPS .....	9
<b>4.</b>	<b>EKSPLUATĀCIJAS KĀRTĪBA .....</b>	<b>10</b>
4.1.	INSTRUMENTA EKSPLUATĀCIJA (1., 4., 5., 6. ATT.) .....	10
4.2.	CAURSITŅU SAVĀCĒJA IZTUKŠOŠANA (1. ATT.) .....	10
<b>5.</b>	<b>INSTRUMENTA APKOPE.....</b>	<b>11</b>
5.1.	APKOPES BIEŽUMS .....	11
5.2.	PRIEKŠGALA APRĪKOJUMS.....	11
5.3.	IKDIENAS APKOPE .....	11
5.4.	IKNEDĒĻAS APKOPE.....	11
5.5.	VIDES AIZSARDZĪBA.....	11
<b>6.</b>	<b>EK ATBILSTĪBAS DEKLARĀCIJA.....</b>	<b>12</b>
<b>7.</b>	<b>APVIENOTĀS KARALISTES ATBILSTĪBAS DEKLARĀCIJA .....</b>	<b>13</b>
<b>8.</b>	<b>AIZSARGĀJIET VĒRTĪGO IEGULDĪJUMU!.....</b>	<b>14</b>
8.1.	POP AVDEL® NECAUREJOŠO KNIEŽU KNIEDĒTĀJA GARANTĪJA .....	14
8.2.	REĢISTRĒJIET NECAUREJOŠU KNIEŽU KNIEDĒTĀJU TIEŠSAISTĒ.....	14



Šī lietošanas rokasgrāmata ir jāizlasa visām personām, kas uzstāda vai lieto šo instrumentu, īpaši ievērojot turpmāk redzamos drošības noteikumus.



Strādājot ar instrumentu, vienmēr valkājiet triecienizturīgus acu aizsardzības līdzekļus. Vajadzīgā aizsardzības klase ir jānovērtē katram konkrētajam lietojumam.



Izmantojiet dzirdes aizsardzības līdzekļus atbilstīgi darba devēja norādījumiem un arodveselības un darba drošības prasībām.



Strādājot ar instrumentu, operatora rokas ir pakļautas riskam, tostarp saspiešanas, trieciena, sagriešanas, nobrāzumu un apdegumu riskam. Lai aizsargātu rokas, valkājiet piemērotus cimdus.

## 1. DROŠĪBAS DEFINĪCIJAS

Turpmāk redzamajās definīcijās izskaidrota signālvārdu nopietnības pakāpe. Lūdzu, izlasiet šo rokasgrāmatu un pievērsiet uzmanību šiem apzīmējumiem.



**BĪSTAMI!** Norāda draudošu bīstamu situāciju, kuras rezultātā, ja to nenovērš, iestājas nāve vai tiek gūti smagi ievainojumi.



**BRĪDINĀJUMS!** Norāda iespējami bīstamu situāciju, kuras rezultātā, ja to nenovērš, var iestāties nāve vai gūt smagus ievainojumus.



**UZMANĪBU!** Norāda iespējami bīstamu situāciju, kuras rezultātā, ja to nenovērš, var gūt nelielus vai vidēji smagus ievainojumus.

**UZMANĪBU!** Ja šo signālvārdu lieto bez brīdinājuma apzīmējuma par drošību, tas norāda iespējami bīstamu situāciju, kuras rezultātā, ja to nenovērš, var radīt materiālos zaudējumus.

**Šī izstrādājuma nepareizas ekspluatācijas vai apkopes rezultātā var gūt smagus ievainojumus un radīt materiālos zaudējumus.**

**Pirms instrumenta lietošanas izlasiet un izprotiet visus brīdinājumus un ekspluatācijas norādījumus. Ekspluatējot elektroinstrumentus, vienmēr jāievēro galvenie drošības noteikumi, lai mazinātu ievainojuma risku.**

### SAGLABĀJIET VISUS BRĪDINĀJUMUS UN NORĀDĪJUMUS TURPMĀKAI UZZIŅAI

#### 1.1. VISPĀRĪGI DROŠĪBAS NOTEIKUMI

- Attiecībā uz vairākiem riskiem izlasiet un izprotiet drošības norādījumus pirms instrumenta uzstādīšanas, ekspluatācijas, remontēšanas, apkopes, piederumu nomaiņas vai darbošanās instrumenta tuvumā. Pretējā gadījumā var gūt smagus ievainojumus.
- Instrumentu drīkst uzstādīt, regulēt un lietot tikai kvalificēti un apmācīti lietotāji.
- NEIZMANTOJIET necaurejošu kniežu kniedētāju citiem nolūkiem, kā tikai tiem, ko noteicis uzņēmums STANLEY Engineered Fastening.
- Izmantojiet tikai ražotāja ieteiktās detaļas, stiprinājumus un piederumus.
- Instrumentu NEDRĪKST pārveidot. Visi pārveidojumi var mazināt drošības pasākumu efektivitāti un palielināt riskus, kam pakļauts operators. Ja klients pārveido instrumentu, viņš pilnībā uzņemas atbildību par to, un visas attiecināmās garantijas zaudē spēku.
- Neizmetiet drošības norādījumus atkritumos; izsniedziet tos operatoram.
- Neizmantojiet instrumentu, ja tas ir bojāts.
- Pirms lietošanas pārbaudiet, vai kustīgās detaļas ir pareizi savienotas un nostiprinātas, vai detaļas nav bojātas, kā arī vai nav kāds cits apstāklis, kas varētu ietekmēt instrumenta darbību. Ja instruments ir bojāts, pirms ekspluatācijas tas ir jāsalabo. Pirms lietošanas noņemiet visas regulēšanas vai uzgriežņatslēgas.
- Instrumenti ir regulāri jāpārbauda, lai pārliecinātos, vai šajā standarta ISO 11148 daļā noteiktie vērtējumi un marķējumi uz instrumenta ir skaidri redzami. Vajadzības gadījumā darba devējam vai lietotājam ir jāsažinās ar ražotāju, lai iegūtu jaunas marķējuma uzlīmes.
- Apmācītiem speciālistiem vienmēr jāuztur instruments drošā darba stāvoklī un regulāri jāpārbauda, vai nav bojājumu vai darbības traucējumu. Instrumenta izjaukšanu drīkst veikt tikai apmācīti speciālisti. Instrumentu drīkst izjaukt tikai tad, ja vispirms ir izlasīti apkopes norādījumi.

#### 1.2. LIDOJOŠU PRIEKŠMETI RADĪTI RISKI

- Pirms apkopes veikšanas, regulēšanas vai priekšgala aprīkojuma vai piederumu uzstādīšanas vai noņemšanas gaisa padeve ir jāatvieno no instrumenta.

- Darba materiāla vai piederumu kļūmes dēļ, vai nepareizi ievietojot instrumentu, var tikt izmestas lidojošas šķembas.
- Strādājot ar instrumentu, vienmēr valkājiet triecienizturīgus acu aizsardzības līdzekļus. Vajadzīgā aizsardzības klase ir jānovērtē katram konkrētajam lietojumam.
- Vienlaikus jāizvērtē arī citām personām radītie riski.
- Apstrādājamajam materiālam ir jābūt cieši nostiprinātam.
- Pārbaudiet, vai stiprinājumu un/vai caursiņņu izmešanas aizsarglīdzekļi ir uzstādīti un darbojas.
- Ar kniedētāju NEDRĪKST strādāt, ja nav uzstādīts caursiņņu savācējs.
- Brīdiniet apkārtējos par caursiņņu iespējamu spēcīgu izmešanu no instrumenta priekšdaļas.
- Darba laikā NEVĒRSIET instrumentu pret citu(-ām) personu(-ām).

### **1.3. AR DARBU SAISTĪTI RISKI**

- Strādājot ar instrumentu, operatora rokas ir pakļautas riskam, tostarp saspiešanas, trieciena, sagriešanas, nobrāzumu un apdegumu riskam. Lai aizsargātu rokas, valkājiet piemērotus cimdus.
- Operatoriem un apkopes personālam ir jāspēj fiziski apieties ar instrumenta gabarītiem, svaru un jaudu.
- Turiet instrumentu pareizi; esiet gatavs līdzsvarot parastu vai spēju instrumenta kustību, kā arī turēt to ar abām rokām.
- Rūpējieties, lai instrumenta rokturi vienmēr būtu sausi, tīri un uz tiem nebūtu smērvielu.
- Strādājot ar instrumentu, saglabājiet līdzsvarotu ķermeņa pozīciju un stabilu stāju.
- Ja ir pārtraukta gaisa padeve, atļaidiet instrumenta iedarbināšanas un apturēšanas mehānismu.
- Lietojiet tikai ražotāja ieteiktās smērvielas.
- Uzmanieties, lai nenonāktu saskarē ar hidraulisko šķidrums. Ja tomēr nonākat saskarē ar hidraulisko šķidrums, rūpīgi mazgājiet skarto vietu, lai nerastos izsitumi uz ādas.
- Šī instrumenta piegādātājs pēc pieprasījuma sniedz materiālu drošības datu lapas par hidrauliskajām eļļām un smērvielām.
- Neieņemiet nepiemērotu ķermeņa pozīciju, citādi pastāv lielāka iespējama, ka nevarēsiet līdzsvarot normālu vai spēju instrumenta kustību.
- Ja instruments ir iestiprināts iekārē, pārliecinieties, vai tas ir droši nofiksēts.
- Ja nav uzstādīts priekšgala aprikojums, pastāv sadragāšanas vai saspiešanas risks.
- Ar instrumentu NEDRĪKST strādāt, ja ir noņemts priekšgala aprikojums.
- Pirms darba sākšanas jāpārliecinās, vai ir pietiekami daudz vietas operatora rokām.
- Pārnēsājot instrumentu no vienas vietas uz otru, neturiet rokas uz slēdža, lai instrumentu nejauši neiedarbinātu.
- NELIETOJIET instrumentu ļaunprātīgi, piemēram, to metot zemē vai lietojot āmura vietā.
- Jāievēro piesardzība, lai neizraisītu bīstamību nolauzto caursiņņu dēļ.
- Caursiņņu savācējs ir jāiztukšo, kad tas ir aptuveni līdz pusei pilns.

### **1.4. ATKĀRTOTU KUSTĪBU RADĪTI RISKI**

- Strādājot ar instrumentu, operators var sajust diskomfortu plaukstās, rokās, plecos, kaklā un citās ķermeņa daļās.
- Strādājot ar instrumentu, operatoram ieteicams ieņemt ērtu pozīciju, vienlaikus stāvot stabili un izvairoties no neērtām vai nestabilām pozām. Ilgstoša darba laikā operatoram ir ieteicams mainīt pozu, lai nerastos diskomforts un nogurums.
- Ja operators izjūt tādus simptomus kā ilgstošs vai regulārs diskomforts, sāpes, pulsējošas vai smeldzošas sāpes, tirpšana, nejutīgums, dedzinoša sajūta vai stīvums, šādus brīdinājuma signālus nedrīkst ignorēt. Operatoram par tiem jāziņo darba devējam un jāvērsas pie kvalificēta veselības aprūpes speciālista.

### **1.5. AR PAPILDAPRĪKOJUMU SAISTĪTI RISKI**

- Pirms priekšgala aprikojuma vai piederumu uzstādīšanas vai noņemšanas atvienojiet instrumentu no gaisa padeves.
- Izmantojiet tikai tādus piederumu un izejmateriālu izmērus un veidus, kādus instrumentam ir ieteicis ražotājs; neizmantojiet cita izmēra vai veida piederumus vai izejmateriālus.

**1.6. AR DARBA VIETU SAISTĪTI RISKI**

- Ievainojumi darba zonā galvenokārt rodas paslīdēšanas, pakļupšanas un kritienu dēļ. Uzmanieties no sliedenām virsmām, kas radušās instrumenta lietošanas rezultātā, kā arī no pakļupšanas riska, ko izraisa gaisa padeves un hidrauliskās šļūtenes.
- Ievērojiet piesardzību nepazīstamās vietās. Var pastāvēt arī slēpti riski, piemēram, elektrības vai citi inženiertehniskie tīkli.
- Instruments nav paredzēts lietošanai potenciāli sprādzienbīstamā vidē, un tas nav izolēts pret saskari ar elektrisko strāvu.
- Pārliecinieties, vai tuvumā nav elektrības vadu, gāzes vadu utt., kas varētu radīt risku, ja tos sabojātu ar instrumentu.
- Valkājiet piemērotu apģērbu. Nevalkājiet pārāk brīvu apģērbu vai rotaslietas. Netuviniet matus, apģērbu un cimdus kustīgām detaļām. Brīvs apģērbs, rotaslietas vai gari mati var iekerties kustīgajās detaļās.
- Jāievēro piesardzība, lai neizraisītu bīstamību nolauzto caursītnu dēļ.

**1.7. AR TROKSNI SAISTĪTI RISKI**

- Augsts trokšņu līmenis var radīt neatgriezenisku dzirdes invaliditāti, kā arī citas problēmas, piemēram, tinītu (zvanišana, dūksana, džinkstēšana vai sīkšana ausīs). Tāpēc ir būtiski, lai tiktu veikts šī riska novērtējums un īstenoti atbilstīgi riska ierobežošanas pasākumi.
- Riska ierobežošanas pasākumos ietilpst, piemēram, skaņu slāpējoši materiāli, kas novērš apstrādājamā materiāla skanēšanu.
- Izmantojiet dzirdes aizsardzības līdzekļus atbilstīgi darba devēja norādījumiem un arodveselības un darba drošības prasībām.
- Eksploatējiet instrumentu un veiciet tai apkopi tā, kā norādīts šajā lietošanas rokasgrāmatā, lai lieki nepaaugstinātu trokšņa līmeni.
- Pārliecinieties, vai, strādājot ar instrumentu, caursītnu savācējā ir ievietots kļūsinātājs, kam ir jābūt labā darba kārtībā.

**1.8. AR VIBRĀCIJU SAISTĪTI RISKI**

- Vibrācija var izraisīt neatgriezeniskus plaukstu un roku nervu un asinsrites sistēmas bojājumus.
- Valkājiet siltu apģērbu, strādājot aukstumā, un rūpējieties, lai rokas būtu siltas un sausas.
- Ja pirkstos vai plaukstās parādās nejutīgums, tirpšana, sāpes vai ādas bālums, pārtrauciet darbu ar instrumentu, ziņojiet par to darba devējam un vērsieties pie ārsta.
- Ja vien iespējams, balstiet instrumenta svaru uz statīva, spriegotāja vai izlīdzinātāja, jo tādējādi instrumentu varēsiet izmantot ar vieglāku satvērienu.

**1.9. PAPILDU DROŠĪBAS NORĀDĪJUMI PNEIMATISKAJĒM ELEKTROINSTRUMENTIEM**

- Darba gaisa padeves spiediens nedrīkst pārsniegt 7 bārus (100 PSI).
- Gaisa zem spiediena var izraisīt smagus ievainojumus.
- Iedarbinātu instrumentu nedrīkst atstāt bez uzraudzības. Ja instruments netiek lietots, kā arī mainot piederumus vai veicot remontdarbus, atvienojiet gaisa šļūteni.
- Caursītnu savācēja gaisa izplūdes atvere NEDRĪKST būt vērsta pret operatoru vai citām personām. Gaisu nedrīkst vērst pret sevi vai citām personām.
- Šļūteņu pātagveida kustība var izraisīt smagus ievainojumus. Vienmēr pārbaudiet, vai šļūtenes un savienojumi nav bojāti vai vaļīgi.
- Pirms darba pārbaudiet, vai nav bojāti gaisa vadi; visiem savienojumiem jābūt cieši nostiprinātiem. Nemetiet smagus priekšmetus uz šļūtenēm. Ass trieciens var izraisīt šļūteņu iekšējus bojājumus un būtiski saīsināt to kalpošanas laiku.
- Aukstam gaisam jābūt novirzītam prom no rokām.
- Izmantojot universālos griezamos savienojumus (izcilņsavienojumus), ir jābūt uzstādītām bloķēšanas tapām un jāizmanto pātagveida kustības ierobežošanas drošības kabeli, lai izvairītos no iespējamās savienojuma kļūmes starp šļūteni un instrumentu vai citu šļūteni.
- NECELIET kniedētāju, turot aiz šļūtenes. Šim nolūkam izmantojiet kniedētāja rokturi.
- Ventilācijas atveres nedrīkst būt nosprostotas vai nosegtas.
- Izīriet netīrumus un svešķermeņus no instrumenta hidrauliskās sistēmas, citādi tie izraisīs darbības traucējumus.

**Uzņēmums STANLEY Engineered Fastening īsteno nepārtrauktas izstrādājumu pilnveides un uzlabošanas politiku, tāpēc mēs paturam tiesības mainīt izstrādājumu tehniskos datus bez iepriekšēja brīdinājuma.**

## 2. TEHNISKIE DATI

ProSet® XT3 un XT4 hidropneimatiskie instrumenti ir paredzēti Stanley Engineered Fastening necaurejošu kniežu kniedēšanai lielā ātrumā. Instrumentiem ir vakuuma sistēma kniežu turēšanai un ērti lietojams nolauzto caursitņu savācējs jebkādā instrumenta turēšanas leņķī.

Atkarībā no tā, kāds priekšgala aprīkojums ir uzstādīts, ProSet® XT3 un XT4 var izmantot necaurejošu kniežu kniedēšanai diametrā no Ø 4,0 mm līdz Ø 6,4 mm. Skatiet 10. lpp. redzamo tabulu, kur norādītas visas instrumentam piemērotās kniedes.

Vienmēr jāievēro 2. un 4. lpp. minētie drošības norādījumi.

**NELIETOJĪET** mitros apstākļos vai viegli uzliesmojošu šķidrumu un gāzu klātbūtnē.

### 2.1. INSTRUMENTA TEHNISKIE DATI

	XT3		XT4	
<b>Vilkšanas spēks:</b> pie 5,5 bāriem	17,0 kN	3822 spēka mārc.	23,0 kN	5193 spēka mārc.
<b>Gaisa padeves spiediens:</b> no min. līdz maks.	5,0–7,0 bāri	72,5–101,5 spēka mārc./collas <sup>2</sup>	5,0–7,0 bāri	72,5–101,5 spēka mārc./collas <sup>2</sup>
<b>Eļļas spiediens:</b> velkot pie 5,5 bāriem	290 bāri	4206 spēka mārc./collas <sup>2</sup>	395 bāri	5729 spēka mārc./collas <sup>2</sup>
<b>Gājiens:</b> Minimālais virzuļa gājiens	26,0 mm	1,02 collas	18,0 mm	0,91 collas
<b>Svars:</b> ar priekšgala aprīkojumu	2,24 kg	4,94 mārc.	2,26 kg	4,98 mārc.
<b>Svars:</b> bez priekšgala aprīkojuma	2,00 kg	4,41 mārc.	2,02 kg	4,41 mārc.
<b>Brīvā gaisa tilpums:</b> pie 5,5 bāriem	6,3 l	384,4 collas <sup>3</sup>	6,3 l	384,4 collas <sup>3</sup>
<b>Cikla laiks:</b> aptuveni	0,9 sekundes		1,0 sekundes	

Vērtības noteiktas saskaņā ar trokšņa pārbaudes kodeksu ISO 15744 un ISO 3744.		XT3	XT4
A-izsvartais skaņas jaudas līmenis dB(A), $L_{WA}$	Trokšņa neprecizitāte: $k_{WA} = 3,0$ dB(A)	90,3 dB(A)	89,7 dB(A)
A-izsvartais skaņas spiediena emisijas līmenis darba stacijā dB(A), $L_{pA}$	Trokšņa neprecizitāte: $k_{pA} = 3,0$ dB(A)	79,3 dB(A)	78,7 dB(A)
C-izsvartais skaņas spiediena emisijas augstākais līmenis dB(C), $L_{pC}$ , augstākajā punktā	Trokšņa neprecizitāte: $k_{pC} = 3,0$ dB(C)	82,7 dB(C)	81,5 dB(A)

Vibrācijas vērtības noteiktas saskaņā ar vibrācijas pārbaudes kodeksu ISO 20643 un ISO 5349.	XT3	XT4
Vibrācijas emisijas līmenis, $a_{hd}$ :	1,41 m/s <sup>2</sup>	1,80 m/s <sup>2</sup>
Vibrācijas nenoteiktība: k	0,70 m/s <sup>2</sup>	0,90 m/s <sup>2</sup>

Deklarētās vibrācijas emisiju vērtības saskaņā ar EN 12096

## 2.2. IEVIETOŠANAS TEHNISKIE DATI

Knieides veids	Knieides diametrs, mm [collas]										
	4 [5/32]	4,3	4,8 [3/16]	6	6,4 [1/4]	7	8	9	10	11	12
Atvērts gals	●*		●**		●						
Noslēgts gals	●*		●**		●						
HR	●*		●		●						
HS					● (3)						
Multi-Grip	●*		●**		●						
TL	●*		●								
T veida kniede (Emhart)	●*		●		●						
Self-Plugger	●*		●		●						
Ultra Grip (UG) (NPR)					⊗ (3)						
CD					● (3)						
Avex <sup>®</sup>	● (2)		● (2)		● (2)						
Stavex <sup>®</sup>	● (2)		● (2)		● (1)(3)						
Avinox <sup>®</sup> / Avibulb <sup>®</sup>	● (2)		● (2)	● (2)							
Avinox <sup>®</sup> XT / Avibulb <sup>®</sup> XT					● (1)(3)						
LSR/Bulbex <sup>®</sup>	● (2)		● (2)								
T-Lok <sup>®</sup>		● (2)	● (2)								
Avdel <sup>®</sup> SR	● (2)		● (2)		● (2)						
Hemlok <sup>®</sup>					● (1)(3)						
Interlock <sup>®</sup>			⊗ (2)		⊗ (1)(3)						
Maxlok <sup>®</sup>			● (3)		Ⓞ (3)						
Monobolt <sup>®</sup>			⊗ (1)(2)		⊗ (1)(3)						
Avtainer <sup>®</sup>									Ⓞ (1)(3)		
Avseal <sup>®</sup> (STD)				● (1)(3)		● (1)(3)	● (1)(3)	● (1)(3)	Ⓞ (1)(3)		
Avseal <sup>®</sup> (zems sp.)							● (1)(3)	● (1)(3)	● (1)(3)	Ⓞ (1)(3)	Ⓞ (1)(3)
Q veida kniede	● (2)		● (2)		● (2)						
T veida kniede (Avdel)			● (1)(2)		● (1)(2)						
Avdelmate <sup>®</sup>			● (2)		● (2)						
Klamp-Tite <sup>®</sup> BAPK			⊗ (2)		⊗ (2)						
Klamp-Tite <sup>®</sup> BAPKTR			⊗ (1)(2)		⊗ (1)(2)						
Avdelok <sup>®</sup>			● (3)		Ⓞ (3)						

\* Lietojiet PRG540-46 spaiļes un FAN276-064 spaiļes grūdēja komplektāciju.

\*\* Lietojiet PRG540-46 spaiļes.

- Attiecas gan uz XT3, gan XT4 instrumenta modeļi (1) Vajadzīgs nestandarta priekšgals.
- ⊗ Attiecas tikai uz XT3 instrumenta modeļi (2) Pieejama alternatīva tipa priekšgala aprīkojums.
- Ⓞ Attiecas tikai uz XT4 instrumenta modeļi (3) Vajadzīga nestandarta priekšgala aprīkojums.

Katram kniedes veidam piemēroto priekšgala aprīkojumu un salikšanas un apkopes norādījumus skatiet ProSet® priekšgala aprīkojuma rokasgrāmatā 07900-09414.

### 2.3. IEPAKOJUMA SATURS

- 1 ProSet® XT3 vai XT4 necaurejošu kniežu kniedētājs.
- 1 standarta\* priekšgala aprīkojuma un priekšgala komplekts, paredzēts 4,8 mm [3/16 collu] un 6,4 mm [1/4 collu] kniedēm.
- 1 drukāta lietošanas rokasgrāmata (atkarībā no reģiona).

### 2.4. GALVENO SASTĀVDAĻU SARAKSTS

Skatiet 1. un 2. attēlu un turpmāk redzamo tabulu.

Vienums	Detaljas numurs	Apraksts	Daudz.
1	76003-15000*	Standarta priekšgala aprīkojums	1
2	76003-02022	Piekāršanas āķis	1
3	76003-05200	Caursiņņu savācējs	1
4	07001-00405	Eļļas aizbāznis	1
5	07003-00194	Blīve	1
6	76003-02008	Mēlīte	1
7	76003-03700	Ieslēgšanas/izslēgšanas vārsts	1
8	71210-02103	Kontruze	1

### 2.5. STANDARTA PRIEKŠGALA APRĪKOJUMS

Skatiet un 2. attēlu un turpmāk redzamo tabulu.

Vienums	Detaljas numurs	Apraksts	Daudz.
1c	PRN614	Priekšgals, 4,8 mm [3/16 collas] (uzstādīts)	1
1d	PRN811	Priekšgals, 6,4 mm [1/4 collas]	1
1e	76003-15001	Priekšgala korpuss	1
1f	07003-00067	Gredzenblīve	1
1g	DPN276-001	Spailes vadikla	1
1h	PRG540-44	Spaile	1 komplekts
1i	DPN276-006	Spailes grūdējs	1
1j	DPN900-060	Gredzenblīve	1
1k	DPN901-019	Spailes grūdēja atspere	1
1l	76003-15002	Vilcējgalva	1
1m	76003-15004	Spailes vadiklas bloķētājs	1
1n	DPN901-020	Atspere	1
1o	76003-15003	Vilcējgalvas adapters	1
1p	07003-00277	Gredzenblīve	1

Informāciju par papildu priekšgala aprīkojumu skatiet ProSet® priekšgala aprīkojuma rokasgrāmatā 07900-09414 vai tīmekļa vietnē [www.stanleyengineeredfastening.com/resource-center/document-library](http://www.stanleyengineeredfastening.com/resource-center/document-library)  
Pilnu instrumenta piederumu sarakstu skatiet ProSet piederumu rokasgrāmatā 07900-09415.

\* Priekšgala aprīkojums nav iekļauts Proset XT3 pamata instrumenta (76003-01000) un Proset XT4 pamata instrumenta (76004-01000) komplektācijā.



### 3. INSTRUMENTA UZSTĀDĪŠANA

**SVARĪGI! PIRMS LIETOŠANAS RŪPĪGI IZLASIET DROŠĪBAS BRĪDINĀJUMUS 6. UN 8. LAPPUSĒ.**

**SVARĪGI! PIRMS PRIEKŠGALA DETAĻU UZSTĀDĪŠANAS VAI NOŅEMŠANAS VISPIRMS IR JĀIZSLĒDZ VAI JĀATVIENO GAISA PADEVE.**

#### 3.1. PRIEKŠGALA APRĪKOJUMS (2. ATT.)

Skaitļi treknrakstā attiecas uz detaļu numuriem, kas norādīti 1. un 2. attēlā, kā arī 11. lpp. redzamajā tabulā.

Instrumenti ir sākotnēji aprīkots ar priekšgalu, kas paredzēts 4,8 mm [3/16 collu] kniedēm.

Viens papildu priekšgals, kas paredzēts 6,4 mm [1/4 collu] kniedēm, pieejams atsevišķi.

#### Priekšgala uzstādīšana

- Vispirms ir jāatvieno gaisa padeve.
- Izvēlieties kniežu diametram piemērotu priekšgalu.
- Noņemiet priekšgala korpusu (**1e**), tostarp pašu priekšgalu (**1a, b, c vai d**), un gredzenblīvi (**1f**).
- Izņemiet priekšgalu (**1a, b, c vai d**) ārā no priekšgala korpusa (**1e**).
- Izvēlieties attiecīgā izmēra priekšgalu un samontējiet visas detaļas noņemšanai pretējā kārtībā.

#### Priekšgala aprikojuma konstrukcijas izjaukšana

- Vispirms ir jāatvieno gaisa padeve.
- Noņemiet no instrumenta priekšgala korpusu (**1e**), tostarp pašu priekšgalu (**1a, b, c vai d**), un gredzenblīvi (**1f**).
- Atvelciet atpakaļ spaiļes vadīklas bloķētāju (**1m**) pret atsperi (**1n**) un tad noņemiet spaiļes vadīklu (**1g**).
- Noņemiet spaili (**1h**) nost no spaiļes vadīklas (**1g**).
- Noņemiet spaiļes grūdēju (**1i**), gredzenblīvi (**1j**) un spaiļes grūdēja atsperi (**1k**) nost no vilcējgalvas (**1l**).
- Ar uzgriežņu atslēgu noskrūvējiet vilcējgalvas konstrukciju (**1q**) nost no instrumenta virzuļa.

#### Priekšgala aprikojuma konstrukcijas salikšana

- Vispirms ir jāatvieno gaisa padeve.
- Noliektas vai bojātas detaļa ir jānomaina pret jaunām.
- Notīriet spaili (**1h**) un pārbaudiet, vai tā nav nodilusi.
- Pārbaudiet, vai nav saliekts ne spaiļes grūdējs (**1i**), ne arī spaiļes grūdēja atspere (**k**).
- Viegli pārkļājiet spaili (**1h**) ar Molli (moly) litija smērvielu.
- Ievietojiet spaili (**1h**) spaiļes vadīklā (**1g**).
- Ievietojiet spaiļes grūdēju (**1i**) un gredzenblīvi (**1j**) vilcējgalvā (**1l**).
- Atvelciet atpakaļ spaiļes vadīklas bloķētāju (**1m**) un uzskrūvējiet spaiļes vadīklu (**1g**) līdz galam uz vilcējgalvas (**1l**).
- Atlaidiet spaiļes vadīklas bloķētāju (**1m**) un tad daļēji atskrūvējiet spaiļes vadīklu (**1g**), līdz spaiļes vadīklas bloķētāja (**1m**) izcilnis ir savietots ar tuvāko spaiļes vadīklas (**1g**) ierobu.
- Uzlieciet priekšgala korpusu (**1e**) uz spaiļes vadīklas (**1g**) un ieskrūvējiet instrumentā, cieši pievelkot.

Priekšgala korpusa apkope ir jāveic reizi nedēļā. Ieteicams glabāt visu priekšgala korpusa iekšējo detaļu un priekšgala rezerves krājumus, jo tie ir bieži jāmaina pret jauniem.

#### 3.2. GAISA PADEVE (3. ATT.)

Sastāvdaļas

- Apturēšanas krāns (lieto filtra vai standarta/eļļotu detaļu apkopes laikā)
- Spiediena regulētājs un filtrs (jāiztukšo reizi dienā)
- Galvenās gaisa padeves iztukšošanas atvere
- Galvenās gaisa padeves sākumpunkts

- Visi instrumenti tiek darbināti ar saspiestu gaisu, kura minimālais spiediens ir 5,0 bāri.
- Spiediena regulatori un automātiskās eļļošanas/filtrēšanas sistēmas tiks izmantotas uz galvenās gaisa padeves 3 metru attālumā no instrumenta (skatīt 3. att.).
- Gaisa padeves šļūtenju minimālais efektīvais darba spiediens ir vai nu 150 % no maksimālā sistēmā radītā spiediena, vai 10 bāri — atkarībā no tā, kura vērtība ir lielāka.

- Gaisa padeves šļūtenēm jābūt eļļas izturīgām, ar nodilumizturīgu ārējo virsmu un stiegrotām, ja darba apstākļu ietekmē šļūtenes var tikt sabojātas.
- Visu gaisa padeves šļūteņu iekšējam diametram ir JĀBŪT VISMAZ 6,4 mm.
- Pārbaudiet, vai nav gaisa noplūdes. Ja šļūtenes un savienojumi ir bojāti, tie ir jānomaina pret jauniem.
- Ja uz spiediena regulatora nav uzstādīts filtrs, pirms gaisa šļūtenes pievienošanas instrumentam vispirms iztukšojiet gaisa vadu, lai no tā iztīrītu uzkrājušos netīrumus vai ūdeni.

### 3.3. DARBĪBAS PRINCIPS

**UZMANĪBU! LAI KNIEDĒTĀJS FUNKCIONĒTU PAREIZI, SVARĪGI IR TO APGĀDĀT AR PAREIZU PADEVES SPIEDIENU. NEPAREIZA SPIEDIENA DĒĻ VAR GŪT SMAGUS IEVAINOJUMUS VAI SABOJĀT INSTRUMENTU. PADEVES SPIEDIENS NEDRĪKST PĀRSNIEGT TO, KAS NORĀDĪTS KNIEDĒTĀJA TEHNISKAJOS DATOS.**

Skaitļi treknrakstā attiecas uz detaļu numuriem, kas norādīti 1. un 2. attēlā, kā arī 11. lpp. redzamajā tabulā.

Kad kniedētājam ir pievienota pneimatiskā šļūtene, vilkšanas un atlaišanas cikli tiek regulēti, spiežot un atlaižot mēlīti (6), kas atrodas uz roktura.

- Gaisa padeve ir atvienota.
- Uzstādiet piemērotu priekšgala aprikojumu, kā norādīts 10. un 12. lpp.
- Pievienojiet pneimatisko šļūteni pie gaisa ieslēgšanas/izslēgšanas vārsta (7).
- Pievienojiet pneimatisko šļūteni pie galvenās gaisa padeves.
- Ieslēdziet galveno gaisa padevi, pastumjot instrumenta gaisa ieslēgšanas/izslēgšanas vārstu (7) uz augšu.
- Tagad instrumentam ir pieslēgta gaisa padeve, un darbojas vakuuma sistēma.
- Vairākas reizes pavelciet un atlaidiet mēlīti (6) pilnā gājienā, lai pārbaudītu instrumenta darbību. Vērojiet, kā darbojas instruments. Pārbaudiet, vai nav šķidruma un/vai gaisa noplūdes.

## 4. EKSPLUATĀCIJAS KĀRTĪBA

### 4.1. INSTRUMENTA EKSPLUATĀCIJA (1., 4., 5., 6. ATT.)

#### Necaurejošas kniedes ievietošana

- Uztādiet caursitņu savācēju (3).
- Ievietojiet priekšgalā (1a, b, c vai d) kniedes caursitni. Vakuuma sistēma notur kniedi priekšgala iekšpusē.
- Novietojiet instrumentu pret darba pozīcijā.
- Pārbaudiet, vai priekšgala korpusu ir pareizajā leņķī (90°) pret apstrādājamo materiālu.
- Velciet un turiet mēlīti (6), līdz kniede ir pilnībā iestrādāta materiālā.
- Atlaidiet mēlīti (6), kolīdz kniede ir pilnībā iestrādāta. Instruments automātiski atgriežas sākuma pozīcijā. Vakuuma sistēma automātiski novada kniedes caursitni savācējā (3).
- Caursitņu savācējs ir jāiztukšo, kad tas ir līdz pusei pilns.

**UZMANĪBU! NESPIEDIET KNIEDI VAI TĀS CAURSITNI INSTRUMENTĀ AR SPĒKU. TAS VAR SABOJĀT INSTRUMENTU UN/VAI MATERIĀLU.**

### 4.2. CAURSITŅU SAVĀCĒJA IZTUKŠOŠANA (1. ATT.)

**UZMANĪBU! NESTRĀDĀJIET AR INSTRUMENTU, JA NO TĀ IR NOŅEMTS CAURSITŅU SAVĀCĒJS.**

- Šis instruments ir aprīkots ar ātri uzstādāmu un noņemamu caursitņu savācēju (3).
- Pagrieziet caursitņu savācēju par 60°, lai to uzstādītu vai noņemtu.
- Noņemot caursitņu savācēju (3) nost no instrumenta, automātiski tiek izslēgta vakuuma sistēma kniežu turēšanai un caursitņu savākšanai.
- Uztādot caursitņu savācēju, vakuuma sistēma tiek no jauna ieslēgta.

## 5. INSTRUMENTA APKOPE

### 5.1. APKOPES BIEŽUMS

Instrumentam ir jāveic regulāra apkope, kas jāuztic tikai apmācītiem speciālistiem, un reizi gadā vai ik pēc 500 000 cikliem — atkarībā no tā, kas notiek ātrāk, — ir jāveic pilnā pārbaude.



ATVIENOJIET GAISA PADEVI



**UZMANĪBU!** Instrumenta detaļu tīrīšanai, kas nav no metāla, nedrīkst izmantot šķīdinātājus vai citas asas ķīmiskas vielas.

Šīs ķīmiskās vielas var sabojāt šo detaļu materiālu.

### 5.2. PRIEKŠGALA APRĪKOJUMS

Priekšgala korpusa apkope ir jāveic reizi nedēļā vai ik pēc 5 000 cikliem. Glabājiet visu priekšgala korpusa iekšējo detaļu un priekšgala rezerves krājumus, jo tie ir bieži jāmaina pret jauniem.

- Atvienojiet gaisa padevi.
- Noņemiet visu priekšgala konstrukciju tā, kā aprakstīts 3.1. sadaļā.
- Pārbaudiet visas sastāvdaļas. Nolieciet vai bojātas detaļas ir jānomaina pret jaunām.
- It īpaši pārbaudiet, vai nav nodilusi spaiļi (**1h**).
- Notīriet visas detaļas un pārklājiet spali (**1h**) un spaiļes vadīklas konusveida atveri (**1g**) ar Molli (Moly) litija smērvielu (07992-00020).
- Salieciet visu kopā saskaņā ar 3.1. sadaļā minētajiem salikšanas norādījumiem.

### 5.3. IKDIENAS APKOPE

- Pirms lietošanas pārbaudiet, vai no instrumenta, šļūtenes un savienojumiem nav šķidrums un gaisa noplūdes. Bojājumu gadījumā pārtrauciet ekspluatēt instrumentu un nomainiet bojātās detaļas pret jaunām.
- Ja uz spiediena regulatora nav uzstādīts filtrs, pirms gaisa šļūtenes pievienošanas instrumentam vispirms iztukšojiet gaisa vadu, lai no tā iztīrītu uzkrājušos netīrumus vai ūdeni. Ja ir uzstādīts filtrs, iztukšojiet to.
- Pārbaudiet, vai priekšgala aprīkojums (**1**) atbilst iestrādājamajām kniedēm un vai tas ir pareizi uzstādīts.
- Pārbaudiet, vai instrumenta gājiens atbilst minimālajai vērtībai (skat. 2.1. sadaļu).
- Instrumentam ir jāuzstāda caursitņu savācējs (**3**).
- Pārbaudiet, vai gaisa kamera ir cieši pievilktā pie instrumenta korpusa.

### 5.4. IKNEDĒĻAS APKOPE

- Pārbaudiet, vai no instrumenta, šļūtenes un savienojumiem nav šķidrums un gaisa noplūdes. Bojājumu gadījumā pārtrauciet ekspluatēt instrumentu un nomainiet bojātās detaļas pret jaunām.

Visus norādījumus par apkopi, apkalpošanu un problēmu novēršanu skatiet apkopes rokasgrāmatā Nr. 07900-09410 (modelim XT3) un Nr. 07900-09411 (modelim XT4).

Drošības datus par šajā instrumentā izmantojamo smērvielu un eļļu skatiet apkopes rokasgrāmatā Nr. 07900-09410 (modelim XT3) un Nr. 07900-09411 (modelim XT4).

### 5.5. VIDES AIZSARDZĪBA

levērojiet spēkā esošos normatīvos aktus par nodošanu atkritumos. Nododiet visus nolietotos izstrādājumus apstiprinātā atkritumu savākšanas iekārtā vai punktā, lai neapdraudētu darbiniekus un vidi.

## 6. EK ATBILSTĪBAS DEKLARĀCIJA

Mēs, **Stanley Engineered Fastening, Stanley House, Works Road, Letchworth Garden City, Hertfordshire, SG6 1JY, APVIENOTĀ KARALISTE**, ar savu vienpersonisko atbildību paziņojam, ka šis izstrādājums,

**Apraksts:**

**ProSet® XT3 un ProSet® XT4 hidropneimatiskie slēpto kniežu instrumenti**

**Modelis:**

**POP-Avdel® / 76003 un POP-Avdel® / 76004**

uz ko attiecas šī deklarācija, atbilst šādiem saskaņotajiem standartiem:

ISO 12100:2010	EN ISO 3744:2010
EN ISO 11202:2010	EN ISO 11148-1:2011
EN ISO 4413:2010	BS EN 28662-1:1993
EN ISO 4414:2010	EN ISO 20643:2008+A1:2012
EN ISO 28927-5:2009+A1:2015	ES100118-rev 17:2017

Tehniskā dokumentācija ir sastādīta saskaņā ar 1.7.4.1. iedaļas 1. pielikumu atbilstīgi šādai direktīvai:

**2006/42/EK — Mašīnu direktīva**

(Piemēro AK tiesību aktu Statutory Instruments 2008 No 1597 - The Supply of Machinery (Safety) Regulations.)

Persona, kas šeit parakstījusies, STANLEY Engineered Fastening vārdā sniedz šo apliecinājumu.



**A. K. Seewraj**

**inženiertehniskās nodaļas priekšsēdētājs, Apvienotā Karaliste**

Avdel UK Limited, Stanley House, Works Road, Letchworth Garden City, Hertfordshire,  
SG6 1JY, APVIENOTĀ KARALISTE

**Izdošanas vieta:**

**Letchworth Garden City, Apvienotā Karaliste**

**Izdošanas datums:**

**01.13.2017.**

Persona, kas šeit parakstījusies, atbild par tehnisko datu sagatavošanu izstrādājumiem, kurus pārdod Apvienotajā Karalistē, un Stanley Engineered Fastening vārdā izstrādā šo apliecinājumu.

**Matthias Appel**

**tehniskās dokumentācijas grupas vadītājs**

Stanley Engineered Fastening, Tucker GmbH, Max-Eyth-Str.1,  
35394 Gießen, Vācija



Šis instruments atbilst Mašīnu direktīvai  
**2006/42/EK**

## 7. APVIENOTĀS KARALISTES ATBILSTĪBAS DEKLARĀCIJA

Mēs, **Stanley Engineered Fastening, Stanley House, Works Road, Letchworth Garden City, Hertfordshire, SG6 1JY, APVIENOTĀ KARALISTE**, ar savu vienpersonisko atbildību paziņojam, ka šis izstrādājums,

**Apraksts:** ProSet® XT3 un ProSet® XT4 hidropneimatiskie slēpto kniežu instrumenti  
**Modelis:** POP-Avdel® / 76003 un POP-Avdel® / 76004

uz ko attiecas šī deklarācija, atbilst šādiem specializētajiem standartiem:

ISO 12100:2010	EN ISO 3744:2010
EN ISO 11202:2010	EN ISO 11148-1:2011
EN ISO 4413:2010	BS EN 28662-1:1993
EN ISO 4414:2010	EN ISO 20643:2008+A1:2012
EN ISO 28927-5:2009+A1:2015	ES100118-rev 17:2017

Tehniskā dokumentācija ir sastādīta saskaņā ar tiesību aktu "Supply of Machinery (Safety) Regulations 2008, S.I. 2008/1597" (ar grozījumiem).

Persona, kas šeit parakstījusies, STANLEY Engineered Fastening vārdā sniedz šo apliecinājumu.



**A. K. Seewraj**

**inženiertehniskās nodaļas priekšsēdētājs, Apvienotā Karaliste**

Avdel UK Limited, Stanley House, Works Road, Letchworth Garden City, Hertfordshire,  
 SG6 1JY, APVIENOTĀ KARALISTE

**Izdošanas vieta:** Letchworth Garden City, Apvienotā Karaliste

**Izdošanas datums:** 01.13.2017.



Šis instruments atbilst  
 tiesību aktam "Supply of Machinery (Safety)  
 Regulations 2008,  
 S.I. 2008/1597" (ar grozījumiem)

## 8. AIZSARGĀJIET VĒRTĪGO IEGULDĪJUMU!

### 8.1. POP'AVDEL' NECAUREJOŠO KNIEŽU KNIEDĒTĀJA GARANTĪJA

STANLEY Engineered Fastening garantē, ka visi elektroinstrumenti ir ražoti ar vislielāko rūpību un viena (1) gada laikā tiem nerodas materiālu vai darba kvalitātes defekti, ja tos lieto un apkopj tā, kā paredzēts. Šī instrumenta garantija attiecas tikai uz instrumenta pirmo pircēju un tā pirmreizējo lietošanu.

#### Izņēmumi

##### **Normāls nolietojums un nodilums**

Garantija neattiecas uz regulāru apkopi, remontdarbiem un rezerves daļām normāla nolietojuma un nodiluma dēļ.

##### **Ļaunprātīga un nepareiza lietošana**

Garantija neattiecas uz defektiem un bojājumiem, kas radušies nepareizas ekspluatācijas, glabāšanas, ļaunprātīgas vai nepareizas lietošanas, negadījumu vai nolaidības rezultātā, piemēram, fiziskiem bojājumiem.

##### **Neatļauta apkalpošana vai pārveidošana**

Garantija neattiecas uz defektiem vai bojājumiem, kas radušies tādu apkalpošanas, pārbaudes regulēšanas, uzstādīšanas, apkopes, pārveidošanas vai modifikācijas darbu rezultātā, ko veikušas trešās personas, nevis uzņēmums STANLEY Engineered Fastening vai tā pilnvarotie apkopes centri.

Nav spēkā nekādas citas tiešas vai netiešas garantijas, tostarp tādas, kas garantē komerciālo kvalitāti un piemērotību īpašam mērķim.

Ja instruments neatbilst šai garantijai, nekavējoties nogādājiet to tuvākajā uzņēmuma pilnvarotajā apkopes centrā. Lai uzzinātu visus POP' Avdel' pilnvarotos apkopes centrus ASV vai Kanādā, zvaniet pa bezmaksas tālruna numuru (877)364 2781.

Lai atrastu tuvāko centru ārpus ASV vai Kanādas, apmeklējiet mūsu tīmekļa vietni **[www.StanleyEngineered-Fastening.com](http://www.StanleyEngineered-Fastening.com)**.

Uzņēmums STANLEY Engineered Fastening bez maksas nomainīs visas detaļas, ko tas ir atzinis par bojātām materiālu vai darba kvalitātes defektu dēļ, un tad nogādās jums atpakaļ jauniegādāto instrumentu. Tas ir mūsu vienīgais pienākums saskaņā ar šo garantiju.

STANLEY Engineered Fastening nekādā gadījumā neatbild par izrietošiem vai faktiskiem zaudējumiem, kas radušies, iegādājoties šo instrumentu.

### 8.2. REĢISTRĒJIET NECAUREJOŠU KNIEŽU KNIEDĒTĀJU TIEŠSAISTĒ

Lai reģistrētu garantiju tiešsaistē, apmeklējiet tīmekļa vietni

<http://www.stanleyengineeredfastening.com/popavdel-powertools/warranty-card>.

Pateicamies, ka izvēlējāties STANLEY Engineered Fastening POP' Avdel' zīmola instrumentu.

©2017 Stanley Black & Decker inc.

Toate drepturile rezervate.

Informațiile furnizate nu pot fi reproduse și/sau făcute public în niciun fel și prin niciun mijloc (electronic sau mecanic) fără permisiunea scrisă și explicită din partea STANLEY Engineered Fastening. Informațiile furnizate se bazează pe datele cunoscute la momentul lansării produsului. STANLEY Engineered Fastening are o politică de îmbunătățire permanentă a produsului, prin urmare produsele pot suferi modificări. Informațiile furnizate sunt valabile pentru produs în starea în care este livrat de către STANLEY Engineered Fastening. Astfel, STANLEY Engineered Fastening nu poate fi considerat responsabil pentru orice pagube care intervin în urma nerespectării specificațiilor originale ale produsului.

Informațiile disponibile au fost redactate cu cea mai mare atenție. Totuși, STANLEY Engineered Fastening nu va accepta nicio responsabilitate cu privire la informațiile inexacte sau pentru consecințele care decurg din acestea. STANLEY Engineered Fastening nu va accepta nicio responsabilitate pentru daune produse ca urmare a unor operațiuni efectuate de către terți. Denumirile profesionale, denumirile comerciale, mărcile înregistrate etc. folosite de către STANLEY Engineered Fastening nu trebuie considerate ca fiind libere, în conformitate cu legislația de protecție a mărcilor comerciale.

## CUPRINS

<b>1.</b>	<b>INSTRUCȚIUNI PRIVIND SIGURANȚA .....</b>	<b>2</b>
1.1	REGULI GĂNERALE DE SIGURANȚĂ.....	2
1.2	PERICOLE PRIVIND ELEMENTELE PROIECTATE.....	2
1.3	PERICOLE LA UTILIZARE .....	3
1.4	PERICOLE PRIVIND MIȘCĂRILE REPETITIVE.....	3
1.5	PERICOLE PRIVIND ACCESORIILE.....	3
1.6	PERICOLE LA LOCUL DE MUNCĂ.....	3
1.7	PERICOLE PRIVIND ZGOMOTUL.....	4
1.8	PERICOLE PRIVIND VIBRAȚIILE .....	4
1.9	INSTRUCȚIUNI SUPLIMENTARE DE SIGURANȚĂ PENTRU UNELTELE ELECTRICE PNEUMATICE.....	4
<b>2.</b>	<b>SPECIFICAȚII.....</b>	<b>5</b>
2.1	SPECIFICAȚIILE UNELTEI.....	5
2.2	SPECIFICAȚII DE APLICARE.....	6
2.3	CONȚINUTUL PACHETULUI.....	7
2.4	LISTA PRINCIPALELOR COMPONENTE .....	7
2.5	ECHIPAMENT STANDARD PENTRU VĂRF .....	7
<b>3.</b>	<b>CONFIGURAREA UNELTEI.....</b>	<b>8</b>
3.1	ECHIPAMENT VĂRF (Cons. fig. 2) .....	8
3.2	ALIMENTAREA CU AER (Vezi fig. 3) .....	8
3.3	PRINCIPIUL DE FUNCȚIONARE .....	9
<b>4.</b>	<b>PROCEDURA DE UTILIZARE .....</b>	<b>10</b>
4.1	OPERAREA UNELTEI (Cons. fig. 1, 4, 5, 6).....	10
4.2	Golirea colectorului de tije (W) (Vezi fig. 1).....	10
<b>5.</b>	<b>ÎNTREȚINEREA UNELTEI.....</b>	<b>11</b>
5.1	FRECVENȚA DE ÎNTREȚINERE.....	11
5.2	ECHIPAMENT PENTRU CAPUL UNELTEI.....	11
5.3	ÎNTREȚINEREA ZILNICĂ.....	11
5.4	ÎNTREȚINEREA SĂPTĂMĂNALĂ.....	11
5.5	PROTECȚIA MEDIULUI .....	11
<b>6.</b>	<b>DECLARAȚIE DE CONFORMITATE CE.....</b>	<b>12</b>
<b>7.</b>	<b>DECLARAȚIE DE CONFORMITATE UK.....</b>	<b>13</b>
<b>8.</b>	<b>PROTEJAȚI-VĂ INVESTIȚIA! .....</b>	<b>14</b>
8.1	GARANȚIA PISTOLULUI DE NITUIT POP*AVDEL®.....	14
8.2	ÎNREGISTREAZĂ-ȚI ON-LINE UNEALTA PENTRU NITURI.....	14





Acest manual de instrucțiuni trebuie citit de orice persoană care assemblează sau utilizează dispozitivul, acordând o atenție deosebită regulilor de siguranță prezentate mai jos.



La utilizarea uneltei, purtați întotdeauna echipament de protecție pentru ochi rezistent la impact. Gradul de protecție necesar trebuie evaluat pentru fiecare utilizare.



Utilizați protecția auditivă în conformitate cu instrucțiunile angajatorului și conform cerințelor reglementărilor de protecție și sănătate a muncii.



Utilizarea uneltei poate prezenta pericol de strivire, lovire, tăiere și arsuri ale mâinilor. Purtați mănuși de protecție adecvate.

## 1. INSTRUCȚIUNI PRIVIND SIGURANȚA

Definițiile de mai jos descriu nivelul de severitate al fiecărui termen de semnalizare. Vă rugăm să citiți manualul și să fiți atenți la aceste simboluri.



**PERICOL:** Indică o situație iminentă de pericol care, dacă nu este evitată, va conduce la vătămarea gravă sau chiar la deces.



**AVERTIZARE:** Indică o situație potențial periculoasă care, dacă nu este evitată, ar putea determina decesul sau vătămarea gravă.



**ATENȚIE:** Indică o situație potențial periculoasă care, dacă nu este evitată, poate determina vătămări minore sau medii.

**ATENȚIE:** Utilizat fără simbolul alarmei de siguranță, indică o situație potențial periculoasă care, dacă nu este evitată, poate cauza deteriorarea bunurilor.

**Utilizarea sau întreținerea necorespunzătoare a acestui produs poate conduce la vătămări serioase și deteriorarea bunurilor.**

**Citiți și înțelegeți toate avertismentele și instrucțiunile de utilizare înainte de a utiliza acest echipament.**

**La folosirea uneltelor electrice, respectați întotdeauna măsurile elementare de siguranță, pentru a reduce pericolul de rănire.**

### SALVAȚI TOATE AVERTIZĂRILE ȘI INSTRUCȚIUNILE PENTRU REFERINȚE VIITOARE

#### 1.1 REGULI GENERALE DE SIGURANȚĂ

- Pentru a preveni diverse pericole, citiți și înțelegeți instrucțiunile de siguranță înainte de instalarea, utilizarea, repararea, întreținerea, schimbarea accesoriilor uneltei sau la lucrul în apropierea uneltei. Nerespectarea acestor măsuri poate provoca leziuni grave.
- Instalarea, reglarea sau utilizarea uneltei este permisă doar operatorilor calificați și instruiți.
- NU UTILIZAȚI în alte scopuri decât cel prevăzut, respectiv fixarea niturilor oarbe de la STANLEY Engineered Fastening.
- Utilizați numai piese, dispozitive de fixare și accesorii recomandate de producător.
- NU modificați unealta. Modificările pot afecta eficiența sau măsurile de siguranță și pot crește pericolele pentru operator. Orice modificare a uneltei de către client se face pe răspunderea exclusivă a acestuia și anulează orice garanții aplicabile.
- Nu aruncați instrucțiunile de siguranță; transmiteți instrucțiunile operatorului.
- Nu utilizați unealta dacă este deteriorată.
- Înainte de utilizare, verificați dacă există piesele mobile sunt descentrate sau îndoite, dacă există piese rupte sau alte condiții care pot afecta funcționarea uneltei. În caz de deteriorare, reparați unealta înainte de utilizare. Îndepărtați orice dispozitiv sau cheie de reglare înainte de utilizare.
- Unelele trebuie inspectate periodic pentru a verifica dacă sunt marcate lizibil pe unealtă caracteristicile nominale și marcajele solicitate de această parte a ISO 11148. Angajatorul/utilizatorul va contacta producătorul pentru a obține etichete de marcare pentru înlocuire, atunci când este necesar.
- Unealta trebuie menținută permanent în stare bună de funcționare și trebuie verificate la intervale regulate absența deteriorărilor și funcționarea corectă, de către personal instruit. Orice procedură de demontare va fi efectuată numai de către personal instruit. Înainte de demontare, citiți instrucțiunile de întreținere.

#### 1.2 PERICOLE PRIVIND ELEMENTELE PROIECTATE

- Deconectați alimentarea cu aer de la dispozitiv înainte de a efectua orice operațiune de întreținere, reglare, montare sau demontare a ansamblului capului uneltei sau a accesoriilor.

- Fiți conștienți că defectarea piesei sau a accesoriilor sau chiar a unelei introdusă poate genera proiectile de mare viteză.
- La utilizarea unelei, purtați întotdeauna echipament de protecție pentru ochi rezistent la impact. Gradul de protecție necesar trebuie evaluat pentru fiecare utilizare.
- În acest stadiu trebuie evaluate de asemenea pericolele pentru alte persoane.
- Asigurați-vă că piesa de lucru este bine fixată.
- Verificați dacă sunt prezente și funcționale mijloacele de protecție împotriva proiectării dispozitivului de montare și/sau a tije.
- NU utilizați unealta fără colector de tije instalat.
- Avertizați persoanele din jur cu privire la posibilitatea proiectării cu viteză a tijelor din partea din față a unelei.
- NU acționați unealta îndreptată spre alte persoane.

### **1.3 PERICOLE LA UTILIZARE**

- Utilizarea unelei poate prezenta pericol de strivire, lovire, tăiere și arsuri ale mâinilor. Purtați mănuși de protecție adecvate.
- Operatorii și personalul de întreținere trebuie să poată face față fizic volumului, greutateii și puterii unelei.
- Țineți corect unealta; fiți gata să contracarați mișcările normale sau bruște și păstrați disponibile ambele mâini.
- Păstrați mânerul dispozitivului uscat, curat și fără urme de ulei și unsoare.
- Mențineți o postură echilibrată și un sprijin sigur pe picioare în timpul utilizării unelei.
- Eliberați dispozitivul de pornire-oprire în cazul întreruperii alimentării cu aer.
- Folosiți numai lubrifiantii recomandați de producător.
- Evitați contactul cu lichidul hidraulic. Pentru a reduce la minimum posibilitatea de iritații ale pielii, spălați-vă bine în caz de contact.
- Furnizorul unelei poate prezenta la cerere fișele tehnice de securitate pentru uleiurile hidraulice și lubrifiantii.
- Evitați posturile necorespunzătoare, care pot împiedica contracararea mișcării normale sau neașteptate a unelei.
- Dacă unealta este fixată pe un dispozitiv de suspendare, asigurați-vă că fixarea este sigură.
- Atenție la riscul de strivire sau prindere dacă nu este montat echipamentul capului.
- NU utilizați unealta fără carcasa capului unelei.
- Înainte de a începe lucrul, operatorul trebuie să aibă spațiu suficient pentru mâini.
- La transportul unelei, feriți mâinile de întrerupător pentru a evita acționarea accidentală.
- NU utilizați necorespunzător unealta, lăsând-o să cadă sau în loc de ciocan.
- Atenție la pericolul provocat de tijele rămase după utilizare.
- Colectorul de tije trebuie să fie golit când este aproximativ pe jumătate plin.

### **1.4 PERICOLE PRIVIND MIȘCĂRILE REPETITIVE**

- Când folosește unealta, operatorul poate întâmpina disconfort la mâini, brațe, umeri, gât sau alte părți ale corpului.
- În timpul utilizării unelei, operatorul trebuie să adopte o postură confortabilă, menținând în același timp un sprijin sigur pe picioare și evitând pozițiile incomode sau dezechilibrate. Operatorul trebuie să își schimbe postura în timpul activităților de durată, pentru a evita disconfortul și oboseala.
- Dacă operatorul prezintă simptome precum disconfort persistent sau recurent, durere, palpitații, dureri, furnicături, amorțeală, senzații de arsură sau rigiditate, aceste semne de avertizare nu trebuie ignorate. Operatorul trebuie să anunțe angajatorul și să consulte un medic.

### **1.5 PERICOLE PRIVIND ACCESORIILE**

- Înainte de montarea sau demontarea ansamblului capului sau a accesoriilor, deconectați unealta de la alimentarea cu aer.
- Folosiți numai accesorii și consumabile de dimensiuni și tipuri recomandate de producătorul unelei; nu folosiți accesorii sau consumabile de alte tipuri sau dimensiuni.

### **1.6 PERICOLE LA LOCUL DE MUNCĂ**

- Alunecările, împiedicările și căderile sunt cauze majore ale accidentelor la locul de muncă. Atenție la suprafețele alunecoase produse de utilizarea unelei și la pericolele de împiedicare cauzate de furtunul de aer sau furtunul hidraulic.

- Acționați cu atenție în medii nefamiliare. Pot exista pericole ascunse, cum ar fi electricitate sau alte circuite de utilități.
- Unealta nu este destinată utilizării în atmosfere potențial explozive și nu este izolată împotriva contactului cu curenți electrici.
- Asigurați-vă că nu există cabluri electrice, conducte de gaz etc. care pot prezenta pericol dacă sunt deteriorate prin utilizarea unelei.
- Purtați îmbrăcăminte corespunzătoare. Nu purtați îmbrăcăminte largă sau bijuterii. Păstrați-vă părul, îmbrăcăminte și mânușile la distanță față de componentele în mișcare. Hainele largi, bijuteriile sau părul lung pot fi prinse de piesele mobile.
- Atenție la pericolul provocat de tije rămase după utilizare.

### **1.7 PERICOLE PRIVIND ZGOMOTUL**

- Expunerea la niveluri ridicate de zgomot poate provoca pierderea permanentă a auzului și alte probleme, cum ar fi tinitus (țuituri, bâzâit, șuierături sau zumzet în urechi). De aceea sunt esențiale evaluarea riscurilor și implementarea unor măsuri adecvate de control pentru aceste pericole.
- Măsurile de control corespunzătoare pentru reducerea acestui risc pot include insonorizarea materialelor pentru a împiedica piesele de lucru să producă zgomot.
- Utilizați protecția auditivă în conformitate cu instrucțiunile angajatorului și conform cerințelor reglementărilor de protecție și sănătate a muncii.
- Utilizați și întrețineți unealta conform recomandărilor din manualul de instrucțiuni, pentru a evita creșterea inutilă a nivelului de zgomot.
- La utilizarea unelei, asigurați-vă că este instalat și funcțional colectorul de tije.

### **1.8 PERICOLE PRIVIND VIBRAȚIILE**

- Expunerea la vibrații poate afecta nervii și vasele de sânge de la mâini și brațe.
- La lucrul în frig, purtați îmbrăcăminte calduroasă și mențineți-vă mâinile calde și uscate.
- Dacă resimțiți amorțeală, furnicăături, durere sau albire a pielii degetelor sau mâinilor, încetați utilizarea unelei, anunțați angajatorul și consultați un medic.
- Dacă este posibil, sprijiniți greutatea unelei pe un suport, un întinzător sau o contragreutate, deoarece astfel puteți strânge mai puțin unealta pentru susținere.

### **1.9 INSTRUCȚIUNI SUPLIMENTARE DE SIGURANȚĂ PENTRU UNELELE ELECTRICE PNEUMATICE**

- Presiunea de funcționare a sursei de aer nu trebuie să depășească 7 bar (100 PSI).
- Aerul sub presiune poate provoca leziuni grave.
- Nu lăsați niciodată unealta nesupravegheată. Deconectați furtunul de aer când unealta nu este utilizată, înainte de a schimba accesoriile sau la efectuarea de reparații.
- NU lăsați orificiul de evacuare a aerului din partea din față a colectorului de tije orientat în direcția operatorului sau a altor persoane. Nu îndreptați aerul spre dv. sau spre alte persoane.
- Un furtun scăpat de sub control poate provoca răni grave. Verificați întotdeauna furtunurile și îmbinările deteriorate sau slăbite.
- Înainte de utilizare, verificați dacă furtunurile de aer nu sunt deteriorate și dacă toate îmbinările sunt bine fixate. Nu lăsați să cadă obiecte grele peste furtunuri. Un impact puternic poate provoca o deteriorare internă și poate conduce la defectarea prematură a furtunului.
- Nu îndreptați aerul rece spre mâini.
- La utilizarea racordurilor cu filet (cu gheare), se vor monta știfturi de blocare și se vor folosi cabluri de siguranță pentru protecția împotriva eventualelor desprinderi ale racordurilor furtunului la unealtă sau ale furtunurilor între ele.
- NU ridicați unealta de furtun. Utilizați întotdeauna mânerul unelei.
- Orificiile de ventilație nu trebuie să fie blocate sau acoperite.
- Evitați pătrunderea murdăriei sau a corpurilor străine în sistemul hidraulic al unelei, deoarece vor provoca defectuni.

**STANLEY Engineered Fastening are o politică de dezvoltare și îmbunătățire continuă a produsului și ne rezervăm dreptul de a modifica specificația oricărui produs fără o notificare prealabilă.**

## 2. SPECIFICAȚII

ProSet® XT3 și XT4 sunt unelte hidro-pneumatice proiectate pentru aplicarea niturilor oarbe Stanley Engineered Fastening cu viteză ridicată. Uneltele sunt prevăzute cu un sistem de vid pentru reținerea și colectarea fără probleme a tijelor deja utilizate, indiferent de orientarea uneltei.

Cu echipamentul corespunzător pentru capul uneltei, ProSet® XT3 și XT4 pot fi utilizate pentru aplicarea niturilor oarbe între Ø4,0mm și Ø6,4mm. Consultați tabelul de la pagina 10 pentru o listă a tuturor niturilor care pot fi aplicate.

Respectați întotdeauna instrucțiunile de siguranță de la paginile 2 și 4.

**NU** utilizați în condiții de umezeală sau în prezența lichidelor sau a gazelor inflamabile.

### 2.1 SPECIFICAȚIILE UNELTEI

	XT3		XT4	
<b>Forță de tragere:</b> @ 5,5 bar	17,0 kN	3822 lbf	23,0 kN	5193 lbf
<b>Presiune alimentare cu aer:</b> Min. la Max.	5,0 - 7,0 bari	72,5 - 101,5 lbf/in <sup>2</sup>	5,0 - 7,0 bari	72,5 - 101,5 lbf/in <sup>2</sup>
<b>Presiune ulei:</b> Tragere @ 5,5 bar	290 bar	4206 lbf/in <sup>2</sup>	395 bar	5729 lbf/in <sup>2</sup>
<b>Cursă:</b> Cursă minimă a pistonului	26,0 mm	1,02 in.	18,0 mm	0,91 in.
<b>Greutate:</b> Inclusiv vârful	2,24 kg	4,94 lb	2,26 kg	4,98 lb
<b>Greutate:</b> fără echipament pentru vârful	2,00 kg	4,41 lb	2,02 kg	4,41 lb
<b>Volum de aer liber:</b> @ 5,5 bar	6,3 ltr	384,4 in <sup>3</sup>	6,3 ltr	384,4 in <sup>3</sup>
<b>Ciclu de timp:</b> Aproximativ	0,9 secunde		1,0 secunde	

Valorile zgomotului determinate conform codului de testare a zgomotului ISO 15744 și ISO 3744.		XT3	XT4
Nivel de putere sonor cu pondere A dB (A), L <sub>WA</sub>	Zgomot nedeterminat: k <sub>WA</sub> = 3,0 dB(A)	90,3 dB(A)	89,7 dB(A)
Nivelul presiunii sonore cu emisie cu pondere A la stația de lucru dB (A), L <sub>PA</sub>	Zgomot nedeterminat: k <sub>PA</sub> = 3,0 dB(A)	79,3 dB(A)	78,7 dB(A)
Nivelul presiunii sonore cu emisie maximă cu pondere C dB(C), L <sub>PC</sub> , vârf	Factor de incertitudine la măsurarea zgomotului: k <sub>PC</sub> = 3,0 dB(C)	82,7 dB(C)	81,5 dB(A)

Valorile vibrațiilor determinate conform codului de testare a vibrațiilor ISO 20643 și ISO 5349.		XT3	XT4
Nivelul emisiilor de vibrații, a <sub>hd</sub>		1,41 m/s <sup>2</sup>	1,80 m/s <sup>2</sup>
Factor de incertitudine la măsurarea vibrațiilor: k		0,70 m/s <sup>2</sup>	0,90 m/s <sup>2</sup>
Valorile declarate ale emisiilor de vibrații în conformitate cu EN 12096			

## 2.2 SPECIFICAȚII DE APLICARE

Tipul de nit	Diamentru nit mm [inci]										
	4 [5/32]	4,3	4,8 [3/16]	6	6,4 [1/4]	7	8	9	10	11	12
Capăt deschis	●*		●**		●						
Capăt închis	●*		●**		●						
HR	●*		●		●						
HS					● (3)						
Multi-Grip	●*		●**		●						
TL	●*		●								
T-Rivet (Emhart)	●*		●		●						
Self-Pluggger	●*		●		●						
Ultra Grip (UG) (NPR)					⊗ (3)						
CD					● (3)						
Avex <sup>®</sup>	● (2)		● (2)		● (2)						
Stavex <sup>®</sup>	● (2)		● (2)		● (1)(3)						
Avinox <sup>®</sup> / Avibulb <sup>®</sup>	● (2)		● (2)	● (2)							
Avinox <sup>®</sup> XT / Avibulb <sup>®</sup> XT					● (1)(3)						
LSR/Bulbex <sup>®</sup>	● (2)		● (2)								
T-Lok <sup>®</sup>		● (2)	● (2)								
Avdel <sup>®</sup> SR	● (2)		● (2)		● (2)						
Hemlok <sup>®</sup>					● (1)(3)						
Interlock <sup>®</sup>			⊗ (2)		⊗ (1)(3)						
Maxlok <sup>®</sup>			● (3)		⊗ (3)						
Monobolt <sup>®</sup>			⊗ (1)(2)		⊗ (1)(3)						
Avtainer <sup>®</sup>									⊗ (1)(3)		
Avseal <sup>®</sup> (STD)				● (1)(3)		● (1)(3)	● (1)(3)	● (1)(3)	⊗ (1)(3)		
Avseal <sup>®</sup> (Presă redușă)							● (1)(3)	● (1)(3)	● (1)(3)	⊗ (1)(3)	⊗ (1)(3)
Q Rivet	● (2)		● (2)		● (2)						
T Rivet (Avdel)			● (1)(2)		● (1)(2)						
Avdelmate <sup>®</sup>			● (2)		● (2)						
Klamp-Tite <sup>®</sup> BAPK			⊗ (2)		⊗ (2)						
Klamp-Tite <sup>®</sup> BAPKTR			⊗ (1)(2)		⊗ (1)(2)						
Avdelok <sup>®</sup>			● (3)		⊗ (3)						

\* Folosiți fălcile PRG540-46 și ansamblul împingătorului de falcă FAN276-064

\*\* Folosiți fălcile PRG540-46.

● Este aplicabil pentru unealta XT3 și XT4

⊗ Este aplicabil numai pentru unealta XT3

⊗ Este aplicabil numai pentru unealta XT4

(1) Piesă pentru vârf non-standard este necesară

(2) Echipament alternativ pentru vârf este disponibil

(3) Echipament non-standard pentru vârf este necesar.

Pentru o listă completă a echipamentelor pentru vârf compatibile pentru fiecare tip de nit, împreună cu instrucțiunile de asamblare și de întreținere, vă rugăm să consultați manualul echipamentului pentru vârf ProSet® 07900-09414

### 2.3 CONȚINUTUL PACHETULUI

- 1 pistol de nituit ProSet® XT3 or XT4.
- 1 set de echipament standard pentru vârf și piese pentru vârf pentru nituri de 4,8mm [3/16"] și 6,4mm [1/4"].
- 1 manual de instrucțiuni imprimat – în funcție de regiune.

### 2.4 LISTA PRINCIPALELOR COMPONENTE

Consultați figura 1 și 2 și tabelul de mai jos.

Articol	Numărul piesei	Descriere	Cant
1	76003-15000*	Echipament standard pentru vârf	1
2	76003-02022	Cârlig de suspendare	1
3	76003-05200	Colector de tije	1
4	07001-00405	Bușon de ulei	1
5	07003-00194	Garnitură	1
6	76003-02008	Declanșator	1
7	76003-03700	Supapă de pornire/oprire	1
8	71210-02103	Piulița de închidere	1

### 2.5 ECHIPAMENT STANDARD PENTRU VÂRF

Consultați figura 2 și tabelul de mai jos.

Articol	Numărul piesei	Descriere	Cant
1c	PRN614	Piesă pentru vârf - 4,8mm [3/16"] (Montată)	1
1d	PRN811	Piesă pentru vârf - 6,4mm [1/4"]	1
1e	76003-15001	Carcasă vârf	1
1f	07003-00067	Inel de etanșare	1
1g	DPN276-001	Ghidaj falcă	1
1h	PRG540-44	Fălci	1 set
1i	DPN276-006	Împingător falcă	1
1j	DPN900-060	Inel de etanșare	1
1k	DPN901-019	Arc împingător falcă	1
1l	76003-15002	Cap de tragere	1
1m	76003-15004	Blocaj ghidaj falcă	1
1n	DPN901-020	Arc	1
1o	76003-15003	Adaptor cap de tragere	1
1p	07003-00277	Inel de etanșare	1

Pentru vârfuri suplimentare, consultați Manualul echipamentului pentru capurile de unelte ProSet® 07900-09414 sau accesați [www.stanleyengineeredfastening.com/resource-center/document-library](http://www.stanleyengineeredfastening.com/resource-center/document-library)

Pentru o listă completă de accesorii ale altei, vă rugăm să consultați manualul de accesorii ProSet 07900-09415.

\* Echipamentul pentru vârf nu este furnizat cu instrumentul de bază Proset XT3 (76003-01000) și instrumentul de bază Proset XT4 (76004-01000).

### 3. CONFIGURAREA UNELTEI

**IMPORTANT - CITIȚI CU ATENȚIE AVERTIZĂRILE DE SIGURANȚĂ DE LA PAGINILE 6 ȘI 8, ÎNAINTE DE PUNEREA ÎN FUNCȚIUNE A UNELTEI.**

**IMPORTANT - ALIMENTAREA CU AER TREBUIE OPRITĂ SAU DECONECTATĂ, ÎNAINTE DE MONTAREA SAU DEMONTAREA CAPULUI.**

#### 3.1 ECHIPAMENT VÂRF (Cons. fig. 2)

Numererele de articol cu caractere aldine se referă la componentele din figurile 1 și 2 și tabelele de la pagina 11. Unealta completă va fi livrată pre-asamblată cu piesa pentru vârful pentru nituri de 4,8mm [3/16"]. O piesă suplimentară de vârf pentru nituri de 6.4mm [1/4"] este furnizată separat.

##### Montarea vârfului

- Alimentarea cu aer trebuie deconectată.
- Selectați piesa pentru vârf corectă pentru nitul de instalat.
- Demontați carcasa vârfului (**1e**), incluzând piesa pentru vârf (**1a, b, c sau d**) și inelul de etanșare (**1f**)
- Demontați piesa pentru vârf (**1a, b, c sau d**) din carcasa vârfului (**1e**)
- Selectați dimensiunea corectă a piesei pentru vârf și asamblați în ordine inversă.

##### Demontarea completă a echipamentului pentru capul uneltei.

- Alimentarea cu aer trebuie deconectată.
- Demontați carcasa vârfului (**1e**), incluzând piesa pentru vârf (**1a,b,c sau d**) și inelul de etanșare (**1f**) din unealtă.
- Trageți înapoi de blocarea ghidajului fălcii (**1m**) spre arc (**1n**) și apoi scoateți ghidajul fălcii (**1g**).
- Scoateți fălcile (**1h**) din ghidajul fălcii (**1g**).
- Scoateți împingătorul fălcii (**1i**), inelul de etanșare (**1j**) și arcul de la împingătorul fălcii (**1k**) din capul de tragere (**1l**).
- Scoateți ansamblul capului de tragere (**1q**) din pistonul sculei folosind o cheie

##### Montarea completă a echipamentului pentru vârf

- Alimentarea cu aer trebuie deconectată
- Orice piesă uzată sau deteriorată trebuie înlocuită.
- Curățați și verificați uzura fălcilor (**1h**).
- Asigurați-vă că împingătorul fălcii (**1i**) sau arcul elementului de împingere al fălcii (**k**) nu sunt deformate.
- Ungeți puțin fălcile (**1h**) cu vaselină cu litiu.
- Puneți fălcile (**1h**) în ghidajul fălcii (**1g**).
- Introduceți împingătorul fălcii (**1i**) și inelul de etanșare (**1j**) în capul de tragere (**1l**).
- Trageți de blocarea ghidajului fălcii (**1m**) și înfiletați ghidajul fălcii (**1g**) complet în capul de tragere (**1l**).
- Eliberați dispozitivul de blocare a ghidajului fălcii (**1m**) și apoi deșurubați parțial ghidajul fălcii (**1g**) până când blocarea pentru ghidajul fălcii (**1m**) se fixează în următorul canal de pe ghidajul fălcii (**1g**).
- Puneți ghidajul pentru vârf (**1e**) peste ghidajul fălcii (**1g**) și strângeți-le complet pe unealtă.

Ansamblurile vârfului trebuie să fie întreținute la intervale de o săptămână. Ar trebui să aveți un stoc pentru toate componentele interne ale ansamblului pentru vârf și elemente pentru vârf, deoarece acestea necesită înlocuirea regulată.

#### 3.2 ALIMENTAREA CU AER (Vezi fig. 3)

Componente

- Robinet de închidere (utilizat în timpul operațiunilor de întreținere a filtrului/regulatorului sau de lubrifiere)
- Regulator de presiune și filtru (golire zilnică)
- Punct principal de golire de la rețeaua de alimentare
- Punct de preluarea de la rețeaua de alimentare

- Toate uneltele funcționează cu aer comprimat furnizat la o presiune minimă de 5,0 bari.
- Regulatele de presiune și sistemele automate de ungere/filtrare pentru sursa de aer trebuie să se afle la o distanță de 3 metri de unealtă (consultați fig. 3).
- Furtunurile de alimentare cu aer vor avea o presiune minimă de lucru efectivă de 150% din presiunea maximă produsă în sistem sau 10 bar, oricare dintre acestea este mai mare.
- Furtunurile de aer trebuie să fie rezistente la ulei, să aibă o suprafață exterioră rezistentă la abraziune și să fie armate, în cazul în care condițiile de utilizare pot duce la deteriorarea acestora.
- Toate furtunurile de aer TREBUIE să aibă un diametru minim de 6,4 milimetri.
- Verificați să nu existe pierderi de aer. Dacă sunt deteriorate, înlocuiți furtunurile și conectorii cu unele(ii) noi.
- Dacă regulatorul de presiune nu este dotat cu filtru, purjați conducta de aer pentru a elimina mizeria acumulată sau apa înainte de conecta furtunul la unealtă.

### 3.3 PRINCIPIUL DE FUNCȚIONARE

**ATENȚIE - PENTRU FUNCȚIONAREA CORECTĂ A UNELTEI ESTE FOARTE IMPORTANTĂ ASIGURAREA UNEI PRESIUNI CORESPUNZĂTOARE. ECHIPAMENTUL SE POATE DEFECTA ȘI POT SĂ APARĂ VĂTĂMĂRI CORPORALE DACĂ NU SE FOLOSESC PRESIUNILE CORECTE. PRESIUNEA NU TREBUIE SĂ DEPĂȘEASCĂ VALOAREA NOMINALĂ INDICATĂ ÎN SPECIFICAȚIILE UNELTEI**

Numererele de articol cu caractere aldine se referă la componentele din figurile 1 și 2 și tabelele de la pagina 11.

Atunci când furtunul pneumatic este racordat la unealtă, ciclurile de tur și retur sunt controlate prin apăsarea și eliberarea de declanșatorului (6) amplasat în mâner.

- Sursa de aer este deconectată.
- Conectați echipamentul pentru vârf corespunzător, așa cum s-a descris la pagina 10 și 12.
- Conectați furtunul pneumatic la supapa de pornire/oprire a aerului (7).
- Conectați furtunul pneumatic de alimentare cu aer.
- Porniți alimentarea de la rețeaua de aer la unealtă prin glisarea supapei de pornire/oprire (7) în sus.
- Unealta este alimentată cu aer, iar sistemul de vid este în funcțiune.
- Trageți și eliberați declanșatorul (6), de câteva ori la cursa completă a unelei, pentru a verifica funcționarea. Observați acțiunea unelei. Verificați dacă există pierderi de ulei și/sau aer.



## 4. PROCEDURA DE UTILIZARE

### 4.1 OPERAREA UNELTEI (Cons. fig. 1, 4, 5, 6)

#### Instalarea unui nit

- Asigurați-vă că colectorul de tije (3) este montat.
- Introduceți tija nitului în vârf (1a, b, c sau d). Sistemul de vacuum va menține nitul în piesa pentru vârf.
- Poziționați unealta.
- Asigurați-vă că echipamentul pentru vârf este în unghi drept (90°) cu suprafața de lucru.
- Apăsăți și țineți apăsat declanșatorul (6) până când nitul este complet poziționat în piesa de aplicație.
- După ce nitul a fost montat complet, eliberați declanșatorul (6). Unealta va reveni automat la poziția inițială. Tija este eliminată automat în colectorul de tije (3) prin sistemul de vacuum.
- Colectorul de tije trebuie golit înainte de a fi pe jumătate plin.

**ATENȚIE –NU FORȚAȚI INTRODUCEREA TIJEI NITULUI SAU A CORPULUI NITULUI. SE VOR DETERIORA UNEALTA ȘI/SAU APLICAȚIA.**

### 4.2 Golirea colectorului de tije (W) (Vezi fig. 1)

#### ATENȚIE- NU FOLOSIȚI UNEALTA CÂND COLECTORUL DE TIJE ESTE ÎNDEPĂRTAT

- Unealta este echipată cu un colector de tije cu conectare eliberare rapidă (3).
- O rotație de 60° îndepărtează sau înlocuiește colectorul de tije.
- Demontarea colectorului de tije (3) din unealtă OPREȘTE automat sistemul de menținere cu vacuum a nitului și sistemul de extragere a tijeii.
- Remontarea colectorului de tije pornește sistemul de vid.

## 5. ÎNTREȚINEREA UNELTEI

### 5.1 FRECVENȚA DE ÎNTREȚINERE

Operațiunile de întreținere regulată trebuie efectuate numai de personal instruit și trebuie efectuată o verificare completă anual sau la fiecare 500.000 de cicluri, oricare dintre aceste situații apare prima.



DECONECTAȚI SURSA DE AER



**ATENȚIE** - Nu utilizați niciodată solvenți sau alte produse chimice puternice pentru curățarea componentelor nemetalice ale uneltei.

Aceste produse chimice pot deprecia materialele utilizate în aceste componente.

### 5.2 ECHIPAMENT PENTRU CAPUL UNELTEI

Ansamblurile pentru vârf trebuie să fie întreținute la intervale de o săptămână sau la fiecare 5.000 de cicluri. Păstrați un stoc pentru toate componentele interne ale ansamblului pentru vârf și elemente pentru vârf, deoarece acestea necesită înlocuirea regulată.

- Deconectați sursa de aer
- Demontați întreg ansamblul vârfului, utilizând procedura descrisă la secțiunea 3.1.
- Verificați toate componentele. Orice componente uzate sau deteriorate trebuie înlocuite cu unele noi.
- În special, verificați uzura fălcilor (**1h**).
- Curățați toate piesele și aplicați unsoare de litiu (07992-00020) la fălci (**1h**) și la orificiul conic de la ghidajul fălcii (**1g**).
- Asamblați unealta conform instrucțiunilor de asamblare din secțiunea 3.1.

### 5.3 ÎNTREȚINEREA ZILNICĂ

- Înainte de utilizare, verificați unealta, furtunul și conectorii pentru a detecta eventualele pierderi de aer sau ulei. Dacă este defectă, scoateți unealta din funcțiune și înlocuiți piesele afectate cu unele noi.
- Dacă regulatorul de presiune nu este dotat cu filtru, purjați conducta de aer pentru a elimina mizeria acumulată sau apa înainte de conecta furtunul la unealtă. Dacă există un filtru, goliți-l.
- Verificați dacă echipamentul pentru vârf (**1**) este corect pentru nitul care urmează să fie introdus și dacă acesta este montat corect.
- Verificați dacă cursa uneltei îndeplinește specificațiile minime (cons. 2.1).
- Colectorul de tije (**3**) trebuie montat pe unealtă.
- Verificați dacă camera de aer este complet strânsă pe corpul mașinii.

### 5.4 ÎNTREȚINEREA SĂPTĂMÂNALĂ

- Înainte de utilizare, verificați unealta, furtunul și conectorii pentru a detecta eventualele pierderi de aer sau ulei. Dacă este defectă, scoateți unealta din funcțiune și înlocuiți piesele afectate cu unele noi.

Pentru întreținerea completă, instrucțiuni de depanare și întreținere, vă rugăm să consultați manualul de service nr. 07900-09410 pentru XT3 și 07900-09411 pentru XT4.

Pentru datele de siguranță corespunzătoare unsoarei și uleiului folosite la această unealtă, vă rugăm să consultați manualul de service nr. 07900-09410 pentru XT3 și 07900-09411 pentru XT4.

### 5.5 PROTECȚIA MEDIULUI

Asigurați conformitatea cu reglementările aplicabile privind eliminarea. Eliminați toate deșeurile la o unitate sau locație aprobată pentru a nu expune personalul și mediul la pericole.

## 6. DECLARAȚIE DE CONFORMITATE CE

Noi, **Stanley Engineered Fastening, Stanley House, Works Road, Letchworth Garden City, Hertfordshire, SG6 1JY MAREA BRITANIE**, declarăm pe proprie răspundere că produsul:

**Descriere:**

**Unelte hidro-pneumatice ProSet® XT3 și ProSet® XT4 pentru nituit**

**Model:**

**POP-Avdel® / 76003 și POP-Avdel® / 76004**

la care face referire această declarație, este conform cu următoarele standarde armonizate:

ISO 12100:2010	ISO 3744:2010
ISO 11202:2010	EN ISO 11148-1:2011
ISO 4413:2010	BS EN 28662-1:1993
ISO 4414:2010	EN ISO 20643:2008+A1:2012
EN ISO 28927-5:2009+A1:2015	ES100118-rev 17:2017

Documentația tehnică este alcătuită în conformitate cu Anexa 1, secțiunea 1.7.4.1., în conformitate cu următoarea directivă:

### **2006/42/CE Directiva privind echipamentele tehnice**

(Instrumente Statutare 2008, nr. 1597 - Reglementări (de siguranță) privind furnizarea ) utilajelor.

Subsemnatul face această declarație în numele STANLEY Engineered Fastening.



**A. K. Seewraj**

**Director tehnic, UK**

Avdel UK Limited, Stanley House, Works Road, Letchworth Garden City, Hertfordshire,  
SG6 1JY MAREA BRITANIE

**Locul emiterii:**

**Letchworth Garden City, UK**

**Data emiterii:**

**01-13-2017**

Subsemnatul este responsabil pentru întocmirea dosarului tehnic pentru produsele comercializate în Uniunea Europeană și face această declarație în numele Stanley Engineered Fastening.

**Matthias Appel**

**Coordonator Documentație tehnică**

Stanley Engineered Fastening, Tucker GmbH, Max-Eyth-Str.1,  
35394 Gießen, Germania



**Acest echipament este conform cu  
Directiva privind utilajele 2006/42/CE**

## 7. DECLARAȚIE DE CONFORMITATE UK

Noi, **Stanley Engineered Fastening, Stanley House, Works Road, Letchworth Garden City, Hertfordshire, SG6 1JY MAREA BRITANIE**, declarăm pe proprie răspundere că produsul:

**Descriere:** Unelte hidro-pneumatice ProSet® XT3 și ProSet® XT4 pentru nituit  
**Model:** POP-Avdel® / 76003 și POP-Avdel® / 76004

la care face referire această declarație, este conform cu următoarele standarde specificate:

ISO 12100:2010	ISO 3744:2010
ISO 11202:2010	EN ISO 11148-1:2011
ISO 4413:2010	BS EN 28662-1:1993
ISO 4414:2010	EN ISO 20643:2008+A1:2012
EN ISO 28927-5:2009+A1:2015	ES100118-rev 17:2017

Documentația tehnică este realizată în conformitate cu Regulamentul privind furnizarea de echipamente tehnologice (siguranță) 2008, SI 2008/1597 (cu modificările ulterioare).

Subsemnatul face această declarație în numele STANLEY Engineered Fastening.



**A. K. Seewraj**  
**Director tehnic, UK**

Avdel UK Limited, Stanley House, Works Road, Letchworth Garden City, Hertfordshire,  
 SG6 1JY MAREA BRITANIE

**Locul emiterii:** Letchworth Garden City, UK  
**Data emiterii:** 01-13-2017



Acest dispozitiv este în conformitate cu  
 Regulamentul privind furnizarea de mașini  
 (siguranță) 2008,  
 S.I. 2008/1597 (cu modificările ulterioare)

## 8. PROTEJAȚI-VĂ INVESTIȚIA!

### 8.1 **GARANȚIA PISTOLULUI DE NITUIT POP®AVDEL®**

STANLEY Engineered Fastening garantează că toate uneltele electrice au fost fabricate cu grijă și că nu prezintă defecte de material și de manoperă în utilizarea normală pentru o perioadă de un (1) an.

Această garanție este valabilă de la data achiziției uneltei și doar în cazul utilizării conform specificațiilor.

#### **Excluderi:**

##### **Uzura și deteriorarea în condiții normale.**

Întreținerea periodică, reparațiile și înlocuirea pieselor datorită uzurii și deteriorării normale sunt excluse din această garanție.

##### **Abuzul și neglijența.**

Defectele sau deteriorările care apar în urma unei operări inadecvate, depozitări inadecvate, accident, abuz sau neglijență sunt excluse din această garanție.

##### **Servisarea sau modificările neautorizate.**

Defectele sau deteriorările care rezultă din servisare, testarea de reglaje, instalare, întreținere, transformare sau modificare în orice fel de către oricine în afară de STANLEY Engineered Fastening, sau de centrele sale autorizate de service, sunt excluse din această garanție.

Toate celelalte garanții, indiferent dacă sunt explicite sau implicite, inclusiv garanțiile de vandabilitate sau adecvare pentru un anumit scop sunt excluse din această garanție.

În cazul în care această unealtă se defectează în termenul și condițiile garanției, returnați imediat unealta către cel mai apropiat centru autorizat de service. Pentru lista centrelor de service autorizate POP®Avdel® din SUA sau Canada, contactați-ne la numărul de telefon gratuit (877)364 2781.

În afara SUA și Canada, accesați site-ul nostru web

**[www.StanleyEngineeredFastening.com](http://www.StanleyEngineeredFastening.com)** pentru a găsi cea mai apropiată locație STANLEY Engineered Fastening.

STANLEY Engineered Fastening va înlocui, fără costuri suplimentare, orice piesă sau orice piese care sunt identificate ca fiind defecte datorită materialului sau manoperei și va returna unealta către client. Aceasta reprezintă obligația noastră în baza acestei garanții.

În nicio eventualitate, STANLEY Engineered Fastening nu poate fi considerat responsabil pentru orice pagube convenționale sau speciale care intervin în urma achiziționării sau utilizării acestei unelte.

### 8.2 **ÎNREGISTREAZĂ-ȚI ON-LINE UNEALTA PENTRU NITURI.**

Pentru înregistrarea online a garanției, accesați

<http://www.stanleyengineeredfastening.com/popavdel-powertools/warranty-card>.

Vă mulțumim că ați ales o unealtă marca POP®Avdel® de la STANLEY Engineered Fastening.

©2017 Stanley Black & Decker inc.

Все права защищены.

Предоставленная информация запрещена к воспроизведению и опубликованию любым способом (электронным и механическим) без предварительного разрешения компании STANLEY Engineered Fastening в письменной форме. Предоставленная информация основана на известных данных на момент выпуска продукта. Компания STANLEY Engineered Fastening соблюдает политику постоянного улучшения изделий, поэтому в дальнейшем изделия могут быть модифицированы. Предоставленная информация относится к поставляемой компанией STANLEY Engineered Fastening продукции. Поэтому компания STANLEY Engineered Fastening не может нести ответственности за убытки и повреждения вследствие внесения изменений в исходные спецификации.

Информация была тщательным образом собрана и отобрана. Тем не менее, компания STANLEY Engineered Fastening не несет ответственности за ошибки в данной информации и их последствия. Компания STANLEY Engineered Fastening не несет ответственности за повреждения вследствие действий третьих лиц. В соответствии с законодательством по защите товарных знаков рабочие названия, товарные знаки, зарегистрированные товарные знаки и т. п., используемые компанией STANLEY Engineered Fastening, не должны рассматриваться как бесплатные.

## СОДЕРЖАНИЕ

<b>1.</b>	<b>ОПРЕДЕЛЕНИЯ БЕЗОПАСНОСТИ .....</b>	<b>2</b>
1.1	ОБЩАЯ БЕЗОПАСНОСТЬ .....	2
1.2	РИСК ЛЕТАЮЩИХ ПРЕДМЕТОВ.....	3
1.3	РИСКИ, СВЯЗАННЫЕ С ЭКСПЛУАТАЦИЕЙ.....	3
1.4	РИСКИ, СВЯЗАННЫЕ С ПОВТОРЯЮЩИМИСЯ ДВИЖЕНИЯМИ.....	3
1.5	РИСКИ, СВЯЗАННЫЕ С ПРИНАДЛЕЖНОСТЯМИ .....	3
1.6	РИСКИ НА РАБОЧЕМ МЕСТЕ .....	4
1.7	РИСКИ, СВЯЗАННЫЕ С ШУМОМ .....	4
1.8	РИСКИ, СВЯЗАННЫЕ С ВИБРАЦИЕЙ.....	4
1.9	ДОПОЛНИТЕЛЬНЫЕ ПРАВИЛА ТЕХНИКИ БЕЗОПАСНОСТИ ДЛЯ ПНЕВМАТИЧЕСКИХ ИНСТРУМЕНТОВ ..4	
<b>2.</b>	<b>СПЕЦИФИКАЦИИ.....</b>	<b>5</b>
2.1.	ХАРАКТЕРИСТИКИ ИНСТРУМЕНТА .....	5
2.2	ТЕХНИЧЕСКИЕ ХАРАКТЕРИСТИКИ УСТАНОВКИ .....	6
2.3	КОМПЛЕКТ ПОСТАВКИ.....	7
2.4	ПЕРЕЧЕНЬ СОСТАВЛЯЮЩИХ ЧАСТЕЙ .....	7
2.5	СТАНДАРТНОЕ НОСОВОЕ ОБОРУДОВАНИЕ .....	7
<b>3.</b>	<b>ПОДГОТОВКА ИНСТРУМЕНТА К ЭКСПЛУАТАЦИИ .....</b>	<b>8</b>
3.1	НОСОВОЕ ОБОРУДОВАНИЕ (см. рис. 2) .....	8
3.2	ПОДАЧА ВОЗДУХА (см. рис. 3.) .....	8
3.3	ПРИНЦИП РАБОТЫ .....	9
<b>4.</b>	<b>ПОРЯДОК ЭКСПЛУАТАЦИИ.....</b>	<b>10</b>
4.1	ЭКСПЛУАТАЦИЯ ИНСТРУМЕНТА (см. рис. 1, 4, 5, 6) .....	10
4.2	ОПУСТОШЕНИЕ КОЛЛЕКТОРА СЕРДЕЧНИКОВ ЗАКЛЕПОК (см. рис. 1).....	10
<b>5.</b>	<b>ОБСЛУЖИВАНИЕ ИНСТРУМЕНТА.....</b>	<b>11</b>
5.1	ЧАСТОТА ТЕХНИЧЕСКОГО ОБСЛУЖИВАНИЯ.....	11
5.2	НОСОВОЕ ОБОРУДОВАНИЕ .....	11
5.3	ЕЖЕДНЕВНОЕ ОБСЛУЖИВАНИЕ .....	11
5.4	ЕЖЕНЕДЕЛЬНОЕ ОБСЛУЖИВАНИЕ .....	11
5.5	ЗАЩИТА ОКРУЖАЮЩЕЙ СРЕДЫ.....	11
<b>6.</b>	<b>ЗАЯВЛЕНИЕ О СООТВЕТСТВИИ НОРМАМ ЕС .....</b>	<b>12</b>
<b>7.</b>	<b>ЗАЯВЛЕНИЕ О СООТВЕТСТВИИ НОРМАМ СОЕДИНЕННОГО КОРОЛЕВСТВА .....</b>	<b>13</b>
<b>8.</b>	<b>ЗАЩИТИТЕ СВОИ ВЛОЖЕНИЯ!.....</b>	<b>14</b>
8.1	ГАРАНТИЯ НА ЗАКЛЕПОЧНИК ДЛЯ ПОТАЙНЫХ ЗАКЛЕПОК POP® AVDEL® .....	14
8.2	ЗАРЕГИСТРИРУЙТЕ ИНСТРУМЕНТ ДЛЯ ПОТАЙНЫХ ЗАКЛЕПОК В ИНТЕРНЕТЕ.....	14



Перед введением данного инструмента в эксплуатацию необходимо прочесть настоящее руководство пользователя, обращая особое внимание на технику безопасности.



Всегда используйте ударостойкие защитные очки при работе с инструментом. Степень необходимой защиты надо оценивать для каждого использования.



Используйте средства защиты органов слуха согласно инструкциям работодателя и правилам охраны труда и техники безопасности.



Использование инструмента может подвергнуть руки оператора опасностям, например раздроблению, ударам, порезам, ссадинам и нагреву. Надевайте подходящие перчатки для защиты рук.

## 1. ОПРЕДЕЛЕНИЯ БЕЗОПАСНОСТИ

Ниже описывается уровень опасности, обозначаемый каждым из предупреждений. Прочитайте руководство и обратите внимание на эти символы.



**ОПАСНО!** Обозначает опасную ситуацию, которая неизбежно приведет к серьезной травме или смертельному исходу в случае несоблюдения соответствующих мер безопасности.



**ОСТОРОЖНО!** Означает потенциально опасную ситуацию, которая может привести к летальному исходу или тяжелым травмам.



**ВНИМАНИЕ!** Указывает на потенциально опасную ситуацию, которая может стать причиной травмы средней или высокой степени тяжести в случае несоблюдения соответствующих мер безопасности.

**ВНИМАНИЕ!** При использовании без условного обозначения указывает на потенциально опасную ситуацию, которая в случае несоблюдения соответствующих мер безопасности может привести к повреждению оборудования.

**Неправильное обращение или обслуживание данного продукта может привести к серьезным травмам и повреждению имущества.**

**Перед началом эксплуатации данного инструмента необходимо прочесть все предупреждения и инструкции по эксплуатации. При использовании механических инструментов необходимо соблюдать основные меры предосторожности, чтобы избежать риска травм.**

**СОХРАНИТЕ ВСЕ ПРЕДУПРЕЖДЕНИЯ И ИНСТРУКЦИИ ДЛЯ ДАЛЬНЕЙШЕГО ИСПОЛЬЗОВАНИЯ**

### 1.1 ОБЩАЯ БЕЗОПАСНОСТЬ

- Прочитайте и усвойте все правила техники безопасности касательно всех рисков перед установкой, эксплуатацией, ремонтом, техническим обслуживанием, заменой дополнительных принадлежностей или работой рядом с инструментом. Несоблюдение данного требования может привести к серьезной травме.
- Установкой, регулировкой и эксплуатацией инструмента должны заниматься только квалифицированные и обученные операторы.
- Данный инструмент разрешается использовать только для установки потайных заклепок STANLEY Engineered Fastening.
- Совместно с данным инструментом разрешается использовать только части, крепежные элементы и аксессуары, рекомендованные производителем.
- ЗАПРЕЩАЕТСЯ вносить какие-либо изменения в конструкцию инструмента. Изменения могут снизить эффективность мер безопасности и повысить риски для оператора. Любое внесение изменений в конструкцию инструмента, выполненное клиентом самостоятельно, является ответственностью клиента и аннулирует настоящую гарантию.
- Не выбрасывайте правила техники безопасности; передайте их оператору.
- Не используйте инструмент, если он поврежден.
- Перед использованием проверьте, нет ли заклинивания движущихся деталей, нет ли повреждения деталей и других условий, которые повлияют на работу инструмента. В случае обнаружения повреждений, прежде чем приступить к эксплуатации инструмента, его нужно отремонтировать. Перед эксплуатацией снимите регулировочные или гаечные ключи.
- Инструменты следует периодически проверять на сохранность и читаемость значений и маркировок, требуемых данной частью ISO 11148. При необходимости замены этикеток с маркировками, сотрудник/пользователь должен обратиться за запасными к производителю.
- Для обеспечения правильной работы инструмента обученный персонал должен осуществлять своевременное обслуживание и проверку состояния инструмента. Любые работы по демонтажу устройств должен выполнять только соответствующим образом обученный персонал. Запрещается разбирать устройство без ознакомления с инструкциями по обслуживанию.

## **1.2 РИСК ЛЕЯЩИХ ПРЕДМЕТОВ**

- Перед выполнением каких-либо операций по обслуживанию инструмента или его регулировке или снятием носового оборудования отсоедините шланг подачи воздуха или снимите носовое оборудование или дополнительные принадлежности.
- Имейте в виду, что поломка заготовки или дополнительной принадлежности или даже самого вставленного инструмента может привести к появлению высокоскоростных летящих предметов.
- Всегда используйте ударостойкие защитные очки при работе с инструментом. Степень необходимой защиты надо оценивать для каждого использования.
- Также необходимо оценить риски для окружающих.
- Убедитесь, что заготовка надежно закреплена.
- Убедитесь, что средства защиты от выброса крепежного элемента и/или сердечника установлены на место и находятся в рабочем состоянии.
- ЗАПРЕЩАЕТСЯ эксплуатировать инструмент со снятым коллектором сердечников заклепок.
- Предупреждайте возможный выброс сердечника из передней части инструмента.
- НЕ направляйте рабочий инструмент на людей.

## **1.3 РИСКИ, СВЯЗАННЫЕ С ЭКСПЛУАТАЦИЕЙ**

- Использование инструмента может подвергнуть руки оператора опасностям, например раздроблению, ударам, порезам, ссадинам и нагреву. Надевайте подходящие перчатки для защиты рук.
- Операторы и технический персонал должны быть физически способны справиться с размером, массой и мощностью инструмента.
- Правильно удерживайте инструмент, будьте готовы противодействовать нормальным или внезапным движениям и действуйте обеими руками.
- Следите за тем, чтобы ручки инструмента были сухими, чистыми и не испачканными маслом и смазочными материалами.
- Сохраняйте устойчивое положение тела и крепко стойте на ногах при работе с инструментом.
- Отпустите пусковое устройство при перебое пневматического питания.
- Используйте только смазки типов, рекомендованных производителем.
- Контакт с гидравлической жидкостью следует избегать. Чтобы свести к минимуму возможность высыпания, тщательно промойте место в случае попадания на кожу.
- Паспорта безопасности материалов для всех гидравлических жидкостей и смазок можно запросить у поставщика инструмента.
- Избегайте нахождения в неподходящих позах, так как они, скорее всего, не позволят противодействовать нормальному или неожиданному движению инструмента.
- Если инструмент закреплён на подвеске, убедитесь в надёжности крепления.
- Учитывайте риск раздробления или защемления, если оборудование держателя не установлено.
- ЗАПРЕЩАЕТСЯ эксплуатировать инструмент со снятым корпусом носика.
- Перед началом работы с инструментом убедитесь, что в месте работы достаточно пространства для рук оператора.
- При переносе инструмента с одного места на другое соблюдайте осторожность, чтобы случайно не нажать на спусковой механизм инструмента.
- Относитесь к устройству бережно. Не роняйте и не используйте его вместо молотка.
- Следите за тем, чтобы сердечники заклепок не создавали опасности.
- Коллектор сердечников заклепок необходимо опустошать, когда он заполнился приблизительно на половину.

## **1.4 РИСКИ, СВЯЗАННЫЕ С ПОВТОРЯЮЩИМИСЯ ДВИЖЕНИЯМИ**

- При использовании инструмента, оператор может ощутить дискомфорт ладоней, рук, плеч, шеи или других частей тела.
- При использовании инструмента, оператору следует принять удобное положение, при этом твердо стоя на ногах и избегая неудобных или неустойчивых поз. Оператору следует менять позу во время продолжительной работы, так как это может помочь предотвратить дискомфорт и усталость.
- Если оператор испытывает постоянный или периодический дискомфорт, боль, пульсацию, гудение, покалывание, жжение или скованность, то эти предупредительные сигналы не следует игнорировать. Оператор должен доложить об этом работодателю и обратиться за помощью к квалифицированному медицинскому работнику.

## **1.5 РИСКИ, СВЯЗАННЫЕ С ПРИНАДЛЕЖНОСТЯМИ**

- Отключите инструмент от пневматического питания перед установкой или снятием узла держателя или принадлежностей.
- Используйте только размеры и типы принадлежностей и расходных материалов, рекомендованные производителем инструмента; не используйте другие типы или размеры принадлежностей или расходных материалов.



### **1.6 РИСКИ НА РАБОЧЕМ МЕСТЕ**

- Скольжение, спотыкание и падение являются основными причинами травм на рабочем месте. Следите за скользкими поверхностями, создаваемыми использованием инструмента, а также рисками спотыкания, создаваемыми воздушными или гидравлическими шлангами.
- Действуйте осторожно, находясь в незнакомой среде. Возможно присутствие скрытых опасностей, например, электропроводки или других технических коммуникаций.
- Инструмент не предназначен для использования в потенциально взрывоопасной среде и не оснащен изоляцией для предотвращения удара электрическим током.
- Убедитесь, что рядом нет электрических кабелей или газопроводов и т. п., которые могут создать опасную ситуацию при повреждении инструментом.
- Выбрасывайте одежду правильно. Не носите свободную одежду и ювелирные украшения. Следите за тем, чтобы волосы, одежда и перчатки не попадали под движущиеся детали. Возможно наматывание свободной одежды, ювелирных изделий и длинных волос на движущиеся детали.
- Следите за тем, чтобы сердечники заклепок не создавали опасности.

### **1.7 РИСКИ, СВЯЗАННЫЕ С ШУМОМ**

- Высокий уровень шума без использования надлежащей защиты может привести к полной потере слуха и другим проблемам, таким как тиннитус (звон, гудение, свист или жужжание в ушах). Поэтому, важно выполнить оценку рисков и использовать соответствующие средства снижения этих опасностей.
- Соответствующие средства снижения риска могут включать в себя использование амортизирующих материалов для предотвращения «звона» заготовок.
- Используйте средства защиты органов слуха согласно инструкциям работодателя и правилам охраны труда и техники безопасности.
- Эксплуатацию и техническое обслуживание инструмента следует выполнять в соответствии с инструкциями, чтобы избежать ненужного повышения уровня шума.
- При эксплуатации инструмента убедитесь, что на коллектор для сердечников заклепок установлен исправный глушитель.

### **1.8 РИСКИ, СВЯЗАННЫЕ С ВИБРАЦИЕЙ**

- Воздействие вибрации может привести к повреждениям нервной системы и системы кровообращения рук и ног.
- Носите теплую одежду при работе в холодную погоду и держите руки теплыми и сухими.
- Если вы испытываете онемение, покалывание, боль или побледнение кожи на пальцах или руках, прекратите использование инструмента, доложите об этом работодателю и обратитесь к врачу.
- Везде, где это возможно, поддерживайте инструмент с помощью стола, натяжного инструмента или стабилизатора, так как это позволяет облегчить усилие, необходимое для поддержки инструмента.

### **1.9 ДОПОЛНИТЕЛЬНЫЕ ПРАВИЛА ТЕХНИКИ БЕЗОПАСНОСТИ ДЛЯ ПНЕВМАТИЧЕСКИХ ИНСТРУМЕНТОВ**

- Рабочее давление не должно превышать 7 бар (100 фунтов на квадратный дюйм).
- Воздух под давлением может привести к серьезным травмам.
- Не оставляйте рабочий инструмент без внимания. Отсоединяйте шланг подачи воздуха, если инструмент не используется, а также перед заменой дополнительных принадлежностей или ремонтом.
- ЗАПРЕЩАЕТСЯ направлять отверстие отвода воздуха коллектора сердечников заклепок на рабочего и других лиц. Не направляйте воздушный поток на себя или кого-либо еще.
- Сорвавшиеся шланги могут привести к серьезным травмам. Всегда проверяйте шланги и фитинги на предмет повреждений или ослабления.
- Перед эксплуатацией проверьте воздухопроводы на наличие повреждений а также проверьте надежность соединений. Не роняйте тяжелые предметы на шланги. Острые предметы могут стать причиной внутренних повреждений шланга при падении.
- Холодный воздух следует направлять в сторону от рук.
- При использовании универсальных скручиваемых муфт (зубчатых муфт) необходимо устанавливать фиксаторы и использовать предохранительные тросы для предотвращения возможных неисправностей соединений от шланга к инструменту или от шланга к шлангу.
- ЗАПРЕЩАЕТСЯ поднимать заклепочник за рукоятку.
- Не закрывайте вентиляционные отверстия инструмента.
- Следите за тем, чтобы в гидравлической системе не было грязи и прочих инородных веществ, так как это приведет к поломке инструмента.

**Политика STANLEY Engineered Fastening нацелена на непрерывное развитие и улучшение продукции, и мы оставляем за собой право вносить изменения в спецификацию любого изделия без предварительного уведомления.**

## 2. СПЕЦИФИКАЦИИ

ProSet® XT3 и XT4 — это гидропневматические заклепочники для высокоскоростной установки потайных заклепок Stanley Engineered Fastening. Инструменты оснащены вакуумной системой для удержания заклепок и удобной системой сбора сердечников заклепок независимо от направления инструмента.

При условии установки соответствующего носового оборудования, инструменты ProSet® XT3 и XT4 подходят для установки потайных заклепок от Ø 4,0 мм до Ø 6,4 мм. См. полный перечень доступных для установки заклепок в таблице на стр. 10.

Предупреждения по безопасности на страницах 2 и 4 обязательны к соблюдению при любых обстоятельствах.

**ЗАПРЕЩАЕТСЯ** использовать в условиях повышенной влажности или близости от легковоспламеняющихся жидкостей или газов.

### 2.1. ХАРАКТЕРИСТИКИ ИНСТРУМЕНТА

	ХТ3		ХТ4	
<b>Сила втягивания:</b> При 5,5 бар	17,0 кН	3822 фунт-сила	23,0 кН	5193 фунт-сила
<b>Давление подачи воздуха:</b> Мин – макс.	от 5,0 до 7,0 бар	от 72,5 до 101,5 фунт-сила на дюйм <sup>2</sup>	от 5,0 до 7,0 бар	от 72,5 до 101,5 фунт-сила на дюйм <sup>2</sup>
<b>Давление масла:</b> Втягивание при 5,5 бар	290 бар	4206 фунт-сила на дюйм <sup>2</sup>	395 бар	5729 фунт-сила на дюйм <sup>2</sup>
<b>Шаг:</b> Минимальный ход поршня	26,0 мм	1,02 дюйма.	18,0 мм	0,91 дюйма.
<b>Вес:</b> Включая носовое оборудование	2,24 кг	4,94 фунта	2,26 кг	4,98 фунта
<b>Масса:</b> без носового оборудования	2,00 кг	4,41 фунта	2,02 кг	4,41 фунта
<b>Свободный объем воздуха:</b> При 5,5 бар	6,3 л	384,4 дюйма <sup>3</sup>	6,3 л	384,4 дюйма <sup>3</sup>
<b>Время цикла:</b> Приблизительно	0,9 секунды		1,0 секунды	

Значения шума, определенные согласно методам контроля шума ISO 15744 и ISO 3744.		ХТ3	ХТ4
Уровень акустической мощности по кривой А в дБ(A) <sub>WA</sub>	Погрешность шума: k <sub>WA</sub> = 3,0 дБ(A)	90,3 дБ(A)	89,7 дБ(A)
Уровень акустического давления по кривой А на рабочей станции дБ(A) <sub>PA</sub>	Погрешность шума: k <sub>PA</sub> = 3,0 дБ(A)	79,3 дБ(A)	78,7 дБ(A)
Уровень акустического давления пиковой эмиссии по кривой С в дБ(C) <sub>PC</sub> , пик	Погрешность шума: k <sub>PC</sub> = 3,0 дБ(C)	82,7 дБ(C)	81,5 дБ(A)

Значения вибрации, определенные согласно методам контроля вибрации ISO 20643 и ISO 5349.		ХТ3	ХТ4
Уровень эмиссии вибрации, a <sub>hd</sub> :		1,41 м/с <sup>2</sup>	1,80 м/с <sup>2</sup>
Погрешность вибрации: I		0,70 м/с <sup>2</sup>	0,90 м/с <sup>2</sup>
Заявленные значения эмиссии вибрации в соответствии с требованиями EN 12096			

**2.2 ТЕХНИЧЕСКИЕ ХАРАКТЕРИСТИКИ УСТАНОВКИ**

Тип заклепок	Диаметр заклепок [дюймы]										
	4 [5/32]	4,3	4,8 [3/16]	6	6,4 [1/4]	7	8	9	10	11	12
Открытого типа	●*		●**		●						
Закрытого типа	●*		●**		●						
HR	●*		●		●						
HS					● (3)						
Multi-Grip	●*		●**		●						
TL	●*		●								
T-Rivet (Emhart)	●*		●		●						
Self-Pluggier	●*		●		●						
Ultra Grip (UG) (NPR)					⊗ (3)						
CD					● (3)						
Avex <sup>®</sup>	● (2)		● (2)		● (2)						
Stavex <sup>®</sup>	● (2)		● (2)		● (1)(3)						
Avinox <sup>®</sup> / Avibulb <sup>®</sup>	● (2)		● (2)	● (2)							
Avinox <sup>®</sup> XT/ Avibulb <sup>®</sup> XT					● (1)(3)						
LSR/Bulbex <sup>®</sup>	● (2)		● (2)								
T-Lok <sup>®</sup>		● (2)	● (2)								
Avdel <sup>®</sup> SR	● (2)		● (2)		● (2)						
Hemlok <sup>®</sup>					● (1)(3)						
Interlock <sup>®</sup>			⊗ (2)		⊗ (1)(3)						
Maxlok <sup>®</sup>			● (3)		⊗ (3)						
Monobolt <sup>®</sup>			⊗ (1)(2)		⊗ (1)(3)						
Avtainer <sup>®</sup>									⊗ (1)(3)		
Avseal <sup>®</sup> (STD)				● (1)(3)		● (1)(3)	● (1)(3)	● (1)(3)	⊗ (1)(3)		
Avseal <sup>®</sup> (Low Press)							● (1)(3)	● (1)(3)	● (1)(3)	⊗ (1)(3)	⊗ (1)(3)
Q Rivet	● (2)		● (2)		● (2)						
T Rivet (Avdel)			● (1)(2)		● (1)(2)						
Avdelmate <sup>®</sup>			● (2)		● (2)						
Klamp-Tite <sup>®</sup> BAPK			⊗ (2)		⊗ (2)						
Klamp-Tite <sup>®</sup> BAPKTR			⊗ (1)(2)		⊗ (1)(2)						
Avdelok <sup>®</sup>			● (3)		⊗ (3)						

\* Использование захватов PRG540-46 и узла толкателя захвата FAN276-064

\*\* Использование захватов PRG540-46.

● Подходит для инструментов XT3 и XT4

⊗ Подходит только для инструмента XT3

⊗ Подходит только для инструмента XT4

(1) Необходим нестандартный держатель

(2) Доступно альтернативное носовое оборудование

(3) Необходимо нестандартное носовое оборудование.

См. полный список совместимого носового оборудования для каждого типа заклепки, а также инструкции по сборке и обслуживанию в руководстве по носовому оборудованию ProSet® 07900-09414

### 2.3 КОМПЛЕКТ ПОСТАВКИ

- 1 заклепочник для потайных заклепок ProSet® XT3 и XT4.
- 1 комплект из стандартного носового оборудования и \* держателей для заклепок 4,8 мм [3/16 дюйма] и 6,4 мм [1/4 дюйма].
- 1 Распечатанное руководство по эксплуатации — зависит от региона.

### 2.4 ПЕРЕЧЕНЬ СОСТАВЛЯЮЩИХ ЧАСТЕЙ

См. рис 1 и 2, а также приведенную ниже таблицу.

Элемент	Номер компонента	Описание	Кол-во
1	76003-15000*	Стандартное носовое оборудование	1
2	76003-02022	Крючок для подвешивания	1
3	76003-05200	Коллектор для сердечников заклепок	1
4	07001-00405	Масляная пробка	1
5	07003-00194	Уплотнение	1
6	76003-02008	Спусковой крючок	1
7	76003-03700	Клапан включения/выключения	1
8	71210-02103	Контргайка	1

### 2.5 СТАНДАРТНОЕ НОСОВОЕ ОБОРУДОВАНИЕ

См. рис. 2 и приведенную ниже таблицу.

Элемент	Номер компонента	Описание	Кол-во
1c	PRN614	Держатель — 4,8 мм [3/16 дюйма] (установлен)	1
1d	PRN811	Держатель — 6,4 мм [1/4 дюйма]	1
1e	76003-15001	Корпус носика	1
1f	07003-00067	Уплотнительное кольцо	1
1g	DPN276-001	Направляющая захвата	1
1h	PRG540-44	Захваты	1 комплект
1i	DPN276-006	Толкатель захвата	1
1j	DPN900-060	Уплотнительное кольцо	1
1k	DPN901-019	Пружина толкателя захвата	1
1l	76003-15002	Вытягивающая головка	1
1m	76003-15004	Фиксатор направляющей захвата	1
1n	DPN901-020	Пружина	1
1o	76003-15003	Переходник вытягивающей головки	1
1p	07003-00277	Уплотнительное кольцо	1

За дополнительной информацией о носовом оборудовании см. руководство по носовому оборудованию ProSet® 07900-09414 или сайт [www.stanleyengineeredfastening.com/resource-center/document-library](http://www.stanleyengineeredfastening.com/resource-center/document-library)  
См. полный перечень дополнительных приспособлений инструмента в руководстве по принадлежностям ProSet 07900-09415.

\* Носовое оборудование не входит в комплект поставки инструментов Proset XT3 Base Tool (76003-01000) и Proset XT4 Base Tool (76004-01000).

### 3. ПОДГОТОВКА ИНСТРУМЕНТА К ЭКСПЛУАТАЦИИ

**ВАЖНО** — ПЕРЕД ВВЕДЕНИЕМ ИНСТРУМЕНТА В ЭКСПЛУАТАЦИЮ ВНИМАТЕЛЬНО ПРОЧИТЕ ИНСТРУКЦИИ НА СТР. 6 И 8.

**ВАЖНО** — ПЕРЕД УСТАНОВКОЙ И СНЯТИЕМ НОСОВОГО ОБОРУДОВАНИЯ ИНСТРУМЕНТА НЕОБХОДИМО ОТКЛЮЧИТЬ ПОДАЧУ ВОЗДУХА.

#### 3.1 НОСОВОЕ ОБОРУДОВАНИЕ (см. рис. 2)

Номера позиций, выделенные жирным шрифтом, относятся к составляющим на рисунках 1 и 2, а также в таблицах на странице 11.

Инструмент поставляется в предварительном собранном виде с установленным держателем для заклепок 4,8 мм [3/16 дюйма].

Один дополнительный держатель для заклепок 6,4 мм [1/4 дюйма] поставляется отдельно.

#### Установка держателя

- Необходимо отключить подачу воздуха.
- Выберите соответствующий заклепке держатель.
- Снимите корпус носика (**1e**) вместе с держателем (**1a, b, c или d**) и уплотнительным кольцом (**1f**)
- Снимите держатель (**1a, b, c или d**) с корпуса носика (**1e**)
- Выберите подходящий держатель и установите в порядке, обратном снятию.

#### Снятие узла носового оборудования.

- Необходимо отключить подачу воздуха.
- Снимите корпус носика (**1e**) вместе с держателем (**1a, b, c или d**) и уплотнительным кольцом (**1f**) инструмента.
- Оттяните фиксатор направляющей захвата (**1m**) в сторону пружины (**1n**) и снимите направляющую зажима (**1g**).
- Снимите захваты (**1h**) с направляющей зажима (**1g**).
- Снимите толкатель захвата (**1i**), уплотнительное кольцо (**1j**) и пружину толкателя захвата (**1k**) с вытягивающей головки (**1l**).
- Снимите узел вытягивающей головки (**1q**) с поршня инструмента с помощью гаечных ключей

#### Установка узла носового оборудования

- Необходимо отключить подачу воздуха
- Любую изношенную или поврежденную деталь необходимо заменить на новую.
- Очистите и проверьте захваты (**1h**) на предмет износа.
- Убедитесь, что толкатель захвата (**1i**) и пружина толкателя захвата (**k**) не деформированы.
- Нанесите на захваты (**1h**) небольшое количество литиевой смазки Моли (Moly).
- Установите захваты (**1h**) на направляющую захватов (**1g**).
- Установите толкатель захвата (**1i**) и уплотнительное кольцо (**1j**) на вытягивающую головку (**1l**).
- Оттяните фиксатор направляющей захвата (**1m**) и наведите направляющую захватов (**1g**) до конца на вытягивающую головку (**1l**).
- Отпустите фиксатор направляющей захватов (**1m**) и частично открутите направляющую захватов (**1g**), чтобы выступ фиксатора направляющей захвата (**1m**) зафиксировался щелчком в следующей выемке направляющей захватов (**1g**).
- Наденьте корпус носика (**1e**) на направляющую захватов (**1g**) и полностью затяните на инструменте.

Носовое оборудование необходимо обслуживать каждую неделю. Храните запас внутренних компонентов носового оборудования и держателей, так как они будут требовать регулярной замены.

#### 3.2 ПОДАЧА ВОЗДУХА (см. рис. 3.)

Компоненты

- Запорный кран (используется для обслуживания фильтра/регулятор или замасливающего устройства)
- Регулятор давления и фильтр (ежедневная продувка)

- C. Точка выпуска питающей линии
- D. Точка забора из питающей линии

- Для всех инструментов необходима подача воздуха под давлением не менее 5,0 бар.
- Регуляторы давления и системы автоматической смазки/фильтрации должны быть установлены не далее 3 метров от инструмента (см. рис. 3).
- Шланги подачи воздуха должны иметь минимальный рейтинг эффективного давления в 150 % от максимального давления системы или 10 бар, в зависимости от большего значения.
- Воздушные шланги должны быть маслостойкими, износостойчивыми и иметь укрепленный наружный слой, если условия эксплуатации могут привести к повреждению шлангов.
- Все шланги подачи воздуха должны иметь внутренний диаметр НЕ МЕНЕЕ 6,4 мм.
- Проверьте инструмент на наличие утечек. В случае обнаружения повреждений шланги и соединения необходимо заменить на новые.
- Если на регулятор давления не установлен фильтр, после каждого отключения шланга подачи воздуха необходимо прочищать шланг, чтобы избавиться от загрязнений.

### 3.3 ПРИНЦИП РАБОТЫ

**ВНИМАНИЕ — ДЛЯ КОРРЕКТНОЙ РАБОТЫ ДАННОГО ИНСТРУМЕНТА НЕОБХОДИМО ПРАВИЛЬНОЕ ДАВЛЕНИЕ ПОДАВАЕМОГО ВОЗДУХА. ПРИ ПОДАЧЕ НЕПРАВИЛЬНОГО ДАВЛЕНИЯ СУЩЕСТВУЕТ РИСК ТРАВМ И ПОВРЕЖДЕНИЯ ОБОРУДОВАНИЯ. ПОДАВАЕМОЕ ДАВЛЕНИЕ НЕ ДОЛЖНО ПРЕВЫШАТЬ ЗНАЧЕНИЕ, УКАЗАННОЕ В ТЕХНИЧЕСКИХ ХАРАКТЕРИСТИКАХ ИНСТРУМЕНТА**

Номера позиций, выделенные жирным шрифтом, относятся к составляющим на рисунках 1 и 2, а также в таблицах на странице 11.

При подключении пневматического шланга к инструменту циклы втягивания и возврата инструмента управляются путем нажатия и отпускания спускового переключателя (**6**), расположенного на рукоятке инструмента.

- Подача воздуха отключена.
- Установите подходящее носовое оборудование, как описано на стр. 10 и 12.
- Подключите пневматический шланг к клапану отсечки (**7**).
- Подключите пневматический шланг к источнику сжатого воздуха.
- Подайте воздух на инструмент, переместив клапан отсечки (**7**) в верхнее положение.
- Сжатый воздух теперь подается на инструмент, вакуумная система находится в рабочем состоянии.
- Несколько раз нажмите и отпустите спусковой переключатель (**6**), проверив полный ход инструмента и правильность работы. Следите за работой инструмента. Проверьте наличие утечек жидкости и/или воздуха.

## 4. ПОРЯДОК ЭКСПЛУАТАЦИИ

### 4.1 ЭКСПЛУАТАЦИЯ ИНСТРУМЕНТА (см. рис. 1, 4, 5, 6)

#### Установка потайной заклепки

- Убедитесь, что коллектор сердечников заклепок (3) установлен.
- Вставьте сердечник заклепки в держатель (1a, b, c или d). Вакуумная система будет удерживать заклепку в держателе.
- Расположение инструмента.
- Убедитесь в правильности угла носового оборудования (90°) по отношению к рабочей детали.
- Нажмите и удерживайте переключатель (6), пока заклепка не будет зафиксирована в нужном положении.
- Если потайная заклепка была установлена надлежащим образом, отпустите переключатель (6). Инструмент вернется в исходное положение. Сердечник автоматически будет помещен в коллектор сердечников заклепок (3) вакуумной системой.
- Как только коллектор сердечников заклепок заполнится на половину, опустошите его.

**ВНИМАНИЕ — НЕ ПЫТАЙТЕСЬ ВСТАВИТЬ СЕРДЕЧНИК ЗАКЛЕПКИ ИЛИ КОРПУС ЗАКЛЕПКИ СИЛОЙ. ЭТО ПРИВЕДЕТ К ПОВРЕЖДЕНИЮ ИНСТРУМЕНТА И/ИЛИ УСТРОЙСТВА.**

### 4.2 ОПУСТОШЕНИЕ КОЛЛЕКТОРА СЕРДЕЧНИКОВ ЗАКЛЕПОК (см. рис. 1)

**ВНИМАНИЕ — ЗАПРЕЩАЕТСЯ ИСПОЛЬЗОВАТЬ ИНСТРУМЕНТ, ЕСЛИ КОЛЛЕКТОР СЕРДЕЧНИКОВ ЗАКЛЕПОК СНЯТ**

- Инструмент оборудован быстросъемным коллектором сердечников заклепок (3).
- Снятие и установка коллектора сердечников заклепок выполняется легким поворотом на 60°.
- Снятие коллектора сердечников заклепок (3) с инструмента автоматически отключает вакуумное удержание заклепок и систему забора сердечников заклепок.
- При установке коллектора сердечников заклепок вакуумная система вновь включается.

## 5. ОБСЛУЖИВАНИЕ ИНСТРУМЕНТА

### 5.1 ЧАСТОТА ТЕХНИЧЕСКОГО ОБСЛУЖИВАНИЯ

Для корректной работы инструмента обученный персонал должен выполнять его регулярное обслуживание, а также инструмент должен проходить комплексную проверку каждый год или через каждые 500 000 циклов, в зависимости от того, что наступит ранее.



ОТКЛЮЧИТЕ ПОДАЧУ ВОЗДУХА



**ВНИМАНИЕ** — *Никогда не пользуйтесь растворителями или другими сильнодействующими химическими веществами для чистки неметаллических частей инструмента.*

*Эти химикаты могут ослаблять структуру материала, используемого для производства таких деталей.*

### 5.2 НОСОВОЕ ОБОРУДОВАНИЕ

Носовое оборудование необходимо обслуживать каждую неделю или раз в 5000 циклов. Храните запас внутренних компонентов носового оборудования и держателей, так как они будут требовать регулярной замены.

- Отключите источник питания
- Снимите узел держателя согласно порядку действий, описанному в разделе 3.1.
- Проверьте все компоненты. Все изношенные или поврежденные детали необходимо заменить на новые.
- Уделите особое внимание износу захватов (**1h**).
- Очистите все детали и нанесите небольшое количество литиевой смазки Молли (Moly) (07992-00020) на захваты (**1h**) и коническое отверстие направляющей захватов (**1g**).
- Установите в соответствии с инструкциями по установке, описанными в разделе 3.1.

### 5.3 ЕЖЕДНЕВНОЕ ОБСЛУЖИВАНИЕ

- Перед эксплуатацией проверьте инструмент, шланг и соединения на предмет утечки воздуха или масла. В случае обнаружения повреждений снимите инструмент с эксплуатации и замените неисправные элементы на новые.
- Если на регулятор давления не установлен фильтр, после каждого отключения шланга подачи воздуха необходимо прочищать шланг, чтобы избавиться от загрязнений. Если имеется фильтр, опустошите его.
- Убедитесь в том, что выбрано и надлежащим образом установлено подходящее носовое оборудование (**1**) для выбранной заклепки.
- Убедитесь, что ход инструмента соответствует минимальным требованиям технических характеристик (см. 2.1).
- На инструмент должен быть установлен коллектор сердечников заклепок (**3**).
- Убедитесь, что воздушный резервуар надежно затянут на корпусе инструмента.

### 5.4 ЕЖЕНЕДЕЛЬНОЕ ОБСЛУЖИВАНИЕ

- Проверьте инструмент, шланг и соединения на предмет утечки воздуха или масла. В случае обнаружения повреждений снимите инструмент с эксплуатации и замените неисправные элементы на новые.

См. полные инструкции по обслуживанию, устранению неисправностей и техническому обслуживанию в руководстве по техническому обслуживанию № 07900-09410 для ХТ3 и 07900-09411 для ХТ4.

Информация, связанная с безопасностью смазок и масел, используемых в данном инструменте, приведена в руководстве по техническому обслуживанию № 07900-09410 для ХТ3 и 07900-09411 для ХТ4.

### 5.5 ЗАЩИТА ОКРУЖАЮЩЕЙ СРЕДЫ

Обеспечьте соблюдение применимого законодательства по утилизации. Утилизируйте все отходы на соответствующих предприятиях или площадках, чтобы не подвергать персонал и окружающую среду опасности.



## 6. ЗАЯВЛЕНИЕ О СООТВЕТСТВИИ НОРМАМ ЕС

Мы, **Stanley Engineered Fastening, Stanley House, Works Road, Letchworth Garden City, Hertfordshire, SG6 1JY СОЕДИНЕННОЕ КОРОЛЕВСТВО**, принимаем на себя полную ответственность за то, что продукт:

**Описание:**

**Гидропневматические инструменты ProSet® XT3 и ProSet® XT4 для потайных заклепок**

**Модель:**

**POP-Avdel®/76003 и POP-Avdel®/76004**

на который распространяется данная декларация, соответствует следующим согласованным стандартам:

ISO 12100:2010	EN ISO 3744:2010
EN ISO 11202:2010	EN ISO 11148-1:2011
EN ISO 4413:2010	BS EN 28662-1:1993
EN ISO 4414:2010	EN ISO 20643:2008+A1:2012
EN ISO 28927-5:2009+A1:2015	ES100118-ред. 17:2017

Техническая документация составлена в соответствии с Приложением 1, раздел 1.7.4.1, в соответствии с директивой:

**2006/42/ЕС Директива ЕС по машинам, механизмам и машинному оборудованию**

(Нормативно-правовой акт № 1597 от 2008 г. — Положение о поставке машинного оборудования (безопасность)).

Нижеподписавшийся делает настоящее заявление от имени компании STANLEY Engineered Fastening.



**A. K. Seewraj**

**Директор инженерного отдела, Соединенное Королевство**

Avdel UK Limited, Stanley House, Works Road, Letchworth Garden City, Hertfordshire, SG6 1JY СОЕДИНЕННОЕ КОРОЛЕВСТВО

**Место выпуска:**

**Letchworth Garden City, Соединенное Королевство**

**Дата выпуска:**

**13.01.2017.**

Нижеподписавшееся лицо несет ответственность за составление технической документации для продукции, распространяемой в Европейском союзе и составил данную декларацию по поручению компании Stanley Engineered Fastening.

**Matthias Appel**

**Руководитель рабочей группы по технологической документации**

Stanley Engineered Fastening, Tucker GmbH, Max-Eyth-Str.1, 35394 Gießen, Германия



**Данное устройство соответствует директиве ЕС по машинам, механизмам и машинному оборудованию 2006/42/ЕС**

## 7. ЗАЯВЛЕНИЕ О СООТВЕТСТВИИ НОРМАМ СОЕДИНЕННОГО КОРОЛЕВСТВА

Мы, **Stanley Engineered Fastening, Stanley House, Works Road, Letchworth Garden City, Hertfordshire, SG6 1JY СОЕДИНЕННОЕ КОРОЛЕВСТВО**, принимаем на себя полную ответственность за то, что продукт:

**Описание:**

**Гидропневматические инструменты ProSet® XT3 и ProSet® XT4 для потайных заклепок**

**Модель:**

**POP-Avdel®/76003 и POP-Avdel®/76004**

на который распространяется данная декларация, соответствует следующим стандартам:

ISO 12100:2010	EN ISO 3744:2010
EN ISO 11202:2010	EN ISO 11148-1:2011
EN ISO 4413:2010	BS EN 28662-1:1993
EN ISO 4414:2010	EN ISO 20643:2008+A1:2012
EN ISO 28927-5:2009+A1:2015	ES100118-ред. 17:2017

Технологическая документация составлена в соответствии с Правилами (безопасности) электропитания машин от 2008 г., нормативно-правовой акт 2008/1597 (с поправками).

Нижеподписавшийся делает настоящее заявление от имени компании STANLEY Engineered Fastening.



**A. K. Seewraj**

**Директор инженерного отдела, Соединенное Королевство**

Avdel UK Limited, Stanley House, Works Road, Letchworth Garden City, Hertfordshire, SG6 1JY СОЕДИНЕННОЕ КОРОЛЕВСТВО

**Место выпуска:**

**Letchworth Garden City, Соединенное Королевство**

**Дата выпуска:**

**13.01.2017.**



Данное устройство соответствует  
Правилам (безопасности) электропитания  
машин от 2008 г., нормативно-правовой акт  
2008/1597 (с поправками)

## 8. ЗАЩИТИТЕ СВОИ ВЛОЖЕНИЯ!

### **8.1 ГАРАНТИЯ НА ЗАКЛЕПОЧНИК ДЛЯ ПОТАЙНЫХ ЗАКЛЕПОК POP® AVDEL®**

Компания STANLEY Engineered Fastening гарантирует, что все электроинструменты изготовлены с полной ответственностью и не содержат дефектов материалов и производства при нормальном использовании на протяжении одного (1) года.

Данная гарантия применима только к первой покупке для начального использования.

#### **Исключения:**

##### **Нормальный износ.**

Гарантия не включает периодическое техническое обслуживание, ремонт и замену частей вследствие износа.

##### **Небрежное и неправильное обращение.**

Дефекты и повреждения, ставшие причиной неправильной эксплуатации, хранения, небрежного и неправильного обращения, несчастных случаев и пренебрежения положениями, не входят в покрытие гарантии.

##### **Не авторизованное техническое обслуживание или модификации.**

Данная гарантия не распространяется на дефекты и повреждения, ставшие причиной обслуживания, регулировки, установки, обслуживания, и модификаций любыми лицами, кроме представителей компании STANLEY Engineered Fastening, или ее официальных центров обслуживания.

Все остальные гарантии, явные или подразумеваемые, включая любые гарантии товарности или пригодности для конкретной цели, настоящим исключаются.

Если данный инструмент не соответствует гарантии, немедленно верните инструмент в ближайший авторизованный сервисный центр. Чтобы получить список авторизованных сервисных центров POP® Avdel® в США и Канаде, свяжитесь с нами по бесплатному номеру (877) 364 2781.

Для пользователей вне США и Канады существует сайт **[www.StanleyEngineeredFastening.com](http://www.StanleyEngineeredFastening.com)**, на котором приведены адреса мест деятельности компании STANLEY Engineered Fastening.

Компания STANLEY Engineered Fastening обязуется бесплатно заменять любые компоненты устройства, имеющие дефект в результате использования несоответствующих материалов или работы низкого качества, и вернуть инструмент пользователю. Это является нашим единственным обязательством в рамках настоящей гарантии.

Компания STANLEY Engineered Fastening не несет ответственности за любые убытки и ущерб в результате приобретения или использования данного инструмента.

### **8.2 ЗАРЕГИСТРИРУЙТЕ ИНСТРУМЕНТ ДЛЯ ПОТАЙНЫХ ЗАКЛЕПОК В ИНТЕРНЕТЕ.**

Для регистрации гарантии в Интернете, перейдите по адресу

<http://www.stanleyengineeredfastening.com/popavdel-powertools/warranty-card>.

Благодарим за выбор инструмента марки POP® Avdel® производства компании STANLEY Engineered Fastening.

©2017 Stanley Black & Decker inc.

Všetky práva vyhradené.

Uvedené informácie sa nesmú reprodukovat ani zverejňovať žiadnym spôsobom (elektronicky ani mechanicky) bez predchádzajúceho výslovného a písomného súhlasu od spoločnosti STANLEY Engineered Fastening. Uvedené informácie vychádzajú z údajov známych v čase uvádzania tohto produktu na trh. Spoločnosť STANLEY Engineered Fastening uplatňuje politiku kontinuálneho zdokonaľovania produktov a z uvedeného dôvodu môžu produkty podliehať zmenám. Uvedené informácie sa vzťahujú na produkt v stave, v akom bol dodaný spoločnosťou STANLEY Engineered Fastening. Spoločnosť STANLEY Engineered Fastening preto nebude niesť zodpovednosť za žiadne škody vyvstávajúce z odchýlok produktu od povodných špecifikácií.

Dostupné informácie boli zostavené s maximálnou starostlivosťou. Spoločnosť STANLEY Engineered Fastening však nepreberá žiadnu zodpovednosť za akékoľvek chyby v týchto informáciách ani za dôsledky z nich vyplývajúce. Spoločnosť STANLEY Engineered Fastening nepreberá zodpovednosť za škody vyvstávajúce z aktivít realizovaných tretími stranami. Pracovné názvy, obchodné názvy, registrované ochranné známky a pod. používané spoločnosťou STANLEY Engineered Fastening sa nesmú považovať za bezplatné, a to v súlade s legislatívou týkajúcou sa ochrany ochranných známk.

## OBSAH

<b>1.</b>	<b>BEZPEČNOSTNÉ DEFINÍCIE .....</b>	<b>2</b>
1.1	VŠEOBECNÁ BEZPEČNOSŤ .....	2
1.2	NEBEZPEČENSTVÁ VRHNUTIA .....	2
1.3	PREVÁDZKOVÉ NEBEZPEČENSTVÁ .....	3
1.4	NEBEZPEČENSTVÁ OPAKUJÚCICH SA POHYBOV .....	3
1.5	NEBEZPEČENSTVÁ PRÍSLUŠENSTVA .....	3
1.6	NEBEZPEČENSTVÁ PRACOVISKA .....	4
1.7	NEBEZPEČENSTVÁ HLUKU .....	4
1.8	NEBEZPEČENSTVÁ VIBRÁCIÍ .....	4
1.9	DODATOČNÉ BEZPEČNOSTNÉ POKYNY PRE PNEUMATICKÉ ELEKTRICKÉ NÁRADIE .....	4
<b>2.</b>	<b>TECHNICKÉ ÚDAJE .....</b>	<b>5</b>
2.1.	TECHNICKÉ ÚDAJE NÁRADIA .....	5
2.2	TECHNICKÉ ÚDAJE UMIESTŇOVANIA .....	6
2.3	OBSAH BALENIA .....	7
2.4	ZOZNAM HLAVNÝCH KOMPONENTOV .....	7
2.5	ŠTANDARDNÝ MECHANIZMUS ÚSTIA .....	7
<b>3.</b>	<b>NASTAVENIE NÁRADIA .....</b>	<b>8</b>
3.1	MECHANIZMUS ÚSTIA (Ref. obr. 2) .....	8
3.2	PRÍVOD VZDUCHU (Ref. obr. 3.) .....	8
3.3	PRINCÍP PREVÁDZKY .....	9
<b>4.</b>	<b>POSTUP PREVÁDZKY .....</b>	<b>10</b>
4.1	PREVÁDZKA NÁRADIA (Ref. obr. 1, 4, 5, 6) .....	10
4.2	VYPRÁZDŇOVANIE ZBERNÉHO PRIESTORU TRŇŇOV (Ref. obr. 1) .....	10
<b>5.</b>	<b>SERVIS NÁRADIA .....</b>	<b>11</b>
5.1	ČASTOSŤ ÚDRŽBY .....	11
5.2	MECHANIZMUS ÚSTIA .....	11
5.3	DENNÝ SERVIS .....	11
5.4	TÝŽDENNÝ SERVIS .....	11
5.5	OCHRANA ŽIVOTNÉHO PROSTREDIA .....	11
<b>6.</b>	<b>VYHLÁSENIE O ZHODE S EÚ .....</b>	<b>12</b>
<b>7.</b>	<b>VYHLÁSENIE O ZHODE S VB .....</b>	<b>13</b>
<b>8.</b>	<b>CHRÁŇTE SVOJU INVESTÍCIU! .....</b>	<b>14</b>
8.1	ZÁRUKA NÁRADIA NA UMIESTŇOVANIE SLEPÝCH NITOV POP'AVDEL® .....	14
8.2	ZAREGISTRUJTE SVOJE NÁRADIE NA SLEPÉ NITY ONLINE .....	14



Tento návod na použitie si musí prečítať každá osoba, ktorá inštaluje alebo prevádzkuje toto náradie, pričom je povinná venovať zvýšenú pozornosť nasledujúcim zásadám bezpečnosti.



Počas práce s náradím vždy používajte ochranu zraku odolnú proti nárazom. Stupeň požadovanej ochrany by sa mal hodnotiť pri každom použití.



Používajte ochranu sluchu v súlade s pokynmi zamestnávateľa a podľa požiadaviek predpisov o ochrane zdravia a bezpečnosti pri práci.



Použitie tohto náradia môže vystaviť ruky pracovníka nebezpečenstvám, a to vrátane rozdrvenia, nárazov, porezania, odrenín a tepla. Na ochranu rúk používajte vhodné rukavice.

## 1. BEZPEČNOSTNÉ DEFINÍCIE

Nižšie uvedené definície charakterizujú hladinu závažnosti jednotlivých signalizačných slov. Prečítajte si príručku a venujte pozornosť týmto symbolom.



**NEBEZPEČENSTVO:** Označuje situáciu s bezprostredným ohrozením, ktorá v prípade, ak sa jej nepredídete, spôsobí smrť alebo vážne ublíženie na zdraví.



**VAROVANIE:** Označuje situáciu s potenciálnym ohrozením, ktorá v prípade, ak sa jej nepredídete, by mohla spôsobiť smrť alebo vážne ublíženie na zdraví.



**UPOZORNENIE:** Označuje situáciu s potenciálnym ohrozením, ktorá v prípade, ak sa jej nepredídete, môže spôsobiť ľahké alebo stredne ťažké ublíženie na zdraví.

**UPOZORNENIE:** Pri použití bez symbolu bezpečnostného upozornenia poukazuje na potenciálne nebezpečnú situáciu, ktorá (pokiaľ sa nezabráni je výskytu) môže spôsobiť majetkové škody.

**Nesprávna obsluha alebo údržba tohto produktu môže spôsobiť vážne ublíženie na zdraví a majetkové škody. Pred zahájením používania tohto vybavenia si preštudujte všetky varovania a prevádzkové pokyny a dodržiavajte ich. Pri používaní elektrického náradia ste povinní kvôli zníženiu rizika ublíženia na zdraví dodržiavať bezpečnostné opatrenia.**

### VŠETKY VAROVANIA A POKYNY SI USCHOVAJTE PRE REFERENCIU DO BUDÚCNOSTI

#### 1.1 VŠEOBECNÁ BEZPEČNOSŤ

- Kvôli viacerým nebezpečenstvám si pred inštaláciou, prevádzkou, opravou, údržbou, výmenou príslušenstva alebo pred prácou v blízkosti náradia prečítajte bezpečnostné pokyny a pochopte ich. Ak tak neurobíte, môže to mať za následok vážne zranenie.
- Inštalovať, nastavovať alebo používať toto náradie môžu len kvalifikovaní a vyškolení pracovníci.
- **NEPOUŽÍVAJTE** na iné ako dizajnom predurčené použitie, ktorým je umiestňovanie slepých nitov STANLEY Engineered Fastening.
- Používajte len diely, upevňovacie prvky a príslušenstvo odporúčané výrobcom.
- Náradie NEUPRAVUJTE. Úpravy môžu znížiť účinnosť bezpečnostných opatrení a zvýšiť riziká pre pracovníka. Za akékoľvek zmeny náradia realizované zákazníkom bude v plnej miere zodpovedný zákazník, pričom v tomto prípade zároveň dochádza k strate platnosti poskytovaných záruk.
- Nezahadzujte bezpečnostné pokyny; dať ich pracovníkovi.
- Ak je náradie poškodené, nepoužívajte ho.
- Pred použitím skontrolujte nesprávne zarovnanie alebo uviaznutie pohyblivých častí, zlomenie častí a akékoľvek iné okolnosti, ktoré ovplyvňujú prevádzku náradia. Ak sa náradie poškodí, pred použitím si ho nechajte opraviť. Pred použitím odstráňte nastavovací kľúč alebo násadu.
- Náradie sa musí pravidelne kontrolovať, aby sa overilo, či sú na náradí čitateľne vyznačené klasifikácie a značky požadované touto časťou normy ISO 11148. Zamestnávateľ/používateľ sa v prípade potreby spojí s výrobcom, aby získal náhradné štítky s označením.
- Kvalifikovaný personál musí náradie neustále udržiavať v bezpečnom prevádzkovom stave a pravidelne kontrolovať z hľadiska možného poškodenia a nenáležitej funkčnosti. Akékoľvek úkony demontáže bude realizovať výlučne vyškolený personál. Náradie nerozoberajte bez toho, aby ste si vopred našťudovali návod na údržbu.

#### 1.2 NEBEZPEČENSTVÁ VRHNUŤIA

- Pred výkonom údržby alebo pokusom o nastavenie, nasadenie alebo odňatie mechanizmu ústia odpojte prívod vzduchu od náradia.

- Uvedomte si, že zlyhanie obrobku alebo príslušenstva, či lebo dokonca samotného vloženého náradia, môže viesť k vrhnutiu projektívov vysokou rýchlosťou.
- Počas práce s náradím vždy používajte ochranu zraku odolnú proti nárazom. Stupeň požadovanej ochrany by sa mal hodnotiť pri každom použití.
- V tejto chvíli by ste mali posúdiť aj riziká pre ostatných.
- Skontrolujte, či je obrobok bezpečne upevnený.
- Skontrolujte, či sú prostriedky na ochranu pred vypudením upevňovacieho prvku a/alebo trňa na svojom mieste a či sú funkčné.
- NEPOUŽÍVAJTE náradie bez namontovaného zberného priestoru trňov.
- Upozornite na možné vypudenie trňov z prednej strany náradia silou.
- NEOBSLUHUJTE náradie, ktoré je nasmerované na iné osoby.

### 1.3 PREVÁDZKOVÉ NEBEZPEČENSTVÁ

- Použitie tohto náradia môže vystaviť ruky pracovníka nebezpečenstvám, a to vrátane rozdrvenia, nárazov, porezania, odrenín a tepla. Na ochranu rúk používajte vhodné rukavice.
- Pracovníci a personál údržby musia byť fyzicky schopní zvládnuť objem, hmotnosť a výkon náradia.
- Náradie držte správne. Buďte pripravení pôsobiť proti normálnym alebo náhlym pohybom a majte k dispozícii obe ruky.
- Rukoväte udržiavajte suché, čisté a bez nánosov oleja či mastnoty.
- Pri práci s náradím udržiavajte vyváženú polohu tela a bezpečný postoj.
- V prípade prerušenia prívodu vzduchu uvoľnite zapínacie a vypínacie zariadenie.
- Používajte iba mazivá odporúčané výrobcom.
- Mali by ste predchádzať kontaktu s hydraulickou kvapalinou. Aby ste minimalizovali možnosť tvorby vyrážok, mali by ste v prípade kontaktu poriadne umyť zasiahnuté miesto.
- Bezpečnostné karty materiálu pre všetky hydraulické oleje a mazadlá sú na vyžiadanie dostupné od dodávateľa náradia.
- Vyhybajte sa nevhodným polohám, pretože je pravdepodobné, že tieto polohy neumožnia pôsobiť proti normálnemu alebo neočakávanému pohybu náradia.
- Ak je náradie pripravené k závesnému zariadeniu, uistite sa, že je upevnenie bezpečné.
- Dajte si pozor na nebezpečenstvo rozdrvenia alebo privretia, ak nie je namontované čelné zariadenie.
- NEPREVÁDZKUJTE náradie s odňatým puzdrom ústia.
- Pred pokračovaním je potrebné zabezpečiť dostatočný odstup od rúk osoby obsluhujúcej náradie.
- Pri prenášaní náradia z miesta na miesto držte ruky v bezpečnej vzdialenosti od aktivátora, aby nedošlo k neúmyselnej aktivácii.
- Náradie NEPOUŽÍVAJTE hrubým spôsobom, nedovoľte, aby spadlo na zem ani ho nepoužívajte ako kladivo.
- Dávajte pozor, aby ste zaistili, že použité trne nebudú vytvárať nebezpečenstvo.
- Zberný priestor trňov sa musí vyprázdniť, keď je približne do polovice plný.

### 1.4 NEBEZPEČENSTVÁ OPAKUJÚCICH SA POHYBOV

- Pri používaní náradia môže pracovník pociťovať nepohodlie v rukách, ramenách, pleciach, krku alebo iných častiach tela.
- Počas používania náradia by mal pracovník zaujať pohodlnú pozíciu, zachovávať bezpečný postoj a vyhýbať sa nevhodnému alebo nevyváženému držaniu tela. Počas dlhších úloh by pracovník mal zmeniť postoj. Môže to pomôcť vyhnúť sa nepohodliu a únave.
- Ak sa u pracovníka vyskytnú príznaky, ako je pretrvávajúce alebo opakujúce sa nepohodlie, bolesť, pulzovanie, bolenie, trpnutie, znížená citlivosť, pálenie alebo stuhnutosť, tieto výstražné príznaky by sa nemali ignorovať. Pracovník by mal informovať zamestnávateľa a poradiť sa s kvalifikovaným zdravotníckym pracovníkom.

### 1.5 NEBEZPEČENSTVÁ PRÍSLUŠENSTVA

- Pred namontovaním alebo odstránením mechanizmu ústia alebo príslušenstva odpojte náradie od prívodu vzduchu.
- Používajte príslušenstvo a spotrebný materiál iba takých rozmerov a typov, ktoré odporúča výrobca náradia. Nepoužívajte iné typy alebo veľkosti príslušenstva alebo spotrebného materiálu.

### 1.6 NEBEZPEČENSTVÁ PRACOVISKA

- Šmyknutia, zakopnutia a pády sú hlavnými príčinami úrazov na pracovisku. Dávajte si pozor na klzké povrchy spôsobené použitím náradia a tiež na nebezpečenstvo zakopnutia spôsobené vzduchovým potrubím alebo hydraulickou hadicou.
- V neznámom prostredí postupujte opatrne. Môžu tam byť skryté riziká, ako napríklad elektrické alebo iné inžinierske siete.
- Nástroje nie je určené na používanie v potenciálne výbušnej atmosfére a nie je izolované proti kontaktu s elektrickou energiou.
- Zabezpečte, aby tam neboli žiadne elektrické káble, plynové potrubia atď., ktoré by v prípade ich poškodenia nástrojmi mohli spôsobiť nebezpečenstvo.
- Správne sa oblečte. Nepoužívajte voľný odev ani šperky. Vlasy, oblečenie a rukavice udržiavajte mimo pohyblivých častí. Voľné oblečenie, šperky alebo dlhé vlasy sa môžu zachytiť do pohyblivých častí.
- Dávajte pozor, aby ste zaistili, že použité trne nebudú vytvárať nebezpečenstvo.

### 1.7 NEBEZPEČENSTVÁ HLUKU

- Expozícia vysokej hladine hluku môže spôsobiť trvalé následky spočívajúce v strate sluchu a ďalšie problémy, napríklad hučanie v ušiach (zvonenie, bzúčanie, pískanie alebo hučanie v ušiach). Posúdenie rizika a implementácia vhodných regulačných mechanizmov týchto nebezpečenstiev sú preto nevyhnutné.
- Medzi vhodné regulačné opatrenia na zníženie rizika môžu patriť prvky, akými sú tlmiace materiály, ktoré zabránia „zvoneniu“ obrobkov.
- Používajte ochranu sluchu v súlade s pokynmi zamestnávateľa a podľa požiadaviek predpisov o ochrane zdravia a bezpečnosti pri práci.
- Nástroje obsluhujte a udržiavajte podľa odporúčaní uvedených v návode na použitie, aby ste predišli zbytočnému zvýšeniu hladiny hluku.
- Počas používania nástroja sa uistite, že je tlmíč v zbernom priestore trňov na svojom mieste a že je v dobrom prevádzkovom stave.

### 1.8 NEBEZPEČENSTVÁ VIBRÁCIÍ

- Expozícia vibráciám môže spôsobiť vážne poškodenie nervov a prísunu krvi do rúk a ramien.
- Pri práci v chladnom prostredí nosíte teplé oblečenie a udržiavajte si ruky v teple a suchu.
- Ak pociťujete znečlivenie, brnenie, bolesť alebo bielenie pokožky prstov alebo rúk, prestaňte nástroj používať, informujte svojho zamestnávateľa a obráťte sa na lekára.
- Ak je to možné, podprite váhu nástroja stojanom, napínačom alebo kompenzátorom, pretože na podoprenie nástroja potom môžete použiť ľahšiu rukoväť.

### 1.9 DODATOČNÉ BEZPEČNOSTNÉ POKYNY PRE PNEUMATICKÉ ELEKTRICKÉ NÁRADIE

- Prevádzkový prírodný tlak nesmie prekročiť 7 barov (100 PSI).
- Vzduch pod tlakom môže spôsobiť vážne zranenie.
- Nástroje, ktoré je v prevádzke, nikdy neponechávajú bez dozoru. Keď sa nástroj nepoužíva, pred výmenou príslušenstva alebo pri opravách, odpojte vzduchovú hadicu.
- NEDOVOLTE, aby výstupný otvor zberného priestoru trňov smeroval k obsluhujúcemu pracovníkovi alebo k iným osobám. Vzduch nikdy nesmerujte na seba ani na nikoho iného.
- Šľahnutie hadicami môže spôsobiť vážne zranenie. Vždy skontrolujte, či nie sú poškodené alebo uvoľnené hadice a tvarovky.
- Pred použitím skontrolujte, či vzduchové rozvody nie sú poškodené a či sú pripojenia bezpečne upevnené. Nedovoľte, aby na hadice spadli ťažké predmety. Silný náraz môže spôsobiť interné poškodenie a môže viesť k predčasnemu narušeniu hadice.
- Studený vzduch smerujte mimo rúk.
- Vždy, keď sa používajú univerzálne skrúcané spojky (spojky s čelustami), musia sa namontovať poistné kolíky a na zabezpečenie proti novej poruche spojenia medzi nástrojmi a hadicou alebo medzi hadicami sa musia použiť bezpečnostné káble.
- Umiestňovacie nástroje NEDVÍHAJTE držaním za hadicu. Vždy používajte rukoväť umiestňovacieho nástroja.
- Vetracie otvory sa nesmú zablokovať ani zakryť.
- Nečistoty a cudzie látky držte v bezpečnej vzdialenosti od hydraulického systému nástroja, keďže v opačnom prípade by došlo k poruche nástroja.

**Zásada spoločnosti STANLEY Engineered Fastening podlieha nepretržitému vývoju a zdokonaľovaniu produktov a vyhradzuje si právo zmeniť technické údaje akéhokoľvek produktu bez predchádzajúceho oznámenia.**

## 2. TECHNICKÉ ÚDAJE

Náradie ProSet® XT3 a XT4 je hydro-pneumatické náradie navrhnuté tak, aby vysokou rýchlosťou umiestňovalo slepé nity Stanley Engineered Fastening. Náradie je vybavené sacím systémom na uchytienie nitu a bezproblémový zber použitých trňov bez ohľadu na orientáciu náradia.

Pri pripojení na príslušný mechanizmus ústia sa modely ProSet® XT3 a XT4 môžu použiť na umiestňovanie slepých nitov v rozsahu  $\varnothing$  4,0 mm až  $\varnothing$  6,4 mm. Pozrite si tabuľku na strane 10, kde nájdete zoznam všetkých nitov, ktoré sa dajú umiestniť.

Bezpečnostné upozornenia na stranách 2 a 4 sa musia dodržiavať za každých okolností.

**NEPOUŽÍVAJTE** v mokrom stave alebo v prítomnosti horľavých kvapalín alebo plynov.

### 2.1. TECHNICKÉ ÚDAJE NÁRADIA

	XT3		XT4	
<b>Sila v ťahu:</b> Pri 5,5 baru	17,0 kN	3822 lbf	23,0 kN	5193 lbf
<b>Tlak privodu vzduchu:</b> Min. až max.	5,0 – 7,0 barov	72,5 – 101,5 lbf/in <sup>2</sup>	5,0 – 7,0 barov	72,5 – 101,5 lbf/in <sup>2</sup>
<b>Tlak oleja:</b> Ťah pri 5,5 baru	290 barov	4206 lbf/in <sup>2</sup>	395 barov	5729 lbf/in <sup>2</sup>
<b>Záber:</b> Minimálny ťah piestu	26,0 mm	1,02 palca	18,0 mm	0,91 palca
<b>Hmotnosť:</b> Vráťane mechanizmu ústia	2,24 kg	4,94 lb	2,26 kg	4,98 lb
<b>Hmotnosť:</b> bez mechanizmu ústia	2,00 kg	4,41 lb	2,02 kg	4,41 lb
<b>Objem voľného vzduchu:</b> Pri 5,5 baru	6,3 litra	384,4 palca <sup>3</sup>	6,3 litra	384,4 palca <sup>3</sup>
<b>Čas cyklu:</b> Približne	0,9 sekundu		1,0 sekundu	

Hodnoty hluku stanovené podľa kódu hlukových skúšok v norme ISO 15744 a ISO 3744.		XT3	XT4
Vážená hladina akustického výkonu A dB(A), $L_{WA}$	Odchýlka hluku: $k_{WA} = 3,0$ dB(A)	90,3 dB(A)	89,7 dB(A)
Vážená hladina emisií akustického tlaku A na pracovisku dB(A), $L_{PA}$	Odchýlka hluku: $k_{PA} = 3,0$ dB(A)	79,3 dB(A)	78,7 dB(A)
Vážená hladina špičkových emisií akustického tlaku C dB(C), $L_{PC}$ , špičková	Odchýlka hluku: $k_{PC} = 3,0$ dB(C)	82,7 dB(C)	81,5 dB(A)

Hodnoty vibrácií stanovené podľa kódu skúšok vibrácií v norme ISO 20643 a ISO 5349.		XT3	XT4
Úroveň emisií vibrácií, $a_{hd}$ :		1,41 m/s <sup>2</sup>	1,80 m/s <sup>2</sup>
Odchýlka vibrácií: k		0,70 m/s <sup>2</sup>	0,90 m/s <sup>2</sup>
Deklarované hodnoty emisií vibrácií v súlade s normou EN 12096			



## 2.2 TECHNICKÉ ÚDAJE UMIESTŇOVANIA

Typ nitu	Priemer nitu v mm [palcoch]										
	4 [5/32]	4,3	4,8 [3/16]	6	6,4 [1/4]	7	8	9	10	11	12
Otvorený koniec	●*		●**		●						
Uzatvorený koniec	●*		●**		●						
HR	●*		●		●						
HS					● (3)						
Multi-Grip	●*		●**		●						
TL	●*		●								
T nit (Emhart)	●*		●		●						
Self-Pluggger	●*		●		●						
Ultra Grip (UG) (NPR)					⊗ (3)						
CD					● (3)						
Avex <sup>®</sup>	● (2)		● (2)		● (2)						
Stavex <sup>®</sup>	● (2)		● (2)		● (1)(3)						
Avinox <sup>®</sup> / Avibulb <sup>®</sup>	● (2)		● (2)	● (2)							
Avinox <sup>®</sup> XT/Avi- bulb <sup>®</sup> XT					● (1)(3)						
LSR/Bulbex <sup>®</sup>	● (2)		● (2)								
T-Lok <sup>®</sup>		● (2)	● (2)								
Avdel <sup>®</sup> SR	● (2)		● (2)		● (2)						
Hemlok <sup>®</sup>					● (1)(3)						
Interlock <sup>®</sup>			⊗ (2)		⊗ (1)(3)						
Maxlok <sup>®</sup>			● (3)		⊗ (3)						
Monobolt <sup>®</sup>			⊗ (1)(2)		⊗ (1)(3)						
Avtainer <sup>®</sup>									⊗ (1)(3)		
Avseal <sup>®</sup> (STD)				● (1)(3)		● (1)(3)	● (1)(3)	● (1)(3)	⊗ (1)(3)		
Avseal <sup>®</sup> (nízky tlak)							● (1)(3)	● (1)(3)	● (1)(3)	⊗ (1)(3)	⊗ (1)(3)
Q nit	● (2)		● (2)		● (2)						
T nit (Avdel)			● (1)(2)		● (1)(2)						
Avdelmate <sup>®</sup>			● (2)		● (2)						
Klamp-Tite <sup>®</sup> BAPK			⊗ (2)		⊗ (2)						
Klamp-Tite <sup>®</sup> BAPKTR			⊗ (1)(2)		⊗ (1)(2)						
Avdelok <sup>®</sup>			● (3)		⊗ (3)						

\* Použite čeluste PRG540-46 a montážny prvok zatláčača čeluste FAN276-064

\*\* Použite čeluste PRG540-46.

● Vztahuje sa na model náradia XT3 a XT4

⊗ Vztahuje sa iba na model náradia XT3

⊗ Vztahuje sa len na model náradia XT4

(1) Vyžaduje sa neštandardný mechanizmus ústia

(2) K dispozícii je alternatívny typ mechanizmu ústia

(3) Vyžaduje sa neštandardný mechanizmus ústia.

Kompletný zoznam kompatibilných mechanizmov ústia pre každý typ nitu, a to spolu s pokynmi pre montáž a údržbu, nájdete v príručke mechanizmov ústia ProSet® 07900-09414

### 2.3 OBSAH BALENIA

- 1 náradie na slepé nity ProSet® XT3 alebo XT4.
- 1 súprava štandardného\* mechanizmu ústia a dielov ústia pre 4,8 mm [3/16"] a 6,4 mm [1/4"] nity.
- 1 tlačený návod na použitie – v závislosti od oblasti.

### 2.4 ZOZNAM HLAVNÝCH KOMPONENTOV

Obráťte sa na obrázok 1 a 2 a na nižšie uvedenú tabuľku.

Položka	Katalógové číslo	Popis	Množstvo
1	76003-15000*	Štandardný mechanizmus ústia	1
2	76003-02022	Odpružený hák	1
3	76003-05200	Zberný priestor trňov	1
4	07001-00405	Olejová zátka	1
5	07003-00194	Tesnenie	1
6	76003-02008	Spúšť	1
7	76003-03700	Ventil zap./vyp.	1
8	71210-02103	Uzamykacia matica	1

### 2.5 ŠTANDARDNÝ MECHANIZMUS ÚSTIA

Obráťte sa na obrázok 2 a na nižšie uvedenú tabuľku.

Položka	Katalógové číslo	Popis	Množstvo
1c	PRN614	Mechanizmus ústia – 4,8 mm [3/16"] (osadený)	1
1d	PRN811	Mechanizmus ústia – 6,4 mm [1/4"]	1
1e	76003-15001	Puzdro ústia	1
1f	07003-00067	Tesniaci krúžok	1
1g	DPN276-001	Vodiaci prvok čeluste	1
1h	PRG540-44	Čeluste	1 súprava
1i	DPN276-006	Vytlačáč čeluste	1
1j	DPN900-060	Tesniaci krúžok	1
1k	DPN901-019	Pružina zatlačáča čeluste	1
1l	76003-15002	Sťahovacia hlava	1
1m	76003-15004	Uzamknutie vodiaceho prvku čeluste	1
1n	DPN901-020	Pružina	1
1o	76003-15003	Adaptér sťahovacej hlavy	1
1p	07003-00277	Tesniaci krúžok	1

Dodatocné mechanizmy ústia nájdete v príručke mechanizmov ústia ProSet® 07900-09414 alebo navštívte stránku [www.stanleyengineeredfastening.com/resource-center/document-library](http://www.stanleyengineeredfastening.com/resource-center/document-library)

Kompletný zoznam príslušenstva náradie nájdete v príručke príslušenstva ProSet 07900-09415.

\* Mechanizmus ústia sa nedodáva so základným náradím Proset XT3 (76003-01000) a Proset XT4 (76004-01000).

### 3. NASTAVENIE NÁRADIA

**DÔLEŽITÉ – PRED UVEDENÍM NÁRADIA DO PREVÁDZKY SI POZORNE PREŠTUDUJTE BEZPEČNOSTNÉ VÝSTRAHY NA STRANE 6 A 8.**

**DÔLEŽITÉ – PRED NASADENÍM ALEBO ODŇATÍM MECHANIZMU ÚSTIA JE POTREBNÉ VYPNÚŤ ALEBO ODPOJIŤ PRÍVOD VZDUCHU.**

#### 3.1 MECHANIZMUS ÚSTIA (Ref. obr. 2)

Čísla položiek hrubým písmom sa vzťahujú na komponenty na obrázkoch 1 a 2 a v tabuľkách na strane 11.

Kompletné náradie sa dodá vopred zložené s mechanizmom ústia pre 4,8 mm [3/16"] nity.

K dispozícii je dodatočný mechanizmus ústia pre 6,4 mm [1/4"] nity, ktorý sa dodáva samostatne.

#### Montáž dielu ústia

- Prívod vzduchu sa musí odpojiť.
- Vyberte správny diel ústia pre nit, ktorý idete inštalovať.
- Odpojte puzdro ústia (**1e**), a to vrátane prvku ústia (**1a, b, c alebo d**) a tesniaceho krúžku (**1f**).
- Odpojte diel ústia (**1a, b, c alebo d**) od puzdra ústia (**1e**).
- Vyberte prvok ústia relevantnej veľkosti a zložte ho v opačnom poradí.

#### Odpojenie kompletného mechanizmu ústia.

- Prívod vzduchu sa musí odpojiť.
- Z nástroja odpojte puzdro ústia (**1e**), a to vrátane prvku ústia (**1a, b, c alebo d**) a tesniaceho krúžku (**1f**).
- Zatiahnite naspäť uzamknutie vodiaceho prvku čeluste (**1m**) oproti pružine (**1n**) a potom odpojte vodiaci prvok čeluste (**1g**).
- Odpojte čeluste (**1h**) od vodiaceho prvku čeluste (**1g**).
- Odpojte zatlačáč čeluste (**1i**), tesniaci krúžok (**1j**) a pružinu zatláčača čeluste (**1k**) zo sťahovacej hlavy (**1l**).
- Odpojte montážny prvok sťahovacej hlavy (**1q**) z piestu náradia pomocou kľúča na matice

#### Montáž kompletného mechanizmu ústia

- Prívod vzduchu sa musí odpojiť
- Každý opotrebovaný alebo poškodený diel by sa mal vymeniť.
- Vyčistite čeluste (**1h**) a skontrolujte ich opotrebovanie.
- Uistite sa, že zatláčač čeluste (**1i**) alebo pružina zatláčača čeluste (**k**) nie sú zdeformované.
- Čeluste (**1h**) mierne prekryte plastickým lítiovým mazadlom.
- Spustite čeluste (**1h**) do vodiaceho prvku čeluste (**1g**).
- Zasuňte zatláčač čeluste (**1i**) a tesniaci krúžok (**1j**) do sťahovacej hlavy (**1l**).
- Zatiahnite naspäť uzamknutie vodiaceho prvku čeluste (**1m**) a zaskrutkujte vodiaci prvok čeluste (**1g**) úplne na sťahovaciu hlavu (**1l**).
- Uvoľnite uzamknutie vodiaceho prvku čeluste (**1m**) a následne čiastočne odskrutkujte vodiaci prvok čeluste (**1g**), kým ozubenie uzamknutia vodiaceho prvku čeluste (**1m**) nezapadne do nasledujúceho priečinka na vodiacom prvku čeluste (**1g**).
- Umiestnite puzdro ústia (**1e**) cez vodiaci prvok čeluste (**1g**) a úplne ho utiahnite na nástroji.

Mechanizmy ústia sa majú podrobovať servisu v týždňových intervaloch. Mali by ste si vytvoriť zásobu všetkých interných komponentov mechanizmu ústia a prvkov ústia, pretože budú vyžadovať pravidelnú výmenu.

#### 3.2 PRÍVOD VZDUCHU (Ref. obr. 3.)

Komponenty

- Zastavovací ventil (používa sa počas údržby filtra/regulátora alebo mazacích jednotiek)
- Regulátor tlaku a filter (každodenné vypúšťanie)
- Odtokový bod hlavného prívodu
- Vývodový bod od hlavného prívodu

- Všetko náradie sa prevádzkuje stlačeným vzduchom pri minimálnom tlaku 5,0 baru.

- Tlakové regulátory a systémy na automatické olejovanie/filtráciu sa majú používať na hlavnom prívode vzduchu do vzdialenosti 3 metrov od náradia (pozrite si obr. 3).
- Všetky prívodné hadice budú mať minimálny rating efektívneho prevádzkového tlaku minimálne o 150 % vyšší ako je hodnota maximálneho tlaku vytváraného systémom alebo hodnota 10 barov, podľa toho, ktorá z týchto hodnôt je vyššia.
- Vzduchové hadice musia byť odolné voči oleju, mať vonkajšie časti odolné voči abrázii a pokiaľ môže dôjsť vplyvom prevádzkových podmienok k poškodeniu hadíc, musia byť vystužené.
- Všetky hadice MUSIA mať minimálny vnútorný priemer 6,4 milimetra.
- Skontrolujte, či nedochádza k úniku vzduchu. V prípade poškodenia je možné hadice a spojovacie diely nahradiť novými kusmi.
- Ak sa na tlakovom regulátore nenachádza filter, pred pripojením vzduchovej hadice k náradiu odvdzušnite vzduchový rozvod, aby ste z neho odstránili akumulované nečistoty alebo vodu.

### 3.3 PRINCÍP PREVÁDZKY

**UPOZORNENIE – SPRÁVNÝ PRÍVODNÝ TLAK JE DÔLEŽITÝM PREDPOKLADOM Z HĽADISKA NÁLEŽITEJ FUNKČNOSTI INŠTALAČNÉHO NÁRADIA. V PRÍPADE NESPRÁVNEHO TLAKU MÔŽE DÔJSŤ K UBLÍŽENIU NA ZDRAVÍ ALEBO POŠKODENIU ZARIADENIA. PRÍVODNÝ TLAK NESMIE PREKROČIŤ HODNOTY UVEDENÉ V ŠPECIFIKÁCIÁCH UMIESTŇOVACIEHO NÁRADIA.**

Číslo položiek hrubým písmom sa vzťahujú na komponenty na obrázkoch 1 a 2 a v tabuľkách na strane 11.

Keď sa pneumatická hadica pripojí k umiestňovaciemu náradiu, ťažný a vratný cyklus náradia sa ovláda stlačením a uvoľnením spúšte (6) nachádzajúcej sa na rukoväti.

- Prívod vzduchu je odpojený.
- Pripojte vhodný mechanizmus ústia tak, ako je opísané na stranách 10 a 12.
- Pneumatickú hadicu pripojte k ventilu zap./vyp. vzduchu (7).
- Pripojte hlavný prívod vzduchu pneumatickej hadice.
- Pripojte hlavný prívod k náradiu tak, že prepnete ventil zap./vyp. vzduchu (7) do hornej polohy.
- Vzduch sa teraz privádza k nástroju a je spustený sací systém.
- Niekoľkokrát zatlačte a uvoľnite spúšť (6) až po plný ťah náradia, aby ste skontrolovali jeho prevádzku. Pozorujte činnosť náradia. Skontrolujte, či nie sú úniky kvapaliny a/alebo vzduchu.

## 4. POSTUP PREVÁDZKY

### 4.1 PREVÁDZKA NÁRADIA (Ref. obr. 1, 4, 5, 6)

#### Inštalácia slepého nitu

- Uistite sa, že je pripojený zberný priestor trňov (3).
- Zapojte zberný priestor nitov na mechanizmus ústia (1a, b, c alebo d). Sací systém udrží nit v prvku ústia.
- Umiestnite náradie.
- Uistite sa, či je mechanizmus ústia v pravom uhle (90°) k obrobkú.
- Potiahnite a podržte stlačenú spúšť (6), kým sa nit úplne neumiestni na svoje miesto.
- Po úplnom nastavení nitu uvoľnite spúšť (6). Náradie sa automaticky vráti do svojej úvodnej polohy. Trň vďaka saciemu systému automaticky vypadne do zberného priestoru trňov (3).
- Zberný priestor trňov sa musí vyprázdniť skôr, ako bude do polovice plný.

**UPOZORNENIE – NETLAČTE SILOU PRI VKLADANÍ ZBERNÉHO PRIESTORU TRŇOV ALEBO NA TELO NITU. TOTO SPÔSOBÍ POŠKODENIE NÁRADIA A/ALEBO APLIKÁCIE.**

### 4.2 VYPRÁZDŇOVANIE ZBERNÉHO PRIESTORU TRŇOV (Ref. obr. 1)

#### UPOZORNENIE – NEPOUŽÍVAJTE NÁRADIE, KEĎ JE ODPOJENÝ ZBERNÝ PRIESTOR TRŇOV

- Náradie je vybavené zberným priestorom trňov s rýchlym pripojením/odpojením (3).
- 60° otočenie odpojí alebo nahradí zberný priestor trňov.
- Odpojením zberného priestoru trňov (3) od náradia sa automaticky VYPNE sacie uchytenie nitu a odsávací systém trňov.
- Opätovné upevnenie zberného priestoru trňov ZAPNE sací systém.

## 5. SERVIS NÁRADIA

### 5.1 ČASTOSŤ ÚDRŽBY

Vyškolení personál je povinný vykonávať pravidelný servis a raz ročne alebo každých 500 000 cyklov (podľa toho, ktorý z prípadov nastane skôr) náradie podrobovať komplexnej prehliadke.



ODPOJENIE PRÍVODU VZDUCHU



**UPOZORNENIE** – Na čistenie nekovových častí náradia nikdy nepoužívajte rozpúšťadlá ani iné agresívne chemikálie.

Tieto chemikálie môžu oslabiť materiály používané na týchto dieloch.

### 5.2 MECHANIZMUS ÚSTIA

Mechanizmy ústia sa musia podrobovať servisu v týždňových intervaloch alebo po každých 5 000 cykloch. Vytvorte si zásobu všetkých interných komponentov mechanizmu ústia a prvkov ústia, pretože budú vyžadovať pravidelnú výmenu.

- Odpojte prívod vzduchu
- Pomocou postupu opísaného v časti 3.1 odpojte kompletný mechanizmus ústia.
- Skontrolujte všetky komponenty. Každý opotrebovaný alebo poškodený diel sa musí vymeniť za nový diel.
- Kontrolujte obzvlášť opotrebovanie na čelustiach (**1h**).
- Vyčistite všetky diely a použite plastické lítiové mazadlo (07992-00020) na čeluste (**1h**) a kužeľový otvor vodiaceho prvku čeluste (**1g**).
- Montáž vykonajte podľa pokynov na nasadenie v časti 3.1.

### 5.3 DENNÝ SERVIS

- Pred použitím skontrolujte, či na náradí, hadici a spojovacích dieloch nedochádza k úniku vzduchu alebo oleja. V prípade poškodenia vyradte náradie z prevádzky a vymeňte dotknuté predmety za nové.
- Ak sa na tlakovom regulátore nenachádza filter, pred pripojením vzduchovej hadice k náradiu odzdušnite vzduchový rozvod, aby ste z neho odstránili akumulované nečistoty alebo vodu. Ak je nasadený filter, prepláchnite ho.
- Skontrolujte, či je mechanizmus ústia (**1**) správny pre umiestňovaný nit a že je správne nasadený.
- Skontrolujte, či ťah náradia vyhovuje minimálnym technickým údajom (ref. 2.1).
- Zberný priestor trňov (**3**) sa musí osadiť na náradie.
- Skontrolujte, či je vzduchová komora úplne utiahnutá na telo náradia.

### 5.4 TÝŽDENNÝ SERVIS

- Pred použitím skontrolujte, či na náradí, hadici a spojovacích dieloch nedochádza k úniku vzduchu alebo oleja. V prípade poškodenia vyradte náradie z prevádzky a vymeňte dotknuté predmety za nové.

Kompletné pokyny k servisu, riešeniu problémov a údržbe nájdete v servisnej príručke č. 07900-09410 pre model XT3 a 07900-09411 pre model XT4.

Bezpečnostné údaje týkajúce sa maziva a oleja použitého v tomto náradí nájdete v servisnej príručke č. 07900-09410 pre model XT3 a 07900-09411 pre model XT4.

### 5.5 OCHRANA ŽIVOTNÉHO PROSTREDIA

Zaistite zhodu s platnými predpismi o likvidácii. Zlikvidujte všetky odpadové produkty v schválenom zariadení na likvidáciu odpadu alebo v prevádzke tak, aby ste nevystavovali zamestnancov ani životné prostredie nebezpečenstvu.

## 6. VYHLÁSENIE O ZHODE S EÚ

My, **Stanley Engineered Fastening, Stanley House, Works Road, Letchworth Garden City, Hertfordshire, SG6 1JY SPOJENÉ KRÁLOVSTVO**, prehlasujeme na našu vlastnú zodpovednosť, že výrobok:

**Popis:** **Hydropneumatické náradie ProSet® XT3 a ProSet® XT4 pre slepé nity**  
**Model:** **POP-Avdel®/76003 a POP-Avdel®/76004**

na ktorý sa vzťahuje toto vyhlásenie, dosahuje zhodu s nasledujúcimi harmonizovanými normami:

ISO 12100: 2010	EN ISO 3744: 2010
EN ISO 11202: 2010	EN ISO 11148-1: 2011
EN ISO 4413: 2010	BS EN 28662-1: 1993
EN ISO 4414: 2010	EN ISO 20643: 2008+A1: 2012
EN ISO 28927-5:2009+A1:2015	ES100118-rev. 17:2017

Technická dokumentácia je zostavená v súlade s Prílohou 1, oddiel 1.7.4.1, v súlade s nasledujúcou normou:

**Smernica o strojových zariadeniach 2006/42/ES**

(Štatutárne nástroje 2008 č. 1597 - vzťahujúce sa (bezpečnostné) smernice o dodávke strojov).

Podpísaný uskutočňuje toto vyhlásenie v mene spoločnosti STANLEY Engineered Fastening.



**A. K. Seewraj**

**Director of Engineering, Spojené kráľovstvo**

Avdel UK Limited, Stanley House, Works Road, Letchworth Garden City, Hertfordshire,  
 SG6 1JY SPOJENÉ KRÁLOVSTVO

**Miesto vystavenia:** **Letchworth Garden City, Spojené kráľovstvo**

**Dátum vystavenia:** **13. 1. 2017**

Podpísaný je zodpovedný za vytvorenie technického súboru pre produkty predávané v Európskej únii a vykonáva toto prehlásenie v mene spoločnosti Stanley Engineered Fastening.

**Matthias Appel**

**Vedúci tímu pre technickú dokumentáciu**

Stanley Engineered Fastening, Tucker GmbH, Max-Eyth-Str.1,  
 35394 Gießen, Nemecko



**Toto strojové zariadenie je v súlade  
 so smernicou o strojových zariadeniach 2006/42/ES**

## 7. VYHLÁSENIE O ZHODE S VB

My, **Stanley Engineered Fastening, Stanley House, Works Road, Letchworth Garden City, Hertfordshire, SG6 1JY SPOJENÉ KRÁĽOVSTVO**, prehlasujeme na našu vlastnú zodpovednosť, že výrobok:

**Popis:** **Hydropneumatické náradie ProSet® XT3 a ProSet® XT4 pre slepé nity**  
**Model:** **POP-Avdel®/76003 a POP-Avdel®/76004**

na ktorý sa vzťahuje toto vyhlásenie, dosahuje zhodu s nasledujúcimi určenými normami:

ISO 12100: 2010	EN ISO 3744: 2010
EN ISO 11202: 2010	EN ISO 11148-1: 2011
EN ISO 4413: 2010	BS EN 28662-1: 1993
EN ISO 4414: 2010	EN ISO 20643: 2008+A1: 2012
EN ISO 28927-5:2009+A1:2015	ES100118-rev. 17:2017

Technická dokumentácia sa zostavila v súlade s (Bezpečnostnými) nariadeniami pri dodávke strojov 2008, S.I. 2008/1597 (v znení neskorších predpisov).

Podpísaný uskutočňuje toto vyhlásenie v mene spoločnosti STANLEY Engineered Fastening.



**A. K. Seewraj**

**Director of Engineering, Spojené kráľovstvo**

Avdel UK Limited, Stanley House, Works Road, Letchworth Garden City, Hertfordshire,  
 SG6 1JY SPOJENÉ KRÁĽOVSTVO

**Miesto vystavenia:** **Letchworth Garden City, Spojené kráľovstvo**

**Dátum vystavenia:** **13. 1. 2017**



**Toto strojové zariadenie je v súlade so  
 Predpisy o dodávkach strojových zariadení  
 (bezpečnosť) z roku 2008, S.I. 2008/1597 (v znení  
 neskorších predpisov)**



## 8. CHRÁŇTE SVOJU INVESTÍCIU!

### 8.1 ZÁRUKA NÁRADIA NA UMIESTŇOVANIE SLEPÝCH NITOV POP'AVDEL\*

Spoločnosť STANLEY Engineered Fastening garantuje, že každé elektrické náradie bolo starostlivo vyrobené a pri bežnom používaní a údržbe nebude vykazovať materiálové ani výrobné nedostatky po dobu jedného (1) roka. Táto záruka sa vzťahuje výlučne na prvého kupujúceho náradia pre pôvodné použitie.

#### **Výluky:**

##### **Bežné opotrebenie.**

Pravidelná údržba, oprava a náhradné diely vyvstávajúce z bežného opotrebenia sú vyňaté z krytia.

##### **Hrubé a nenáležité používanie.**

Poruchy alebo poškodenia vyvstávajúce z nenáležitej obsluhy, skladovania, nevhodného či hrubého používania, nehody alebo zanedbania (napr. fyzické poškodenia) sú vyňaté z krytia.

##### **Neautorizovaný servis alebo modifikácia.**

Nedostatky alebo škody vyvstávajúce zo servisu, testovania modifikácií, inštalácie, údržby, pozmeňovania alebo akejkoľvek modifikácie realizovanej kýmkoľvek iným ako zástupcom spoločnosti STANLEY Engineered Fastening alebo jej autorizovaným servisným strediskom sú vyňaté z krytia.

Všetky ostatné záruky, či už výslovné alebo odvodené, vrátane záruky na predajnosť či vhodnosť na konkrétny účely sú týmto vylúčené.

V prípade, ak dôjde k poruche náradia a chcete si naň uplatniť záručné krytie, náradie okamžite vráťte do nášho továrenského autorizovaného servisného strediska vo vašom najbližšom okolí. Zoznam autorizovaných servisných stredísk spoločnosti POP'Avdel® v USA a Kanade žiadajte na bezplatnom telefónnom čísle (877)364 2781.

Mimo USA a Kanady navštívte našu webovú stránku **www.StanleyEngineeredFastening.com**, kde nájdete najbližšie zastupiteľstvo spoločnosti STANLEY Engineered Fastening.

Spoločnosť STANLEY Engineered Fastening následne bezplatne vymení akýkoľvek diel alebo diely, o ktorých sa zistí, že sú chybné vinou chybného materiálu alebo dielenského vyhotovenia a na vlastné náklady zabezpečí zaslanie náradia späť k vám. Toto predstavuje náš jediný záväzok, ktorý nám vyplýva z tejto záruky. Spoločnosť STANLEY Engineered Fastening nebude za žiadnych okolností niesť zodpovednosť za akékoľvek dôsledkové či špeciálne škody vyvstávajúce zo zakúpenia či používania tohto náradia.

### 8.2 ZAREGISTRUJTE SVOJE NÁRADIE NA SLEPÉ NITY ONLINE.

Ak si chcete zaregistrovať záruku online, navštívte nás na adrese

<http://www.stanleyengineeredfastening.com/popavdel-powertools/warranty-card>.

Ďakujeme vám, že ste si vybrali náradie značky POP'Avdel® od spoločnosti STANLEY Engineered Fastening.

©2017 Stanley Black & Decker inc.

Vse pravice pridržane.

Brez predhodnega pisnega dovoljenja STANLEY Engineered Fastening, informacij, ki so navedene v tem gradivu, ni dovoljeno reproducirati niti jih javno objavljati na kakršni koli način in preko nobenih sredstev (elektronsko ali mehansko). Te informacije so osnovane na podatkih, znanih v trenutku predstavitve tega izdelka. STANLEY Engineered Fastening izvaja politiko nenehnih izboljšav izdelkov, zato so slednji lahko predmet sprememb. Informacije, ki so navedene, se nanašajo na izdelke, ki jih dobavlja STANLEY Engineered Fastening. Zato STANLEY Engineered Fastening ne more biti odgovorno za kakršno koli škodo, ki nastane zaradi odstopanj od prvotnih specifikacij izdelka.

Informacije so zbrane in zasnovane z največjo možno skrbnostjo. Vsekakor pa STANLEY Engineered Fastening ne sprejema nobene odgovornosti v zvezi z vsemi napakami in informacijah in tudi ne odgovarja za tovrstne posledice. STANLEY Engineered Fastening ne odgovarja za škodo, ki izhaja iz dejanj tretjih oseb. Delovna imena, trgovska imena, registrirane blagovne znamke itd., ki jih uporablja Stanley Engineered Fastening, ne bi smeli obravnavati kot prosto dostopne, vendar je treba, v skladu z zakonodajo s področja zaščite blagovnih znamk, slednje obravnavati z odgovornostjo.

## Vsebina

<b>1.</b>	<b>VARNOSTNE DEFINICIJE</b> .....	<b>2</b>
1.1	SPLOŠNA VARNOSTNA PRAVILA.....	2
1.2	NEVARNOST IZVRŽENIH DELCEV.....	2
1.3	NEVARNOSTI MED DELOVANJEM.....	3
1.4	NEVARNOSTI PRI PONAVLJAJOČIH SE GIBIH.....	3
1.5	NEVARNOSTI PRI UPORABI DODATNE OPREME.....	3
1.6	NEVARNOSTI NA DELOVNEM MESTU.....	4
1.7	NEVARNOSTI ZARADI HRUPA.....	4
1.8	NEVARNOSTI ZARADI TRESLJAJEV.....	4
1.9	DODATNA VARNOSTNA NAVODILA ZA PNEVMATSKA ELEKTRIČNA ORODJA.....	4
<b>2.</b>	<b>SPECIFIKACIJE</b> .....	<b>5</b>
2.1.	SPECIFIKACIJE ORODJA.....	5
2.2	SPECIFIKACIJE VSTAVLJANJA.....	6
2.3	VSEBINA PAKETA.....	7
2.4	SEZNAM GLAVNIH SESTAVNIH DELOV.....	7
2.5	STANDARDNI NOS.....	7
<b>3.</b>	<b>NAMESTITEV ORODJA</b> .....	<b>8</b>
3.1	OPREMA NOSU (gl. sl. 2).....	8
3.2	DOVOD ZRAKA (gl. sl. 3.).....	8
3.3	PRINCIP DELOVANJA.....	9
<b>4.</b>	<b>POSTOPEK DELOVANJA</b> .....	<b>10</b>
4.1	DELOVANJE ORODJA (gl. sl. 1, 4, 5, 6).....	10
4.2	PRAZNIJENJE ZBIRALNIKA ODPADNIH TRNOV (gl. sl. 1).....	10
<b>5.</b>	<b>SERVISIRANJE ORODJA</b> .....	<b>11</b>
5.1	POGOSTOST VZDRŽEVANJA.....	11
5.2	NOS.....	11
5.3	DNEVNO SERVISIRANJE.....	11
5.4	TEDENSKO SERVISIRANJE.....	11
5.5	VAROVANJE OKOLJA.....	11
<b>6.</b>	<b>ES-IZJAVA O SKLADNOSTI</b> .....	<b>12</b>
<b>7.</b>	<b>IZJAVA ZK O SKLADNOSTI</b> .....	<b>13</b>
<b>8.</b>	<b>ZAŠČITITE SVOJO NALOŽBO!</b> .....	<b>14</b>
8.1	GARANCIJA ZA ORODJE ZA SLEPE ZAKOVICE POP*AVDEL®.....	14
8.2	REGISTRIRAJTE SVOJE ORODJE ZA SLEPE ZAKOVICE NA SPLETU.....	14



Ta priročnik za uporabo mora prebrati vsaka oseba, ki namešča ali uporablja orodje, pri čemer je obvezno upoštevati naslednje varnostne predpise.



Med uporabo orodja vedno nosite zaščito za oči, odporno proti udarcem. Stopnjo zahtevane zaščite je treba oceniti pred vsako uporabo.



Zaščito sluha uporabljajte v skladu z delodajalčevimi navodili in kot jo zahtevajo predpisi o zaščiti zdravja in varnosti na delovnem mestu.



Uporaba orodja lahko izpostavi upravljavčeve roke nevarnostim, vključno z drobljenjem, udarcem, rezom, odrgninam in vročini. Za zaščito rok nosite primerne rokavice.

## 1. VARNOSTNE DEFINICIJE

Definicije spodaj opisujejo stopnjo resnosti sleherne opozorilne besede. Preberite navodila in bodite pozorni na te simbole.



**NEVARNOST:** Prikazuje neposredno nevarno situacijo, ki bo povzročila smrt ali resno poškodbo, če je ne preprečite.



**OPOZORILO:** Prikazuje potencialno nevarno situacijo, ki lahko povzroči smrt ali hude telesne poškodbe, če je ne preprečite.



**POZOR:** Prikazuje potencialno nevarno situacijo, ki bi lahko, povzročila manjšo ali srednje hudo poškodbo, če je ne preprečite.

**POZOR:** Uporaba brez opozorilnega simbola, prikazuje potencialno nevarno situacijo, ki lahko, če se ji ne izognete, povzroči materialno škodo.

**Nepravilna uporaba ali vzdrževanje tega izdelka lahko povzroči hude telesne poškodbe in materialno škodo. Pred uporabo opreme zato pazljivo preberite ter razumite vsa opozorila in navodila za uporabo. Zaradi zmanjševanja tveganja za požar, električni udar ali telesne poškodbe, je pri uporabi električnega orodja treba upoštevati osnovne varnostne ukrepe.**

### VSA OPOZORIILA IN NAVODILA ZA UPORABO SHRANITE ZA KASNEJŠO UPORABO

#### 1.1 SPLOŠNA VARNOSTNA PRAVILA

- Za zaščito pred nevarnostmi preberite in razumite varnostna navodila pred nameščanjem uporabo, popravljanjem vzdrževanjem, menjave opreme na orodju ali, ko delate v njegovi bližini. Napake lahko povzročijo hude telesne poškodbe.
- Orodje sme namestiti, nastavljati ali uporabljati le kvalificirani in usposobljeni upravljavec.
- Orodja za slepe zakovice STANLEY Engineered Fastening nikoli ne uporabljajte za nepredvidena opravila.
- Uporabite le dele, pritrdila in dodatke, ki jih priporoča proizvajalec.
- NE spreminjajte orodja. Spremembe lahko zmanjšajo učinkovitost varnostnih ukrepov in povečajo tveganje za upravljavca. Vsaka predelava orodja, ki jo izvede uporabnik je v celoti njegova odgovornost, hkrati pa tovrstno dejanje izniči vse veljavne garancije.
- Ne zavržite varnostnih navodil, dajte jih upravljavcu.
- Ne uporabljajte orodja, če je poškodovano.
- Pred uporabo orodja preverite nastavitve, pritrditev ali prosto gibanje premikajočih se delov, njihovo brezhibnost in druge pogoje, ki lahko vodijo do nevarnosti pri delu. Poškodbe naj, pred nadaljnjo uporabo orodja, odpravi ustrezno usposobljeni strokovnjak. Pred zagonom orodja z njega odstranite vse ključne in pripomočke za nastavljanje.
- V rednih časovnih razmikih je treba pregledati orodje in zagotoviti, da so podatki o zmogljivosti in oznake, ki jih zahteva ta del standarda ISO 11148, pravilno in čitljivo označene na orodju. Zaposleni/uporabniki morajo za nabavo nadomestnih označevalnih nalepk kontaktirati s proizvajalcem, če je treba.
- Poskrbite, da bo orodje vedno v varnem delovnem stanju, hkrati pa ga redno pregledujte glede morebitnih poškodb in delovanja. Orodje naj razstavlja le usposobljeno osebje. Orodja nikoli ne razstavlajte brez predhodne preučitve navodil za vzdrževanje.

#### 1.2 NEVARNOST IZVRŽENIH DELCEV

- Pred vsakim vzdrževanjem, nastavljanjem, prilagajanjem ali odstranjevanjem sklopa nosu ali dodatne opreme odklopite cev za dovajanje zraka.

- Zavedajte se, da lahko napake pri obdelovancu ali opremi, tudi samega vstavljenega orodja povzročijo izstrelke z veliko hitrostjo.
- Med uporabo orodja vedno nosite zaščito za oči, odporno proti udarcem. Stopnjo zahtevane zaščite je treba oceniti pred vsako uporabo.
- Sočasno je treba oceniti tudi tveganje za druge ljudi v okolici.
- Zagotovite, da bo obdelovanec varno pritrjen.
- Preverite, ali je sredstvo za zaščito proti izstrelkom vijakov in/ali trnov nameščeno in deluje.
- Nikoli NE UPORABLJAJTE orodja brez nameščenega zbiralnika odpadnih trnov.
- Opozorite okolico na možno sunkovito izmetavanje trnov iz sprednjega dela orodja.
- Orodja med uporabo nikoli NE usmerjajte proti ljudem.

### **1.3 NEVARNOSTI MED DELOVANJEM**

- Uporaba orodja lahko izpostavi upravljavčeve roke nevarnostim, vključno z drobljenjem, udarcem, rezom, odrgninam in vročini. Za zaščito rok nosite primerne rokavice.
- Upravljalci in vzdrževalci morajo biti fizično zmožni, da obvladajo velikost, težo in moč orodja.
- Orodje držite pravilno, bodite pripravljeni na odzive ob običajnih ali nenadnih gibih in uporabljajte obe roki.
- Ročaji orodja naj bodo vedno suhi, čisti in brez olja ter masti.
- Med upravljanjem orodja ohranjajte ravnotežje telesa in stabilno stojo.
- Ob prekinitvi dovoda zraka sprostite napravo za zagon in ustavitev.
- Uporabljajte le maziva, ki jih je priporočil proizvajalec.
- Izogibajte se stiku s hidravlično tekočino. Če slučajno pride do stika, prizadeti del temeljito izperite z vodo ter tako zmanjšajte nevarnost za draženje kože.
- Varnostni listi za vsa hidravlična olja in maziva so na voljo na zahtevo pri vašem dobavitelju orodij.
- Izognite se neprimernemu položaju telesa, ker je za te položaje zelo verjetno, da se takrat ne boste sposobni odzvati na običajni ali nepričakovani premik orodja.
- Če je orodje pritrjeno na napravo za vzmetenje, zagotovite, da bo pritrđitev varna.
- Zavedajte se nevarnosti stiska, če nos orodja ni nameščen.
- NE uporabljajte orodja, ki ima odstranjeno ohišje nosu.
- Pred začetkom dela morate imeti roke na varni oddaljenosti od orodja.
- Med prenašanjem orodja prsta nikoli ne držite na sprožilnem stikalu, kajti slednjega bi lahko po nesreči aktivirali ter povzročili poškodbe.
- Pazite, da vam orodje NE pade na tla oz. ne uporabljajte ga namesto kladiva.
- Poskrbite, da odpadni trni zakovic ne bodo povzročali nevarnosti.
- Zbiralnik odpadnih trnov je treba izprazniti, ko je polno do približno polovice.

### **1.4 NEVARNOSTI PRI PONAVLJAJOČIH SE GIBIH**

- Ob uporabi orodja bo upravljavec morda občutil neudobje v dlaneh, rokah, ramenih, vratu ali drugih delih telesa.
- Med uporabo orodja mora upravljavec zavzeti udobni položaj telesa in ohranjati stabilno stojo ter se izogibati nevarnim ali neuravnoteženim položajem telesa. Upravljavca mora spreminjati držo med dolgimi nalogami, to lahko pomaga, da se izogne neudobju in utrujenosti.
- Če upravljavec začuti znake, kot so trajno ali pojavljajoče se neudobje, bolečino, kljuvanje, zbadanje, odrevenelost, pekoči občutek ali okornost, potem teh znakov ne sme prezreti. Sporočiti jih mora delodajalcu in se posvetovati z zdravnikom.

### **1.5 NEVARNOSTI PRI UPORABI DODATNE OPREME**

- Odklopite orodje z dovoda zraka pred namestitvijo ali odstranitvijo sklopa nosu ali dodatne opreme.
- Uporabljajte samo velikosti in tipe dodatne opreme in potrošnega materiala, ki jih priporoča proizvajalec orodja, ne uporabljajte drugih tipov ali velikosti dodatne opreme oz. potrošnega materiala.

### **1.6 NEVARNOSTI NA DELOVNEM MESTU**

- Zdrsi, spotiki in padci so najpogostejši vzroki za poškodbe na delovnem mestu. Zavedajte se, da so spolzka tla posledica uporabe orodja in nevarnost spotika povzročajo cevi za zrak ali hidravlične cevi.
- Bodite pozorni v neznanem okolju. Tam obstajajo skrite nevarnosti, kot so električni ali drugi oskrbovalni kabli.
- Orodje ni namenjeno za uporabo v potencialno eksplozivnem ozračju in ni izolirano proti stiku z električnim tokom.
- Prepričajte se, da v okolici ni električnih kablov, plinskih cevi itd., ki lahko povzročijo nevarnost, če jih poškodujete med uporabo orodja.
- Bodite primerno oblečeni. Ne nosite ohlapnih oblačil ali nakita. Ohranjajte lase, obleko in rokavice proč od premikajočih se delov opreme. Ohlapna oblačila, nakit ali dolgi lasje se lahko zapletejo v premikajoče se dele.
- Poskrbite, da odpadni trni zakovic ne bodo povzročali nevarnosti.

### **1.7 NEVARNOSTI ZARADI HRUPA**

- Izpostavljenosti visoki ravni hrupa lahko povzroči trajno in nepopravljivo izgubo sluha in druge težave, kot so tinitus (zvonjenje, brnenje, žvižganje ali brenčanje v ušesih). Zato sta bistveni ocena tveganja in izvajanje ustreznega nadzora za ta tveganja.
- Ustrezni ukrepi za zmanjšanje tveganja lahko vključujejo materiale za blaženje, ki preprečujejo "zvonjenje" obdelovanca.
- Zaščito sluha uporabljajte v skladu z delodajalčevimi navodili in kot jo zahtevajo predpisi o zaščiti zdravja in varnosti na delovnem mestu.
- Da bi preprečili nepotrebno povečanje ravni hrupa, delajte z orodjem in vzdružite orodje po priporočilih v teh navodilih.
- Med delom z orodjem zagotovite, da bo dušilec v zbiralcu odpadnih trnov nameščen in v brezhibnem stanju.

### **1.8 NEVARNOSTI ZARADI TRESLJAJEV**

- Izpostavljenost tresljam lahko povzroči poškodbe živcev in oskrbe s krvjo na dlaneh in rokah.
- Ko delate na hladnem, nosite topla delovna oblačila in poskrbite, da bodo dlani tople in suhe.
- Če začutite odrevenelost, zbadanje, bolečino ali postane koža na prstih in dlaneh bleda, prenehajte uporabljati orodje, povejte delodajalcu o teh pojavih in se posvetujte z zdravnikom.
- Kjer koli je mogoče, podprite težo orodja s stolom, napenjalnikom ali izravnalnikom tresljev, ker lahko tako lažje držite orodje, če je podprto.

### **1.9 DODATNA VARNOSTNA NAVODILA ZA PNEVMATSKA ELEKTRIČNA ORODJA**

- Tlak zraka v dovodu zrak ne sme presegati 7 barov (100 psi).
- Zrak, ki je pod tlakom, lahko povzroči hude poškodbe.
- Vklapljenega orodja nikoli ne pustite brez nadzora. Ko orodja ne uporabljate ali pred zamenjavo dodatne opreme ali popravili odklopite cev za dovod zraka z orodja.
- Nikoli NE OBRAČAJTE orodja tako, da bo odprtina za odvod zraka na zbiralniku odpadnih trnov obrnjena proti vam ali komurkoli drugemu. Nikoli ne usmerite curka zraka nase ali na ljudi v okolici.
- Cevi, ki zaradi tlaka opletajo, lahko povzročijo hude telesne poškodbe. Vedno preverite, ali cevi in priključki niso poškodovani oz. zrahljani.
- Pred uporabo orodja preverite brezhibnost zračnih cevi ter drugih povezav. Ne mečite težkih predmetov na cevi. Udarec cevi z ostrim predmetom lahko povzroči notranje poškodbe in privede do prezgodnje odpovedi cevi.
- Hladen zrak usmerite stran od rok.
- Kadar koli uporabljate univerzalne vrtljive sklopke (razcepne sklopke), morate namestiti zatiče za zapahnitev in uporabiti varovalni kabel za cevi, da bi zavarovali cev pred morebitnimi napakami prikljopa cevi na orodje ali cevi na cev.
- Orodja nikoli NE dvigujte tako, da ga držite za cev. Za dvigovanje vedno uporabite ročaj.
- Odprtine za prezračevanje morajo biti vedno pretočne.
- Pazite, da v hidravlični sistem ne bo zašla umazanija in drugi tujki, ki bi lahko povzročili okvare.

**Pri STANLEY Engineered Fastening smo izpostavljeni nenehnemu razvoju in izboljšavam orodij, zato si pridržujemo pravico do sprememb specifikacij kateregakoli izdelka, brez predhodnega obvestila.**

## 2. SPECIFIKACIJE

ProSet® XT3 in XT4 sta hidro-pnevmatski orodji podjetja Stanley Engineered Fastening, zasnovani za nameščanje slepih zakovic z visoko hitrostjo. Orodji sta opremljeni z vakuumskim sistemom za pritrdjevanje zakovic in za enostavno zbiranje porabljenih trnov ne glede na usmerjenost orodja.

Pri nameščeni ustrezni opremi nosu lahko orodji ProSet® XT3 in XT4 uporabljate za nameščanje slepih zakovic v razponu od Ø 4,0 mm do Ø 6,4 mm. Celoten seznam zakovic, ki jih s tema orodjema lahko kovičite, je na strani 10.

Ves čas uporabe je treba uporabljati varnostna opozorila na straneh 2 in 4.

**NE** uporabljajte naprave v vlažnih pogojih ali v prisotnosti vnetljivih tekočin in plinov.

### 2.1. SPECIFIKACIJE ORODJA

	XT3		XT4	
<b>Vlečna sila:</b> @ 5,5 bara	17,0 kN	3822 lbf	23,0 kN	5193 lbf
<b>Tlak dovoda zraka:</b> Od najmanj do največ	5,0 - 7,0 bar	72,5 - 101,5 lbf/in <sup>2</sup>	5,0 - 7,0 bar	72,5 - 101,5 lbf/in <sup>2</sup>
<b>Tlak olja:</b> Vlek @ 5,5 bar	290 barov	4206 lbf/in <sup>2</sup>	395 barov	5729 lbf/in <sup>2</sup>
<b>Hod:</b> Minimalni hod bata	26,0 mm	1,02 in.	18,0 mm	0,91 in.
<b>Teža:</b> z nosom	2,24 kg	4,94 lb	2,26 kg	4,98 lb
<b>Teža:</b> brez nosu	2,00 kg	4,41 lb	2,02 kg	4,41 lb
<b>Prosta količina zraka:</b> @ 5,5 bara	6,3 l	384,4 in <sup>3</sup>	6,3 l	384,4 in <sup>3</sup>
<b>Trajanje cikla:</b> Približno	0,9 sekundo		1,0 sekundo	

Vrednost hrupa določena v skladu s testno kodo hrupa ISO 15744 in ISO 3744.		XT3	XT4
Raven zvočne moči z oceno A dB(A), $L_{WA}$	Negotovost hrupa: $k_{WA} = 3,0$ dB(A)	90,3 dB(A)	89,7 dB(A)
Raven zvočnega tlaka z oceno A na delovni postaji dB(A), $L_{pA}$	Negotovost hrupa: $k_{pA} = 3,0$ dB(A)	79,3 dB(A)	78,7 dB(A)
Konica emisije zvočnega tlaka z oceno C dB(C), $L_{pC}$ , konica	Negotovost hrupa: $k_{pC} = 3,0$ dB(C)	82,7 dB(C)	81,5 dB(A)

Vrednost hrupa določena v skladu s testno kodo treslajev ISO 20643 in ISO 5349.		XT3	XT4
Raven emisij treslajev, $a_{hd}$		1,41 m/s <sup>2</sup>	1,80 m/s <sup>2</sup>
Negotovost vibracij: k		0,70 m/s <sup>2</sup>	0,90 m/s <sup>2</sup>
Zagotovljena vrednost emisije treslajev v skladu z EN 12096			

## 2.2 SPECIFIKACIJE VSTAVLJANJA

Vrsta zakovice	Premer zakovice v mm [palcih]										
	4 [5/32]	4,3	4,8 [3/16]	6	6,4 [1/4]	7	8	9	10	11	12
Odpri konec	●*		●**		●						
Zapri konec	●*		●**		●						
HR	●*		●		●						
HS					● (3)						
Multi-Grip	●*		●**		●						
TL	●*		●								
Zakovica T (Emhart)	●*		●		●						
Self-Pluggger	●*		●		●						
Ultra Grip (UG) (NPR)					⊗ (3)						
CD					● (3)						
Avex <sup>®</sup>	● (2)		● (2)		● (2)						
Stavex <sup>®</sup>	● (2)		● (2)		● (1)(3)						
Avinox <sup>®</sup> / Avibulb <sup>®</sup>	● (2)		● (2)	● (2)							
Avinox <sup>®</sup> XT / Avibulb <sup>®</sup> XT					● (1)(3)						
LSR/Bulbex <sup>®</sup>	● (2)		● (2)								
T-Lok <sup>®</sup>		● (2)	● (2)								
Avdel <sup>®</sup> SR	● (2)		● (2)		● (2)						
Hemlok <sup>®</sup>					● (1)(3)						
Interlock <sup>®</sup>			⊗ (2)		⊗ (1)(3)						
Maxlok <sup>®</sup>			● (3)		Ⓞ (3)						
Monobolt <sup>®</sup>			⊗ (1)(2)		⊗ (1)(3)						
Avtainer <sup>®</sup>									Ⓞ (1)(3)		
Avseal <sup>®</sup> (STD)				● (1)(3)		● (1)(3)	● (1)(3)	● (1)(3)	Ⓞ (1)(3)		
Avseal <sup>®</sup> (nizki tlak)							● (1)(3)	● (1)(3)	● (1)(3)	Ⓞ (1)(3)	Ⓞ (1)(3)
Zakovica Q	● (2)		● (2)		● (2)						
T Rivet (Avdel)			● (1)(2)		● (1)(2)						
Avdelmate <sup>®</sup>			● (2)		● (2)						
Klamp-Tite <sup>®</sup> BAPK			⊗ (2)		⊗ (2)						
Klamp-Tite <sup>®</sup> BAPKTR			⊗ (1)(2)		⊗ (1)(2)						
Avdelok <sup>®</sup>			● (3)		Ⓞ (3)						

\* Uporabite čeljusti PRG540-46 in potiskalnik čeljusti FAN276-064

\*\* Uporabite čeljusti PRG540-46.

● Velja za obe orodji, za XT3 in XT4

⊗ Velja le za orodje XT3

Ⓞ Velja le za orodje XT4

(1) Potrebno je uporabiti nestandardni nos

(2) Na voljo je nos druge vrste

(3) Potrebno je uporabiti opremo za nestandardni nos.

Celotni seznam opreme za nosove, ki so združljivi s posameznimi vrstami zakovic, skupaj z navodili za sestavljanje in vzdrževanje, je v Priročniku za za opremo za nosove ProSet® 07900-09414

### 2.3 VSEBINA PAKETA

- 1 orodje za slepe zakovice ProSet® XT3 ali XT4.
- 1 komplet opreme standardnega\* nosu in za zakovice 4,8 mm [3/16"] in 6,4 mm [1/4"].
- 1 tiskana različica Priročnika za uporabo – odvisno od območja uporabe.

### 2.4 SEZNAM GLAVNIH SESTAVNIH DELOV

Nanaša se na sliki 1 in 2 v spodnji tabeli.

Element	Številka dela	Opis	Količina
1	76003-15000*	Standardni nos	1
2	76003-02022	Vzmetna kljuka	1
3	76003-05200	Zbiralnik odpadnih trnov	1
4	07001-00405	Čep za izpust olja	1
5	07003-00194	Čep odprtine za olje	1
6	76003-02008	Sprožilno stikalo	1
7	76003-03700	Ventil za vklop/izklop	1
8	71210-02103	Varovalna matica	1

### 2.5 STANDARDNI NOS

Nanaša se na sliko 2 v spodnji tabeli.

Element	Številka dela	Opis	Količina
1c	PRN614	Nos - 4,8 mm [3/16"] (nameščen)	1
1d	PRN811	Nos - 6,4 mm [1/4"]	1
1e	76003-15001	Ohišje nosu	1
1f	07003-00067	O obroč	1
1g	DPN276-001	Vodilo čeljusti	1
1h	PRG540-44	Čeljusti	1 komplet
1i	DPN276-006	Potiskalo čeljusti	1
1j	DPN900-060	O obroč	1
1k	DPN901-019	Vzmet potiskala čeljusti	1
1l	76003-15002	Vlečna glava	1
1m	76003-15004	Zaklep vodila čeljusti	1
1n	DPN901-020	Vzmet	1
1o	76003-15003	Adapter glave	1
1p	07003-00277	O obroč	1

Glede dodatne opreme nosov, preverite vsebino Priročnika za nosove ProSet® 07900-09414 ali obiščite spletno stran [www.stanleyengineeredfastening.com/resource-center/document-library](http://www.stanleyengineeredfastening.com/resource-center/document-library)

Celotni seznam dodatkov orodja je v Priročniku za dodatke ProSet, št. 07900-09415.

\* Oprema nosu ni priložena osnovnemu orodju Proset XT3 (76003-01000) in osnovnemu orodju Proset XT4 (76004-01000).



### 3. NAMESTITEV ORODJA

**POMEMBNO - PRED ZAČETKOM UPORABE ORODJA PAZLJIVO PREBERITE VARNOSTNA OPOZORILA NA STRANEH 6 in 8.**

**POMEMBNO - PRED NAMEŠČANJEM ALI ODSTRANJEVANJEM NOSU, MORATE DOVOD ZRAKA ODKLOPITI.**

#### 3.1 OPREMA NOSU (gl. sl. 2)

Številke elementov, ki so odebeljene, se nanašajo na sestavne dele na slikah 1 in 2 in na tabele na strani 11. Orodje bo ob dobavi pred-sestavljeno, imelo bo nameščen nos za zakovice, 4,8 mm [3/16"]. Dodatni nos za zakovice 6,4 mm [1/4"] je priložen ločeno.

#### Namestitev nosu

- Dovod zraka mora biti odklopljen
- Glede na zakovice, ki jih boste kovičili, izberite ustrezno konico nosu
- Odstranite ohišje nosu (**1e**) z nosom (**1a, b, c ali d**) in O obročem (**1f**)
- Odstranite nos (**1a, b, c ali d**) iz ohišja nosu (**1e**)
- Izberite nos ustrezne dimenzije in sestavite sklop v nasprotnem zaporedju sestavljanja

#### Odstranitev sklopa nosu

- Dovod zraka mora biti odklopljen
- Odstranite ohišje nosu (**1e**) skupaj z nosom (**1a, b, c ali d**) in O obročem (**1f**) z orodja
- Povlecite zaklep vodila čeljusti (**1m**) proti vzmeti (**1n**) in odstranite vodilo čeljusti (**1g**)
- Odstranite čeljusti (**1h**) iz vodila čeljusti (**1g**)
- Odstranite potiskalnik čeljusti (**1i**), O obroč (**1j**) in vzmet potiskalnika čeljusti (**1k**) iz glave (**1l**)
- S primernim orodjem odstranite glavo (**1q**) z bata orodja

#### Namestitev celotne opreme nosu

- Dovod zraka mora biti odklopljen
- Morebitne obrabljene ali poškodovane dele morate zamenjati z novimi
- Očistite čeljusti in preverite njihovo obrablenost (**1h**)
- Zagotovite, da bosta potiskalnik čeljusti (**1i**) in vzmet potiskalnika čeljusti (**k**) v brezhibnem stanju
- Z molibden-litijevo mastjo na tanko namastite čeljusti (**1h**)
- Čeljusti (**1h**) vstavite v vodilo čeljusti (**1g**)
- Potiskalnik čeljusti (**1i**) in O obroč (**1j**) vstavite v glavo (**1l**)
- Povlecite nazaj zaklep vodila čeljusti (**1m**) in privijte vodilo čeljusti (**1g**) do konca v glavo (**1l**).
- Sprostite zaklep vodila čeljusti (**1m**) in malce odvijte vodilo čeljusti (**1g**) dokler se zobec zaklepa vodila čeljusti (**1m**) ne zaskoči v naslednjo režo na vodilu čeljusti (**1g**)
- Ohišje nosu (**1e**) namestite na vodilo čeljusti (**1g**) in ga do konca privijte na orodje

Stanje sklopa nosu morate preverjati in servisirati enkrat tedensko. Na zalogi morate vedno imeti nadomestni kos vsake notranje komponente nosu in konic nosu, kajti slednje je treba redno menjati.

#### 3.2 DOVOD ZRAKA (gl. sl. 3.)

Sestavni deli

- Ustavljalo (uporablja se pri vzdrževanju filtra/redno ali namazanih enot)
- Regulator tlaka s filtrom (dnevno praznite)
- Izpust glavnega dovoda
- Točka priklopa glavnega dovoda

- Vsa orodja delujejo na stisnjeni zrak, ki ima tlak vsaj 5,0 bar.
- Na dovodu zraka, mora biti na razdalji do 3 m od orodja nameščena grupa za pripravo zraka s tlačnim regulatorjem in sistemom za samodejno mazanje/filtriranje zraka (glejte sliko 3).
- Cevi za dovod zraka morajo zagotavljati vsaj 150 % večjo zmogljivost tlaka od dejanskega v sistemu, oziroma prenesti tlak 10 barov, kar predstavlja višjo vrednost.

- Cevi za zrak morajo biti odporne proti olju, zunanji sloj mora biti odporen na obrabo, kjer pa obstaja nevarnost mehanskih poškodb, morajo biti cevi ustrezno ojačane.
- Vse cevi za zrak morajo imeti najmanjši premer vsaj 6,4 mm.
- Preverite tesnjenje zraka. Če so cevi za zrak poškodovane, morate slednje in spojnice zamenjati z novimi.
- Če na skupini za pripravo zraka ni nameščenega filtra, morate, pred priklopom cevi na orodje, slednjo odzračiti in iz nje odstraniti vodo ter nečistoče.

### 3.3 PRINCIP DELOVANJA

**POZOR - ZA PRAVILNO DELOVANJE ORODJA, MORA BITI NASTAVLJEN PREDPISANI TLAK. ČE TLAK NI NASTAVLJEN KOT JE PREDPISANO, LAHKO PRIDE DO POŠKODB OPREME IN OSEBJA. TLAK DOVODA NE SME PRESEGATI PREDPISANEGA V SPECIFIKACIJAH ORODJA.**

Številke elementov, ki so odebeljene, se nanašajo na sestavne dele na slikah 1 in 2 in na tabele na strani 11.

Ob priklopu pnevmatske cevi na orodje za kovičenje lahko cikla delovanja orodja upravljate s sprožilnim stikalom (6), ki je nameščen na ročaju.

- Dovod zraka je odklopljen.
- Ustrezno opremo nosu priklopite, kot je opisano na straneh 10 in 12.
- Priklopite pnevmatsko cev na ventil za zapiranje/odpiranje dovoda zraka (7).
- Drug konec cevi priklopite na dovod zraka.
- Pomaknite ventil za zapiranje/odpiranje dovoda zraka (7) v zgornji položaj.
- Zrak se dovede v orodje in sistem podtlaka začne delovati.
- Nekajkrat stisnite in sprostite sprožilno stikalo (6), da bo orodje začelo delovati s polnim hodom. Spremljajte delovanje orodja. Preverite tesnjenje tekočin in zraka.

## 4. POSTOPEK DELOVANJA

### 4.1 DELOVANJE ORODJA (gl. sl. 1, 4, 5, 6)

#### Vstavljanje slepe zakovice

- Poskrbite, da bo nameščen zbiralnik odpadnih zakovic (3).
- Trn zakovice vstavite v konico nosu (1a, b, c ali d). Sistem podtlaka bo zadržal zakovico v nosu.
- Namestite orodje.
- Poskrbite, da bo nos postavljen pravokotno (90°) na obdelovanec.
- Stisnite in zadržite sprožilno stikalo (6), dokler se zakovica ne bo vstavila do konca v luknjo.
- Ko bo zakovica do konca vstavljena v luknjo, sprostite sprožilno stikalo (6). Orodje se bo samodejno vrnilo v začetni položaj. Trn zakovice bo, s pomočjo sistema podtlaka, samodejno padel v zbiralnik odpadnih trnov (3).
- Zbiralnik odpadnih trnov morate izprazniti, še preden se bo napolnil do polovice.

**POZOR – TRNA ZAKOVICE ALI ZAKOVICE NIKOLI NE VSTAVLJAJTE V LUKNJO NA SILO. TO BI LAHKO POVZROČILO POŠKODBE ORODJA ALI OBDELOVANCA.**

### 4.2 PRAZNIENJE ZBIRALNIKA ODPADNIH TRNOV (gl. sl. 1)

#### POZOR - ORODJA NIKOLI NE UPORABLJAJTE, ČE NI NAMEŠČEN ZBIRALNIK ODPADNIH TRNOV

- Orodje ima gumb za hitri priklop/sprostitev zbiralnika odpadnih trnov (3).
- Z obratom za 60° odstranite ali namestite zbiralnik odpadnih trnov.
- Postopek odstranjevanja zbiralnika odpadnih trnov (3) z orodja samodejno PREKINE podtlak za pridržanje zakovice in sistema za izmetavanje odpadnih trnov.
- Pritrditev zbiralnika odpadnih trnov samodejno AKTIVIRA sistem podtlaka.

## 5. SERVISIRANJE ORODJA

### 5.1 POGOSTOST VZDRŽEVANJA

Redno vzdrževanje lahko izvaja le ustrezno usposobljeno osebje, ki naj opravi celovit pregled vsako leto ali vsakih 500.000 ciklov, kar je prej.



ODKLOPITE DOVOD ZRAKA



**POZOR** - Nikoli za čiščenje nekovinskih delov orodja ne uporabljajte kemičnih sredstev ali drugih močnih kemikalij.

*Take kemikalije lahko oslabijo materiale, iz katerih so izdelani ti deli.*

### 5.2 NOS

Sklop nosu morate servisirati tedensko ali vsakih 5.000 ciklov. Na zalogi morate vedno imeti nadomestne kose vsakega notranjega sestavnega dela nosu in konice nosu, kajti treba jih je redno menjati.

- Odklopite dovod zraka
- Popolnoma odstranite sklop nosu, pri čemer v nasprotni smeri izvedite postopek sestavljanja, opisan v poglavju 3.1.
- Preglejte vse sestavne dele. Vsak obrabljeni ali poškodovani del zamenjate z novim.
- Še posebej pozorno preverite obrabljenost čeljusti (**1h**).
- Očistite vse dele in na čeljusti (**1h**) in v luknjo vmesnika (**1g**) nanosite molibden-litijevo mast (07992-00020).
- Orodje sestavite kot je navedeno v navodilih za sestavljanje v poglavju 3.1.

### 5.3 DNEVNO SERVISIRANJE

- Pred uporabo preverite, ali orodje, cevi in spojke ne puščajo zraka in olja. Če so poškodovani jih odstranite z orodja in zamenjajte poškodovane elemente z novimi deli.
- Če na regulatorju tlaka ni nameščenega filtra, morate, pred priklopom cevi na orodje, slednjo odzračiti in iz nje odstraniti vodo ter nečistoče. Če filtre obstaja, izpraznite vodo iz njega.
- Preverite, ali nos (**1**) ustreza dimenziji zakovic, ki jih boste vstavljali in poskrbite, da bo pravilno pritrjen na orodje.
- Preverite, ali je hod orodja skladen z minimalnimi specifikacijami (Glejte 2.1).
- Zbiralnik odpadnih trnov (**3**) mora biti nameščen na orodju.
- Preverite, ali je zračna komora do konca pritrjena na ohišje orodja.

### 5.4 TEDENSKO SERVISIRANJE

- Preverite, ali orodje, cevi in spojke ne puščajo zraka in olja. Če so poškodovani jih odstranite z orodja in zamenjajte poškodovane elemente z novimi deli.

Vse podrobnosti o servisiranju, odpravljanju napak in vzdrževanju, so navedene v Priročniku za servisiranje, št. 07900-09410 za orodje XT3 in št. 07900-09411 za orodje XT4.

Vse podrobnosti o varnosti pri uporabi maziv in olj, so navedene v Priročniku za servisiranje, št. 07900-09410 za orodje XT3 in št. 07900-09411 za orodje XT4.

### 5.5 VAROVANJE OKOLJA

Zagotovite skladnost s predpisi, ki se uporabljajo za odstranjevanje med odpadke. Vse odpadne izdelke odstranite na zbirno mesto ali obrat, ki ima certifikat, da ne bi izpostavili nevarnosti osebja in okolja.

## 6. IZJAVA ES O SKLADNOSTI

Mi, **STANLEY Engineered Fastening, Stanley House, Works Road, Letchworth Garden City, Hertfordshire, SG6 1JY ZDRUŽENO KRALJESTVO**, s polno odgovornostjo izjavljamo, da je izdelek:

**Opis:**

**ProSet® XT3 in ProSet® XT4 Hidro-pnevmatski orodji za slepe zakovice**

**Model:**

**POP-Avdel® / 76003 in POP-Avdel® / 76004**

na katerega se nanaša ta izjava, v skladu s temi usklajenimi standardi:

ISO 12100:2010	EN ISO 3744:2010
EN ISO 11202:2010	EN ISO 11148-1:2011
EN ISO 4413:2010	BS EN 28662-1:1993
EN ISO 4414:2010	EN ISO 20643:2008+A1:2012
EN ISO 28927-5:2009+A1:2015	ES100118-rev 17:2017

Tehnična dokumentacija je sestavljena skladno z dodatkom 1, razdelek 1.7.4.1, v skladu z naslednjo direktivo:

**2006/42/ES Direktiva o strojih**

(Predpisani instrument 2008 št. 1597 - Pravilnik o dobavi strojev (Varnost) - Predpisi, na katere se nanaša).

Podpisani izjavlja v imenu podjetja STANLEY Engineered Fastening.



**A. K. Seewraj**

**Direktor inženiringa, ZK**

Avdel UK Limited, Stanley House, Works Road, Letchworth Garden City, Hertfordshire,  
SG6 1JY ZDRUŽENO KRALJESTVO

**Kraj izdaje:**

**Letchworth Garden City, ZK**

**Datum izdaje:**

**01-13-2017**

Podpisani je odgovoren za sestavo tehnične dokumentacije za izdelke, ki so naprodaj v Evropski uniji, in daje to izjavo v imenu podjetja Stanley Engineered Fastening.

**Matthias Appel**

**Vodja ekipe za tehnično dokumentacijo**

Stanley Engineered Fastening, Tucker GmbH, Max-Eyth-Str.1,  
35394 Gießen, Nemčija



**Ta naprava je skladna  
z Direktivo o strojih 2006/42/ES**

## 7. IZJAVA ZK O SKLADNOSTI

Mi, **STANLEY Engineered Fastening, Stanley House, Works Road, Letchworth Garden City, Hertfordshire, SG6 1JY ZDRUŽENO KRALJESTVO**, s polno odgovornostjo izjavljamo, da je izdelek:

**Opis:** ProSet® XT3 in ProSet® XT4 Hidro-pnevmatski orodji za slepe zakovice

**Model:** POP-Avdel® / 76003 in POP-Avdel® / 76004

na katerega se nanaša ta izjava, v skladu s temi navedenimi standardi:

ISO 12100:2010	EN ISO 3744:2010
EN ISO 11202:2010	EN ISO 11148-1:2011
EN ISO 4413:2010	BS EN 28662-1:1993
EN ISO 4414:2010	EN ISO 20643:2008+A1:2012
EN ISO 28927-5:2009+A1:2015	ES100118-rev 17:2017

Tehnična dokumentacija je sestavljena v skladu z (varnostnimi) predpisi o dobavi strojev iz leta 2008, S.I. 2008/1597 (kakor so bili spremenjeni).

Podpisani izjavlja v imenu podjetja STANLEY Engineered Fastening.



**A. K. Seewraj**  
**Direktor inženiringa, ZK**

Avdel UK Limited, Stanley House, Works Road, Letchworth Garden City, Hertfordshire,  
SG6 1JY ZDRUŽENO KRALJESTVO

**Kraj izdaje:** Letchworth Garden City, ZK

**Datum izdaje:** 01-13-2017



**Ta stroj je skladen z (varnostnimi) predpisi  
o dobavi strojev iz leta 2008,  
S.I. 2008/1597 (dopolnjen)**

## 8. ZAŠČITITE SVOJO NALOŽBO!

### 8.1 GARANCIJA ZA ORODJE ZA SLEPE ZAKOVICE POP® AVDEL®

STANLEY Engineered Fastening jamči, da so bila vsa orodja skrbno izdelana in da bodo, pri normalni uporabi, brez napak v materialu in izdelavi za obdobje enega (1) leta.

Ta garancija velja za prvotnega kupca orodja in le za namensko uporabo.

#### **Izključitve:**

##### **Normalna obraba.**

Periodično vzdrževanje, popravila in nadomestni deli zaradi normalne obrabe so izključeni iz kritja.

##### **Zloraba in napačna uporaba.**

Okvara ali poškodba, ki je posledica nepravilnega delovanja, skladiščenja, napačne uporabe ali zlorabe, nesreče ali malomarnosti, kot tudi materialne poškodbe, so izključene iz kritja.

##### **Nepooblaščen servisiranje ali predelava.**

Okvare ali poškodbe, ki izhajajo iz servisiranja, prilagoditve za testiranje, montaže, vzdrževanja, rekonstrukcije ali kakršnekoli spremembe, ki je ni izvedlo osebje STANLEY Engineered Fastening, ali njegov pooblaščen servisni center, so izključene iz kritja.

Vse druge garancije, bodisi izražene ali naznačene, vključno z vsemi garancijami o trgovski kakovosti in ustreznosti za namen, so izključene.

Če opazite, da orodje ni skladno z garancijskimi zagotovili, ga takoj dostavite najbližjemu pooblaščenemu servisnemu centru. Za seznam pooblaščenih servisnih centrov za POP® Avdel® v ZDA in Kanadi se obrnite na nas s klicem na brezplačno telefonsko številko (877)364 2781.

Izven ZDA in Kanade, obiščite našo spletno stran **[www.StanleyEngineeredFastening.com](http://www.StanleyEngineeredFastening.com)** in poiščite vam najbližje servisno središče STANLEY Engineered Fastening.

STANLEY Engineered Fastening bo nato brezplačno zamenjal katerikoli del ali dele, za katere bomo ugotovili, da so v okvari zaradi okvare v materialu ali izdelavi, ter vam vrnil popravljeno orodje. To predstavlja našo izključno obveznost znotraj te garancije.

V nobenem primeru ni STANLEY Engineered Fastening odgovoren za katerikoli posledično ali posebno poškodbo, ki izhaja iz nakupa ali uporabe tega izdelka.

### 8.2 REGISTRIRAJTE SVOJE ORODJE ZA SLEPE ZAKOVICE NA SPLETU.

Za registracijo vaše garancije v spletu nas obiščite na

<http://www.stanleyengineeredfastening.com/popavdel-powertools/warranty-card>.

Zahvaljujemo se vam za izbiro orodja blagovne znamke POP® Avdel® podjetja STANLEY Engineered Fastening.

©2017 Stanley Black & Decker inc.

Tüm Hakları Saklıdır.

Burada sunulan bilgiler, STANLEY Engineered Fastening'den önceden açık ve yazılı izin alınmadan kopyalanamaz ve/veya herhangi bir şekilde (elektronik veya mekanik olarak) açıklanamaz. Burada sunulan bilgiler, bu ürünün piyasaya sunulduğu anda bilinen verilere bağlı olarak belirlenmiştir. STANLEY Engineered Fastening devamlı ürün geliştirme politikasına sahiptir ve bu yüzden ürünler değişebilir. Burada sunulan bilgiler, STANLEY Engineered Fastening'in sunduğu şekildeki ürün için geçerlidir. Bu yüzden, STANLEY Engineered Fastening ürünün orijinal özelliklerindeki farklılıklardan dolayı ortaya çıkan hasarlardan sorumlu tutulamaz.

Burada sunulan bilgiler büyük dikkatle hazırlanmıştır. Fakat, STANLEY Engineered Fastening bilgilerin hatalı olması veya bunun yaratacağı sorunlarla ilgili sorumluluk kabul etmemektedir. STANLEY Engineered Fastening, üçüncü kişilerin yürüttüğü etkinliklerden ortaya çıkan hasarlar konusunda sorumluluk kabul etmeyecektir. STANLEY Engineered Fastening tarafından kullanılan iş isimleri, ticari isimler, tescilli ticari markalar vs. ticari markaların korunması ile ilgili kanunlar uyarınca ücretsiz olduğu anlaşılacaktır.

## İÇERİK

<b>1. GÜVENLİK TANIMLARI.....</b>	<b>2</b>
1.1 GENEL GÜVENLİK KURALLARI .....	2
1.2 CİSİM FIRLAMA TEHLİKELERİ.....	2
1.3 ÇALIŞMA TEHLİKELERİ .....	3
1.4 TEKRARLAYAN HAREKET TEHLİKELERİ .....	3
1.5 AKSESUAR TEHLİKELERİ .....	3
1.6 İŞYERİ TEHLİKELERİ .....	4
1.7 GÜRÜLTÜ TEHLİKELERİ .....	4
1.8 TİTREŞİM TEHLİKELERİ .....	4
1.9 PNÖMATİK EL ALETLERİ İÇİN EK GÜVENLİK TALİMATLARI .....	4
<b>2. ÖZELLİKLER.....</b>	<b>5</b>
2.1. ALET ÖZELLİKLERİ.....	5
2.2 YERLEŞTİRME ÖZELLİKLERİ.....	6
2.3 PAKET İÇERİKLERİ .....	7
2.4 TEMEL BİLEŞENLER LİSTESİ.....	7
2.5 STANDART BURUN EKİPMANI.....	7
<b>3. ALET KURMASI.....</b>	<b>8</b>
3.1 BURUN EKİPMANI (şekil 2'ye başvurun).....	8
3.2 HAVA BESLEME (şekil 3'e başvurun).....	8
3.3 ÇALIŞMA PRENSİBİ .....	9
<b>4. ÇALIŞMA PROSEDÜRLERİ.....</b>	<b>10</b>
4.1 ALETİN ÇALIŞMASI (Şekil 1, 4, 5, 6'ya başvurun).....	10
4.2 MANDREL KOLEKTÖRÜNÜ BOŞALTMA (şekil 1'e başvurun).....	10
<b>5. ALET BAKIMI .....</b>	<b>11</b>
5.1 BAKIM SIKLIĞI .....	11
5.2 BURUN EKİPMANI .....	11
5.3 GÜNLÜK BAKIM .....	11
5.4 HAFTALIK BAKIM .....	11
5.5 ÇEVRENİN KORUNMASI .....	11
<b>6. AB UYGUNLUK BEYANI .....</b>	<b>12</b>
<b>7. BK UYGUNLUK BEYANI .....</b>	<b>13</b>
<b>8. YATIRIMINIZI KORUYUN!.....</b>	<b>14</b>
8.1 POP "AVDEL" KÖR PERÇİN ALETİ GARANTİSİ .....	14
8.2 KÖR PERÇİN ALETİNİZİ İNTERNET ÜZERİNDEN KAYIT EDİN .....	14





Bu aleti kullanacak veya montajını yapacak her kişi, aşağıdaki güvenlik kurallarına özellikle dikkat ederek bu kullanım kılavuzunu okumalıdır.



Aletin çalışması sırasında daima darbeye dayanıklı göz koruması kullanın. Gereken koruma derecesi her kullanım için özel değerlendirilmelidir.



İşverenin talimatlarına uygun olarak, iş sağlığı ve güvenliği yönetmeliklerinin gerektirdiği şekilde işitme koruması kullanın.



Aletin kullanımı sırasında operatörün elleri ezilme, çarpma, kesilme, sıyrılmaya ve yüksek ısı gibi tehlikelere maruz bırakabilir. Elleri korumak için uygun eldiven takın.

## 1. GÜVENLİK TANIMLARI

Aşağıdaki tanımlar her işaret sözcüğü ciddiyet derecesini gösterir. Lütfen kılavuzu okuyun ve bu simgelere dikkat edin.



**TEHLİKE:** Engellenmemesi halinde ölüm veya ciddi yaralanma ile sonuçlanabilecek çok yakın bir tehlikeli durumu gösterir.



**UYARI:** Engellenmemesi halinde ölüm veya ciddi yaralanma ile sonuçlanabilecek potansiyel bir tehlikeli durumu gösterir.



**DİKKAT:** Engellenmemesi halinde önemsiz veya orta dereceli yaralanma ile sonuçlanabilecek potansiyel bir tehlikeli durumu gösterir.

**DİKKAT:** Güvenlik uyarısı sembolü olmadan kullanılması, kaçınılmadığında üründe hasara neden olabilecek potansiyel tehlikeli bir durumu gösterir.

**Bu ürünün uygun olmayan şekilde kullanım veya bakımı, ciddi yaralanmalara veya üründe hasara neden olabilir.**

**Bu ekipmanı kullanmadan önce, tüm uyarı ve çalıştırma talimatlarını okuyup anlayın. Elektrikli aletleri kullanırken, kişisel yaralanma riskini azaltmak için temel güvenlik önlemlerine her zaman uyulmalıdır.**

### BÜTÜN UYARI VE GÜVENLİK TALİMATLARINI İLERİDE BAKMAK ÜZERE MUHAFAZA EDİN

#### 1.1 GENEL GÜVENLİK KURALLARI

- Birden fazla tehlike için, aksesuarları takmadan, çalıştırmadan, tamir etmeden, bakımını yapmadan, değiştirmeden veya aletin yakınında çalışma yapmadan önce güvenlik talimatlarını okuyun ve anlayın. Bunun yapılmaması ciddi bedensel yaralanmalara neden olabilir.
- Alet yalnızca deneyimli ve eğitilmiş operatörler tarafından monte edilmeli, ayarlanmalı veya kullanılmalıdır.
- STANLEY Engineered Fastening Kör Perçinleri çakmak dışında bir amaçla KULLANMAYIN.
- Sadece üreticinin tavsiye ettiği parçaları, ekleri ve aksesuarları kullanın.
- Alet üzerinde değişiklik YAPMAYIN. Değişiklikler güvenlik önlemlerinin etkinliğini azaltabilir ve operatöre yönelik riskleri artırabilir. Müşterinin alet üzerinde yapacağı tüm değişiklikler kendi sorumluluğunda olup aletin garantisini geçersiz kılar.
- Güvenlik talimatlarını atmayın; bu talimatları operatöre verin.
- Hasar görmüş bir aleti kullanmayın.
- Kullanmadan önce, hareketli parçalardaki hizalama hatalarını ve tutuklukları, parçalardaki kırılmalar ve aletin çalışmasını etkileyecek tüm diğer koşulları kontrol edin. Hasarlı ise, aleti kullanmadan önce tamir ettirin. Kullanmadan önce, anahtarları veya penseleri çıkarın.
- Aletler, ISO 11148'in bu bölümünün gerektirdiği derecelendirme ve işaretlerin alet üzerinde okunaklı bir şekilde işaretlendiğini doğrulamak için periyodik olarak kontrol edilmelidir. İşveren/kullanıcı gerektiğinde yedek markalama etiketleri almak için üreticiye başvurmalıdır.
- Alet sürekli güvenli çalışır halde tutulmalı ve arıza ve çalışır durumu açısından eğitilmiş personel tarafından düzenli aralıklarla kontrol edilmelidir. Demontaj işlemi, sadece eğitilmiş personel tarafından gerçekleştirilmelidir. Aleti, önceden bakım talimatlarına danışmadan demonte etmeyin.

#### 1.2 CİSİM FIRLAMA TEHLİKELERİ

- Herhangi bir bakım yapmadan, bir burun tertibatını veya aksesuarlarını ayarlamaya, takmaya veya çıkarmaya çalışmadan önce hava beslemesini aletten ayırın.

- İş parçası veya aksesuarlar ya da takılı aletin kendisinin arızalanması durumunda perçinlerin yüksek hızla fırlayabileceğini unutmayın.
- Aletin çalışması sırasında daima darbeye dayanıklı göz koruması kullanın. Gereken koruma derecesi her kullanım için özel değerlendirilmelidir.
- Bu sırada başkalarına yönelik riskler de değerlendirilmelidir.
- İş parçasının sağlam bir şekilde sabitlendiğinden emin olun.
- Perçin ve/veya mandrelin fırlamasından korunma araçlarının yerinde ve çalışır durumda olduğunu kontrol edin.
- Mandrel kollektörü yüklenmeden aleti KULLANMAYIN.
- Mandrellerin aletin önünden hızla fırlama ihtimaline karşı dikkatli olun.
- Aleti herhangi bir kişiye dönük halde ÇALIŞTIRMAYIN.

### 1.3 ÇALIŞMA TEHLİKELERİ

- Aletin kullanımı sırasında operatörün elleri ezilme, çarpma, kesilme, sıyrılmaya ve yüksek ısı gibi tehlikelere maruz bırakabilir. Elleri korumak için uygun eldiven takın.
- Operatörler ve bakım personelinin, alet kütlesi, ağırlığı ve gücünü kontrol edebilmeleri gerekir.
- Aleti doğru şekilde tutun, normal veya ani hareketlere reaksiyon göstermek için hazır olun ve her iki elinizi de kullanın.
- Alet saplarını kuru ve temiz, yağ ve gresten arınmış tutun.
- Aleti çalıştırırken dengeli bir vücut pozisyonu sağlayın ve yere sağlam bir şekilde basın.
- Hava beslemenin kesilmesi durumunda başlatma-durdurma düzeneğini serbest bırakın.
- Sadece üretici tarafından önerilen yağlayıcıları kullanın.
- Hidrolik sıvı ile teması önlenmelidir. Döküntü olasılığını en aza indirmek için, temas halinde iyice yıkanmaya özen gösterilmelidir.
- Tüm hidrolik yağlar ve yağlayıcılara ait Malzeme Güvenlik Bilgi Formu verileri alet tedarikçinizden talep edilebilir.
- Bazı duruş pozisyonları aletin normal veya beklenmedik hareketine reaksiyon vermezse engelleyebileceği için uygun olmayan duruşlardan kaçının.
- Alet bir süspansiyon cihazına sabitlenmişse, sabitlemenin güvenli olduğundan emin olun.
- Burun donanımı takılmadığında ezilme veya sıkışma riskine dikkat edin.
- Aleti burun mahfazası takılı değilken KULLANMAYIN.
- Aleti kullanacak kişiler, kullanmadan önce ellerini yeterince uzakta tutmalıdır.
- Aleti bir yerden bir yere taşıırken, istemeden çalıştırmamak için elinizi tetikten uzak tutun.
- Aleti düşürmeyin veya çekiç olarak KULLANMAYIN.
- Harcanmış mandrellerin bir tehlike yaratmamasına özen gösterilmelidir.
- Mandrel kollektörü, yaklaşık yarısı dolduğunda boşaltılmalıdır.

### 1.4 TEKRARLAYAN HAREKET TEHLİKELERİ

- Bir elektrikli el aleti kullanırken, eller, kollar, omuzlar, boyun veya vücudun diğer uzuvlarında bir rahatsızlık hissedebilirsiniz.
- Operatör, aleti kullanırken güvenli bir duruş sağlamalı, uygunsuz veya dengesiz pozisyonlardan kaçınarak rahat bir duruş benimsemelidir. Operatör uzun süreli görevler sırasında vücudun duruş pozisyonunu değiştirerek rahatsızlık ve yorgunluğun önlenmesine yardımcı olabilir.
- Operatör sürekli veya tekrarlayan rahatsızlık, ağrı, zonklama, sızı, karıncalanma, uyuşma, yanma hissi veya sertlik gibi semptomlar yaşarsa, bu uyarı işaretlerini mutlaka dikkate almalıdır. Operatör bu durumu işverene derhal bildirmeli ve deneyimli bir sağlık personeline danışmalıdır.

### 1.5 AKSESUAR TEHLİKELERİ

- Burun tertibatını veya aksesuarını takmadan veya çıkarmadan önce aletin hava beslemesinden bağlantısını kesin.
- Yalnızca aletin üreticisi tarafından önerilen boyut ve türdeki aksesuarları ve sarf malzemelerini kullanın; başka tür veya boyutta aksesuar veya sarf malzemelerini kullanmayın.

### 1.6 İŞYERİ TEHLİKELERİ

- Kaymalar, takılmalar ve düşmeler işyerinde yaralanmaların ana nedenleridir. Aletin kullanımının neden olduğu kaygan yüzeylere ve ayrıca hava borusu veya hidrolik hortumun neden olduğu takılma tehlikelerine dikkat edin.
- Tanımadığınız yerlerde dikkatli ilerleyin. Elektrik kabloları veya diğer borular gibi gizli tehlikeler mevcut olabilir.
- Bu alet potansiyel olarak patlayıcı olan ortamlarda kullanım için tasarlanmamıştır ve elektrik temasına karşı yalıtımlı değildir.
- Alet kullanılırken hasar gördüğünde tehlikeye neden olabilecek herhangi bir elektrik kablosu, gaz borusu vb. bulunmadığından emin olun.
- Uygun giyinin. Bol elbiseler giymeyin ve takı takmayın. Saçınızı, elbiselerinizi ve eldivenlerinizi hareketli parçalardan uzak tutun. Bol elbiseler ve takılar veya uzun saç hareketli parçalara takılabilir.
- Harcanmış mandrellerin bir tehlike yaratmamasına özen gösterilmelidir.

### 1.7 GÜRÜLTÜ TEHLİKELERİ

- Yüksek gürültü seviyelerine maruz kalma, kalıcı düzeyde işitme kaybına ve kulak çınlaması (zil sesi, vınlama, kulaklarda ısıklı sesi veya uğultu) gibi diğer sorunlara neden olabilir. Bu nedenle, risk değerlendirmesinin yapılması ve bu tehlikeler için uygun kontrollerin uygulanması önemlidir.
- Riski azaltmak için uygun önlemler arasında iş parçalarının "ses çıkarmasını" engellemeye dönük ses yalıtım materyallerinin kullanımı gibi eylemler sayılabilir.
- İşverenin talimatlarına uygun olarak, iş sağlığı ve güvenliği yönetmeliklerinin gerektirdiği şekilde işitme koruması kullanın.
- Gürültü seviyesinde gereksiz bir artışı önlemek için aleti kullanım kılavuzunda tavsiye edildiği şekilde kullanın ve bakımını yapın.  
Mandrel kolektörü içindeki susturucunun, alet çalıştırılırken yerinde ve iyi çalışır durumda olduğundan emin olun.

### 1.8 TİTREŞİM TEHLİKELERİ

- Titreşime maruz kalmak sinirlerde hasara yol açabilir, ellere ve kollara olan kan akışını engelleyebilir.
- Soğuk koşullarda çalışırken sıcak giysiler giyin ve ellerinizi sıcak ve kuru tutun.
- Cildiniz, parmaklarınız veya ellerinizde uyuşukluk, karıncalanma, ağrı veya beyazlık varsa, aleti kullanmayı bırakın, işvereninize bildirin ve bir doktora danışın.
- Mümkünse, aletin ağırlığını bir ahtlık, gergi mekanizması veya dengeleyici ile destekleyin, çünkü sonrasında aletin desteklenmesi için daha hafif bir kavrama kullanılabilir.

### 1.9 PNÖMATİK EL ALETLERİ İÇİN EK GÜVENLİK TALİMATLARI

- Çalıştırma hava kaynağı, 7 barı (100 PSI) aşmamalıdır.
- Basıncılı hava ciddi yaralanmalara neden olabilir.
- Aleti çalışır halde başı boş bırakmayın. Alet kullanılmadığında, aksesuarları değiştirmeden önce ya da onarımları yaparken hava hortumunu ayırın.
- Mandrel kolektörü yüzünde havanın operatör veya diğer kişiler yönünde açılmasına izin VERMEYİN. Havayı asla kendinize veya başkasına yönlendirmeyin.
- Çarpan hortumlar ciddi yaralanmalara neden olabilir. Hortum ve bağlantı parçalarını hasar veya gevşeme açısından daima kontrol edin.
- Kullanmadan önce, hava hatlarında hasar olup olmadığını ve güvenli olduğunu kontrol edin. Hortumların üzerine ağır eşyalar koymayın. Keskin bir temas iç hasara ve hortumun erken arızalanmasına neden olabilir.
- Soğuk hava elden uzağa yönlendirilmelidir.
- Üniversal kıvrımlı kaplinler (tırnaklı kaplinler) her kullanıldığında, kilit pimleri takılmalı ve muhtemel hortum ile alet veya hortum ile hortum arasında bağlantı arızasına karşı korunmak için emniyet kabloları kullanılmalıdır.
- Sıkma aletini hortumundan KALDIRMAYIN. Her zaman sıkma aleti sapını kullanın.
- Havalandırma delikleri tıkanmamalı veya kapatılmamalıdır.
- Aletin hidrolik sisteminde kir ve yabancı madde birikmesine izin vermeyin, bu, aletin arızalanmasına neden olacaktır.

**STANLEY Engineered Fastening politikası, sürekli ürün geliştirme ve iyileştirme çalışmalarından biridir ve herhangi bir bildirimde bulunmaksızın herhangi bir ürün özelliklerini değiştirme hakkımızı saklı tutarız.**

## 2. ÖZELLİKLER

ProSet® XT3 ve XT4 Stanley Engineered Fastening kör perçinleri yüksek hızda takmak için tasarlanmış hidro-pnömatik aletlerdir. Bu aletler, aletin yönü hangisi olursa olsun perçin tutulması ve kullanılmış mandrellerin sorunsuz bir şekilde toplanması için kullanılan bir vakum sistemine sahiptir.

ProSet® XT3 ve XT4 ilgili burun ekipmanına bağlandığında Ø4,0 mm ila Ø6,4 mm arasında olan kör perçinleri takmak için kullanılabilir. Takılabilecek tüm perçinlerin listesi için 10. sayfadaki tabloya başvurun.

Sayfa 2 ve 4'teki güvenlik uyarılarına her zaman uyulmalıdır.

Islak koşullarda veya yanıcı sıvı ya da gazların mevcut olduğu ortamlarda **KULLANMAYIN**.

### 2.1. ALET ÖZELLİKLERİ

	XT3		XT4	
<b>Çekiş Gücü:</b> @ 5,5 bar	17,0 kN	3822 lbf	23,0 kN	5193 lbf
<b>Hava Besleme Basıncı:</b> Minimumdan Maksimuma	5,0 - 7,0 bar	72,5 - 101,5 lbf/in <sup>2</sup>	5,0 - 7,0 bar	72,5 - 101,5 lbf/in <sup>2</sup>
<b>Yağ Basıncı:</b> Çekme @ 5,5 bar	290 bar	4206 lbf/in <sup>2</sup>	395 bar	5729 lbf/in <sup>2</sup>
<b>Darbe:</b> Minimum Piston Darbesi	26,0 mm	1,02 in.	18,0 mm	0,91 in.
<b>Ağırlık:</b> Burun ekipmanı dahil	2,24 kg	4,94 lb	2,26 kg	4,98 lb
<b>Ağırlık:</b> burun ekipmanı dışında	2,00 kg	4,41 lb	2,02 kg	4,41 lb
<b>Serbest Hava Hacmi:</b> @ 5,5 bar	6,3 ltr	384,4 in <sup>3</sup>	6,3 ltr	384,4 in <sup>3</sup>
<b>Dönüş Süresi:</b> Yaklaşık	0,9 saniye		1,0 saniye	

<b>Gürültü testi kodu ISO 15744 ve ISO 3744 uyarınca belirlenmiş gürültü değerleri.</b>		XT3	XT4
A ağırlıklı ses gücü seviyesi dB(A), $L_{WA}$	Kesintisiz gürültü: $k_{WA} = 3,0$ dB(A)	90,3 dB(A)	89,7 dB(A)
İş istasyonunda A ağırlıklı emisyon ses basıncı seviyesi dB(A), $L_{pA}$	Kesintisiz gürültü: $k_{pA} = 3,0$ dB(A)	79,3 dB(A)	78,7 dB(A)
C-ağırlıklı tepe emisyon ses basıncı seviyesi dB(C), $L_{pC}$ , tepe	Kesintisiz gürültü: $k_{pC} = 3,0$ dB(C)	82,7 dB(C)	81,5 dB(A)

<b>Titreşim test kodu ISO 20643 ve ISO 5349 uyarınca belirlenmiş titreşim değerleri.</b>		XT3	XT4
Titreşim emisyon seviyesi, $a_{hd}$ :		1,41 m/s <sup>2</sup>	1,80 m/s <sup>2</sup>
Belirsizlik titreşimi: k		0,70 m/s <sup>2</sup>	0,90 m/s <sup>2</sup>
EN 12096 uyarınca beyan edilen titreşim emisyon değerleri			

## 2.2 YERLEŞTİRME ÖZELLİKLERİ

Perçin Tipi	Perçin Çağ mm [inç]										
	4 [5/32]	4,3	4,8 [3/16]	6	6,4 [1/4]	7	8	9	10	11	12
Açık Uçlu	●*		●**		●						
Kapalı Uçlu	●*		●**		●						
HR	●*		●		●						
HS					● (3)						
MULTI-GRIP	●*		●**		●						
TL	●*		●								
T-Perçin (Emhart)	●*		●		●						
Kendinden Tıkaçlı	●*		●		●						
Ultra Grip (UG) (NPR)					⊗ (3)						
CD					● (3)						
Avex®	● (2)		● (2)		● (2)						
Stavex®	● (2)		● (2)		● (1)(3)						
Avinox®/ Avibulb®	● (2)		● (2)	● (2)							
Avinox®XT / Avibulb®XT					● (1)(3)						
LSR/Bulbex®	● (2)		● (2)								
T-Lok®		● (2)	● (2)								
Avdel® SR	● (2)		● (2)		● (2)						
Hemlok®					● (1)(3)						
Interlock®			⊗ (2)		⊗ (1)(3)						
Maxlok®			● (3)		⊗ (3)						
Monobolt®			⊗ (1)(2)		⊗ (1)(3)						
Avtainer®									⊗ (1)(3)		
Avseal® (STD)				● (1)(3)		● (1)(3)	● (1)(3)	● (1)(3)	⊗ (1)(3)		
Avseal® (Low Press)							● (1)(3)	● (1)(3)	● (1)(3)	⊗ (1)(3)	⊗ (1)(3)
Q Perçin	● (2)		● (2)		● (2)						
T Perçin (Avdel)			● (1)(2)		● (1)(2)						
Avdelmate®			● (2)		● (2)						
Klamp-Tite® BAPK			⊗ (2)		⊗ (2)						
Klamp-Tite® BAPKTR			⊗ (1)(2)		⊗ (1)(2)						
Avdelok®			● (3)		⊗ (3)						

\* PRG540-46 çenelerini ve FAN276-064 çene itici tertibatını kullanın

\*\* PRG540-46 çenelerini kullanın.

● XT3 ve XT4 aletleri için geçerlidir

⊗ Sadece XT3 aleti için geçerlidir

⊕ Sadece XT4 aleti için geçerlidir

(1) Standart olmayan burun parçası gereklidir

(2) Alternatif tip burun ekipmanı mevcuttur

(3) Standart olmayan burun ekipmanı gereklidir.

Her bir perçin tipi için uyumlu burun ekipmanının tam listesi için, montaj ve bakım talimatlarıyla birlikte lütfen ProSet® Burun Ekipmanı Kılavuzu 07900-09414'e bakın

### 2.3 PAKET İÇERİKLERİ

- 1 ProSet® XT3 veya XT4 kör perçin aleti.
- 1 set 4,8 mm [3/16"] ve 6,4 mm [1/4"] perçin için Standart® Burun Ekipman ve Burun Parçaları.
- 1 Basılı Kullanım kılavuzu – bölgeye bağlı.

### 2.4 TEMEL BİLEŞENLER LİSTESİ

Aşağıdaki şekil 1 ve 2'ye ve tabloya başvurun.

Öge	Parça Numarası	Açıklama	Miktar
1	76003-15000*	Standart burun ekipmanı	1
2	76003-02022	Süspansiyon kancası	1
3	76003-05200	Mandrel kolektörü	1
4	07001-00405	Yağ tıpası	1
5	07003-00194	Conta	1
6	76003-02008	Tetik	1
7	76003-03700	Açık/Kapalı Valf	1
8	71210-02103	Kilit somunu	1

### 2.5 STANDART BURUN EKİPMANI

Aşağıdaki şekil 2'ye ve tabloya başvurun.

Öge	Parça Numarası	Açıklama	Miktar
1c	PRN614	Burun Parçası - 4,8 mm [3/16"] (Monteli)	1
1d	PRN811	Burun Parçası - 6,4 mm [1/4"]	1
1e	76003-15001	Burun Mahfazası	1
1f	07003-00067	O-Halkası	1
1g	DPN276-001	Çene kılavuzu	1
1h	PRG540-44	Çene	1 Set
1i	DPN276-006	Çene itici	1
1j	DPN900-060	O-Halkası	1
1k	DPN901-019	Çene İtici Yayı	1
1l	76003-15002	Çekme başlığı	1
1m	76003-15004	Çene kılavuzu kilidi	1
1n	DPN901-020	Yay	1
1o	76003-15003	Çekme başlığı adaptörü	1
1p	07003-00277	O-Halkası	1

Ek burun ekipmanı için lütfen ProSet® Burun Ekipmanı Kılavuzu 07900-09414'e başvurun veya [www.stanleyengineeredfastening.com/resource-center/document-library](http://www.stanleyengineeredfastening.com/resource-center/document-library) sayfasını ziyaret edin. Alet parçalarının tam listesi için ProSet Parça Kılavuzu 07900-09415'e başvurun.

\* Proset XT3 Temel Aleti (76003-01000) ve Proset XT4 Temel Aleti (76004-01000) ile burun ekipmanı verilmez.

### 3. ALET KURMASI

**ÖNEMLİ - KULLANMAYA BAŞLAMADAN ÖNCE, 6 - 8. SAYFADA YER ALAN GÜVENLİK UYARILARINI DİKKATLE OKUYUN.**

**ÖNEMLİ - UÇ AKSAMINI TAKMADAN VEYA ÇIKARMADAN ÖNCE HAVA BESLEMESİ KAPATILMALIDIR.**

#### 3.1 BURUN EKİPMANI (şekil 2'ye başvurun)

Koyu yazılmış parça numaraları, şekil 1 ve 2'de ve 11. sayfada yer alan tablolara işaret eder.

Komple alet, 4,8 mm [3/16"] perçin için burun parçası ile önceden monte edilmiş olarak tedarik edilecektir.

6,4 mm [1/4"] perçin için bir adet ilave Burun Parçası ayrıca sunulmaktadır.

#### Burun parçasını monte etme

- Hava kaynağı sökülmelidir.
- Takılacak perçin için doğru burun parçasını seçin.
- Burun mahfazasını çıkarın (**1e**), burun parçası dahil (**1a, b, c veya d**), ve O-halkasını (**1f**)
- Burun parçasını çıkarın (**1a, b, c veya d**), burun mahfazasından (**1e**)
- Burun parçasının ilgili boyunu seçin ve tersinden monte edin.

#### Burun ekipmanının tamamen çıkarılması.

- Hava kaynağı sökülmelidir.
- Aletten, burun mahfazasını çıkarın (**1e**), burun parçası dahil (**1a, b, c veya d**), ve O-halkasını (**1f**)
- Çene kılavuzu kilidini (**1m**) oka ters bir şekilde geri çekin (**1n**) ve sonra çene kılavuzunu kaldırın (**1g**).
- Çeneleri çıkarın (**1h**) çene kılavuzundan (**1g**).
- Çene iticini çıkarın (**1i**), O-halkasını (**1j**), ve çene itici yayını (**1k**), çekme başlığından (**1l**).
- Çekme başlığı düzeneğini çıkarın (**1q**) vida anahtarını kullanarak alet pistonundan

#### Burun ekipmanının tamamen monte edilmesi

- Hava kaynağı sökülmelidir.
- Yıpranmış veya hasarlı parçalar değiştirilmelidir.
- Çenelerdeki yıpranmaları kontrol edin ve giderin (**1h**).
- Çene iticinin (**1i**) veya çene itici yayının (**k**) bozulmamış olduğundan emin olun.
- Çeneleri, (**1h**) molibden lityumlu gresle hafifçe sarın.
- Çeneleri bırakın (**1h**) çene kılavuzundan (**1g**).
- Çene iticini takın (**1i**), O-halkasını (**1j**), çekme başlığından (**1l**).
- Çene kılavuzu kilidini geri çekin (**1m**) ve çene kılavuzunu, çekme başlığı üstüne (**1g**) tamamen vidalayın (**1l**).
- Çene kılavuzu kilidini serbest bırakın (**1m**) ve sonra çene kılavuzu kilidi (**1g**) dişleri çene kılavuzunun bir sonraki yarığına (**1m**) yerleşene kadar vidaları sökün (**1g**).
- Burun mahfazasını (**1e**) çene kılavuzunun üstüne yerleştirin (**1g**) ve alete tamamen sıkıştırın.

Burun aksamalarının bakımı haftalık aralıklarla yapılmalıdır. Burun tertibatının ve burun parçalarının tüm iç bileşenlerinin bir miktar stokunu tutmalısınız, düzenli olarak değiştirilmeleri gerekecektir.

#### 3.2 HAVA BESLEME (şekil 3'e başvurun)

Bileşenler

- Vanayı durdurun (Filtre / düzenli veya yağlanmış ünitelerin bakımı sırasında kullanılır)
- Basınç regülatörü ve filtresi (günlük boşaltma)
- Ana kaynak boşaltma noktası
- Noktayı ana kaynaktan çıkarın

- Tüm aletler, 5,0 bar minimum basınçlı hava ile çalışır.
- Ana hava kaynağında alete 3 metreye kadar mesafede basınç regülatörleri ve otomatik yağlama/filtreleme sistemleri kullanılacaktır (bkz. şekil 3).
- Hava besleme hortumlarının minimum etkin çalışma basıncı, hangisi daha yüksekse, en az sistemin ürettiği maksimum basıncın %150'si veya 10 bar olacaktır.

- Hava hortumları, yağa dayanıklı olmalı, dışları aşınmaya dirençli olmalı ve çalışma koşullarının hortumlarda hasara neden olabileceği yerlerde korumalı olmalıdır.
- Tüm hava hortumlarının iç çapı minimum 6.4 milimetre OLMALIDIR.
- Hava sızıntılarını kontrol edin. Hasar gören hortumlar ve bağlantılar, yenileriyle değiştirilmelidir.
- Basınç regülatöründe filtre yoksa, hortumu alete bağlamadan önce biriken su ve kirin temizlenmesi için hava hattına kuvvetlice üfleyin.

### 3.3 ÇALIŞMA PRENSİBİ

**DİKKAT - MONTAJ ALETİNİN DOĞRU ÇALIŞMASI İÇİN DOĞRU BASINÇ BESLENMELİDİR. DOĞRU BASINCIN KULLANILMAMASI, KİŞİSEL YARALANMAYA VEYA EKİPMANDA HASARA NEDEN OLABİLİR. BESLEME BASINCI, ÇAKMA ALETİ ÖZELLİKLERİNDE BELİRTİLEN DEĞERLERİ AŞMAMALIDIR.**

Koyu yazılmış parça numaraları, şekil 1 ve 2'de ve 11. sayfada yer alan tablolara işaret eder.

Pnömatik hortum yerleştirme aletine bağlandığında, takımın çekme ve dönüş döngüsü, tutma yerindeki tetiği (6) bastırarak ve bırakarak kontrol edilir.

- Hava kaynağı söküldü.
- Uygun burun ekipmanını Sayfa 10 ve 12'de açıklandığı gibi bağlayın.
- Pnömatik hortumu hava açık/kapalı valfine bağlayın (7).
- Pnömatik hortum ana hava kaynağını bağlayın.
- Aletteki ana beslemeleri, hava açık/kapalı valfini kaydırarak (7) yukarı pozisyonda açın.
- Hava artık alete verilir ve vakum sistemi çalışıyor demektir.
- Tetiği, işlemi kontrol etmek için birkaç kez aletin tam darbesine çekin (6) ve bırakın. Aletin hareketini gözlemleyin. Sıvıyı ve/veya hava sızıntılarını kontrol edin.



## 4. ÇALIŞMA PROSEDÜRLERİ

### 4.1 ALETİN ÇALIŞMASI (Şekil 1, 4, 5, 6'ya başvurun)

#### Kör perçin somunu takma

- Mandrel kolektörünün bağlanmış olduğundan (3) emin olun.
- Perçin mandrelini burun parçasına (1a, b, c veya d) yerleştirin. Vakum sistemi, burun parçasının içindeki perçini tutacaktır.
- Aleti yerleştirin.
- Burun ekipmanının çalışma için doğru açıda (90°) olduğundan emin olun.
- Perçin tam olarak ayarlanana kadar (6) tetiği çekin ve bırakın.
- Perçin tam olarak ayarlandığında tetiği serbest bırakın (6). Alet otomatik olarak ilk konumuna geri döner. Mandrel, vakum sistemi tarafından otomatik olarak (3) mandrel kolektörüne düşer.
- Mandrel kolektörü, yarısı dolduğunda boşaltılmalıdır.

**DİKKAT - PERÇİN MANDRELİNİN VEYA PERÇİN GÖVDESİNİN EKLEMESİNİ ZORLAMAYIN. BU, ALETTE VE/VEYA PARÇALARA ZARAR VERİR.**

### 4.2 MANDREL KOLEKTÖRÜNÜ BOŞALTMA (Şekil 1'e başvurun)

#### DİKKAT - MANDREL KOLEKTÖRÜ ÇIKARILMADAN ALETİ KULLANMAYIN

- Alet mandrel kolektörüne hızlı bağlanmış/serbest bırakılmış durumda (3).
- 60° derecelik bir açı mandrel kolektörünü kaldırır veya değiştirir.
- Mandrel kolektörünü aletten (3) otomatik olarak ayırmak, vakum perçin tutma ve mandrel çıkarma sistemini KAPATIR.
- Mandrel kolektörünü yeniden montelemek vakum sistemini AÇAR.

## 5. ALET BAKIMI

### 5.1 BAKIM SIKLIĞI

Eğitilmiş personel tarafından düzenli bakım yapıp 500.000 döngüde veya yılda bir kapsamlı muayene yapılmalıdır.



HAVA BESLEMESİNİ AYIRIN



**DİKKAT-** Aletin metalik olmayan parçalarını temizlemek için asla çözücü veya başka sert kimyasal kullanmayın.

*Bu kimyasallar bu parçalarda kullanılan malzemeleri güçsüzleştirir.*

### 5.2 BURUN EKİPMANI

Uç aksamlarının bakımının haftalık olarak veya 5.000 devirde bir yapılması gerekir. Burun tertibatının ve burun parçalarının tüm iç bileşenlerinin bir miktar stokunu tutun, düzenli değiştirilmesi gerekir.

- Hava beslemesini ayırın
- Bölüm 3.1'de açıklanan prosedüre göre burun aksamının tamamını çıkarın.
- Bütün bileşenleri kontrol edin. Yıpranmış veya hasarlı parçalar yeni bir parçayla değiştirilmelidir.
- Çenelerdeki yıpranmaları özellikle kontrol edin (**1h**).
- Bütün parçaları temizleyin ve çenelere molibden lityumlu gres (07992-00020) uygulayın(**1h**) ve çene kılavuzunun konik delmesine (**1g**).
- Bölüm 3.1'deki montaj talimatları doğrultusunda monte edin.

### 5.3 GÜNLÜK BAKIM

- Kullanmadan önce aleti, hortumu ve kaplinleri hava kaçaqları ve yağ sızıntıları açısından kontrol edin. Hasarlıysa, aletin çalışmasını durdurun ve etkilenen parçaları yeni parçalarla değiştirin.
- Basınç regülatöründe filtre yoksa, hortumu alete bağlamadan önce biriken su ve kirin temizlenmesi için hava hattına kuvvetlice üfleyin. Filtre varsa, boşaltın.
- Burun ekipmanının (1) yerleştirilmek ve monte edilmesi için perçin için uygun olduğunu kontrol edin.
- Aletin darbesinin minimum şartları yerine getirip getirmediğini kontrol edin (2.1'e başvurun).
- Mandrel kolektörü (3) alete monte edilmelidir.
- Hava haznesinin takım gövdesi üzerine tam olarak sıkıştırıldığını kontrol edin.

### 5.4 HAFTALIK BAKIM

- Aleti, hortumu ve kaplinleri hava kaçaqları ve yağ sızıntıları açısından kontrol edin. Hasarlıysa, aletin çalışmasını durdurun ve etkilenen parçaları yeni parçalarla değiştirin.

Komple servis, sorun giderme ve bakım talimatları için lütfen XT3 için Hizmet Kılavuzu No. 07900-09410 ve XT4 için 07900-09411'e başvurun.

Alette kullanılan gres ve yağla bağlantılı Güvenlik Verileri için lütfen Hizmet Kılavuzu No. 07900-09410, XT3 için ve XT4 için 07900-09411'e başvurun.

### 5.5 ÇEVRENİN KORUNMASI

Yürürlükteki bertaraf etme yönetmeliklerine uygunluğu sağlayın. Personeli ve çevreyi tehlikeye maruz bırakmak için tüm atık ürünleri onaylanmış bir atık tesisi veya sahasında bertaraf edin.

## 6. AB UYGUNLUK BEYANI

Biz, **Stanley Engineered Fastening, Stanley House, Works Road, Letchworth Garden City, Hertfordshire, SG6 1JY BİRLEŞİK KRALLIK** olarak, sadece bizim yükümlülüğümüz altında olmak üzere aşağıdaki ürünle ilgili beyanda bulunuyoruz:

**Açıklama:**

**ProSet® XT3 ve ProSet® XT4 Kör Perçinler için Hidro-Pnömatik aletler**

**Model:**

**POP-Avdel® / 76003 ve POP-Avdel® / 76004**

ürünü, uyumlu hale getirilmiş aşağıdaki standartların gerekliliklerini karşılamaktadır:

ISO 12100:2010	EN ISO 3744:2010
EN ISO 11202:2010	EN ISO 11148-1:2011
EN ISO 4413:2010	BS EN 28662-1:1993
EN ISO 4414:2010	EN ISO 20643:2008+A1:2012
EN ISO 28927-5:2009+A1:2015	ES100118-rev 17:2017

Teknik belge aşağıdaki Yönetmelik uyarınca, Ek 1 bölüm 1.7.4.1 ile uyumludur:

### **2006/42/EC Makine Yönetmeliği**

(Kanun Hükmündeki Kararname 2008 No 1597 - Makine Temini (Güvenlik) Yönetmelikleri tarafından ifade edilir).

Aşağıda imzası bulunanlar bu beyanı STANLEY Engineered Fastening adına yapar.



**A. K. Seewraj**

**Mühendislik Birimi Direktörü, BK**

Avdel UK Limited, Stanley House, Works Road, Letchworth Garden City, Hertfordshire,  
SG6 1JY BİRLEŞİK KRALLIK

**Düzenlendiği Yer:**

**Letchworth Garden City, BK**

**Düzenleme Tarihi:**

**01-13-2017**

Aşağıda imzası bulunan kişi, Avrupa Birliğinde satılan ürünler için teknik dosyanın hazırlanmasından sorumlu-  
dur ve bu beyanı Stanley Engineered Fastening adına yapmaktadır.

**Matthias Appel**

**Teknik Dokümantasyon Takım Lideri**

Stanley Engineered Fastening, Tucker GmbH, Max-Eyth-Str.1,  
35394 Gießen, Almanya



**Bu makine, Makine Yönetmeliği  
2006/42/EC ile uyumludur**

## 7. BK UYGUNLUK BEYANI

Biz, **Stanley Engineered Fastening, Stanley House, Works Road, Letchworth Garden City, Hertfordshire, SG6 1JY BİRLEŞİK KRALLIK** olarak, sadece bizim yükümlülüğümüz altında olmak üzere aşağıdaki ürünle ilgili beyanda bulunuyoruz:

**Açıklama:**

**ProSet® XT3 ve ProSet® XT4 Kör Perçinler için Hidro-Pnömatik aletler**

**Model:**

**POP-Avdel® / 76003 ve POP-Avdel® / 76004**

ürünü, tanımlanmış aşağıdaki standartların gerekliliklerini karşılamaktadır:

ISO 12100:2010	EN ISO 3744:2010
EN ISO 11202:2010	EN ISO 11148-1:2011
EN ISO 4413:2010	BS EN 28662-1:1993
EN ISO 4414:2010	EN ISO 20643:2008+A1:2012
EN ISO 28927-5:2009+A1:2015	ES100118-rev 17:2017

Teknik dokümantasyon, Makine Tedarik (Güvenlik) Yönetmelikleri 2008, S.I. 2008/1597 (değiştirildiği şekliyle) uyarınca derlenmiştir.

Aşağıda imzası bulunanlar bu beyanı STANLEY Engineered Fastening adına yapar.



**A. K. Seewraj**

**Mühendislik Birimi Direktörü, BK**

Avdel UK Limited, Stanley House, Works Road, Letchworth Garden City, Hertfordshire,  
SG6 1JY BİRLEŞİK KRALLIK

**Düzenlendiği Yer:**

**Letchworth Garden City, BK**

**Düzenleme Tarihi:**

**01-13-2017**



**Bu makine aşağıdaki direktifle uyumludur**  
**Makine Temini (Güvenlik) Düzenlemeleri 2008,**  
**S.I. 2008/1597 (değiştirildiği şekliyle) ile uyumludur**

## 8. YATIRIMINIZI KORUYUN!

### 8.1 POP'AVDEL' KÖR PERÇİN ALETİ GARANTİSİ

STANLEY Engineered Fastening, tüm elektrikli aletlerinin dikkatli şekilde üretildiğini ve bunların bir (1) yıl boyunca normal kullanım ve servis altında malzeme veya işçilikten kaynaklanan bir bozukluk göstermeyeceğini garanti etmektedir.

Bu garanti, aletin orijinal kullanımı için ilk satın alınışı için geçerlidir.

#### **İstisnalar:**

##### **Normal yıpranma ve aşınma.**

Düzenli bakım, tamir ve normal yıpranma ve aşınma sebepli parçaların değiştirilmesi, bu garantinin kapsamında değildir.

##### **Suistimal ve İstismar.**

Yanlış kullanım, depolama, kötü amaçlı veya hatalı kullanım, kaza veya ihmal sonucu ortaya çıkan fiziksel hasar gibi arıza veya hasarlar, bu garantinin kapsamı dışındadır.

##### **Yetkisiz Servis veya Tadilat.**

STANLEY Engineered Fastening veya yetkili servis merkezleri dışında birinin gerçekleştirdiği servis, test ayarlaması, kurulum, bakım, değişiklik veya tadilattan ortaya çıkan bozukluklar ve hasarlar, bu garantinin kapsamında değildir.

Buradaki sebepler için, tüm pazarlanabilirlik ve elverişlilik garantileri dahil ifade edilen veya ima edilen tüm diğer garantiler bundan böyle kabul edilmemektedir.

Bu aletin garantiyi karşılamaması durumunda, aleti derhal size en yakın fabrika yetkili servis merkezine gönderin. ABD ve Kanada'da bulunan POP'Avdel' Yetkili Servis Merkezlerinin listesi için, ücretsiz (877)364 2781 numarasından bize ulaşın.

ABD ve Kanada dışındaysanız, size en yakın STANLEY Engineered Fastening için **www.StanleyEngineeredFastening.com** web sitesini ziyaret edin.

Bu durumda STANLEY Engineered Fastening hatalı malzeme veya işçilik sebepli olduğu belirlenen bozuk parça veya parçaları ücretsiz olarak değiştirecek ve ücretsiz olarak geri gönderecektir. Bu, bizim bu garanti içindeki tek yükümlülüğümüzü temsil etmektedir.

STANLEY Engineered Fastening hiçbir durumda bu aletin satın alınması veya kullanılmasından ortaya çıkan dolaylı veya özel hasarlardan sorumlu tutulmayacaktır.

### 8.2 KÖR PERÇİN ALETİNİZİ İNTERNET ÜZERİNDEN KAYIT EDİN.

Garanti kaydınızı çevirimici olarak yapmak için aşağıdaki adresi ziyaret edin

<http://www.stanleyengineeredfastening.com/popavdel-powertools/warranty-card>.

STANLEY Engineered Fastening tarafından üretilen bir POP'Avdel' Marka aleti seçtiğiniz için teşekkür ederiz.

**STANLEY**  
Engineered Fastening

**STANLEY Engineered Fastening**

STANLEY House, Works Road  
Letchworth Garden City  
Hertfordshire, United Kingdom  
SG6 1JY  
Tel: +44 1582 900 000  
Fax: +44 1582 900 001



## Holding your world together®

Find your closest STANLEY Engineered Fastening location on  
[www.stanleyengineeredfastening.com/contact](http://www.stanleyengineeredfastening.com/contact)  
For an authorized distributor nearby please check

[www.stanleyengineeredfastening.com/econtact/distributors](http://www.stanleyengineeredfastening.com/econtact/distributors)

Manual Number	Issue	C/N
07900-09405	E	21/082

**STANLEY**  
Assembly Technologies

Stanley Engineered Fastening — a division of Stanley Black and Decker — is the global leader in precision fastening and assembly solutions. Our industry-leading brands, Avdel®, Integra™, Nelson®, Optia™, POP®, Stanley® Assembly Technologies, and Tucker®, elevate what our customers create. Backed by a team of passionate and responsive problem-solvers, we empower engineers who are changing the world.

**STANLEY ENGINEERED FASTENING FAMILY OF BRANDS**

**AVDEL**

**INTEGRA**

**NELSON**

**OPTIA**

**POP**

**STANLEY**  
Assembly Technologies

**TUCKER**